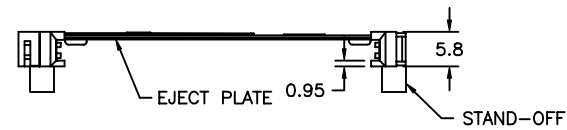
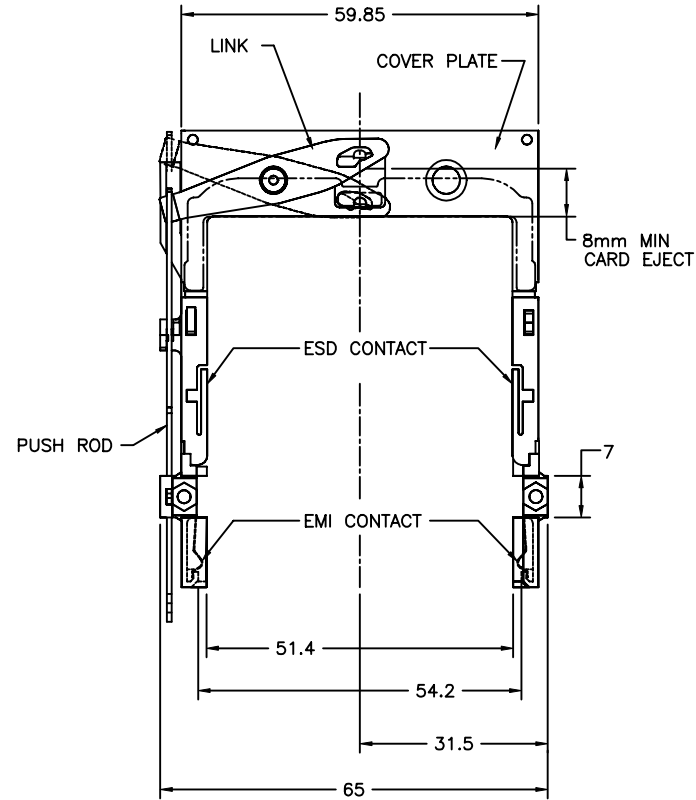
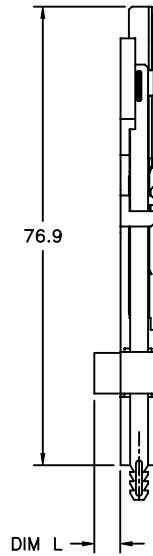


Tous droits strictement reserves. Reproduction ou communication a des tiers interdite sous quelque forme que ce soit sans autorisation ecrite du proprietaire. Propriete de c FCI. Droits de reproduction FCI.

All rights strictly reserved. Reproduction or issue to third parties in any form whatever is not permitted without written authority from the proprietor. Property of FCI. Copyright FCI.

PRODUCT NO.	STAND-OFF DIM L
58449-100	0.0
58449-143	4.3
58449-122	2.2
58449-150	5.0



NOTES:

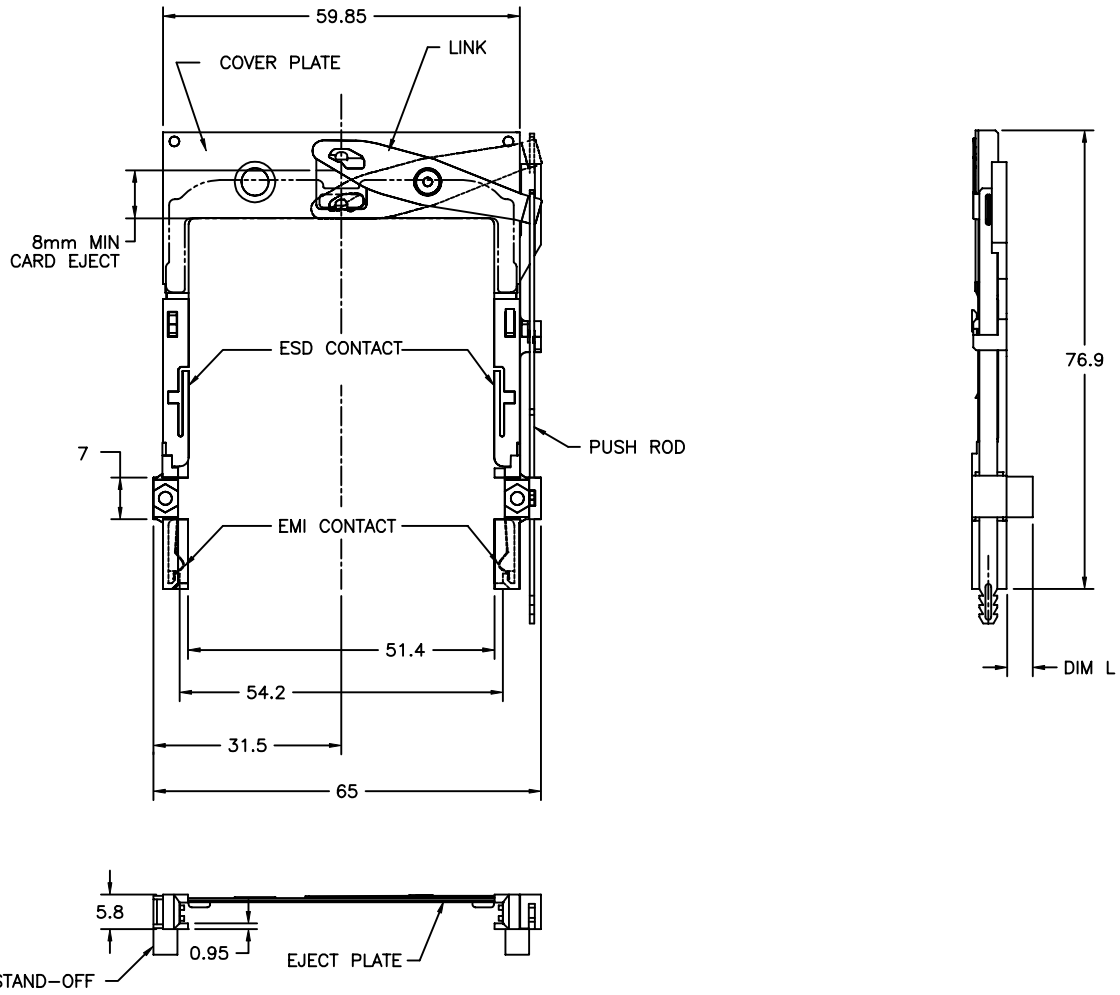
- EJECT PLATE TO MOVE ALONG INSIDE WALL OF COVER PLATE SMOOTHLY AFTER ASSEMBLING WITH HEADER.
- MATERIAL:
 PLASTIC GUIDES: POLYPHTHARAMIDE UL94V-0 BLACK
 COVER PLATE, EJECT PLATE, EJECT LINK, PUSH ROD: STAINLESS STEEL
 EMI CONTACT: PHOSPHOR BRONZE
- FINISH:
 EMI CONTACT:
 CONTACT AREA: 0.5um Au
 UNDER PLATING: 2.0um Ni
- RECOMMENDED SCREW TORQUE: 1.0 TO 1.5 MAX in-lbs. (1.2-1.7 cm-kgs).
 RECOMMENDED HOLD DOWN 2mm SCREWS (95121) AND NUTS (92869).

mat'l. code				tolerances unless otherwise specified		CUSTOMER COPY		FCI Electronics	
ltr	ecn no	dr	date	linear	.XX±.3	projection	www.fciconnect.com		
A	V20295	LP	2/7/02		.XX±.13		title		
				angles	.XXX±.051		FRONT EJECT MECHANISM WITHOUT PUSH BUTTON		
				dr	L.POTTEIGER 2/7/02		product family		code
				enr	D.BRANN 2/7/02		MCS		213
				chr	D.BRANN 2/7/02		size		sheet
				appd	D.BRANN 2/7/02		dwg no		1 of 2
sheet index	revision sheet	A	A			scale	A4	58449	
		1	2			1/1			

Tous droits strictement reserves. Reproduction ou communication a des tiers interdite sous quelque forme que ce soit sans autorisation ecrite du proprietaire. Propriete de c FCI. Droits de reproduction FCI.

All rights strictly reserved. Reproduction or issue to third parties in any form whatever is not permitted without written authority from the proprietor. Property of FCI. Copyright FCI.

PRODUCT NO.	STAND-OFF DIM L
58449-000	0.0
58449-043	4.3
58449-022	2.2
58449-050	5.0



mat'l. code				tolerances unless otherwise specified		CUSTOMER COPY		 FCI www.fciconnect.com		
ltr	ecn no	dr	date	linear	.X±.3	projection		title		
A					.XX±.13			FRONT EJECT MECHANISM WITHOUT PUSH BUTTON		
				angles	.XXX±.051		MM	product family		
				dr	0° ±2°			MCS	code	
				enr	L.POTTEIGER 2/7/02	scale	1/1	size		
				chr	D.BRANN 2/7/02			A4	58449	
				appd	D.BRANN 2/7/02			sheet		
sheet index	revision sheet								2 of 2	

ACAD

PDM: Rev:A

3 STATUS Released 22526
 cage code
 4 Printed Oct 12, 2010