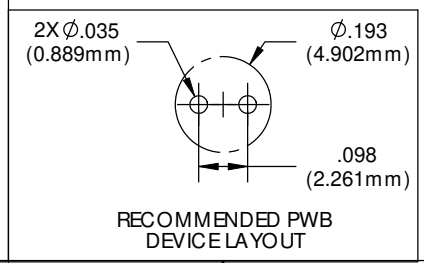
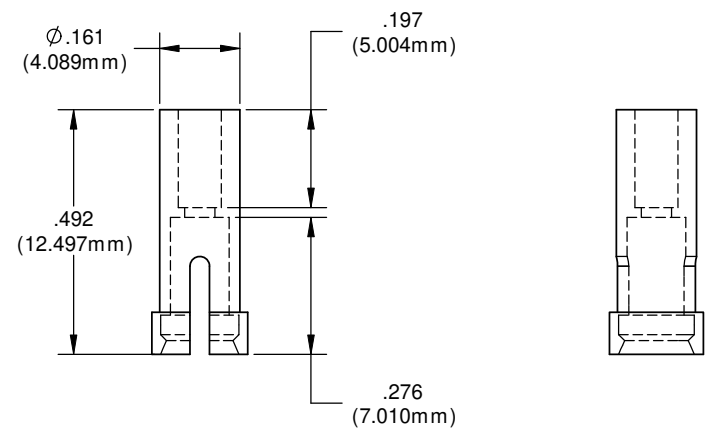
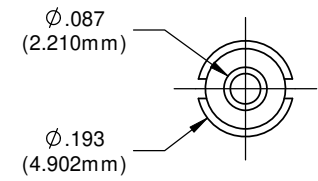
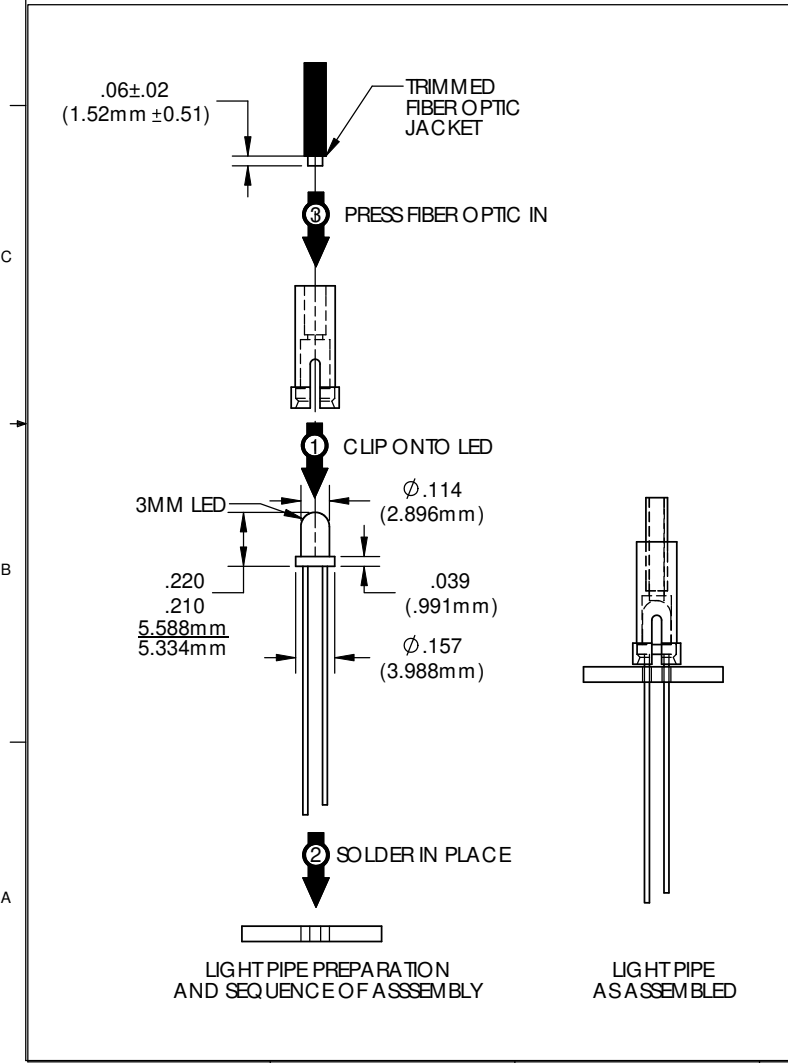


8 7 6 5 4 3 2 1

- NOTES
1. ROHS COMPLIANT.
 2. UL 94V-2 FLAMMABILITY RATING.
 3. -40°C TO 85°C OPERATING TEMPERATURE
 4. SUITABLE FOR LIGHT PIPE WITH Ø2.2MM JACKET AND OPTICAL CORE NO GREATER THAN Ø1.5MM.
 5. DO NOT WAVE SOLDER WITH THIS DEVICE.
 6. FOR BEST RESULTS USE ONLY NARROW VIEWING ANGLE NON-DIFFUSED LEDS WITH OUTPUT POWER GREATER THAN 100mcd.

| REVISIONS | | | | |
|-----------|-----|----------------------------|---------|----------|
| ECN # | REV | DESCRIPTION | DATE | INITIALS |
| 176 | 001 | INITIAL RELEASE | 8/3/10 | KH |
| 200 | 002 | REVISED PER ECR 100610KH01 | 10/6/10 | KH |



| | | | | |
|--|-----------------------|--|---------------------------|----------------------------------|
| <small>UNLESS OTHERWISE SPECIFIED DIMENSIONS ARE IN INCHES</small> ANGLES DECIMALS $\pm 1/2^\circ$.X $\pm .020$ FINISH .XX $\pm .010$.XXX $\pm .005$ 125 <small>SHARP ALL CORNERS AND SHARP EDGES UNLESS NOTED</small> | MATERIAL | VISUAL COMMUNICATIONS COMPANY, INC. 190 Bossick Boulevard, Suite 101 San Marcos, CA 92069 USA Phone (760) 560-1300 Fax (760) 560-1301 email vccsales@vccite.com | | |
| | NYLON 6/6 UL 94-V2 | TITLE: THROUGH-HOLE LED MOUNT | | |
| | SEE NOTES | APPROVAL DRAWN K.Howard CHECKED DPZ | DATE 8/3/10 8/10/10 | SIZE DWG. NO. B THR 22 |
| | DO NOT SCALE DRAWING | SCALE: 4:1 | SHEET 1 OF 1 | REV 002 |

8 7 6 5 4 3 2 1