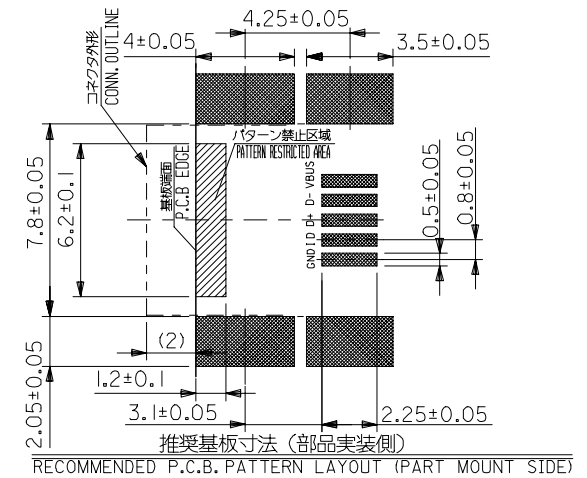
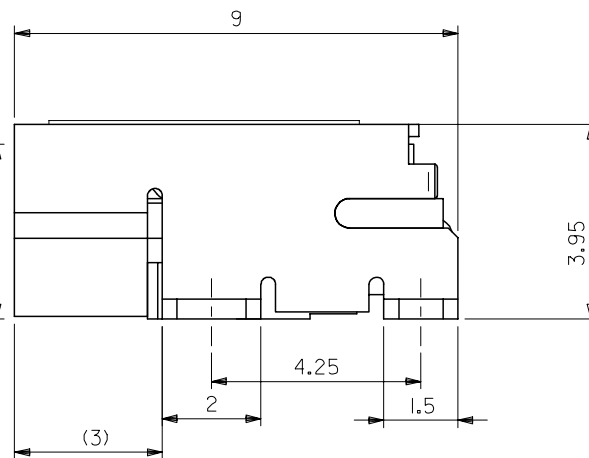


注記 1. 材質
 NOTES MATERIAL
 ハウジング: LCP(LIQUID CRYSTAL POLYMER) 黒色, UL94V-0
 HOUSING: LCP(LIQUID CRYSTAL POLYMER) BLACK, UL94V-0
 ターミナル: 銅合金 (t=0.2)
 TERMINAL: COPPER ALLOY (t=0.2)
 シールド ケース: 銅合金 (t=0.4)
 SHIELD CASE: COPPER ALLOY (t=0.4)
 カバー テープ: ポリイミド (t=0.08)
 COVER TAPE: POLYIMIDE (t=0.08)

- メッキ仕様
 PLATING
 ターミナル
 TERMINAL
 接点部: 金メッキ 0.75 μm MIN.
 CONTACT AREA: GOLD 0.75 MICRO METER MIN.
 半田付け部: 錫メッキ 1 μm MIN.
 SOLDER TAIL AREA: TIN 1 MICRO METER MIN.
 下地部: ニッケルメッキ 4 μm MIN.
 UNDER PLATING: NICKEL 4 MICRO METER MIN.
 シールド ケース
 SHIELD CASE
 : 錫メッキ 1 μm MIN.
 : TIN 1 MICRO METER MIN.
 下地部: ニッケルメッキ 4 μm MIN.
 UNDER PLATING: NICKEL 4 MICRO METER MIN.
- テール、ネール平坦度は 0.1 mm MAX.
 TAIL, NAIL COPLANARITY 0.1mm MAX.
- 本製品は 54819-0571, 1571 の鉛フリー品である。
 THIS PRODUCT IS LEAD FREE OF 54819-0571, 1571.



54819-1579	MATERIAL NO.
54819-***79	MODEL NO.

REVISED EC NO: J2006-1106 DRWN: YANAGI MOTO 2005/10/05 CHKD: TANAKA 2005/10/06 APPR: NUKITA 2005/10/13	GENERAL TOLERANCES (UNLESS SPECIFIED)		DIMENSION STYLE MM ONLY		SCALE ---	DESIGN UNIT'S METRIC	THIRD ANGLE PROJECTION
	10 UNDER	± 0.2	DRAWN BY M. NINOMIYA	DATE 2004/02/16	TITLE USB SERIES MINI-B RECEPTACLE ASS'Y FOR SMT -LEAD FREE-		
	10 OVER 30 UNDER	± 0.25	CHECKED BY K. TOJO	DATE 2004/02/16	MOLEX MOLEX INCORPORATED		
	30 OVER	± 0.3	APPROVED BY M. SASAO	DATE 2004/02/16	MATERIAL NO. SEE CHART	DOCUMENT NO. SD-54819-024	SHEET NO. 1 OF 2
REV B	DRAFT WHERE APPLICABLE MUST REMAIN WITHIN DIMENSIONS		SIZE A3	THIS DRAWING CONTAINS INFORMATION THAT IS PROPRIETARY TO MOLEX INCORPORATED AND SHOULD NOT BE USED WITHOUT WRITTEN PERMISSION			

10 9 8 7 6 5 4 3 2 1

F

F

E

E

D

D

C

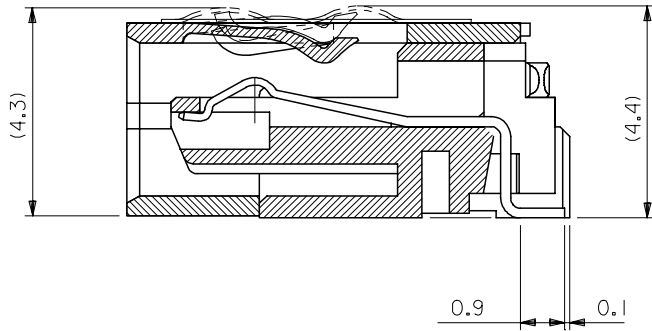
C

B

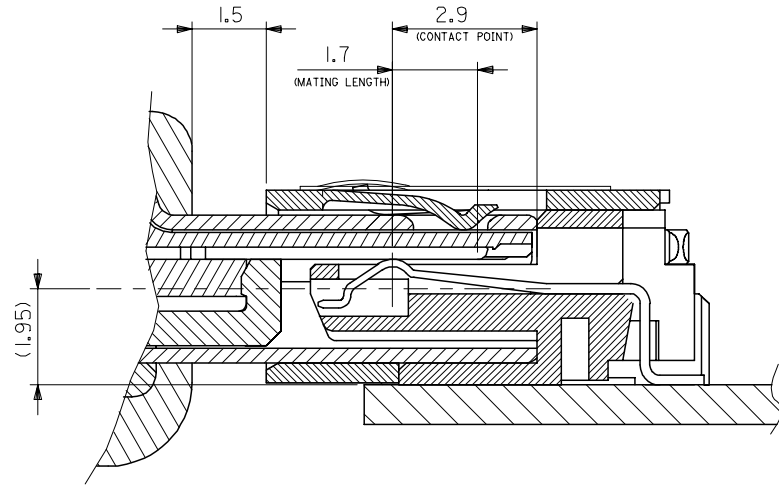
B

A

A



SECTION

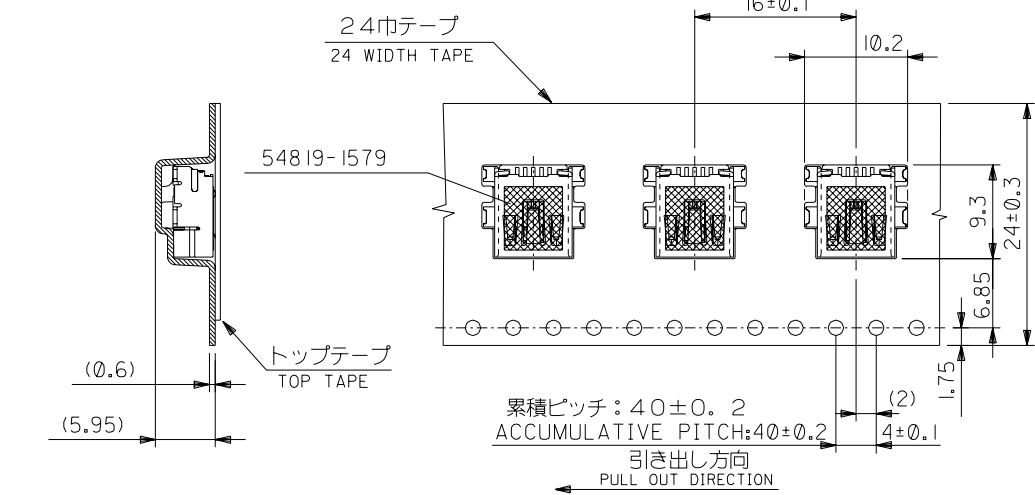
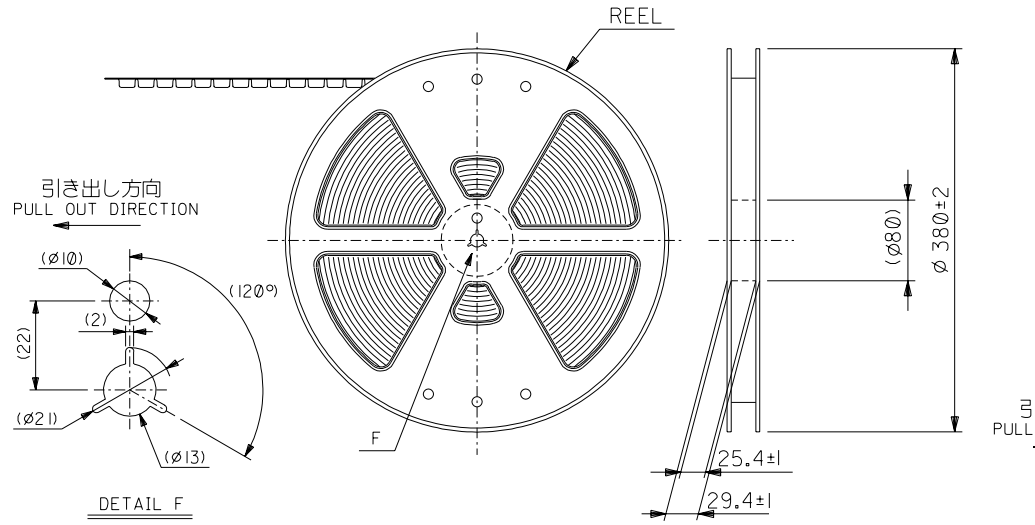


MATING

54819-1579	MATERIAL NO.
54819-***79	MODEL NO.

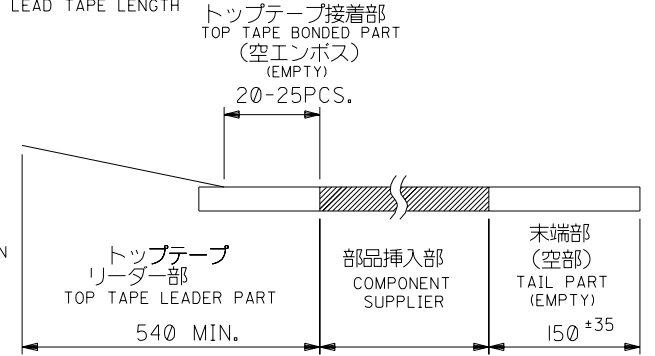
REVISED EC NO: J2006-1106 DRWN: YANAGI MOTO 2005/10/05 CHKD: TANAKA 2005/10/06 APPR: NUKITA 2005/10/13	GENERAL TOLERANCES (UNLESS SPECIFIED)		DIMENSION STYLE MM ONLY	SCALE ---	DESIGN UNITS METRIC	THIRD ANGLE PROJECTION	
	10 UNDER ±0.2	10 OVER 30 UNDER ±0.25	DRAWN BY M. NINOMIYA	DATE 2004/02/16	TITLE USB SERIES MINI-B RECEPTACLE ASS'Y FOR SMT -LEAD FREE-		
	30 OVER ±0.3	ANGULAR ±3 °	CHECKED BY K. TOJO	DATE 2004/02/16	MOLEX INCORPORATED		
	DRAFT WHERE APPLICABLE MUST REMAIN WITHIN DIMENSIONS		APPROVED BY M. SASAO	DATE 2004/02/16	MATERIAL NO. SEE CHART	DOCUMENT NO. SD-54819-024	SHEET NO. 2 OF 2

DWG. NO. SD-54819-025

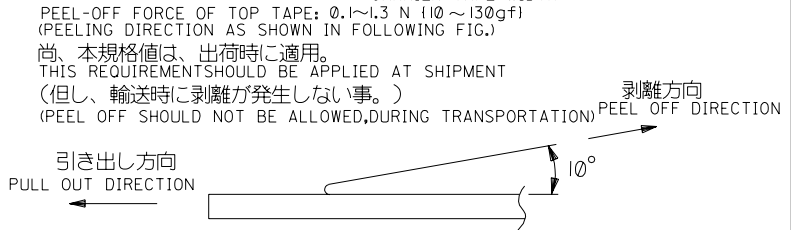


NOTES

- 54819-1579の詳細はSD-54819-024参照
IN THE PACKAGE PART NO.54819-1579 DETAILED, SEE SD-54819-024
- 梱包数量: 800 個/リール
NUMBER OF CONNECTORS: 800 PCS/REEL
- リードテープ長さ
LEAD TAPE LENGTH



- トップテープの剥離強度: 0.1 ~ 1.3 N (10 ~ 130gf)
(剥離方向は下図参照) キャリアテープ幅: 24mm
PEEL-OFF FORCE OF TOP TAPE: 0.1~1.3 N (10~130gf)
(PEELING DIRECTION AS SHOWN IN FOLLOWING FIG.)
尚、本規格値は、出荷時に適用。
THIS REQUIREMENT SHOULD BE APPLIED AT SHIPMENT
(但し、輸送時に剥離が発生しない事。)
(PEEL OFF SHOULD NOT BE ALLOWED, DURING TRANSPORTATION)



- 材料
MATERIAL
キャリアテープ: ポリプロピレン
CARRIER TAPE: POLYPROPYLENE
トップテープ: ポリエステル, ポリエチレン
TOP TAPE: POLYESTER, POLYETHYLENE
リール: ポリスチレン
REEL: POLYSTYRENE

- 本製品は 54819-0578, 1578 の鉛フリー品である。
THIS PRODUCT IS LEAD FREE OF 54819-0578, 1578.

エンボステープ内の製品の向き
DIRECTION OF CONNECTOR IN EMBOSSED TAPE

DO NOT SCALE DRAWING

164 NO. DRWN: CH'K: APPR: 163 NO. DRWN: CH'K: APPR: 162 NO. DRWN: CH'K: APPR:	REVISED 161 NO. J2004-2727 DRWN: M. NINOMIYA '04/02/27 CH'K: K. TOJO '04/02/27 APPR: M. SASAO '04/02/27 RELEASED 160 NO. J2004-2408 DRWN: M. NINOMIYA '04/02/13 CH'K: K. TOJO '04/02/13 APPR: M. SASAO '04/02/13	MATERIAL 材料 SEE NOTES FINISH 仕上げ # WIRE RANGE 適用線径範囲 # INS. RANGE 被覆外径 #	GENERAL TOLERANCES: (UNLESS SPECIFIED) 一般公差 10 UNDER 未満 ±0.2 10 OVER 30 UNDER 未満 ±0.25 30 OVER 以上 ±0.3 ANGLE 角度 ±3°	54819-72 SCALE 1:1 DESIGN UNITS mm □ INCH	MODEL NO. 45° 2θ PROJECTION	DIMENSIONS: □ mm □ INCH □ mm □ INCH □ mm ONLY	MATERIAL NO. SHT REV 1 OF 1
				DRAWN BY & DATE M. NINOMIYA '04/02/13 CHECKED BY & DATE K. TOJO '04/02/13 APPROVED BY & DATE H. Sasaki '04/02/13 CAD FILENAME SD-54819-025.S01	TITLE: USB SERIES MINI-B REC. HS'G EMBOSSED ASS'Y -LEAD FREE-	MOLEX MOLEX INCORPORATED MATERIAL NO. SEE CHART	DRAWING NO. SD-54819-025

54819-72 SCALE 1:1 DESIGN UNITS mm □ INCH	MODEL NO. 45° 2θ PROJECTION	DIMENSIONS: □ mm □ INCH □ mm □ INCH □ mm ONLY	MATERIAL NO. SHT REV 1 OF 1
DRAWN BY & DATE M. NINOMIYA '04/02/13 CHECKED BY & DATE K. TOJO '04/02/13 APPROVED BY & DATE H. Sasaki '04/02/13 CAD FILENAME SD-54819-025.S01	TITLE: USB SERIES MINI-B REC. HS'G EMBOSSED ASS'Y -LEAD FREE-	MOLEX MOLEX INCORPORATED MATERIAL NO. SEE CHART	DRAWING NO. SD-54819-025

THIS DRAWING CONTAINS INFORMATION THAT IS PROPRIETARY TO MOLEX INCORPORATED AND SHOULD NOT BE USED WITHOUT WRITTEN PERMISSION. SIZE B