


⚠ Safety Precautions


- Important Notes on exporting this product or equipment containing this product;
If the end-user or application of this product is related to military affairs or weapons, its export may be controlled by "Foreign Exchange and Foreign Trade Control Law" of Japan where export license will be required before product can be exported from Japan.
- This product is designed and manufactured for use in General Purpose Industrial Equipment and it is not intended to be used in equipment or system that may cause personal injury or death.
- All servicing such as installation, wiring, operation, maintenance and etc., should be performed by qualified personnel only.
- Tighten mounting screws with an adequate torque by taking into consideration strength of the screws and the characteristics of material to which the product will be mounted. Over tightening can damage the screw and/or material; under tightening can result in loosening.
*Example: apply 2.7 N·m – 3.3 N·m torque when tightening steel screw (M5) to steel surface.
- Install safety equipment to prevent serious accidents or loss that is expected in case of failure of this product.
- Consult us before using this product under such special conditions and environments as nuclear energy control, aerospace, transportation, medical equipment, various safety equipments or equipments which require a lesser air contamination.
- We have been making the best effort to ensure the highest quality of our products, however, some applications with exceptionally large external noise disturbance and static electricity, or failure in input power, wiring and components may result in unexpected action. It is highly recommended that you make a fail-safe design and secure the safety in the operative range.
- If the motor shaft is not electrically grounded, it may cause an electrolytic corrosion to the bearing, depending on the condition of the machine and its mounting environment, and may result in the bearing noise. Checking and verification by customer is required.
- Failure of this product depending on its content may generate smoke of about one cigarette. Take this into consideration when the application of the machine is clean room related.
- Please be careful when using the product in an environment with high concentrations of sulfur or sulfuric gases, as sulfuration can lead to disconnection from the chip resistor or a poor contact connection.
- Do not input a supply voltage which significantly exceeds the rated range to the power supply of this product. Failure to heed this caution may lead to damage of the internal parts, causing smoke and/or fire and other troubles.
- The user is responsible for matching between machine and components in terms of configuration, dimensions, life expectancy, characteristics, when installing the machine or changing specification of the machine. The user is also responsible for complying with applicable laws and regulations.
- Manufacturer's warranty will be invalid if the product has been used outside its stated specifications.
- Component parts are subject to minor change to improve performance.
- Read and observe the instruction manual to ensure correct use of the product.

Repair	Consult to the dealer from whom you have purchased this product for details of repair work. When the product is incorporated to the machine you have purchased, consult to the machine manufacturer or its dealer.
URL	Electric data of this product (Instruction Manual, CAD data) can be download from the following web site; < http://industrial.panasonic.com/ww/products/motors-compressors/fa-motors >

Contact to :



ISO9001
Certificate
division



ISO14001
Certificate
division

Panasonic Corporation,
Automotive & Industrial Systems Company,
Electromechanical Control Business Division,
Motor Business Unit

1-1 Morofuku 7-chome, Daito, Osaka 574-0044, Japan
Tel : +81-72-871-1212
Fax: +81-72-870-3151

The contents of this catalog apply to the products as of April 2016.

• Printed colors may be slightly different from the actual products.
• Specifications and design of the products are subject to change without notice for the product improvement.

COMPACT AC GEARED MOTOR



COMPACT AC GEARED MOTOR



Table of Contents

Information

• Information contained in the catalog	A- 2
• Product list	A- 4
• Selection by keywords	A- 24
• Product Type Contents	
Motor	A- 28
Gear head	A- 29
Speed controller	A- 30
Brake unit	A- 30
Special (produced to custom order)	A- 31
• Terminology	
Motor	A- 32
Gear head	A- 34
• Handling instructions	A- 35
• Motor selection	A- 46
• Safety standard approved motor	A- 57

Motors

• Induction motor	B- 1
• Reversible motor	B- 63
• 3-phase motor	B-125
• Electromagnetic brake motor	B-167
• Variable speed induction motor	B-223
• Variable speed reversible motor	B-267
• Variable speed electromagnetic brake single-phase motor	B-309
• Variable speed unit motor	B-323
• C&B motor	B-341
• 2-pole round shaft motor	B-405
• Gear head	B-431
• Gear head -Inch (U.S.A.)	B-449

Controls

• Speed controller	C- 1
• Brake unit	C- 31

Options/Index

• Options	D- 1
• Index	D- 8

Information contained in the catalog

Configuration and contents of catalog

Configuration

The catalog is divided into the following sections.



• **Information** ➔ A-2 to A-60
Information on product selection, terms used in this catalog, handling precautions and safety standards.

• **Product description**
<Motors> ➔ B-1 to B-456
List of motors and gear heads

<Controls> ➔ C-1 to C-56
Control related products

• **Options & index** ➔ D-1 to D-16
List of options. Index sorted by parts number. (Alphabetical order)

Information

• **Product list**
List of motors and gear heads
➔ A-4

• **Search by keyword**
Objective product can be found by using keywords (function, specification).
➔ A-24

• **Product Type Contents**
List of all product families introduced in this catalog.
➔ A-28

• **Terminology**
Description of terms used in this catalog.
➔ A-32

• **Handling instructions**
Description of special precautions and handling techniques that must be implemented to assure product performance.
➔ A-35

• **Motor selection**
Guidance to select the most suitable motor for the application.
➔ A-46

• **Safety standard approved motor**
Outline of product safety standards referenced in this catalog.
➔ A-57

Product outline

The product is briefly described by using the following information and data.

- Overview, system block diagram, part No. description, product-specific information
- Model list
- Product information for each model

Product description / Conversion Table

Description of product

A Index

- Each series is color coded.

Motors

Controls

- Classification is made in terms of function.

B Size and output

- Indicates the size and output shown on the page.

C Footer

- Indicates the page(s) on which related products and information are found.

Product information (D to I)

- The facing page contains product specifications.

D Specification

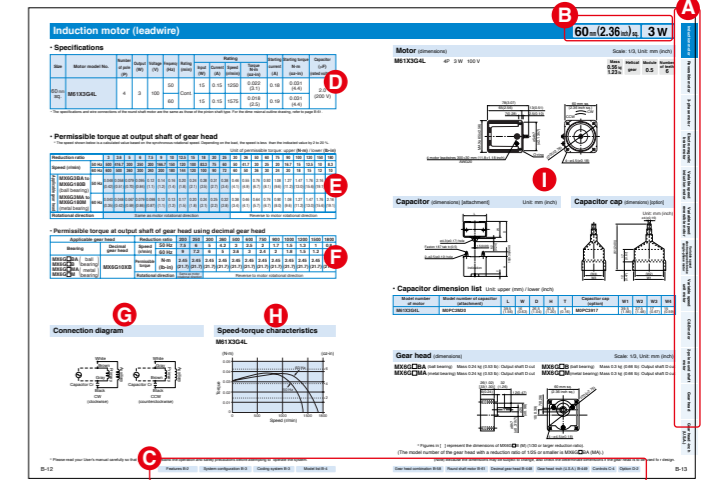
- Defines major requirements such as voltage, current and torque.
- Description is basically on pinion shaft type but almost equally applicable to round shaft.

E Permissible load torque with gear head directly connected

- Specifies the allowable load torque with gear head directly connected.

F Permissible load torque with decimal gear head used

- Specifies the allowable load torque when the decimal gear head is used.



G Wiring diagram

- Represents typical wiring for the product.

H Speed-torque curve

- Represents typical speed-torque curve of the product.

I Outline drawing

- Shows dimensions of the motor (gear head).
- Dimensions of motor-gear head combination and round shaft type are shown on different pages. See the footer.
- Fit tolerance symbol (JIS) is used in dimensions of motor "Faucet face" and "gear head" output shaft. For further information, see page A-33.

Conversion Table

To convert top row values to left column values(or vice versa), multiply by the value in the table.

(X = Y x multiply unit)

Length

Y \ X	mm	cm	m	in
mm	1	0.1	0.001	0.0393701
cm	10	1	0.01	0.393701
m	1000	100	1	39.3701
in	25.4	2.54	0.0254	1

Weight

Y \ X	g	kg	oz	lb
g	1	0.001	0.035274	0.00220462
kg	1000	1	35.274	2.20462
oz	28.3495	0.0283495	1	0.0625
lb	453.592	0.453592	16	1

Inertia

Y \ X	kg-cm ²	oz-in ²	lb-in ²
kg-cm ²	1	5.46745	0.341718
oz-in ²	0.182899	1	0.0625
lb-in ²	2.9263	16	1

Torque

Y \ X	N·m	oz-in	lb-in
N·m	1	141.6121	8.850759
oz-in	7.061541 x 10 ⁻³	1	0.0625
lb-in	1.12985 x 10 ³	16	1

Product list

Pinion shaft motor [Japanese version]

Size	Voltage (V) Output	Induction				Reversible				3-phase		Electromagnetic brake, single-phase		Electromagnetic brake, 3-phase	Variable speed induction		Voltage (V) Output	Size	
		Leadwire type		Sealed connector type		Leadwire type		Sealed connector type		Leadwire type	Sealed connector type	Leadwire type		Leadwire type	Leadwire type				
		100	200	100	200	100	200	100	200	200/220	200/220	100	200	200/220	100	200			
		Page	Page	Page	Page	Page	Page	Page	Page	Page	Page	Page	Page	Page	Page	Page			
42 mm sq. (1.65 inch sq.)	1 W	M41A1G4L				M4RA1G4L											1 W	42 mm sq. (1.65 inch sq.)	
	3 W	B-10				B-72											3 W		
60 mm sq. (2.36 inch sq.)	3 W	M61X3G4L														M61X3GV4L	3 W	60 mm sq. (2.36 inch sq.)	
	4 W	B-12				M6RX4G4L									B-232	4 W			
	6 W	M61X6G4L	M61X6G4Y			M6RX6G4L	M6RX6G4Y					M6RX6GB4L	M6RX6GB4Y		M61X6GV4L	M61X6GV4Y	6 W		
		B-14	B-14			B-76	B-76					B-178	B-178		B-234	B-234			
70 mm sq. (2.76 inch sq.)	10 W	M71X10G4L	M71X10G4Y			M7RX10G4L	M7RX10G4Y								M71X10GV4L	M71X10GV4Y	10 W	70 mm sq. (2.76 inch sq.)	
	15 W	B-18	B-18			B-80	B-80								B-238	B-238	15 W		
		M71X15G4L	M71X15G4Y			M7RX15G4L	M7RX15G4Y					M7RX15GB4L	M7RX15GB4Y		M71X15GV4L	M71X15GV4Y	15 W		
		B-20	B-20			B-82	B-82					B-182	B-182		B-240	B-240			
80 mm sq. (3.15 inch sq.)	15 W	M81X15G4L	M81X15G4Y												M81X15GV4L	M81X15GV4Y	15 W	80 mm sq. (3.15 inch sq.)	
	20 W	B-24	B-24			M8RX20G4L	M8RX20G4Y								B-244	B-244	20 W		
	25 W	M81X25G4L	M81X25G4Y	M81X25GK4L	M81X25GK4Y	M8RX25G4L	M8RX25G4Y	M8RX25GK4L	M8RX25GK4Y			M8MX25G4Y	M8MX25GK4Y	M8RX25GB4L	M8RX25GB4Y	M8MX25GB4Y	M81X25GV4L		M81X25GV4Y
		B-26	B-26	B-42	B-42	B-88	B-88	B-104	B-104			B-130	B-146	B-186	B-186	B-202	B-246	B-246	
90 mm sq. (3.54 inch sq.)	40 W	M91X40G4L	M91X40G4Y	M91X40GK4L	M91X40GK4Y	M9RX40G4L	M9RX40G4Y	M9RX40GK4L	M9RX40GK4Y			M9MX40G4Y	M9MX40GK4Y	M9RX40GB4L	M9RX40GB4Y	M9MX40GB4Y	M91X40GV4L	M91X40GV4Y	40 W
	60 W	B-30	B-30	B-46	B-46	B-92	B-92	B-108	B-108			B-134	B-150	B-190	B-190	B-206	B-250	B-250	
	90 W	M91Z60G4L	M91Z60G4Y	M91Z60GK4L	M91Z60GK4Y	M9RZ60G4L	M9RZ60G4Y	M9RZ60GK4L	M9RZ60GK4Y			M9MZ60G4Y	M9MZ60GK4Y	M9RZ60GB4L	M9RZ60GB4Y	M9MZ60GB4Y	M91Z60GV4L	M91Z60GV4Y	60 W
		B-34	B-34	B-50	B-50	B-96	B-96	B-112	B-112			B-138	B-154	B-194	B-194	B-210	B-254	B-254	
		M91Z90G4L	M91Z90G4Y	M91Z90GK4L	M91Z90GK4Y	M9RZ90G4L	M9RZ90G4Y	M9RZ90GK4L	M9RZ90GK4Y			M9MZ90G4Y	M9MZ90GK4Y	M9RZ90GB4L	M9RZ90GB4Y	M9MZ90GB4Y	M91Z90GV4L	M91Z90GV4Y	90 W
		B-38	B-38	B-54	B-54	B-100	B-100	B-116	B-116			B-142	B-158	B-198	B-198	B-214	B-258	B-258	

Product list

Pinion shaft motor [Japanese version]

Size	Voltage (V) Output	Variable speed reversible		Variable speed electromagnetic brake, single-phase		Variable speed unit				C&B induction				C&B 3-phase		C&B variable speed induction		Voltage (V) Output	Size
		Leadwire type		Leadwire type		US series		UX series		Leadwire type		Sealed connector type		Leadwire type	Sealed connector type	Leadwire type			
		100	200	100	200	100	200	100	200	100	200	100	200	200/220	200/220	100	200		
		Page	Page	Page	Page	Page	Page	Page	Page	Page	Page	Page	Page	Page	Page	Page	Page		
42 mm sq. (1.65 inch sq.)	1 W																	1 W	42 mm sq. (1.65 inch sq.)
	3 W																	3 W	
60 mm sq. (2.36 inch sq.)	3 W																	3 W	60 mm sq. (2.36 inch sq.)
	4 W	M6RX4GV4L B-274																4 W	
	6 W	M6RX6GV4L B-276	M6RX6GV4Y B-276	M6RX6GBV4L B-314	M6RX6GBV4Y B-314	MUSN606GL B-328	MUSN606GY B-328	MUXN606GL B-328	MUXN606GY B-328		M61X6H4L B-352	M61X6H4Y B-352				M61X6HV4L B-388	M61X6HV4Y B-388	6 W	
70 mm sq. (2.76 inch sq.)	10 W	M7RX10GV4L B-280	M7RX10GV4Y B-280															10 W	70 mm sq. (2.76 inch sq.)
	15 W	M7RX15GV4L B-282	M7RX15GV4Y B-282	M7RX15GBV4L B-316	M7RX15GBV4Y B-316	MUSN715GL B-330	MUSN715GY B-330	MUXN715GL B-330	MUXN715GY B-330		M71X15H4L B-354	M71X15H4Y B-354				M71X15HV4L B-390	M71X15HV4Y B-390	15 W	
80 mm sq. (3.15 inch sq.)	15 W																	15 W	80 mm sq. (3.15 inch sq.)
	20 W	M8RX20GV4L B-286	M8RX20GV4Y B-286															20 W	
	25 W	M8RX25GV4L B-288	M8RX25GV4Y B-288	M8RX25GBV4L B-318	M8RX25GBV4Y B-318	MUSN825GL B-332	MUSN825GY B-332	MUXN825GL B-332	MUXN825GY B-332		M81X25H4L B-356	M81X25H4Y B-356	M81X25HK4L B-364	M81X25HK4Y B-364	M8MX25H4Y B-372	M8MX25HK4Y B-372	M81X25HV4L B-392	M81X25HV4Y B-392	
90 mm sq. (3.54 inch sq.)	40 W	M9RX40GV4L B-292	M9RX40GV4Y B-292	M9RX40GBV4L B-320	M9RX40GBV4Y B-320	MUSN940GL B-334	MUSN940GY B-334	MUXN940GL B-334	MUXN940GY B-334		M91X40H4L B-358	M91X40H4Y B-358	M91X40HK4L B-366	M91X40HK4Y B-366	M9MX40H4Y B-374	M9MX40HK4Y B-374	M91X40HV4L B-394	M91X40HV4Y B-394	40 W
	60 W	M9RZ60GV4L B-296	M9RZ60GV4Y B-296			MUSN960GL B-336	MUSN960GY B-336	MUXN960GL B-336	MUXN960GY B-336		M91Z60H4L B-360	M91Z60H4Y B-360	M91Z60HK4L B-368	M91Z60HK4Y B-368	M9MZ60H4Y B-376	M9MZ60HK4Y B-376	M91Z60HV4L B-396	M91Z60HV4Y B-396	60 W
	90 W	M9RZ90GV4L B-300	M9RZ90GV4Y B-300			MUSN990GL B-338	MUSN990GY B-338	MUXN990GL B-338	MUXN990GY B-338		M91Z90H4L B-362	M91Z90H4Y B-362	M91Z90HK4L B-370	M91Z90HK4Y B-370	M9MZ90H4Y B-378	M9MZ90HK4Y B-378	M91Z90HV4L B-398	M91Z90HV4Y B-398	90 W

Product list

Round shaft motor [Japanese version]

Size	Voltage (V) Output	Induction				Reversible				3-phase		Electromagnetic brake, single-phase		Electromagnetic brake, 3-phase	Variable speed induction		Voltage (V) Output	Size	
		Leadwire type		Sealed connector type		Leadwire type		Sealed connector type		Leadwire type	Sealed connector type	Leadwire type		Leadwire type	Leadwire type				
		100	200	100	200	100	200	100	200	200/220	200/220	100	200	200/220	100	200			
		Page	Page	Page	Page	Page	Page	Page	Page	Page	Page	Page	Page	Page	Page	Page			
42 mm sq. (1.65 inch sq.)	1 W	M41A1S4L B-61				M4RA1S4L B-123											1 W	42 mm sq. (1.65 inch sq.)	
	3 W																3 W		
60 mm sq. (2.36 inch sq.)	3 W	M61X3S4LS B-61														M61X3SV4LS B-264	3 W	60 mm sq. (2.36 inch sq.)	
	4 W					M6RX4S4LS B-123											4 W		
	6 W	M61X6S4LS B-61	M61X6S4YS B-61			M6RX6S4LS B-123	M6RX6S4YS B-123					M6RX6SB4LS B-220	M6RX6SB4YS B-220			M61X6SV4LS B-264	M61X6SV4YS B-264		6 W
70 mm sq. (2.76 inch sq.)	10 W	M71X10S4LS B-61	M71X10S4YS B-61			M7RX10S4LS B-123	M7RX10S4YS B-123									M71X10SV4LS B-264	M71X10SV4YS B-264	10 W	70 mm sq. (2.76 inch sq.)
	15 W	M71X15S4LS B-61	M71X15S4YS B-61			M7RX15S4LS B-123	M7RX15S4YS B-123					M7RX15SB4LS B-220	M7RX15SB4YS B-220			M71X15SV4LS B-264	M71X15SV4YS B-264	15 W	
80 mm sq. (3.15 inch sq.)	15 W	M81X15S4LS B-61	M81X15S4YS B-61													M81X15SV4LS B-264	M81X15SV4YS B-264	15 W	80 mm sq. (3.15 inch sq.)
	20 W					M8RX20S4LS B-123	M8RX20S4YS B-123											20 W	
	25 W	M81X25S4LS B-61	M81X25S4YS B-61	M81X25SK4LS B-62	M81X25SK4YS B-62	M8RX25S4LS B-123	M8RX25S4YS B-123	M8RX25SK4LS B-124	M8RX25SK4YS B-124		M8MX25S4YS B-164	M8MX25SK4YS B-165	M8RX25SB4LS B-220	M8RX25SB4YS B-220	M8MX25SB4YS B-221	M81X25SV4LS B-264	M81X25SV4YS B-264	25 W	
90 mm sq. (3.54 inch sq.)	40 W	M91X40S4LS B-61	M91X40S4YS B-61	M91X40SK4LS B-62	M91X40SK4YS B-62	M9RX40S4LS B-123	M9RX40S4YS B-123	M9RX40SK4LS B-124	M9RX40SK4YS B-124		M9MX40S4YS B-164	M9MX40SK4YS B-165	M9RX40SB4LS B-220	M9RX40SB4YS B-220	M9MX40SB4YS B-221	M91X40SV4LS B-265	M91X40SV4YS B-265	40 W	90 mm sq. (3.54 inch sq.)
	60 W	M91Z60S4LS B-62	M91Z60S4YS B-62	M91Z60SK4LS B-62	M91Z60SK4YS B-62	M9RZ60S4LS B-124	M9RZ60S4YS B-124	M9RZ60SK4LS B-124	M9RZ60SK4YS B-124		M9MZ60S4YS B-164	M9MZ60SK4YS B-165	M9RZ60SB4LS B-220	M9RZ60SB4YS B-220	M9MZ60SB4YS B-221	M91Z60SV4LS B-265	M91Z60SV4YS B-265	60 W	
	90 W	M91Z90S4LS B-62	M91Z90S4YS B-62	M91Z90SK4LS B-62	M91Z90SK4YS B-62	M9RZ90S4LS B-124	M9RZ90S4YS B-124	M9RZ90SK4LS B-124	M9RZ90SK4YS B-124		M9MZ90S4YS B-164	M9MZ90SK4YS B-165	M9RZ90SB4LS B-220	M9RZ90SB4YS B-220	M9MZ90SB4YS B-221	M91Z90SV4LS B-265	M91Z90SV4YS B-265	90 W	

Product list

Round shaft motor [Japanese version]

2-pole motor [Japanese version]

Pinion shaft motor [International standard approved]



Size		Variable speed reversible	
		Leadwire type	
Voltage (V)		100	200
Output		Page	Page
42 mm sq. (1.65 inch sq.)	1 W		
	3 W		
60 mm sq. (2.36 inch sq.)	3 W		
	4 W	M6RX4SV4LS B-306	
	6 W	M6RX6SV4LS B-306	M6RX6SV4YS B-306
70 mm sq. (2.76 inch sq.)	10 W	M7RX10SV4LS B-306	M7RX10SV4YS B-306
	15 W	M7RX15SV4LS B-306	M7RX15SV4YS B-306
80 mm sq. (3.15 inch sq.)	15 W		
	20 W	M8RX20SV4LS B-306	M8RX20SV4YS B-306
	25 W	M8RX25SV4LS B-306	M8RX25SV4YS B-306
90 mm sq. (3.54 inch sq.)	40 W	M9RX40SV4LS B-307	M9RX40SV4YS B-307
	60 W	M9RZ60SV4LS B-307	M9RZ60SV4YS B-307
	90 W	M9RZ90SV4LS B-307	M9RZ90SV4YS B-307

• Pinion shaft • Round shaft

Size		Induction		3-phase	
		Leadwire type		Leadwire type	
Voltage (V)		100	200	200/220	
Output		Page	Page	Page	
42 mm sq. (1.65 inch sq.)	1 W				
	3 W	M41A3G2L B-8	M41A3S2L B-408		
60 mm sq. (2.36 inch sq.)	3 W				
	4 W				
	6 W				
70 mm sq. (2.76 inch sq.)	10 W				
	15 W				
80 mm sq. (3.15 inch sq.)	20 W		M81X20S2LS B-409	M81X20S2YS B-409	
	40 W		M81X40S2LS B-410	M81X40S2YS B-410	M8MX40S2YS B-420
	60 W		M81X60S2LS B-412	M81X60S2YS B-412	M8MX60S2YS B-422
90 mm sq. (3.54 inch sq.)	60 W		M91X60S2LS B-414	M91X60S2YS B-414	M9MX60S2YS B-424
	90 W		M91Z90S2LS B-416	M91Z90S2YS B-416	M9MZ90S2YS B-426
	150 W		M91ZA5S2LS B-418	M91ZA5S2YS B-418	M9MZA5S2YS B-428

<The models with a motor model number to which "A" or "B" is suffixed are not equipped with a capacitor cap.>

Size		Induction							
		Leadwire type				Sealed connector type			
Voltage (V)		100	110/115	200	220/230	100	110/115	200	220/230
Output		Page	Page	Page	Page	Page	Page	Page	Page
42 mm sq. (1.65 inch sq.)	1 W								
	3 W								
60 mm sq. (2.36 inch sq.)	3 W								
	4 W								
	6 W	M61X6G4LG M61X6G4LGA B-16	M61X6G4DG M61X6G4DGA B-16	M61X6G4YG M61X6G4YGA B-16	M61X6G4GG M61X6G4GGG B-16				
70 mm sq. (2.76 inch sq.)	10 W								
	15 W	M71X15G4LG M71X15G4LGA B-22	M71X15G4DG M71X15G4DGA B-22	M71X15G4YG M71X15G4YGA B-22	M71X15G4GG M71X15G4GGG B-22				
80 mm sq. (3.15 inch sq.)	15 W								
	20 W								
	25 W	M81X25G4LG M81X25G4LGA B-28	M81X25G4DG M81X25G4DGA B-28	M81X25G4YG M81X25G4YGA B-28	M81X25G4GG M81X25G4GGG B-28	M81X25GK4LG M81X25GK4LGA B-44	M81X25GK4DG M81X25GK4DGA B-44	M81X25GK4YG M81X25GK4YGA B-44	M81X25GK4GG M81X25GK4GGG B-44
90 mm sq. (3.54 inch sq.)	40 W	M91X40G4LG M91X40G4LGA B-32	M91X40G4DG M91X40G4DGA B-32	M91X40G4YG M91X40G4YGA B-32	M91X40G4GG M91X40G4GGG B-32	M91X40GK4LG M91X40GK4LGA B-48	M91X40GK4DG M91X40GK4DGA B-48	M91X40GK4YG M91X40GK4YGA B-48	M91X40GK4GG M91X40GK4GGG B-48
	60 W	M91Z60G4LG M91Z60G4LGA B-36	M91Z60G4DG M91Z60G4DGA B-36	M91Z60G4YG M91Z60G4YGA B-36	M91Z60G4GG M91Z60G4GGG M91Z60G4GGB M91Z60G4GGC B-36	M91Z60GK4LG M91Z60GK4LGA B-52	M91Z60GK4DG M91Z60GK4DGA B-52	M91Z60GK4YG M91Z60GK4YGA B-52	M91Z60GK4GG M91Z60GK4GGG M91Z60GK4GGB M91Z60GK4GGC B-52
	90 W	M91Z90G4LG M91Z90G4LGA B-40	M91Z90G4DG M91Z90G4DGA B-40	M91Z90G4YG M91Z90G4YGA B-40	M91Z90G4GG M91Z90G4GGG M91Z90G4GGB M91Z90G4GGC B-40	M91Z90GK4LG M91Z90GK4LGA B-56	M91Z90GK4DG M91Z90GK4DGA B-56	M91Z90GK4YG M91Z90GK4YGA B-56	M91Z90GK4GG M91Z90GK4GGG M91Z90GK4GGB M91Z90GK4GGC B-56

* The models with a model number to which "A" or "B" is suffixed (not equipped with a capacitor cap) are not sold or available in Japan.

Product list

Pinion shaft motor [International standard approved]



<The models with a motor model number to which "A" is suffixed are not equipped with a capacitor cap.>

Size	Voltage (V) Output	Reversible								3-phase			Electromagnetic brake, single-phase				Electromagnetic brake, 3-phase	Voltage (V) Output	Size	
		Leadwire type 				Sealed connector type 				Leadwire type 	Sealed connector type 		Leadwire type 				Leadwire type 			
		100	110/115	200	220/230	100	110/115	200	220/230	200/220/230	200/220/230	380/400	100	110/115	200	220/230	200/220/230			
		Page	Page	Page	Page	Page	Page	Page	Page	Page	Page	Page	Page	Page	Page	Page	Page			
42 mm sq. (1.65 inch sq.)	1 W																	1 W	42 mm sq. (1.65 inch sq.)	
	3 W																	3 W		
60 mm sq. (2.36 inch sq.)	3 W																	3 W	60 mm sq. (2.36 inch sq.)	
	4 W																	4 W		
	6 W	M6RX6G4LG M6RX6G4LGA B-78	M6RX6G4DG M6RX6G4DGA B-78	M6RX6G4YG M6RX6G4YGA B-78	M6RX6G4GG M6RX6G4GGA B-78							M6RX6GB4LG M6RX6GB4LGA B-180	M6RX6GB4DG M6RX6GB4DGA B-180	M6RX6GB4YG M6RX6GB4YGA B-180	M6RX6GB4GG M6RX6GB4GGA B-180			6 W		
70 mm sq. (2.76 inch sq.)	10 W																	10 W	70 mm sq. (2.76 inch sq.)	
	15 W	M7RX15G4LG M7RX15G4LGA B-84	M7RX15G4DG M7RX15G4DGA B-84	M7RX15G4YG M7RX15G4YGA B-84	M7RX15G4GG M7RX15G4GGA B-84							M7RX15GB4LG M7RX15GB4LGA B-184	M7RX15GB4DG M7RX15GB4DGA B-184	M7RX15GB4YG M7RX15GB4YGA B-184	M7RX15GB4GG M7RX15GB4GGA B-184			15 W		
80 mm sq. (3.15 inch sq.)	15 W																	15 W	80 mm sq. (3.15 inch sq.)	
	20 W																	20 W		
	25 W	M8RX25G4LG M8RX25G4LGA B-90	M8RX25G4DG M8RX25G4DGA B-90	M8RX25G4YG M8RX25G4YGA B-90	M8RX25G4GG M8RX25G4GGA B-90	M8RX25GK4LG M8RX25GK4LGA B-106	M8RX25GK4DG M8RX25GK4DGA B-106	M8RX25GK4YG M8RX25GK4YGA B-106	M8RX25GK4GG M8RX25GK4GGA B-106			M8MX25G4YG M8MX25G4YGA B-132	M8MX25GK4YG M8MX25GK4YGA B-148	M8MX25GK4CG M8MX25GK4CGA B-148	M8RX25GB4LG M8RX25GB4LGA B-188	M8RX25GB4DG M8RX25GB4DGA B-188	M8RX25GB4YG M8RX25GB4YGA B-188	M8RX25GB4GG M8RX25GB4GGA B-188		M8MX25GB4YG M8MX25GB4YGA B-204
90 mm sq. (3.54 inch sq.)	40 W	M9RX40G4LG M9RX40G4LGA B-94	M9RX40G4DG M9RX40G4DGA B-94	M9RX40G4YG M9RX40G4YGA B-94	M9RX40G4GG M9RX40G4GGA B-94	M9RX40GK4LG M9RX40GK4LGA B-110	M9RX40GK4DG M9RX40GK4DGA B-110	M9RX40GK4YG M9RX40GK4YGA B-110	M9RX40GK4GG M9RX40GK4GGA B-110			M9MX40G4YG M9MX40G4YGA B-136	M9MX40GK4YG M9MX40GK4YGA B-152	M9MX40GK4CG M9MX40GK4CGA B-152	M9RX40GB4LG M9RX40GB4LGA B-192	M9RX40GB4DG M9RX40GB4DGA B-192	M9RX40GB4YG M9RX40GB4YGA B-192	M9RX40GB4GG M9RX40GB4GGA B-192	M9MX40GB4YG M9MX40GB4YGA B-208	40 W
	60 W	M9RZ60G4LG M9RZ60G4LGA B-98	M9RZ60G4DG M9RZ60G4DGA B-98	M9RZ60G4YG M9RZ60G4YGA B-98	M9RZ60G4GG M9RZ60G4GGA B-98	M9RZ60GK4LG M9RZ60GK4LGA B-114	M9RZ60GK4DG M9RZ60GK4DGA B-114	M9RZ60GK4YG M9RZ60GK4YGA B-114	M9RZ60GK4GG M9RZ60GK4GGA B-114			M9MZ60G4YG M9MZ60G4YGA B-140	M9MZ60GK4YG M9MZ60GK4YGA B-156	M9MZ60GK4CG M9MZ60GK4CGA B-156	M9RZ60GB4LG M9RZ60GB4LGA B-196	M9RZ60GB4DG M9RZ60GB4DGA B-196	M9RZ60GB4YG M9RZ60GB4YGA B-196	M9RZ60GB4GG M9RZ60GB4GGA B-196	M9MZ60GB4YG M9MZ60GB4YGA B-212	60 W
	90 W	M9RZ90G4LG M9RZ90G4LGA B-102	M9RZ90G4DG M9RZ90G4DGA B-102	M9RZ90G4YG M9RZ90G4YGA B-102	M9RZ90G4GG M9RZ90G4GGA B-102	M9RZ90GK4LG M9RZ90GK4LGA B-118	M9RZ90GK4DG M9RZ90GK4DGA B-118	M9RZ90GK4YG M9RZ90GK4YGA B-118	M9RZ90GK4GG M9RZ90GK4GGA B-118			M9MZ90G4YG M9MZ90G4YGA B-144	M9MZ90GK4YG M9MZ90GK4YGA B-160	M9MZ90GK4CG M9MZ90GK4CGA B-160	M9RZ90GB4LG M9RZ90GB4LGA B-200	M9RZ90GB4DG M9RZ90GB4DGA B-200	M9RZ90GB4YG M9RZ90GB4YGA B-200	M9RZ90GB4GG M9RZ90GB4GGA B-200	M9MZ90GB4YG M9MZ90GB4YGA B-216	90 W

* The models with a model number to which "A" is suffixed (not equipped with a capacitor cap) are not sold or available in Japan.

Product list

Pinion shaft motor [International standard approved]



Round shaft motor [International standard approved]



<The models with a motor model number to which "A" or "B" is suffixed are not equipped with a capacitor cap.>

Size	Voltage (V) Output	Variable speed induction				Variable speed reversible				Induction								Voltage (V) Output	Size			
		Leadwire type 				Leadwire type 				Leadwire type 				Sealed connector type 								
		100 Page	110/115 Page	200 Page	220/230 Page	100 Page	110/115 Page	200 Page	220/230 Page	100 Page	110/115 Page	200 Page	220/230 Page	100 Page	110/115 Page	200 Page	220/230 Page					
42 mm sq. (1.65 inch sq.)	1 W																		1 W	42 mm sq. (1.65 inch sq.)		
	3 W																		3 W			
60 mm sq. (2.36 inch sq.)	3 W																		3 W	60 mm sq. (2.36 inch sq.)		
	4 W																		4 W			
	6 W	M61X6GV4LG M61X6GV4LGA B-236	M61X6GV4DG M61X6GV4DGA B-236	M61X6GV4YG M61X6GV4YGA B-236	M61X6GV4GG M61X6GV4GGA B-236	M6RX6GV4LG M6RX6GV4LGA B-278	M6RX6GV4DG M6RX6GV4DGA B-278	M6RX6GV4YG M6RX6GV4YGA B-278	M6RX6GV4GG M6RX6GV4GGA B-278					M61X6S4LG M61X6S4LGA B-61	M61X6S4DG M61X6S4DGA B-61	M61X6S4YG M61X6S4YGA B-61	M61X6S4GG M61X6S4GGA B-61					6 W
70 mm sq. (2.76 inch sq.)	10 W																		10 W	70 mm sq. (2.76 inch sq.)		
	15 W	M71X15GV4LG M71X15GV4LGA B-242	M71X15GV4DG M71X15GV4DGA B-242	M71X15GV4YG M71X15GV4YGA B-242	M71X15GV4GG M71X15GV4GGA B-242	M7RX15GV4LG M7RX15GV4LGA B-284	M7RX15GV4DG M7RX15GV4DGA B-284	M7RX15GV4YG M7RX15GV4YGA B-284	M7RX15GV4GG M7RX15GV4GGA B-284					M71X15S4LG M71X15S4LGA B-61	M71X15S4DG M71X15S4DGA B-61	M71X15S4YG M71X15S4YGA B-61	M71X15S4GG M71X15S4GGA B-61					15 W
80 mm sq. (3.15 inch sq.)	15 W																		15 W	80 mm sq. (3.15 inch sq.)		
	20 W																		20 W			
	25 W	M81X25GV4LG M81X25GV4LGA B-248	M81X25GV4DG M81X25GV4DGA B-248	M81X25GV4YG M81X25GV4YGA B-248	M81X25GV4GG M81X25GV4GGA B-248	M8RX25GV4LG M8RX25GV4LGA B-290	M8RX25GV4DG M8RX25GV4DGA B-290	M8RX25GV4YG M8RX25GV4YGA B-290	M8RX25GV4GG M8RX25GV4GGA B-290					M81X25S4LG M81X25S4LGA B-61	M81X25S4DG M81X25S4DGA B-61	M81X25S4YG M81X25S4YGA B-61	M81X25S4GG M81X25S4GGA B-61	M81X25SK4LG M81X25SK4LGA B-62	M81X25SK4DG M81X25SK4DGA B-62		M81X25SK4YG M81X25SK4YGA B-62	M81X25SK4GG M81X25SK4GGA B-62
90 mm sq. (3.54 inch sq.)	40 W	M91X40GV4LG M91X40GV4LGA B-252	M91X40GV4DG M91X40GV4DGA B-252	M91X40GV4YG M91X40GV4YGA B-252	M91X40GV4GG M91X40GV4GGA B-252	M9RX40GV4LG M9RX40GV4LGA B-294	M9RX40GV4DG M9RX40GV4DGA B-294	M9RX40GV4YG M9RX40GV4YGA B-294	M9RX40GV4GG M9RX40GV4GGA B-294					M91X40S4LG M91X40S4LGA B-61	M91X40S4DG M91X40S4DGA B-61	M91X40S4YG M91X40S4YGA B-61	M91X40S4GG M91X40S4GGA B-61	M91X40SK4LG M91X40SK4LGA B-62	M91X40SK4DG M91X40SK4DGA B-62	M91X40SK4YG M91X40SK4YGA B-62	M91X40SK4GG M91X40SK4GGA B-62	40 W
	60 W	M91Z60GV4LG M91Z60GV4LGA B-256	M91Z60GV4DG M91Z60GV4DGA B-256	M91Z60GV4YG M91Z60GV4YGA B-256	M91Z60GV4GG M91Z60GV4GGA M91Z60GV4GGB M91Z60GV4GGC B-256	M9RZ60GV4LG M9RZ60GV4LGA B-298	M9RZ60GV4DG M9RZ60GV4DGA B-298	M9RZ60GV4YG M9RZ60GV4YGA B-298	M9RZ60GV4GG M9RZ60GV4GGA B-298					M91Z60S4LG M91Z60S4LGA B-62	M91Z60S4DG M91Z60S4DGA B-62	M91Z60S4YG M91Z60S4YGA B-62	M91Z60S4GG M91Z60S4GGA M91Z60S4GGB M91Z60S4GGC B-62	M91Z60SK4LG M91Z60SK4LGA B-62	M91Z60SK4DG M91Z60SK4DGA B-62	M91Z60SK4YG M91Z60SK4YGA B-62	M91Z60SK4GG M91Z60SK4GGA M91Z60SK4GGB M91Z60SK4GGC B-62	60 W
	90 W	M91Z90GV4LG M91Z90GV4LGA B-260	M91Z90GV4DG M91Z90GV4DGA B-260	M91Z90GV4YG M91Z90GV4YGA B-260	M91Z90GV4GG M91Z90GV4GGA M91Z90GV4GGB M91Z90GV4GGC B-260	M9RZ90GV4LG M9RZ90GV4LGA B-302	M9RZ90GV4DG M9RZ90GV4DGA B-302	M9RZ90GV4YG M9RZ90GV4YGA B-302	M9RZ90GV4GG M9RZ90GV4GGA B-302					M91Z90S4LG M91Z90S4LGA B-62	M91Z90S4DG M91Z90S4DGA B-62	M91Z90S4YG M91Z90S4YGA B-62	M91Z90S4GG M91Z90S4GGA M91Z90S4GGB M91Z90S4GGC B-62	M91Z90SK4LG M91Z90SK4LGA B-62	M91Z90SK4DG M91Z90SK4DGA B-62	M91Z90SK4YG M91Z90SK4YGA B-62	M91Z90SK4GG M91Z90SK4GGA M91Z90SK4GGB M91Z90SK4GGC B-62	90 W




* The models with a model number to which "A" or "B" is suffixed (not equipped with a capacitor cap) are not sold or available in Japan.

Product list

Round shaft motor [International standard approved]



<The models with a motor model number to which "A" is suffixed are not equipped with a capacitor cap.>

Size	Voltage (V) Output	Reversible								3-phase			Electromagnetic brake, single-phase				Electromagnetic brake, 3-phase	Voltage (V) Output	Size		
		Leadwire type 				Sealed connector type 				Leadwire type 	Sealed connector type 		Leadwire type 				Leadwire type 				
		100	110/115	200	220/230	100	110/115	200	220/230	200/220/230	200/220/230	380/400	100	110/115	200	220/230	200/220/230				
		Page	Page	Page	Page	Page	Page	Page	Page	Page	Page	Page	Page	Page	Page	Page	Page				
42 mm sq. (1.65 inch sq.)	1 W																	1 W			
	3 W																	3 W			
60 mm sq. (2.36 inch sq.)	3 W																	3 W			
	4 W																	4 W			
	6 W	M6RX6S4LG M6RX6S4LGA	M6RX6S4DG M6RX6S4DGA	M6RX6S4YG M6RX6S4YGA	M6RX6S4GG M6RX6S4GGA							M6RX6SB4LG M6RX6SB4LGA	M6RX6SB4DG M6RX6SB4DGA	M6RX6SB4YG M6RX6SB4YGA	M6RX6SB4GG M6RX6SB4GGA				6 W		
		B-123	B-123	B-123	B-123							B-220	B-220	B-220	B-220						
70 mm sq. (2.76 inch sq.)	10 W																	10 W			
	15 W	M7RX15S4LG M7RX15S4LGA	M7RX15S4DG M7RX15S4DGA	M7RX15S4YG M7RX15S4YGA	M7RX15S4GG M7RX15S4GGA							M7RX15SB4LG M7RX15SB4LGA	M7RX15SB4DG M7RX15SB4DGA	M7RX15SB4YG M7RX15SB4YGA	M7RX15SB4GG M7RX15SB4GGA				15 W		
		B-123	B-123	B-123	B-123							B-220	B-220	B-220	B-220						
80 mm sq. (3.15 inch sq.)	15 W																	15 W			
	20 W																	20 W			
	25 W	M8RX25S4LG M8RX25S4LGA	M8RX25S4DG M8RX25S4DGA	M8RX25S4YG M8RX25S4YGA	M8RX25S4GG M8RX25S4GGA	M8RX25SK4LG M8RX25SK4LGA	M8RX25SK4DG M8RX25SK4DGA	M8RX25SK4YG M8RX25SK4YGA	M8RX25SK4GG M8RX25SK4GGA				M8MX25S4YG M8MX25S4YGA	M8MX25SK4YG M8MX25SK4YGA	M8MX25SK4CG M8MX25SK4CGA	M8RX25SB4LG M8RX25SB4LGA	M8RX25SB4DG M8RX25SB4DGA	M8RX25SB4YG M8RX25SB4YGA	M8RX25SB4GG M8RX25SB4GGA	M8MX25SB4YG M8MX25SB4YGA	25 W
		B-123	B-123	B-123	B-123	B-124	B-124	B-124	B-124				B-164	B-165	B-165	B-220	B-220	B-220	B-220	B-221	
90 mm sq. (3.54 inch sq.)	40 W	M9RX40S4LG M9RX40S4LGA	M9RX40S4DG M9RX40S4DGA	M9RX40S4YG M9RX40S4YGA	M9RX40S4GG M9RX40S4GGA	M9RX40SK4LG M9RX40SK4LGA	M9RX40SK4DG M9RX40SK4DGA	M9RX40SK4YG M9RX40SK4YGA	M9RX40SK4GG M9RX40SK4GGA				M9MX40S4YG M9MX40S4YGA	M9MX40SK4YG M9MX40SK4YGA	M9MX40SK4CG M9MX40SK4CGA	M9RX40SB4LG M9RX40SB4LGA	M9RX40SB4DG M9RX40SB4DGA	M9RX40SB4YG M9RX40SB4YGA	M9RX40SB4GG M9RX40SB4GGA	M9MX40SB4YG M9MX40SB4YGA	40 W
	60 W	M9RZ60S4LG M9RZ60S4LGA	M9RZ60S4DG M9RZ60S4DGA	M9RZ60S4YG M9RZ60S4YGA	M9RZ60S4GG M9RZ60S4GGA	M9RZ60SK4LG M9RZ60SK4LGA	M9RZ60SK4DG M9RZ60SK4DGA	M9RZ60SK4YG M9RZ60SK4YGA	M9RZ60SK4GG M9RZ60SK4GGA				M9MZ60S4YG M9MZ60S4YGA	M9MZ60SK4YG M9MZ60SK4YGA	M9MZ60SK4CG M9MZ60SK4CGA	M9RZ60SB4LG M9RZ60SB4LGA	M9RZ60SB4DG M9RZ60SB4DGA	M9RZ60SB4YG M9RZ60SB4YGA	M9RZ60SB4GG M9RZ60SB4GGA	M9MZ60SB4YG M9MZ60SB4YGA	60 W
	90 W	M9RZ90S4LG M9RZ90S4LGA	M9RZ90S4DG M9RZ90S4DGA	M9RZ90S4YG M9RZ90S4YGA	M9RZ90S4GG M9RZ90S4GGA	M9RZ90SK4LG M9RZ90SK4LGA	M9RZ90SK4DG M9RZ90SK4DGA	M9RZ90SK4YG M9RZ90SK4YGA	M9RZ90SK4GG M9RZ90SK4GGA				M9MZ90S4YG M9MZ90S4YGA	M9MZ90SK4YG M9MZ90SK4YGA	M9MZ90SK4CG M9MZ90SK4CGA	M9RZ90SB4LG M9RZ90SB4LGA	M9RZ90SB4DG M9RZ90SB4DGA	M9RZ90SB4YG M9RZ90SB4YGA	M9RZ90SB4GG M9RZ90SB4GGA	M9MZ90SB4YG M9MZ90SB4YGA	90 W
		B-124	B-124	B-124	B-124	B-124	B-124	B-124	B-124				B-164	B-165	B-165	B-220	B-220	B-220	B-220	B-221	

* The models with a model number to which "A" is suffixed (not equipped with a capacitor cap) are not sold or available in Japan.

Product list

Round shaft motor [International standard approved]



2-pole round shaft motor [International standard approved]



Size	Voltage (V) Output	Variable speed induction				Variable speed reversible				
		Leadwire type								
		100	110/115	200	220/230	100	110/115	200	220/230	
		Page	Page	Page	Page	Page	Page	Page	Page	
42 mm sq. (1.65 inch sq.)	1 W									
	3 W									
60 mm sq. (2.36 inch sq.)	3 W									
	4 W									
	6 W	M61X6SV4LG M61X6SV4LGA	M61X6SV4DG M61X6SV4DGA	M61X6SV4YG M61X6SV4YGA	M61X6SV4GG M61X6SV4GGA	M6RX6SV4LG M6RX6SV4LGA	M6RX6SV4DG M6RX6SV4DGA	M6RX6SV4YG M6RX6SV4YGA	M6RX6SV4GG M6RX6SV4GGA	
		B-264	B-264	B-264	B-264	B-306	B-306	B-306	B-306	
70 mm sq. (2.76 inch sq.)	10 W									
	15 W	M71X15SV4LG M71X15SV4LGA	M71X15SV4DG M71X15SV4DGA	M71X15SV4YG M71X15SV4YGA	M71X15SV4GG M71X15SV4GGA	M7RX15SV4LG M7RX15SV4LGA	M7RX15SV4DG M7RX15SV4DGA	M7RX15SV4YG M7RX15SV4YGA	M7RX15SV4GG M7RX15SV4GGA	
		B-264	B-264	B-264	B-264	B-306	B-306	B-306	B-306	
80 mm sq. (3.15 inch sq.)	15 W									
	20 W									
	25 W	M81X25SV4LG M81X25SV4LGA	M81X25SV4DG M81X25SV4DGA	M81X25SV4YG M81X25SV4YGA	M81X25SV4GG M81X25SV4GGA	M8RX25SV4LG M8RX25SV4LGA	M8RX25SV4DG M8RX25SV4DGA	M8RX25SV4YG M8RX25SV4YGA	M8RX25SV4GG M8RX25SV4GGA	
		B-264	B-264	B-264	B-264	B-306	B-306	B-306	B-306	
90 mm sq. (3.54 inch sq.)	40 W	M91X40SV4LG M91X40SV4LGA	M91X40SV4DG M91X40SV4DGA	M91X40SV4YG M91X40SV4YGA	M91X40SV4GG M91X40SV4GGA	M9RX40SV4LG M9RX40SV4LGA	M9RX40SV4DG M9RX40SV4DGA	M9RX40SV4YG M9RX40SV4YGA	M9RX40SV4GG M9RX40SV4GGA	
			B-265	B-265	B-265	B-265	B-307	B-307	B-307	B-307
	60 W	M91Z60SV4LG M91Z60SV4LGA	M91Z60SV4DG M91Z60SV4DGA	M91Z60SV4YG M91Z60SV4YGA	M91Z60SV4GG M91Z60SV4GGA M91Z60SV4GGB M91Z60SV4GGC	M9RZ60SV4LG M9RZ60SV4LGA	M9RZ60SV4DG M9RZ60SV4DGA	M9RZ60SV4YG M9RZ60SV4YGA	M9RZ60SV4GG M9RZ60SV4GGA	
		B-265	B-265	B-265	B-265	B-307	B-307	B-307	B-307	
	90 W	M91Z90SV4LG M91Z90SV4LGA	M91Z90SV4DG M91Z90SV4DGA	M91Z90SV4YG M91Z90SV4YGA	M91Z90SV4GG M91Z90SV4GGA M91Z90SV4GGB M91Z90SV4GGC	M9RZ90SV4LG M9RZ90SV4LGA	M9RZ90SV4DG M9RZ90SV4DGA	M9RZ90SV4YG M9RZ90SV4YGA	M9RZ90SV4GG M9RZ90SV4GGA	
		B-265	B-265	B-265	B-265	B-307	B-307	B-307	B-307	

<The models with a motor model number to which "A" or "B" is suffixed are not equipped with a capacitor cap.>


Size	Voltage (V) Output	Induction				3-phase
		Leadwire type				
		100	110/115	200	220/230	200/220/230
		Page	Page	Page	Page	Page
42 mm sq. (1.65 inch sq.)	1 W					
	3 W					
60 mm sq. (2.36 inch sq.)	3 W					
	4 W					
	6 W					
70 mm sq. (2.76 inch sq.)	10 W					
	15 W					
80 mm sq. (3.15 inch sq.)	20 W					
	40 W	M81X40S2LG M81X40S2LGA	M81X40S2DG M81X40S2DGA	M81X40S2YG M81X40S2YGA	M81X40S2GG M81X40S2GGA	M8MX40S2YG M8MX40S2YGA
		B-411	B-411	B-411	B-411	B-421
	60 W	M81X60S2LG M81X60S2LGA	M81X60S2DG M81X60S2DGA	M81X60S2YG M81X60S2YGA	M81X60S2GG M81X60S2GGA	M8MX60S2YG M8MX60S2YGA
		B-413	B-413	B-413	B-413	B-423
90 mm sq. (3.54 inch sq.)	60 W	M91X60S2LG M91X60S2LGA	M91X60S2DG M91X60S2DGA	M91X60S2YG M91X60S2YGA	M91X60S2GG M91X60S2GGA	M9MX60S2YG M9MX60S2YGA
		B-415	B-415	B-415	B-415	B-425
	90 W	M91Z90S2LG M91Z90S2LGA	M91Z90S2DG M91Z90S2DGA	M91Z90S2YG M91Z90S2YGA	M91Z90S2GG M91Z90S2GGA	M9MZ90S2YG M9MZ90S2YGA
		B-417	B-417	B-417	B-417	B-427
	150 W	M91ZA5S2LG M91ZA5S2LGA	M91ZA5S2DG M91ZA5S2DGA	M91ZA5S2YG M91ZA5S2YGA	M91ZA5S2GG M91ZA5S2GGA	M9MZA5S2YG M9MZA5S2YGA
		B-419	B-419	B-419	B-419	B-429

* The models with a model number to which "A" or "B" is suffixed (not equipped with a capacitor cap) are not sold or available in Japan.


Product list

Gear head


Ball bearing

Size	Reduction ratio	Ball bearing 	Hinge	
		Page		
42 mm sq. (1.65 inch sq.)				
60 mm sq. (2.36 inch sq.)	1/3, 1/3.6, 1/5, 1/6, 1/7.5, 1/9, 1/10, 1/12.5, 1/15, 1/18, 1/20, 1/25, 1/30, 1/36, 1/50, 1/60, 1/75, 1/90, 1/100, 1/120, 1/150, 1/180	MX6G3BA – MX6G180B B-13		
70 mm sq. (2.76 inch sq.)	1/3, 1/3.6, 1/5, 1/6, 1/7.5, 1/9, 1/10, 1/12.5, 1/15, 1/18, 1/20, 1/25, 1/30, 1/36, 1/50, 1/60, 1/75, 1/90, 1/100, 1/120, 1/150, 1/180	MX7G3BA – MX7G180B B-19		
80 mm sq. (3.15 inch sq.)	1/3, 1/3.6, 1/5, 1/6, 1/7.5, 1/9, 1/10, 1/12.5, 1/15, 1/18, 1/20, 1/25, 1/30, 1/36, 1/50, 1/60, 1/75, 1/90, 1/100, 1/120, 1/150, 1/180	MX8G3B – MX8G180B B-25		
90 mm sq. (3.54 inch sq.)	40 W	1/3, 1/3.6, 1/5, 1/6, 1/7.5, 1/9, 1/10, 1/12.5, 1/15, 1/18, 1/20, 1/25, 1/30, 1/36, 1/50, 1/60, 1/75, 1/90, 1/100, 1/120, 1/150, 1/180	MX9G3B – X9G180B B-31	
		1/3, 1/3.6, 1/5, 1/6, 1/7.5, 1/9, 1/10, 1/12.5, 1/15, 1/18, 1/20, 1/25, 1/30, 1/36, 1/50, 1/60, 1/75, 1/90, 1/100, 1/120, 1/150, 1/180, 1/200	MZ9G3B – MZ9G200B B-35	
	Common to 60 W, 90 W	1/3, 1/3.6, 1/5, 1/6, 1/7.5, 1/9, 1/10, 1/12.5, 1/15, 1/18, 1/20, 1/25, 1/30, 1/36, 1/50, 1/60, 1/75, 1/90, 1/100, 1/120, 1/150, 1/180, 1/200	MY9G3B – MY9G200B B-35	○
		1/3, 1/3.6, 1/5, 1/6, 1/7.5, 1/9, 1/10, 1/12.5, 1/15, 1/18, 1/20, 1/25, 1/30, 1/36, 1/50, 1/60, 1/75, 1/90, 1/100, 1/120, 1/150, 1/180, 1/200	B-35	


Metal bearing

Size	Reduction ratio	Metal bearing 	Hinge
		Page	
42 mm sq. (1.65 inch sq.)			
60 mm sq. (2.36 inch sq.)	1/3, 1/3.6, 1/5, 1/6, 1/7.5, 1/9, 1/10, 1/12.5, 1/15, 1/18, 1/20, 1/25, 1/30, 1/36, 1/50, 1/60, 1/75, 1/90, 1/100, 1/120, 1/150, 1/180	MX6G3MA – MX6G180M B-13	
70 mm sq. (2.76 inch sq.)	1/3, 1/3.6, 1/5, 1/6, 1/7.5, 1/9, 1/10, 1/12.5, 1/15, 1/18, 1/20, 1/25, 1/30, 1/36, 1/50, 1/60, 1/75, 1/90, 1/100, 1/120, 1/150, 1/180	MX7G3MA – MX7G180M B-19	
80 mm sq. (3.15 inch sq.)	1/3, 1/3.6, 1/5, 1/6, 1/7.5, 1/9, 1/10, 1/12.5, 1/15, 1/18, 1/20, 1/25, 1/30, 1/36, 1/50, 1/60, 1/75, 1/90, 1/100, 1/120, 1/150, 1/180	MX8G3M – MX8G180M B-25	
90 mm sq. (3.54 inch sq.)	40 W	1/3, 1/3.6, 1/5, 1/6, 1/7.5, 1/9, 1/10, 1/12.5, 1/15, 1/18, 1/20, 1/25, 1/30, 1/36, 1/50, 1/60, 1/75, 1/90, 1/100, 1/120, 1/150, 1/180	MX9G3M – MX9G180M B-31
		Common to 60 W, 90 W	


Ball bearing and metal bearing

Size	Reduction ratio	Ball bearing and metal bearing 	Hinge
		Page	
42 mm sq. (1.65 inch sq.)	1/3, 1/3.6, 1/5, 1/6, 1/7.5, 1/9, 1/12.5, 1/15, 1/18, 1/25, 1/30, 1/36, 1/50, 1/60, 1/75, 1/90, 1/100, 1/120, 1/150, 1/180	M4GA3F – M4GA180F B-9	
60 mm sq. (2.36 inch sq.)			
70 mm sq. (2.76 inch sq.)			
80 mm sq. (3.15 inch sq.)			
90 mm sq. (3.54 inch sq.)	40 W		
		Common to 60 W, 90 W	

High torque gear head

Size	Reduction ratio		Hinge
		Page	
90 mm sq. (3.54 inch sq.)	1/50, 1/60, 1/75, 1/90, 1/100, 1/120, 1/150, 1/180, 1/200	MR9G50B – MR9G200B B-444	
	1/50, 1/60, 1/75, 1/90, 1/100, 1/120, 1/150, 1/180, 1/200	MP9G50B – MP9G200B B-444	○


Right-angle gear head

Size	Reduction ratio		Hinge	
		Page		
90 mm sq. (3.54 inch sq.)	40 W	1/3, 1/3.6, 1/5, 1/6, 1/7.5, 1/9, 1/12.5, 1/15, 1/18, 1/25, 1/30, 1/36, 1/50, 1/60, 1/75, 1/90, 1/100, 1/120, 1/150, 1/180	MX9G3RMX9G180R B-446	
		Common to 60 W, 90 W		
	60 W, 90 W	1/3, 1/3.6, 1/5, 1/6, 1/7.5, 1/9, 1/12.5, 1/15, 1/18, 1/25, 1/30, 1/36, 1/50, 1/60, 1/75, 1/90, 1/100, 1/120, 1/150, 1/180, 1/200	MZ9G3R – MZ9G200R B-446	

* For C&B motor, use gear head dedicated to C&B motor, shown on page A-21.


Product list

Decimal gear head


Size	Reduction ratio	 Page	Applicable gear head
60 mm sq. (2.36 inch sq.)	1/10	MX6G10XB B-448	MX6G*BA MX6G*B
70 mm sq. (2.76 inch sq.)	1/10	MX7G10XB B-448	MX7G*BA MX7G*B
80 mm sq. (3.15 inch sq.)	1/10	MX8G10XB B-448	MX8G*B
90 mm sq. (3.54 inch sq.)	40 W	MX9G10XB B-448	MX9G*B
	Common to 60 W, 90 W	MZ9G10XB B-448	MZ9G*B MY9G*B MR9G*B MP9G*B

Gear head

Gear head-Inch (U.S.A.)

Size	Reduction ratio	Ball bearing  Page	Hinge
42 mm sq. (1.65 inch sq.)			
60 mm sq. (2.36 inch sq.)	1/3, 1/3.6, 1/5, 1/6, 1/7.5, 1/9, 1/10, 1/12.5, 1/15, 1/18, 1/20, 1/25, 1/30, 1/36, 1/50, 1/60, 1/75, 1/90, 1/100, 1/120, 1/150, 1/180	MX6G3BU – MX6G180BU B-451	
70 mm sq. (2.76 inch sq.)	1/3, 1/3.6, 1/5, 1/6, 1/7.5, 1/9, 1/10, 1/12.5, 1/15, 1/18, 1/20, 1/25, 1/30, 1/36, 1/50, 1/60, 1/75, 1/90, 1/100, 1/120, 1/150, 1/180	MX7G3BU – MX7G180BU B-451	
80 mm sq. (3.15 inch sq.)	1/3, 1/3.6, 1/5, 1/6, 1/7.5, 1/9, 1/10, 1/12.5, 1/15, 1/18, 1/20, 1/25, 1/30, 1/36, 1/50, 1/60, 1/75, 1/90, 1/100, 1/120, 1/150, 1/180	MX8G3BU – MX8G180BU B-451	
90 mm sq. (3.54 inch sq.)	40 W	MX9G3BU – MX9G180BU B-451	
	Common to 60 W, 90 W	MZ9G3BU – MZ9G200BU B-451	

Gear head for C&B motor

Size	Reduction ratio	Ball bearing  Page	Hinge
42 mm sq. (1.65 inch sq.)			
60 mm sq. (2.36 inch sq.)	1/3, 1/3.6, 1/5, 1/6, 1/7.5, 1/9, 1/10, 1/12.5, 1/15, 1/18, 1/20, 1/25, 1/30, 1/36, 1/50, 1/60, 1/75, 1/90, 1/100, 1/120, 1/150, 1/180	MX6G3H – MX6G180H B-353	
70 mm sq. (2.76 inch sq.)	1/3, 1/3.6, 1/5, 1/6, 1/7.5, 1/9, 1/10, 1/12.5, 1/15, 1/18, 1/20, 1/25, 1/30, 1/36, 1/50, 1/60, 1/75, 1/90, 1/100, 1/120, 1/150, 1/180	MX7G3H – MX7G180H B-355	
80 mm sq. (3.15 inch sq.)	1/3, 1/3.6, 1/5, 1/6, 1/7.5, 1/9, 1/10, 1/12.5, 1/15, 1/18, 1/20, 1/25, 1/30, 1/36, 1/50, 1/60, 1/75, 1/90, 1/100, 1/120, 1/150, 1/180	MX8G3H – MX8G180H B-357	
90 mm sq. (3.54 inch sq.)	40 W	MX9G3H – MX9G180H B-359	
	Common to 60 W, 90 W	MY9G3H – MY9G200H B-361	○

Selection by keywords

Motor selection guide

Variable speed	Protection of leadwires	Brake	Braking frequency	Operation mode	No. of phases	Type	Page
Constant	Leadwire protection not required	No brake required to stop		Continuous run required	Single-phase 2-pole	2-pole round-shaft motor (induction)	B-406
				Continuous run not required	Single-phase 4-pole	Induction motor (4-pole)	B- 4
				Continuous run not required	3-phase	3-phase motor	B-126
		Brake required to stop Brake to be kept applied	Low braking frequency	Continuous run required	Single-phase	Reversible motor	B- 64
				Continuous run not required	3-phase	3-phase motor with electromagnetic brake	B-202
				Continuous run not required	Single-phase	Single-phase motor with electromagnetic brake	B-178
		Brake required to stop Continuous application not required	Low braking frequency	Normal/reverse rotation	Single-phase	Reversible motor	B- 64
				Normal/reverse rotation	3-phase	3-phase motor with brake unit	B-130 + C-31
				One-directional rotation only	Single-phase	C&B motor (induction)	B-352
	Leadwire protection required	No brake required		Continuous run required	3-phase	C&B motor (3-phase motor)	B-372
				Continuous run not required	Single-phase	Induction motor with sealed connector	B- 42
				Continuous run not required	3-phase	3-phase motor with sealed connector	B-146
		Brake required Continuous application not required	Low braking frequency	Normal/reverse rotation	Single-phase	Reversible motor with sealed connector	B-104
				Normal/reverse rotation	3-phase	3-phase motor with brake unit and sealed connector	B-146 + C-31
				One-directional rotation only	Single-phase	C&B induction motor with sealed connector	B-364
			High braking frequency	One-directional rotation only	3-phase	C&B 3-phase motor with sealed connector	B-380
				One-directional rotation only	Single-phase		
				One-directional rotation only	3-phase		
Variable	No brake required to stop		Continuous run required	Single-phase	Variable speed induction	B-232 + C- 1	
			Continuous run not required	3-phase	3-phase motor (200 V) with inverter	B-130 + C-27	
			Continuous run not required	Single-phase	Variable speed reversible	B-274 + C- 1	
			Continuous run not required	Single-phase	Variable speed with electromagnetic brake	B-314 + C- 1	
	Brake required to stop Brake to be kept applied	Low braking frequency	Short-time run only (30-minutes rating)	3-phase	3-phase motor (200 V) with inverter	B-130 + C-27	
			Continuous run only	Single-phase	C&B motor (variable speed induction motor)	B-388 + C- 1	
	Brake required to stop Continuous application not required	High braking frequency	Continuous run only				
			Continuous run only				

Selection by keywords

Gear head selection guide

Size	Output	Gear type	Hinge	Bearing	Part No.	
42 mm sq. (1.65 inch sq.)	1 W to 3 W	Normal load gear	Without hinge	Ball bearing and metal	M4G□F	
60 mm sq. (2.36 inch sq.)	3 W to 6 W	Normal load gear		Ball bearing	MX6G□B(A)	
		Decimal gear for C&B motor		Metal	MX6G□M(A)	
				Ball bearing	MX6G10XB	
		Inch sized (U.S.A.)		Ball bearing	MX6G□H	
70 mm sq. (2.76 inch sq.)	10 W to 15 W	Normal load gear		Ball bearing	MX6G□BU	
		Decimal gear for C&B motor		Metal	MX7G□B(A)	
				Ball bearing	MX7G□M(A)	
		Inch sized (U.S.A.)		Ball bearing	MX7G10XB	
80 mm sq. (3.15 inch sq.)	15 W to 25 W	Normal load gear		Ball bearing	MX7G□H	
				Metal	MX7G□BU	
		Decimal gear for C&B motor		Ball bearing	MX8G□B	
				Inch sized (U.S.A.)	Metal	MX8G□M
90 mm sq. (3.54 inch sq.)	40 W	Normal load gear		Ball bearing	MX8G10XB	
		Right-angle gear		Ball bearing	MX8G□H	
				Metal	MX8G□BU	
		Decimal gear for C&B motor		Ball bearing	MX9G□B	
Inch sized (U.S.A.)	Metal			MX9G□M		
90 mm sq. (3.54 inch sq.)	60 W or larger	Permissible torque 19.6 N·m (173 lb-in)		With hinge	Ball bearing	MX9G□R
		Right-angle gear		Without hinge	Ball bearing	MX9G10XB
				With hinge	Ball bearing	MX9G□H
		Decimal gear for C&B motor		Without hinge	Ball bearing	MX9G□BU
	60 W or larger High torque type			Permissible torque 29.4 N·m (260 lb-in)	With hinge	Ball bearing
		Without hinge			Ball bearing	MZ9G□B
		Right-angle gear		Without hinge	Ball bearing	MZ9G□R
				Without hinge	Ball bearing	MZ9G10XB
Inch sized (U.S.A.)	With hinge	Ball bearing		MY9G□H		
	Without hinge	Ball bearing		MZ9G□BU		
Inch sized (U.S.A.)	With hinge	Ball bearing	MP9G□B			
	Without hinge	Ball bearing	MR9G□B			

• Gear heads are described on the respective page where the applicable motors are also described.

Control device selection guide

Power supply	Application	Type	Voltage	Part No.	Applicable motor	Page			
Single-phase	Speed change (Speed controller)	Separate type	Volume control type (pot.) International standard approved (MGSD)	100 V~120 V	MGSD*1	3 W to 90 W	C- 6		
			High-performance type (EX)	200 V~240 V	MGSD B2				
				100 V	DV113*				
			200 V	DV123*					
		Unit type	Volume control type (pot.) (US)	100 V	Unit model No. MUSN***L Controller No. DVUS***L	6 W to 90 W	Unit motor B-323 Unit controller C- 21		
				200 V	Unit model No. MUSN***Y Controller No. DVUS***Y				
			Digital display type (UX)	100 V	Unit model No. MUXN***L Controller No. DVUX***L				
				200 V	Unit model No. MUXN***Y Controller No. DVUX***Y				
		Inverter	Input single-phase 100 V Output 3-phase 200 V	M1G*A1V1X	25 W to 90 W	C- 27			
			Input single-phase 100 V Output 3-phase 200 V	M1G*A2V1X					
		3-phase	Instantaneous stop (Brake unit)	Contactless (MB48X)	For induction motor	100 V	DVMB48XZ	1 W to 90 W	C- 33
					For reversible motor	200 V			
100 V									
200 V									
For electromagnetic brake motor	100 V								
	200 V								
Contacting	Popular type (SD)			100 V	DZ9102	3 W to 90 W	C- 36		
				200 V	DZ9202				
	High-performance type (EX)			100 V	DZ9113				
				200 V	DZ9213				
Contacting	Popular type (SD)	3-phase 200 V	DZ9302	25 W to 90 W	C- 36				

Motor

Induction motor B-1

- Motor suitable for one-directional continuous running <Single-phase>
- Continuous rating
- A wide selection for various applications
- Best suitable for normal load
- IP20



Reversible motor B-63

- Offer super instant reverse characteristics <Single-phase>
- 30-minute rating
- Provided with internal simple braking mechanism
- Minimum overrun
- IP20



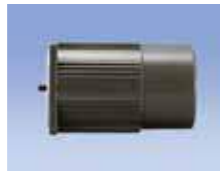
3-phase motor B-125

- Induction motor running with 3-phase supply system
- Continuous rating
- IP20



Electromagnetic brake motor B-167

- Provided with internal off brake mechanism <Single-phase motor, 3-phase motor>
- High braking and load holding torque
- IP20



Variable speed motor B-223

- Provided with internal tachometer generator
- When used with a speed controller, enables stepless speed change device
- Speed change, braking, normal/reverse, slow start, slowdown—can be operated in various modes
- Divided into 4 variations—induction, reversible, electromagnetic brake and unit <Single-phase>
- IP20



Safety standard approved motor

- Support UL, CE and CCC standards <Applicable motor>
- Induction, reversible, 3-phase, electromagnetic brake



C&B motor B-341

- Provided with clutch and brake mechanism
- Suitable for application requiring high-frequency start/stop
- IP20



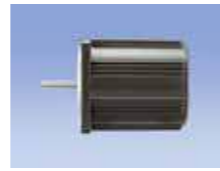
Sealed connector

- Leadwires are protected against dust, water and mechanical damage
- Motor live parts are enclosed in drip-proof and dust-proof terminal box
- Compact design, earth terminal and sealed connector for easier piping
- IP54: Pinion shaft Induction motor* (25 W to 90 W)
3-phase motor (25 W to 90 W)
- IP40: Pinion shaft Reversible motor* (25 W to 90 W)
Round shaft Induction motor* (60 W to 90 W)
Reversible motor* (60 W to 90 W)
3-phase motor (60 W to 90 W)
- IP20: Round shaft Induction motor* (25 W to 40 W)
Reversible motor* (25 W to 40 W)
3-phase motor (25 W to 40 W)
*: <Single-phase>



Round shaft motor

- Best suitable for machine requiring no speed reduction *1
- Continuous rating
- Lineup of 2-pole type and 4-pole type
- IP20
4-pole motors are described on pages for pinion motor
2-pole motor B-406
*1: <Single-phase induction motor, 3-phase motor>



Motor line-up compliant with China's energy efficiency standards.

- 3-phase motor (25 W to 90 W)
Induction motor (15 W to 90 W) <Single-phase>
Variable speed induction motor (15 W to 90 W) *
- 2-pole round-shaft motor (40 W to 150 W) *1
- * Model name attached with Ⓢ mark in the model list page B-4, B-6, B-128, B-228, B-230, B-231, B-407 are compliant products.
* : <Single-phase>
*1: <Single-phase induction motor, 3-phase motor>

Gear head

Gear head

- Typical life expectancy
Ball bearing type..... 10000 hours
Metal bearing type 2000 hours
Gear head for C&B motor 5000 hours
- * Described on pages where associated motors are described.



Right-angle gear head B-446

- Motor shaft and gear head output shaft are perpendicular to each other



Gear head-Inch (U.S.A.) B-450

- These gearheads are designed according to "inch" system.
- Reduction ratios are from 1/3 to 1/200.



Decimal gear head B-448

- Reduction ratio 1/10
- Can be placed between standard motor and gear head



High torque gear head B-444

- Permissible shaft torque 29.4 N·m (260 lb-in) (60 W or larger)



Outline of motor family

Options (speed controller, brake unit)

Special (produced to custom order) For details, contact our Help Desk.

Speed controller

Separate type C-6

MGSD type

- UL-, CE-approved international type
- Wide range of input power voltage
Single-phase 100 V system:
100 V to 120 V
Single-phase 200 V system:
200 V to 240 V



EX type

- Single-phase 100 V, 200 V
- Soft-start/soft-down and external speed setter



Unit motor B-323 + C-21

- Quick connection of motor and controller
- Simplified operation with volume type control (US)
<Single-phase 100 V, 200 V>
- Digital display, PC performs various functions (UX)
<Single-phase 100 V, 200 V>



Inverter C-27

- Speed controller for 3-phase motor
- Inverter control
<Single-phase 100 V input, 200 V input>



Brake unit

Contactless MB48X type C-33

- Single-phase contactless instant control
- For: Induction motor
Reversible motor
Electromagnetic brake motor
- Wide range of input supply :
Single-phase 100 V to 230 V
- 48 mm × 48 mm (1.89 inch × 1.89 inch) square DIN type
- 11 pin



Contacting type C-36

- Basic type of instant control
- Single-phase 100 V, 200 V
3-phase 200 V
- Rectangular type
- 8 pin

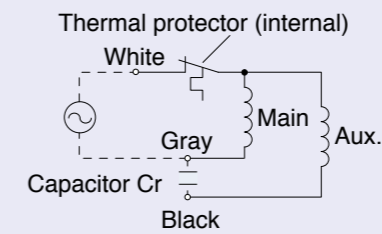


Example: Built-in thermal protector (70 mm sq. (2.76 inch sq.) or larger)

- Thermal protector is internally wired.
- The current is turned off as the temperature of motor winding exceeds the operation temperature of the thermal protector.
- Thermal protector automatically recovers as the motor winding temperature decreases. To prevent unexpected restart of the motor, turn off the motor, check safety, and then turn on the motor.

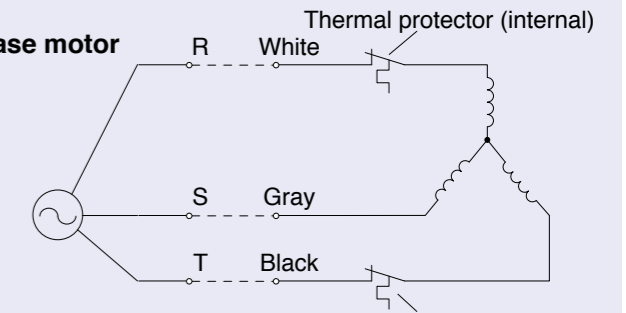
[Wiring diagram]

• Single-phase motor



CW (clockwise) connection

• 3-phase motor



CCW (counterclockwise) connection

Rating

There are limits of operation in terms of temperature rise to assure the motor performance. Rating is divided into continuous rating and short-time rating.

This defines not only the running limit against the output, but also limiting conditions such as voltage, frequency and rotational speed. These conditions are called as rated voltage, rated frequency and rated speed.

Continuous rating and short-time rating

A time rating is used to express the time during which the motor can normally output the rated power. Continuous rating indicates that the motor can provide the rated power during this period. The short-time rating indicates that the motor will reliably operate to produce the rated output for the relatively short time specified.

Output

Output represents a work which the motor can carry out in a unit time. This is determined by the rotational speed and the torque of the motor. The rated output of the motor, P0 is described in wattage

P0 (W) as;

• SI units

$$P0 = 0.1047 \times T \times N$$

T : Torque (N·m)

N : Rotational speed (r/min)

• Gravitational system of units

$$P0 = 1.027 \times T \times N$$

T : Torque (kgf·m)

N : Rotational speed (r/min)

Rated output

An optimum output performance which the motor can generate at the rated voltage and frequency. A rotational speed and torque with which the rated output is generated is called the rated speed and torque. In general, an output is referred to as the rated output.

Starting torque (see (1) in the figure)

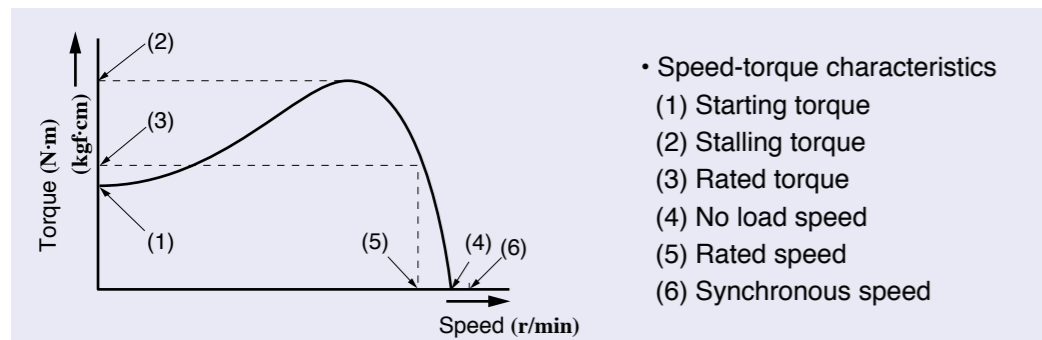
A torque which the motor generates at starting. The motor will not start if a larger load than this starting torque is applied to the motor.

Stalling torque (see (2) in the figure)

A maximum torque which the motor can generate at constant voltage and frequency. The motor will stall if a larger load than this torque is applied to the motor.

Rated torque (see (3) in the figure)

A torque of the motor generates the rated output continuously at rated voltage and frequency. This is usually referred to as a torque at the rated speed.



No load speed (see (4) in the figure)

Motor speed with no load applied. In the case of induction and reversible motor, this speed becomes a few percent lower (approx. 20 to 60 r/min) than a synchronous speed.

Rated rotational speed (see (5) in the figure)

Motor speed at which the motor generates the rated output. This is the most optimum speed.

Synchronous speed (see (6) in the figure)

An inherent speed determined by the number of poles of the motor and frequency of the power source. This is described in the following formula.

$$N_s = \frac{120}{P} f \text{ (r/min)}$$

where, N_s : Synchronous speed (r/min)

f : Frequency (Hz)

P : Number of poles

120 : Constant

For example of 4-pole motor and power source frequency is 50 Hz, then,

$$N_s = \frac{120 \times 50}{4} = 1500 \text{ (r/min)}$$

Slippage

Slippage can be described in the following formula as one of the rotational speed.

$$S = \frac{N_s - N}{N_s} \text{ or } N = N_s (1 - S)$$

where, N_s : Synchronous speed (r/min)

N : Discretionary no load speed (r/min)

when an induction motor with 4-pole, 50 Hz runs with a slippage, $S = 0.1$, then,

$$N = N_s (1 - S) = 1500 (1 - 0.1) = 1350 \text{ (r/min)}$$

Overrun

Revolutions that the motor makes from when the power source is turned off till the motor stops, and is described in the number of revolutions.

Fit tolerance

Fit tolerance symbol (JIS) is applied to dimensions of motor "Faucet face" and "Gear head" output shaft. The value of tolerance depends on the basic dimension. See the table right.

Classification of standard dimension		Shaft tolerance (unit: mm)
Over	Equal to or below	Shaft tolerance class: h7
-	3	0
		-0.01
3	6	0
		-0.012
6	10	0
		-0.015
10	18	0
		-0.018
18	30	0
		-0.021
30	50	0
		-0.025
50	80	0
		-0.03
80	120	0
		-0.035

Gear reduction ratio

A ratio of the gear head with which the gear head reduces the motor speed. Panasonic offers two groups of gear reduction ratio: one is for 3, 5, 7.5, 12.5, 15 ... and the other is 3.6, 6, 9, 15, 18 which are 1.2 times the previous group so that you can obtain approx. the same output speed for both 50 and 60 Hz. When it is necessary to fine adjust the speed smoothly use a variable speed motor and controller.

Maximum permissible torque

Maximum load torque which can be applied to the output shaft. This is determined by the mechanical strength such as material of gear head, gear teeth and bearing and the size of gear head as well as the reduction ratio.

Transmission efficiency

Efficiency with which motor torque is increased by the gear head, and described in %. This efficiency is determined by the bearing, friction of the gear tooth and resistance of lubricating oil. In general, this efficiency is approx. 90% per stage of the gear.

For example, 81 % for 2 stage configuration, and then decreases to 75 %, 70 %, 65 % as the number of stages increases. (In the case of metal gear head, this efficiency is approx. 85 % per stage of the gear.)

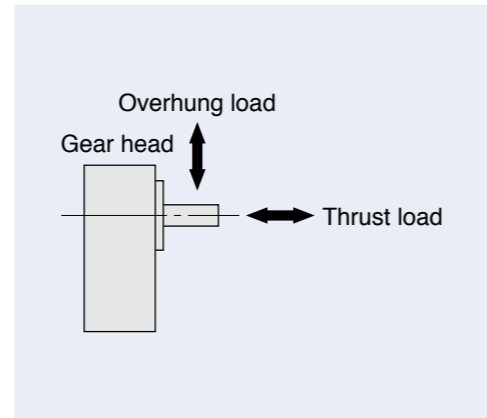
Service factor

Coefficient which is used to estimate the service life of the gear head.

This value is generally derived from experience and based on type of the load and operating conditions.

Overhung load

A vertical load applied to the output shaft of the gear head. This load is produced when the mated machine is being connected through a chain belt and the like but not produced if a coupling is used instead. Maximum value of the overhung load which is applicable to the shaft is called as "permissible overhung load". This value varies depending on the type of gear head and the distance from the edge of the shaft. This value refers to the load such as belt tension.



Thrust load

An axial load applied to the output shaft of the gear head. Maximum value of the thrust load which is applicable to the shaft is called as "permissible thrust load". This value varies depending on the type of the gear head.

Heat generation and insulation

When a current runs through the motor, heat is generated as well. This heat generation is caused by an electrical loss and mechanical loss. An electrical loss consists of (1) copper loss which is generated in the charged part due to the resistance of the coil or conductor, and (2) iron loss which is generated in the iron portion of the motor due to the resistance of the iron portion while the magnetic flux crosses them. Mechanical loss is caused by friction loss of the bearing and brake lining.

Part of this heat generation accumulated to the motor and other is dissipated to outside of the motor through radiation, convection and conduction. The difference between the generated heat and dissipated heat makes the motor temperature rise, and is called heat run or temperature rise of the motor.

The hottest part on the motor is winding. Insulation used to protect the winding must be kept at a temperature below its maximum allowable temperature. Panasonic small geared motor is provided with the heat resistance class 120 (E) insulation when it is used in Japan, or class 130 (B) insulation when used outside Japan.

The class 120 (E) insulation will withstand temperature up to 120 °C.

• Type and temperature of insulation

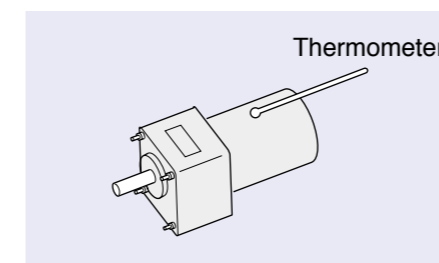
Type and temperature of insulation	Winding insulation material maximum allowable temperature	Winding temperature limit
90 (Y)	90 °C	—
105 (A)	105 °C	60 K (deg)
120 (E)	120 °C	75 K (deg)
130 (B)	130 °C	80 K (deg)
155 (F)	155 °C	100 K (deg)

When the heat resistance class 120 (E) insulation is used, the reduced maximum temperature limit on the motor frame 90 °C, at the 40 °C room temperature (max. temperature specified by JIS). This motor frame temperature will decrease to 70 °C at 20 °C room temperature. The maximum temperature limit is 50 K (deg) when measured on the frame.

Measurement of temperature rise

There are two methods to measure the temperature rise of the motor. One is to use a thermometer or thermocouple which is fixed on the center of the motor frame. The other method determines the temperature by measuring winding resistance as described below.

• Thermometer method



• Resistance method

Measure the winding resistance before and after the running, and then determine the temperature rise from the following formula.

Kθ : Temperature rise at the motor winding K (deg)

$$K\theta = \left(\frac{R2}{R1} - 1 \right) (235 + t1) + (t1 - t2)$$

R1 : Winding resistance before running (W)

R2 : Winding resistance after running (W)

t1 : Room temperature before running (°C)

t2 : Room temperature after running (°C)

Note: This method applies only to copper winding.

Temperature rise of capacitor-run induction motor and 3-phase motor

In the case of capacitor-run induction motor, temperature rise of the motor becomes highest at no load running. This means that the electrical loss becomes the maximum under no load condition and heat generation becomes larger than the loss at full load. This is because of the increase of current at primary and auxiliary winding due to the action of phase advance capacitor, and in addition to this, loss is generated to the armature by the reversed field due to the unbalance of the current.

In the case of 3-phase motor, heat generation at no load is much smaller than that of capacitor-run induction motor. However, temperature rise becomes larger as the load is increased due to the increase of input loss.

Temperature rise/cooling curve and running condition

Figure 1 shows the temperature rise and cooling curve indicating relation of time lapse and motor running.

- T0** : Start running
- T30** : 30 minutes after starting
- T ∞** : Temperature rise saturates
- T ∞ h** : Stop running
- TE** : Natural cooling to the same temperature as ambient temperature

During the time between T0 and TE, temperature θ varies as follows.

- $\theta 0$: Ambient temperature
- $\theta 30$: Temperature after 30 minutes running
- $\theta \infty$: Saturated temperature
- $\theta \infty - \theta 0$ shows the temperature rise.

Typical Panasonic motors have the following time characteristics.

- T ∞** : 2.5 to 3 (h)
- TE - T ∞** : 3 to 4 (h)

(1) Induction motor

Induction motor is rated at continuous running, and is designed so as the temperature rise, $\theta \infty - \theta 0$ of the winding is lower than 75 K (deg) (in case heat resistance class is 120 (E)) or 80 K (deg) (in case 130 (B)) international standard approved model). Therefore, the temperature does not rise beyond this when it is running continuously longer than T ∞ hours.

(2) Reversible motor

Reversible motor is 30-minute rating, and is designed so as the temperature rise, $\theta 30 - \theta 0$ of the winding after minute running is lower than 75 K (deg). (in case heat resistance class is 120 (E)) or 80 K (deg) (in case 130 (B)) international standard approved model.

Therefore, the motor may be burned out if it is used longer than 30 minutes continuously.

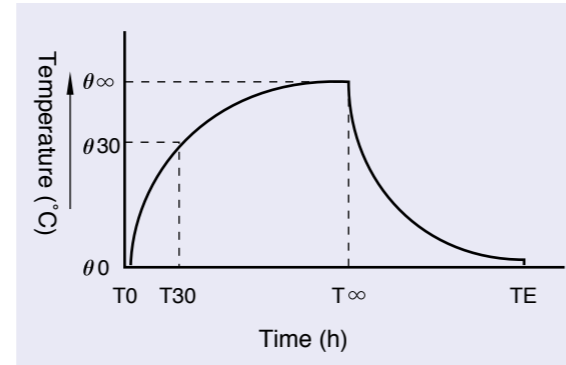
(3) Special conditions

Normal working conditions for these motors are -10 °C to +40 °C, and under 85 % RH. Special attention is required when using these motors under the following conditions A to E.

A. Under -10 °C environment

Output torque of the motor might be reduced since the viscosity of the grease of the gear head or motor bearing increases. Condensation may occur when the motor is subjected to a sudden drop in the temperature. If it occurs, rust will be generated and have an adverse effect to the service life.

• Fig. 1 Temperature rise/cooling curve



B. Over +40 °C environment

Motor winding temperature gets very hot, and will result in deterioration of insulation and may result in burnout. Also, lubricating grease of the bearing may leak out to shorten the life of the bearing, and may result in the motor lock, and then result in burnout.

C. Over 85% RH environment

This may deteriorate the winding insulation. When the products are transported by air cargo or vessel and are subjected to high temperature and humidity, pack the products in air-tight and take a necessary treatment such as insertion of drying agents.

D. Poor-ventilation environment

Same effect may appear as the above (B) condition.

If the motor is enclosed, environmental temperature gets very high, and then may shorten the service life drastically. Make a good ventilation environment by installing a vent so that the environmental temperature is kept 40 °C or less.

E. Other unfavorable environment

Operation under these conditions must be avoided:

Place where the product is subjected to; dust, water/oil/coolant splash, explosive/flammable or corrosive gas (H₂S, SO₂, NO₂, Cl₂, etc.).

(4) In the case of international standard approved model

- When using a pinion shaft motor, use it with the gear head attached.
- When using a round shaft motor, provide a means so that the heat dissipates over the machine and equipment.

<Reference>

The table below shows size and material of heat sinks.

Motor size (model No.)	Size	Material	
60 mm sq. (2.36 inch sq.) (M6.....)	100 x 100 x 5 mm (3.94 x 3.94 x 0.20 inch)	Aluminum	
70 mm sq. (2.76 inch sq.) (M7.....)	120 x 120 x 5 mm (4.72 x 4.72 x 0.20 inch)	Aluminum	
80 mm sq. (3.15 inch sq.) (M8.....)	135 x 135 x 5 mm (5.31 x 5.31 x 0.20 inch)	Aluminum	
90 mm sq. (3.54 inch sq.)	(M9*X.....)	165 x 165 x 5 mm (6.50 x 6.50 x 0.20 inch)	Aluminum
	(M9*Z.....)	195 x 195 x 5 mm (7.68 x 7.68 x 0.20 inch)	Aluminum

* The temperature of the winding should be 80 K (deg) or below when measured using resistance method after rated operation with heat sink attached.

Operation environment standard

(1) Reference

Temperature rise of winding should be limited to:

- 75 K (deg): Japanese version
- 80 K (deg): International standard approved version

(2) Measurement method

Run the motor in the worst operation pattern (in terms of temperature rise) and measure the highest motor frame temperature with a thermometer. The reading should be 90 °C or below when the ambient temperature is 40 °C.

Of course, ambient temperature will become higher if ventilation is not enough. In that case, measure the temperature at a point close to the motor.

Handling instructions

Temperature rise of motor

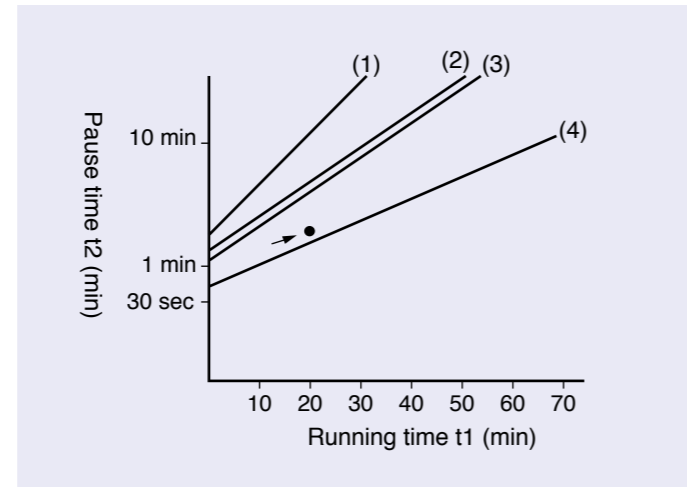
Temperature rise of reversible motor

Reversible motor is 30-minute rating when it is running alone. However, when it is used with the gear head, continuous running time will be extended thanks to heat radiation effect of the gear head. The table below shows which motor can operate continuously under such condition. When these motors are operated intermittently, the temperature rise will be saturated at certain value depending on the cycle of intermittent running.

Continuous running of reversible motor

Size	Motor model No.	Continuous running with gear head	
		50 Hz	60 Hz
60 mm sq. (2.36 inch sq.)	M6RX4G4L	○	○
	M6RX6G4L	○	○
70 mm sq. (2.76 inch sq.)	M7RX10G4L	○	×
	M7RX15G4L	○	×
80 mm sq. (3.15 inch sq.)	M8RX20G4L	○	×
	M8RX25G4L	○	×
90 mm sq. (3.54 inch sq.)	M9RX40G4L	×	×
	M9RX60G4L	×	×
	M9RX90G4L	×	×

Fig. 2 Usable range of reversible motor (intermittent)



*○: Continuous running is possible ×: Continuous running is not possible

Figure 2 shows the limit curve for continuous intermittent running for the reversible motors. Horizontal axis shows the running time t_1 and vertical axis shows the pause time t_2 . The motor can be operated for a continuous intermittent running in the range of these lines.

In this figure, each line represents as below:

- (1) Motor alone running at 60 Hz
- (2) Motor alone running at 50 Hz
- (3) Motor with gear head running at 60 Hz
- (4) Motor with gear head running at 50 Hz

For example, if you want to make continuous intermittent running of the motor alone with a cycle of $t_1 = 20$ min and $t_2 = 2$ min, the line under the crossing point of $t_1 = 20$ and $t_2 = 2$ is line (4). Hence, you can only make a continuous intermittent running with motor with gear head at 50 Hz under these conditions. If you want to run the motor alone and at 60 Hz for 20 minutes, you need to have the following pause time.

- (1) 10.1 minutes for the motor alone at 60 Hz
- (2) 4.6 minutes for the motor alone at 50 Hz
- (3) 3.8 minutes for the motor with gear head at 60 Hz

If you fix the pause time to 2 minutes and want to see how long you can run the motor continuously, find the crossing point of t_1 and each line while $t_2 = 2$ (constant), and each value becomes as below.

- (1) 2.5 minutes of running time for the motor alone at 60 Hz
- (2) 7 minutes of running time for the motor alone at 50 Hz
- (3) 10 minutes of running time for the motor with gear head at 60 Hz
- (4) 27.5 minutes of running time for the motor with gear head at 50 Hz

Impedance protect

Impedance protect is a means to prevent burning of a motor if it becomes failure i.e. in lock state, even if it is not provided with a safety device such as thermal protector. This is because the amount of current will not increase during locking state. It is blocked by the impedance produced by thin wire coil. Without this impedance protect, the motor temperature rises to 75 K (deg) or more during locking state and winding coil may be burned. Panasonic geared motors of 4-pole, 6 W or smaller are provided with the impedance protect and conform to UL standard UL2111.

The impedance protect should be activated only when its burning protection feature is absolutely necessary. This implies that the motor must be used under the maximum permissible temperature. The expected motor life decreases by the factor if 1/2, 1/4 and so on as the temperature increases in step of 8 °C beyond the maximum permissible temperature.

* UL standard specifies the impedance protect value to 125 K (deg) at winding for Japanese version and 135 K (deg) for international version.

Thermal protector

The thermal protector is a safety device which automatically turns off the motor current as the motor winding temperature exceeds the preset temperature and turns on the current again as the temperature drops below the preset temperature.

Fig. 3 Operation of thermal protector

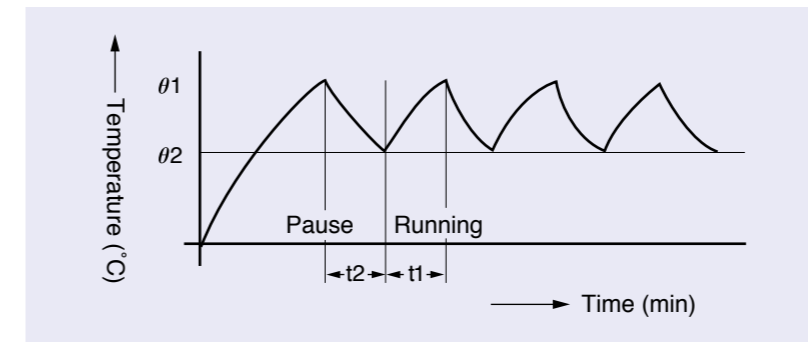


Figure 3 illustrates on/off cycle of the thermal protector. On Panasonic motors, threshold temperature is set as shown below.

Motors conforming to international standards

θ_1 (open) 130 °C ± 5 °C

θ_2 (closed) 90 °C ± 15 °C

Japanese version, variable speed 90 W motors

θ_1 (open) 120 °C ± 5 °C

θ_2 (closed) 77 °C ± 15 °C

These settings and time t_1 and t_2 vary depending on operating environment and loads.


For compact geared motor with thermal protector, refer to the separate Panasonic international motor catalog.


Handling instructions

Safety Precautions

The following explanations are for things that must be observed in order to prevent harm to people and damage to property.

- Misuses that could result in harm or damage are shown as follows, classified according to the degree of potential harm or damage.

 **Danger** Indicates great possibility of death or serious injury.

 **Caution** Indicates the possibility of injury or property damage.

- The following indications show things that must be observed.




Indicates something that must not be done.




Indicates something that must be done.

Danger

	Don't expose the equipment to water, corrosive environment or flammable gas or close to flammable material.	Will cause fire.
	Don't place a flammable object close to the speed controller and motor.	
	Don't use the product in a place subject to excessive vibration or shock.	Will cause electric shock, personal injury or fire.
	Don't use cables soaked in water or oil.	Will cause electric shock, malfunction or damage.
	Don't attempt to carry out wiring or manual operation with wet hand.	Will cause electric shock, personal injury or fire.
	Don't damage cables or subject cables to excessive stress such as strong pressure, heavy object and clamping load.	Will cause electric shock, malfunction or damage.
	Don't make soldering joint on a round pin of the speed controller.	Will cause fire.
	Don't drive the 380/400 VAC 3-phase motor from the inverter.	Will cause electric shock, personal injury, fire, malfunction or damage.
	Don't touch potentially hot motor casing.	Will cause burn injury.
	Never touch rotating member of the motor.	Will cause personal injury.
Never remove the speed setting knob from the controller.	Will cause electric shock or personal injury such as skin burn.	


Danger

	Installation area should be free from excessive dust, and from splashing water and oil.	Failure to heed this precaution will result in electric shock, fire, malfunction or damage.
	Install the unit to a nonflammable construction (e.g. metal).	Installation on a flammable material may cause fire.
	Wiring work should be done by a qualified electrician.	Wiring work done by an inexperienced person will cause electric shock.
	Correctly run and arrange wiring.	Wrong wiring will cause personal injury or electric shock.
	After correctly connecting cables, insulate the live parts with insulator.	Incorrect wiring will result in short circuit, electric shock, fire or malfunction.
	Ground the motor to the earth.	Floating ground circuit will cause electric shock.
	Correctly run wirings to the external speed setter and tachogenerator.	Incorrect wiring will result in short circuit, electric shock, personal injury, etc.
	Install the product in the control board to make its terminal block inaccessible.	Failure to heed this requirement will result in electric shock, personal injury, fire, malfunction or damage.
	Securely install and fix the equipment to prevent bodily injury or fire in case of earthquake.	Failure to heed these requirements will result in electric shock, personal injury or fire, malfunction or damage.
	Provide emergency stop circuit externally for instantaneous interruption of operation and power supply.	
Install overcurrent protection device, ground-fault circuit interrupter, overtemperature protecting device, and emergency stop device.	Failure to heed these requirements will result in electric shock, personal injury or fire.	
After an earthquake, first verify safety.		
Turn off power upon power interruption or activation of overtemperature protecting device.	Unpredictable restarting will cause personal injury.	
Before transferring, wiring or checking, disconnect the power source from the motor system for safe isolation.	Energized circuit will cause electric shock.	


Handling instructions

Safety Precautions

Caution

	Don't move the motor by holding cables or motor shaft.	Failure to heed these precautions cause bodily injury.
	Don't drop or cause topple over of something during transportation or installation.	Failure to heed this instruction will result in personal injury or malfunction.
	Don't step on the product. Don't place heavy object on the product.	Failure to heed this instruction will result in electric shock, personal injury, malfunction or damage.
	Don't use the equipment under direct sunshine.	Failure to heed these instructions will cause personal injury or fire.
	Don't use the equipment in highly intensive electric field.	
	Don't use the equipment in an environment where electro-static voltage potentials may be produced.	Induced malfunction will cause personal injury.
	Don't block the motor air opening by an object.	Failure to heed this instruction will result in electric shock or fire.
	Don't apply excessive shock to the product.	Excessive shock will cause failure.
	Don't apply excessive shock to the motor shaft.	
	Don't turn off and on power so frequently.	Failure to heed this instruction will result in personal injury, fire, malfunction or damage.
	Don't put the machine into unstable operation.	Failure to heed these precautions cause bodily injury.
	Don't energize the C&B motor clutch and brake at the same time.	Failure to heed this instruction will result in fire, electric shock, or malfunction.
	Don't use smaller variable transformer or transformer.	
	Don't pull cables with an excessive force.	Failure to heed this instruction will result in electric shock, personal injury or fire.
	Don't lock the motor shaft while the motor is running.	Locked motor will cause fire, electric shock, or malfunction.
	Once power failure occurs, don't come close to the machine that will unexpectedly start upon recovery of the power. Provide secure mechanism so that the restarting of the machine will not cause personal injury.	Failure to heed these precautions cause bodily injury.
	Don't operate the product outside its ratings stated on the nameplate and instruction manual.	Failure to heed this instruction will result in personal injury, electric shock, fire, malfunction or damage.
	Never attempt to perform modification, disassembly or repair.	Failure to heed this instruction will result in fire, electric shock or personal injury.

Caution

	Perform installation by taking into consideration the mass of the body and rated output of the product.	Incorrect installation or mounting will cause personal injury or malfunction.
	Exactly follow the installing method and direction specified.	
	Don't place any obstacle object around the motor and peripheral, which blocks air passage.	Temperature rise will cause burn injury or fire.
	Adjust the motor and speed controller ambient environmental condition to match their operating temperature and humidity.	Incorrect installation or mounting will cause personal injury or malfunction.
	Connect a ground-fault interrupter, circuit breaker and relay to the brake control relay in series so that they are turned off upon emergency stop.	Missing of one of these devices will cause malfunction.
	Provide protection device against slippage of brake or gear head, or grease leakage from gear head.	Lack of protection will cause personal injury, damage or pollution.
	Always install a safety system that will back up the braking system failing to operate due to power interruption or voltage drop.	Lack of protection will cause personal injury, damage or malfunction.
	Use the speed controller in combination with the specified motor.	Incorrect combination will cause fire.
	Level of input voltage to a peripheral block should correspond to the motor rated voltage.	Operation from a voltage outside the rated voltage will cause electric shock, personal injury or fire.
	Test-run the securely fixed motor without load to verify normal operation, and then connect it to the mechanical system.	Operation with a wrong model or wrong wiring connection will result in personal injury.
	Maintenance must be performed by an experienced personnel.	Wrong wiring will cause personal injury or electric shock.
	Always keep power disconnected when the power is not necessary for a long time.	Improper operation will cause personal injury.
Scraps must be treated as industrial waste.		

Operating instruction

• Before running the motor


Check the following points:

- Correct wiring to the power source?
- Secure grounding to earth?
- Appropriate fuse and circuit breaker?
- No loose connection to the machine? No loose tightening bolts?
- No oil or grease leakage nor blot?

• Trial running

Make a trial run:

- (1) Without a load, turn on the motor and gear head to verify the rotational direction and speed, and check for abnormal state, i.e. vibration, noise, etc. Install the motor and gear head on the machine.

	Check rotating direction	Unexpected operation or movement will cause malfunction or personal injury.
---	---------------------------------	---

- (2) Turn on power and verify that the motor runs smoothly and the bearing and gear head produce no abnormal sounds.

• While motor is running

Check the load:

- Measure the current flow rate and adjust the load so that the current value is well below the rating described on the nameplate.
- When the reduction ratio of the gear head is 1/50 or more, the torque will exceed the permissible shaft torque even if the measured current value is lower than nameplate rating. If this is the case, decrease the load.

Check the temperature rise of the motor:

- Temperature rise will saturate by 3 hours after starting the motor. For the reversible motor and single-phase induction motor with electromagnetic brake, observe the time rating of 30 minutes.
- Keep the frame temperature 90 °C or below when the ambient temperature is 40 °C.

• At power failure:

- Immediately turn off main power switch.
- Unexpected accident may occur when the power recovers while the switch is in on position; or the motor may not start if the load is too heavy and the winding may burn.

• While the motor is running:

- Do not touch the motor since it gets very hot. (Or it may result in burn injury.)
- Turn off the motor as the system shows unexpected behavior. (Consult the local agent as necessary.)

• Other precautions:

Check the starting voltage:

With the geared motor installed on the machine, check the starting voltage of the motor using a variable transformer and voltmeter. The voltage should be lower than the value shown below.

- (1) Reversible motor: 70 % of the rated voltage
- (2) Induction motor: 80 % of the rated voltage

- The machine may not start if the voltage fluctuates. The machine may not start because of change in the static friction torque due to the aging or temperature, or fluctuation of the motor.

Inspection and maintenance

Periodically perform check and maintenance to assure safe and reliable operation.

• Practical considerations for maintenance

- To secure safety during maintenance operation, turning off/on of power supply must be done by the personnel who is responsible for the current maintenance work.
- Do not touch the motor while it is still running or immediately after it stops. (Motor is hot.)
- Before starting the megger testing of the motor (to measure the insulation resistance), completely disconnect it from associated devices and components. Otherwise, the megger tester will damage the devices under test.

• Daily check

- Perform the daily check to prevent potential problems.
- Perform appropriate corrections upon finding any failure or defective.

Check item	Checking method	Description
Change in voltage	Voltmeter	Rated voltage $\pm 2\%$ to 3% . Although the specification assures normal operation within $\pm 10\%$ deviation, the motor performance and life are not secured.
Load current	Ammeter	As indicated on the nameplate
Ambient temperature	Thermometer	$-10\text{ }^\circ\text{C}$ to $+40\text{ }^\circ\text{C}$
Temperature rise	Thermometer	$90\text{ }^\circ\text{C}$ or below on frame surface (ambient temperature $40\text{ }^\circ\text{C}$)
Noise	Auditory perception	No increase in abnormal sound or noise level
Vibration	Vibrometer/feeling	No abnormal vibration
Deposition of powder dust	Visual	Flow of cooling air is not disturbed by dust and powder
Oil leakage	Visual	No oil or grease from joint to gear head or from output shaft
Insulation resistance	Insulating-resistance tester	Connect the 500 V megger across motor lead and earth terminal. The reading should be $50\text{ M}\Omega$ or more.
Grease leakage	Visual	Check exterior and peripheral of motor and gear head for coat of grease or oil. If the leakage will affect the application, use cover as necessary for protection.
Foundation bolt	Torque wrench	Check bolts for loosening and retighten as necessary.

• Periodic check (once/1 to 2 month)

- Motor: dust accumulation
- Casing: deformation or corrosion
- Insulation resistance: $1\text{ M}\Omega$ or more (across frame and leads)

Operating conditions

Ambient temperature	$-10\text{ }^\circ\text{C}$ to $+40\text{ }^\circ\text{C}$
Ambient humidity	85 %RH or less
Altitude	1000 m or lower
Vibration	4.9 m/s^2 or less
Operating voltage	Nameplate rating $\pm 10\%$ *
Operating frequency	50 Hz or 60 Hz as specified on the nameplate

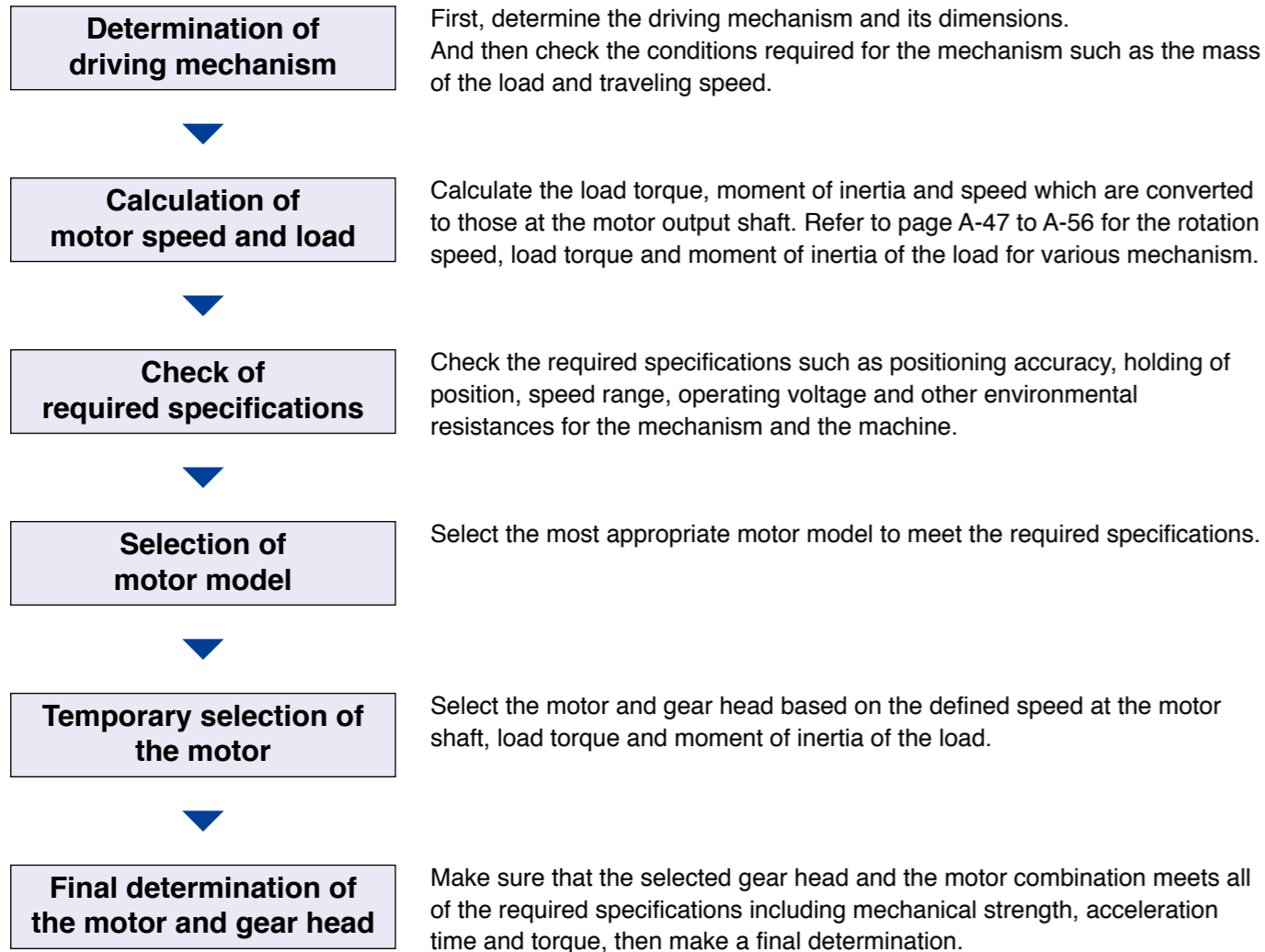
* $\pm 10\%$ is not a guaranteed value for continuous running condition.

Installation requirements

Install the geared motor at the optimal location as described below for prolonged service life.

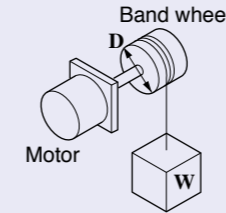
- (1) Indoor free from rain and direct sunlight
- (2) Free from vibration 4.9 m/s^2 or more; shock, dust, iron powder or oil mist; splash of water, oil and grinding fluid; and away from flammable materials, corrosive gas (H_2S , SO_2 , NO_2 , Cl_2 , etc.) or flammable gas.
- (3) Well ventilated dry and clean location containing negligible amount of oil or dust, and away from heat source i.e. oven.
- (4) Location that allows easier access for checking and cleaning of the unit.
- (5) Don't use the motor in a closed environment where the motor temperature increases, shortening the life.

Selecting procedure



Checking of load torque

Hoisting application



• **SI units**

$$T = \frac{1}{2} D \cdot W \text{ (N}\cdot\text{m)}$$

D : Diameter of drum (m)

W : Load (N)

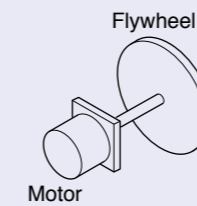
• **Gravitational system of units**

$$T = \frac{1}{2} D \cdot W \text{ (kgf}\cdot\text{m)}$$

D : Diameter of drum (m)

W : Load (kgf)

Flywheel application



• **SI units**

$$T = \frac{J}{9.55 \times 10^4} \cdot \frac{N}{t} \text{ (N}\cdot\text{m)}$$

N : Rotating speed (r/min)

J : Inertia (kg·cm²)

t : Time (s)

• **Gravitational system of units**

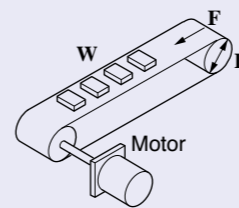
$$T = \frac{GD^2}{3750000} \cdot \frac{N}{t} \text{ (kgf}\cdot\text{m)}$$

N : Rotating speed (r/min)

GD² : Flywheel effect (kgf·cm²)

t : Time (s)

Belt conveyor application



• **SI units**

$$T = \frac{1}{2} D (F + \mu Wg) \text{ (N}\cdot\text{m)}$$

D : Diameter of roll (m)

W : Mass of load (kg)

g : Gravitational acceleration 9.8 (m/s²)

μ : Friction coefficient

F : External force (N)

• **Gravitational system of units**

$$T = \frac{1}{2} D (F + \mu W) \text{ (kgf}\cdot\text{m)}$$

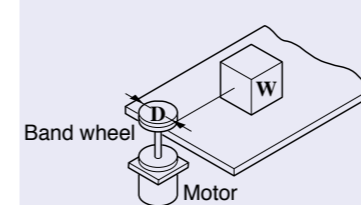
D : Diameter of roll (m)

W : Weight of load (kgf)

μ : Friction coefficient

F : External force (kgf)

Horizontal travel on contact face



• **SI units**

$$T = \frac{1}{2} D \cdot \mu Wg \text{ (N}\cdot\text{m)}$$

D : Diameter of drum (m)

W : Mass (kg)

g : Gravitational acceleration 9.8 (m/s²)

μ : Friction coefficient

• **Gravitational system of units**

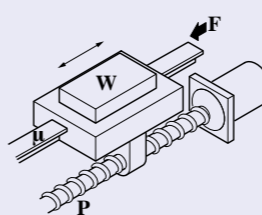
$$T = \frac{1}{2} D \cdot \mu W \text{ (kgf}\cdot\text{m)}$$

D : Diameter of drum (m)

W : Weight (kgf)

μ : Friction coefficient

Ball screw drive



• **SI units**

$$T = \frac{1}{2\pi} P (F + \mu Wg) \text{ (N}\cdot\text{m)}$$

F : External force (N)

W : Mass of load (kg)

μ : Friction coefficient of sliding surfaces (approx. 0.05 to 0.2)

g : Gravitational acceleration 9.8 (m/s²)

P : Lead of ball screw (m)

• **Gravitational system of units**

$$T = \frac{1}{2\pi} P (F + \mu W) \text{ (kgf}\cdot\text{m)}$$

F : External force (kgf)

W : Weight of load (kgf)

μ : Friction coefficient of sliding surfaces (approx. 0.05 to 0.2)

P : Lead of ball screw (m)

To describe the moment of inertia, **J** and **GD²** is used. **J** is generally called inertia and has the same value of physical moment of inertia in SI units. Unit is in **kg·m²**.

GD² (GD square) is called “flywheel effect” and generally used in industrial application with gravitational systems of units. Unit is in **kgf·m²** or **kgf·cm²**. A relation between **J** and **GD²** is described as:

$$\mathbf{J} = \mathbf{GD}^2 / 4$$

For the purpose of this document, both **J** for SI units and **GD²** for gravitational system of units are used. Unit of **J** should be **kg·m²** in dynamical significance, however, **kg·cm²** is used as well for convenience. Refer to pages A-52 and A-53 for calculation of **J** and **GD²** depending on the shape of the load.

Checking of permissible inertia load

When the load inertia **J** connected to the gear head is large, frequent starting of the motor or electromagnetic brake generates a large torque. If this impact is excessive, it may damage the gear head and the motor. Since inertia varies with types of the load, the tables on pages A-52 and A-53 describe how to calculate inertia of different shape loads. The inertia of the load significantly affects life expectancy of gear and electromagnetic brake. When applying the braking force by using the electromagnetic brake or brake unit, do not exceed a permissible load inertia set for a specific model.

The permissible load inertia to a 3-phase motor is the inertia applied to the motor after it stops and then starts in the opposite direction.

- Find the load inertia to the motor shaft from the following formula. (SI units system)

$$\mathbf{J_M} = \mathbf{J_G} \times \frac{1}{i^2}$$

J_G : Inertia of gear head output shaft (**kg·cm²**)
J_M : Permissible inertia at motor shaft (**kg·cm²**)
i : Reduction ratio (e.g. 5 if the ratio is 1/5)

* The formula also applies to **GD²** system.

- Find the permissible load inertia moment at gear head output shaft from the following formula.

When reduction ratio is 1/3 to 1/50, **J_G = J_M × i²**

When reduction ratio is 1/60 or larger, **J_G = J_M × 2500**

J_G : Permissible load inertia moment at gear head output shaft (**kg·cm²**)
J_M : Permissible inertia at motor shaft (**kg·cm²**)
i : Reduction ratio (e.g. 5 if the ratio is 1/5)

Permissible inertia (**J_M**) at motor shaft varies with motors. To find the inertia for the motor in question, refer to tables on pages A50 and A51.

Motor and load inertia

The equation of motion is described as below when the inertia load is driven by the motor.

$$\mathbf{T} = \mathbf{J}\alpha = \mathbf{J} \cdot \frac{d\omega}{dt} = \frac{\mathbf{GD}^2}{4} \cdot \frac{d\omega}{dt} = \frac{2\pi}{60} \cdot \frac{\mathbf{GD}^2}{4} \cdot \frac{dn}{dt}$$

where,

T : Torque (**N·m**)
J : Moment of inertia (**kg·m²**)
 ω : Angular speed (**rad/s**)
t : Time (**s**)
n : Rotational speed (**r/s**)
GD²: Flywheel effect (**GD² = 4J**)
g : Gravitational acceleration = 9.8 (**m/s²**)
 α : Angular acceleration (**rad/s²**)

In the case of induction motor, torque generated at the starting varies depending on the speed. Therefore, an average acceleration torque is generally used, which is the averaged torque from the starting and the constant speed.

A necessary average acceleration torque **T_A** to accelerate the load inertia of **J** (**kg·cm²**) (**GD²** (**kgf·cm²**)) up to a speed **n** (**r/min**) in time **t** (**s**) can be obtained by the following formula.

- SI units

$$\mathbf{T_A} = \frac{\mathbf{J}}{9.55 \times 10^4} \times \frac{\mathbf{N}}{\mathbf{t}} \quad (\mathbf{N \cdot m})$$

- Gravitational system of units

$$\mathbf{T_A} = \frac{\mathbf{GD}^2}{3750000} \times \frac{\mathbf{N}}{\mathbf{t}} \quad (\mathbf{kgf \cdot cm})$$

Motor selection

Inertia

Life of motor brake

Load inertia affects a lot to the life of the brake.

In the case of brake unit and variable speed motor, braking life is 2 million cycles, and in the case of a motor with electromagnetic brake, life is one million cycles.

Motor self-inertia, average acceleration torque and permissible load inertia

- When using single-phase induction motor and brake unit
- When using single-phase variable speed induction motor and electric brake of speed controller
- When using 3-phase induction motor and brake unit

No. of phases	Size	Output (W)	Rotor inertia			Average acceleration torque			Permissible load inertia at motor shaft				
			J (kg·cm ²)	J (oz-in ²)	GD ² (kgf·cm ²)	(N·m)	(oz-in)	(kgf·cm)	J (kg·cm ²)	J (oz-in ²)	GD ² (kgf·cm ²)		
Single-phase Induction	42 mm sq. (1.65 inch sq.)	1	0.027	0.148	0.106	50 Hz 60 Hz	0.0127 0.0146	1.80 2.07	0.13 0.15	0.0125	0.068	0.05	
		3	0.027	0.148	0.106	50 Hz 60 Hz	0.0127 0.0146	1.80 2.07	0.13 0.15	0.0125	0.068	0.05	
	60 mm sq. (2.36 inch sq.)	3	0.103	0.563	0.412	50 Hz 60 Hz	0.0353 0.0333	5.00 4.72	0.36 0.34	0.125	0.683	0.50	
		6	0.163	0.891	0.650	50 Hz 60 Hz	0.0549 0.0529	7.77 7.49	0.56 0.54	0.125	0.683	0.50	
	70 mm sq. (2.76 inch sq.)	10	0.221	1.208	0.883	50 Hz 60 Hz	0.0755 0.0745	10.69 10.55	0.77 0.76	0.125	0.683	0.50	
		15	0.322	1.761	1.286	50 Hz 60 Hz	0.0971 0.0951	13.75 13.47	0.99 0.97	0.125	0.683	0.50	
	80 mm sq. (3.15 inch sq.)	15	0.438	2.395	1.751	50 Hz 60 Hz	0.126 0.118	17.84 16.71	1.28 1.20	0.138	0.755	0.55	
		25	0.578	3.160	2.311	50 Hz 60 Hz	0.199 0.201	28.18 28.46	2.03 2.05	0.138	0.755	0.55	
	90 mm sq. (3.54 inch sq.)	40	1.287	7.037	5.146	50 Hz 60 Hz	0.319 0.319	45.17 45.17	3.25 3.25	0.4	2.187	1.60	
		60	1.787	9.770	7.147	50 Hz 60 Hz	0.524 0.522	74.20 73.92	5.34 5.32	0.650	3.554	2.60	
	3-phase	80 mm sq. (3.15 inch sq.)	25	0.578	3.160	2.311	50 Hz 60 Hz	0.310 0.316	43.90 44.75	3.16 3.22	0.138	0.755	0.55
			40	1.287	7.037	5.146	50 Hz 60 Hz	0.667 0.513	94.46 72.65	6.80 5.23	0.4	2.187	1.60
90 mm sq. (3.54 inch sq.)		60	1.787	9.770	7.147	50 Hz 60 Hz	1.03 0.767	145.86 108.62	10.50 7.82	0.650	3.554	2.60	
		90	2.211	12.089	8.843	50 Hz 60 Hz	1.46 1.065	206.75 150.82	14.89 10.86	0.650	3.554	2.60	

- When using single-phase reversible motor and brake unit
- When using single-phase variable speed reversible motor and electric brake of speed controller

No. of phases	Size	Output (W)	Rotor inertia			Average acceleration torque			Permissible load inertia at motor shaft			
			J (kg·cm ²)	J (oz-in ²)	GD ² (kgf·cm ²)	(N·m)	(oz-in)	(kgf·cm)	J (kg·cm ²)	J (oz-in ²)	GD ² (kgf·cm ²)	
Single-phase Reversible	42 mm sq. (1.65 inch sq.)	1	0.029	0.159	0.114	50 Hz 60 Hz	0.0140 0.0153	1.98 2.17	0.14 0.16	0.0125	0.068	0.05
		4	0.113	0.618	0.452	50 Hz 60 Hz	0.0402 0.0392	5.69 5.55	0.41 0.40	0.125	0.683	0.50
	60 mm sq. (2.36 inch sq.)	6	0.173	0.946	0.691	50 Hz 60 Hz	0.0539 0.0549	7.63 7.77	0.55 0.56	0.125	0.683	0.50
		10	0.235	1.284	0.940	50 Hz 60 Hz	0.0676 0.0657	9.57 9.30	0.69 0.67	0.125	0.683	0.50
	70 mm sq. (2.76 inch sq.)	15	0.336	1.837	1.343	50 Hz 60 Hz	0.105 0.101	14.87 14.30	1.07 1.03	0.125	0.683	0.50
		20	0.460	2.515	1.839	50 Hz 60 Hz	0.146 0.141	20.68 19.97	1.49 1.44	0.138	0.755	0.55
	80 mm sq. (3.15 inch sq.)	25	0.600	3.280	2.399	50 Hz 60 Hz	0.218 0.205	30.87 29.03	2.22 2.09	0.138	0.755	0.55
		40	1.341	7.332	5.363	50 Hz 60 Hz	0.400 0.381	56.64 53.95	4.08 3.89	0.4	2.187	1.60
	90 mm sq. (3.54 inch sq.)	60	1.841	10.066	7.364	50 Hz 60 Hz	0.621 0.600	87.94 84.97	6.33 6.12	0.650	3.554	2.60
		90	2.265	12.384	9.060	50 Hz 60 Hz	0.796 0.736	112.72 104.23	8.12 7.51	0.650	3.554	2.60

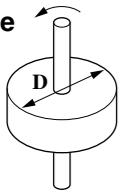
- When using single-phase electromagnetic brake motor
- When using single-phase variable speed reversible motor and electric brake of speed controller

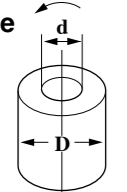
No. of phases	Size	Output (W)	Rotor inertia			Average acceleration torque			Permissible load inertia at motor shaft			
			J (kg·cm ²)	J (oz-in ²)	GD ² (kgf·cm ²)	(N·m)	(oz-in)	(kgf·cm)	J (kg·cm ²)	J (oz-in ²)	GD ² (kgf·cm ²)	
Single-phase Reversible	60 mm sq. (2.36 inch sq.)	6	0.201	1.099	0.805	50 Hz 60 Hz	0.0637 0.0647	9.02 9.16	0.65 0.66	0.080	0.437	0.32
		15	0.329	1.799	1.316	50 Hz 60 Hz	0.120 0.114	16.99 16.14	1.22 1.16	0.158	0.864	0.63
	80 mm sq. (3.15 inch sq.)	25	0.603	3.299	2.411	50 Hz 60 Hz	0.235 0.222	33.28 31.44	2.40 2.26	0.178	0.973	0.71
		40	1.362	7.447	5.446	50 Hz 60 Hz	0.439 0.420	62.17 59.48	4.48 4.28	0.735	4.019	2.94
	90 mm sq. (3.54 inch sq.)	60	1.862	10.180	7.447	50 Hz 60 Hz	0.639 0.615	90.49 87.09	6.52 6.27	0.875	4.784	3.50
		90	2.353	12.865	9.413	50 Hz 60 Hz	0.859 0.804	121.64 113.86	8.76 8.20	1	5.468	4.0
3-phase	80 mm sq. (3.15 inch sq.)	25	0.603	3.297	2.411	50 Hz 60 Hz	0.388 0.306	54.95 43.33	3.96 3.12	0.178	0.973	0.71
		40	1.362	7.447	5.446	50 Hz 60 Hz	0.667 0.513	94.46 72.65	6.80 5.23	0.735	4.019	2.94
	90 mm sq. (3.54 inch sq.)	60	1.862	10.180	7.447	50 Hz 60 Hz	1.031 0.767	146.00 108.62	10.51 7.82	0.875	4.784	3.50
		90	2.286	12.499	9.143	50 Hz 60 Hz	1.429 1.065	202.36 150.82	14.57 10.86	1	5.468	4.0

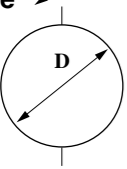
Motor selection

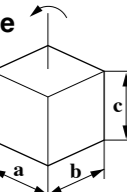
Inertia

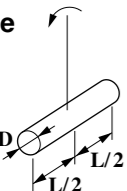
How to calculate moment of inertia

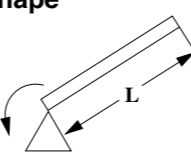
• Disk	J (Inertia calculation)	GD ² (Flywheel effect calculation)
• Shape 	$J = \frac{1}{8} WD^2 \text{ (kg}\cdot\text{cm}^2\text{)}$ <p>W : Mass (kg) D : Outer diameter (cm)</p>	$GD^2 = \frac{1}{2} WD^2 \text{ (kgf}\cdot\text{cm}^2\text{)}$ <p>W : Weight (kgf) D : Outer diameter (cm)</p>

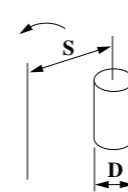
• Hollow circular cylinder	J (Inertia calculation)	GD ² (Flywheel effect calculation)
• Shape 	$J = \frac{1}{8} W (D^2 + d^2) \text{ (kg}\cdot\text{cm}^2\text{)}$ <p>W : Mass (kg) D : Outer diameter (cm) d : Inner diameter (cm)</p>	$GD^2 = \frac{1}{2} W (D^2 + d^2) \text{ (kgf}\cdot\text{cm}^2\text{)}$ <p>W : Weight (kgf) D : Outer diameter (cm) d : Inner diameter (cm)</p>

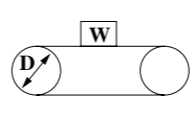
• Sphere	J (Inertia calculation)	GD ² (Flywheel effect calculation)
• Shape 	$J = \frac{1}{10} WD^2 \text{ (kg}\cdot\text{cm}^2\text{)}$ <p>W : Mass (kg) D : Diameter (cm)</p>	$GD^2 = \frac{2}{5} WD^2 \text{ (kgf}\cdot\text{cm}^2\text{)}$ <p>W : Weight (kgf) D : Diameter (cm)</p>

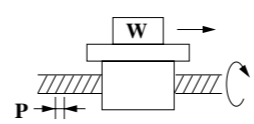
• Cube	J (Inertia calculation)	GD ² (Flywheel effect calculation)
• Shape 	$J = \frac{1}{12} W (a^2 + b^2) \text{ (kg}\cdot\text{cm}^2\text{)}$ <p>W : Mass (kg) a, b : Length of side (cm)</p>	$GD^2 = \frac{1}{3} W (a^2 + b^2) \text{ (kgf}\cdot\text{cm}^2\text{)}$ <p>W : Weight (kgf) a, b : Length of side (cm)</p>

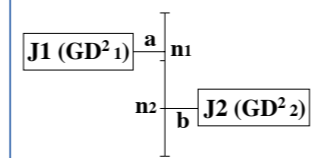
• Slender round bar	J (Inertia calculation)	GD ² (Flywheel effect calculation)
• Shape 	$J = W \frac{3D^2 + 4L^2}{48} \text{ (kg}\cdot\text{cm}^2\text{)}$ <p>W : Mass (kg) D : Outer diameter (cm) L : Length (cm)</p>	$GD^2 = W \frac{3D^2 + 4L^2}{12} \text{ (kgf}\cdot\text{cm}^2\text{)}$ <p>W : Weight (kgf) D : Outer diameter (cm) L : Length (cm)</p>

• Straight bar	J (Inertia calculation)	GD ² (Flywheel effect calculation)
• Shape 	$J = \frac{1}{3} WL^2 \text{ (kg}\cdot\text{cm}^2\text{)}$ <p>W : Mass (kg) L : Length (cm)</p>	$GD^2 = \frac{4}{3} WL^2 \text{ (kgf}\cdot\text{cm}^2\text{)}$ <p>W : Weight (kgf) L : Length (cm)</p>

• Discrete shaft	J (Inertia calculation)	GD ² (Flywheel effect calculation)
• Shape 	$J = \frac{1}{8} WD^2 + WS^2 \text{ (kg}\cdot\text{cm}^2\text{)}$ <p>W : Mass (kg) D : Diameter (cm) S : Turning radius (cm)</p>	$GD^2 = \frac{1}{2} WD^2 + 4WS^2 \text{ (kgf}\cdot\text{cm}^2\text{)}$ <p>W : Weight (kgf) D : Diameter (cm) S : Turning radius (cm)</p>

• Horizontal linear motion	J (Inertia calculation)	GD ² (Flywheel effect calculation)
• Shape 	$J = \frac{WD^2}{4} \text{ (kg}\cdot\text{cm}^2\text{)}$ <p>W : Mass on the conveyor (kg) D : Drum diameter (cm) * Inertia of drum not included</p>	$GD^2 = WD^2 \text{ (kgf}\cdot\text{cm}^2\text{)}$ <p>W : Weight on the conveyor (kgf) D : Drum diameter (cm) * Flywheel effect of drum not included</p>

• Ball screw	J (Inertia calculation)	GD ² (Flywheel effect calculation)
• Shape 	$J = JA + \frac{W \cdot P^2}{4\pi^2} \text{ (kg}\cdot\text{cm}^2\text{)}$ <p>W : Mass (kg) P : Lead of feed screw (cm) JA : Inertia of feed screw (kg·cm²)</p>	$GD^2 = GD_A^2 + \frac{W \cdot P^2}{\pi^2} \text{ (kgf}\cdot\text{cm}^2\text{)}$ <p>W : Weight (kgf) P : Lead of feed screw (cm) GD_A : Flywheel effect of feed screw (kgf·cm²)</p>

• Reducer	J (Inertia calculation)	GD ² (Flywheel effect calculation)
• Shape 	<p>Equivalent all inertia on axis "a"</p> $J = J1 + \left(\frac{n2}{n1}\right)^2 J2 \text{ (kg}\cdot\text{cm}^2\text{)}$ <p>n₁ : Speed of axis "a" (r/min) n₂ : Speed of axis "b" (r/min) J₁ : J of axis "a" (kg·cm²) J₂ : J of axis "b" (kg·cm²)</p>	<p>Equivalent all flywheel effect on axis "a"</p> $GD^2 = GD^2_1 + \left(\frac{n2}{n1}\right)^2 GD^2_2 \text{ (kgf}\cdot\text{cm}^2\text{)}$ <p>n₁ : Speed of axis "a" (r/min) n₂ : Speed of axis "b" (r/min) GD²₁ : GD² of axis "a" (kgf·cm²) GD²₂ : GD² of axis "b" (kgf·cm²)</p>

Motor selection

Service factor

Life expectancy of motor varies depending on load fluctuation. To determine the life expectancy, a factor called service factor, as shown in the table below is used. First choose the appropriate service factor according to the type of load and multiply the result by the required power to determine the design power.

• Service factor

Type of load	Typical load	Service factor		
		5 hours/day	8 hours/day	24 hours/day
Constant	Belt conveyor, One-directional rotation	0.8	1.0	1.5
Light-impact	Start/Stop, Cam-drive	1.2	1.5	2.0
Medium-impact	Instant FWD/REV, Instant stop	1.5	2.0	2.5
Heavy-impact	Frequent medium-impact	2.5	3.0	3.5

• Standard life expectancy

	Life (hours)		Life (hours)
Ball bearing	10000 hours*	42 mm sq.	2000 hours
Metal bearing	2000 hours	Round shaft	10000 hours*
Right-angle	5000 hours	for C&B motor	5000 hours

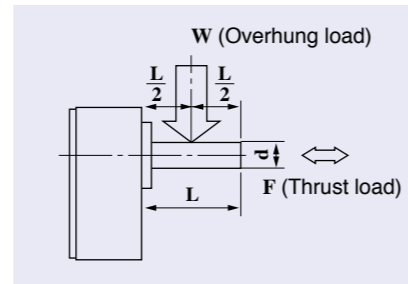
* 5,000 hours when used on reversible motor

The standard life can be expected when the product is operated at service factor 1.0.

The life of a component during particular application is estimated by dividing the standard life expectancy by the service factor. If the service factor is 2.0, then the actual life will be one half the expected life.

Overhung load and thrust load

The overhung load is defined as a load applied to the output shaft in the right-angle direction. This load is generated when the gear head is coupled to the machine using a chain, belt, etc., but not when the gear head is directly connected to the coupling. As shown in the right figure, the permissible value is determined based on the load applied to the L/2 position of the output shaft. The thrust load is defined as a load applied to the output shaft in the axial direction. Because the overhung load and thrust load significantly affect the life of the bearing, take care not to allow the load during operation to exceed the permissible overhung load and thrust load shown in the table below.



	Size	Output	Permissible overhung load (W)		Permissible thrust load (F)		
			N (kgf)	lbf	N (kgf)	lbf	
Motor unit (round shaft)	42 mm sq. (1.65 inch sq.)	4P 1 W	39 (4)	8.8	1.5 (0.15)	0.3	
		2P 3 W	39 (4)	8.8	1.5 (0.15)	0.3	
	60 mm sq. (2.36 inch sq.)	4P 3 W to 6 W	49 (5)	11	7 (0.7)	1.5	
		4P 10 W to 15 W	49 (5)	11	7 (0.7)	1.5	
	80 mm sq. (3.15 inch sq.)	4P 15 W to 25 W	108 (11)	24	12 (1.2)	2.6	
		2P 20 W to 60 W	118 (12)	26	12 (1.2)	2.6	
	90 mm sq. (3.54 inch sq.)	4P 40 W	157 (16)	35	20 (2)	4.4	
		4P 60 W to 90 W	255 (26)	56	20 (2)	4.4	
		2P 60 W	118 (12)	26	20 (2)	4.4	
		2P 90 W to 150 W	147 (15)	33	20 (2)	4.4	
	MX□G, MZ9G, MY9G, MR9G, MP9G type						
		Size	Model	Permissible overhung load (W)		Permissible thrust load (F)	
N (kgf)				lbf	N (kgf)	lbf	
Motor unit (round shaft)	42 mm sq. (1.65 inch sq.)	M4GA□F	20 (2)	4.4	15 (1.5)	3.3	
		MX6G□B(A)	98 (10)	22	29 (3)	6.6	
	MX6G□M(A)	49 (5)	11				
	70 mm sq. (2.76 inch sq.)	MX7G□B(A)	196 (20)	44	39 (4)	8.8	
		MX7G□M(A)	98 (10)	22			
	80 mm sq. (3.15 inch sq.)	MX8G□B	294 (30)	66	49 (5)	11	
		MX8G□M	196 (20)	44			
	90 mm sq. (3.54 inch sq.)	MX9G□B	392 (40)	88	98 (10)	22	
		MX9G□M	294 (30)	66			
		MZ9G□B	588 (60)	132	147 (15)	33	
		MY9G□B	588 (60)	132			
	90 mm sq. (3.54 inch sq.) High torque	MR9G□B	784 (80)	176	147 (15)	33	
MP9G□B							
90 mm sq. (3.54 inch sq.) Right-angle	MX9G□R	392 (40)	88	98 (10)	22		
	MZ9G□R	588 (60)	132	147 (15)	33		

Calculation of motor capacity

1. Speed suitable for use

Fig. 1 shows the typical torque curve, input dissipation curve and vibration curve.

In Fig. 1, the motor shows variations of 1100 [r/min] to 1800 [r/min] according to the load. The speed most suitable for the load of the equipment is as follows:

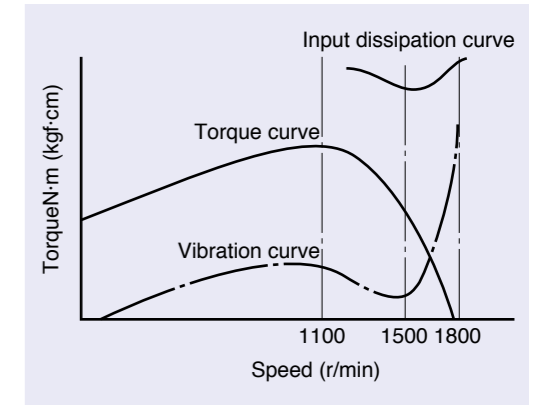
1200 [r/min] to 1250 [r/min] for 50 Hz

1500 [r/min] to 1550 [r/min] for 60 Hz

In this speed range, as can be seen from Fig. 1, the input dissipation becomes minimum, which means that the temperature rise of the motor is reduced accordingly.

As a result, the life of the motor, the insulation life, ball bearing grease life, etc. in particular, is prolonged. Also the vibration is minimized: in particular the gear noise caused when a gear head is used is reduced optimally. As described above, an optimum speed should be considered in selecting a motor.

Fig. 1 Example of Various Characteristics (60 Hz)



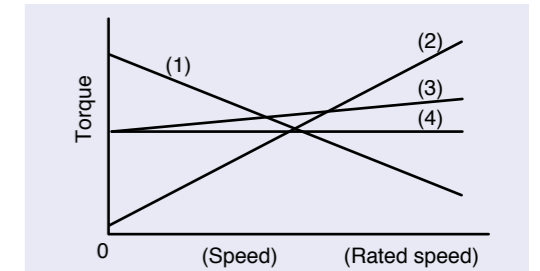
2. Examination of load of equipment

Examine the torque required for the load regarding the following three items.

- Minimum required torque at starting of the equipment
- Maximum load torque at load variations of the equipment
- Load torque at stable rotation

When the load torque is (1) to (4) in Fig. 2, the starting torque for (1), the stalling torque for (2) both the starting torque and stalling torque for (3) and (4) should be considered.

Fig. 2 Type of Load

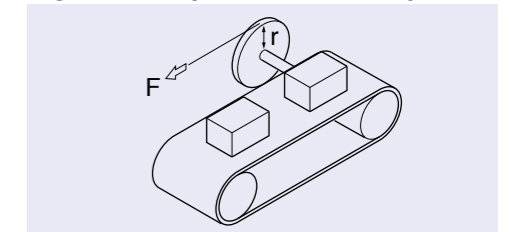


3. Calculation of required torque

• When the load of the equipment is (1), (3) or (4) in Fig. 2

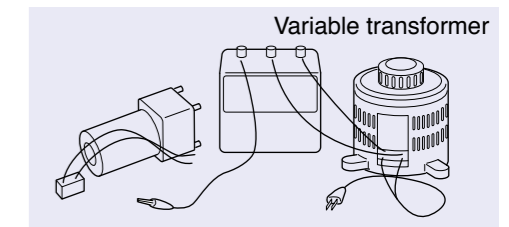
Calculate the approximate value of the required starting torque T_s . In Fig. 3 (Conveyor), for example, calculate the required force F from " $T = Fr$ ". Then select suitable motors from our catalog or the attached S-T data and check the minimum starting voltage, the minimum stable voltage and the speed in stable rotation. In accordance with the equipment load status calculated based on the above-mentioned examination, select a motor with the most suitable S-T curve.

Fig. 3. Example of belt Conveyor



4. Measurement of minimum starting voltage

Couple the motor to the load to be measured and connect a variable transformer and voltmeter as shown in the figure to the right. Increase the voltage continuously from 0 volt at the rate of 3 V/sec with this variable transformer and measure when the rotating part of the equipment starts and gets ready for acceleration.



5. Measurement of minimum stable voltage

Drive the equipment in a stable state. Using the above-mentioned variable transformer, decrease the voltage gradually. Measure the voltage at the limit of the motor speed allowing the equipment to function, that is, when the equipment begins to stop.

Calculation of motor capacity

6. Measurement of motor with gear head

When a motor alone is coupled to equipment, the speed is measured at output shaft section using a strobe light etc. In the case of a motor with a gear head, the speed is calculated from the following formula.

$$n = i \times n_1$$

- n : Motor speed (r/min)
- n_1 : Speed of gear output shaft or pulley etc. attached to it (r/min)
- i : Reduction ratio of gear head (e.g. $i = 30$ for 1/30)

When measuring the speed of a gear output shaft having a large reduction ratio, do not measure the number of revolutions per minute, but measure the time taken for the gear output shaft to rotate 100 turns using a stopwatch after putting a mark on the shaft. Then calculate the number of revolutions per minute from the measured time.

7. Example of motor selection

Application : Driving of conveyor
 Voltage : 100 V
 Speed : 30 r/min
 Working condition : Continuous
 Frequency : 60 Hz
 Select a motor that meet the above.

(1) Speed suitable for specifications

Because the required speed is 30 r/min, the gear ratio that realizes a rated motor speed (60 Hz area) of 1500 r/min to 1550 r/min is $1500/30$ to $1550/30 = 50$ to 51.67. Therefore use a gear ratio of 1/50.

(2) Calculation of required torque

Measure the approximate load with a spring balance etc. Assume that it is $2.65 \text{ N}\cdot\text{m}$ (375.27 oz-in). After referring to our catalog, select **M81X25G4L** and install **MXBG50B** as a reduction gear.

(3) Actual measurement of minimum starting voltage, minimum stable voltage and speed

Assume that the following are obtained as a result of actual measurement.
 Minimum starting voltage: 75 V
 Minimum stable voltage: 55 V
 Speed: 1700 r/min

(4) From speed-torque curve of 4-pole 25 W induction motor

T_s : Starting torque $T_s = 0.16 \text{ N}\cdot\text{m}$ (22.66 oz-in)
 T_m : Stalling torque $T_m = 0.25 \text{ N}\cdot\text{m}$ (35.4 oz-in)

The torque is proportional to the square of the voltage and the following values are obtained.

(Minimum starting torque)

$$0.16 \times \left(\frac{75}{100}\right)^2 = 9 \times 10^{-2} \text{ N}\cdot\text{m} \text{ (12.75 oz-in)}$$

(Minimum required stalling torque)

$$0.25 \times \left(\frac{55}{100}\right)^2 = 7 \times 10^{-2} \text{ N}\cdot\text{m} \text{ (9.91 oz-in)}$$

(Torque at motor speed of 1700 r/min)

$$= 0.12 \text{ N}\cdot\text{m} \text{ (16.99 oz-in)}$$

From the above, it can be seen that this application is a constant torque load and that the 4-pole 25 W induction motor still has a more than sufficient capacity. In addition, as is evident from the S-T curve of the attached S-T data, T_s and T_m of the 4-pole 15 W induction motor are as follows:

$$T_s = 0.1 \text{ N}\cdot\text{m} \text{ (14.16 oz-in)}$$

$$T_m = 0.15 \text{ N}\cdot\text{m} \text{ (21.24 oz-in)}$$

Considering the voltage drop and variation when used for conveyors, T_s and T_m of the 4-pole 15 W induction motor at 90 V are assumed to be as follows:

$$T_s = 0.08 \text{ N}\cdot\text{m} \text{ (11.33 oz-in)}$$


$$T_m = 0.12 \text{ N}\cdot\text{m} \text{ (16.99 oz-in)}$$

When the voltage drop and variation or load variation is thought to be insignificant, the 4-pole 15 W induction motor and gear head MX7G50B can be used. When the voltage variation or load variation is significant, the 4-pole 25 W induction motor should be used.

Domestic and overseas standards approved motors

For motors sold domestically or exported abroad, it is necessary to ensure the safety against "Fire, electric shock and injury" that meets the corresponding standards of each country. Among such standards are the Electrical Appliance and Material Safety Law in Japan, the UL standard in the North American market, the CE marking in the European market and the CCC marking in the Chinese market. We also provide products meeting these safety standards. The descriptions of these standards are shown below.

Electrical Appliance and Material Safety Law (domestic law in Japan)

This law is a domestic law in Japan intended to regulate the manufacture, sale, etc. of electrical appliances and to prevent the occurrence of fire, electric shock, injury, etc. attributable to electrical appliances by promoting self-activities of private enterprises for ensuring the safety of electrical appliances. Among the contents of the regulation are obligations of submission of manufacturing (export) business, conformance to technical standards and indication. Electrical appliances are classified into two groups: specific electrical appliances (equivalent to ko-type in the former law) and electrical appliances other than specific electrical appliances (otsu-type in the former law). On motors (electrical appliances other than specific electrical appliances) regulated by this law, a  PSE mark is indicated and descriptions based on this law are shown.

UL (CSA) Standard (to be considered when exporting motors to North America)

This standard was established by the fire insurance company association in the United States of America. Like Japan, low voltage (115 V, 60 Hz) is used in this region, and measures against fire in particular are strongly required. Insulators used for UL-approved products are made of UL-approved incombustible materials. In addition, installation of an overheat protection device is required. In the case of motors with mounting surface dimensions of 70 mm sq., 80 mm sq. and 90 mm sq., an automatic-reset thermal protector is incorporated. In the case of motors with mounting surface dimensions of 60 mm sq., impedance protected motor design is used. The CSA standard is a necessary requirement for exporting to Canada. It is possible to put a c-UL mark on products inspected and approved by UL in accordance with the CSA standard in addition to the UL standard. Products bearing this c-UL mark are regarded as products conforming to CSA standard and therefore can be sold in Canada.

• UL standard on motor

- UL1004-1 (motor) : Provisions concerning motor construction and material
- UL1004-2 (thermal protection of motor) : Provisions concerning impedance protection of motor
- UL1004-3 (thermal protection of motor) : Provisions concerning thermal protection of motor
- UL840 (insulation coordination of equipment) : Provisions concerning base items of motor insulation

EN Standard (to be considered when exporting motors to Europe)

It is a safety standard applied within the EU's borders, most part of which is based on the IEC standard. In Europe, the power supply voltage is as high as single-phase 230 V and 3-phase 400 V and it is therefore necessary to give consideration to electric shock in particular (Low Voltage Directive). In addition, because the mechanical safety (Machinery Directive) is considered, there is a recognition that it is dangerous for a motor to move suddenly as a result of automatic resetting of the protector etc. It is therefore required that, after the occurrence of an abnormal condition activating the protector, the machine can be started only when manual resetting is made by the operator. It is necessary to put a CE mark on products that have passed the test of the EN standard and are to be exported and to show clearly their safety level. (The product level is specified in the instruction manual. In Europe, when a (safety) self-declaration is required by a user, it should be submitted to the user.) In the case of a motor with speed controller, it is necessary to show clearly the level of malfunction (including malfunction of the motor and damage to other equipment) due to electromagnetic interference. (Check the level individually.) This level is evaluated based on the motor and controller alone. Because electromagnetic interference varies significantly depending on the wiring for incorporation into equipment, this level should be regarded as a reference value and a final determination should be made after incorporation into equipment.

• EN standard on motor

- Low Voltage Directive: Directive for 50 VAC to 1000 VAC equipment
- EN60034 (rating of electric machine) : Provisions concerning general items on motor
- EN60664 (insulation coordination of equipment) : Provisions concerning base items of motor insulation
- EN60204 (electric equipment of industrial machinery) : Provisions concerning industrial motor

Safety standard approved motor

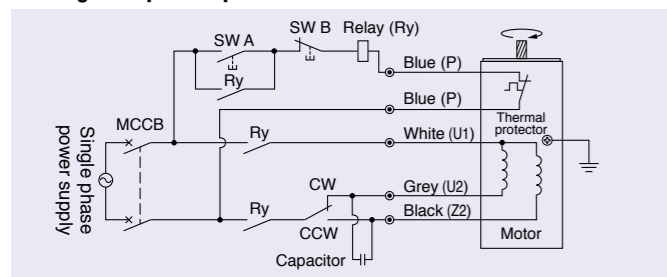
Representative Wiring of Safety Standard Approved Motor

- (1) The customer should verify conformance to the standards, laws, etc. on the completed equipment.
- (2) The thermal protector (TP) is an **automatic reset type**. To prevent hazardous unintentional restart, it must be wired as shown in the figure below.
(Connect a spark killer to the electromagnetic contactor.)
Do not connect the thermal protector (TP) directly to the power source. Instead, connect it to the source through the switch SW A and SW B and relay (Ry).
- (3) Voltage of the thermal protector is the maximum rating AC250 V.

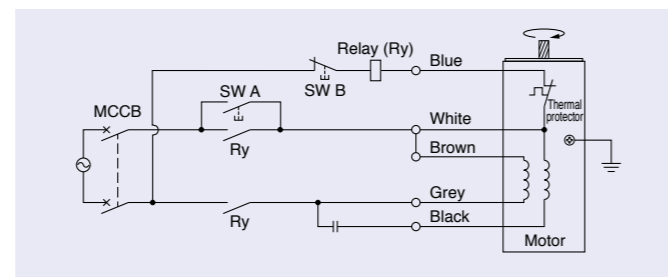
* Connection of the following is an example of the CW direction (clockwise) as viewed from the load side of the motor shaft.

70 mm sq. to 90 mm sq.

Wiring example of 4 pole induction motor and reversible motor.

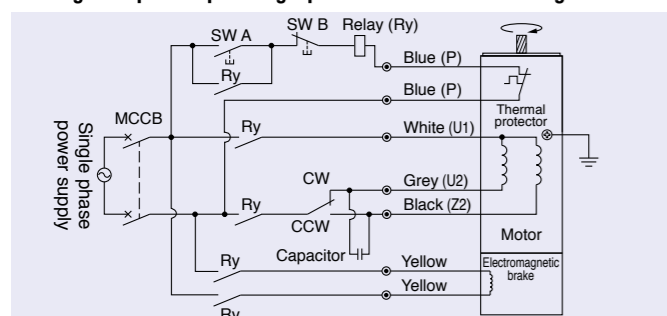


Wiring example of 2 pole induction motor



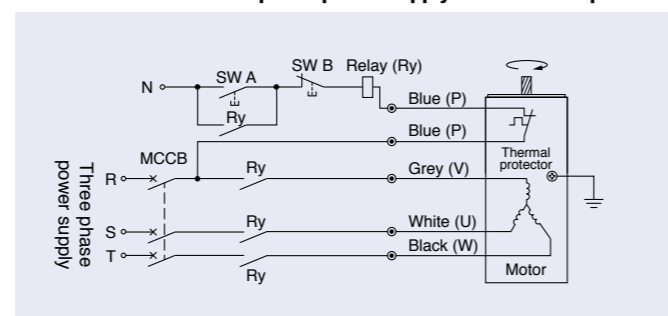
70 mm sq. to 90 mm sq.

Wiring example of 4 pole single phase motor with electromagnetic brake.

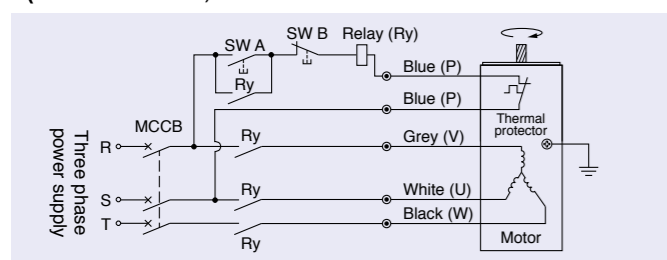


Wiring example of 2-pole, 4-pole three-phase motor.

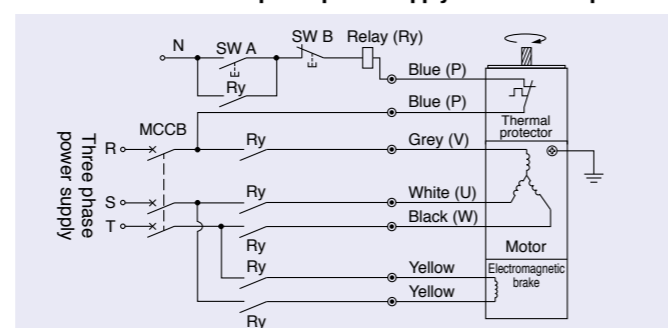
Connect between three-phase power supply R and neutral point N.



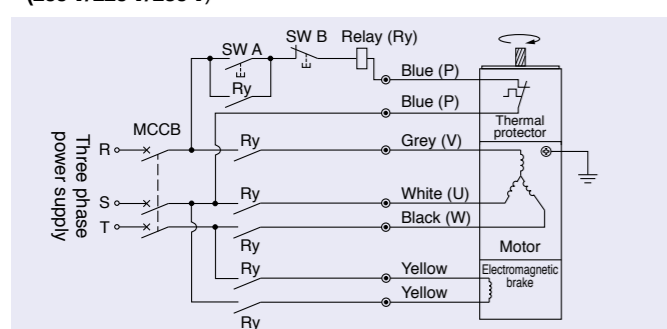
Wiring example of 2-pole, 4-pole three-phase motor. (200 V/220 V/230 V)



Wiring example of 4 pole three phase motor with electromagnetic brake. Connect between three-phase power supply R and neutral point N.



Wiring example of 4 pole three phase motor with electromagnetic brake. (200 V/220 V/230 V)



• When using the AC380 V/400 V three-phase motor, please connect to be applied voltage to AC250 V from AC100 V between the lines of thermal protector (blue blue).

GB Standard (to be considered when exporting motors to China)



In the People's Republic of China, China Compulsory Certification (CCC) is applied to products affecting health and safety of people, life and safety of animals and plants, environmental protection and public safety. Our motors are subject to CCC (excluding some motors) and a CCC certification mark is put on the main body of a certified motor.

GB standard on motor

- GB12350: Standard on safety of motor
- GB25958: Standard on energy efficiency of motor

Export consideration

When export this product, follow statutory provisions of the destination country.

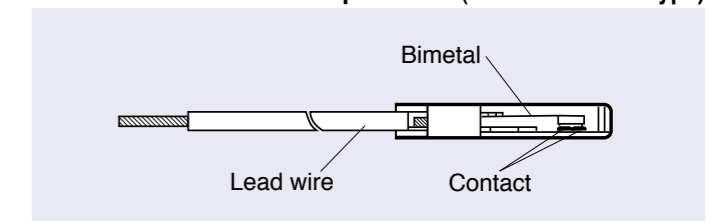
Overheat protection device

If a motor in operation is locked due to overloading or the input is increased for some reason, the temperature of the motor will rise rapidly. If the motor is left in this condition, the insulating performance in the motor will be deteriorated, leading to shortening of the life and, in the worst case, burning of the coil. In order to protect motors from such abnormal heating, our motors compliant with overseas standards are equipped with the following overheat protection device.

Motor with thermal protector

In the case of the motors with mounting surface dimensions of 70 mm sq., 80 mm sq. and 90 mm sq., an automatic-reset thermal protector is incorporated. The construction of the thermal protector is shown in the figure to the right. The thermal protector is of bimetallic type and silver or silver alloy, which has low electrical resistance and high thermal conductivity, is used for the contacts.

Construction of thermal protector (Automatic reset type)



Operating temperature of thermal protector

<International standard approved>	<Japanese version / Variable speed motor 90W>
open..... $130 \pm 5^\circ\text{C}$	open..... $120 \pm 5^\circ\text{C}$
close..... $90 \pm 15^\circ\text{C}$	close..... $77 \pm 15^\circ\text{C}$

(When the thermal protector is operating, the temperature of the coil is slightly higher than the operating temperature shown above.)

Test: It has passed a lock test of 18 days straight.

Impedance protected motor

It is applied to the motors with mounting surface dimensions of 60 mm sq.. The impedance of the coil of the impedance protected motor is made higher so as to make smaller the current (input) increase when the motor is locked, preventing the temperature rise from exceeding a certain level. Test: It has passed a lock test of 18 days straight.

Safety standard approved motor

General specifications for safety standard motor

Insulation resistance:

The value measured between the coil and case with a 500 VDC megger after continuous operation at normal temperature and humidity should be 50 MW or more.

Dielectric strength:

No anomaly should be found when 1.5 kV, 60 Hz is applied to between the coil and case for one minute after continuous operation at normal temperature and humidity.

Test Item	Standard	Electrical Appliance and Material Safety Law
150 V or lower		1000 V for one minute
Higher than 150 V		1500 V for one minute

The EN standard, IEC standard and GB standard specify 1500 V for one minute.

Overheat protection system:

The motors with mounting surface dimensions of 60 mm sq. is impedance-protected. The other motors incorporate an automatic-reset thermal protector.

Heat resistance class:

Specifications compliant with overseas standards Heat resistance class 130 (B)

Operating ambient temperature range:

-10 °C to +40 °C

Operating ambient humidity range:

85 % RH or less

Altitude:

1000 m or less

Vibration:

4.9 m/s² or less

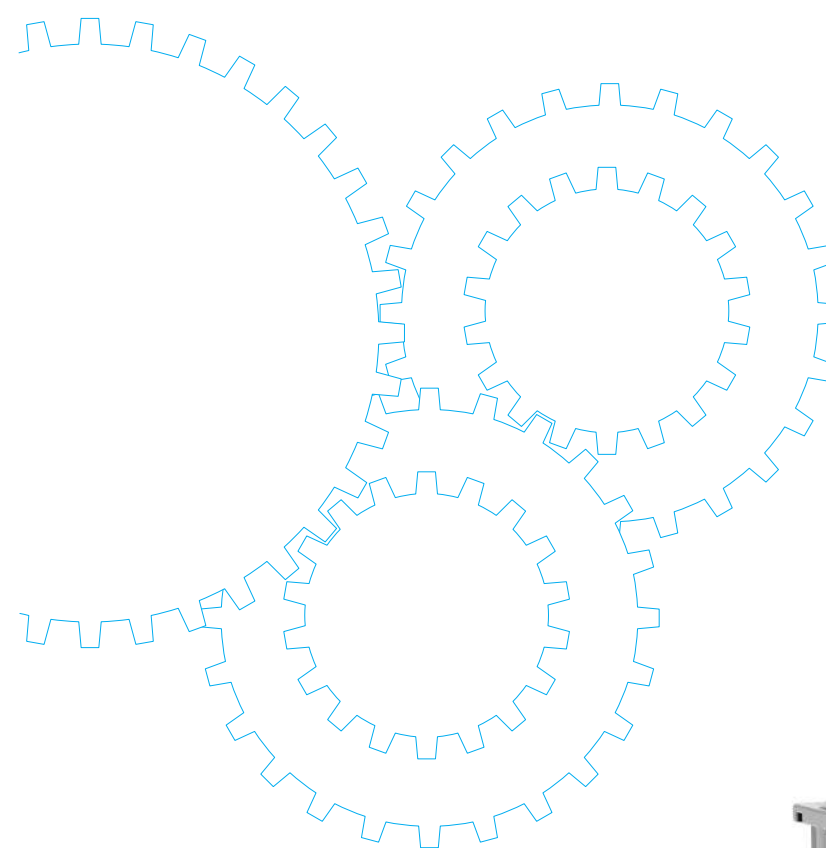
Working power supply voltage:

Rated voltage (value shown on nameplate) $\pm 10\%$ means a power supply voltage fluctuation range and does not refer to voltage that can be used at any time.

Working power supply frequency:

50 Hz/60 Hz (Value shown on nameplate)

Induction Motor



Contents

• Motor Overview	B- 2
• Model list	B- 4
• Product information for each model	B- 8
• Gear head combination dimensions	B-58
• Round shaft motor dimensions	B-61

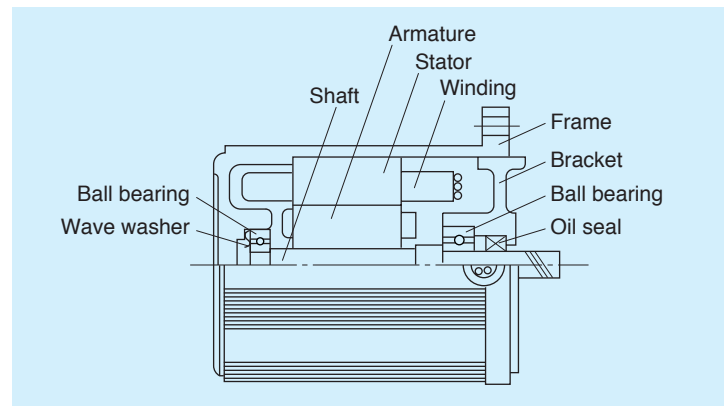
Outline of induction motor

Features

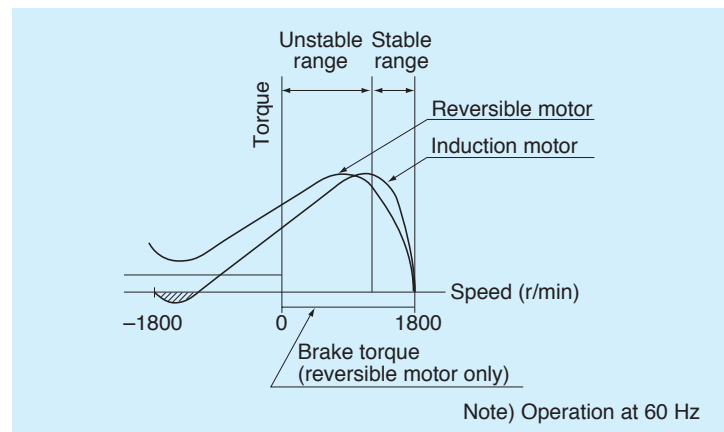
- It is fitted for continuous running in one direction. <Single-phase motor>
- Continuous time rating
- The motor with national specifications is of heatproof class 120 (E); the motor with specifications compliant with overseas standards is of heatproof class 130 (B).
- Because it is a capacitor-type induction motor, it has a high power factor and runs with a low noise level.

Note 1) The induction motor cannot make a quick-reversal run because of the torque acting in the opposite direction. Therefore stop the induction motor once, change the wire connections and make a reverse run.
 Note 2) Induction motor start-stop operation must not exceed 6-cycles per minute or damage may occur.

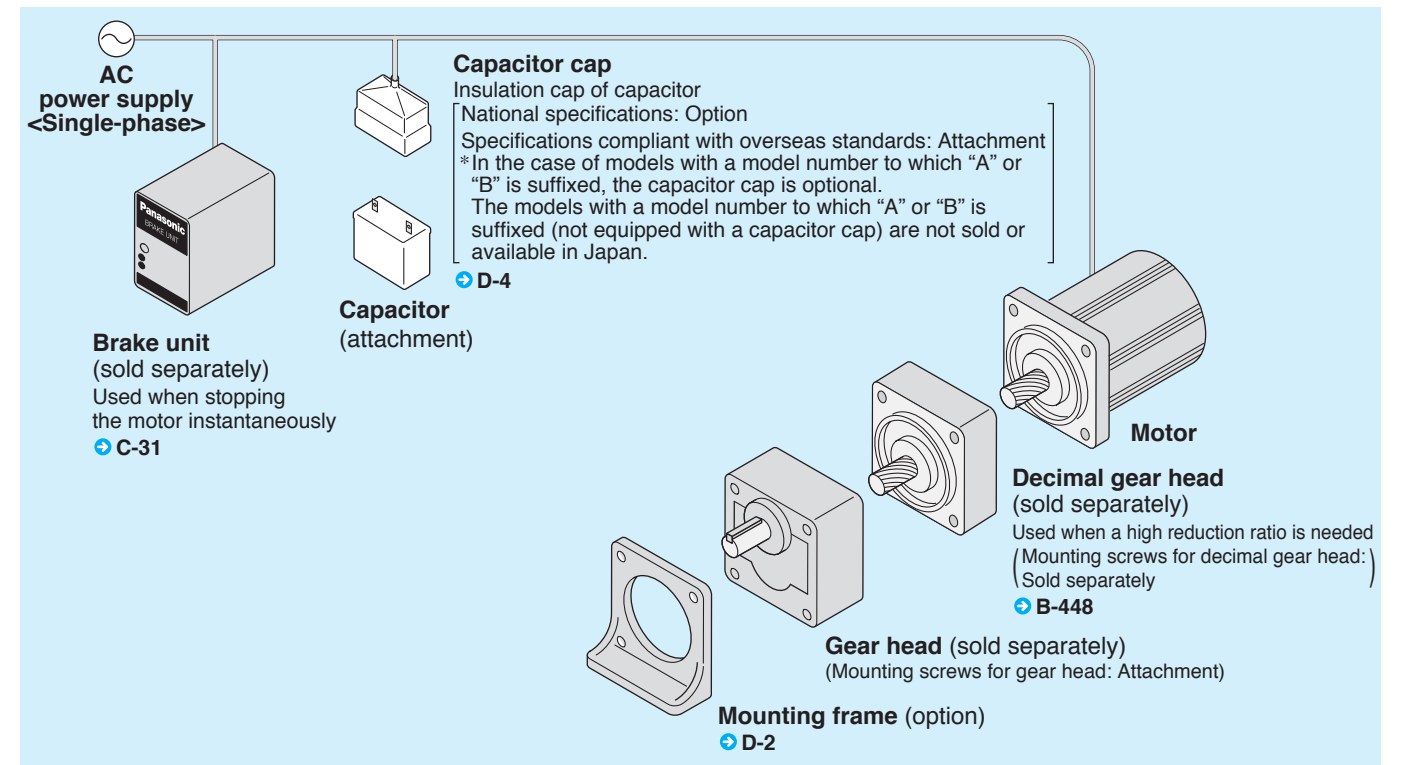
Construction



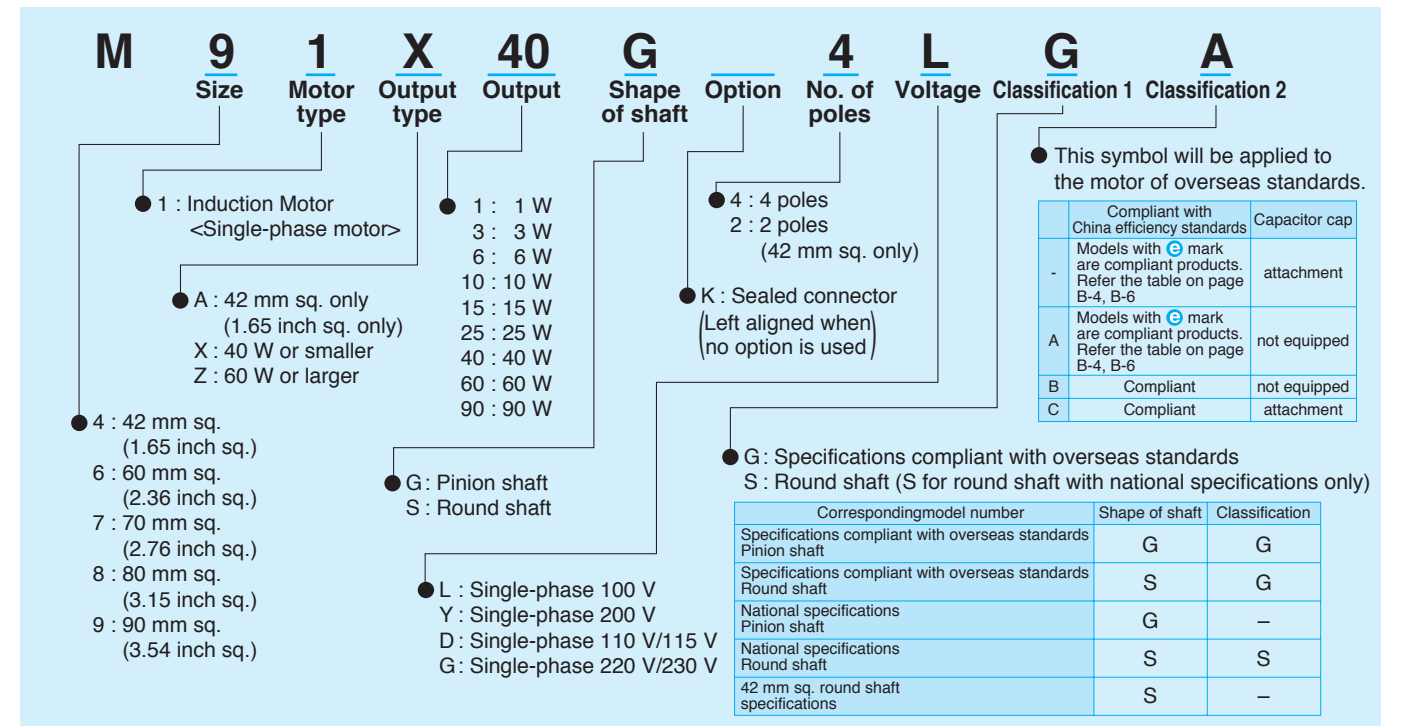
Characteristics



System configuration diagram



Coding system



Fit tolerance

Fit tolerance symbol is used in the outside dimension diagram of motor and gear head. For further information, see "Fit tolerance" on page A-33.

Model list of induction motor

Pinion shaft motor

Applicable gear head

★ Motor compliant with overseas standards Ⓜ Motor compliant with China efficiency standards 

 Hinge attached

Size	Output (W)	Leadwire type			Sealed connector type		
		Model number	Specifications	Page	Model number	Specifications	Page
42 mm sq. (1.65 inch sq.)	3	M41A3G2L	100 V	B- 8			
	1	M41A1G4L	100 V	B-10			
60 mm sq. (2.36 inch sq.)	3	M61X3G4L	100 V	B-12			
	6	M61X6G4L	100 V	B-14			
		M61X6G4Y	200 V	B-14			
		M61X6G4LG(A)	100 V ★	B-16			
		M61X6G4DG(A)	110 V/115 V ★	B-16			
		M61X6G4YG(A)	200 V ★	B-16			
		M61X6G4GG(A)	220 V/230 V ★	B-16			
70 mm sq. (2.76 inch sq.)	10	M71X10G4L	100 V	B-18			
		M71X10G4Y	200 V	B-18			
	15	M71X15G4L	100 V	B-20			
		M71X15G4Y	200 V	B-20			
		M71X15G4LG(A)	100 V ★	B-22			
		M71X15G4DG(A)	110 V/115 V ★	B-22			
		M71X15G4YG(A)	200 V ★	B-22			
M71X15G4GG(A)	220 V/230 V ★ Ⓜ	B-22					
80 mm sq. (3.15 inch sq.)	15	M81X15G4L	100 V	B-24			
		M81X15G4Y	200 V	B-24			
	25	M81X25G4L	100 V	B-26	M81X25GK4L	100 V	B-42
		M81X25G4Y	200 V	B-26	M81X25GK4Y	200 V	B-42
		M81X25G4LG(A)	100 V ★	B-28	M81X25GK4LG(A)	100 V ★	B-44
		M81X25G4DG(A)	110 V/115 V ★	B-28	M81X25GK4DG(A)	110 V/115 V ★	B-44
		M81X25G4YG(A)	200 V ★	B-28	M81X25GK4YG(A)	200 V ★	B-44
M81X25G4GG(A)	220 V/230 V ★ Ⓜ	B-28	M81X25GK4GG(A)	220 V/230 V ★ Ⓜ	B-44		
90 mm sq. (3.54 inch sq.)	40	M91X40G4L	100 V	B-30	M91X40GK4L	100 V	B-46
		M91X40G4Y	200 V	B-30	M91X40GK4Y	200 V	B-46
		M91X40G4LG(A)	100 V ★	B-32	M91X40GK4LG(A)	100 V ★	B-48
		M91X40G4DG(A)	110 V/115 V ★	B-32	M91X40GK4DG(A)	110 V/115 V ★	B-48
		M91X40G4YG(A)	200 V ★	B-32	M91X40GK4YG(A)	200 V ★	B-48
		M91X40G4GG(A)	220 V/230 V ★ Ⓜ	B-32	M91X40GK4GG(A)	220 V/230 V ★ Ⓜ	B-48
	60	M91Z60G4L	100 V	B-34	M91Z60GK4L	100 V	B-50
		M91Z60G4Y	200 V	B-34	M91Z60GK4Y	200 V	B-50
		M91Z60G4LG(A)	100 V ★	B-36	M91Z60GK4LG(A)	100 V ★	B-52
		M91Z60G4DG(A)	110 V/115 V ★	B-36	M91Z60GK4DG(A)	110 V/115 V ★	B-52
		M91Z60G4YG(A)	200 V ★	B-36	M91Z60GK4YG(A)	200 V ★	B-52
		M91Z60G4GG(A)	220 V/230 V ★	B-36	M91Z60GK4GG(A)	220 V/230 V ★	B-52
		M91Z60G4GGB	220 V/230 V ★ Ⓜ	B-36	M91Z60GK4GGB	220 V/230 V ★ Ⓜ	B-52
		M91Z60G4GGC	220 V/230 V ★ Ⓜ	B-36	M91Z60GK4GGC	220 V/230 V ★ Ⓜ	B-52
90	M91Z90G4L	100 V	B-38	M91Z90GK4L	100 V	B-54	
	M91Z90G4Y	200 V	B-38	M91Z90GK4Y	200 V	B-54	
	M91Z90G4LG(A)	100 V ★	B-40	M91Z90GK4LG(A)	100 V ★	B-56	
	M91Z90G4DG(A)	110 V/115 V ★	B-40	M91Z90GK4DG(A)	110 V/115 V ★	B-56	
	M91Z90G4YG(A)	200 V ★	B-40	M91Z90GK4YG(A)	200 V ★	B-56	
	M91Z90G4GG(A)	220 V/230 V ★	B-40	M91Z90GK4GG(A)	220 V/230 V ★	B-56	
	M91Z90G4GGB	220 V/230 V ★ Ⓜ	B-40	M91Z90GK4GGB	220 V/230 V ★ Ⓜ	B-56	
	M91Z90G4GGC	220 V/230 V ★ Ⓜ	B-40	M91Z90GK4GGC	220 V/230 V ★ Ⓜ	B-56	

* The models with a motor model number to which "A" or "B" is suffixed are not equipped with a capacitor cap. The models with a motor model number to which "A" or "B" is suffixed are not sold or available in Japan.

Ball bearing	Standard gear head		High torque gear head	Right-angle gear head	Gear head -Inch (U.S.A.)	Decimal gear head
	Metal bearing	Ball and metal bearing				
—	—	M4G□F	—	—	—	—
MX6G□BA MX6G□B	MX6G□MA MX6G□M	—	—	—	MX6G□BU	MX6G10XB
MX7G□BA MX7G□B	MX7G□MA MX7G□M	—	—	—	MX7G□BU	MX7G10XB
MX8G□B	MX8G□M	—	—	—	MX8G□BU	MX8G10XB
MX9G□B	MX9G□M	—	—	MX9G□R	MX9G□BU	MX9G10XB
MZ9G□B	—	—	MR9G□B	—	—	—
MY9G□B	—	—	—	MZ9G□R	MZ9G□BU	MZ9G10XB
			MP9G□B			

* Refer to page B-444 for dimensions and permissible torque of high torque gear head. Refer to page B-446 for dimensions and permissible torque of right-angle gear head. Refer to page B-451 for dimensions and permissible torque of gear head -Inch (U.S.A.). Refer to page B-448 for dimensions of decimal gear head.

Model list of induction motor

Round shaft motor

★ Motor compliant with overseas standards
 Ⓜ Motor compliant with China efficiency standards
 c RU us CE ©

Ⓟ Electrical Appliance and Material Safety Law

Size	Output (W)	Leadwire type		Sealed connector type					
		Model number	Specifications	Model number	Specifications				
42 mm sq. (1.65 inch sq.)	3	M41A3S2L	100 V						
	1	M41A1S4L	100 V						
60 mm sq. (2.36 inch sq.)	3	M61X3S4LS	100 V						
	6	M61X6S4LS	100 V						
		M61X6S4YS	200 V						
		M61X6S4LG(A)	100 V	★					
		M61X6S4DG(A)	110 V/115 V	★					
		M61X6S4YG(A)	200 V	★					
		M61X6S4GG(A)	220 V/230 V	★					
70 mm sq. (2.76 inch sq.)	10	M71X10S4LS	100 V						
		M71X10S4YS	200 V						
	15	M71X15S4LS	100 V						
		M71X15S4YS	200 V						
		M71X15S4LG(A)	100 V	★					
		M71X15S4DG(A)	110 V/115 V	★					
		M71X15S4YG(A)	200 V	★					
M71X15S4GG(A)	220 V/230 V	★	Ⓜ						
80 mm sq. (3.15 inch sq.)	15	M81X15S4LS	100 V						
		M81X15S4YS	200 V						
	25	M81X25S4LS	100 V		M81X25SK4LS	100 V	Ⓟ		
		M81X25S4YS	200 V		M81X25SK4YS	200 V	Ⓟ		
		M81X25S4LG(A)	100 V	★	M81X25SK4LG(A)	100 V	★	Ⓟ	
		M81X25S4DG(A)	110 V/115 V	★	M81X25SK4DG(A)	110 V/115 V	★		
		M81X25S4YG(A)	200 V	★	M81X25SK4YG(A)	200 V	★	Ⓟ	
M81X25S4GG(A)	220 V/230 V	★	Ⓜ	M81X25SK4GG(A)	220 V/230 V	★	Ⓜ		
90 mm sq. (3.54 inch sq.)	40	M91X40S4LS	100 V		M91X40SK4LS	100 V	Ⓟ		
		M91X40S4YS	200 V		M91X40SK4YS	200 V	Ⓟ		
		M91X40S4LG(A)	100 V	★	M91X40SK4LG(A)	100 V	★	Ⓟ	
		M91X40S4DG(A)	110 V/115 V	★	M91X40SK4DG(A)	110 V/115 V	★		
		M91X40S4YG(A)	200 V	★	M91X40SK4YG(A)	200 V	★	Ⓟ	
		M91X40S4GG(A)	220 V/230 V	★	Ⓜ	M91X40SK4GG(A)	220 V/230 V	★	Ⓜ
	60	M91Z60S4LS	100 V		M91Z60SK4LS	100 V	Ⓟ		
		M91Z60S4YS	200 V		M91Z60SK4YS	200 V	Ⓟ		
		M91Z60S4LG(A)	100 V	★	M91Z60SK4LG(A)	100 V	★	Ⓟ	
		M91Z60S4DG(A)	110 V/115 V	★	M91Z60SK4DG(A)	110 V/115 V	★		
		M91Z60S4YG(A)	200 V	★	M91Z60SK4YG(A)	200 V	★	Ⓟ	
		M91Z60S4GG(A)	220 V/230 V	★	M91Z60SK4GG(A)	220 V/230 V	★		
		M91Z60S4GGB	220 V/230 V	★	Ⓜ	M91Z60SK4GGB	220 V/230 V	★	Ⓜ
		M91Z60S4GGC	220 V/230 V	★	Ⓜ	M91Z60SK4GGC	220 V/230 V	★	Ⓜ
	90	M91Z90S4LS	100 V		M91Z90SK4LS	100 V	Ⓟ		
		M91Z90S4YS	200 V		M91Z90SK4YS	200 V	Ⓟ		
		M91Z90S4LG(A)	100 V	★	M91Z90SK4LG(A)	100 V	★	Ⓟ	
M91Z90S4DG(A)		110 V/115 V	★	M91Z90SK4DG(A)	110 V/115 V	★			
M91Z90S4YG(A)		200 V	★	M91Z90SK4YG(A)	200 V	★	Ⓟ		
M91Z90S4GG(A)		220 V/230 V	★	M91Z90SK4GG(A)	220 V/230 V	★			
M91Z90S4GGB		220 V/230 V	★	Ⓜ	M91Z90SK4GGB	220 V/230 V	★	Ⓜ	
M91Z90S4GGC	220 V/230 V	★	Ⓜ	M91Z90SK4GGC	220 V/230 V	★	Ⓜ		

* The specifications and wire connections of the round shaft motor are the same as those of the pinion shaft motor. Dimensional outline drawing → Page B-61.

* The models with a motor model number to which "A" or "B" is suffixed are not equipped with a capacitor cap. The models with a motor model number to which "A" or "B" is suffixed are not sold or available in Japan.

Specifications

Size	Motor model No.	Number of pole (P)	Output (W)	Voltage (V)	Frequency (Hz)	Rating (min)	Rating				Starting current (A)	Starting torque N-m (oz-in)	Capacitor (μF) (rated voltage)
							Input (W)	Current (A)	Speed (r/min)	Torque N-m (oz-in)			
42 mm sq.	M41A3G2L	2	3	100	50	Cont.	10	0.10	2625	0.011 (1.6)	0.15	0.011 (1.6)	1.5 (200 V)
					60		9	0.10	3250	0.009 (1.3)			

* The specifications and wire connections of the round shaft motor are the same as those of the pinion shaft type. For the dimensional outline drawing, refer to page B-61.

Permissible torque at output shaft of gear head

* The speed shown below is a calculated value based on the synchronous rotational speed. Depending on the load, the speed is less than the indicated value by 2% to 20%.

Unit of permissible torque: upper (mN·m) / lower (lb-in)

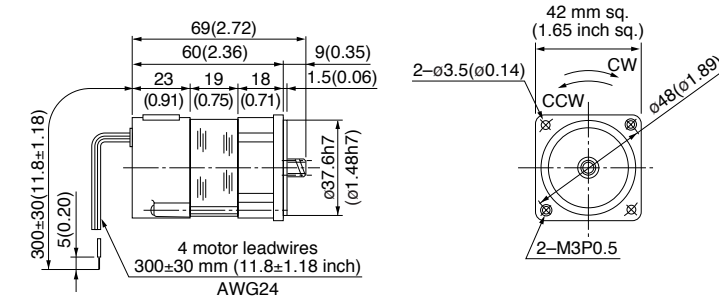
Reduction ratio	Speed (r/min)																									
	50 Hz	60 Hz	3	3.6	5	6	7.5	9	12.5	15	18	25	30	36	50	60	75	90	100	120	150	180				
Speed (r/min)	50 Hz	60 Hz	1000	833	600	500	400	333	240	200	167	120	100	83.3	60	50	40	33.3	30	25	20	16.7				
Applicable gear head	M4GA3F to M4GA180F (metal+ball bearing)	50 Hz	28 (0.248)	34 (0.301)	47 (0.416)	57 (0.504)	71 (0.628)	84 (0.743)	98 (0.867)	127 (1.12)	157 (1.39)	186 (1.65)	225 (1.99)	274 (2.43)	382 (3.38)	461 (4.08)							490 (4.34)			
		60 Hz	24 (0.212)	28 (0.248)	39 (0.345)	47 (0.416)	59 (0.522)	71 (0.628)	81 (0.717)	98 (0.867)	127 (1.12)	176 (1.56)	186 (1.65)	225 (1.99)	313 (2.77)	382 (3.38)							490 (4.34)			
Rotational direction			Same as motor rotational direction						Reverse to motor rotational direction						Same as motor rotational direction						Reverse to motor rotational direction					

Motor (dimensions)

Scale: 1/3, Unit: mm (inch)

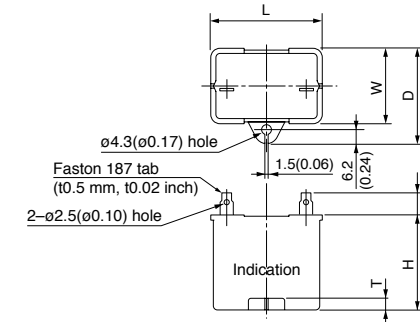
M41A3G2L 2P 3 W 100 V

Mass	Spur gear	Module	Number of teeth
0.3 kg 0.66 lb		0.4	10



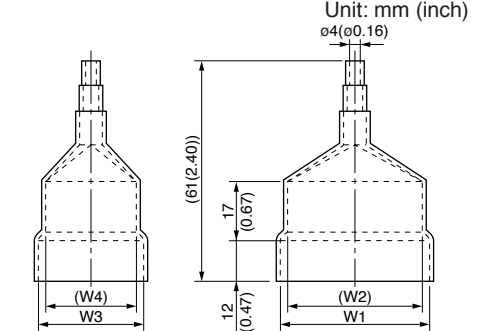
Capacitor (dimensions) [attachment]

Unit: mm (inch)



Capacitor cap (dimensions) [option]

Unit: mm (inch)

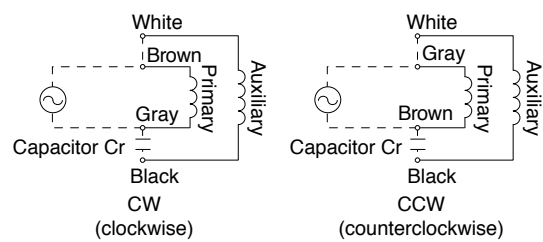


Capacitor dimension list

Unit: upper (mm) / lower (inch)

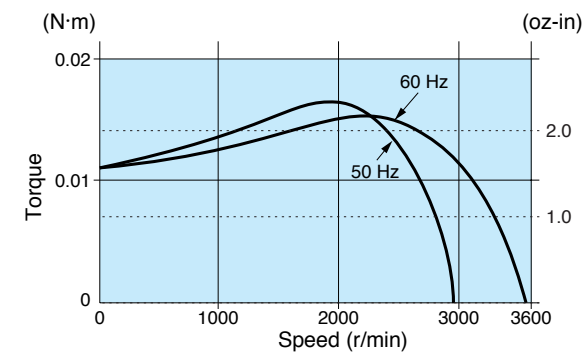
Model number of motor	Model number of capacitor (attachment)	L	W	D	H	T	Capacitor cap (option)	W1	W2	W3	W4
M41A3G2L	M0PC1.5M20	39.5 (1.56)	16 (0.63)	26.5 (1.04)	30.5 (1.20)	4 (0.16)	M0PC3917	39.5 (1.56)	37.5 (1.48)	17 (0.67)	15 (0.59)

Connection diagram



Speed-torque characteristics

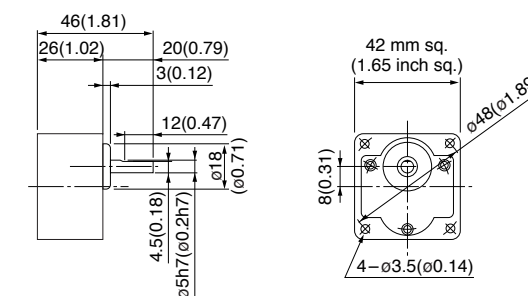
M41A3G2L



Gear head (dimensions)

Scale: 1/3, Unit: mm (inch)

M4GA□F (ball + metal bearing) Mass 0.2 kg (0.44 lb): Output shaft D cut
* In the case of 42 mm sq. (1.65 inch sq.), a ball bearing is used for the output shaft only.



Specifications

Size	Motor model No.	Number of pole (P)	Output (W)	Voltage (V)	Frequency (Hz)	Rating (min)	Rating				Starting current (A)	Starting torque N-m (oz-in)	Capacitor (μF) (rated voltage)
							Input (W)	Current (A)	Speed (r/min)	Torque N-m (oz-in)			
42 mm sq.	M41A1G4L	4	1	100	50	Cont.	10	0.11	1175	0.0078 (1.10)	0.11	0.015 (2.12)	1.3 (200 V)
					60		10	0.11	1575	0.0059 (0.84)	0.11	0.016 (2.27)	

* The specifications and wire connections of the round shaft motor are the same as those of the pinion shaft type. For the dimensional outline drawing, refer to page B-61.

Permissible torque at output shaft of gear head

* The speed shown below is a calculated value based on the synchronous rotational speed. Depending on the load, the speed is less than the indicated value by 2% to 20%.

Unit of permissible torque: upper (mN·m) / lower (lb·in)

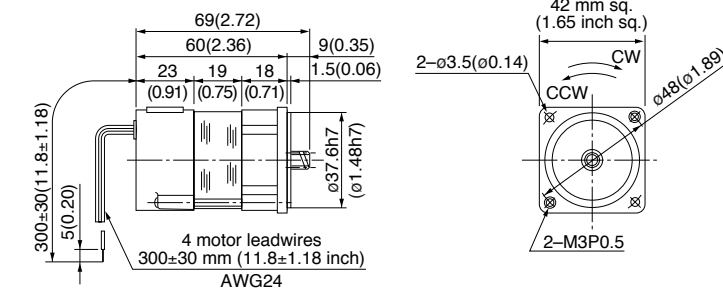
Reduction ratio	Speed (r/min)																						
	50 Hz	60 Hz	3	3.6	5	6	7.5	9	12.5	15	18	25	30	36	50	60	75	90	100	120	150	180	
Speed (r/min)	50 Hz	60 Hz	500	416.7	300	250	200	166.7	120	100	83.3	60	50	41.7	30	25	20	16.7	15	12.5	10	8.3	
Applicable gear head	M4GA3F to M4GA180F (metal+ball bearing)	50 Hz	23 (0.20)	27 (0.24)	37 (0.33)	45 (0.40)	56 (0.50)	67 (0.59)	84 (0.74)	98 (0.87)	118 (1.04)	147 (1.30)	176 (1.56)	216 (1.91)	303 (2.68)	363 (3.21)	411 (3.64)						490 (4.34)
		60 Hz	19 (0.17)	23 (0.20)	31 (0.27)	37 (0.33)	47 (0.42)	56 (0.50)	77 (0.68)	84 (0.74)	98 (0.87)	137 (1.21)	147 (1.30)	176 (1.56)	245 (2.17)	303 (2.68)	382 (3.39)	411 (3.64)					
Rotational direction	Same as motor rotational direction		Reverse to motor rotational direction		Same as motor rotational direction		Reverse to motor rotational direction																

Motor (dimensions)

Scale: 1/3, Unit: mm (inch)

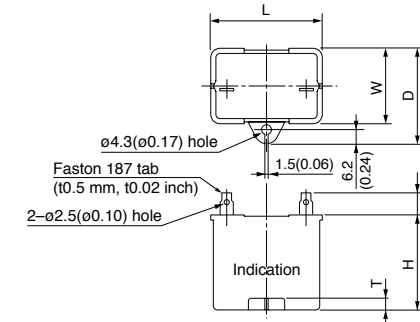
M41A1G4L 4P 1 W 100 V

Mass 0.3 kg (0.66 lb)
Spur gear
Module 0.4
Number of teeth 10



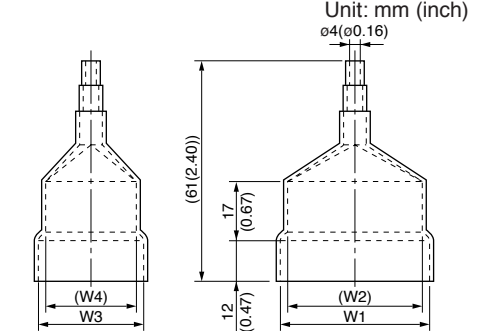
Capacitor (dimensions) [attachment]

Unit: mm (inch)



Capacitor cap (dimensions) [option]

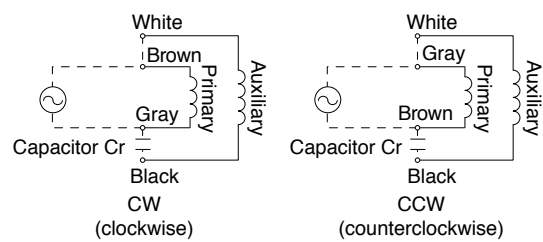
Unit: mm (inch)



Capacitor dimension list Unit: upper (mm) / lower (inch)

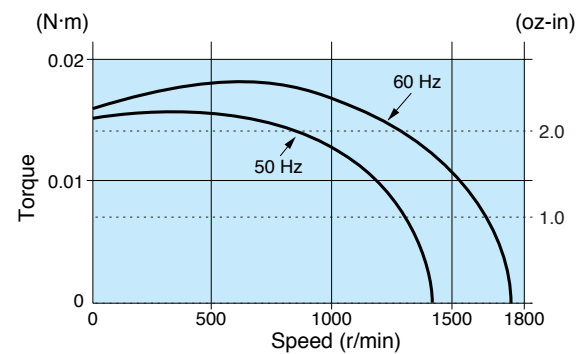
Model number of motor	Model number of capacitor (attachment)	L	W	D	H	T	Capacitor cap (option)	W1	W2	W3	W4
M41A1G4L	M0PC1.3M20	39.5 (1.56)	16 (0.63)	26.5 (1.04)	30.5 (1.20)	4 (0.16)	M0PC3917	39.5 (1.56)	37.5 (1.48)	17 (0.67)	15 (0.59)

Connection diagram



Speed-torque characteristics

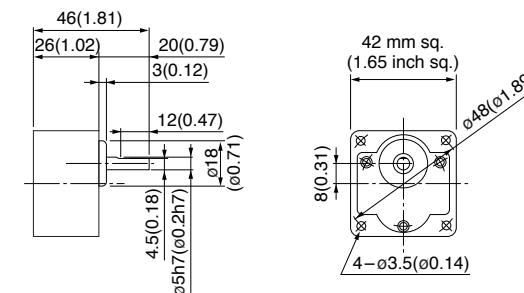
M41A1G4L



Gear head (dimensions)

Scale: 1/3, Unit: mm (inch)

M4GA□F (ball + metal bearing) Mass 0.2 kg (0.44 lb); Output shaft D cut
* In the case of 42 mm sq. (1.65 inch sq.), a ball bearing is used for the output shaft only.



Specifications

Size	Motor model No.	Number of pole (P)	Output (W)	Voltage (V)	Frequency (Hz)	Rating (min)	Rating				Starting current (A)	Starting torque N·m (oz-in)	Capacitor (μF) (rated voltage)
							Input (W)	Current (A)	Speed (r/min)	Torque N·m (oz-in)			
60 mm sq.	M61X3G4L	4	3	100	50	Cont.	15	0.15	1250	0.022 (3.1)	0.18	0.031 (4.4)	2.0 (200 V)
					60		15	0.15	1575	0.018 (2.5)	0.19	0.031 (4.4)	

* The specifications and wire connections of the round shaft motor are the same as those of the pinion shaft type. For the dimensional outline drawing, refer to page B-61.

Permissible torque at output shaft of gear head

* The speed shown below is a calculated value based on the synchronous rotational speed. Depending on the load, the speed is less than the indicated value by 2 % to 20 %.

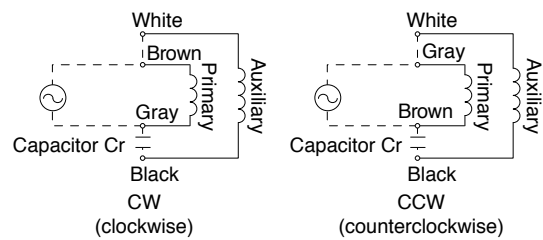
Unit of permissible torque: upper (N·m) / lower (lb-in)

Reduction ratio	Unit of permissible torque: upper (N·m) / lower (lb-in)																							
	3	3.6	5	6	7.5	9	10	12.5	15	18	20	25	30	36	50	60	75	90	100	120	150	180		
Speed (r/min)	50 Hz 600	416.7 500	300 360	250 300	200 240	166.7 200	150 180	120 144	100 120	83.3 100	75 90	60 72	50 60	41.7 50	30 36	25 30	20 24	16.7 20	15 18	12.5 15	10 12	8.3 10		
Applicable gear head	MX6G3BA to MX6G180B (ball bearing)	50 Hz	0.048 (0.42)	0.058 (0.51)	0.079 (0.70)	0.095 (0.84)	0.12 (1.1)	0.14 (1.2)	0.16 (1.4)	0.20 (1.8)	0.24 (2.1)	0.28 (2.5)	0.31 (2.7)	0.38 (3.4)	0.46 (4.1)	0.55 (4.9)	0.76 (6.7)	0.92 (8.1)	1.08 (9.6)	1.27 (11.2)	1.47 (13.0)	1.76 (15.6)	2.16 (19.1)	2.45 (21.7)
		60 Hz	0.040 (0.35)	0.048 (0.42)	0.067 (0.59)	0.079 (0.86)	0.098 (0.87)	0.12 (1.1)	0.13 (1.2)	0.17 (1.5)	0.20 (1.8)	0.24 (2.1)	0.25 (2.2)	0.32 (2.8)	0.38 (3.4)	0.46 (4.1)	0.64 (5.7)	0.76 (6.7)	0.90 (8.0)	1.08 (9.6)	1.27 (11.2)	1.47 (13.0)	1.76 (15.6)	2.16 (19.1)
Rotational direction	Same as motor rotational direction											Reverse to motor rotational direction												

Permissible torque at output shaft of gear head using decimal gear head

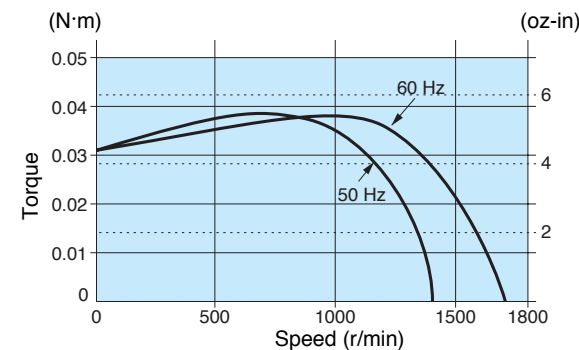
Applicable gear head		Reduction ratio	Unit of permissible torque: upper (N·m) / lower (lb-in)											
Bearing	Decimal gear head		Speed (r/min)	200	250	300	360	500	600	750	900	1000	1200	1500
MX6G□BA (ball bearing) MX6G□B (ball bearing) MX6G□MA (metal bearing) MX6G□M (metal bearing)	MX6G10XB	50 Hz	7.5	6	5	4.2	3	2.5	2	1.7	1.5	1.3	1	0.8
		60 Hz	9	7.2	6	5	3.6	3	2.4	2	1.8	1.5	1.2	1
Permissible torque		N·m (lb-in)	2.45 (21.7)	2.45 (21.7)	2.45 (21.7)	2.45 (21.7)	2.45 (21.7)	2.45 (21.7)	2.45 (21.7)	2.45 (21.7)	2.45 (21.7)	2.45 (21.7)	2.45 (21.7)	2.45 (21.7)
Rotational direction			Same as motor rotational direction						Reverse to motor rotational direction					

Connection diagram



Speed-torque characteristics

M61X3G4L

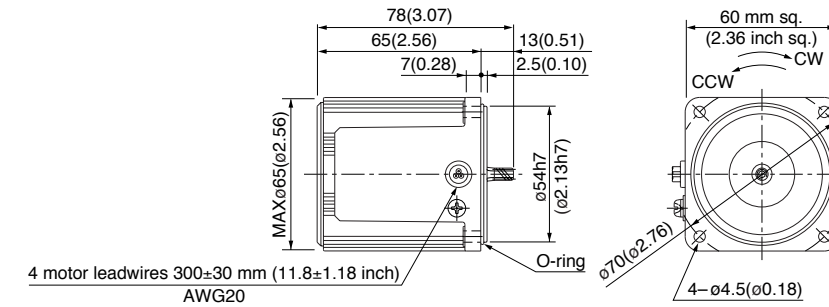


Motor (dimensions)

Scale: 1/3, Unit: mm (inch)

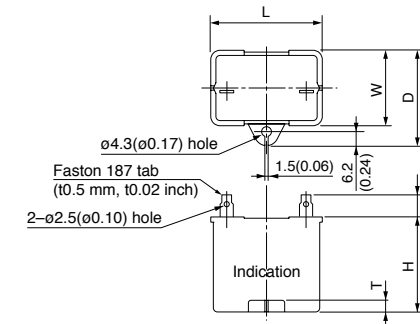
M61X3G4L 4P 3 W 100 V

Mass	Helical gear	Module	Number of teeth
0.56 kg 1.23 lb		0.5	6



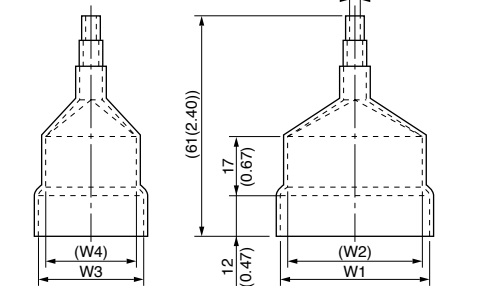
Capacitor (dimensions) [attachment]

Unit: mm (inch)



Capacitor cap (dimensions) [option]

Unit: mm (inch)



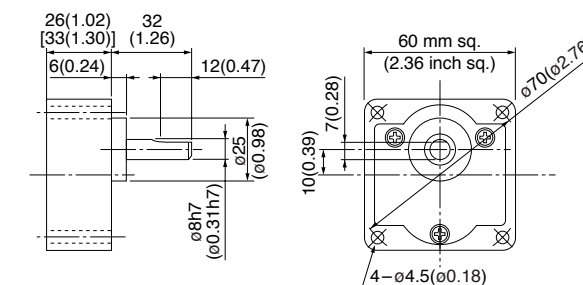
Capacitor dimension list Unit: upper (mm) / lower (inch)

Model number of motor	Model number of capacitor (attachment)	L	W	D	H	T	Capacitor cap (option)	W1	W2	W3	W4
M61X3G4L	M0PC2M20	39.5 (1.56)	16 (0.63)	26.5 (1.04)	30.5 (1.20)	4 (0.16)	M0PC3917	39.5 (1.56)	37.5 (1.48)	17 (0.67)	15 (0.59)

Gear head (dimensions)

Scale: 1/3, Unit: mm (inch)

MX6G□BA (ball bearing) Mass 0.24 kg (0.53 lb): Output shaft D cut
 MX6G□MA (metal bearing) Mass 0.24 kg (0.53 lb): Output shaft D cut
 MX6G□B (ball bearing) Mass 0.3 kg (0.66 lb): Output shaft D cut
 MX6G□M (metal bearing) Mass 0.3 kg (0.66 lb): Output shaft D cut



* Figures in [] represent the dimensions of MX6G□B (M) (1/30 or larger reduction ratio).

(The model number of the gear head with a reduction ratio of 1/25 or smaller is MX6G□BA (MA).)

(Note) Because the dimensions may be subject to change, also check the determinate dimensions if the gear head is to be used for design.

* Please read your User's manual carefully so that you will understand the operation and safety precautions before attempting to operate the system.

Specifications

Size	Motor model No.	Number of pole (P)	Output (W)	Voltage (V)	Frequency (Hz)	Rating (min)	Rating				Starting current (A)	Starting torque N-m (oz-in)	Capacitor (μF) (rated voltage)
							Input (W)	Current (A)	Speed (r/min)	Torque N-m (oz-in)			
60 mm sq.	M61X6G4L	4	6	100	50	Cont.	20	0.21	1250	0.048 (6.80)	0.30	0.049 (6.94)	2.5 (200 V)
					60		20	0.20	1575	0.038 (5.38)	0.30	0.049 (6.94)	
	M61X6G4Y	4	6	200	50	Cont.	20	0.11	1250	0.048 (6.80)	0.15	0.049 (6.94)	0.7 (400 V)
					60		20	0.10	1600	0.037 (5.24)	0.15	0.049 (6.94)	

* The specifications and wire connections of the round shaft motor are the same as those of the pinion shaft type. For the dimensional outline drawing, refer to page B-61.

Permissible torque at output shaft of gear head

* The speed shown below is a calculated value based on the synchronous rotational speed. Depending on the load, the speed is less than the indicated value by 2 % to 20 %.

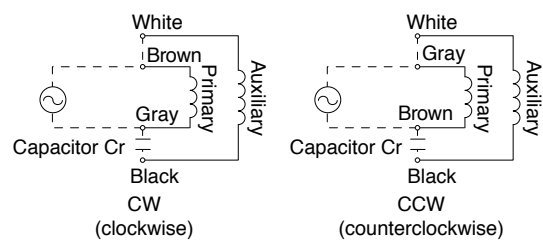
Unit of permissible torque: upper (N·m) / lower (lb·in)

Reduction ratio	Unit of permissible torque: upper (N·m) / lower (lb·in)																							
	3	3.6	5	6	7.5	9	10	12.5	15	18	20	25	30	36	50	60	75	90	100	120	150	180		
Speed (r/min)	50 Hz	500	416.7	300	250	200	166.7	150	120	100	83.3	75	60	50	41.7	30	25	20	16.7	15	12.5	10	8.3	
	60 Hz	600	500	360	300	240	200	180	144	120	100	90	72	60	50	36	30	24	20	18	15	12	10	
Applicable gear head	MX6G3BA to MX6G180B (ball bearing)	50 Hz	0.098 (0.87)	0.12 (1.06)	0.16 (1.42)	0.19 (1.68)	0.25 (2.21)	0.29 (2.57)	0.33 (2.92)	0.40 (3.54)	0.49 (4.34)	0.59 (5.22)	0.66 (5.84)	0.79 (6.99)	0.95 (8.41)	1.18 (10.4)	1.57 (13.9)	1.86 (16.5)	2.25 (19.9)	2.45 (21.7)				2.45 (21.7)
		60 Hz	0.081 (0.72)	0.098 (0.87)	0.13 (1.15)	0.16 (1.42)	0.21 (1.86)	0.25 (2.21)	0.26 (2.30)	0.33 (2.92)	0.40 (3.54)	0.49 (4.34)	0.53 (4.69)	0.66 (5.84)	0.79 (6.99)	0.95 (8.41)	1.27 (11.2)	1.57 (13.9)	1.86 (16.5)	2.25 (19.9)				2.45 (21.7)
Rotational direction	Same as motor rotational direction											Reverse to motor rotational direction												

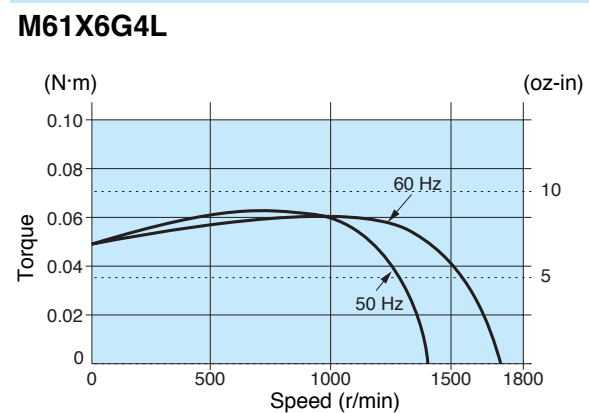
Permissible torque at output shaft of gear head using decimal gear head

Applicable gear head		Reduction ratio		200	250	300	360	500	600	750	900	1000	1200	1500	1800
Bearing	Decimal gear head	Speed (r/min)	50 Hz	7.5	6	5	4.2	3	2.5	2	1.7	1.5	1.3	1	0.8
				MX6G□BA (ball bearing)	MX6G10XB	Permissible torque	N-m (lb-in)	2.45 (21.7)	2.45 (21.7)	2.45 (21.7)	2.45 (21.7)	2.45 (21.7)	2.45 (21.7)	2.45 (21.7)	2.45 (21.7)
MX6G□B (ball bearing)	Rotational direction	Same as motor rotational direction		Reverse to motor rotational direction											

Connection diagram



Speed-torque characteristics

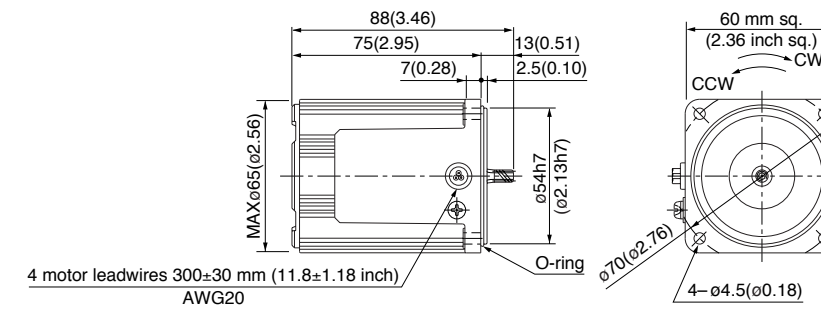


Motor (dimensions)

Scale: 1/3, Unit: mm (inch)

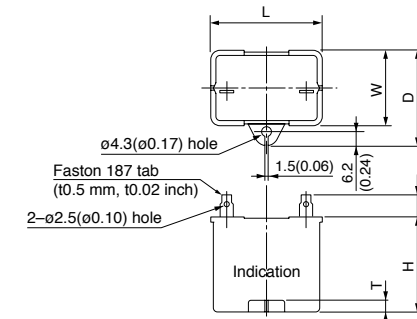
M61X6G4L 4P 6 W 100 V
M61X6G4Y 4P 6 W 200 V

Mass 0.67 kg 1.48 lb
Helical gear
Module 0.5
Number of teeth 6



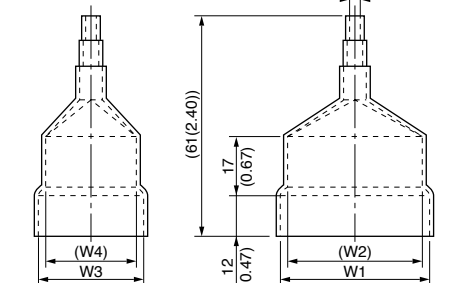
Capacitor (dimensions) [attachment]

Unit: mm (inch)



Capacitor cap (dimensions) [option]

Unit: mm (inch)



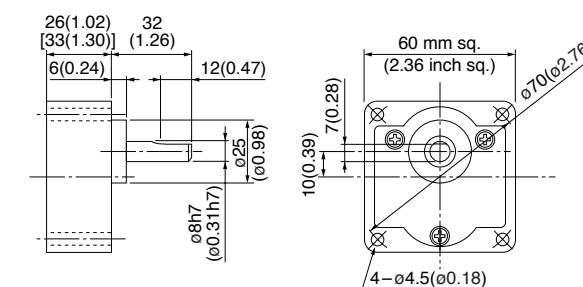
Capacitor dimension list Unit: upper (mm) / lower (inch)

Model number of motor	Model number of capacitor (attachment)	L	W	D	H	T	Capacitor cap (option)	W1	W2	W3	W4
M61X6G4L	M0PC2.5M20	39.5 (1.56)	16 (0.63)	26.5 (1.04)	30.5 (1.20)	4 (0.16)	M0PC3917	39.5 (1.56)	37.5 (1.48)	17 (0.67)	15 (0.59)
M61X6G4Y	M0PC0.7M40	39.5 (1.56)	16.2 (0.64)	27 (1.06)	27 (1.06)	4 (0.16)	M0PC3917	39.5 (1.56)	37.5 (1.48)	17 (0.67)	15 (0.59)

Gear head (dimensions)

Scale: 1/3, Unit: mm (inch)

MX6G□BA (ball bearing) Mass 0.24 kg (0.53 lb): Output shaft D cut
MX6G□MA (metal bearing) Mass 0.24 kg (0.53 lb): Output shaft D cut
MX6G□B (ball bearing) Mass 0.3 kg (0.66 lb): Output shaft D cut
MX6G□M (metal bearing) Mass 0.3 kg (0.66 lb): Output shaft D cut



* Figures in [] represent the dimensions of MX6G□B (M) (1/30 or larger reduction ratio).

(The model number of the gear head with a reduction ratio of 1/25 or smaller is MX6G□BA (MA).)

(Note) Because the dimensions may be subject to change, also check the determinate dimensions if the gear head is to be used for design.

Specifications

Size	Motor model No.	Number of pole (P)	Output (W)	Voltage (V)	Frequency (Hz)	Rating (min)	Rating				Starting current (A)	Starting torque N·m (oz-in)	Capacitor (μF) (rated voltage)	
							Input (W)	Current (A)	Speed (r/min)	Torque N·m (oz-in)				
60 mm sq.	M61X6G4LG M61X6G4LGA	4	6	100	50	Cont.	22	0.23	1275	0.045 (6.37)	0.32	0.051 (7.22)	3.5 (250 V)	
							23	0.23	1600	0.036 (5.10)	0.33	0.051 (7.22)		
	M61X6G4DG M61X6G4DGA	4	6	110	60	Cont.	21	0.20	1600	0.036 (5.10)	0.33	0.047 (6.66)	2.5 (250 V)	
							23	0.21	1625	0.035 (4.96)	0.34	0.051 (7.22)		
	M61X6G4YG M61X6G4YGA	4	6	200	50	Cont.	21	0.11	1225	0.047 (6.66)	0.14	0.051 (7.22)	0.8 (450 V)	
							22	0.11	1550	0.037 (5.24)	0.14	0.051 (7.22)		
	M61X6G4GG M61X6G4GGA	4	6	220	50	Cont.	22	0.11	1200	0.048 (6.80)	0.14	0.045 (6.37)	0.6 (450 V)	
							21	0.10	1550	0.037 (5.24)	0.14	0.045 (6.37)		
					230	50	Cont.	23	0.11	1250	0.046 (6.51)	0.15		0.050 (7.08)
								22	0.10	1575	0.036 (5.10)	0.15		0.051 (7.22)

• The specifications and wire connections of the round shaft motor are the same as those of the pinion shaft type. For the dimensional outline drawing, refer to page B-61.
 • The models with a motor model number to which "A" is suffixed are not equipped with a capacitor cap.
 • The models with a motor model number to which "A" is suffixed are not sold or available in Japan.

Permissible torque at output shaft of gear head

* The speed shown below is a calculated value based on the synchronous rotational speed. Depending on the load, the speed is less than the indicated value by 2% to 20%.

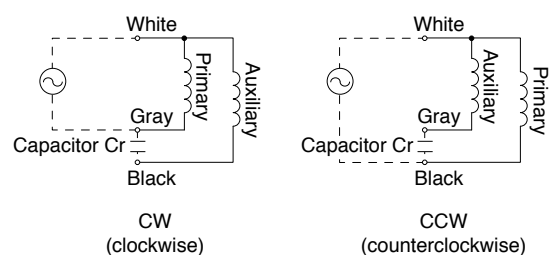
Unit of permissible torque: upper (N·m) / lower (lb-in)

Reduction ratio	Unit of permissible torque: upper (N·m) / lower (lb-in)																							
	3	3.6	5	6	7.5	9	10	12.5	15	18	20	25	30	36	50	60	75	90	100	120	150	180		
Speed (r/min)	[Data omitted for brevity]																							
Applicable gear head	MX6G3BA to MX6G180B (ball bearing)												MX6G3MA to MX6G180M (metal bearing)											
Rotational direction	Same as motor rotational direction												Reverse to motor rotational direction											

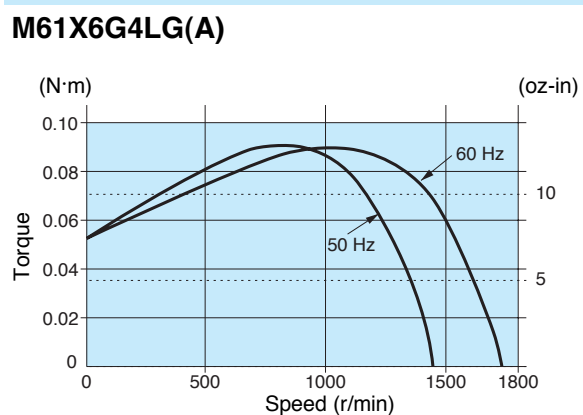
Permissible torque at output shaft of gear head using decimal gear head

Applicable gear head	Reduction ratio	Permissible torque															
		200	250	300	360	500	600	750	900	1000	1200	1500	1800				
Bearing	Decimal gear head	Speed (r/min)	50 Hz	7.5	6	5	4.2	3	2.5	2	1.7	1.5	1.3	1	0.8		
			60 Hz	9	7.2	6	5	3.6	3	2.4	2	1.8	1.5	1.2	1		
MX6G□BA (ball bearing)	MX6G10XB	Permissible torque	N·m (lb-in)	2.45 (21.7)	2.45 (21.7)	2.45 (21.7)	2.45 (21.7)	2.45 (21.7)	2.45 (21.7)	2.45 (21.7)	2.45 (21.7)	2.45 (21.7)	2.45 (21.7)	2.45 (21.7)	2.45 (21.7)		
MX6G□B (bearing)			Rotational direction	Same as motor rotational direction		Reverse to motor rotational direction											

Connection diagram



Speed-torque characteristics

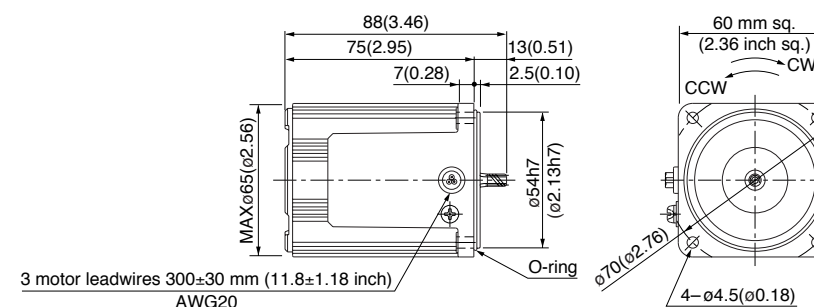


Motor (dimensions)

Scale: 1/3, Unit: mm (inch)

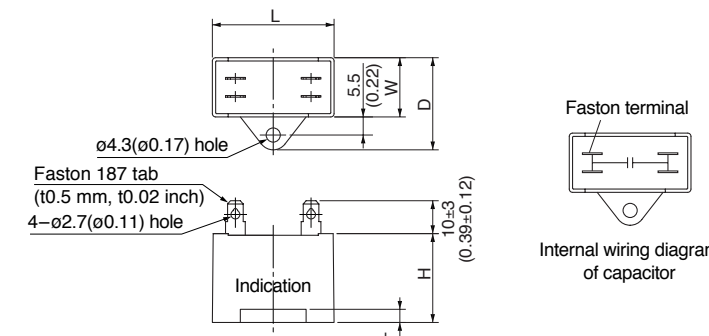
M61X6G4LG(A)	4P 6 W 100 V
M61X6G4DG(A)	4P 6 W 110 V / 115 V
M61X6G4YG(A)	4P 6 W 200 V
M61X6G4GG(A)	4P 6 W 220 V / 230 V

Mass	Helical gear	Module	Number of teeth
0.67 kg (1.48 lb)		0.5	6



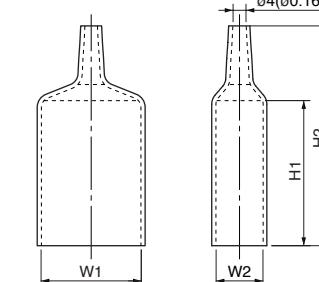
Capacitor (dimensions) [attachment]

Unit: mm (inch)



Capacitor cap (dimensions) [attachment]

Unit: mm (inch)



Capacitor dimension list

Unit: upper (mm) / lower (inch)

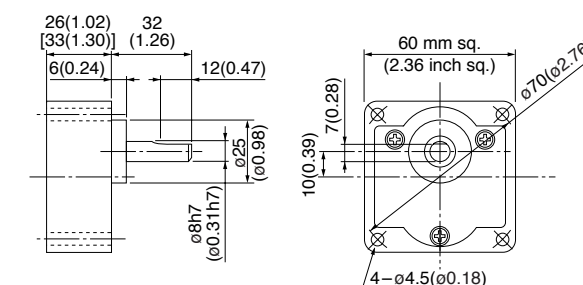
Model number of motor	Model number of capacitor (attachment)	L	W	D	H	T	Capacitor cap (attachment)	W1	W2	H1	H2
M61X6G4LG(A)	M0PC3.5M25G	31 (1.22)	17 (0.67)	27 (1.06)	27 (1.06)	4 (0.16)	M0PC3117G	31 (1.22)	17 (0.67)	50 (1.97)	73 (2.87)
M61X6G4DG(A)	M0PC2.5M25G	31 (1.22)	17 (0.67)	27 (1.06)	27 (1.06)	4 (0.16)	M0PC3117G	31 (1.22)	17 (0.67)	50 (1.97)	73 (2.87)
M61X6G4YG(A)	M0PC0.8M45G	31 (1.22)	17 (0.67)	27 (1.06)	27 (1.06)	4 (0.16)	M0PC3117G	31 (1.22)	17 (0.67)	50 (1.97)	73 (2.87)
M61X6G4GG(A)	M0PC0.6M45G	31 (1.22)	14.5 (0.57)	24.5 (0.96)	23.5 (0.93)	4 (0.16)	M0PC3114G	31 (1.22)	14.5 (0.57)	45 (1.77)	68 (2.68)

• The models with a motor model number to which "A" is suffixed are not equipped with a capacitor cap.

Gear head (dimensions)

Scale: 1/3, Unit: mm (inch)

MX6G□BA (ball bearing)	Mass 0.24 kg (0.53 lb): Output shaft D cut	MX6G□B (ball bearing)	Mass 0.3 kg (0.66 lb): Output shaft D cut
MX6G□MA (metal bearing)	Mass 0.24 kg (0.53 lb): Output shaft D cut	MX6G□M (metal bearing)	Mass 0.3 kg (0.66 lb): Output shaft D cut



* Figures in [] represent the dimensions of MX6G□B (M) (1/30 or larger reduction ratio).

(The model number of the gear head with a reduction ratio of 1/25 or smaller is MX6G□BA (MA).)

(Note) Because the dimensions may be subject to change, also check the determinate dimensions if the gear head is to be used for design.

* Please read your User's manual carefully so that you will understand the operation and safety precautions before attempting to operate the system.

Specifications

Size	Motor model No.	Number of pole (P)	Output (W)	Voltage (V)	Frequency (Hz)	Rating (min)	Rating				Starting current (A)	Starting torque N-m (oz-in)	Capacitor (μF) (rated voltage)
							Input (W)	Current (A)	Speed (r/min)	Torque N-m (oz-in)			
70 mm sq.	M71X10G4L	4	10	100	50	Cont.	26	0.27	1250	0.074 (10.48)	0.42	0.062 (8.78)	3 (200 V)
							26	0.26	1575	0.059 (8.36)	0.40	0.062 (8.78)	
	M71X10G4Y	4	10	200	50	Cont.	27	0.14	1250	0.075 (10.62)	0.20	0.064 (9.06)	1 (400 V)
							27	0.13	1575	0.060 (8.50)	0.20	0.064 (9.06)	

* The specifications and wire connections of the round shaft motor are the same as those of the pinion shaft type. For the dimensional outline drawing, refer to page B-61.

Permissible torque at output shaft of gear head

* The speed shown below is a calculated value based on the synchronous rotational speed. Depending on the load, the speed is less than the indicated value by 2 % to 20 %.

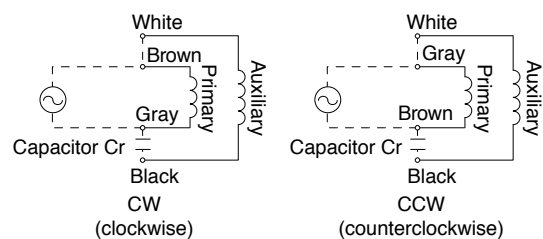
Unit of permissible torque: upper (N·m) / lower (lb-in)

Reduction ratio	Unit of permissible torque: upper (N·m) / lower (lb-in)																						
	3	3.6	5	6	7.5	9	10	12.5	15	18	20	25	30	36	50	60	75	90	100	120	150	180	
Speed (r/min)	50 Hz	500	416.7	300	250	200	166.7	150	120	100	83.3	75	60	50	41.7	30	25	20	16.7	15	12.5	10	8.3
Applicable gear head	50 Hz	0.16 (1.42)	0.19 (1.68)	0.25 (2.21)	0.30 (2.66)	0.38 (3.36)	0.46 (4.07)	0.51 (4.51)	0.64 (5.66)	0.77 (6.82)	0.93 (8.23)	0.98 (8.67)	1.27 (11.2)	1.47 (13.0)	1.76 (15.6)	2.55 (22.6)	3.04 (26.9)	3.63 (32.1)	4.31 (38.1)	4.80 (42.5)	4.90 (43.4)	4.90 (43.4)	4.90 (43.4)
	60 Hz	0.13 (1.15)	0.16 (1.42)	0.22 (1.95)	0.25 (2.21)	0.32 (2.83)	0.38 (3.36)	0.44 (3.89)	0.53 (4.69)	0.64 (5.66)	0.77 (6.82)	0.85 (7.52)	1.08 (9.56)	1.27 (11.2)	1.47 (13.0)	2.16 (19.1)	2.55 (22.6)	3.04 (26.9)	3.63 (32.1)	4.03 (35.7)	4.80 (42.5)	4.90 (43.4)	4.90 (43.4)
Rotational direction	Same as motor rotational direction											Reverse to motor rotational direction											

Permissible torque at output shaft of gear head using decimal gear head

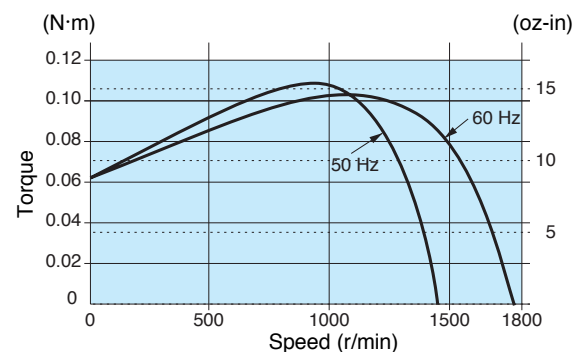
Applicable gear head		Reduction ratio	Reduction ratio											
Bearing	Decimal gear head		Speed (r/min)	200	250	300	360	500	600	750	900	1000	1200	1500
MX7G□BA (ball bearing) MX7G□B (ball bearing) MX7G□MA (metal bearing) MX7G□M (metal bearing)	MX7G10XB	50 Hz	7.5	6	5	4.2	3	2.5	2	1.7	1.5	1.3	1	0.8
		60 Hz	9	7.2	6	5	3.6	3	2.4	2	1.8	1.5	1.2	1
Permissible torque		N-m (lb-in)	4.90 (43.4)	4.90 (43.4)	4.90 (43.4)	4.90 (43.4)	4.90 (43.4)	4.90 (43.4)	4.90 (43.4)	4.90 (43.4)	4.90 (43.4)	4.90 (43.4)	4.90 (43.4)	4.90 (43.4)
Rotational direction			Same as motor rotational direction						Reverse to motor rotational direction					

Connection diagram



Speed-torque characteristics

M71X10G4L



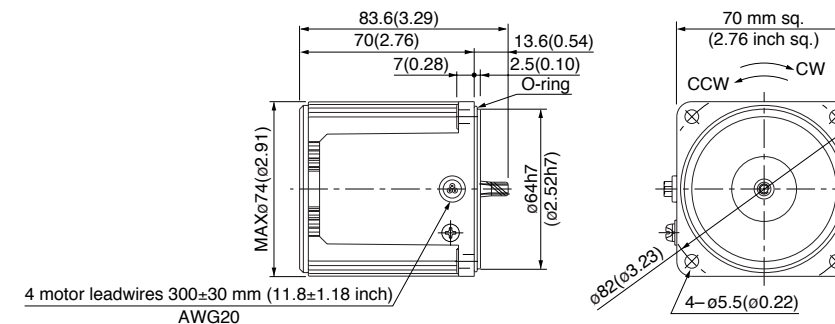
* Please read your User's manual carefully so that you will understand the operation and safety precautions before attempting to operate the system.

Motor (dimensions)

Scale: 1/3, Unit: mm (inch)

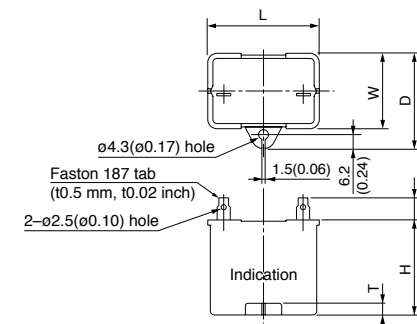
M71X10G4L	4P 10 W 100 V
M71X10G4Y	4P 10 W 200 V

Mass	Helical gear	Module	Number of teeth
0.84 kg 1.85 lb		0.5	7



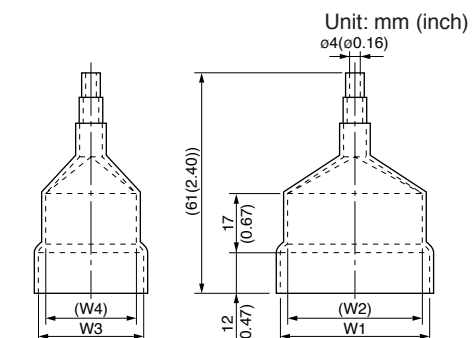
Capacitor (dimensions) [attachment]

Unit: mm (inch)



Capacitor cap (dimensions) [option]

Unit: mm (inch)



Capacitor dimension list

Unit: upper (mm) / lower (inch)

Model number of motor	Model number of capacitor (attachment)	L	W	D	H	T	Capacitor cap (option)	W1	W2	W3	W4
M71X10G4L	M0PC3M20	39.5 (1.56)	16 (0.63)	26.5 (1.04)	30.5 (1.20)	4 (0.16)	M0PC3917	39.5 (1.56)	37.5 (1.48)	17 (0.67)	15 (0.59)
M71X10G4Y	M0PC1M40	39.5 (1.56)	16.2 (0.64)	27 (1.06)	27 (1.06)	4 (0.16)	M0PC3917	39.5 (1.56)	37.5 (1.48)	17 (0.67)	15 (0.59)

Gear head (dimensions)

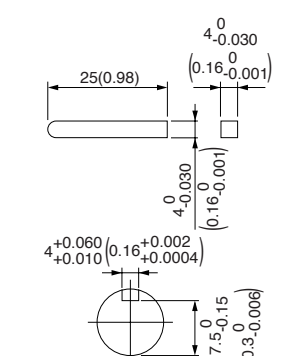
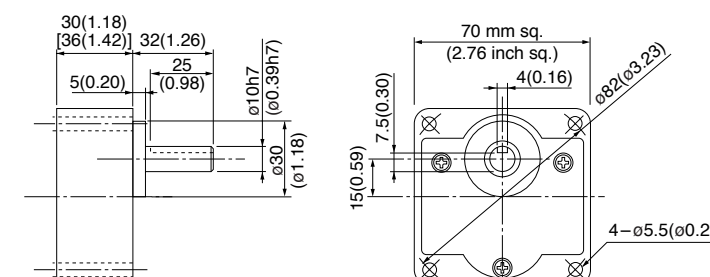
Scale: 1/3, Unit: mm (inch)

MX7G□BA (ball bearing)	Mass 0.38 kg (0.84 lb)
MX7G□MA (metal bearing)	Mass 0.38 kg (0.84 lb)

MX7G□B (ball bearing)	Mass 0.45 kg (0.99 lb)
MX7G□M (metal bearing)	Mass 0.45 kg (0.99 lb)

Key and keyway (dimensions) [attachment]

MX7G□BA(B)	MX7G□MA(M)
------------	------------



* Figures in [] represent the dimensions of MX7G□B (M) (1/30 or larger reduction ratio).

(The model number of the gear head with a reduction ratio of 1/25 or smaller is MX7G□BA (MA).)

(Note) Because the dimensions may be subject to change, also check the determinate dimensions if the gear head is to be used for design.

Specifications

Size	Motor model No.	Number of pole (P)	Output (W)	Voltage (V)	Frequency (Hz)	Rating (min)	Rating				Starting current (A)	Starting torque N-m (oz-in)	Capacitor (μF) (rated voltage)
							Input (W)	Current (A)	Speed (r/min)	Torque N-m (oz-in)			
70 mm sq.	M71X15G4L	4	15	100	50	Cont.	34	0.37	1250	0.11 (15.6)	0.61	0.077 (10.9)	4 (200 V)
							33	0.33	1575	0.088 (12.5)	0.57	0.077 (10.9)	
	M71X15G4Y	4	15	200	50	Cont.	33	0.18	1300	0.11 (15.6)	0.30	0.077 (10.9)	1 (400 V)
							34	0.17	1600	0.088 (12.5)	0.29	0.077 (10.9)	

* The specifications and wire connections of the round shaft motor are the same as those of the pinion shaft type. For the dimensional outline drawing, refer to page B-61.

Permissible torque at output shaft of gear head

* The speed shown below is a calculated value based on the synchronous rotational speed. Depending on the load, the speed is less than the indicated value by 2% to 20%.

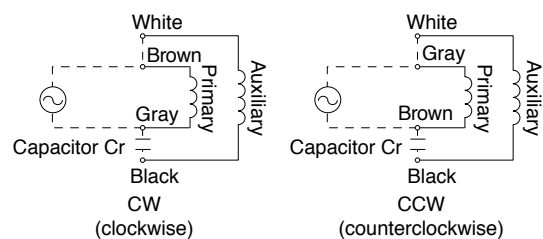
Unit of permissible torque: upper (N·m) / lower (lb-in)

Reduction ratio	Unit of permissible torque: upper (N·m) / lower (lb-in)																						
	3	3.6	5	6	7.5	9	10	12.5	15	18	20	25	30	36	50	60	75	90	100	120	150	180	
Speed (r/min)	50 Hz	500	416.7	300	250	200	166.7	150	120	100	83.3	75	60	50	41.7	30	25	20	16.7	15	12.5	10	8.3
	60 Hz	600	500	360	300	240	200	180	144	120	100	90	72	60	50	36	30	24	20	18	15	12	10
Applicable gear head	MX7G3BA to MX7G180B (ball bearing)	50 Hz	0.24 (2.12)	0.28 (2.48)	0.39 (3.45)	0.47 (4.16)	0.59 (5.22)	0.71 (6.28)	0.80 (7.08)	0.98 (8.67)	1.18 (10.4)	1.37 (12.1)	1.57 (13.9)	1.86 (16.5)	2.25 (19.9)	2.74 (24.3)	3.82 (33.8)	4.61 (40.8)	4.90 (43.4)				
		60 Hz	0.20 (1.77)	0.24 (2.12)	0.32 (2.83)	0.39 (3.45)	0.49 (4.34)	0.59 (5.22)	0.66 (5.84)	0.81 (7.17)	0.98 (8.67)	1.18 (10.4)	1.27 (11.2)	1.57 (13.9)	1.86 (16.5)	2.25 (19.9)	3.23 (28.6)	3.82 (33.8)	4.80 (42.5)				
Rotational direction		Same as motor rotational direction											Reverse to motor rotational direction										

Permissible torque at output shaft of gear head using decimal gear head

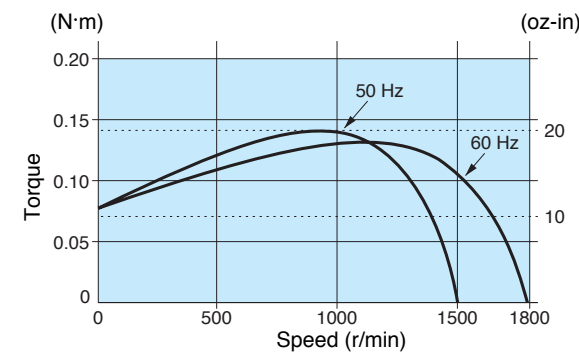
Applicable gear head		Reduction ratio	Unit of permissible torque: upper (N·m) / lower (lb-in)											
Bearing	Decimal gear head		Speed (r/min)	200	250	300	360	500	600	750	900	1000	1200	1500
MX7G□BA (ball bearing) MX7G□B (ball bearing) MX7G□MA (metal bearing) MX7G□M (metal bearing)	MX7G10XB	50 Hz	7.5	6	5	4.2	3	2.5	2	1.7	1.5	1.3	1	0.8
		60 Hz	9	7.2	6	5	3.6	3	2.4	2	1.8	1.5	1.2	1
Permissible torque		N-m (lb-in)	4.90 (43.4)	4.90 (43.4)	4.90 (43.4)	4.90 (43.4)	4.90 (43.4)	4.90 (43.4)	4.90 (43.4)	4.90 (43.4)	4.90 (43.4)	4.90 (43.4)	4.90 (43.4)	4.90 (43.4)
Rotational direction			Same as motor rotational direction						Reverse to motor rotational direction					

Connection diagram



Speed-torque characteristics

M71X15G4L

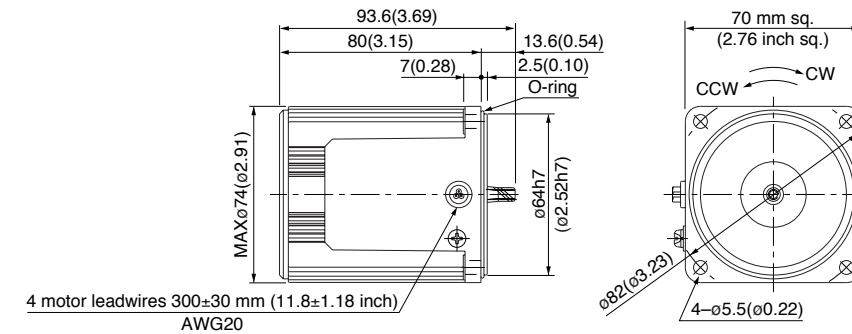


Motor (dimensions)

Scale: 1/3, Unit: mm (inch)

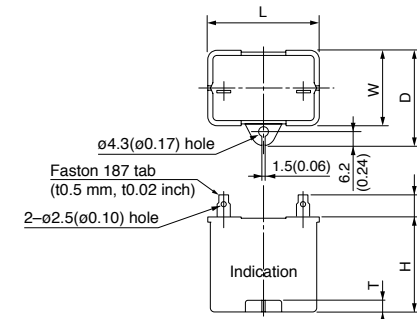
M71X15G4L	4P 15 W 100 V
M71X15G4Y	4P 15 W 200 V

Mass	Helical gear	Module	Number of teeth
1.1 kg 2.43 lb		0.5	7



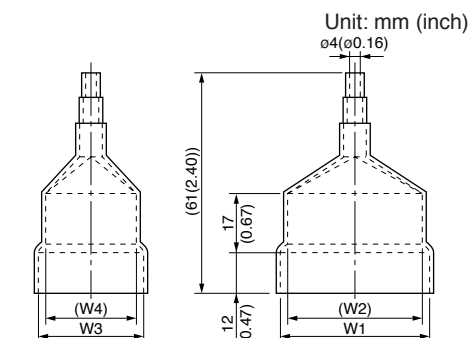
Capacitor (dimensions) [attachment]

Unit: mm (inch)



Capacitor cap (dimensions) [option]

Unit: mm (inch)



Capacitor dimension list

Unit: upper (mm) / lower (inch)

Model number of motor	Model number of capacitor (attachment)	L	W	D	H	T	Capacitor cap (option)	W1	W2	W3	W4
M71X15G4L	M0PC4M20	39.5 (1.56)	16 (0.63)	26.5 (1.04)	30.5 (1.20)	4 (0.16)	M0PC3917	39.5 (1.56)	37.5 (1.48)	17 (0.67)	15 (0.59)
M71X15G4Y	M0PC1M40	39.5 (1.56)	16.2 (0.64)	27 (1.06)	27 (1.06)	4 (0.16)	M0PC3917	39.5 (1.56)	37.5 (1.48)	17 (0.67)	15 (0.59)

Connection diagram

Gear head (dimensions)

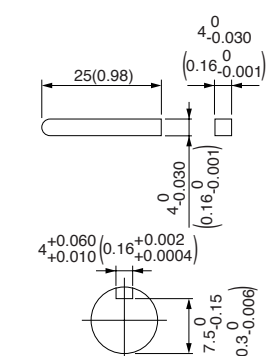
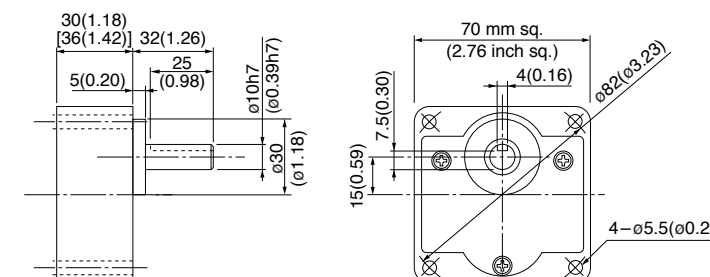
Scale: 1/3, Unit: mm (inch)

MX7G□BA (ball bearing)	Mass 0.38 kg (0.84 lb)
MX7G□MA (metal bearing)	Mass 0.38 kg (0.84 lb)

MX7G□B (ball bearing)	Mass 0.45 kg (0.99 lb)
MX7G□M (metal bearing)	Mass 0.45 kg (0.99 lb)

Key and keyway (dimensions) [attachment]

MX7G□BA(B)	4 ^{+0.030} _{-0.000}
MX7G□MA(M)	4 ^{+0.030} _{-0.000}



* Figures in [] represent the dimensions of MX7G□B (M) (1/30 or larger reduction ratio).

(The model number of the gear head with a reduction ratio of 1/25 or smaller is MX7G□BA (MA).)

(Note) Because the dimensions may be subject to change, also check the determinate dimensions if the gear head is to be used for design.

* Please read your User's manual carefully so that you will understand the operation and safety precautions before attempting to operate the system.

Specifications

Size	Motor model No.	Number of pole (P)	Output (W)	Voltage (V)	Frequency (Hz)	Rating (min)	Rating				Starting current (A)	Starting torque N·m (oz-in)	Capacitor (μF) (rated voltage)
							Input (W)	Current (A)	Speed (r/min)	Torque N·m (oz-in)			
70 mm sq.	M71X15G4LG M71X15G4LGA	4	15	100	50	Cont.	34	0.35	1250	0.11 (15.6)	0.57	0.090 (12.7)	5.5 (250 V)
							35	0.35	1600	0.090 (12.7)	0.56	0.090 (12.7)	
	M71X15G4DG M71X15G4DGA	4	15	110	60	Cont.	34	0.31	1600	0.090 (12.7)	0.58	0.090 (12.7)	4.5 (250 V)
							36	0.32	1625	0.088 (12.5)	0.61	0.10 (14.2)	
	M71X15G4YG M71X15G4YGA	4	15	200	50	Cont.	34	0.17	1175	0.12 (17.0)	0.24	0.090 (12.7)	1.3 (450 V)
							35	0.18	1550	0.092 (13.0)	0.24	0.090 (12.7)	
	M71X15G4GG M71X15G4GGA	4	15	220	60	Cont.	35	0.16	1275	0.11 (15.6)	0.27	0.10 (14.2)	1.2 (450 V)
							37	0.17	1600	0.090 (12.7)	0.26	0.10 (14.2)	
							36	0.16	1300	0.11 (15.6)	0.28	0.11 (15.6)	
							38	0.17	1625	0.088 (12.5)	0.27	0.11 (15.6)	

• The specifications and wire connections of the round shaft motor are the same as those of the pinion shaft type. For the dimensional outline drawing, refer to page B-61.
 • The models with a motor model number to which "A" is suffixed are not equipped with a capacitor cap.
 • The models with a motor model number to which "A" is suffixed are not sold or available in Japan.

Permissible torque at output shaft of gear head

* The speed shown below is a calculated value based on the synchronous rotational speed. Depending on the load, the speed is less than the indicated value by 2% to 20%.

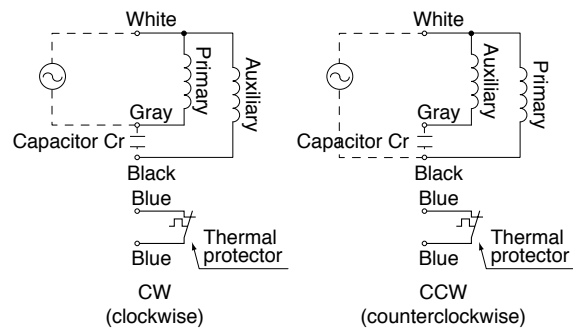
Unit of permissible torque: upper (N·m) / lower (lb-in)

Reduction ratio	Speed (r/min)																						
	3	3.6	5	6	7.5	9	10	12.5	15	18	20	25	30	36	50	60	75	90	100	120	150	180	
50 Hz	500	416.7	300	250	200	166.7	150	120	100	83.3	75	60	50	41.7	30	25	20	16.7	15	12.5	10	8.3	
60 Hz	600	500	360	300	240	200	180	144	120	100	90	72	60	50	36	30	24	20	18	15	12	10	
Applicable gear head	MX7G3BA to MX7G180B (ball bearing)	50 Hz	0.24 (2.12)	0.28 (2.48)	0.39 (3.45)	0.47 (4.16)	0.59 (5.22)	0.71 (6.28)	0.80 (7.08)	0.98 (8.67)	1.18 (10.4)	1.37 (12.1)	1.57 (13.9)	1.86 (16.5)	2.25 (19.9)	2.74 (24.3)	3.82 (33.8)	4.61 (40.8)	4.90 (43.4)				
		60 Hz	0.20 (1.77)	0.24 (2.12)	0.32 (2.83)	0.39 (3.45)	0.49 (4.34)	0.59 (5.22)	0.66 (5.84)	0.81 (7.17)	0.98 (8.67)	1.18 (10.4)	1.27 (11.2)	1.57 (13.9)	1.86 (16.5)	2.25 (19.9)	3.23 (28.6)	3.82 (33.8)	4.80 (42.5)	4.90 (43.4)			
Rotational direction		Same as motor rotational direction											Reverse to motor rotational direction										

Permissible torque at output shaft of gear head using decimal gear head

Applicable gear head	Reduction ratio	Speed (r/min)															
		200	250	300	360	500	600	750	900	1000	1200	1500	1800				
Bearing	Decimal gear head	50 Hz	7.5	6	5	4.2	3	2.5	2	1.7	1.5	1.3	1	0.8			
		60 Hz	9	7.2	6	5	3.6	3	2.4	2	1.8	1.5	1.2	1			
MX7G□BA (ball bearing) MX7G□B (bearing) MX7G□MA (metal bearing) MX7G□M (bearing)	MX7G10XB	Permissible torque	N·m (lb-in)	4.90 (43.4)	4.90 (43.4)	4.90 (43.4)	4.90 (43.4)	4.90 (43.4)	4.90 (43.4)	4.90 (43.4)	4.90 (43.4)	4.90 (43.4)	4.90 (43.4)	4.90 (43.4)			
		Rotational direction		Same as motor rotational direction			Reverse to motor rotational direction										

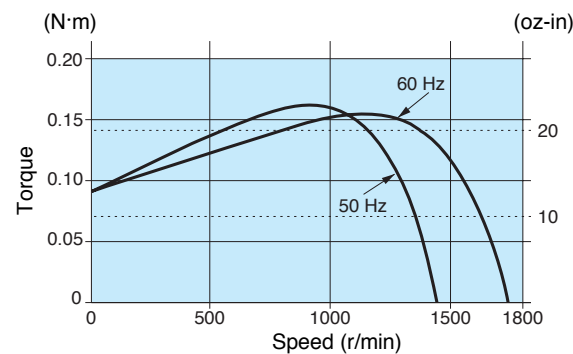
Connection diagram



(Refer to page A-58 for connection of thermal protector.)

Speed-torque characteristics

M71X15G4LG(A)

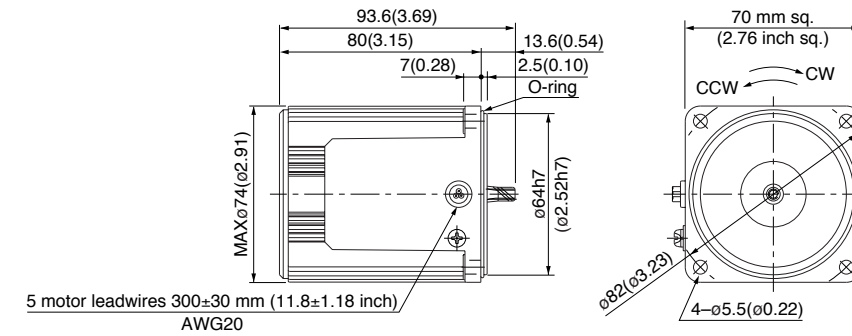


Motor (dimensions)

Scale: 1/3, Unit: mm (inch)

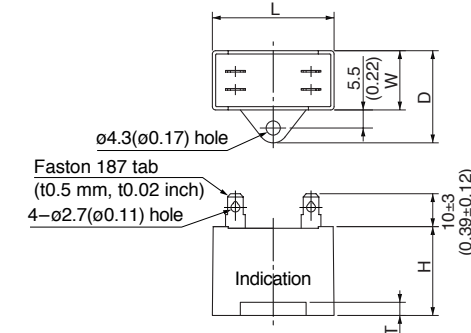
M71X15G4LG(A)	4P	15W	100 V
M71X15G4DG(A)	4P	15W	110 V / 115 V
M71X15G4YG(A)	4P	15W	200 V
M71X15G4GG(A)	4P	15W	220 V / 230 V

Mass	Helical gear	Module	Number of teeth
1.1 kg 2.43 lb		0.5	7



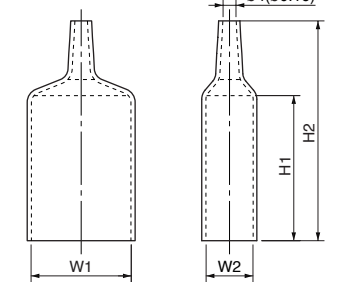
Capacitor (dimensions) [attachment]

Unit: mm (inch)



Capacitor cap (dimensions) [attachment]

Unit: mm (inch)



Capacitor dimension list

Unit: upper (mm) / lower (inch)

Model number of motor	Model number of capacitor (attachment)	L	W	D	H	T	Capacitor cap (attachment)	W1	W2	H1	H2
M71X15G4LG(A)	M0PC5.5M25G	38 (1.50)	21 (0.83)	31 (1.22)	31 (1.22)	4 (0.16)	M0PC3821G	38 (1.50)	21 (0.83)	55 (2.17)	78 (3.07)
M71X15G4DG(A)	M0PC4.5M25G	37 (1.46)	18 (0.71)	28 (1.10)	27 (1.06)	4 (0.16)	M0PC3718G	37 (1.46)	18 (0.71)	50 (1.97)	73 (2.87)
M71X15G4YG(A)	M0PC1.3M45G	38 (1.50)	19 (0.75)	29 (1.14)	29 (1.14)	4 (0.16)	M0PC3819G	38 (1.50)	19 (0.75)	50 (1.97)	73 (2.87)
M71X15G4GG(A)	M0PC1.2M45G	37 (1.46)	18 (0.71)	28 (1.10)	27 (1.06)	4 (0.16)	M0PC3718G	37 (1.46)	18 (0.71)	50 (1.97)	73 (2.87)

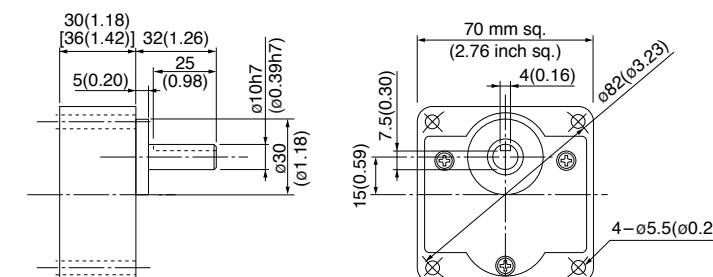
• The models with a motor model number to which "A" is suffixed are not equipped with a capacitor cap.

Gear head (dimensions)

Scale: 1/3, Unit: mm (inch)

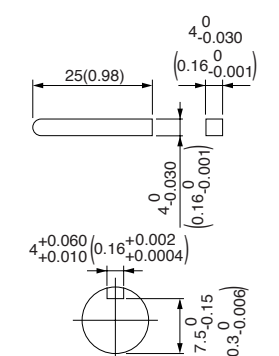
MX7G□BA (ball bearing) Mass 0.38 kg (0.84 lb)
 MX7G□MA (metal bearing) Mass 0.38 kg (0.84 lb)

MX7G□B (ball bearing) Mass 0.45 kg (0.99 lb)
 MX7G□M (metal bearing) Mass 0.45 kg (0.99 lb)



Key and keyway (dimensions) [attachment]

MX7G□BA(B)
 MX7G□MA(M)



* Figures in [] represent the dimensions of MX7G□B (M) (1/30 or larger reduction ratio).

(The model number of the gear head with a reduction ratio of 1/25 or smaller is MX7G□BA (MA).)

(Note) Because the dimensions may be subject to change, also check the determinate dimensions if the gear head is to be used for design.

Specifications

Size	Motor model No.	Number of pole (P)	Output (W)	Voltage (V)	Frequency (Hz)	Rating (min)	Rating				Starting current (A)	Starting torque N-m (oz-in)	Capacitor (μF) (rated voltage)
							Input (W)	Current (A)	Speed (r/min)	Torque N-m (oz-in)			
80 mm sq.	M81X15G4L	4	15	100	50	Cont.	36	0.39	1225	0.12 (17.0)	0.62	0.10 (14.2)	4 (200 V)
							35	0.35	1550	0.09 (12.7)	0.60	0.10 (14.2)	
	M81X15G4Y	4	15	200	50	Cont.	36	0.19	1225	0.12 (17.0)	0.30	0.10 (14.2)	1 (400 V)
							35	0.18	1550	0.09 (12.7)	0.30	0.10 (14.2)	

* The specifications and wire connections of the round shaft motor are the same as those of the pinion shaft type. For the dimensional outline drawing, refer to page B-61.

Permissible torque at output shaft of gear head

* The speed shown below is a calculated value based on the synchronous rotational speed. Depending on the load, the speed is less than the indicated value by 2 % to 20 %.

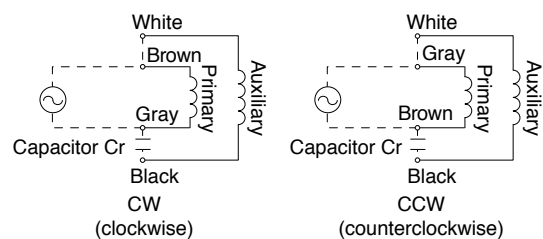
Unit of permissible torque: upper (N·m) / lower (lb-in)

Reduction ratio	Unit of permissible torque: upper (N·m) / lower (lb-in)																						
	3	3.6	5	6	7.5	9	10	12.5	15	18	20	25	30	36	50	60	75	90	100	120	150	180	
Speed (r/min)	50 Hz	500	416.7	300	250	200	166.7	150	120	100	83.3	75	60	50	41.7	30	25	20	16.7	15	12.5	10	8.3
	60 Hz	600	500	360	300	240	200	180	144	120	100	90	72	60	50	36	30	24	20	18	15	12	10
Applicable gear head	MX8G3B to MX8G180B (ball bearing)	50 Hz	0.24 (2.12)	0.28 (2.48)	0.39 (3.45)	0.47 (4.16)	0.59 (5.22)	0.71 (6.28)	0.80 (7.08)	0.98 (8.67)	1.18 (10.4)	1.37 (12.1)	1.57 (13.9)	1.86 (16.5)	2.25 (19.9)	2.74 (24.3)	3.82 (33.8)	4.61 (40.8)	5.49 (48.6)	6.57 (58.1)	7.35 (65.1)	7.84 (69.4)	7.84 (69.4)
		60 Hz	0.20 (1.77)	0.24 (2.12)	0.32 (2.83)	0.39 (3.45)	0.49 (4.34)	0.59 (5.22)	0.66 (5.84)	0.81 (7.17)	0.98 (8.67)	1.18 (10.4)	1.27 (11.2)	1.57 (13.9)	1.86 (16.5)	2.25 (19.9)	3.23 (28.6)	3.82 (33.8)	4.61 (40.8)	5.49 (48.6)	6.17 (54.6)	7.35 (65.1)	7.84 (69.4)
Rotational direction		Same as motor rotational direction											Reverse to motor rotational direction										

Permissible torque at output shaft of gear head using decimal gear head

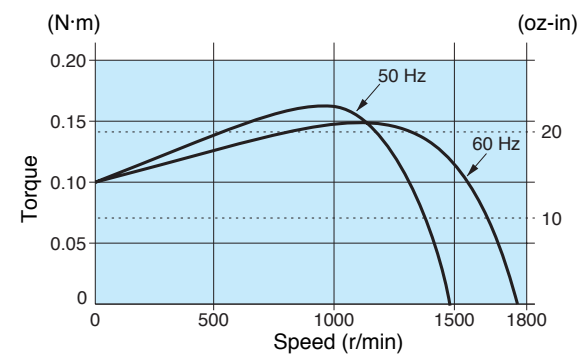
Applicable gear head		Reduction ratio	Reduction ratio													
Bearing	Decimal gear head		Speed (r/min)	50 Hz	7.5	6	5	4.2	3	2.5	2	1.7	1.5	1.3	1	0.8
MX8G□B (ball bearing) MX8G□M (metal bearing)	MX8G10XB	Permissible torque	N-m (lb-in)	7.84 (69.4)	7.84 (69.4)	7.84 (69.4)	7.84 (69.4)	7.84 (69.4)	7.84 (69.4)	7.84 (69.4)	7.84 (69.4)	7.84 (69.4)	7.84 (69.4)	7.84 (69.4)	7.84 (69.4)	7.84 (69.4)
		Rotational direction		Same as motor rotational direction			Reverse to motor rotational direction									

Connection diagram



Speed-torque characteristics

M81X15G4L



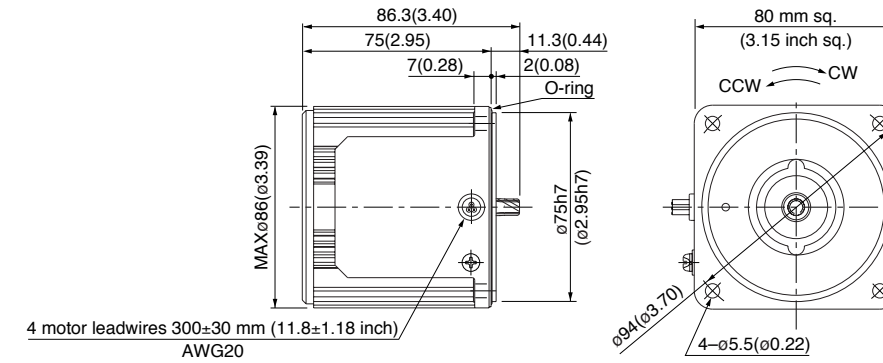
* Please read your User's manual carefully so that you will understand the operation and safety precautions before attempting to operate the system.

Motor (dimensions)

Scale: 1/3, Unit: mm (inch)

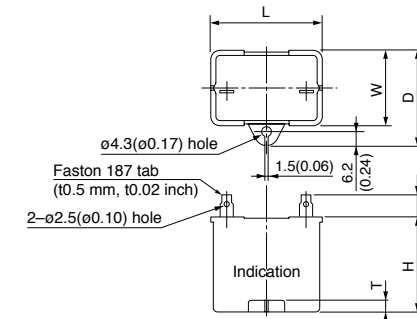
M81X15G4L	4P 15 W 100 V
M81X15G4Y	4P 15 W 200 V

Mass	Helical gear	Module	Number of teeth
1.2 kg 2.65 lb		0.5	9



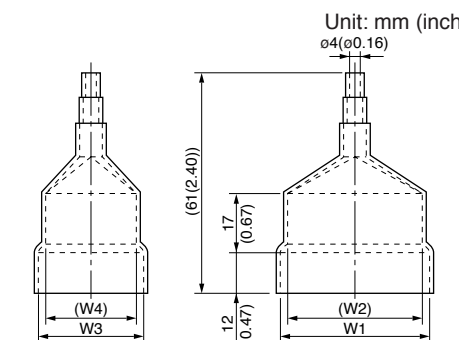
Capacitor (dimensions) [attachment]

Unit: mm (inch)



Capacitor cap (dimensions) [option]

Unit: mm (inch)



Capacitor dimension list

Unit: upper (mm) / lower (inch)

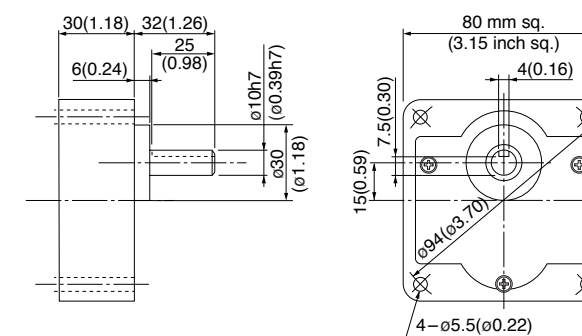
Model number of motor	Model number of capacitor (attachment)	L	W	D	H	T	Capacitor cap (option)	W1	W2	W3	W4
M81X15G4L	M0PC4M20	39.5 (1.56)	16 (0.63)	26.5 (1.04)	30.5 (1.20)	4 (0.16)	M0PC3917	39.5 (1.56)	37.5 (1.48)	17 (0.67)	15 (0.59)
M81X15G4Y	M0PC1M40	39.5 (1.56)	16.2 (0.64)	27 (1.06)	27 (1.06)	4 (0.16)	M0PC3917	39.5 (1.56)	37.5 (1.48)	17 (0.67)	15 (0.59)

Connection diagram

Gear head (dimensions)

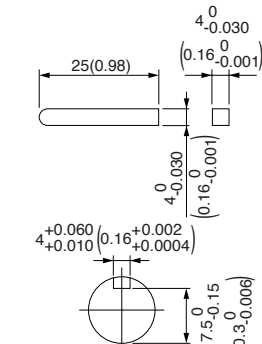
Scale: 1/3, Unit: mm (inch)

MX8G□B (ball bearing)	Mass 0.6 kg (1.32 lb)	MX8G□M (metal bearing)	Mass 0.6 kg (1.32 lb)
-----------------------	-----------------------	------------------------	-----------------------



Key and keyway (dimensions) [attachment]

MX8G□B(M)



(Note) Because the dimensions may be subject to change, also check the determinate dimensions if the gear head is to be used for design.

Specifications

Size	Motor model No.	Number of pole (P)	Output (W)	Voltage (V)	Frequency (Hz)	Rating (min)	Rating				Starting current (A)	Starting torque N-m (oz-in)	Capacitor (μF) (rated voltage)
							Input (W)	Current (A)	Speed (r/min)	Torque N-m (oz-in)			
80 mm sq.	M81X25G4L	4	25	100	50	Cont.	51	0.55	1250	0.19 (26.9)	0.98	0.16 (22.7)	6 (200 V)
							49	0.48	1550	0.15 (21.2)	0.94	0.16 (22.7)	
	M81X25G4Y	4	25	200	50	Cont.	51	0.27	1250	0.19 (26.9)	0.50	0.16 (22.7)	1.5 (400 V)
							49	0.24	1575	0.15 (21.2)	0.47	0.16 (22.7)	

* The specifications and wire connections of the round shaft motor are the same as those of the pinion shaft type. For the dimensional outline drawing, refer to page B-61.

Permissible torque at output shaft of gear head

* The speed shown below is a calculated value based on the synchronous rotational speed. Depending on the load, the speed is less than the indicated value by 2 % to 20 %.

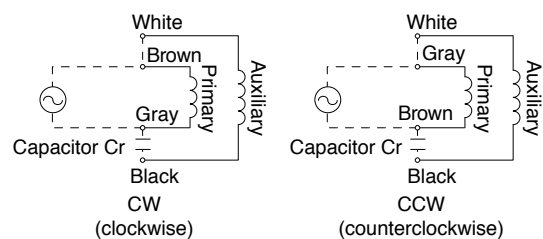
Unit of permissible torque: upper (N·m) / lower (lb·in)

Reduction ratio	Unit of permissible torque: upper (N·m) / lower (lb·in)																							
	3	3.6	5	6	7.5	9	10	12.5	15	18	20	25	30	36	50	60	75	90	100	120	150	180		
Speed (r/min)	50 Hz	500	416.7	300	250	200	166.7	150	120	100	83.3	75	60	50	41.7	30	25	20	16.7	15	12.5	10	8.3	
	60 Hz	600	500	360	300	240	200	180	144	120	100	90	72	60	50	36	30	24	20	18	15	12	10	
Applicable gear head	MX8G3B to MX8G180B (ball bearing)	50 Hz	0.39 (3.45)	0.47 (4.16)	0.66 (5.84)	0.78 (6.90)	0.98 (8.67)	1.18 (10.4)	1.27 (11.2)	1.57 (13.9)	1.96 (17.3)	2.35 (20.8)	2.55 (22.6)	3.14 (27.8)	3.82 (33.8)	4.61 (40.8)	6.37 (56.4)	7.64 (67.6)						7.84 (69.4)
		60 Hz	0.32 (2.83)	0.39 (3.45)	0.55 (4.87)	0.66 (5.84)	0.81 (7.17)	0.98 (8.67)	1.08 (9.56)	1.27 (11.2)	1.57 (13.9)	1.96 (17.3)	2.06 (18.2)	2.65 (23.5)	3.14 (27.8)	3.82 (33.8)	5.29 (46.8)	6.37 (56.4)						7.84 (69.4)
Rotational direction		Same as motor rotational direction											Reverse to motor rotational direction											

Permissible torque at output shaft of gear head using decimal gear head

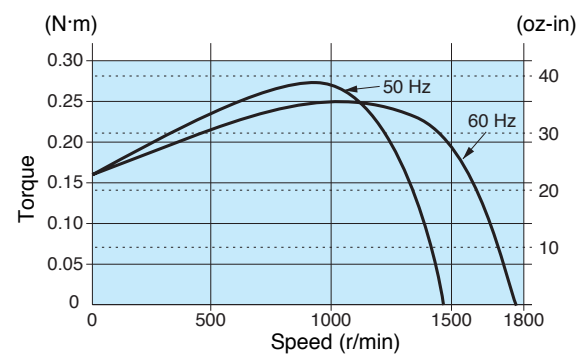
Applicable gear head		Reduction ratio	Reduction ratio														
Bearing	Decimal gear head		Speed (r/min)	50 Hz		7.5	6	5	4.2	3	2.5	2	1.7	1.5	1.3	1	0.8
		MX8G□B (ball bearing) MX8G□M (metal bearing)		MX8G10XB	Permissible torque	N-m (lb-in)	7.84 (69.4)	7.84 (69.4)	7.84 (69.4)	7.84 (69.4)	7.84 (69.4)	7.84 (69.4)	7.84 (69.4)	7.84 (69.4)	7.84 (69.4)	7.84 (69.4)	7.84 (69.4)
Rotational direction	Same as motor rotational direction						Reverse to motor rotational direction										

Connection diagram



Speed-torque characteristics

M81X25G4L



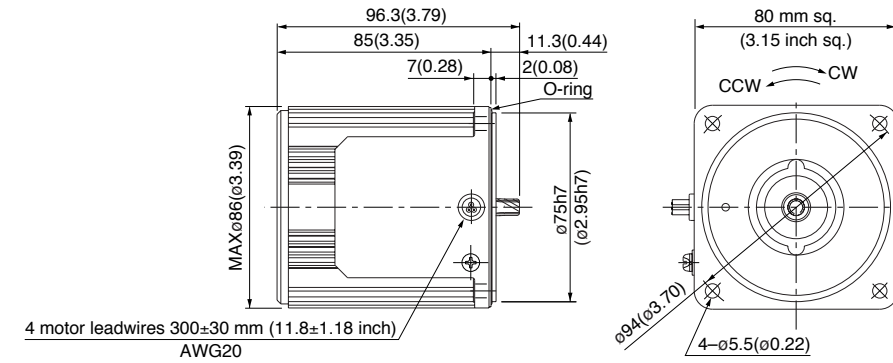
* Please read your User's manual carefully so that you will understand the operation and safety precautions before attempting to operate the system.

Motor (dimensions)

Scale: 1/3, Unit: mm (inch)

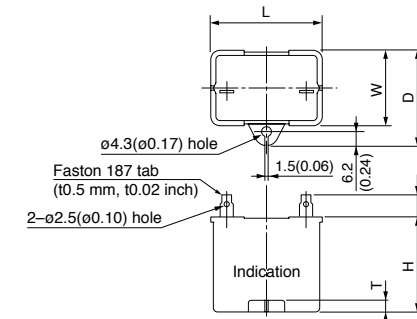
M81X25G4L	4P 25 W 100 V
M81X25G4Y	4P 25 W 200 V

Mass	Helical gear	Module	Number of teeth
1.5 kg 3.31 lb		0.5	9



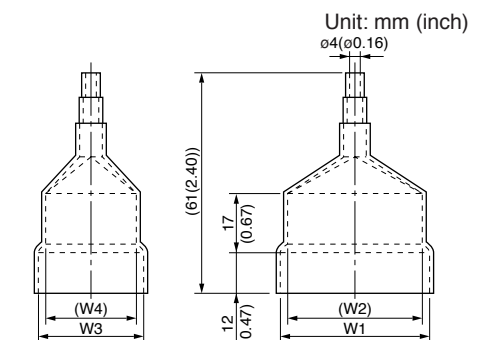
Capacitor (dimensions) [attachment]

Unit: mm (inch)



Capacitor cap (dimensions) [option]

Unit: mm (inch)



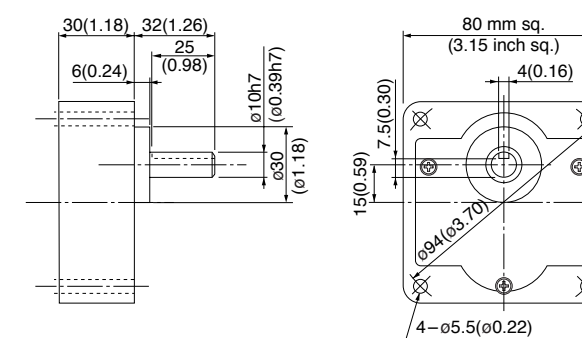
Capacitor dimension list Unit: upper (mm) / lower (inch)

Model number of motor	Model number of capacitor (attachment)	L	W	D	H	T	Capacitor cap (option)	W1	W2	W3	W4
M81X25G4L	M0PC6M20	39.5 (1.56)	17.5 (0.69)	28 (1.10)	30.5 (1.20)	4 (0.16)	M0PC3917	39.5 (1.56)	37.5 (1.48)	17 (0.67)	15 (0.59)
M81X25G4Y	M0PC1.5M40	39.5 (1.56)	22 (0.87)	32.5 (1.28)	32.5 (1.28)	4 (0.16)	M0PC3922	39.5 (1.56)	37.5 (1.48)	22 (0.87)	20 (0.79)

Gear head (dimensions)

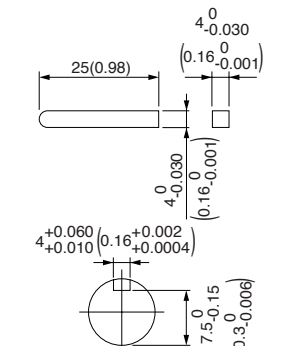
Scale: 1/3, Unit: mm (inch)

MX8G□B (ball bearing) Mass 0.6 kg (1.32 lb)	MX8G□M (metal bearing) Mass 0.6 kg (1.32 lb)
---	--



Key and keyway (dimensions) [attachment]

MX8G□B(M)



(Note) Because the dimensions may be subject to change, also check the determinate dimensions if the gear head is to be used for design.

Specifications

Size	Motor model No.	Number of pole (P)	Output (W)	Voltage (V)	Frequency (Hz)	Rating (min)	Rating				Starting current (A)	Starting torque N·m (oz-in)	Capacitor (μF) (rated voltage)
							Input (W)	Current (A)	Speed (r/min)	Torque N·m (oz-in)			
80 mm sq.	M81X25G4LG M81X25G4LGA	4	25	100	50	Cont.	55	0.59	1250	0.19 (26.9)	1.1	0.16 (22.7)	8 (250 V)
							50	0.50	1575	0.15 (21.2)	1.0	0.16 (22.7)	6 (250 V)
	M81X25G4DG M81X25G4DGA	4	25	110	60	Cont.	52	0.50	1575	0.15 (21.2)	1.1	0.14 (19.8)	6 (250 V)
							53	0.50	1600	0.15 (21.2)	1.1	0.15 (21.2)	2.1 (450 V)
	M81X25G4YG M81X25G4YGA	4	25	200	50	Cont.	54	0.27	1200	0.20 (28.3)	0.43	0.16 (22.7)	2.1 (450 V)
							54	0.27	1550	0.15 (21.2)	0.42	0.16 (22.7)	1.5 (450 V)
	M81X25G4GG M81X25G4GGA	4	25	220	60	Cont.	59	0.29	1200	0.20 (28.3)	0.46	0.15 (21.2)	1.5 (450 V)
							51	0.23	1550	0.15 (21.2)	0.44	0.15 (21.2)	1.5 (450 V)
				230	50	Cont.	59	0.28	1250	0.19 (26.9)	0.48	0.16 (22.7)	1.5 (450 V)
							52	0.23	1575	0.15 (21.2)	0.45	0.16 (22.7)	

• The specifications and wire connections of the round shaft motor are the same as those of the pinion shaft type. For the dimensional outline drawing, refer to page B-61.
 • The models with a motor model number to which "A" is suffixed are not equipped with a capacitor cap.
 • The models with a motor model number to which "A" is suffixed are not sold or available in Japan.

Permissible torque at output shaft of gear head

* The speed shown below is a calculated value based on the synchronous rotational speed. Depending on the load, the speed is less than the indicated value by 2 % to 20 %.

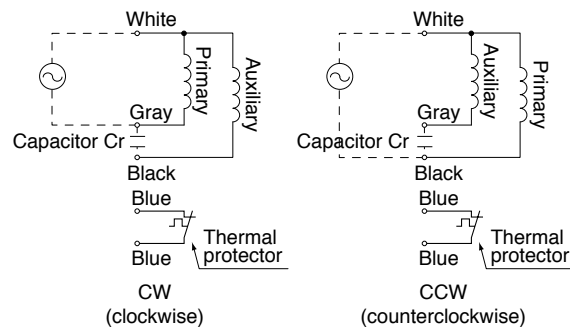
Unit of permissible torque: upper (N·m) / lower (lb-in)

Reduction ratio	Speed (r/min)																					
	3	3.6	5	6	7.5	9	10	12.5	15	18	20	25	30	36	50	60	75	90	100	120	150	180
50 Hz	500	416.7	300	250	200	166.7	150	120	100	83.3	75	60	50	41.7	30	25	20	16.7	15	12.5	10	8.3
60 Hz	600	500	360	300	240	200	180	144	120	100	90	72	60	50	36	30	24	20	18	15	12	10
Applicable gear head	Same as motor rotational direction											Reverse to motor rotational direction										
	MX8G3B to MX8G180B (ball bearing)	0.39 (3.45)	0.47 (4.16)	0.66 (5.84)	0.78 (6.90)	0.98 (8.67)	1.18 (10.4)	1.27 (11.2)	1.57 (13.9)	1.96 (17.3)	2.35 (20.8)	2.55 (22.6)	3.14 (27.8)	3.82 (33.8)	4.61 (40.8)	6.37 (56.4)	7.64 (67.6)					
MX8G3M to MX8G180M (metal bearing)	0.32 (2.83)	0.39 (3.45)	0.55 (4.87)	0.66 (5.84)	0.81 (7.17)	0.98 (8.67)	1.08 (9.56)	1.27 (11.2)	1.57 (13.9)	1.96 (17.3)	2.06 (18.2)	2.65 (23.5)	3.14 (27.8)	3.82 (33.8)	5.29 (46.8)	6.37 (56.4)						7.84 (69.4)

Permissible torque at output shaft of gear head using decimal gear head

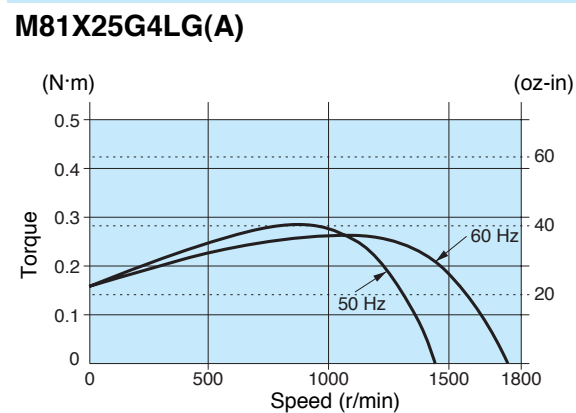
Applicable gear head	Reduction ratio	Speed (r/min)															
		200	250	300	360	500	600	750	900	1000	1200	1500	1800				
Bearing	Decimal gear head	50 Hz	7.5	6	5	4.2	3	2.5	2	1.7	1.5	1.3	1	0.8			
		60 Hz	9	7.2	6	5	3.6	3	2.4	2	1.8	1.5	1.2	1			
MX8G□B (ball bearing) MX8G□M (metal bearing)	MX8G10XB	Permissible torque	N·m (lb-in)	7.84 (69.4)	7.84 (69.4)	7.84 (69.4)	7.84 (69.4)	7.84 (69.4)	7.84 (69.4)	7.84 (69.4)	7.84 (69.4)	7.84 (69.4)	7.84 (69.4)	7.84 (69.4)			
		Rotational direction		Same as motor rotational direction	Reverse to motor rotational direction												

Connection diagram



(Refer to page A-58 for connection of thermal protector.)

Speed-torque characteristics

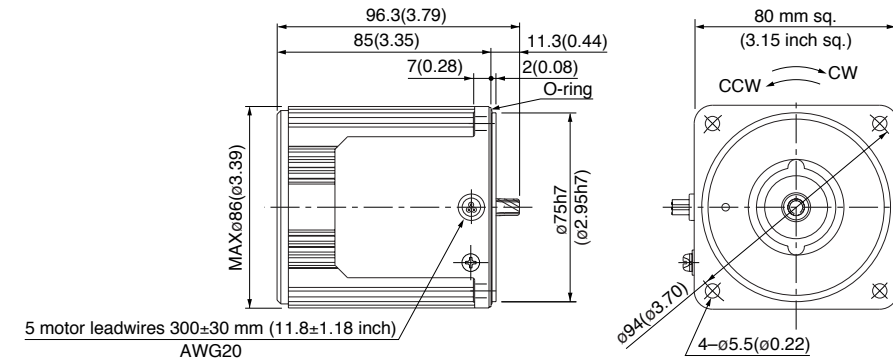


Motor (dimensions)

Scale: 1/3, Unit: mm (inch)

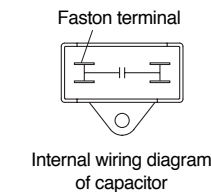
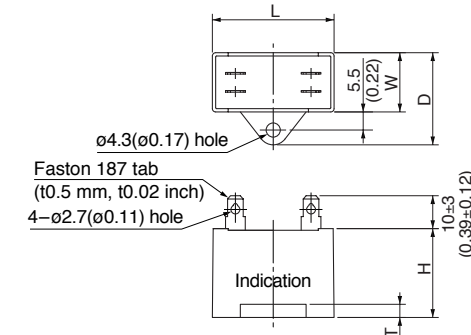
M81X25G4LG(A)	4P	25 W	100 V
M81X25G4DG(A)	4P	25 W	110 V / 115 V
M81X25G4YG(A)	4P	25 W	200 V
M81X25G4GG(A)	4P	25 W	220 V / 230 V

Mass	Helical gear	Module	Number of teeth
1.5 kg 3.31 lb		0.5	9



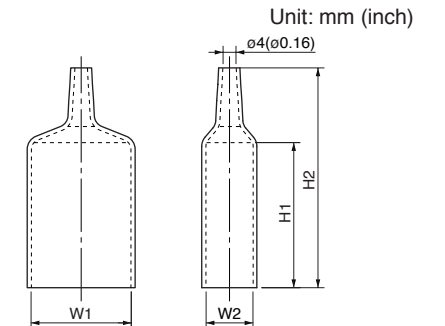
Capacitor (dimensions) [attachment]

Unit: mm (inch)



Capacitor cap (dimensions) [attachment]

Unit: mm (inch)



Capacitor dimension list

Unit: upper (mm) / lower (inch)

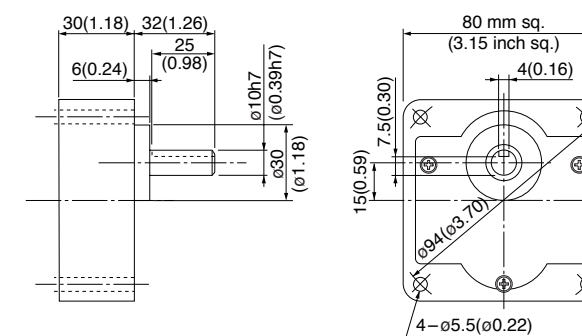
Model number of motor	Model number of capacitor (attachment)	L	W	D	H	T	Capacitor cap (attachment)	W1	W2	H1	H2
M81X25G4LG(A)	M0PC8M25G	48 (1.89)	21 (0.83)	31 (1.22)	31 (1.22)	4 (0.16)	M0PC4821G	48 (1.89)	21 (0.83)	55 (2.17)	78 (3.07)
M81X25G4DG(A)	M0PC6M25G	38 (1.50)	21 (0.83)	31 (1.22)	31 (1.22)	4 (0.16)	M0PC3821G	38 (1.50)	21 (0.83)	55 (2.17)	78 (3.07)
M81X25G4YG(A)	M0PC2.1M45G	48 (1.89)	21 (0.83)	31 (1.22)	31 (1.22)	4 (0.16)	M0PC4821G	48 (1.89)	21 (0.83)	55 (2.17)	78 (3.07)
M81X25G4GG(A)	M0PC1.5M45G	38 (1.50)	21 (0.83)	31 (1.22)	31 (1.22)	4 (0.16)	M0PC3821G	38 (1.50)	21 (0.83)	55 (2.17)	78 (3.07)

• The models with a motor model number to which "A" is suffixed are not equipped with a capacitor cap.

Gear head (dimensions)

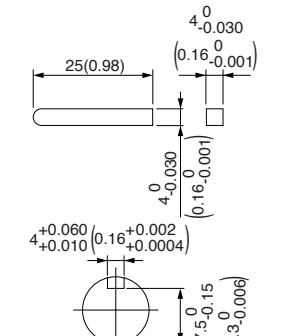
Scale: 1/3, Unit: mm (inch)

MX8G□B (ball bearing) Mass 0.6 kg (1.32 lb) MX8G□M (metal bearing) Mass 0.6 kg (1.32 lb)



Key and keyway (dimensions) [attachment]

MX8G□B(M)



Specifications

Size	Motor model No.	Number of pole (P)	Output (W)	Voltage (V)	Frequency (Hz)	Rating (min)	Rating				Starting current (A)	Starting torque N-m (oz-in)	Capacitor (μF) (rated voltage)
							Input (W)	Current (A)	Speed (r/min)	Torque N-m (oz-in)			
90 mm sq.	M91X40G4L	4	40	100	50	Cont.	78	0.86	1225	0.30 (42.5)	1.5	0.24 (34.0)	10 (200 V)
							72	0.72	1550	0.25 (35.4)	1.5	0.25 (35.4)	
	M91X40G4Y	4	40	200	50	Cont.	79	0.43	1250	0.30 (42.5)	0.83	0.25 (35.4)	2.5 (400 V)
							72	0.36	1575	0.24 (34.0)	0.76	0.25 (35.4)	

* The specifications and wire connections of the round shaft motor are the same as those of the pinion shaft type. For the dimensional outline drawing, refer to page B-61.

Permissible torque at output shaft of gear head

* The speed shown below is a calculated value based on the synchronous rotational speed. Depending on the load, the speed is less than the indicated value by 2 % to 20 %.

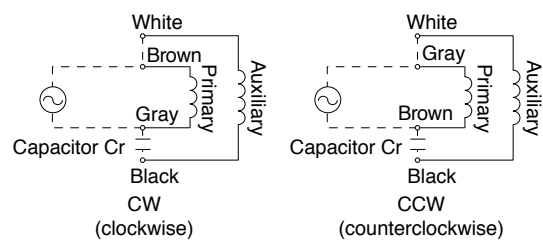
Unit of permissible torque: upper (N·m) / lower (lb-in)

Reduction ratio	Unit of permissible torque: upper (N·m) / lower (lb-in)																						
	3	3.6	5	6	7.5	9	10	12.5	15	18	20	25	30	36	50	60	75	90	100	120	150	180	
Speed (r/min)	50 Hz	500	416.7	300	250	200	166.7	150	120	100	83.3	75	60	50	41.7	30	25	20	16.7	15	12.5	10	8.3
	60 Hz	600	500	360	300	240	200	180	144	120	100	90	72	60	50	36	30	24	20	18	15	12	10
Applicable gear head	MX9G3B to MX9G180B (ball bearing)	50 Hz	0.66 (5.84)	0.78 (6.90)	1.08 (9.56)	1.27 (11.2)	1.57 (13.9)	1.86 (16.5)	2.25 (19.9)	2.74 (24.3)	3.23 (28.6)	3.92 (34.7)	4.41 (39.0)	5.29 (46.8)	6.37 (56.4)	7.94 (70.3)	9.80 (86.7)						
		60 Hz	0.55 (4.87)	0.66 (5.84)	0.90 (7.97)	1.08 (9.56)	1.27 (11.2)	1.57 (13.9)	1.76 (15.6)	2.25 (19.9)	2.74 (24.3)	3.23 (28.6)	3.53 (31.2)	4.41 (39.0)	5.29 (46.8)	6.37 (56.4)	8.82 (78.1)	9.80 (86.7)					
	MX9G3M to MX9G180M (metal bearing)	50 Hz	0.66 (5.84)	0.78 (6.90)	1.08 (9.56)	1.27 (11.2)	1.57 (13.9)	1.86 (16.5)	2.25 (19.9)	2.74 (24.3)	3.23 (28.6)	3.92 (34.7)	4.41 (39.0)	5.29 (46.8)	6.37 (56.4)	7.94 (70.3)	9.80 (86.7)						
	60 Hz	0.55 (4.87)	0.66 (5.84)	0.90 (7.97)	1.08 (9.56)	1.27 (11.2)	1.57 (13.9)	1.76 (15.6)	2.25 (19.9)	2.74 (24.3)	3.23 (28.6)	3.53 (31.2)	4.41 (39.0)	5.29 (46.8)	6.37 (56.4)	8.82 (78.1)	9.80 (86.7)						
Rotational direction	Same as motor rotational direction											Reverse to motor rotational direction											

Permissible torque at output shaft of gear head using decimal gear head

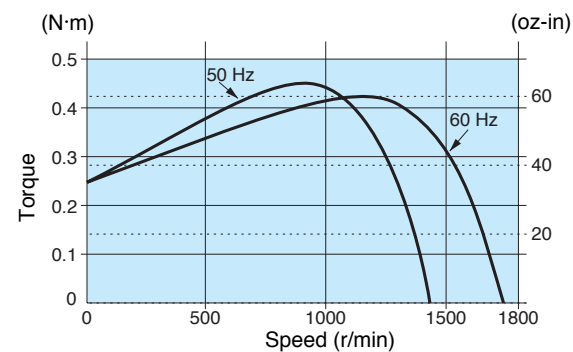
Applicable gear head		Reduction ratio	Reduction ratio													
Bearing	Decimal gear head		Speed (r/min)	50 Hz	7.5	6	5	4.2	3	2.5	2	1.7	1.5	1.3	1	0.8
MX9G□B (ball bearing)	MX9G10XB	Permissible torque	N-m (lb-in)	9.80 (86.7)	9.80 (86.7)	9.80 (86.7)	9.80 (86.7)	9.80 (86.7)	9.80 (86.7)	9.80 (86.7)	9.80 (86.7)	9.80 (86.7)	9.80 (86.7)	9.80 (86.7)	9.80 (86.7)	9.80 (86.7)
				Rotational direction	Same as motor rotational direction			Reverse to motor rotational direction								

Connection diagram



Speed-torque characteristics

M91X40G4L



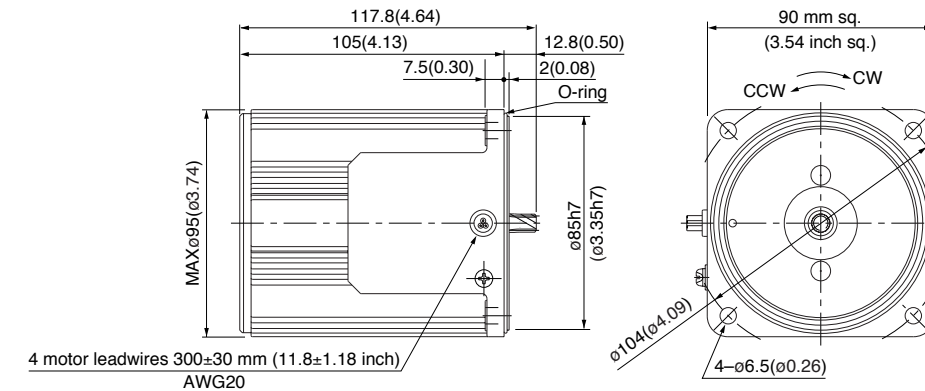
* Please read your User's manual carefully so that you will understand the operation and safety precautions before attempting to operate the system.

Motor (dimensions)

Scale: 1/3, Unit: mm (inch)

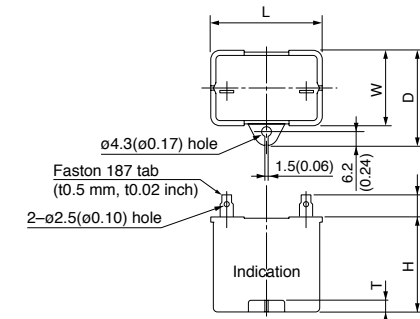
M91X40G4L	4P	40 W	100 V
M91X40G4Y	4P	40 W	200 V

Mass	Helical gear	Module	Number of teeth
2.4 kg 5.29 lb		0.55	9



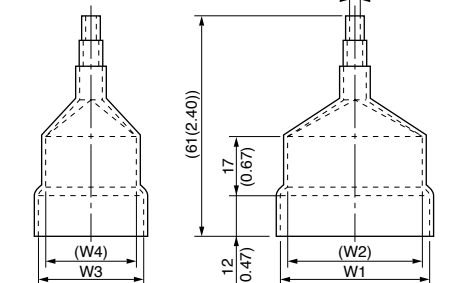
Capacitor (dimensions) [attachment]

Unit: mm (inch)



Capacitor cap (dimensions) [option]

Unit: mm (inch)



Capacitor dimension list Unit: upper (mm) / lower (inch)

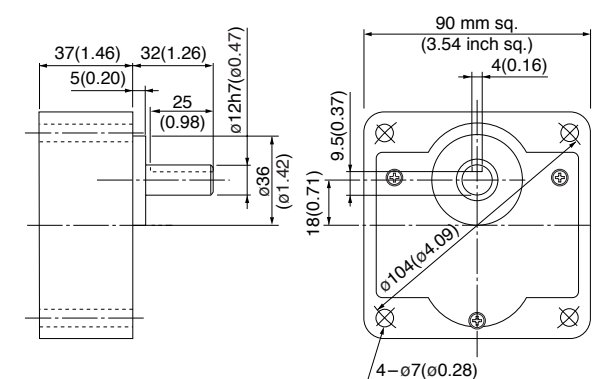
Model number of motor	Model number of capacitor (attachment)	L	W	D	H	T	Capacitor cap (option)	W1	W2	W3	W4
M91X40G4L	M0PC10M20	39.5 (1.56)	26.7 (1.05)	37 (1.46)	32 (1.26)	4 (0.16)	M0PC3926	39.5 (1.56)	37.5 (1.48)	26 (1.02)	25 (0.98)
M91X40G4Y	M0PC2.5M40	49.7 (1.96)	24 (0.94)	34.5 (1.36)	34.5 (1.36)	4 (0.16)	M0PC5026	50 (1.97)	48 (1.89)	26 (1.02)	22 (0.87)

Connection diagram

Gear head (dimensions)

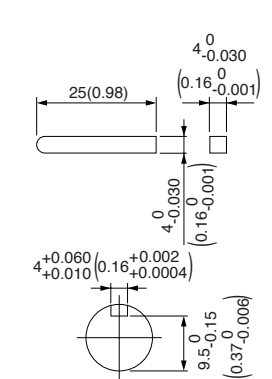
Scale: 1/3, Unit: mm (inch)

MX9G□B (ball bearing)	Mass 0.8 kg (1.76 lb)	MX9G□M (metal bearing)	Mass 0.8 kg (1.76 lb)
-----------------------	-----------------------	------------------------	-----------------------



Key and keyway (dimensions) [attachment]

MX9G□B(M)



(Note) Because the dimensions may be subject to change, also check the determinate dimensions if the gear head is to be used for design.

Specifications

Size	Motor model No.	Number of pole (P)	Output (W)	Voltage (V)	Frequency (Hz)	Rating (min)	Rating				Starting current (A)	Starting torque N·m (oz·in)	Capacitor (μF) (rated voltage)	
							Input (W)	Current (A)	Speed (r/min)	Torque N·m (oz·in)				
90 mm sq.	M91X40G4LG M91X40G4LGA	4	40	100	50	Cont.	76	0.83	1250	0.31 (43.9)	1.7	0.26 (36.8)	12 (250 V)	
							70	0.70	1600	0.24 (34.0)	1.5	0.26 (36.8)		
	M91X40G4DG M91X40G4DGA	4	40	110	60	Cont.	72	0.67	1625	0.24 (34.0)	1.7	0.26 (36.8)	10 (250 V)	
							74	0.68	1625	0.24 (34.0)	1.8	0.27 (38.2)		
	M91X40G4YG M91X40G4YGA	4	40	200	50	Cont.	77	0.39	1175	0.33 (46.7)	0.64	0.26 (36.8)	3 (450 V)	
							77	0.39	1525	0.25 (35.4)	0.62	0.26 (36.8)		
	M91X40G4GG M91X40G4GGA	4	40	220	50	Cont.	78	0.37	1250	0.31 (43.9)	0.69	0.26 (36.8)	2.5 (450 V)	
							74	0.34	1575	0.24 (34.0)	0.65	0.26 (36.8)		
					230	50	Cont.	79	0.37	1275	0.30 (42.5)	0.72	0.28 (39.6)	2.5 (450 V)
								77	0.33	1600	0.24 (34.0)	0.68	0.28 (39.6)	

• The specifications and wire connections of the round shaft motor are the same as those of the pinion shaft type. For the dimensional outline drawing, refer to page B-61.
 • The models with a motor model number to which "A" is suffixed are not equipped with a capacitor cap.
 • The models with a motor model number to which "A" is suffixed are not sold or available in Japan.

Permissible torque at output shaft of gear head

* The speed shown below is a calculated value based on the synchronous rotational speed. Depending on the load, the speed is less than the indicated value by 2% to 20%.

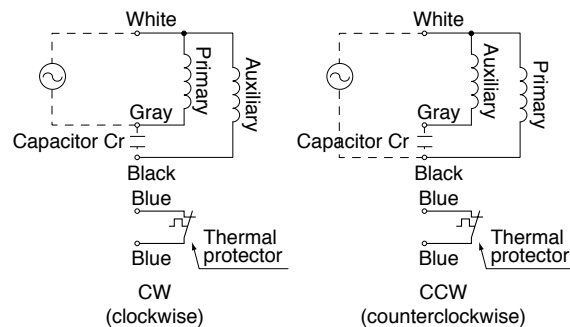
Unit of permissible torque: upper (N·m) / lower (lb·in)

Reduction ratio	Speed (r/min)																						
	3	3.6	5	6	7.5	9	10	12.5	15	18	20	25	30	36	50	60	75	90	100	120	150	180	
50 Hz	500	416.7	300	250	200	166.7	150	120	100	83.3	75	60	50	41.7	30	25	20	16.7	15	12.5	10	8.3	
60 Hz	600	500	360	300	240	200	180	144	120	100	90	72	60	50	36	30	24	20	18	15	12	10	
Applicable gear head	MX9G3B to MX9G180B (ball bearing)	50 Hz	0.66 (5.84)	0.78 (6.90)	1.08 (9.56)	1.27 (11.2)	1.57 (13.9)	1.86 (16.5)	2.25 (19.9)	2.74 (24.3)	3.23 (28.6)	3.92 (34.7)	4.41 (39.0)	5.29 (46.8)	6.37 (56.4)	7.94 (70.3)	9.80 (86.7)						
		60 Hz	0.55 (4.87)	0.66 (5.84)	0.90 (7.97)	1.08 (9.56)	1.27 (11.2)	1.57 (13.9)	1.76 (15.6)	2.25 (19.9)	2.74 (24.3)	3.23 (28.6)	3.53 (31.2)	4.41 (39.0)	5.29 (46.8)	6.37 (56.4)	8.82 (78.1)	9.80 (86.7)					
Rotational direction		Same as motor rotational direction												Reverse to motor rotational direction									

Permissible torque at output shaft of gear head using decimal gear head

Applicable gear head	Reduction ratio	Speed (r/min)															
		200	250	300	360	500	600	750	900	1000	1200	1500	1800				
Bearing	Decimal gear head	50 Hz	7.5	6	5	4.2	3	2.5	2	1.7	1.5	1.3	1	0.8			
		60 Hz	9	7.2	6	5	3.6	3	2.4	2	1.8	1.5	1.2	1			
MX9G□B (ball bearing) MX9G□M (metal bearing)	MX9G10XB	Permissible torque	N·m (lb·in)	9.80 (86.7)	9.80 (86.7)	9.80 (86.7)	9.80 (86.7)	9.80 (86.7)	9.80 (86.7)	9.80 (86.7)	9.80 (86.7)	9.80 (86.7)	9.80 (86.7)	9.80 (86.7)			
		Rotational direction		Same as motor rotational direction				Reverse to motor rotational direction									

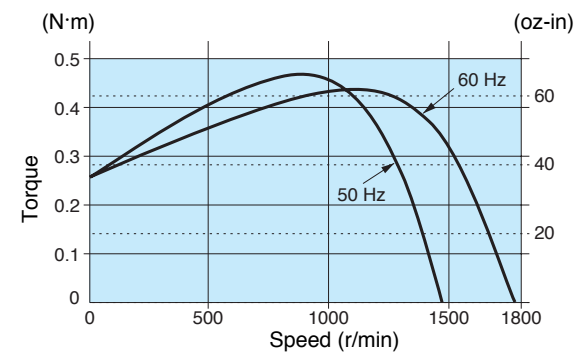
Connection diagram



(Refer to page A-58 for connection of thermal protector.)

Speed-torque characteristics

M91X40G4LG(A)

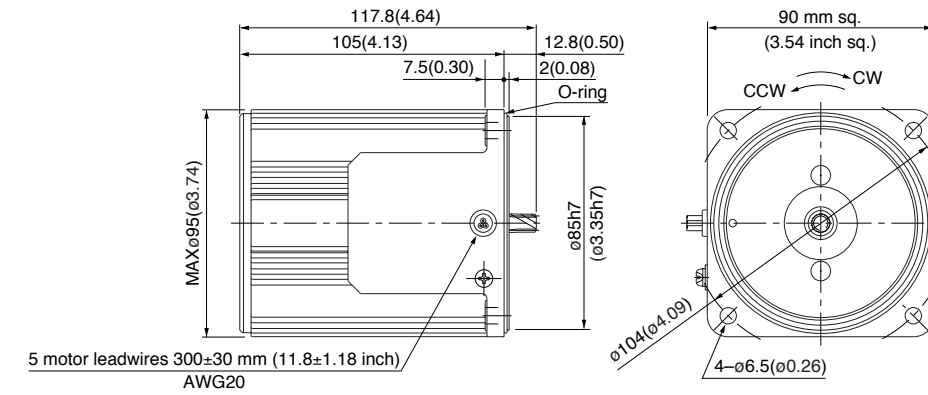


Motor (dimensions)

Scale: 1/3, Unit: mm (inch)

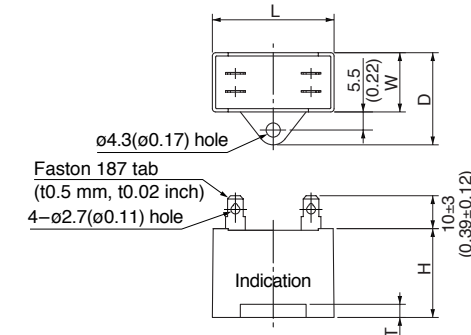
M91X40G4LG(A)	4P	40 W	100 V
M91X40G4DG(A)	4P	40 W	110 V / 115 V
M91X40G4YG(A)	4P	40 W	200 V
M91X40G4GG(A)	4P	40 W	220 V / 230 V

Mass	Helical gear	Module	Number of teeth
2.4 kg 5.29 lb		0.55	9



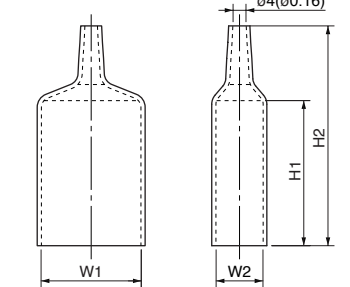
Capacitor (dimensions) [attachment]

Unit: mm (inch)



Capacitor cap (dimensions) [attachment]

Unit: mm (inch)



Capacitor dimension list

Unit: upper (mm) / lower (inch)

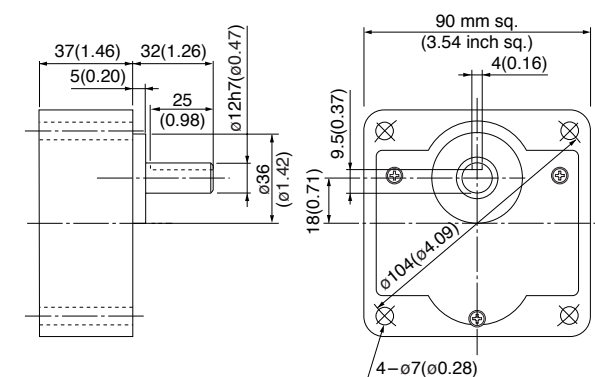
Model number of motor	Model number of capacitor (attachment)	L	W	D	H	T	Capacitor cap (attachment)	W1	W2	H1	H2
M91X40G4LG(A)	M0PC12M25G	58 (2.28)	22 (0.87)	32 (1.26)	35 (1.38)	4 (0.16)	M0PC5822G	58 (2.28)	22 (0.87)	55 (2.17)	78 (3.07)
M91X40G4DG(A)	M0PC10M25G	58 (2.28)	21 (0.83)	31 (1.22)	31 (1.22)	4 (0.16)	M0PC5821G	58 (2.28)	21 (0.83)	55 (2.17)	78 (3.07)
M91X40G4YG(A)	M0PC3M45G	58 (2.28)	21 (0.83)	31 (1.22)	31 (1.22)	4 (0.16)	M0PC4821G	48 (1.89)	21 (0.83)	55 (2.17)	78 (3.07)
M91X40G4GG(A)	M0PC2.5M45G	48 (1.89)	21 (0.83)	31 (1.22)	31 (1.22)	4 (0.16)	M0PC4821G	48 (1.89)	21 (0.83)	55 (2.17)	78 (3.07)

• The models with a motor model number to which "A" is suffixed are not equipped with a capacitor cap.

Gear head (dimensions)

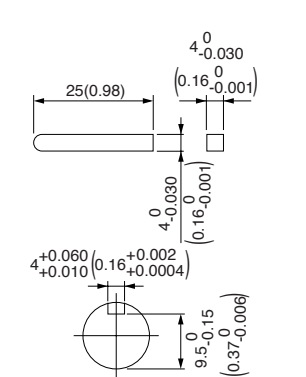
Scale: 1/3, Unit: mm (inch)

MX9G□B (ball bearing) Mass 0.8 kg (1.76 lb) MX9G□M (metal bearing) Mass 0.8 kg (1.76 lb)



Key and keyway (dimensions) [attachment]

MX9G□B(M)



* Please read your User's manual carefully so that you will understand the operation and safety precautions before attempting to operate the system.

(Note) Because the dimensions may be subject to change, also check the determinate dimensions if the gear head is to be used for design.

Specifications

Size	Motor model No.	Number of pole (P)	Output (W)	Voltage (V)	Frequency (Hz)	Rating (min)	Rating				Starting current (A)	Starting torque N-m (oz-in)	Capacitor (μF) (rated voltage)
							Input (W)	Current (A)	Speed (r/min)	Torque N-m (oz-in)			
90 mm sq.	M91Z60G4LG M91Z60G4LGA	4	60	100	50	Cont.	119	1.3	1250	0.46 (65.1)	2.4	0.44 (62.3)	20 (250 V)
							112	1.2	1575	0.36 (51.0)	2.3	0.44 (62.3)	18 (250 V)
	M91Z60G4DG M91Z60G4DGA	4	60	110	60	Cont.	120	1.1	1625	0.35 (49.6)	2.5	0.49 (69.4)	18 (250 V)
							127	1.2	1625	0.35 (49.6)	2.6	0.53 (75.1)	5 (450 V)
	M91Z60G4YG M91Z60G4YGA	4	60	200	50	Cont.	114	0.57	1225	0.47 (66.6)	1.0	0.44 (62.3)	5 (450 V)
							122	0.62	1550	0.37 (52.4)	1.0	0.44 (62.3)	4.5 (450 V)
	M91Z60G4GG M91Z60G4GGA	4	60	220	60	Cont.	121	0.58	1275	0.45 (63.7)	1.1	0.49 (69.4)	4.5 (450 V)
							120	0.55	1600	0.36 (51.0)	1.1	0.49 (69.4)	4.5 (450 V)
	M91Z60G4GGB M91Z60G4GGC	4	60	230	60	Cont.	129	0.61	1300	0.44 (62.3)	1.1	0.53 (75.0)	4.5 (450 V)
							126	0.55	1625	0.35 (49.6)	1.1	0.53 (75.1)	4.5 (450 V)
	M91Z60G4GGB M91Z60G4GGC	4	60	220	50	Cont.	106	0.48	1350	0.42 (4.3)	1.0	0.40 (4.0)	4.5 (450 V)
							123	0.59	1650	0.34 (3.5)	0.97	0.40 (4.0)	4.5 (450 V)
M91Z60G4GGB M91Z60G4GGC	4	60	230	50	Cont.	112	0.49	1375	0.42 (4.3)	1.1	0.43 (4.4)	4.5 (450 V)	
						128	0.59	1675	0.34 (3.5)	1.0	0.43 (4.4)	4.5 (450 V)	

The specifications and wire connections of the round shaft motor are the same as those of the pinion shaft type. For the dimensional outline drawing, refer to page B-62.
 The models with a motor model number to which "A" or "B" is suffixed are not equipped with a capacitor cap.
 The models with a motor model number to which "A" or "B" is suffixed are not sold or available in Japan.

Permissible torque at output shaft of gear head

The speed shown below is a calculated value based on the synchronous rotational speed. Depending on the load, the speed is less than the indicated value by 2% to 20%.

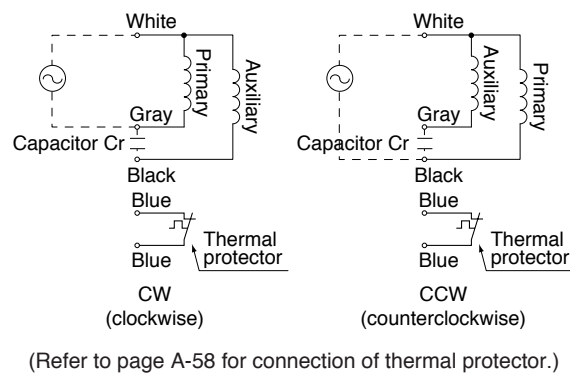
Unit of permissible torque: upper (N-m) / lower (lb-in)

Reduction ratio	Unit of permissible torque: upper (N-m) / lower (lb-in)																							
	3	3.6	5	6	7.5	9	10	12.5	15	18	20	25	30	36	50	60	75	90	100	120	150	180	200	
Speed (r/min)	[Data omitted for brevity]																							
Applicable gear head	MZ9G3B to MZ9G200B (ball bearing / hinge not attached)												MY9G3B to MY9G200B (ball bearing / hinge attached)											
Rotational direction	Same as motor rotational direction												Reverse to motor rotational direction											

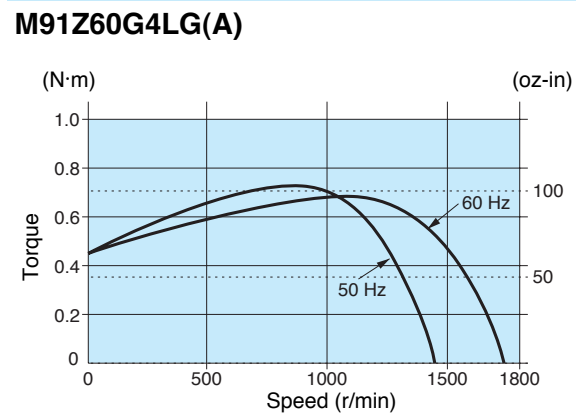
Permissible torque at output shaft of gear head using decimal gear head

Applicable gear head		Reduction ratio	Reduction ratio													
Bearing	Decimal gear head		Speed (r/min)	50 Hz	60 Hz	6	5	4.2	3	2.5	2	1.7	1.5	1.3	1	0.8
MZ9G□B (ball bearing / hinge not attached)	MZ9G10XB	Permissible torque	N-m (lb-in)	19.6 (173)	19.6 (173)	19.6 (173)	19.6 (173)	19.6 (173)	19.6 (173)	19.6 (173)	19.6 (173)	19.6 (173)	19.6 (173)	19.6 (173)	19.6 (173)	19.6 (173)
MY9G□B (ball bearing / hinge attached)				Rotational direction	Reverse to motor rotational direction	Same as motor rotational direction										

Connection diagram



Speed-torque characteristics

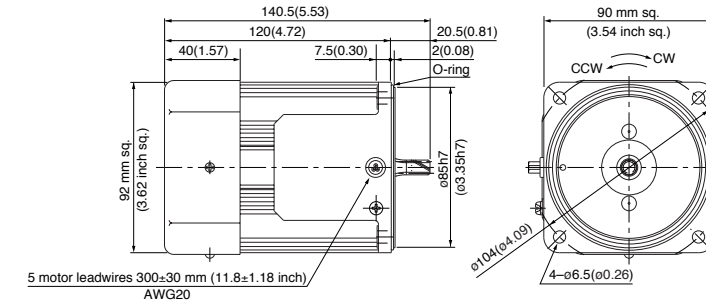


Motor (dimensions)

Scale: 1/4, Unit: mm (inch)

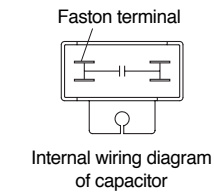
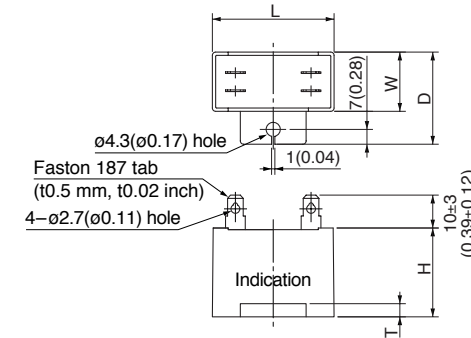
M91Z60G4LG(A)	4P 60 W 100 V (with fan)
M91Z60G4DG(A)	4P 60 W 110 V / 115 V (with fan)
M91Z60G4YG(A)	4P 60 W 200 V (with fan)
M91Z60G4GG(A)	4P 60 W 220 V / 230 V (with fan)
M91Z60G4GGB	4P 60 W 220 V / 230 V (with fan)
M91Z60G4GGC	4P 60 W 220 V / 230 V (with fan)

Mass	Helical gear	Module	Number of teeth
2.7 kg 5.95 lb		0.6	9



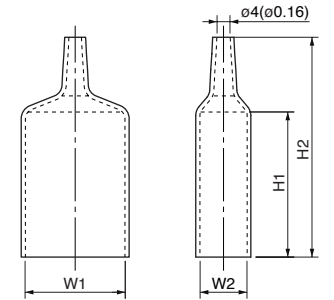
Capacitor (dimensions) [attachment]

Unit: mm (inch)



Capacitor cap (dimensions) [attachment]

Unit: mm (inch)



Capacitor dimension list

Unit: upper (mm) / lower (inch)

Model number of motor	Model number of capacitor (attachment)	L	W	D	H	T	Capacitor cap (attachment)	W1	W2	H1	H2
M91Z60G4LG(A)	M0PC20M25G	58 (2.28)	29 (1.14)	44 (1.73)	41 (1.61)	4 (0.16)	M0PC5829G	58 (2.28)	29 (1.14)	55 (2.17)	78 (3.07)
M91Z60G4DG(A)	M0PC18M25G	58 (2.28)	29 (1.14)	44 (1.73)	41 (1.61)	4 (0.16)	M0PC5829G	58 (2.28)	29 (1.14)	55 (2.17)	78 (3.07)
M91Z60G4YG(A)	M0PC5M45G	58 (2.28)	29 (1.14)	44 (1.73)	41 (1.61)	4 (0.16)	M0PC5829G	58 (2.28)	29 (1.14)	55 (2.17)	78 (3.07)
M91Z60G4GG(A)	M0PC4.5M45G	58 (2.28)	23.5 (0.93)	38.5 (1.52)	37 (1.46)	4 (0.16)	M0PC5823G	58 (2.28)	23.5 (0.93)	55 (2.17)	78 (3.07)
M91Z60G4GGB											
M91Z60G4GGC											

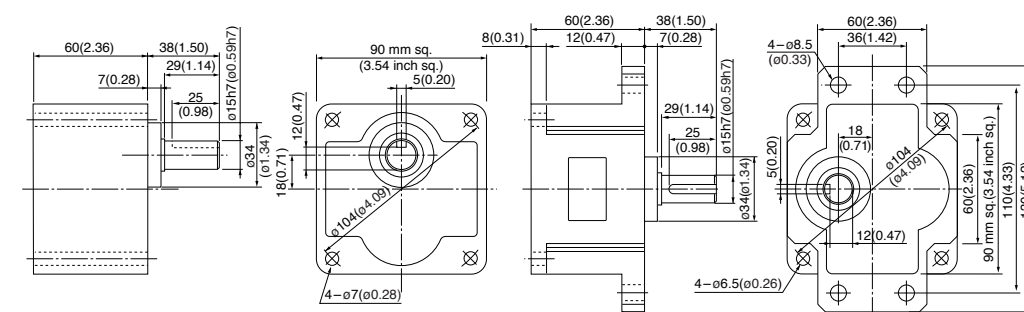
The models with a motor model number to which "A" or "B" is suffixed are not equipped with a capacitor cap.

Gear head (dimensions)

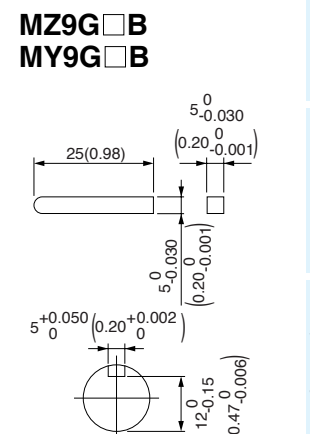
Scale: 1/4, Unit: mm (inch)

MZ9G□B (ball bearing / hinge not attached)
Mass 1.4 kg (3.09 lb)

MY9G□B (ball bearing / hinge attached)
Mass 1.4 kg (3.09 lb)



Key and keyway (dimensions) [attachment]



Note) MZ / MY is available for a gear head of either type.

(Note) Because the dimensions may be subject to change, also check the determinate dimensions if the gear head is to be used for design.

Specifications

Size	Motor model No.	Number of pole (P)	Output (W)	Voltage (V)	Frequency (Hz)	Rating (min)	Rating				Starting current (A)	Starting torque N-m (oz-in)	Capacitor (μF) (rated voltage)
							Input (W)	Current (A)	Speed (r/min)	Torque N-m (oz-in)			
90 mm sq.	M91Z90G4L	4	90	100	50	Cont.	153	1.6	1325	0.65 (92.0)	3.3	0.47 (66.6)	25 (200 V)
							160	1.6	1625	0.53 (75.1)	3.0	0.47 (66.6)	
	M91Z90G4Y	4	90	200	50	Cont.	150	0.75	1325	0.62 (87.8)	1.7	0.47 (66.6)	5.8 (400 V)
							160	0.80	1650	0.51 (72.2)	1.5	0.47 (66.6)	

* The specifications and wire connections of the round shaft motor are the same as those of the pinion shaft type. For the dimensional outline drawing, refer to page B-62.

Permissible torque at output shaft of gear head

* The speed shown below is a calculated value based on the synchronous rotational speed. Depending on the load, the speed is less than the indicated value by 2 % to 20 %.

Unit of permissible torque: upper (N·m) / lower (lb-in)

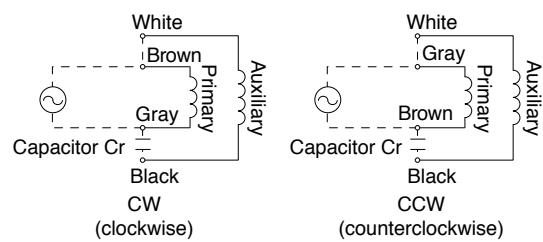
Reduction ratio	Speed (r/min)																								
	50 Hz	60 Hz	3	3.6	5	6	7.5	9	10	12.5	15	18	20	25	30	36	50	60	75	90	100	120	150	180	200
50 Hz	1.37 (12.1)	1.67 (14.8)	2.25 (19.9)	2.74 (24.3)	3.43 (30.4)	4.12 (36.5)	4.51 (39.9)	5.68 (50.3)	6.76 (59.8)	8.04 (71.2)	9.02 (79.8)	10.9 (96.5)	13.0 (115)	15.7 (139)	19.6 (173)										
60 Hz	1.18 (10.4)	1.37 (12.1)	1.86 (16.5)	2.25 (19.9)	2.84 (25.1)	3.43 (30.4)	3.72 (32.9)	4.70 (41.6)	5.68 (50.3)	6.76 (59.8)	7.55 (66.8)	9.21 (81.5)	10.9 (96.5)	13.0 (115)	18.3 (162)										

Rotational direction: Same as motor rotational direction / Reverse to motor rotational direction / Same as motor rotational direction

Permissible torque at output shaft of gear head using decimal gear head

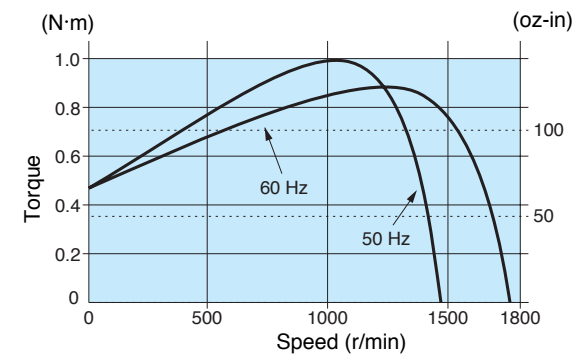
Applicable gear head	Reduction ratio	Speed (r/min)															
		50 Hz	60 Hz	250	300	360	500	600	750	900	1000	1200	1500	1800			
Bearing	Decimal gear head	Speed (r/min)	50 Hz	60 Hz	6	5	4.2	3	2.5	2	1.7	1.5	1.3	1	0.8		
MZ9G□B (ball bearing / hinge not attached)	MZ9G10XB	Permissible torque	N-m (lb-in)	19.6 (173)	19.6 (173)	19.6 (173)	19.6 (173)	19.6 (173)	19.6 (173)	19.6 (173)	19.6 (173)	19.6 (173)	19.6 (173)	19.6 (173)	19.6 (173)		
MY9G□B (ball bearing / hinge attached)			Rotational direction	Reverse to motor rotational direction	Same as motor rotational direction												

Connection diagram



Speed-torque characteristics

M91Z90G4L

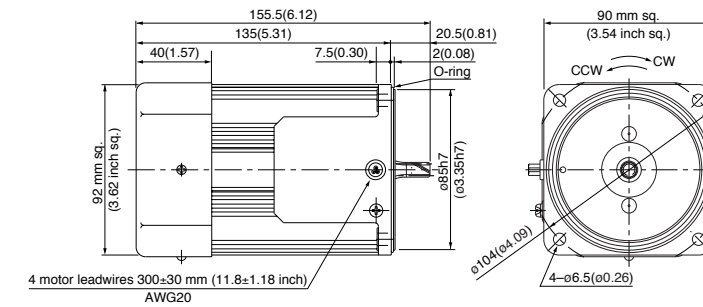


Motor (dimensions)

Scale: 1/4, Unit: mm (inch)

M91Z90G4L 4P 90 W 100 V (with fan)
M91Z90G4Y 4P 90 W 200 V (with fan)

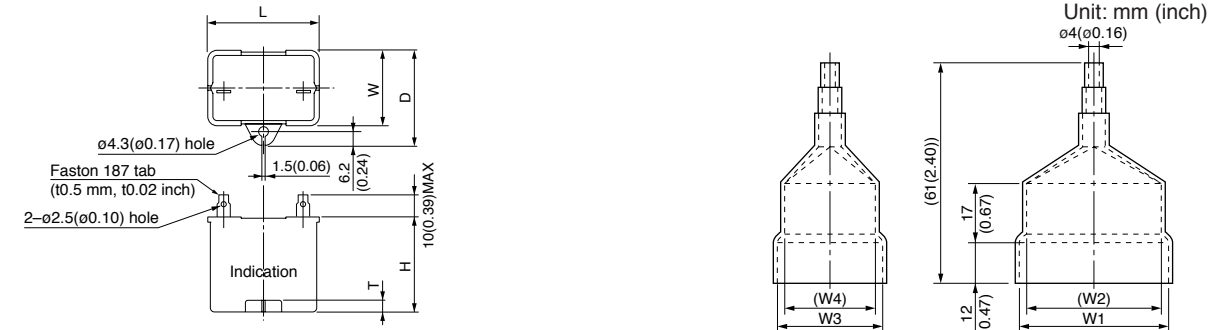
Mass 3.2 kg (7.05 lb)
Helical gear
Module 0.6
Number of teeth 9



Capacitor (dimensions) [attachment]

Unit: mm (inch)

Capacitor cap (dimensions) [option]



Capacitor dimension list Unit: upper (mm) / lower (inch)

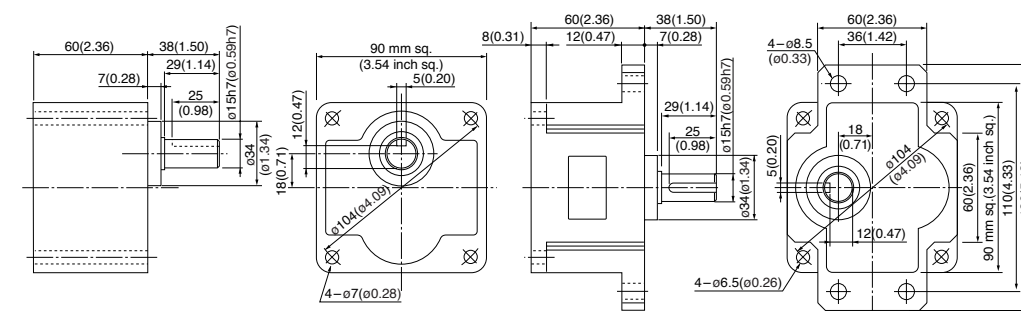
Model number of motor	Model number of capacitor (attachment)	L	W	D	H	T	Capacitor cap (option)	W1	W2	W3	W4
M91Z90G4L	M0PC25M20	50.2 (1.98)	31 (1.22)	41 (1.61)	42 (1.65)	5 (0.20)	M0PC5032	50 (1.97)	48 (1.89)	32.5 (1.28)	29.5 (1.16)
M91Z90G4Y	M0PC5.8M40	50 (1.97)	30.5 (1.20)	41 (1.61)	41.5 (1.63)	4 (0.16)	M0PC5032	50 (1.97)	48 (1.89)	32.5 (1.28)	29.5 (1.16)

Gear head (dimensions)

Scale: 1/4, Unit: mm (inch)

MZ9G□B (ball bearing / hinge not attached)
Mass 1.4 kg (3.09 lb)

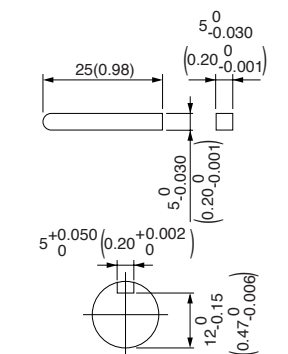
MY9G□B (ball bearing / hinge attached)
Mass 1.4 kg (3.09 lb)



Note) MZ / MY is available for a gear head of either type.

Key and keyway (dimensions) [attachment]

MZ9G□B
MY9G□B



Specifications

Size	Motor model No.	Number of pole (P)	Output (W)	Voltage (V)	Frequency (Hz)	Rating (min)	Rating				Starting current (A)	Starting torque N-m (oz-in)	Capacitor (μF) (rated voltage)
							Input (W)	Current (A)	Speed (r/min)	Torque N-m (oz-in)			
80 mm sq.	M81X25GK4L	4	25	100	50	Cont.	51	0.55	1250	0.19 (26.9)	0.98	0.16 (22.7)	6 (200 V)
					60		49	0.48	1550	0.15 (21.2)	0.94	0.16 (22.7)	
	M81X25GK4Y	4	25	200	50	Cont.	51	0.27	1250	0.19 (26.9)	0.50	0.16 (22.7)	1.5 (400 V)
					60		49	0.24	1575	0.15 (21.2)	0.47	0.16 (22.7)	

* The specifications and wire connections of the round shaft motor are the same as those of the pinion shaft type. For the dimensional outline drawing, refer to page B-62.

Permissible torque at output shaft of gear head

* The speed shown below is a calculated value based on the synchronous rotational speed. Depending on the load, the speed is less than the indicated value by 2 % to 20 %.

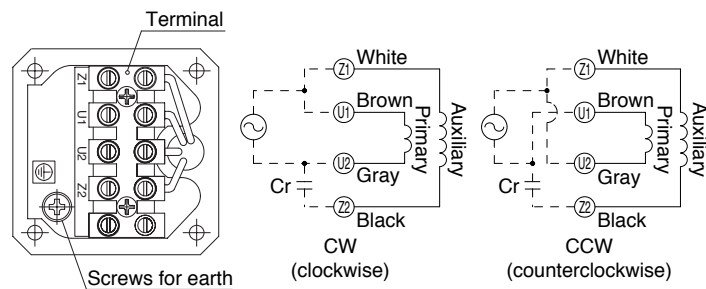
Unit of permissible torque: upper (N·m) / lower (lb·in)

Reduction ratio	Unit of permissible torque: upper (N·m) / lower (lb·in)																							
	3	3.6	5	6	7.5	9	10	12.5	15	18	20	25	30	36	50	60	75	90	100	120	150	180		
Speed (r/min)	50 Hz	500	416.7	300	250	200	166.7	150	120	100	83.3	75	60	50	41.7	30	25	20	16.7	15	12.5	10	8.3	
	60 Hz	600	500	360	300	240	200	180	144	120	100	90	72	60	50	36	30	24	20	18	15	12	10	
Applicable gear head	MX8G3B to MX8G180B (ball bearing)	50 Hz	0.39 (3.45)	0.47 (4.16)	0.66 (5.84)	0.78 (6.90)	0.98 (8.67)	1.18 (10.4)	1.27 (11.2)	1.57 (13.9)	1.96 (17.3)	2.35 (20.8)	2.55 (22.6)	3.14 (27.8)	3.82 (33.8)	4.61 (40.8)	6.37 (56.4)	7.64 (67.6)						7.84 (69.4)
		60 Hz	0.32 (2.83)	0.39 (3.45)	0.55 (4.87)	0.66 (5.84)	0.81 (7.17)	0.98 (8.67)	1.08 (9.56)	1.27 (11.2)	1.57 (13.9)	1.96 (17.3)	2.06 (18.2)	2.65 (23.5)	3.14 (27.8)	3.82 (33.8)	5.29 (46.8)	6.37 (56.4)						7.84 (69.4)
Rotational direction		Same as motor rotational direction											Reverse to motor rotational direction											

Permissible torque at output shaft of gear head using decimal gear head

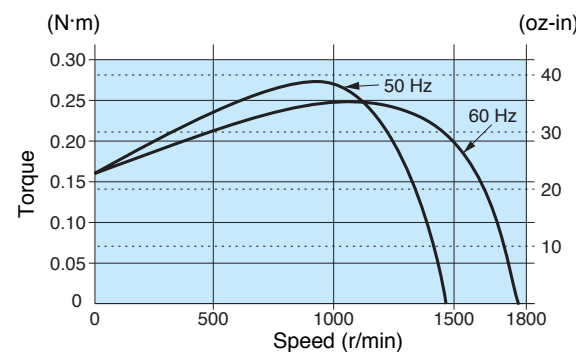
Applicable gear head		Reduction ratio	Reduction ratio																						
Bearing	Decimal gear head		Speed (r/min)	200	250	300	360	500	600	750	900	1000	1200	1500	1800										
MX8G□B (ball bearing) MX8G□M (metal bearing)	MX8G10XB	50 Hz	7.5	6	5	4.2	3	2.5	2	1.7	1.5	1.3	1	0.8											
		60 Hz	9	7.2	6	5	3.6	3	2.4	2	1.8	1.5	1.2	1											
		Permissible torque	N-m (lb-in)	7.84 (69.4)	7.84 (69.4)	7.84 (69.4)	7.84 (69.4)	7.84 (69.4)	7.84 (69.4)	7.84 (69.4)	7.84 (69.4)	7.84 (69.4)	7.84 (69.4)	7.84 (69.4)											
		Rotational direction		Same as motor rotational direction											Reverse to motor rotational direction										

Connection diagram



Speed-torque characteristics

M81X25GK4L



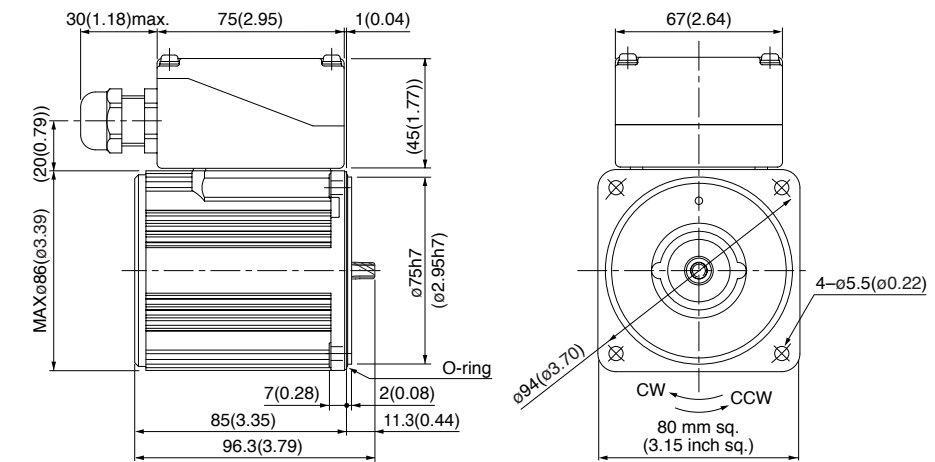
* Please read your User's manual carefully so that you will understand the operation and safety precautions before attempting to operate the system.

Motor (dimensions)

Scale: 1/3, Unit: mm (inch)

M81X25GK4L	4P 25 W 100 V
M81X25GK4Y	4P 25 W 200 V

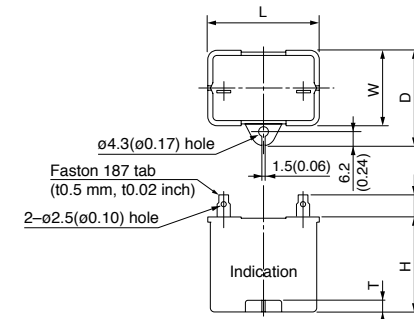
Mass	Helical gear	Module	Number of teeth
1.8 kg 3.97 lb		0.5	9



* Diameter of applicable cable to be ø8(ø0.31) to ø12(ø0.47).

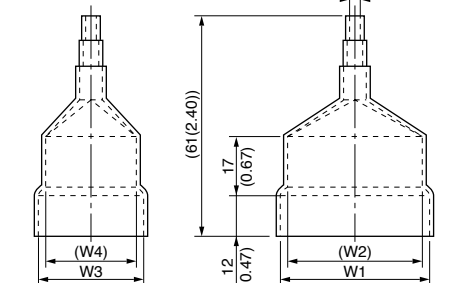
Capacitor (dimensions) [attachment]

Unit: mm (inch)



Capacitor cap (dimensions) [option]

Unit: mm (inch)



Capacitor dimension list

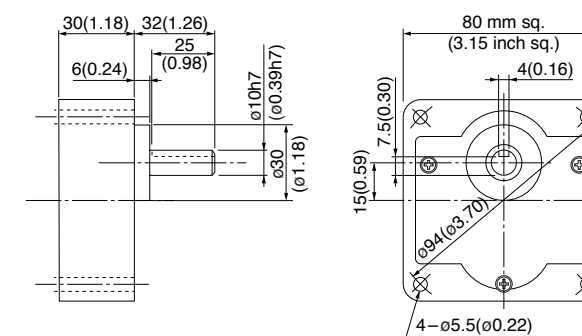
Unit: upper (mm) / lower (inch)

Model number of motor	Model number of capacitor (attachment)	L	W	D	H	T	Capacitor cap (option)	W1	W2	W3	W4
M81X25GK4L	M0PC6M20	39.5 (1.56)	17.5 (0.69)	28 (1.10)	30.5 (1.20)	4 (0.16)	M0PC3917	39.5 (1.56)	37.5 (1.48)	17 (0.67)	15 (0.59)
M81X25GK4Y	M0PC1.5M40	39.5 (1.56)	22 (0.87)	32.5 (1.28)	32.5 (1.28)	4 (0.16)	M0PC3922	39.5 (1.56)	37.5 (1.48)	22 (0.87)	20 (0.79)

Gear head (dimensions)

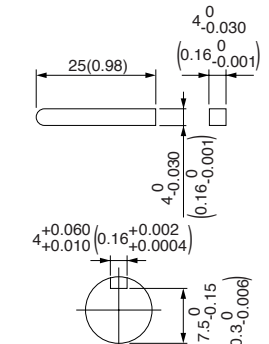
Scale: 1/3, Unit: mm (inch)

MX8G□B (ball bearing) Mass 0.6 kg (1.32 lb)	MX8G□M (metal bearing) Mass 0.6 kg (1.32 lb)
---	--



Key and keyway (dimensions) [attachment]

MX8G□B(M)



(Note) Because the dimensions may be subject to change, also check the determinate dimensions if the gear head is to be used for design.

Specifications

Size	Motor model No.	Number of pole (P)	Output (W)	Voltage (V)	Frequency (Hz)	Rating (min)	Rating				Starting current (A)	Starting torque N-m (oz-in)	Capacitor (μF) (rated voltage)
							Input (W)	Current (A)	Speed (r/min)	Torque N-m (oz-in)			
80 mm sq.	M81X25GK4LG M81X25GK4LGA	4	25	100	50	Cont.	55	0.59	1250	0.19 (26.9)	1.1	0.16 (22.7)	8 (250 V)
					60		50	0.50	1575	0.15 (21.2)	1.0	0.16 (22.7)	
	M81X25GK4DG M81X25GK4DGA	4	25	110	60	Cont.	52	0.50	1575	0.15 (21.2)	1.1	0.14 (19.8)	6 (250 V)
					60		53	0.50	1600	0.15 (21.2)	1.1	0.15 (21.2)	
	M81X25GK4YG M81X25GK4YGA	4	25	200	50	Cont.	54	0.27	1200	0.20 (28.3)	0.43	0.16 (22.7)	2.1 (450 V)
					60		54	0.27	1550	0.15 (21.2)	0.42	0.16 (22.7)	
	M81X25GK4GG M81X25GK4GGA	4	25	220	50	Cont.	59	0.29	1200	0.20 (28.3)	0.46	0.15 (21.2)	1.5 (450 V)
					60		51	0.23	1550	0.15 (21.2)	0.44	0.15 (21.2)	
					230	Cont.	59	0.28	1250	0.19 (26.9)	0.48	0.16 (22.7)	
							60	52	0.23	1575	0.15 (21.2)	0.45	

The specifications and wire connections of the round shaft motor are the same as those of the pinion shaft type. For the dimensional outline drawing, refer to page B-62.

The models with a motor model number to which "A" is suffixed are not equipped with a capacitor cap. The models with a motor model number to which "A" is suffixed are not sold or available in Japan.

Permissible torque at output shaft of gear head

* The speed shown below is a calculated value based on the synchronous rotational speed. Depending on the load, the speed is less than the indicated value by 2% to 20%.

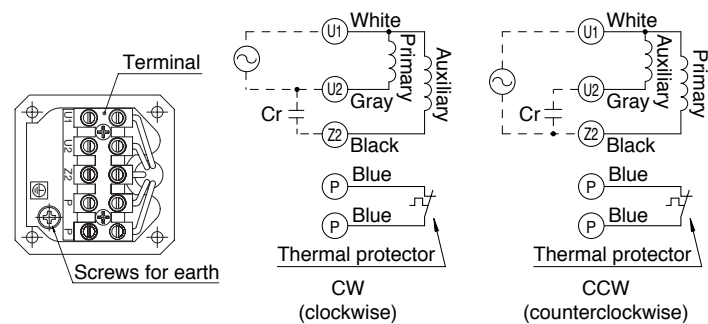
Unit of permissible torque: upper (N·m) / lower (lb·in)

Reduction ratio	Speed (r/min)																								
	50 Hz	60 Hz	500	416.7	300	250	200	166.7	150	120	100	83.3	75	60	50	41.7	30	25	20	16.7	15	12.5	10	8.3	
Applicable gear head	50 Hz	MX8G3B to MX8G180B (ball bearing)	0.39 (3.45)	0.47 (4.16)	0.66 (5.84)	0.78 (6.90)	0.98 (8.67)	1.18 (10.4)	1.27 (11.2)	1.57 (13.9)	1.96 (17.3)	2.35 (20.8)	2.55 (22.6)	3.14 (27.8)	3.82 (33.8)	4.61 (40.8)	6.37 (56.4)	7.64 (67.6)							7.84 (69.4)
		60 Hz	MX8G3M to MX8G180M (metal bearing)	0.32 (2.83)	0.39 (3.45)	0.55 (4.87)	0.66 (5.84)	0.81 (7.17)	0.98 (8.67)	1.08 (9.56)	1.27 (11.2)	1.57 (13.9)	1.96 (17.3)	2.06 (18.2)	2.65 (23.5)	3.14 (27.8)	3.82 (33.8)	5.29 (46.8)	6.37 (56.4)						
Rotational direction		Same as motor rotational direction											Reverse to motor rotational direction												

Permissible torque at output shaft of gear head using decimal gear head

Applicable gear head		Reduction ratio	Speed (r/min)															
Bearing	Decimal gear head		50 Hz	7.5	6	5	4.2	3	2.5	2	1.7	1.5	1.3	1	0.8			
MX8G□B (ball bearing) MX8G□M (metal bearing)	MX8G10XB	Permissible torque	N·m (lb-in)	7.84 (69.4)	7.84 (69.4)	7.84 (69.4)	7.84 (69.4)	7.84 (69.4)	7.84 (69.4)	7.84 (69.4)	7.84 (69.4)	7.84 (69.4)	7.84 (69.4)	7.84 (69.4)	7.84 (69.4)	7.84 (69.4)	7.84 (69.4)	
		Rotational direction	Same as motor rotational direction	Reverse to motor rotational direction														

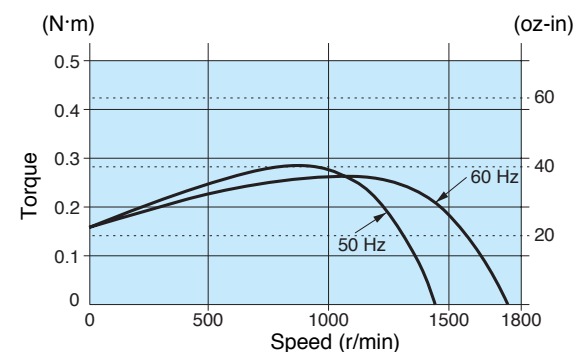
Connection diagram



(Refer to page A-58 for connection of thermal protector.)

Speed-torque characteristics

M81X25GK4LG(A)

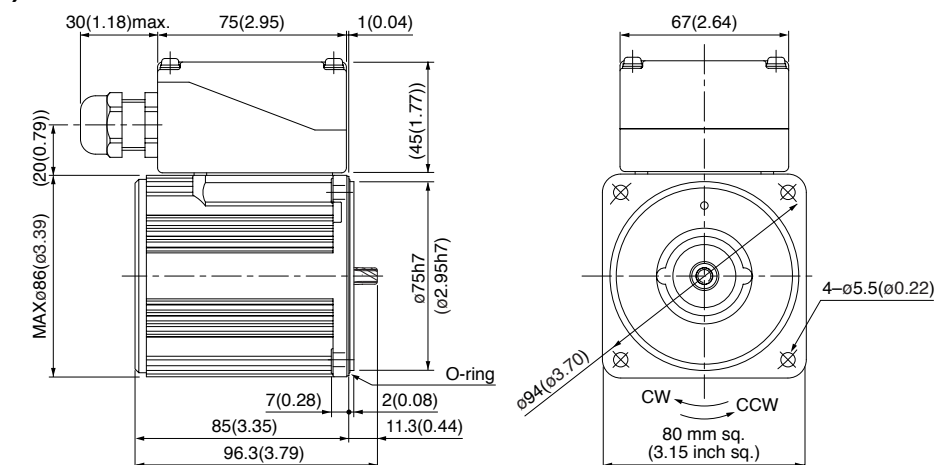


Motor (dimensions)

Scale: 1/3, Unit: mm (inch)

M81X25GK4LG(A)	4P	25 W	100 V
M81X25GK4DG(A)	4P	25 W	110 V / 115 V
M81X25GK4YG(A)	4P	25 W	200 V
M81X25GK4GG(A)	4P	25 W	220 V / 230 V

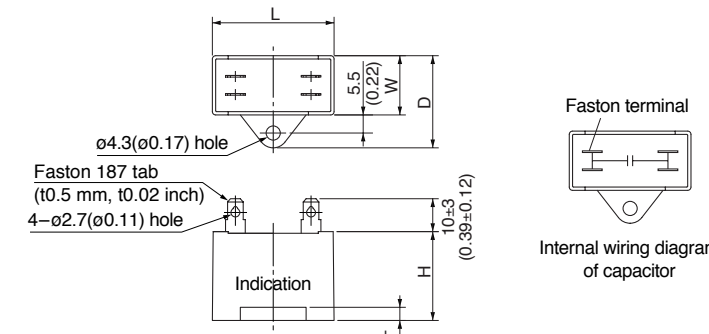
Mass	Helical gear	Module	Number of teeth
1.8 kg 3.97 lb		0.5	9



* Diameter of applicable cable to be ø8(ø0.31) to ø12(ø0.47).

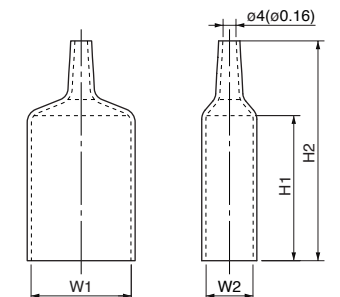
Capacitor (dimensions) [attachment]

Unit: mm (inch)



Capacitor cap (dimensions) [attachment]

Unit: mm (inch)



Capacitor dimension list

Unit: upper (mm) / lower (inch)

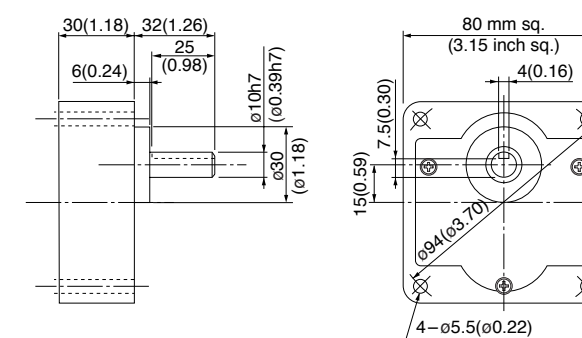
Model number of motor	Model number of capacitor (attachment)	L	W	D	H	T	Capacitor cap (attachment)	W1	W2	H1	H2
M81X25GK4LG(A)	M0PC8M25G	48 (1.89)	21 (0.83)	31 (1.22)	31 (1.22)	4 (0.16)	M0PC4821G	48 (1.89)	21 (0.83)	55 (2.17)	78 (3.07)
M81X25GK4DG(A)	M0PC6M25G	38 (1.50)	21 (0.83)	31 (1.22)	31 (1.22)	4 (0.16)	M0PC3821G	38 (1.50)	21 (0.83)	55 (2.17)	78 (3.07)
M81X25GK4YG(A)	M0PC2.1M45G	48 (1.89)	21 (0.83)	31 (1.22)	31 (1.22)	4 (0.16)	M0PC4821G	48 (1.89)	21 (0.83)	55 (2.17)	78 (3.07)
M81X25GK4GG(A)	M0PC1.5M45G	38 (1.50)	21 (0.83)	31 (1.22)	31 (1.22)	4 (0.16)	M0PC3821G	38 (1.50)	21 (0.83)	55 (2.17)	78 (3.07)

* The models with a motor model number to which "A" is suffixed are not equipped with a capacitor cap.

Gear head (dimensions)

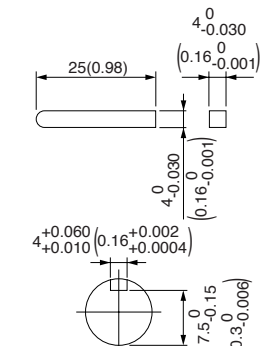
Scale: 1/3, Unit: mm (inch)

MX8G□B (ball bearing) Mass 0.6 kg (1.32 lb) MX8G□M (metal bearing) Mass 0.6 kg (1.32 lb)



Key and keyway (dimensions) [attachment]

MX8G□B(M)



* Please read your User's manual carefully so that you will understand the operation and safety precautions before attempting to operate the system.

(Note) Because the dimensions may be subject to change, also check the determinate dimensions if the gear head is to be used for design.

Specifications

Size	Motor model No.	Number of pole (P)	Output (W)	Voltage (V)	Frequency (Hz)	Rating (min)	Rating				Starting current (A)	Starting torque N-m (oz-in)	Capacitor (μF) (rated voltage)
							Input (W)	Current (A)	Speed (r/min)	Torque N-m (oz-in)			
90 mm sq.	M91X40GK4L	4	40	100	50	Cont.	78	0.86	1225	0.30 (42.5)	1.5	0.24 (34.0)	10 (200 V)
					60		72	0.72	1550	0.25 (35.4)	1.5	0.25 (35.4)	
	M91X40GK4Y	4	40	200	50	Cont.	79	0.43	1250	0.30 (42.5)	0.83	0.25 (35.4)	2.5 (400 V)
					60		72	0.36	1575	0.24 (34.0)	0.76	0.25 (35.4)	

* The specifications and wire connections of the round shaft motor are the same as those of the pinion shaft type. For the dimensional outline drawing, refer to page B-62.

Permissible torque at output shaft of gear head

* The speed shown below is a calculated value based on the synchronous rotational speed. Depending on the load, the speed is less than the indicated value by 2 % to 20 %.

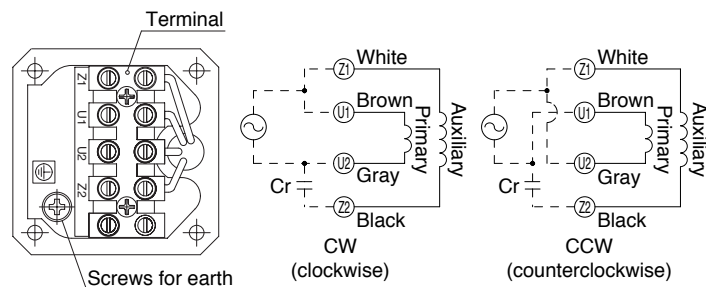
Unit of permissible torque: upper (N-m) / lower (lb-in)

Reduction ratio	Speed (r/min)																							
	50 Hz	60 Hz	3	3.6	5	6	7.5	9	10	12.5	15	18	20	25	30	36	50	60	75	90	100	120	150	180
Applicable gear head	MX9G3B to MX9G180B (ball bearing)												MX9G3M to MX9G180M (metal bearing)											
Rotational direction	Same as motor rotational direction												Reverse to motor rotational direction											

Permissible torque at output shaft of gear head using decimal gear head

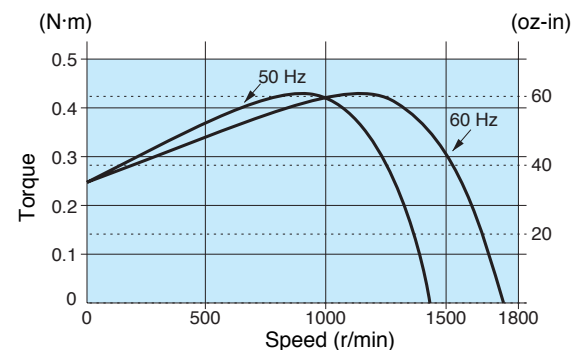
Applicable gear head	Reduction ratio	Speed (r/min)													
		50 Hz	60 Hz	7.5	6	5	4.2	3	2.5	2	1.7	1.5	1.3	1	0.8
Bearing	Decimal gear head	Speed (r/min)	N-m (lb-in)	9.80 (86.7)	9.80 (86.7)	9.80 (86.7)	9.80 (86.7)	9.80 (86.7)	9.80 (86.7)	9.80 (86.7)	9.80 (86.7)	9.80 (86.7)	9.80 (86.7)	9.80 (86.7)	9.80 (86.7)
MX9G□B (ball bearing)	MX9G10XB	Permissible torque	N-m (lb-in)	Same as motor rotational direction											
MX9G□M (metal bearing)				Reverse to motor rotational direction											

Connection diagram



Speed-torque characteristics

M91X40GK4L



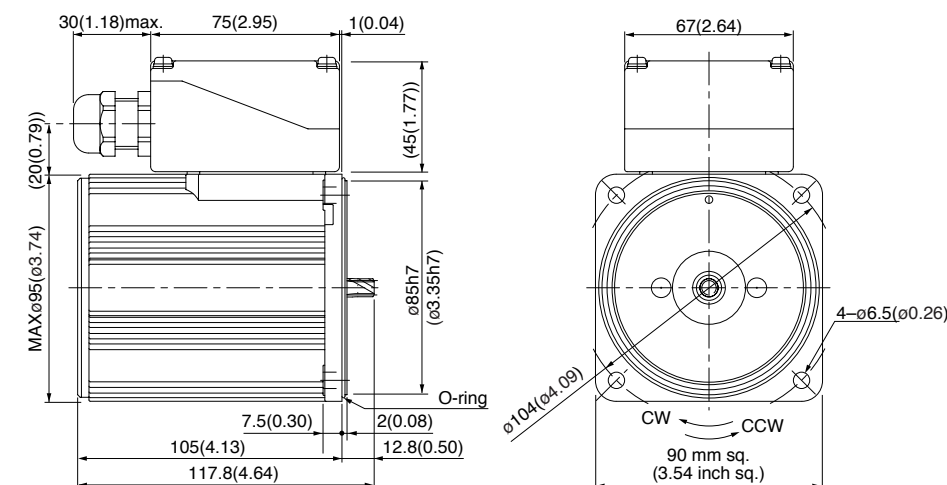
* Please read your User's manual carefully so that you will understand the operation and safety precautions before attempting to operate the system.

Motor (dimensions)

Scale: 1/3, Unit: mm (inch)

M91X40GK4L	4P 40 W 100 V
M91X40GK4Y	4P 40 W 200 V

Mass	Helical gear	Module	Number of teeth
2.8 kg 6.17 lb		0.55	9



* Diameter of applicable cable to be ø8(ø0.31) to ø12(ø0.47).

Capacitor (dimensions) [attachment]

Unit: mm (inch)

Capacitor cap (dimensions) [option]

Unit: mm (inch)

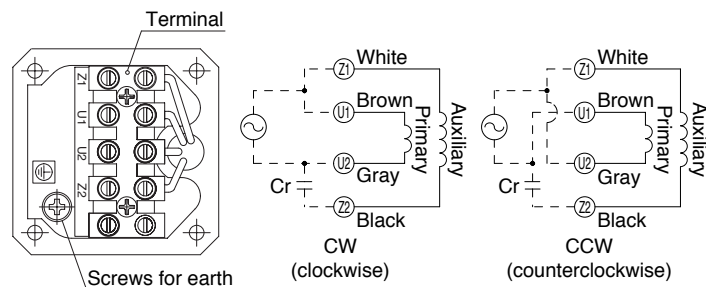


Capacitor dimension list

Unit: upper (mm) / lower (inch)

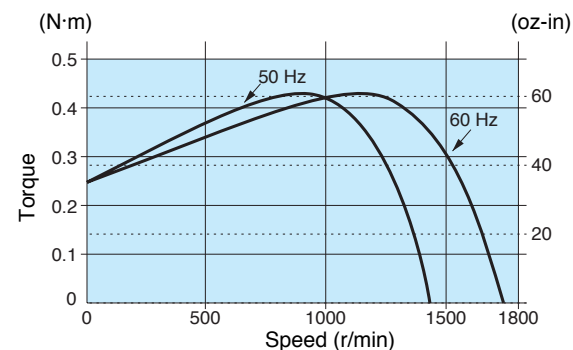
Model number of motor	Model number of capacitor (attachment)	L	W	D	H	T	Capacitor cap (option)	W1	W2	W3	W4
M91X40GK4L	M0PC10M20	39.5 (1.56)	26.7 (1.05)	37 (1.46)	32 (1.26)	4 (0.16)	M0PC3926	39.5 (1.56)	37.5 (1.48)	26 (1.02)	25 (0.98)
M91X40GK4Y	M0PC2.5M40	49.7 (1.96)	24 (0.94)	34.5 (1.36)	34.5 (1.36)	4 (0.16)	M0PC5026	50 (1.97)	48 (1.89)	26 (1.02)	22 (0.87)

Connection diagram



Speed-torque characteristics

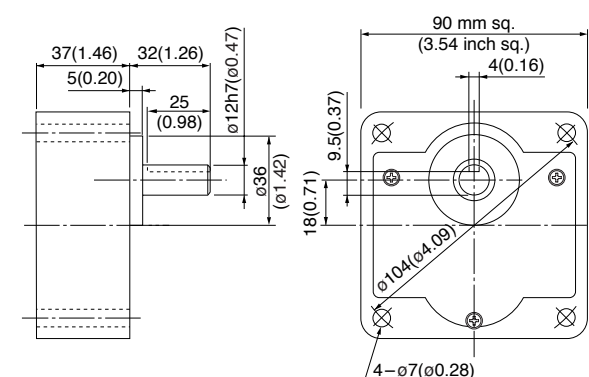
M91X40GK4L



Gear head (dimensions)

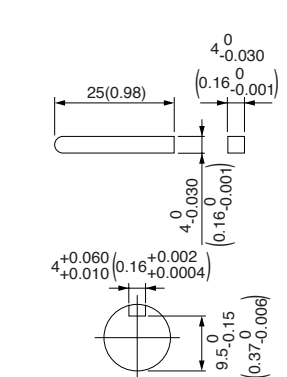
Scale: 1/3, Unit: mm (inch)

MX9G□B (ball bearing)	Mass 0.8 kg (1.76 lb)
MX9G□M (metal bearing)	Mass 0.8 kg (1.76 lb)



Key and keyway (dimensions) [attachment]

MX9G□B(M)



(Note) Because the dimensions may be subject to change, also check the determinate dimensions if the gear head is to be used for design.

Induction motor (sealed connector)

US CE 90 mm (3.54 inch) sq. 40 W

Specifications

Size	Motor model No.	Number of pole (P)	Output (W)	Voltage (V)	Frequency (Hz)	Rating (min)	Rating				Starting current (A)	Starting torque N-m (oz-in)	Capacitor (μF) (rated voltage)
							Input (W)	Current (A)	Speed (r/min)	Torque N-m (oz-in)			
90 mm sq.	M91X40GK4LG M91X40GK4LGA	4	40	100	50	Cont.	76	0.83	1250	0.31 (43.9)	1.7	0.26 (36.8)	12 (250 V)
					60		70	0.70	1600	0.24 (34.0)	1.5	0.26 (36.8)	10 (250 V)
	M91X40GK4DG M91X40GK4DGA	4	40	110	Cont.	72	0.67	1625	0.24 (34.0)	1.7	0.26 (36.8)	10 (250 V)	
				115		74	0.68	1625	0.24 (34.0)	1.8	0.27 (38.2)	3 (450 V)	
	M91X40GK4YG M91X40GK4YGA	4	40	200	Cont.	77	0.39	1175	0.33 (46.7)	0.64	0.26 (36.8)	3 (450 V)	
				60		77	0.39	1525	0.25 (35.4)	0.62	0.26 (36.8)	2.5 (450 V)	
	M91X40GK4GG M91X40GK4GGA	4	40	220	Cont.	78	0.37	1250	0.31 (43.9)	0.69	0.26 (36.8)	2.5 (450 V)	
				60		74	0.34	1575	0.24 (34.0)	0.65	0.26 (36.8)	2.5 (450 V)	
				230		79	0.37	1275	0.30 (42.5)	0.72	0.28 (39.6)	2.5 (450 V)	
				60		77	0.33	1600	0.24 (34.0)	0.68	0.28 (39.6)	2.5 (450 V)	

The specifications and wire connections of the round shaft motor are the same as those of the pinion shaft type. For the dimensional outline drawing, refer to page B-62.
 The models with a motor model number to which "A" is suffixed are not equipped with a capacitor cap.
 The models with a motor model number to which "A" is suffixed are not sold or available in Japan.

Permissible torque at output shaft of gear head

* The speed shown below is a calculated value based on the synchronous rotational speed. Depending on the load, the speed is less than the indicated value by 2% to 20%.

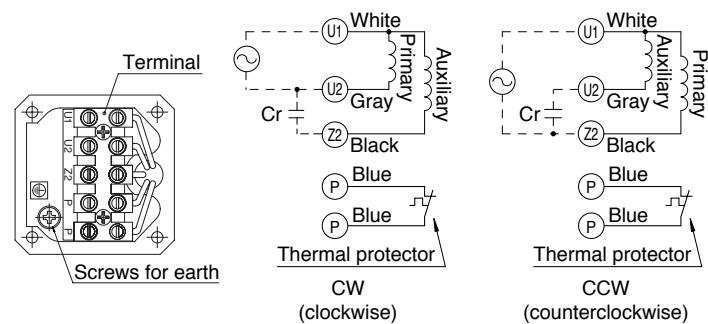
Unit of permissible torque: upper (N·m) / lower (lb·in)

Reduction ratio	Unit of permissible torque: upper (N·m) / lower (lb·in)																							
	3	3.6	5	6	7.5	9	10	12.5	15	18	20	25	30	36	50	60	75	90	100	120	150	180		
Speed (r/min)	[Data omitted for brevity]																							
Applicable gear head	MX9G3B to MX9G180B (ball bearing)												MX9G3M to MX9G180M (metal bearing)											
Rotational direction	Same as motor rotational direction												Reverse to motor rotational direction											

Permissible torque at output shaft of gear head using decimal gear head

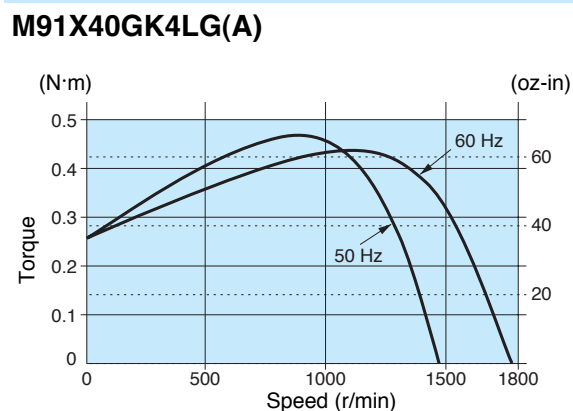
Applicable gear head	Reduction ratio	Permissible torque																
		200	250	300	360	500	600	750	900	1000	1200	1500	1800					
MX9G□B (ball bearing) MX9G□M (metal bearing)	MX9G10XB	Speed (r/min)	[Data omitted]															
		Rotational direction	Same as motor rotational direction								Reverse to motor rotational direction							

Connection diagram



(Refer to page A-58 for connection of thermal protector.)

Speed-torque characteristics

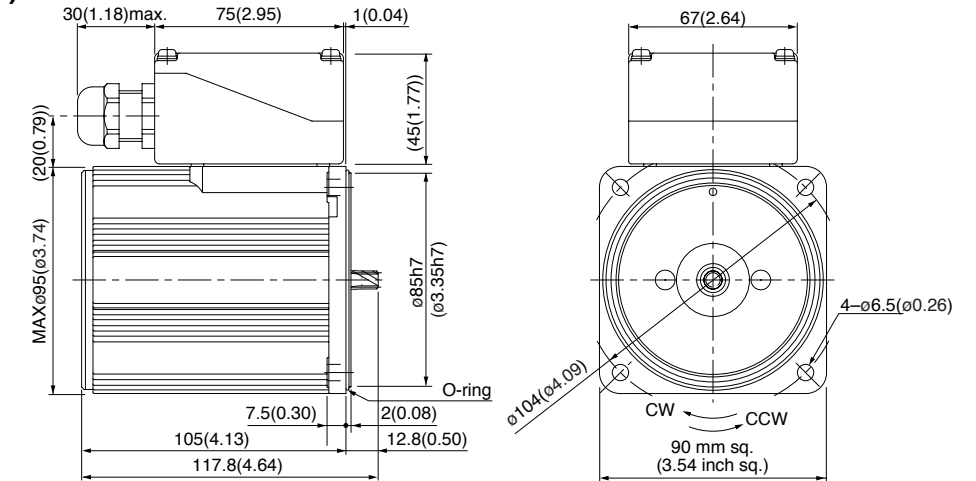


Motor (dimensions)

Scale: 1/3, Unit: mm (inch)

- M91X40GK4LG(A) 4P 40 W 100 V
- M91X40GK4DG(A) 4P 40 W 110 V / 115 V
- M91X40GK4YG(A) 4P 40 W 200 V
- M91X40GK4GG(A) 4P 40 W 220 V / 230 V

Mass 2.8 kg 6.17 lb
Helical gear 0.55
Number of teeth 9



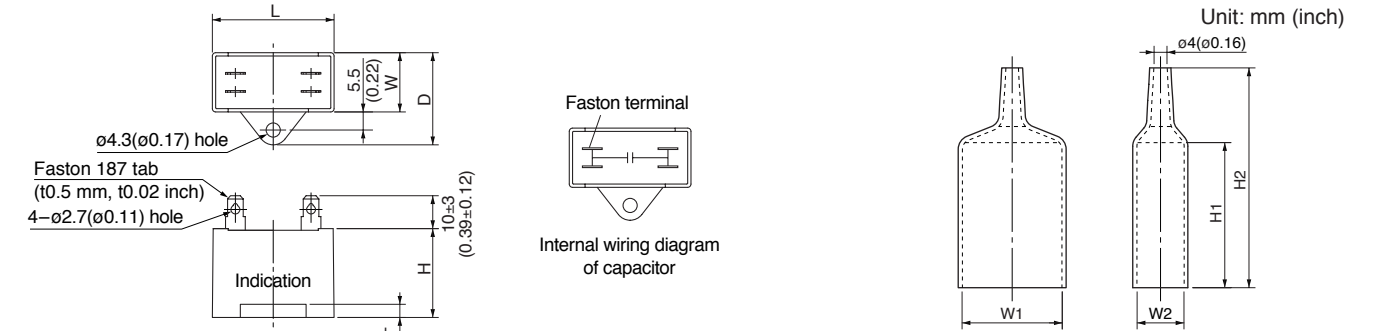
* Diameter of applicable cable to be φ8(φ0.31) to φ12(φ0.47).

Capacitor (dimensions) [attachment]

Unit: mm (inch)

Capacitor cap (dimensions) [attachment]

Unit: mm (inch)



Capacitor dimension list

Unit: upper (mm) / lower (inch)

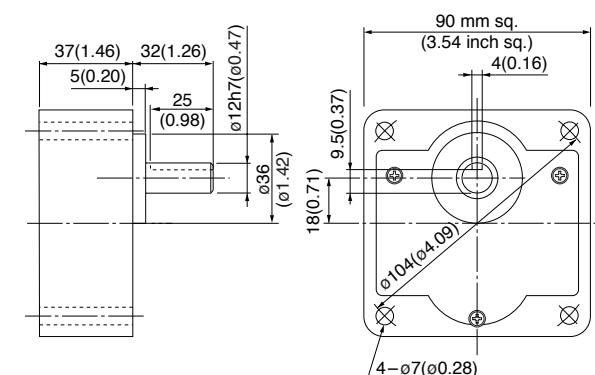
Model number of motor	Model number of capacitor (attachment)	L	W	D	H	T	Capacitor cap (attachment)	W1	W2	H1	H2
M91X40GK4LG(A)	M0PC12M25G	58 (2.28)	22 (0.87)	32 (1.26)	35 (1.38)	4 (0.16)	M0PC5822G	58 (2.28)	22 (0.87)	55 (2.17)	78 (3.07)
M91X40GK4DG(A)	M0PC10M25G	58 (2.28)	21 (0.83)	31 (1.22)	31 (1.22)	4 (0.16)	M0PC5821G	58 (2.28)	21 (0.83)	55 (2.17)	78 (3.07)
M91X40GK4YG(A)	M0PC3M45G	58 (2.28)	21 (0.83)	31 (1.22)	31 (1.22)	4 (0.16)	M0PC4821G	48 (1.89)	21 (0.83)	55 (2.17)	78 (3.07)
M91X40GK4GG(A)	M0PC2.5M45G	48 (1.89)	21 (0.83)	31 (1.22)	31 (1.22)	4 (0.16)	M0PC4821G	48 (1.89)	21 (0.83)	55 (2.17)	78 (3.07)

* The models with a motor model number to which "A" is suffixed are not equipped with a capacitor cap.

Gear head (dimensions)

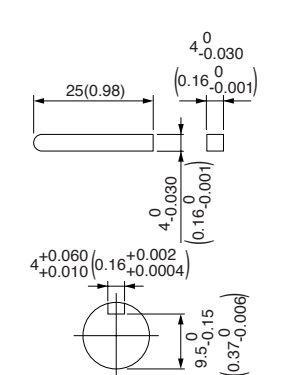
Scale: 1/3, Unit: mm (inch)

- MX9G□B (ball bearing) Mass 0.8 kg (1.76 lb)
- MX9G□M (metal bearing) Mass 0.8 kg (1.76 lb)



Key and keyway (dimensions) [attachment]

MX9G□B(M)



* Please read your User's manual carefully so that you will understand the operation and safety precautions before attempting to operate the system.

(Note) Because the dimensions may be subject to change, also check the determinate dimensions if the gear head is to be used for design.

Specifications

Size	Motor model No.	Number of pole (P)	Output (W)	Voltage (V)	Frequency (Hz)	Rating (min)	Rating				Starting current (A)	Starting torque N-m (oz-in)	Capacitor (μF) (rated voltage)
							Input (W)	Current (A)	Speed (r/min)	Torque N-m (oz-in)			
90 mm sq.	M91Z60GK4L	4	60	100	50	Cont.	118	1.3	1250	0.46 (65.1)	2.2	0.41 (58.1)	15 (210 V)
							117	1.2	1550	0.36 (51.0)	2.2	0.42 (59.5)	
	M91Z60GK4Y	4	60	200	50	Cont.	120	0.65	1250	0.46 (65.1)	1.1	0.42 (59.5)	3.8 (400 V)
							119	0.59	1550	0.36 (51.0)	1.1	0.44 (62.3)	

* The specifications and wire connections of the round shaft motor are the same as those of the pinion shaft type. For the dimensional outline drawing, refer to page B-62.

Permissible torque at output shaft of gear head

* The speed shown below is a calculated value based on the synchronous rotational speed. Depending on the load, the speed is less than the indicated value by 2 % to 20 %.

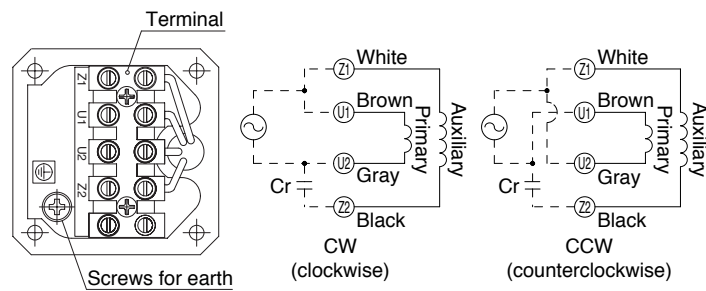
Unit of permissible torque: upper (N·m) / lower (lb-in)

Reduction ratio	Speed (r/min)																							
	50 Hz	60 Hz	3	3.6	5	6	7.5	9	10	12.5	15	18	20	25	30	36	50	60	75	90	100	120	150	180
Applicable gear head	MZ9G3B to MZ9G200B (ball bearing / hinge not attached)		19.6 (173)																					
Applicable gear head	MY9G3B to MY9G200B (ball bearing / hinge attached)		19.6 (173)																					
Rotational direction	Same as motor rotational direction										Reverse to motor rotational direction													

Permissible torque at output shaft of gear head using decimal gear head

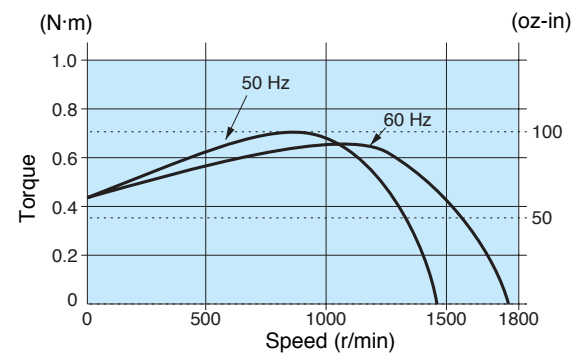
Applicable gear head	Reduction ratio	Speed (r/min)															
		250	300	360	500	600	750	900	1000	1200	1500	1800					
Bearing	Decimal gear head	50 Hz	6	5	4.2	3	2.5	2	1.7	1.5	1.3	1	0.8				
MZ9G□B (ball bearing / Hinge not attached)	MZ9G10XB	60 Hz	7.2	6	5	3.6	3	2.4	2	1.8	1.5	1.2	1				
MY9G□B (ball bearing / Hinge attached)		Permissible torque (N-m) (lb-in)	19.6 (173)	19.6 (173)	19.6 (173)	19.6 (173)	19.6 (173)	19.6 (173)	19.6 (173)	19.6 (173)	19.6 (173)	19.6 (173)	19.6 (173)	19.6 (173)			
Rotational direction		Reverse to motor rotational direction				Same as motor rotational direction											

Connection diagram



Speed-torque characteristics

M91Z60GK4L

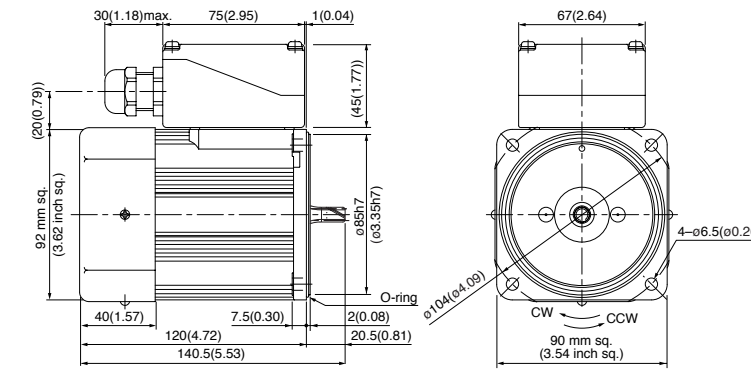


Motor (dimensions)

Scale: 1/4, Unit: mm (inch)

M91Z60GK4L 4P 60 W 100 V (with fan)
M91Z60GK4Y 4P 60 W 200 V (with fan)

Mass 3.0 kg 6.61 lb
Helical gear
Module 0.6
Number of teeth 9



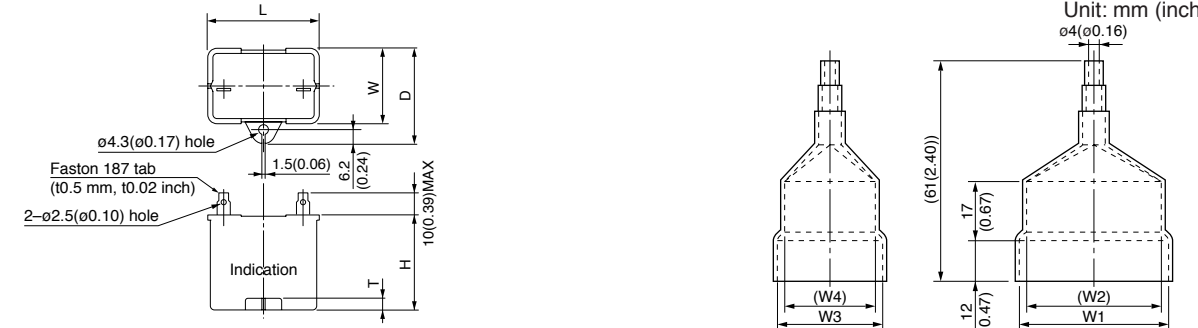
* Diameter of applicable cable to be $\phi 8(\phi 0.31)$ to $\phi 12(\phi 0.47)$.

Capacitor (dimensions) [attachment]

Unit: mm (inch)

Capacitor cap (dimensions) [option]

Unit: mm (inch)



Capacitor dimension list Unit: upper (mm) / lower (inch)

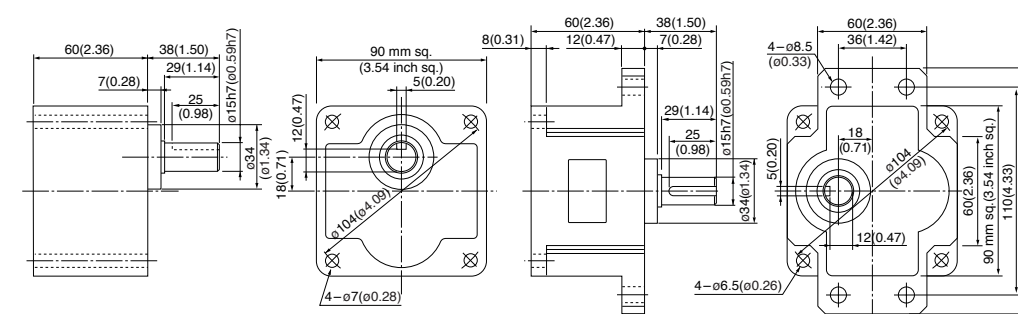
Model number of motor	Model number of capacitor (attachment)	L	W	D	H	T	Capacitor cap (option)	W1	W2	W3	W4
M91Z60GK4L	M0PC15M21	39.5 (1.56)	26.7 (1.05)	37 (1.46)	41 (1.61)	4 (0.16)	M0PC3926	39.5 (1.56)	37.5 (1.48)	26 (1.02)	25 (0.98)
M91Z60GK4Y	M0PC3.8M40	50 (1.97)	26.7 (1.05)	37.5 (1.48)	38 (1.50)	4 (0.16)	M0PC5026	50 (1.97)	48 (1.89)	26 (1.02)	22 (0.87)

Gear head (dimensions)

Scale: 1/4, Unit: mm (inch)

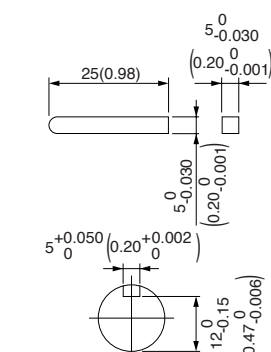
MZ9G□B (ball bearing / hinge not attached)
Mass 1.4 kg (3.09 lb)

MY9G□B (ball bearing / hinge attached)
Mass 1.4 kg (3.09 lb)



Key and keyway (dimensions) [attachment]

MZ9G□B
MY9G□B



Note) MZ / MY is available for a gear head of either type.

(Note) Because the dimensions may be subject to change, also check the determinate dimensions if the gear head is to be used for design.

Specifications

Size	Motor model No.	Number of pole (P)	Output (W)	Voltage (V)	Frequency (Hz)	Rating (min)	Rating				Starting current (A)	Starting torque N-m (oz-in)	Capacitor (μF) (rated voltage)
							Input (W)	Current (A)	Speed (r/min)	Torque N-m (oz-in)			
90 mm sq.	M91Z60GK4LG M91Z60GK4LGA	4	60	100	50	Cont.	119	1.3	1250	0.46 (65.1)	2.4	0.44 (62.3)	20 (250 V)
							112	1.2	1575	0.36 (51.0)	2.3	0.44 (62.3)	18 (250 V)
	M91Z60GK4DG M91Z60GK4DGA	4	60	110	60	Cont.	120	1.1	1625	0.35 (49.6)	2.5	0.49 (69.4)	18 (250 V)
							127	1.2	1625	0.35 (49.6)	2.6	0.53 (75.1)	5 (450 V)
	M91Z60GK4YG M91Z60GK4YGA	4	60	200	50	Cont.	114	0.57	1225	0.47 (66.6)	1.0	0.44 (62.3)	5 (450 V)
							122	0.62	1550	0.37 (52.4)	1.0	0.44 (62.3)	4.5 (450 V)
	M91Z60GK4GG M91Z60GK4GGA	4	60	220	60	Cont.	121	0.58	1275	0.45 (63.7)	1.1	0.49 (69.4)	4.5 (450 V)
							120	0.55	1600	0.36 (51.0)	1.1	0.49 (69.4)	4.5 (450 V)
	M91Z60GK4GG M91Z60GK4GGA	4	60	230	60	Cont.	129	0.61	1300	0.44 (62.3)	1.1	0.53 (75.1)	4.5 (450 V)
							126	0.55	1625	0.35 (49.6)	1.1	0.53 (75.1)	4.5 (450 V)
	M91Z60GK4GGB M91Z60GK4GGC	4	60	220	50	Cont.	106	0.48	1350	0.42 (4.3)	1.0	0.40 (4.0)	4.5 (450 V)
							123	0.59	1650	0.34 (3.5)	0.97	0.40 (4.0)	4.5 (450 V)
M91Z60GK4GGB M91Z60GK4GGC	4	60	230	50	Cont.	112	0.49	1375	0.42 (4.3)	1.1	0.43 (4.4)	4.5 (450 V)	
						128	0.59	1675	0.34 (3.5)	1.0	0.43 (4.4)	4.5 (450 V)	

• The specifications and wire connections of the round shaft motor are the same as those of the pinion shaft type. For the dimensional outline drawing, refer to page B-62.
 • The models with a motor model number to which "A" or "B" is suffixed are not equipped with a capacitor cap.
 • The models with a motor model number to which "A" or "B" is suffixed are not sold or available in Japan.

Permissible torque at output shaft of gear head

* The speed shown below is a calculated value based on the synchronous rotational speed. Depending on the load, the speed is less than the indicated value by 2 % to 20 %.

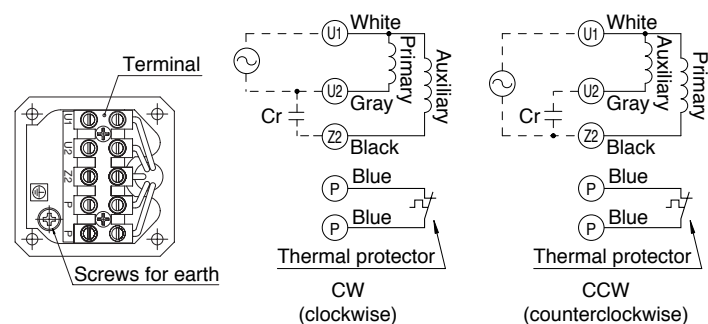
Unit of permissible torque: upper (N·m) / lower (lb·in)

Reduction ratio	Unit of permissible torque: upper (N·m) / lower (lb·in)																							
	3	3.6	5	6	7.5	9	10	12.5	15	18	20	25	30	36	50	60	75	90	100	120	150	180	200	
Speed (r/min)	[Data omitted for brevity]																							
Applicable gear head	MZ9G3B to MZ9G200B (ball bearing / hinge not attached)												MY9G3B to MY9G200B (ball bearing / hinge attached)											
Rotational direction	Same as motor rotational direction												Reverse to motor rotational direction											

Permissible torque at output shaft of gear head using decimal gear head

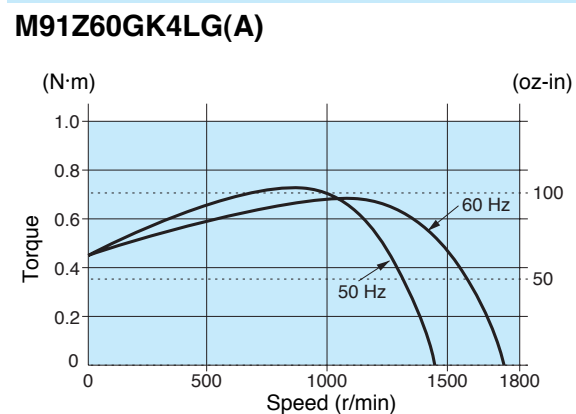
Applicable gear head		Reduction ratio	Permissible torque													
Bearing	Decimal gear head		Speed (r/min)	50 Hz	60 Hz	6	5	4.2	3	2.5	2	1.7	1.5	1.3	1	0.8
MZ9G□B (ball bearing / hinge not attached)	MZ9G10XB	Permissible torque	N·m	19.6	19.6	19.6	19.6	19.6	19.6	19.6	19.6	19.6	19.6	19.6	19.6	19.6
MY9G□B (ball bearing / hinge attached)			(lb-in)	(173)	(173)	(173)	(173)	(173)	(173)	(173)	(173)	(173)	(173)	(173)	(173)	(173)
		Rotational direction	Reverse to motor rotational direction													

Connection diagram



(Refer to page A-58 for connection of thermal protector.)

Speed-torque characteristics

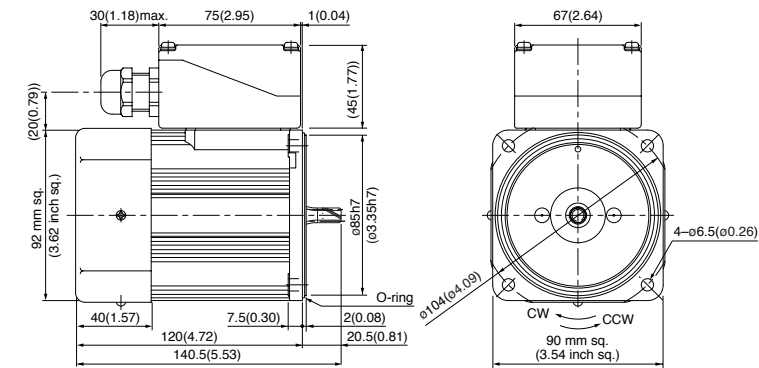


Motor (dimensions)

Scale: 1/4, Unit: mm (inch)

- M91Z60GK4LG(A) 4P 60 W 100 V (with fan)
- M91Z60GK4DG(A) 4P 60 W 110 V / 115 V (with fan)
- M91Z60GK4YG(A) 4P 60 W 200 V (with fan)
- M91Z60GK4GG(A) 4P 60 W 220 V / 230 V (with fan)
- M91Z60GK4GGB 4P 60 W 220 V / 230 V (with fan)
- M91Z60GK4GGC 4P 60 W 220 V / 230 V (with fan)

Mass	Helical gear	Module	Number of teeth
3.0 kg 6.61 lb		0.6	9



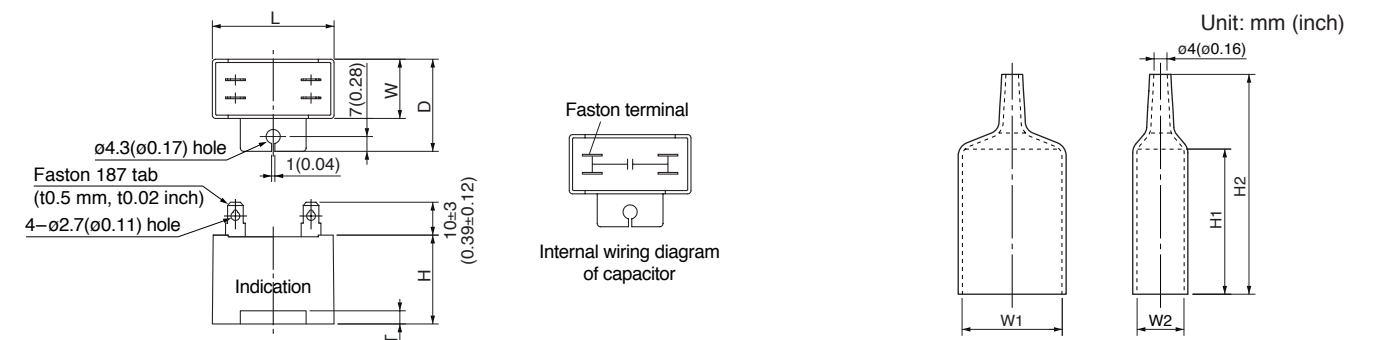
* Diameter of applicable cable to be ø8(ø0.31) to ø12(ø0.47).

Capacitor (dimensions) [attachment]

Unit: mm (inch)

Capacitor cap (dimensions) [attachment]

Unit: mm (inch)



Capacitor dimension list

Unit: upper (mm) / lower (inch)

Model number of motor	Model number of capacitor (attachment)	L	W	D	H	T	Capacitor cap (attachment)	W1	W2	H1	H2
M91Z60GK4LG(A)	M0PC20M25G	58 (2.28)	29 (1.14)	44 (1.73)	41 (1.61)	4 (0.16)	M0PC5829G	58 (2.28)	29 (1.14)	55 (2.17)	78 (3.07)
M91Z60GK4DG(A)	M0PC18M25G	58 (2.28)	29 (1.14)	44 (1.73)	41 (1.61)	4 (0.16)	M0PC5829G	58 (2.28)	29 (1.14)	55 (2.17)	78 (3.07)
M91Z60GK4YG(A)	M0PC5M45G	58 (2.28)	29 (1.14)	44 (1.73)	41 (1.61)	4 (0.16)	M0PC5829G	58 (2.28)	29 (1.14)	55 (2.17)	78 (3.07)
M91Z60GK4GG(A)	M0PC4.5M45G	58 (2.28)	23.5 (0.93)	38.5 (1.52)	37 (1.46)	4 (0.16)	M0PC5823G	58 (2.28)	23.5 (0.93)	55 (2.17)	78 (3.07)
M91Z60GK4GGB											
M91Z60GK4GGC											

* The models with a motor model number to which "A" or "B" is suffixed are not equipped with a capacitor cap.

Gear head (dimensions)

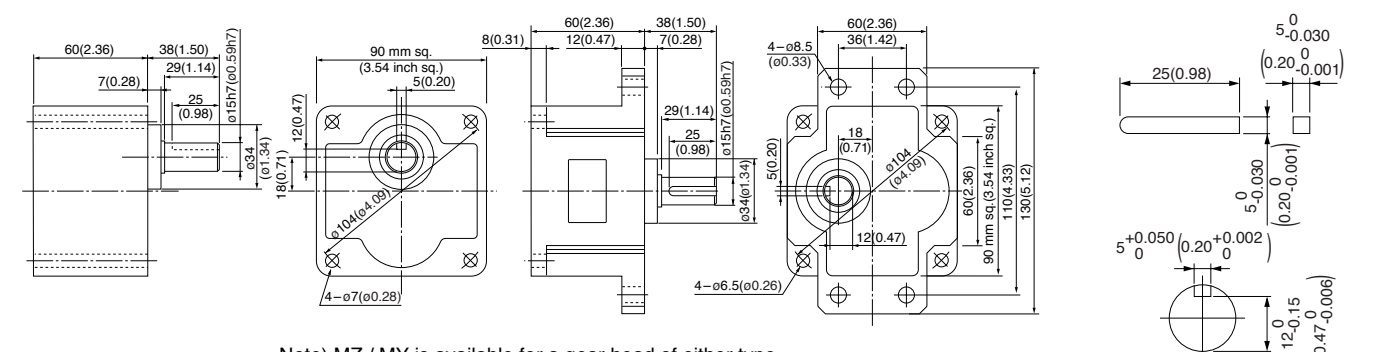
Scale: 1/4, Unit: mm (inch)

MZ9G□B (ball bearing / hinge not attached)
Mass 1.4 kg (3.09 lb)

MY9G□B (ball bearing / hinge attached)
Mass 1.4 kg (3.09 lb)

Key and keyway (dimensions) [attachment]

MZ9G□B
MY9G□B



Note) MZ / MY is available for a gear head of either type.

(Note) Because the dimensions may be subject to change, also check the determinate dimensions if the gear head is to be used for design.

Specifications

Size	Motor model No.	Number of pole (P)	Output (W)	Voltage (V)	Frequency (Hz)	Rating (min)	Rating				Starting current (A)	Starting torque N-m (oz-in)	Capacitor (μF) (rated voltage)
							Input (W)	Current (A)	Speed (r/min)	Torque N-m (oz-in)			
90mm sq.	M91Z90GK4L	4	90	100	50	Cont.	153	1.6	1325	0.65 (92.0)	3.3	0.47 (66.6)	25 (200 V)
							160	1.6	1625	0.53 (75.1)	3.0	0.47 (66.6)	
	M91Z90GK4Y	4	90	200	50	Cont.	150	0.75	1325	0.62 (87.8)	1.7	0.47 (66.6)	5.8 (400 V)
							160	0.80	1650	0.51 (72.2)	1.5	0.47 (66.6)	

* The specifications and wire connections of the round shaft motor are the same as those of the pinion shaft type. For the dimensional outline drawing, refer to page B-62.

Permissible torque at output shaft of gear head

* The speed shown below is a calculated value based on the synchronous rotational speed. Depending on the load, the speed is less than the indicated value by 2 % to 20 %.

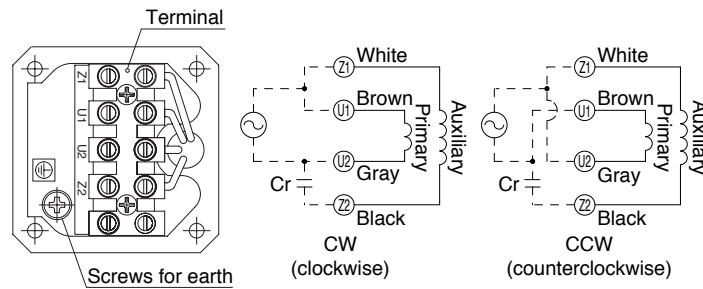
Unit of permissible torque: upper (N·m) / lower (lb-in)

Reduction ratio	Speed (r/min)																																																																																																																													
	50 Hz	60 Hz	3	3.6	5	6	7.5	9	10	12.5	15	18	20	25	30	36	50	60	75	90	100	120	150	180	200																																																																																																					
Applicable gear head	<table border="1"> <tr> <td rowspan="2">MZ9G3B to MZ9G200B (ball bearing / hinge not attached)</td> <td>50 Hz</td> <td>1.37 (12.1)</td><td>1.67 (14.8)</td><td>2.25 (19.9)</td><td>2.74 (24.3)</td><td>3.43 (30.4)</td><td>4.12 (36.5)</td><td>4.51 (39.9)</td><td>5.68 (50.3)</td><td>6.76 (59.8)</td><td>8.04 (71.2)</td><td>9.02 (79.8)</td><td>10.9 (96.5)</td><td>13.0 (115)</td><td>15.7 (139)</td><td>19.6 (173)</td> <td colspan="10"></td> </tr> <tr> <td>60 Hz</td> <td>1.18 (10.4)</td><td>1.37 (12.1)</td><td>1.86 (16.5)</td><td>2.25 (19.9)</td><td>2.84 (25.1)</td><td>3.43 (30.4)</td><td>3.72 (32.9)</td><td>4.70 (41.6)</td><td>5.68 (50.3)</td><td>6.76 (59.8)</td><td>7.55 (66.8)</td><td>9.21 (81.5)</td><td>10.9 (96.5)</td><td>13.0 (115)</td><td>18.3 (162)</td> <td colspan="10"></td> </tr> <tr> <td>MY9G3B to MY9G200B (ball bearing / hinge attached)</td> <td>50 Hz</td> <td>1.37 (12.1)</td><td>1.67 (14.8)</td><td>2.25 (19.9)</td><td>2.74 (24.3)</td><td>3.43 (30.4)</td><td>4.12 (36.5)</td><td>4.51 (39.9)</td><td>5.68 (50.3)</td><td>6.76 (59.8)</td><td>8.04 (71.2)</td><td>9.02 (79.8)</td><td>10.9 (96.5)</td><td>13.0 (115)</td><td>15.7 (139)</td><td>19.6 (173)</td> <td colspan="10"></td> </tr> <tr> <td>60 Hz</td> <td>1.18 (10.4)</td><td>1.37 (12.1)</td><td>1.86 (16.5)</td><td>2.25 (19.9)</td><td>2.84 (25.1)</td><td>3.43 (30.4)</td><td>3.72 (32.9)</td><td>4.70 (41.6)</td><td>5.68 (50.3)</td><td>6.76 (59.8)</td><td>7.55 (66.8)</td><td>9.21 (81.5)</td><td>10.9 (96.5)</td><td>13.0 (115)</td><td>18.3 (162)</td> <td colspan="10"></td> </tr> </table>																				MZ9G3B to MZ9G200B (ball bearing / hinge not attached)	50 Hz	1.37 (12.1)	1.67 (14.8)	2.25 (19.9)	2.74 (24.3)	3.43 (30.4)	4.12 (36.5)	4.51 (39.9)	5.68 (50.3)	6.76 (59.8)	8.04 (71.2)	9.02 (79.8)	10.9 (96.5)	13.0 (115)	15.7 (139)	19.6 (173)											60 Hz	1.18 (10.4)	1.37 (12.1)	1.86 (16.5)	2.25 (19.9)	2.84 (25.1)	3.43 (30.4)	3.72 (32.9)	4.70 (41.6)	5.68 (50.3)	6.76 (59.8)	7.55 (66.8)	9.21 (81.5)	10.9 (96.5)	13.0 (115)	18.3 (162)											MY9G3B to MY9G200B (ball bearing / hinge attached)	50 Hz	1.37 (12.1)	1.67 (14.8)	2.25 (19.9)	2.74 (24.3)	3.43 (30.4)	4.12 (36.5)	4.51 (39.9)	5.68 (50.3)	6.76 (59.8)	8.04 (71.2)	9.02 (79.8)	10.9 (96.5)	13.0 (115)	15.7 (139)	19.6 (173)											60 Hz	1.18 (10.4)	1.37 (12.1)	1.86 (16.5)	2.25 (19.9)	2.84 (25.1)	3.43 (30.4)	3.72 (32.9)	4.70 (41.6)	5.68 (50.3)	6.76 (59.8)	7.55 (66.8)	9.21 (81.5)	10.9 (96.5)	13.0 (115)	18.3 (162)										
MZ9G3B to MZ9G200B (ball bearing / hinge not attached)	50 Hz	1.37 (12.1)	1.67 (14.8)	2.25 (19.9)	2.74 (24.3)	3.43 (30.4)	4.12 (36.5)	4.51 (39.9)	5.68 (50.3)	6.76 (59.8)	8.04 (71.2)	9.02 (79.8)	10.9 (96.5)	13.0 (115)	15.7 (139)	19.6 (173)																																																																																																														
	60 Hz	1.18 (10.4)	1.37 (12.1)	1.86 (16.5)	2.25 (19.9)	2.84 (25.1)	3.43 (30.4)	3.72 (32.9)	4.70 (41.6)	5.68 (50.3)	6.76 (59.8)	7.55 (66.8)	9.21 (81.5)	10.9 (96.5)	13.0 (115)	18.3 (162)																																																																																																														
MY9G3B to MY9G200B (ball bearing / hinge attached)	50 Hz	1.37 (12.1)	1.67 (14.8)	2.25 (19.9)	2.74 (24.3)	3.43 (30.4)	4.12 (36.5)	4.51 (39.9)	5.68 (50.3)	6.76 (59.8)	8.04 (71.2)	9.02 (79.8)	10.9 (96.5)	13.0 (115)	15.7 (139)	19.6 (173)																																																																																																														
60 Hz	1.18 (10.4)	1.37 (12.1)	1.86 (16.5)	2.25 (19.9)	2.84 (25.1)	3.43 (30.4)	3.72 (32.9)	4.70 (41.6)	5.68 (50.3)	6.76 (59.8)	7.55 (66.8)	9.21 (81.5)	10.9 (96.5)	13.0 (115)	18.3 (162)																																																																																																															
Rotational direction	Same as motor rotational direction										Reverse to motor rotational direction																																																																																																																			

Permissible torque at output shaft of gear head using decimal gear head

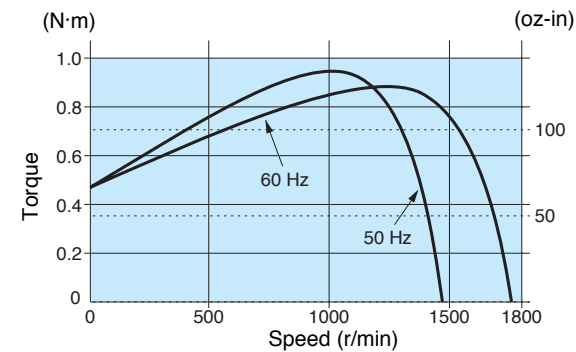
Applicable gear head	Reduction ratio	Speed (r/min)															
		250	300	360	500	600	750	900	1000	1200	1500	1800					
Bearing	Decimal gear head	50 Hz	6	5	4.2	3	2.5	2	1.7	1.5	1.3	1	0.8				
		60 Hz	7.2	6	5	3.6	3	2.4	2	1.8	1.5	1.2	1				
MZ9G□B (ball bearing / hinge not attached) MY9G□B (ball bearing / hinge attached)	MZ9G10XB	Permissible torque	N-m (lb-in)	19.6 (173)	19.6 (173)	19.6 (173)	19.6 (173)	19.6 (173)	19.6 (173)	19.6 (173)	19.6 (173)	19.6 (173)	19.6 (173)				
		Rotational direction	Reverse to motor rotational direction		Same as motor rotational direction												

Connection diagram



Speed-torque characteristics

M91Z90GK4L

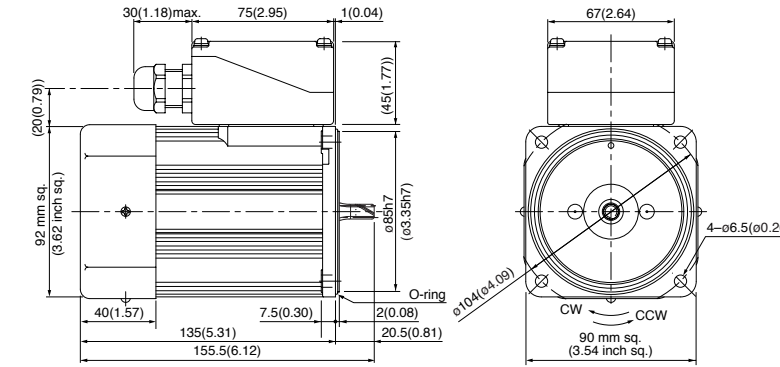


Motor (dimensions)

Scale: 1/4, Unit: mm (inch)

M91Z90GK4L 4P 90 W 100 V (with fan)
M91Z90GK4Y 4P 90 W 200 V (with fan)

Mass 3.3 kg (7.28 lb)
Helical gear
Module 0.6
Number of teeth 9



* Diameter of applicable cable to be $\phi 8(\phi 0.31)$ to $\phi 12(\phi 0.47)$.

Capacitor (dimensions) [attachment]

Unit: mm (inch)

Capacitor cap (dimensions) [option]

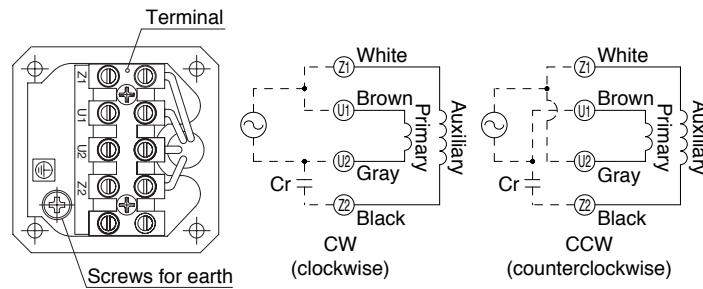
Unit: mm (inch)



Capacitor dimension list Unit: upper (mm) / lower (inch)

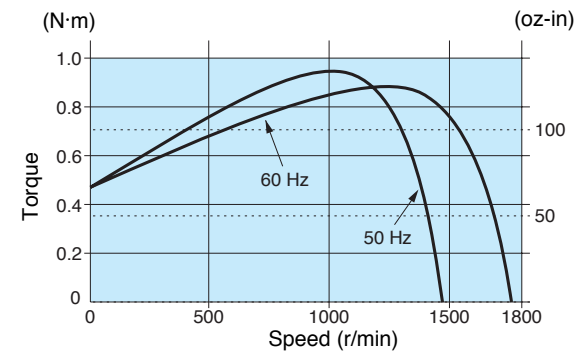
Model number of motor	Model number of capacitor (attachment)	L	W	D	H	T	Capacitor cap (option)	W1	W2	W3	W4
M91Z90GK4L	M0PC25M20	50.2 (1.98)	31 (1.22)	41 (1.61)	42 (1.65)	5 (0.20)	M0PC5032	50 (1.97)	48 (1.89)	32.5 (1.28)	29.5 (1.16)
M91Z90GK4Y	M0PC5.8M40	50 (1.97)	30.5 (1.20)	41 (1.61)	41.5 (1.63)	4 (0.16)	M0PC5032	50 (1.97)	48 (1.89)	32.5 (1.28)	29.5 (1.16)

Connection diagram



Speed-torque characteristics

M91Z90GK4L



Gear head (dimensions)

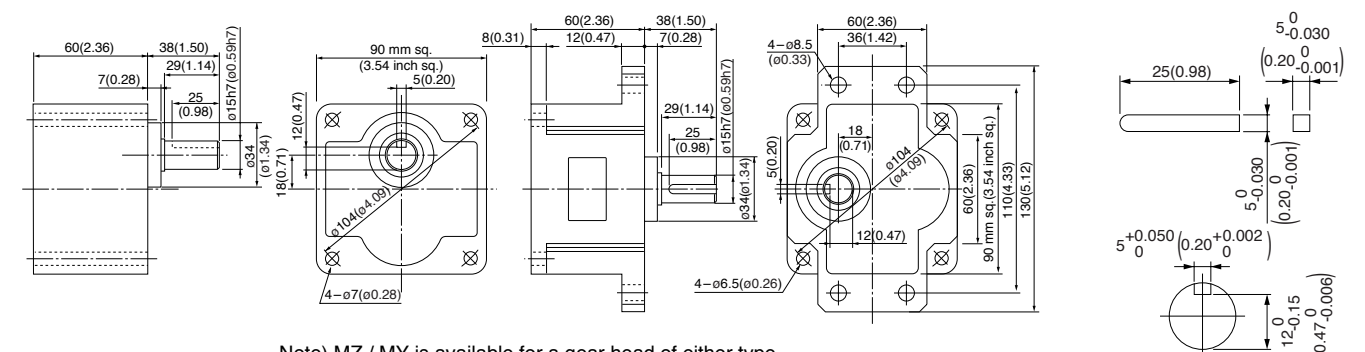
Scale: 1/4, Unit: mm (inch)

MZ9G□B (ball bearing / hinge not attached)
Mass 1.4 kg (3.09 lb)

MY9G□B (ball bearing / hinge attached)
Mass 1.4 kg (3.09 lb)

Key and keyway (dimensions) [attachment]

MZ9G□B
MY9G□B



Note) MZ / MY is available for a gear head of either type.

(Note) Because the dimensions may be subject to change, also check the determinate dimensions if the gear head is to be used for design.

* Please read your User's manual carefully so that you will understand the operation and safety precautions before attempting to operate the system.

Specifications

Size	Motor model No.	Number of pole (P)	Output (W)	Voltage (V)	Frequency (Hz)	Rating (min)	Rating				Starting current (A)	Starting torque N-m (oz-in)	Capacitor (μF) (rated voltage)
							Input (W)	Current (A)	Speed (r/min)	Torque N-m (oz-in)			
90 mm sq.	M91Z90GK4LG M91Z90GK4LGA	4	90	100	50	Cont.	172	1.8	1250	0.69(97.7)	3.0	0.65(92.0)	30
					60		177	1.8	1575	0.55(77.9)	2.8	0.65(92.0)	(250 V)
	M91Z90GK4DG M91Z90GK4DGA	4	90	110	60	Cont.	168	1.6	1600	0.54(76.5)	3.0	0.65(92.0)	25
					115		60	176	1.6	1600	0.54(76.5)	3.1	0.72(102)
	M91Z90GK4YG M91Z90GK4YGA	4	90	200	50	Cont.	170	0.85	1225	0.70(99.1)	1.4	0.65(92.0)	7.5
					60		188	0.97	1550	0.55(77.9)	1.4	0.65(92.0)	(450 V)
	M91Z90GK4GG M91Z90GK4GGA	4	90	220	50	Cont.	176	0.85	1225	0.70(99.1)	1.5	0.63(89.2)	6
					60		167	0.76	1575	0.55(77.9)	1.4	0.65(92.0)	(450 V)
	M91Z90GK4GGB M91Z90GK4GGC	4	90	230	50	Cont.	185	0.89	1250	0.69(97.7)	1.5	0.68(96.3)	6
					60		173	0.76	1600	0.54(76.5)	1.5	0.72(102)	(450 V)
	M91Z90GK4GGB M91Z90GK4GGC	4	90	220	50	Cont.	153	0.70	1325	0.65(92.0)	1.4	0.55(77.9)	6
					60		169	0.81	1625	0.53(75.1)	1.3	0.56(79.3)	(450 V)
M91Z90GK4GGB M91Z90GK4GGC	4	90	230	50	Cont.	159	0.70	1350	0.64(90.6)	1.5	0.61(86.4)	6	
				60		176	0.81	1650	0.52(73.6)	1.4	0.63(89.2)	(450 V)	

The specifications and wire connections of the round shaft motor are the same as those of the pinion shaft type. For the dimensional outline drawing, refer to page B-62.
The models with a motor model number to which "A" or "B" is suffixed are not equipped with a capacitor cap.
The models with a motor model number to which "A" or "B" is suffixed are not sold or available in Japan.

Permissible torque at output shaft of gear head

The speed shown below is a calculated value based on the synchronous rotational speed. Depending on the load, the speed is less than the indicated value by 2% to 20%.

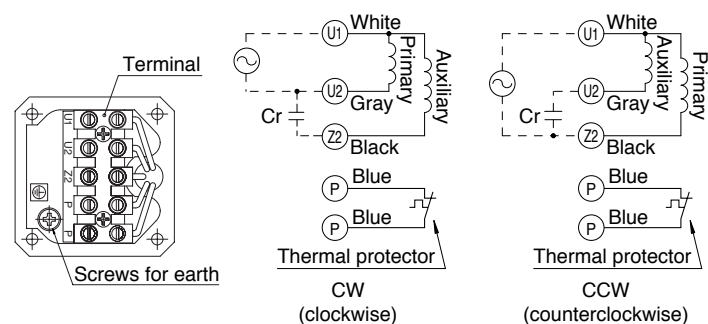
Unit of permissible torque: upper (N·m) / lower (lb·in)

Reduction ratio	Unit of permissible torque: upper (N·m) / lower (lb·in)																					
	3	3.6	5	6	7.5	9	10	12.5	15	18	20	25	30	36	50	60	75	90	100	120	150	180
Speed (r/min)	50 Hz																					
	60 Hz																					
Applicable gear head	MZ9G3B to MZ9G200B (ball bearing / hinge not attached)																					
	MY9G3B to MY9G200B (ball bearing / hinge attached)																					
Rotational direction	Same as motor rotational direction												Reverse to motor rotational direction									

Permissible torque at output shaft of gear head using decimal gear head

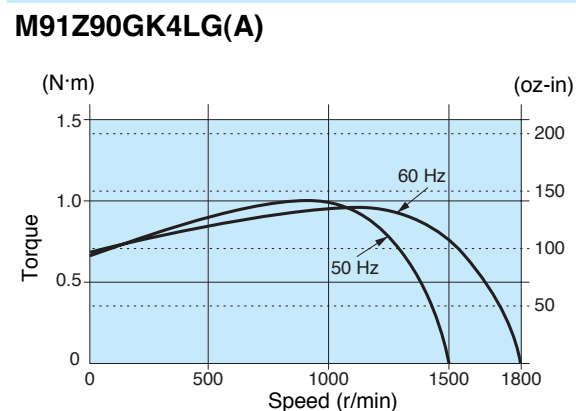
Applicable gear head		Reduction ratio	Permissible torque														
Bearing	Decimal gear head		Speed (r/min)	50 Hz	60 Hz	6	5	4.2	3	2.5	2	1.7	1.5	1.3	1	0.8	
MZ9G□B (ball bearing / hinge not attached)	MZ9G10XB	Permissible torque	N·m	19.6	19.6	19.6	19.6	19.6	19.6	19.6	19.6	19.6	19.6	19.6	19.6	19.6	
			(lb-in)	(173)	(173)	(173)	(173)	(173)	(173)	(173)	(173)	(173)	(173)	(173)	(173)	(173)	(173)
Rotational direction			Reverse to motor rotational direction			Same as motor rotational direction											

Connection diagram



(Refer to page A-58 for connection of thermal protector.)

Speed-torque characteristics

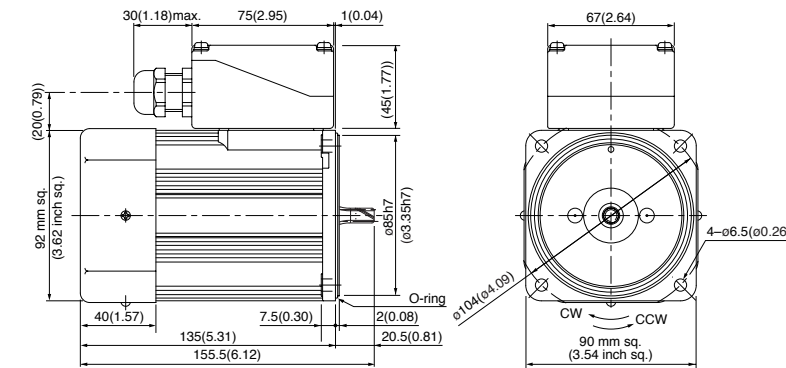


Motor (dimensions)

Scale: 1/4, Unit: mm (inch)

Motor model No.	Phase	Power (W)	Voltage (V)
M91Z90GK4LG(A)	4P	90 W	100 V (with fan)
M91Z90GK4DG(A)	4P	90 W	110 V / 115 V (with fan)
M91Z90GK4YG(A)	4P	90 W	200 V (with fan)
M91Z90GK4GG(A)	4P	90 W	220 V / 230 V (with fan)
M91Z90GK4GGB	4P	90 W	220 V / 230 V (with fan)
M91Z90GK4GGC	4P	90 W	220 V / 230 V (with fan)

Mass	Helical gear	Module	Number of teeth
3.3 kg (7.28 lb)		0.6	9



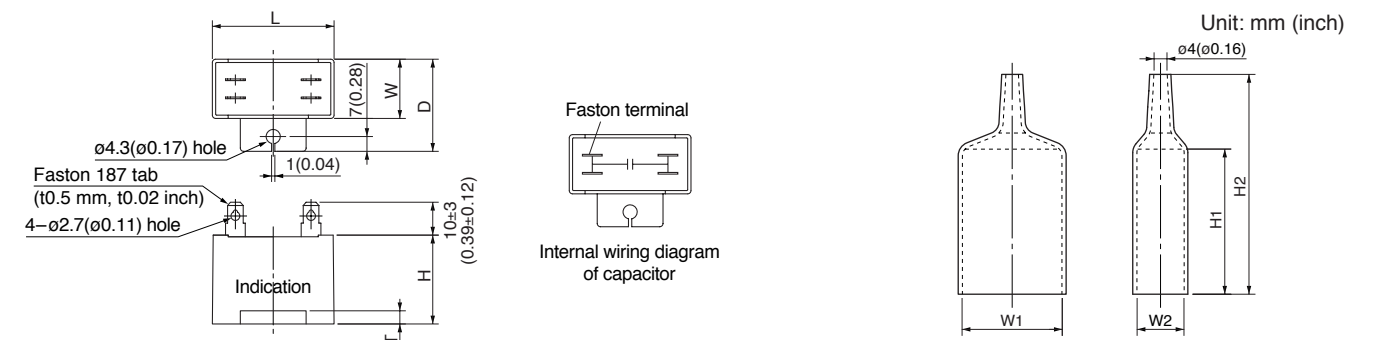
* Diameter of applicable cable to be ø8(ø0.31) to ø12(ø0.47).

Capacitor (dimensions) [attachment]

Unit: mm (inch)

Capacitor cap (dimensions) [attachment]

Unit: mm (inch)



Capacitor dimension list

Model number of motor	Model number of capacitor (attachment)	L	W	D	H	T	Capacitor cap (attachment)	W1	W2	H1	H2
M91Z90GK4LG(A)	M0PC30M25G	58 (2.28)	35 (1.38)	50 (1.97)	50 (1.97)	4 (0.16)	M0PC5835G	58 (2.28)	35 (1.38)	55 (2.17)	78 (3.07)
M91Z90GK4DG(A)	M0PC25M25G	58 (2.28)	35 (1.38)	50 (1.97)	50 (1.97)	4 (0.16)	M0PC5835G	58 (2.28)	35 (1.38)	55 (2.17)	78 (3.07)
M91Z90GK4YG(A)	M0PC7.5M45G	58 (2.28)	35 (1.38)	50 (1.97)	50 (1.97)	4 (0.16)	M0PC5835G	58 (2.28)	35 (1.38)	55 (2.17)	78 (3.07)
M91Z90GK4GG(A)	M0PC6M45G	58 (2.28)	29 (1.14)	44 (1.73)	41 (1.61)	4 (0.16)	M0PC5829G	58 (2.28)	29 (1.14)	55 (2.17)	78 (3.07)
M91Z90GK4GGB											
M91Z90GK4GGC											

The models with a motor model number to which "A" or "B" is suffixed are not equipped with a capacitor cap.

Gear head (dimensions)

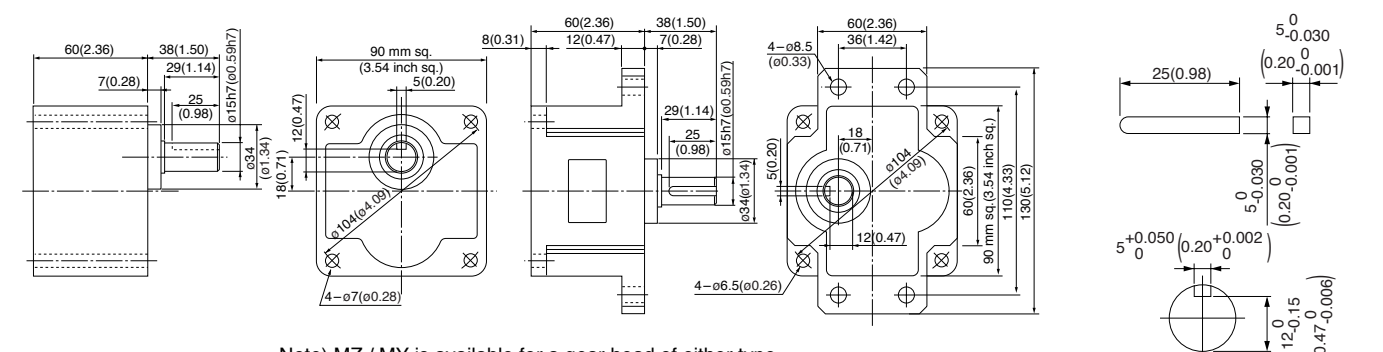
Scale: 1/4, Unit: mm (inch)

MZ9G□B (ball bearing / hinge not attached)
Mass 1.4 kg (3.09 lb)

MY9G□B (ball bearing / hinge attached)
Mass 1.4 kg (3.09 lb)

Key and keyway (dimensions) [attachment]

MZ9G□B
MY9G□B



Note) MZ / MY is available for a gear head of either type.

(Note) Because the dimensions may be subject to change, also check the determinate dimensions if the gear head is to be used for design.

Induction motor (sealed connector)

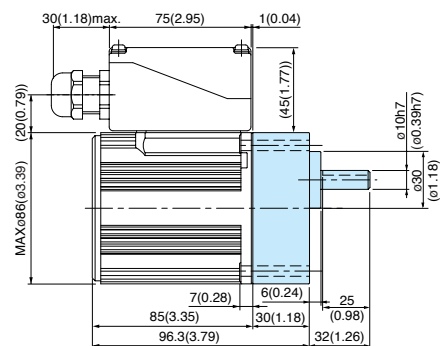
Gear head combination dimensions

Scale: 1/4, Unit: mm

* Gear head is sold separately.

80 mm sq. (3.15 inch sq.) 25 W

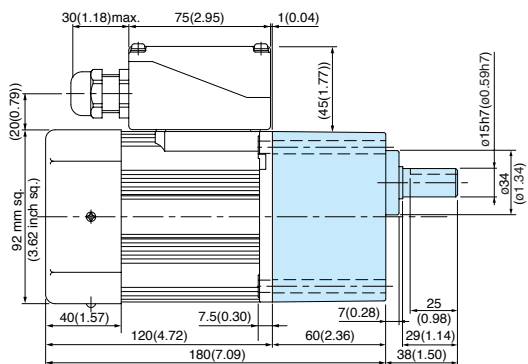
- M81X25GK4L + MX8G□B(M)
- M81X25GK4Y + MX8G□B(M)
- M81X25GK4LG(A) + MX8G□B(M)
- M81X25GK4DG(A) + MX8G□B(M)
- M81X25GK4YG(A) + MX8G□B(M)
- M81X25GK4GG(A) + MX8G□B(M)



* Diameter of applicable cabtyre cable to be ø8(ø0.31) to ø12(ø0.47).

90 mm sq. (3.54 inch sq.) 60 W

- M91Z60GK4L + MZ9G□B (MY9G□B)
- M91Z60GK4Y + MZ9G□B (MY9G□B)
- M91Z60GK4LG(A) + MZ9G□B (MY9G□B)
- M91Z60GK4DG(A) + MZ9G□B (MY9G□B)
- M91Z60GK4YG(A) + MZ9G□B (MY9G□B)
- M91Z60GK4GG(A) + MZ9G□B (MY9G□B)
- M91Z60GK4GGB + MZ9G□B (MY9G□B)
- M91Z60GK4GGC + MZ9G□B (MY9G□B)

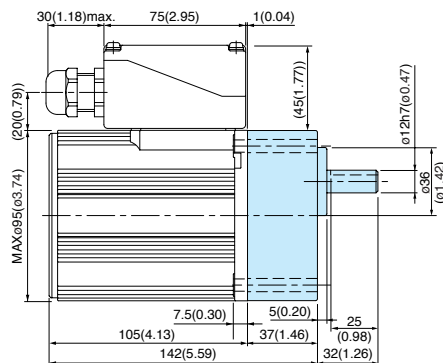


* Diameter of applicable cabtyre cable to be ø8(ø0.31) to ø12(ø0.47).

* Refer to page B-444 for high torque gear head.

90 mm sq. (3.54 inch sq.) 40 W

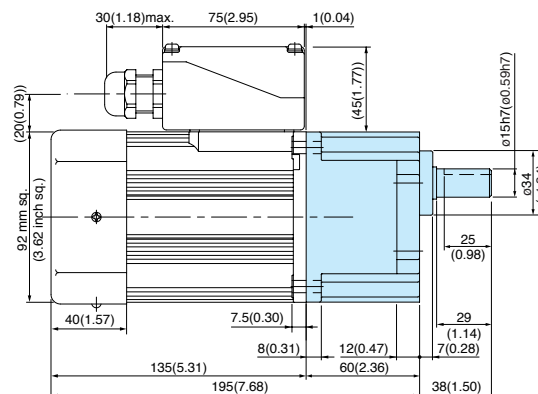
- M91X40GK4L + MX9G□B(M)
- M91X40GK4Y + MX9G□B(M)
- M91X40GK4LG(A) + MX9G□B(M)
- M91X40GK4DG(A) + MX9G□B(M)
- M91X40GK4YG(A) + MX9G□B(M)
- M91X40GK4GG(A) + MX9G□B(M)



* Diameter of applicable cabtyre cable to be ø8(ø0.31) to ø12(ø0.47).

90 mm sq. (3.54 inch sq.) 90 W

- M91Z90GK4L + MY9G□B (MZ9G□B)
- M91Z90GK4Y + MY9G□B (MZ9G□B)
- M91Z90GK4LG(A) + MY9G□B (MZ9G□B)
- M91Z90GK4DG(A) + MY9G□B (MZ9G□B)
- M91Z90GK4YG(A) + MY9G□B (MZ9G□B)
- M91Z90GK4GG(A) + MY9G□B (MZ9G□B)
- M91Z90GK4GGB + MY9G□B (MZ9G□B)
- M91Z90GK4GGC + MY9G□B (MZ9G□B)



* Diameter of applicable cabtyre cable to be ø8(ø0.31) to ø12(ø0.47).

* Refer to page B-444 for high torque gear head.

Induction motor (4-pole round shaft / leadwire)

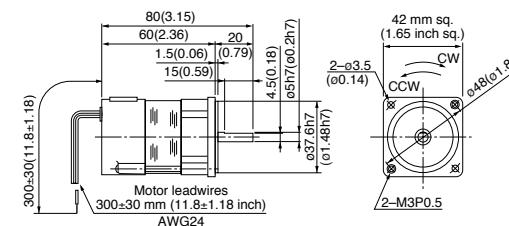
Dimensions

Scale: 1/4, Unit: mm (inch)

42 mm sq. (1.65 inch sq.) 1 W

Mass 0.3 kg (0.66 lb)

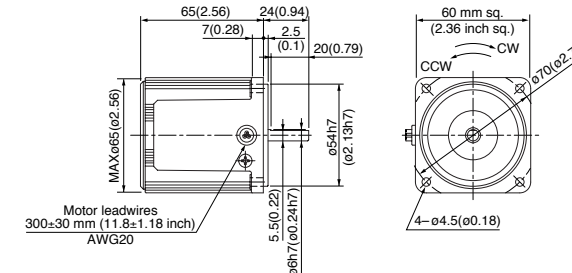
M41A1S4L



60 mm sq. (2.36 inch sq.) 3 W

Mass 0.56 kg (1.23 lb)

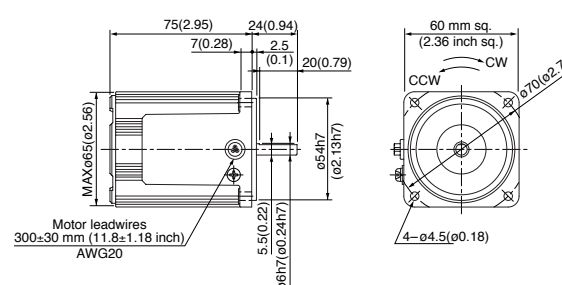
M61X3S4LS



60 mm sq. (2.36 inch sq.) 6 W

Mass 0.67 kg (1.48 lb)

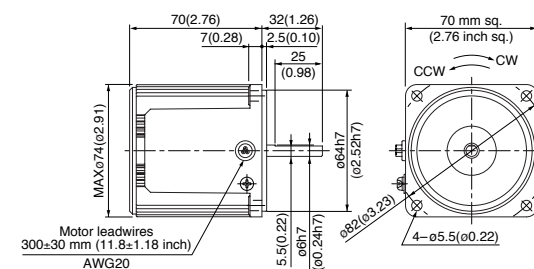
M61X6S4LS M61X6S4LG(A) M61X6S4YG(A)
M61X6S4YS M61X6S4DG(A) M61X6S4GG(A)



70 mm sq. (2.76 inch sq.) 10 W

Mass 0.84 kg (1.85 lb)

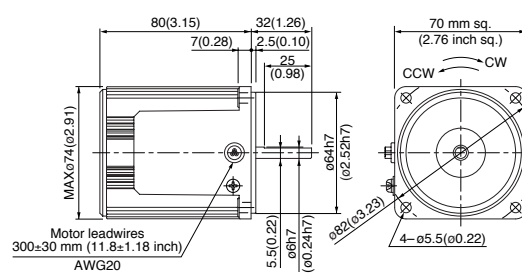
M71X10S4LS
M71X10S4YS



70 mm sq. (2.76 inch sq.) 15 W

Mass 1.1 kg (2.43 lb)

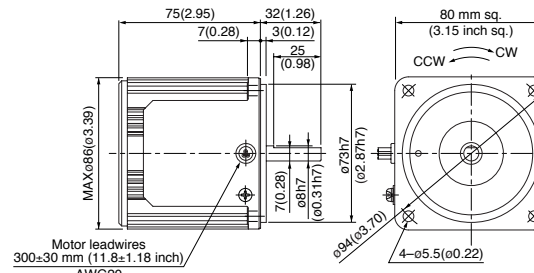
M71X15S4LS M71X15S4LG(A) M71X15S4YG(A)
M71X15S4YS M71X15S4DG(A) M71X15S4GG(A)



80 mm sq. (3.15 inch sq.) 15 W

Mass 1.2 kg (2.65 lb)

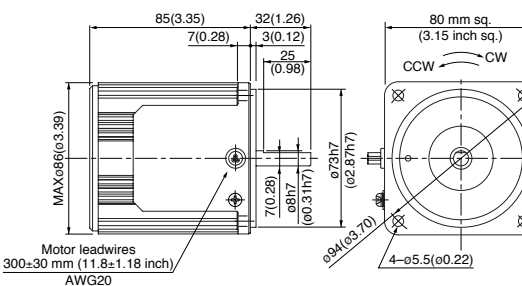
M81X15S4LS
M81X15S4YS



80 mm sq. (3.15 inch sq.) 25 W

Mass 1.5 kg (3.31 lb)

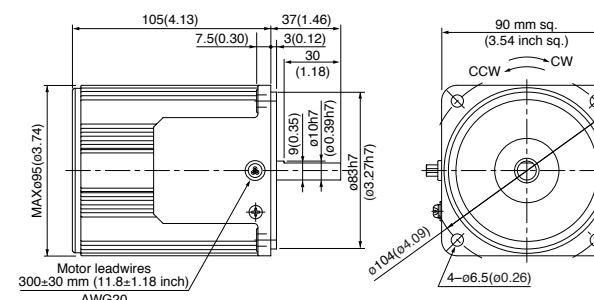
M81X25S4LS M81X25S4LG(A) M81X25S4YG(A)
M81X25S4YS M81X25S4DG(A) M81X25S4GG(A)



90 mm sq. (3.54 inch sq.) 40 W

Mass 2.4 kg (5.29 lb)

M91X40S4LS M91X40S4LG(A) M91X40S4YG(A)
M91X40S4YS M91X40S4DG(A) M91X40S4GG(A)



* The models with a motor model number to which "A" or "B" is suffixed are not equipped with a capacitor cap.
* The models with a motor model number to which "A" or "B" is suffixed are not sold or available in Japan.

* Please read your User's manual carefully so that you will understand the operation and safety precautions before attempting to operate the system.

* Please refer to the pinion shaft motor for wiring and specifications of the motor.

(Note) Because the dimensions may be subject to change, also check the determinate dimensions if the gear head is to be used for design.

Outline of reversible motor

Features

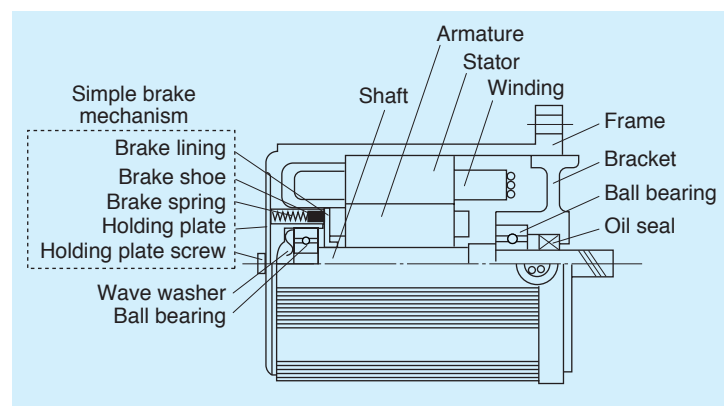
- A quick-reversal run is possible. <Single-phase motor>
- Because of balanced winding, it offers the same performance at both normal and reverse runs.
- The built-in simple brake mechanism makes the overrun small as compared with the induction motor, enabling a quick-reversal run.
- The time rating is 30 minutes.

Difference between induction motor and reversible motor: The reversible motor can make a quick-reversal run. In the case of the induction motor, even if the wire connections are changed for a reverse run, it is not possible to reverse the load instantaneously because the torque (shaded area in the figure below) acting in a direction opposite to the rotating magnetic field is produced. Therefore you need to stop the induction motor once, change the wire connections and make a reverse run.

(Note) • Limit the frequency of reversal operation to 6 cycles per minute.

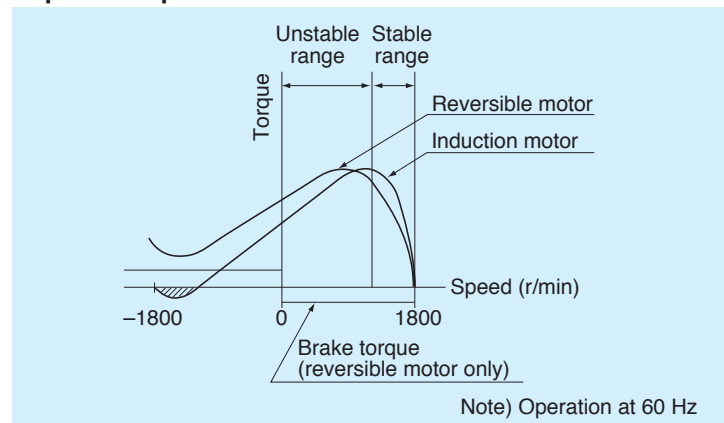
- If it is necessary that the frequency of reversal operation be 7 to 100 cycles per minute, use the C&B motor. (For running in one direction only)
- For applications that need holding, use the electromagnetic brake motor.

Construction

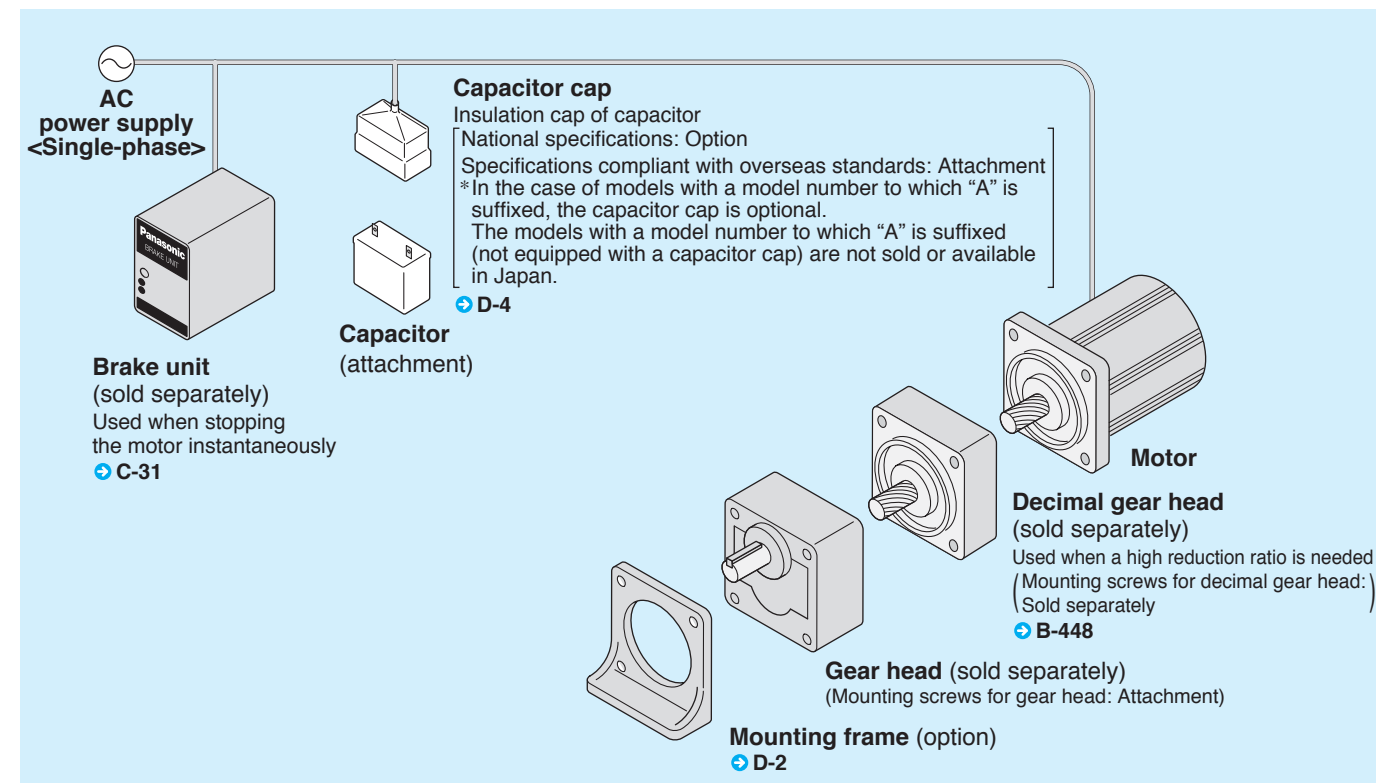


Characteristics

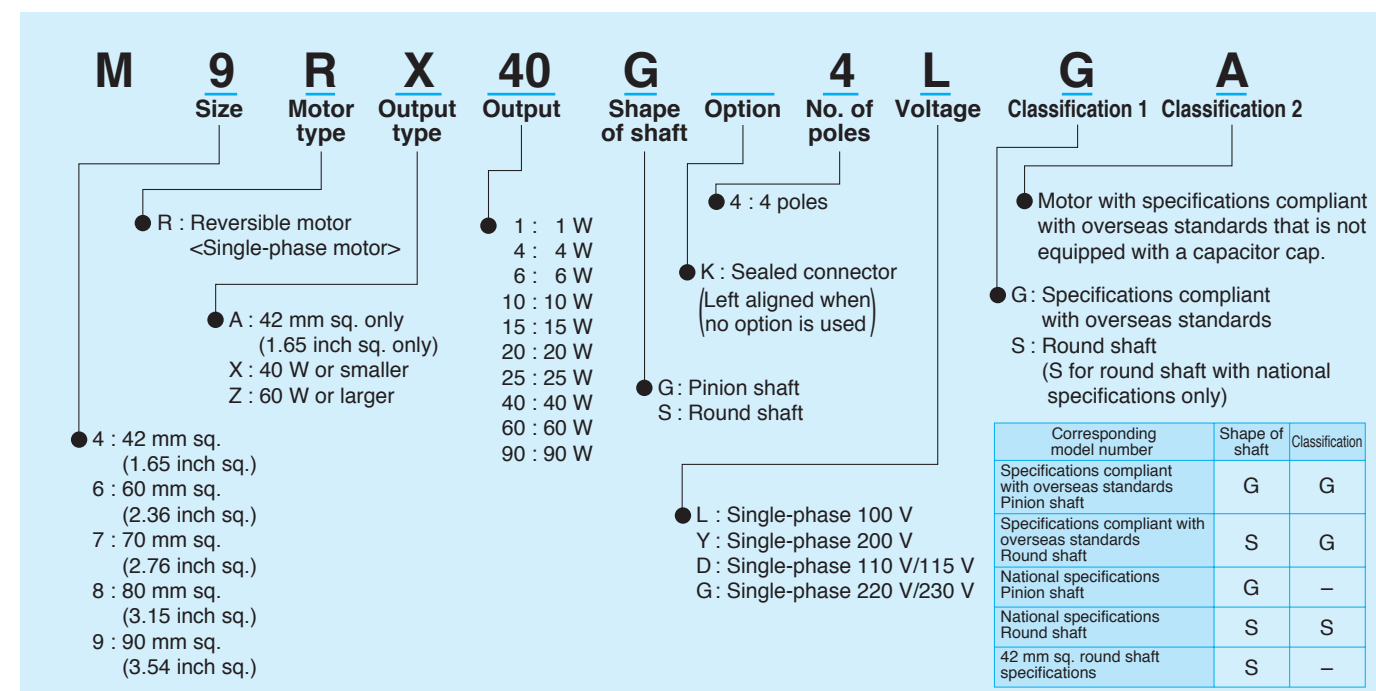
Speed-torque characteristics



System configuration diagram



Coding system



Fit tolerance

Fit tolerance symbol is used in the outside dimension diagram of motor and gear head. For further information, see "Fit tolerance" on page A-33.

Outline of reversible motor

Overrun

In the case of the reversible motor, braking power is applied by the simple brake mechanism when the power is turned off. An overrun is defined as a revolution which the motor makes when the power is turned off. The overrun and brake torque (motor not loaded, reference value) of the reversible motor are shown in the table below.

List of overruns of reversible motor

Size	42 mm sq. (1.65 inch sq.)		60 mm sq. (2.36 inch sq.)		70 mm sq. (2.76 inch sq.)		80 mm sq. (3.15 inch sq.)		90 mm sq. (3.54 inch sq.)		
Output	1 W	4 W	6 W	10 W	15 W	20 W	25 W	40 W	60 W	60 W	90 W
Motor model	M4RA1G4L	M6RX4G4L	M6RX6G4L M6RX6G4Y M6RX6G4LG(A) M6RX6G4DG(A) M6RX6G4YG(A) M6RX6G4GG(A)	M7RX10G4L M7RX10G4Y	M7RX15G4L M7RX15G4Y M7RX15G4LG(A) M7RX15G4DG(A) M7RX15G4YG(A) M7RX15G4GG(A)	M8RX20G4L M8RX20G4Y	M8RX25G4L M8RX25G4Y M8RX25G4LG(A) M8RX25G4DG(A) M8RX25G4YG(A) M8RX25G4GG(A)	M9RX40G4L M9RX40G4Y M9RX40G4LG(A) M9RX40G4DG(A) M9RX40G4YG(A) M9RX40G4GG(A)	M9RZ60G4L M9RZ60G4Y M9RZ60G4LG(A) M9RZ60G4DG(A) M9RZ60G4YG(A) M9RZ60G4GG(A)	M9RZ90G4L M9RZ90G4Y M9RZ90G4LG(A) M9RZ90G4DG(A) M9RZ90G4YG(A) M9RZ90G4GG(A)	
Brake torque $\times 10^{-2}$ N·m (oz·in)	0.196 (0.28)	0.588 (0.83)	0.588 (0.83)	1.27 (1.8)	1.27 (1.8)	1.47 (2.08)	1.47 (2.08)	3.92 (5.5)	3.92 (5.5)	3.92 (5.5)	
Overrun (revolution)	5.0	5.0	5.0	4.5	4.5	5.5	5.5	6.0	6.0	6.0	

(Note) The simple brake mechanism of the reversible motor cannot be used for positioning.
The simple brake mechanism of the reversible motor cannot be used for holding.

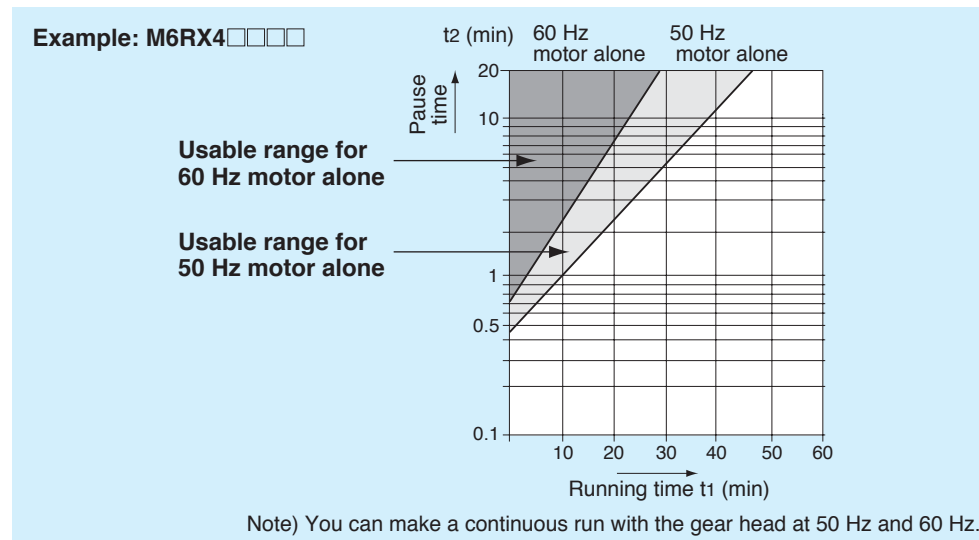
The brake torque of the reversible motor varies and changes over time.
When selecting a motor, do so allowing for such variations and changes.

Temperature rise of reversible motor

The reversible motor is of 30-minute rating when you run the motor alone, however, when you run it with the gear head or equipment, the continuous running time will be extended thanks to heat radiation effect. When you run the motor intermittently, the temperature rise will be saturated at a certain value depending on the cycle of intermittent running.

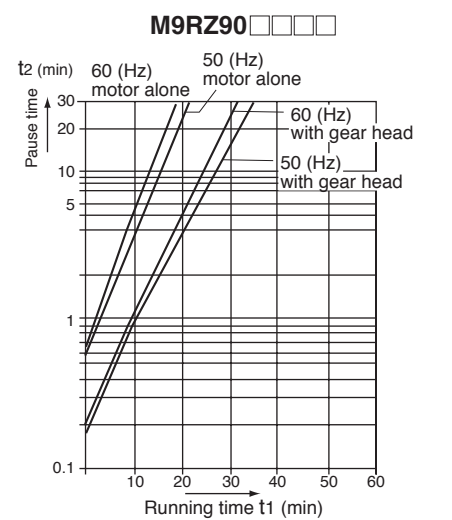
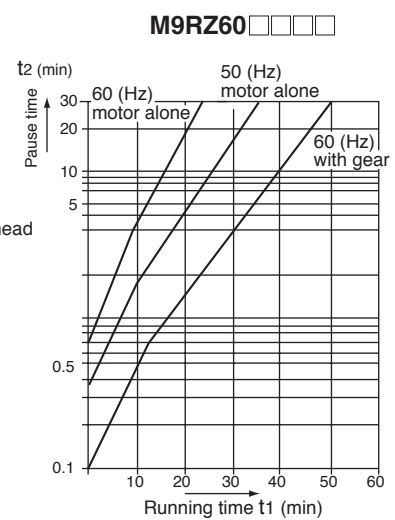
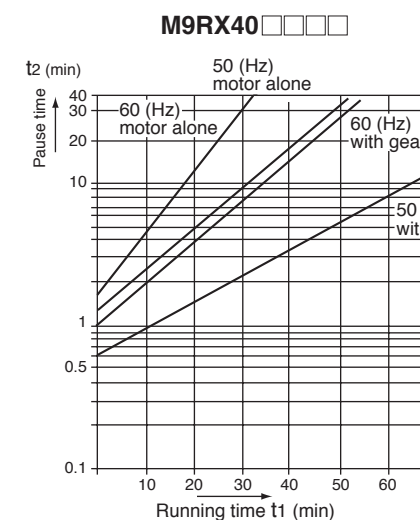
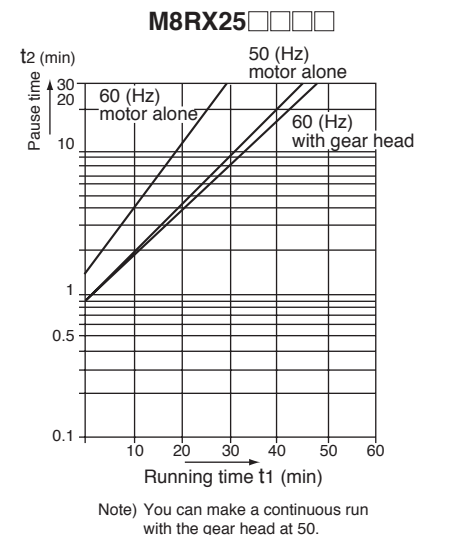
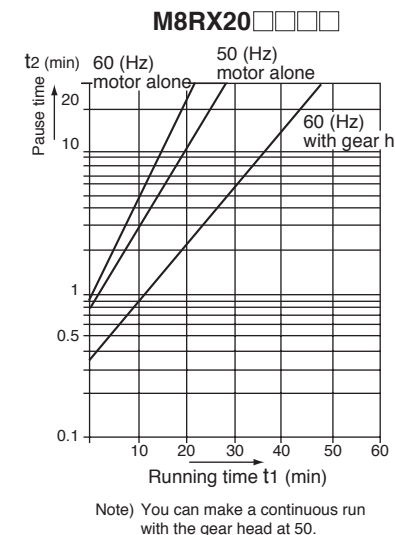
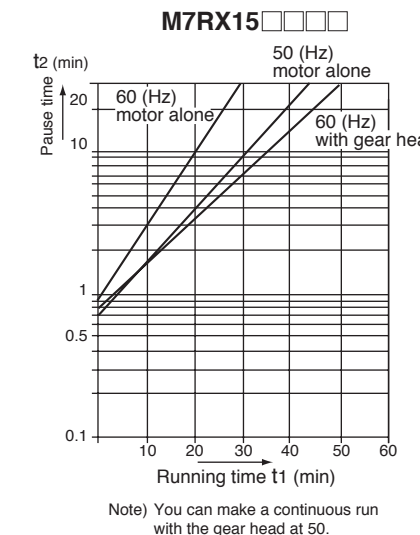
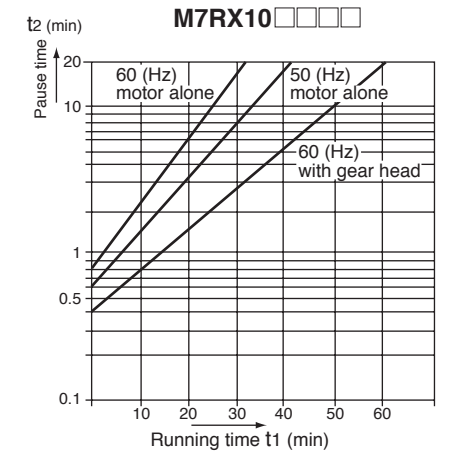
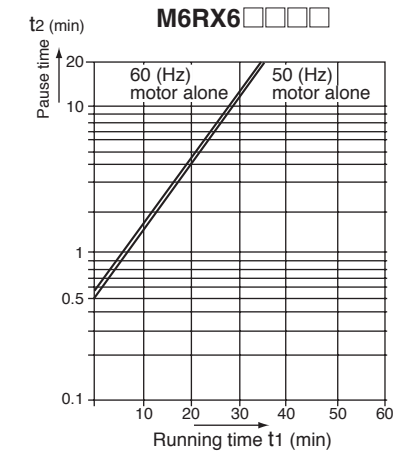
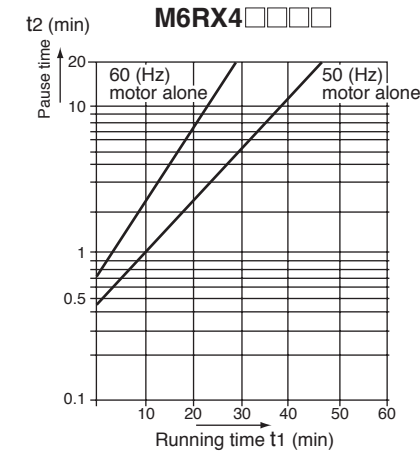
The limit of intermittent run of the reversible motor is shown in the table below.

How to read the limit of intermittent run of reversible motor



* You can run the motor in the range above the running limit line.

Limit of intermittent run of reversible motor




Model list of reversible motor

Pinion shaft motor

Applicable gear head

★ Motor compliant with overseas standards 

 Hinge attached

Size	Output (W)	Leadwire type			Sealed connector type			
		Model number	Specifications	Page	Model number	Specifications	Page	
42 mm sq. (1.65 inch sq.)	1	M4RA1G4L	100 V	B-72				
60 mm sq. (2.36 inch sq.)	4	M6RX4G4L	100 V	B-74				
		6	M6RX6G4L	100 V	B-76			
	M6RX6G4Y	200 V	B-76					
	M6RX6G4LG(A)	100 V ★	B-78					
	M6RX6G4DG(A)	110 V/115 V ★	B-78					
	M6RX6G4YG(A)	200 V ★	B-78					
M6RX6G4GG(A)	220 V/230 V ★	B-78						
70 mm sq. (2.76 inch sq.)	10	M7RX10G4L	100 V	B-80				
		M7RX10G4Y	200 V	B-80				
	15	M7RX15G4L	100 V	B-82				
		M7RX15G4Y	200 V	B-82				
		M7RX15G4LG(A)	100 V ★	B-84				
		M7RX15G4DG(A)	110 V/115 V ★	B-84				
		M7RX15G4YG(A)	200 V ★	B-84				
M7RX15G4GG(A)	220 V/230 V ★	B-84						
80 mm sq. (3.15 inch sq.)	20	M8RX20G4L	100 V	B-86				
		M8RX20G4Y	200 V	B-86				
	25	M8RX25G4L	100 V	B-88	M8RX25GK4L	100 V	B-104	
		M8RX25G4Y	200 V	B-88	M8RX25GK4Y	200 V	B-104	
		M8RX25G4LG(A)	100 V ★	B-90	M8RX25GK4LG(A)	100 V ★	B-106	
		M8RX25G4DG(A)	110 V/115 V ★	B-90	M8RX25GK4DG(A)	110 V/115 V ★	B-106	
		M8RX25G4YG(A)	200 V ★	B-90	M8RX25GK4YG(A)	200 V ★	B-106	
M8RX25G4GG(A)	220 V/230 V ★	B-90	M8RX25GK4GG(A)	220 V/230 V ★	B-106			
90 mm sq. (3.54 inch sq.)	40	M9RX40G4L	100 V	B-92	M9RX40GK4L	100 V	B-108	
		M9RX40G4Y	200 V	B-92	M9RX40GK4Y	200 V	B-108	
		M9RX40G4LG(A)	100 V ★	B-94	M9RX40GK4LG(A)	100 V ★	B-110	
		M9RX40G4DG(A)	110 V/115 V ★	B-94	M9RX40GK4DG(A)	110 V/115 V ★	B-110	
		M9RX40G4YG(A)	200 V ★	B-94	M9RX40GK4YG(A)	200 V ★	B-110	
		M9RX40G4GG(A)	220 V/230 V ★	B-94	M9RX40GK4GG(A)	220 V/230 V ★	B-110	
	60	M9RZ60G4L	100 V	B-96	M9RZ60GK4L	100 V	B-112	
		M9RZ60G4Y	200 V	B-96	M9RZ60GK4Y	200 V	B-112	
		M9RZ60G4LG(A)	100 V ★	B-98	M9RZ60GK4LG(A)	100 V ★	B-114	
		M9RZ60G4DG(A)	110 V/115 V ★	B-98	M9RZ60GK4DG(A)	110 V/115 V ★	B-114	
		M9RZ60G4YG(A)	200 V ★	B-98	M9RZ60GK4YG(A)	200 V ★	B-114	
		M9RZ60G4GG(A)	220 V/230 V ★	B-98	M9RZ60GK4GG(A)	220 V/230 V ★	B-114	
		90	M9RZ90G4L	100 V	B-100	M9RZ90GK4L	100 V	B-116
			M9RZ90G4Y	200 V	B-100	M9RZ90GK4Y	200 V	B-116
M9RZ90G4LG(A)	100 V ★		B-102	M9RZ90GK4LG(A)	100 V ★	B-118		
M9RZ90G4DG(A)	110 V/115 V ★		B-102	M9RZ90GK4DG(A)	110 V/115 V ★	B-118		
M9RZ90G4YG(A)	200 V ★		B-102	M9RZ90GK4YG(A)	200 V ★	B-118		
M9RZ90G4GG(A)	220 V/230 V ★		B-102	M9RZ90GK4GG(A)	220 V/230 V ★	B-118		

* The models with a motor model number to which "A" is suffixed are not equipped with a capacitor cap.
The models with a motor model number to which "A" is suffixed are not sold or available in Japan.

Standard gear head			High torque gear head	Right-angle gear head	Gear head -Inch (U.S.A.)	Decimal gear head
Ball bearing	Metal bearing	Ball and metal bearing				
—	—	M4G□F	—	—	—	—
MX6G□BA MX6G□B	MX6G□MA MX6G□M	—	—	—	MX6G□BU	MX6G10XB
MX7G□BA MX7G□B	MX7G□MA MX7G□M	—	—	—	MX7G□BU	MX7G10XB
MX8G□B	MX8G□M	—	—	—	MX8G□BU	MX8G10XB
MX9G□B	MX9G□M	—	—	MX9G□R	MX9G□BU	MX9G10XB
MZ9G□B	—	—	MR9G□B	—	—	—
MY9G□B	—	—	MP9G□B	MZ9G□R	MZ9G□BU	MZ9G10XB

* Refer to page B-444 for dimensions and permissible torque of high torque gear head.
Refer to page B-446 for dimensions and permissible torque of right-angle gear head.
Refer to page B-451 for dimensions and permissible torque of gear head -Inch (U.S.A.).
Refer to page B-448 for dimensions of decimal gear head.

Model list of reversible motor

Round shaft motor

★ Motor compliant with overseas standards cULus CE CCC
 Ⓟ Electrical Appliance and Material Safety Law

Size	Output (W)	Leadwire type		Sealed connector type	
		Model number	Specifications	Model number	Specifications
42 mm sq. (1.65 inch sq.)	1	M4RA1S4L	100 V		
60 mm sq. (2.36 inch sq.)	4	M6RX4S4LS	100 V		
		M6RX6S4LS	100 V		
	6	M6RX6S4YS	200 V		
		M6RX6S4LG(A)	100 V ★		
		M6RX6S4DG(A)	110 V/115 V ★		
		M6RX6S4YG(A)	200 V ★		
		M6RX6S4GG(A)	220 V/230 V ★		
70 mm sq. (2.76 inch sq.)	10	M7RX10S4LS	100 V		
		M7RX10S4YS	200 V		
	15	M7RX15S4LS	100 V		
		M7RX15S4YS	200 V		
		M7RX15S4LG(A)	100 V ★		
		M7RX15S4DG(A)	110 V/115 V ★		
		M7RX15S4YG(A)	200 V ★		
		M7RX15S4GG(A)	220 V/230 V ★		
80 mm sq. (3.15 inch sq.)	20	M8RX20S4LS	100 V		
		M8RX20S4YS	200 V		
	25	M8RX25S4LS	100 V	M8RX25SK4LS	100 V Ⓟ
		M8RX25S4YS	200 V	M8RX25SK4YS	200 V Ⓟ
		M8RX25S4LG(A)	100 V ★	M8RX25SK4LG(A)	100 V ★ Ⓟ
		M8RX25S4DG(A)	110 V/115 V ★	M8RX25SK4DG(A)	110 V/115 V ★
		M8RX25S4YG(A)	200 V ★	M8RX25SK4YG(A)	200 V ★ Ⓟ
		M8RX25S4GG(A)	220 V/230 V ★	M8RX25SK4GG(A)	220 V/230 V ★
90 mm sq. (3.54 inch sq.)	40	M9RX40S4LS	100 V	M9RX40SK4LS	100 V Ⓟ
		M9RX40S4YS	200 V	M9RX40SK4YS	200 V Ⓟ
		M9RX40S4LG(A)	100 V ★	M9RX40SK4LG(A)	100 V ★ Ⓟ
		M9RX40S4DG(A)	110 V/115 V ★	M9RX40SK4DG(A)	110 V/115 V ★
		M9RX40S4YG(A)	200 V ★	M9RX40SK4YG(A)	200 V ★ Ⓟ
		M9RX40S4GG(A)	220 V/230 V ★	M9RX40SK4GG(A)	220 V/230 V ★
	60	M9RZ60S4LS	100 V	M9RZ60SK4LS	100 V Ⓟ
		M9RZ60S4YS	200 V	M9RZ60SK4YS	200 V Ⓟ
		M9RZ60S4LG(A)	100 V ★	M9RZ60SK4LG(A)	100 V ★ Ⓟ
		M9RZ60S4DG(A)	110 V/115 V ★	M9RZ60SK4DG(A)	110 V/115 V ★
		M9RZ60S4YG(A)	200 V ★	M9RZ60SK4YG(A)	200 V ★ Ⓟ
		M9RZ60S4GG(A)	220 V/230 V ★	M9RZ60SK4GG(A)	220 V/230 V ★
	90	M9RZ90S4LS	100 V	M9RZ90SK4LS	100 V Ⓟ
		M9RZ90S4YS	200 V	M9RZ90SK4YS	200 V Ⓟ
		M9RZ90S4LG(A)	100 V ★	M9RZ90SK4LG(A)	100 V ★ Ⓟ
		M9RZ90S4DG(A)	110 V/115 V ★	M9RZ90SK4DG(A)	110 V/115 V ★
		M9RZ90S4YG(A)	200 V ★	M9RZ90SK4YG(A)	200 V ★ Ⓟ
		M9RZ90S4GG(A)	220 V/230 V ★	M9RZ90SK4GG(A)	220 V/230 V ★

* The specifications and wire connections of the round shaft motor are the same as those of the pinion shaft motor.
 Dimensional outline drawing → Page B-123.

* The models with a motor model number to which "A" is suffixed are not equipped with a capacitor cap.
 The models with a motor model number to which "A" is suffixed are not sold or available in Japan.

Specifications

Size	Motor model No.	Number of pole (P)	Output (W)	Voltage (V)	Frequency (Hz)	Rating (min)	Rating				Starting current (A)	Starting torque N-m (oz-in)	Capacitor (μF) (rated voltage)
							Input (W)	Current (A)	Speed (r/min)	Torque N-m (oz-in)			
60 mm sq.	M6RX6G4L	4	6	100	50	30	22	0.23	1250	0.047 (6.66)	0.30	0.050 (7.08)	3.5 (200 V)
					60		22	0.22	1575	0.037 (5.24)	0.31	0.052 (7.36)	
	M6RX6G4Y	4	6	200	50	30	22	0.11	1275	0.045 (6.37)	0.16	0.053 (7.50)	0.9 (400 V)
					60		22	0.12	1600	0.036 (5.10)	0.16	0.053 (7.50)	

* The specifications and wire connections of the round shaft motor are the same as those of the pinion shaft type. For the dimensional outline drawing, refer to page B-123.

Permissible torque at output shaft of gear head

* The speed shown below is a calculated value based on the synchronous rotational speed. Depending on the load, the speed is less than the indicated value by 2 % to 20 %.

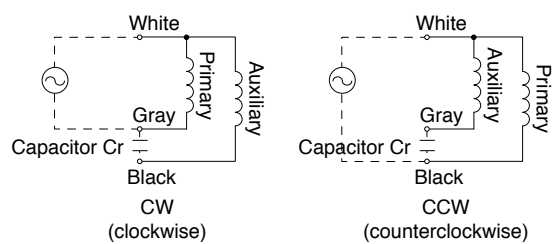
Unit of permissible torque: upper (N·m) / lower (lb·in)

Reduction ratio	Unit of permissible torque: upper (N·m) / lower (lb·in)																								
	3	3.6	5	6	7.5	9	10	12.5	15	18	20	25	30	36	50	60	75	90	100	120	150	180			
Speed (r/min)	50 Hz	500	416.7	300	250	200	166.7	150	120	100	83.3	75	60	50	41.7	30	25	20	16.7	15	12.5	10	8.3		
	60 Hz	600	500	360	300	240	200	180	144	120	100	90	72	60	50	36	30	24	20	18	15	12	10		
Applicable gear head	MX6G3BA to MX6G180B (ball bearing)	50 Hz	0.098 (0.87)	0.12 (1.06)	0.16 (1.42)	0.19 (1.68)	0.25 (2.21)	0.29 (2.57)	0.33 (2.92)	0.40 (3.54)	0.49 (4.34)	0.59 (5.22)	0.66 (5.84)	0.79 (6.99)	0.95 (8.41)	1.18 (10.4)	1.57 (13.9)	1.86 (16.5)	2.25 (19.9)	2.45 (21.7)					
		60 Hz	0.081 (0.72)	0.098 (0.87)	0.13 (1.15)	0.16 (1.42)	0.21 (1.86)	0.25 (2.21)	0.26 (2.30)	0.33 (2.92)	0.40 (3.54)	0.49 (4.34)	0.53 (4.69)	0.66 (5.84)	0.79 (6.99)	0.95 (8.41)	1.27 (11.2)	1.57 (13.9)	1.86 (16.5)	2.25 (19.9)	2.45 (21.7)				
	MX6G3MA to MX6G180M (metal bearing)	50 Hz	0.098 (0.87)	0.12 (1.06)	0.16 (1.42)	0.19 (1.68)	0.25 (2.21)	0.29 (2.57)	0.33 (2.92)	0.40 (3.54)	0.49 (4.34)	0.59 (5.22)	0.66 (5.84)	0.79 (6.99)	0.95 (8.41)	1.18 (10.4)	1.57 (13.9)	1.86 (16.5)	2.25 (19.9)	2.45 (21.7)					
	MX6G3MA to MX6G180M (metal bearing)	60 Hz	0.081 (0.72)	0.098 (0.87)	0.13 (1.15)	0.16 (1.42)	0.21 (1.86)	0.25 (2.21)	0.26 (2.30)	0.33 (2.92)	0.40 (3.54)	0.49 (4.34)	0.53 (4.69)	0.66 (5.84)	0.79 (6.99)	0.95 (8.41)	1.27 (11.2)	1.57 (13.9)	1.86 (16.5)	2.25 (19.9)	2.45 (21.7)				
Rotational direction	Same as motor rotational direction											Reverse to motor rotational direction													

Permissible torque at output shaft of gear head using decimal gear head

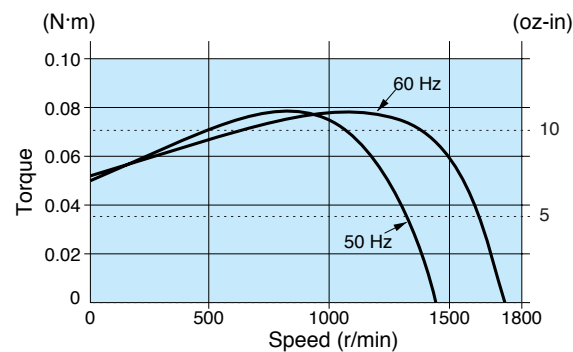
Applicable gear head		Reduction ratio	Reduction ratio																									
Bearing	Decimal gear head		Speed (r/min)	200		250		300		360		500		600		750		900		1000		1200		1500		1800		
		50 Hz		60 Hz	7.5	6	5	4.2	3	2.5	2	1.7	1.5	1.3	1	0.8	2.45	2.45	2.45	2.45	2.45	2.45	2.45	2.45	2.45	2.45	2.45	2.45
MX6G□BA (ball bearing)	MX6G10XB	Permissible torque	N-m (lb-in)	2.45 (21.7)	2.45 (21.7)	2.45 (21.7)	2.45 (21.7)	2.45 (21.7)	2.45 (21.7)	2.45 (21.7)	2.45 (21.7)	2.45 (21.7)	2.45 (21.7)	2.45 (21.7)	2.45 (21.7)	2.45 (21.7)	2.45 (21.7)	2.45 (21.7)	2.45 (21.7)	2.45 (21.7)	2.45 (21.7)	2.45 (21.7)	2.45 (21.7)	2.45 (21.7)	2.45 (21.7)	2.45 (21.7)	2.45 (21.7)	
MX6G□B (ball bearing)			Rotational direction	Same as motor rotational direction											Reverse to motor rotational direction													
MX6G□MA (metal bearing)																												
MX6G□M (bearing)																												

Connection diagram



Speed-torque characteristics

M6RX6G4L

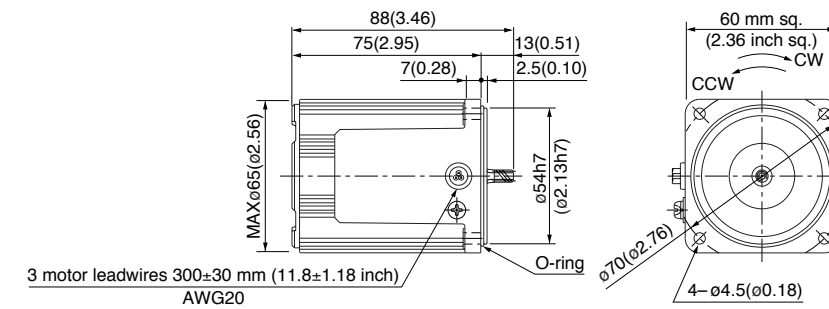


Motor (dimensions)

Scale: 1/3, Unit: mm (inch)

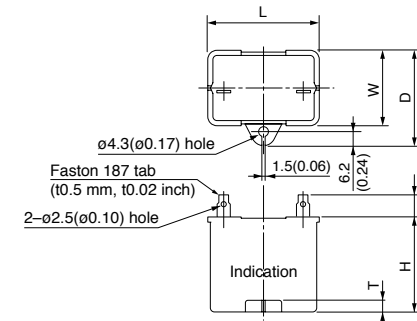
M6RX6G4L 4P 6 W 100 V
M6RX6G4Y 4P 6 W 200 V

Mass 0.67 kg 1.48 lb
Helical gear
Module 0.5
Number of teeth 6



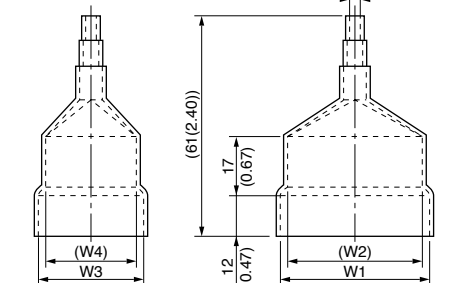
Capacitor (dimensions) [attachment]

Unit: mm (inch)



Capacitor cap (dimensions) [option]

Unit: mm (inch)



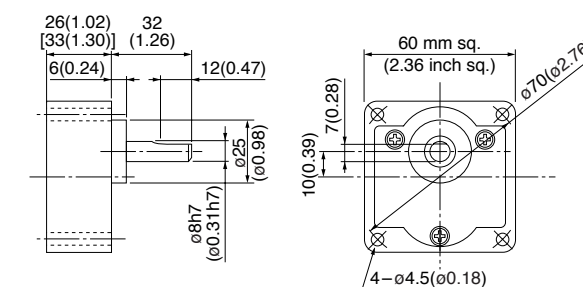
Capacitor dimension list Unit: upper (mm) / lower (inch)

Model number of motor	Model number of capacitor (attachment)	L	W	D	H	T	Capacitor cap (option)	W1	W2	W3	W4
M6RX6G4L	M0PC3.5M20	39.5 (1.56)	16 (0.63)	26.5 (1.04)	30.5 (1.20)	4 (0.16)	M0PC3917	39.5 (1.56)	37.5 (1.48)	17 (0.67)	15 (0.59)
M6RX6G4Y	M0PC0.9M40	39.5 (1.56)	16.2 (0.64)	27 (1.06)	27 (1.06)	4 (0.16)	M0PC3917	39.5 (1.56)	37.5 (1.48)	17 (0.67)	15 (0.59)

Gear head (dimensions)

Scale: 1/3, Unit: mm (inch)

MX6G□BA (ball bearing) Mass 0.24 kg (0.53 lb): Output shaft D cut
MX6G□MA (metal bearing) Mass 0.24 kg (0.53 lb): Output shaft D cut
MX6G□B (ball bearing) Mass 0.3 kg (0.66 lb): Output shaft D cut
MX6G□M (metal bearing) Mass 0.3 kg (0.66 lb): Output shaft D cut



* Figures in [] represent the dimensions of MX6G□B (M) (1/30 or larger reduction ratio).

(The model number of the gear head with a reduction ratio of 1/25 or smaller is MX6G□BA (MA).)

(Note) Because the dimensions may be subject to change, also check the determinate dimensions if the gear head is to be used for design.

* Please read your User's manual carefully so that you will understand the operation and safety precautions before attempting to operate the system.

Reversible motor (leadwire)

60 mm (2.36 inch) sq. 6 W

Specifications

Size	Motor model No.	Number of pole (P)	Output (W)	Voltage (V)	Frequency (Hz)	Rating (min)	Rating				Starting current (A)	Starting torque N·m (oz-in)	Capacitor (μF) (rated voltage)
							Input (W)	Current (A)	Speed (r/min)	Torque N·m (oz-in)			
60 mm sq.	M6RX6G4LG M6RX6G4LGA	4	6	100	50	30	24	0.24	1300	0.044 (6.23)	0.33	0.060 (8.50)	4 (250 V)
					60		26	0.26	1600	0.036 (5.10)	0.35	0.060 (8.50)	
	M6RX6G4DG M6RX6G4DGA	4	6	110	30	24	0.22	1600	0.036 (5.10)	0.34	0.056 (7.93)	3 (250 V)	
				60		26	0.23	1625	0.035 (4.96)	0.35	0.060 (8.50)		
	M6RX6G4YG M6RX6G4YGA	4	6	200	30	24	0.12	1250	0.046 (6.51)	0.15	0.060 (8.50)	1 (450 V)	
				60		28	0.14	1550	0.037 (5.24)	0.16	0.060 (8.50)		
	M6RX6G4GG M6RX6G4GGA	4	6	220	30	24	0.11	1275	0.045 (6.37)	0.15	0.056 (7.93)	0.8 (450 V)	
				60		26	0.12	1575	0.036 (5.10)	0.15	0.056 (7.93)		
				230		26	0.12	1300	0.044 (6.23)	0.15	0.060 (8.50)		
				60		28	0.12	1600	0.036 (5.10)	0.16	0.060 (8.50)		
				60		24	0.11	1275	0.045 (6.37)	0.15	0.056 (7.93)		
				60		26	0.12	1575	0.036 (5.10)	0.15	0.056 (7.93)		

The specifications and wire connections of the round shaft motor are the same as those of the pinion shaft type. For the dimensional outline drawing, refer to page B-123.

The models with a motor model number to which "A" is suffixed are not equipped with a capacitor cap. The models with a motor model number to which "A" is suffixed are not sold or available in Japan.

Permissible torque at output shaft of gear head

* The speed shown below is a calculated value based on the synchronous rotational speed. Depending on the load, the speed is less than the indicated value by 2% to 20%.

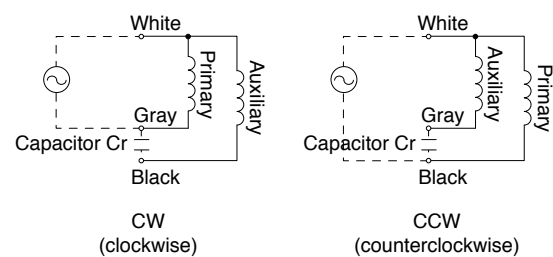
Unit of permissible torque: upper (N·m) / lower (lb-in)

Reduction ratio	Unit of permissible torque: upper (N·m) / lower (lb-in)																							
	3	3.6	5	6	7.5	9	10	12.5	15	18	20	25	30	36	50	60	75	90	100	120	150	180		
Speed (r/min)	[Data omitted for brevity]																							
Applicable gear head	MX6G3BA to MX6G180B (ball bearing)												MX6G3MA to MX6G180M (metal bearing)											
Rotational direction	Same as motor rotational direction												Reverse to motor rotational direction											

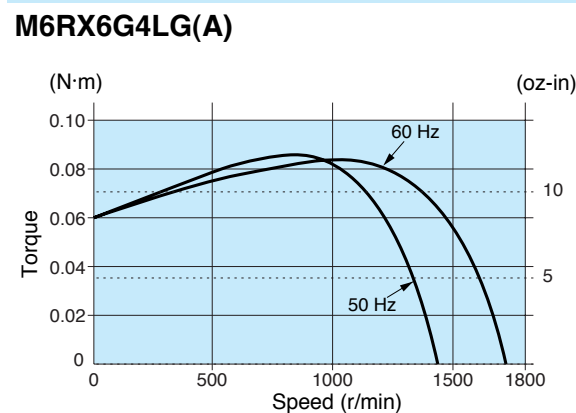
Permissible torque at output shaft of gear head using decimal gear head

Applicable gear head	Reduction ratio	Permissible torque																		
		200	250	300	360	500	600	750	900	1000	1200	1500	1800							
Bearing	Decimal gear head	Speed (r/min)	[Data omitted]																	
		50 Hz	[Data omitted]																	
MX6G□BA (ball bearing)	MX6G10XB	Permissible torque	N·m (lb-in)		[Data omitted]															
			Rotational direction		Same as motor rotational direction		Reverse to motor rotational direction													

Connection diagram



Speed-torque characteristics

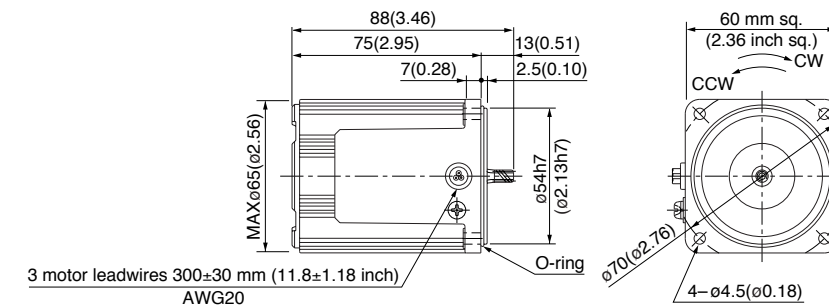


Motor (dimensions)

Scale: 1/3, Unit: mm (inch)

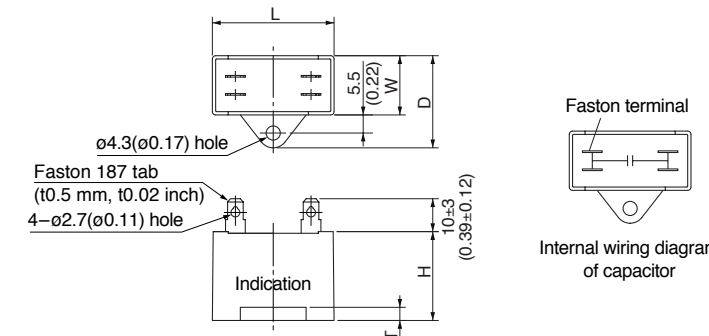
M6RX6G4LG(A)	4P 6 W 100 V
M6RX6G4DG(A)	4P 6 W 110 V / 115 V
M6RX6G4YG(A)	4P 6 W 200 V
M6RX6G4GG(A)	4P 6 W 220 V / 230 V

Mass	Helical gear	Module	Number of teeth
0.67 kg 1.48 lb		0.5	6



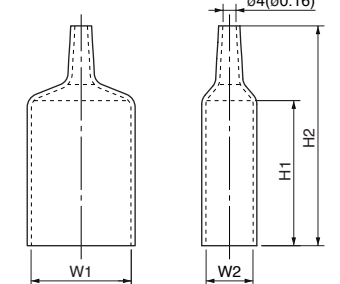
Capacitor (dimensions) [attachment]

Unit: mm (inch)



Capacitor cap (dimensions) [attachment]

Unit: mm (inch)



Capacitor dimension list

Unit: upper (mm) / lower (inch)

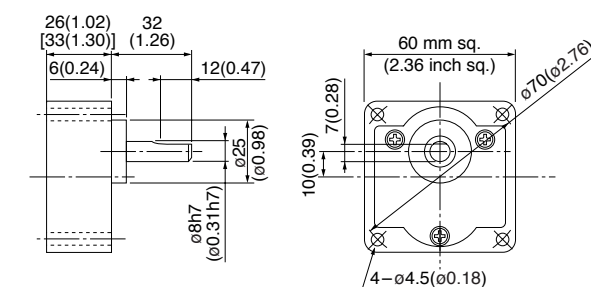
Model number of motor	Model number of capacitor (attachment)	L	W	D	H	T	Capacitor cap (attachment)	W1	W2	H1	H2
M6RX6G4LG(A)	M0PC4M25G	37 (1.46)	18 (0.71)	28 (1.10)	27 (1.06)	4 (0.16)	M0PC3718G	37 (1.46)	18 (0.71)	50 (1.97)	73 (2.87)
M6RX6G4DG(A)	M0PC3M25G	31 (1.22)	17 (0.67)	27 (1.06)	27 (1.06)	4 (0.16)	M0PC3117G	31 (1.22)	17 (0.67)	50 (1.97)	73 (2.87)
M6RX6G4YG(A)	M0PC1M45G	37 (1.46)	18 (0.71)	28 (1.10)	27 (1.06)	4 (0.16)	M0PC3718G	37 (1.46)	18 (0.71)	50 (1.97)	73 (2.87)
M6RX6G4GG(A)	M0PC0.8M45G	31 (1.22)	17 (0.67)	27 (1.06)	27 (1.06)	4 (0.16)	M0PC3117G	31 (1.22)	17 (0.67)	50 (1.97)	73 (2.87)

* The models with a motor model number to which "A" is suffixed are not equipped with a capacitor cap.

Gear head (dimensions)

Scale: 1/3, Unit: mm (inch)

MX6G□BA (ball bearing)	Mass 0.24 kg (0.53 lb): Output shaft D cut	MX6G□B (ball bearing)	Mass 0.3 kg (0.66 lb): Output shaft D cut
MX6G□MA (metal bearing)	Mass 0.24 kg (0.53 lb): Output shaft D cut	MX6G□M (metal bearing)	Mass 0.3 kg (0.66 lb): Output shaft D cut



* Figures in [] represent the dimensions of MX6G□B (M) (1/30 or larger reduction ratio).

(The model number of the gear head with a reduction ratio of 1/25 or smaller is MX6G□BA (MA).)

(Note) Because the dimensions may be subject to change, also check the determinate dimensions if the gear head is to be used for design.

* Please read your User's manual carefully so that you will understand the operation and safety precautions before attempting to operate the system.

Specifications

Size	Motor model No.	Number of pole (P)	Output (W)	Voltage (V)	Frequency (Hz)	Rating (min)	Rating				Starting current (A)	Starting torque N-m (oz-in)	Capacitor (μF) (rated voltage)
							Input (W)	Current (A)	Speed (r/min)	Torque N-m (oz-in)			
70 mm sq.	M7RX15G4L	4	15	100	50	30	36	0.37	1275	0.110 (15.6)	0.59	0.085 (12.0)	6 (200 V)
							37	0.38	1575	0.088 (12.5)	0.57	0.085 (12.0)	
	M7RX15G4Y	4	15	200	50	30	36	0.19	1275	0.110 (15.6)	0.30	0.078 (11.0)	1.5 (400 V)
							37	0.19	1575	0.088 (12.5)	0.29	0.078 (11.0)	

* The specifications and wire connections of the round shaft motor are the same as those of the pinion shaft type. For the dimensional outline drawing, refer to page B-123.

Permissible torque at output shaft of gear head

* The speed shown below is a calculated value based on the synchronous rotational speed. Depending on the load, the speed is less than the indicated value by 2% to 20%.

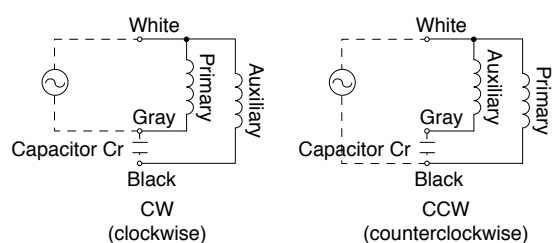
Unit of permissible torque: upper (N·m) / lower (lb-in)

Reduction ratio	Unit of permissible torque: upper (N·m) / lower (lb-in)																						
	3	3.6	5	6	7.5	9	10	12.5	15	18	20	25	30	36	50	60	75	90	100	120	150	180	
Speed (r/min)	50 Hz	500	416.7	300	250	200	166.7	150	120	100	83.3	75	60	50	41.7	30	25	20	16.7	15	12.5	10	8.3
	60 Hz	600	500	360	300	240	200	180	144	120	100	90	72	60	50	36	30	24	20	18	15	12	10
Applicable gear head	MX7G3BA to MX7G180B (ball bearing)	50 Hz	0.24 (2.12)	0.28 (2.48)	0.39 (3.45)	0.47 (4.16)	0.59 (5.22)	0.71 (6.28)	0.80 (7.08)	0.98 (8.67)	1.18 (10.4)	1.37 (12.1)	1.57 (13.9)	1.86 (16.5)	2.25 (19.9)	2.74 (24.3)	3.82 (33.8)	4.61 (40.8)	4.90 (43.4)				
		60 Hz	0.20 (1.77)	0.24 (2.12)	0.32 (2.83)	0.39 (3.45)	0.49 (4.34)	0.59 (5.22)	0.66 (5.84)	0.81 (7.17)	0.98 (8.67)	1.18 (10.4)	1.27 (11.2)	1.57 (13.9)	1.86 (16.5)	2.25 (19.9)	3.23 (28.6)	3.82 (33.8)	4.80 (42.5)	4.90 (43.4)			
Rotational direction		Same as motor rotational direction											Reverse to motor rotational direction										

Permissible torque at output shaft of gear head using decimal gear head

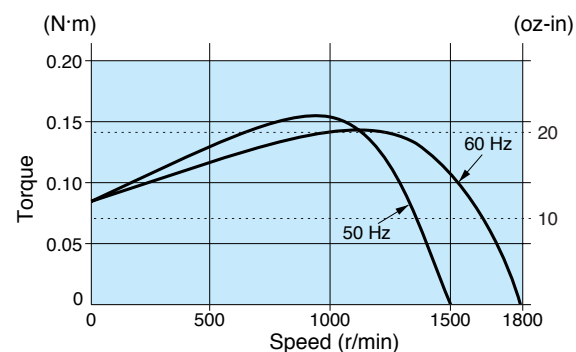
Applicable gear head		Reduction ratio	Unit of permissible torque: upper (N·m) / lower (lb-in)													
Bearing	Decimal gear head		Speed (r/min)	50 Hz	7.5	6	5	4.2	3	2.5	2	1.7	1.5	1.3	1	0.8
MX7G□BA (ball bearing)	MX7G10XB	Permissible torque	50 Hz	4.90 (43.4)	4.90 (43.4)	4.90 (43.4)	4.90 (43.4)	4.90 (43.4)	4.90 (43.4)	4.90 (43.4)	4.90 (43.4)	4.90 (43.4)	4.90 (43.4)	4.90 (43.4)	4.90 (43.4)	4.90 (43.4)
MX7G□B (ball bearing)			60 Hz	9 (7.2)	6 (5)	5 (3.6)	4.2 (3.6)	3 (2.4)	2.5 (2)	2 (1.5)	1.7 (1.3)	1.5 (1.1)	1.3 (0.9)	1 (0.7)	0.8 (0.6)	
MX7G□MA (metal bearing)		Rotational direction	Same as motor rotational direction	Reverse to motor rotational direction												
MX7G□M (bearing)																

Connection diagram



Speed-torque characteristics

M7RX15G4L



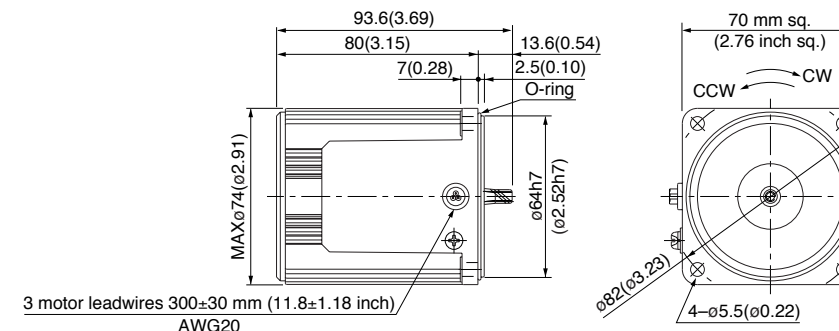
* Please read your User's manual carefully so that you will understand the operation and safety precautions before attempting to operate the system.

Motor (dimensions)

Scale: 1/3, Unit: mm (inch)

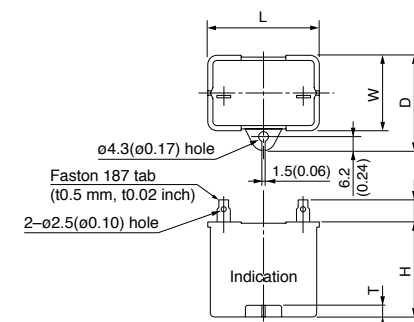
M7RX15G4L	4P 15 W 100 V
M7RX15G4Y	4P 15 W 200 V

Mass	Helical gear	Module	Number of teeth
1.1 kg (2.43 lb)		0.5	7



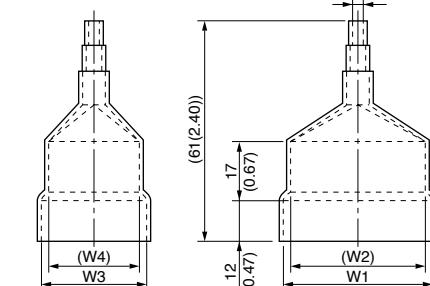
Capacitor (dimensions) [attachment]

Unit: mm (inch)



Capacitor cap (dimensions) [option]

Unit: mm (inch)



Capacitor dimension list Unit: upper (mm) / lower (inch)

Model number of motor	Model number of capacitor (attachment)	L	W	D	H	T	Capacitor cap (option)	W1	W2	W3	W4
M7RX15G4L	M0PC6M20	39.5 (1.56)	17.5 (0.69)	28 (1.10)	30.5 (1.20)	4 (0.16)	M0PC3917	39.5 (1.56)	37.5 (1.48)	17 (0.67)	15 (0.59)
M7RX15G4Y	M0PC1.5M40	39.5 (1.56)	22 (0.87)	32.5 (1.28)	32.5 (1.28)	4 (0.16)	M0PC3922	39.5 (1.56)	37.5 (1.48)	22 (0.87)	20 (0.79)

Gear head (dimensions)

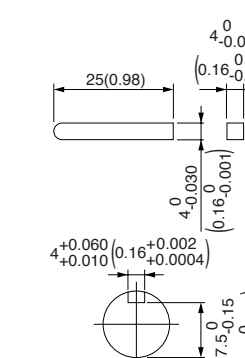
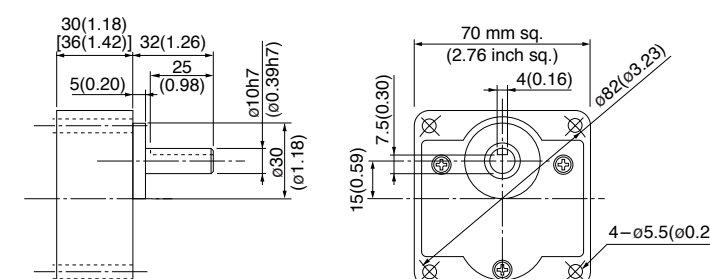
Scale: 1/3, Unit: mm (inch)

MX7G□BA (ball bearing)	Mass 0.38 kg (0.84 lb)
MX7G□MA (metal bearing)	Mass 0.38 kg (0.84 lb)

MX7G□B (ball bearing)	Mass 0.45 kg (0.99 lb)
MX7G□M (metal bearing)	Mass 0.45 kg (0.99 lb)

Key and keyway (dimensions) [attachment]

MX7G□BA(B)	Key width 25 (0.98)
MX7G□MA(M)	Key width 25 (0.98)



* Figures in [] represent the dimensions of MX7G□B (M) (1/30 or larger reduction ratio).

(The model number of the gear head with a reduction ratio of 1/25 or smaller is MX7G□BA (MA).)

(Note) Because the dimensions may be subject to change, also check the determinate dimensions if the gear head is to be used for design.

Specifications

Size	Motor model No.	Number of pole (P)	Output (W)	Voltage (V)	Frequency (Hz)	Rating (min)	Rating				Starting current (A)	Starting torque N-m (oz-in)	Capacitor (μF) (rated voltage)
							Input (W)	Current (A)	Speed (r/min)	Torque N-m (oz-in)			
80 mm sq.	M8RX20G4L	4	20	100	50	30	51	0.52	1100	0.17 (24.1)	0.73	0.12 (17.0)	7 (200 V)
							48	0.47	1475	0.13 (18.4)	0.71	0.12 (17.0)	
	M8RX20G4Y	4	20	200	50	30	52	0.26	1100	0.17 (24.1)	0.37	0.13 (18.4)	1.8 (400 V)
							48	0.24	1475	0.13 (18.4)	0.36	0.13 (18.4)	

* The specifications and wire connections of the round shaft motor are the same as those of the pinion shaft type. For the dimensional outline drawing, refer to page B-123.

Permissible torque at output shaft of gear head

* The speed shown below is a calculated value based on the synchronous rotational speed. Depending on the load, the speed is less than the indicated value by 2 % to 20 %.

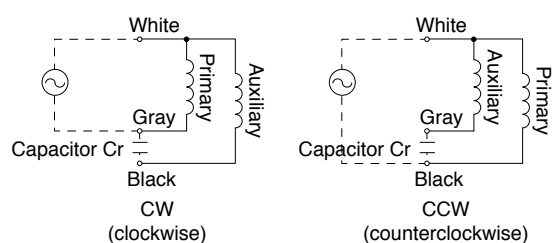
Unit of permissible torque: upper (N·m) / lower (lb-in)

Reduction ratio	Unit of permissible torque: upper (N·m) / lower (lb-in)																						
	3	3.6	5	6	7.5	9	10	12.5	15	18	20	25	30	36	50	60	75	90	100	120	150	180	
Speed (r/min)	50 Hz	500	416.7	300	250	200	166.7	150	120	100	83.3	75	60	50	41.7	30	25	20	16.7	15	12.5	10	8.3
	60 Hz	600	500	360	300	240	200	180	144	120	100	90	72	60	50	36	30	24	20	18	15	12	10
Applicable gear head	MX8G3B to MX8G180B (ball bearing)	50 Hz	0.34 (3.01)	0.41 (3.63)	0.57 (5.04)	0.69 (6.11)	0.85 (7.52)	0.98 (8.67)	1.18 (10.4)	1.37 (12.1)	1.67 (14.8)	2.25 (19.9)	2.74 (24.3)	3.33 (29.5)	4.02 (35.6)	5.49 (48.6)	6.57 (58.1)	7.84 (69.4)					
	MX8G3M to MX8G180M (metal bearing)	60 Hz	0.28 (2.48)	0.34 (3.01)	0.47 (4.16)	0.57 (5.04)	0.72 (6.37)	0.85 (7.52)	0.95 (8.41)	1.18 (10.4)	1.37 (12.1)	1.67 (14.8)	1.86 (16.5)	2.25 (19.9)	2.74 (24.3)	3.33 (29.5)	4.61 (40.8)	5.49 (48.6)	6.86 (60.7)				
Rotational direction	Same as motor rotational direction											Reverse to motor rotational direction											

Permissible torque at output shaft of gear head using decimal gear head

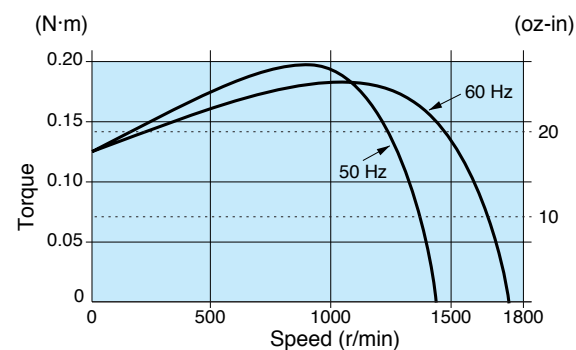
Applicable gear head		Reduction ratio	Reduction ratio											
Bearing	Decimal gear head		Speed (r/min)	200	250	300	360	500	600	750	900	1000	1200	1500
MX8G□B (ball bearing) MX8G□M (metal bearing)	MX8G10XB	50 Hz	7.5	6	5	4.2	3	2.5	2	1.7	1.5	1.3	1	0.8
		60 Hz	9	7.2	6	5	3.6	3	2.4	2	1.8	1.5	1.2	1
Permissible torque		N-m (lb-in)	7.84 (69.4)	7.84 (69.4)	7.84 (69.4)	7.84 (69.4)	7.84 (69.4)	7.84 (69.4)	7.84 (69.4)	7.84 (69.4)	7.84 (69.4)	7.84 (69.4)	7.84 (69.4)	7.84 (69.4)
Rotational direction			Same as motor rotational direction						Reverse to motor rotational direction					

Connection diagram



Speed-torque characteristics

M8RX20G4L

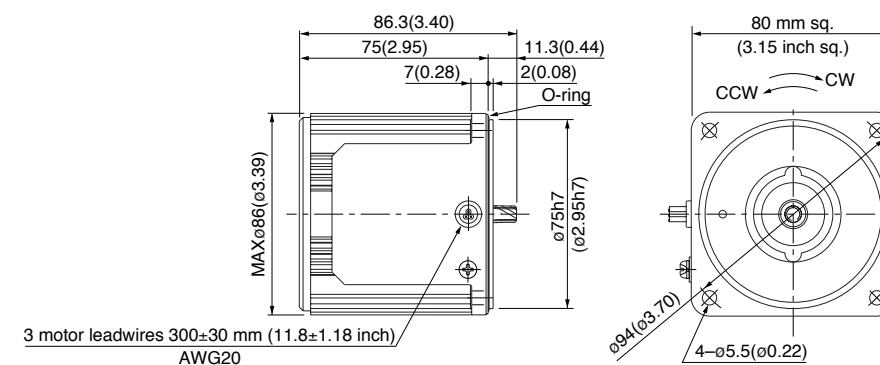


Motor (dimensions)

Scale: 1/3, Unit: mm (inch)

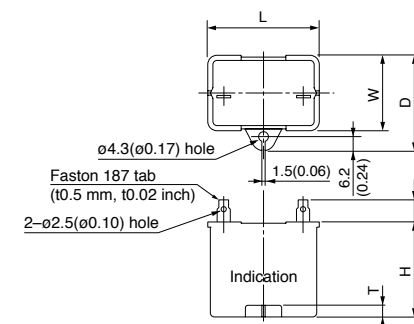
M8RX20G4L	4P 20 W 100 V
M8RX20G4Y	4P 20 W 200 V

Mass	Helical gear	Module	Number of teeth
1.2 kg 2.65 lb		0.5	9



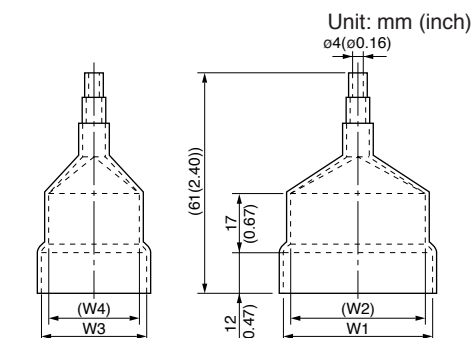
Capacitor (dimensions) [attachment]

Unit: mm (inch)



Capacitor cap (dimensions) [option]

Unit: mm (inch)



Capacitor dimension list

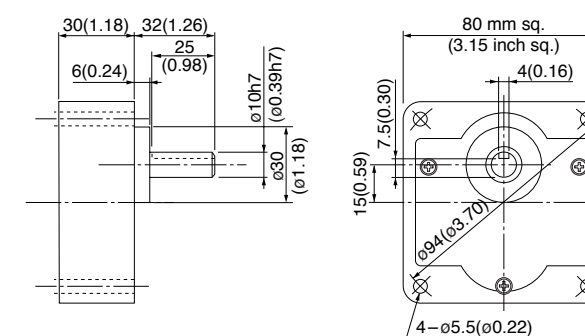
Unit: upper (mm) / lower (inch)

Model number of motor	Model number of capacitor (attachment)	L	W	D	H	T	Capacitor cap (option)	W1	W2	W3	W4
M8RX20G4L	M0PC7M20	39.5 (1.56)	22 (0.87)	32.5 (1.28)	30.5 (1.20)	4 (0.16)	M0PC3922	39.5 (1.56)	37.5 (1.48)	22 (0.87)	20 (0.79)
M8RX20G4Y	M0PC1.8M40	39.5 (1.56)	22 (0.87)	32.5 (1.28)	30.5 (1.20)	4 (0.16)	M0PC3922	39.5 (1.56)	37.5 (1.48)	22 (0.87)	20 (0.79)

Gear head (dimensions)

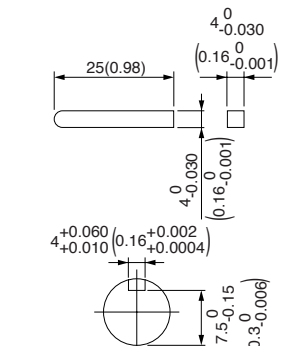
Scale: 1/3, Unit: mm (inch)

MX8G□B (ball bearing)	Mass 0.6 kg (1.32 lb)	MX8G□M (metal bearing)	Mass 0.6 kg (1.32 lb)
-----------------------	-----------------------	------------------------	-----------------------



Key and keyway (dimensions) [attachment]

MX8G□B(M)



* Please read your User's manual carefully so that you will understand the operation and safety precautions before attempting to operate the system.

(Note) Because the dimensions may be subject to change, also check the determinate dimensions if the gear head is to be used for design.

Specifications

Size	Motor model No.	Number of pole (P)	Output (W)	Voltage (V)	Frequency (Hz)	Rating (min)	Rating				Starting current (A)	Starting torque N-m (oz-in)	Capacitor (μF) (rated voltage)
							Input (W)	Current (A)	Speed (r/min)	Torque N-m (oz-in)			
80 mm sq.	M8RX25G4L	4	25	100	50	30	58	0.59	1275	0.19 (26.9)	1.0	0.17 (24.1)	9.5 (200 V)
					60		57	0.59	1575	0.16 (22.7)	1.0	0.17 (24.1)	
	M8RX25G4Y	4	25	200	50	30	57	0.29	1275	0.19 (26.9)	0.52	0.19 (26.9)	2.4 (400 V)
					60		57	0.29	1575	0.16 (22.7)	0.50	0.19 (26.9)	

* The specifications and wire connections of the round shaft motor are the same as those of the pinion shaft type. For the dimensional outline drawing, refer to page B-123.

Permissible torque at output shaft of gear head

* The speed shown below is a calculated value based on the synchronous rotational speed. Depending on the load, the speed is less than the indicated value by 2 % to 20 %.

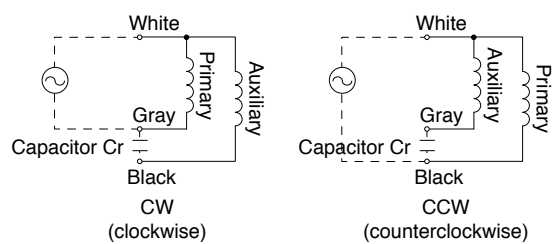
Unit of permissible torque: upper (N·m) / lower (lb·in)

Reduction ratio	Unit of permissible torque: upper (N·m) / lower (lb·in)																							
	3	3.6	5	6	7.5	9	10	12.5	15	18	20	25	30	36	50	60	75	90	100	120	150	180		
Speed (r/min)	50 Hz	500	416.7	300	250	200	166.7	150	120	100	83.3	75	60	50	41.7	30	25	20	16.7	15	12.5	10	8.3	
	60 Hz	600	500	360	300	240	200	180	144	120	100	90	72	60	50	36	30	24	20	18	15	12	10	
Applicable gear head	MX8G3B to MX8G180B (ball bearing)	50 Hz	0.39 (3.45)	0.47 (4.16)	0.66 (5.84)	0.78 (6.90)	0.98 (8.67)	1.18 (10.4)	1.27 (11.2)	1.57 (13.9)	1.96 (17.3)	2.35 (20.8)	2.55 (22.6)	3.14 (27.8)	3.82 (33.8)	4.61 (40.8)	6.37 (56.4)	7.64 (67.6)						7.84 (69.4)
	MX8G3M to MX8G180M (metal bearing)	60 Hz	0.32 (2.83)	0.39 (3.45)	0.55 (4.87)	0.66 (5.84)	0.81 (7.17)	0.98 (8.67)	1.08 (9.56)	1.27 (11.2)	1.57 (13.9)	1.96 (17.3)	2.06 (18.2)	2.65 (23.5)	3.14 (27.8)	3.82 (33.8)	5.29 (46.8)	6.37 (56.4)						7.84 (69.4)
Rotational direction	Same as motor rotational direction											Reverse to motor rotational direction												

Permissible torque at output shaft of gear head using decimal gear head

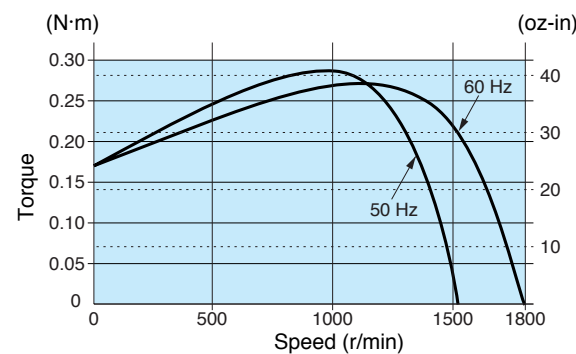
Applicable gear head		Reduction ratio	Reduction ratio																								
Bearing	Decimal gear head		Speed (r/min)	200		250		300		360		500		600		750		900		1000		1200		1500		1800	
		50 Hz		60 Hz	7.5	6	5	4.2	3	2.5	2	1.7	1.5	1.3	1	0.8											
MX8G□B (ball bearing)	MX8G10XB	Permissible torque	N-m (lb-in)	7.84 (69.4)	7.84 (69.4)	7.84 (69.4)	7.84 (69.4)	7.84 (69.4)	7.84 (69.4)	7.84 (69.4)	7.84 (69.4)	7.84 (69.4)	7.84 (69.4)	7.84 (69.4)	7.84 (69.4)	7.84 (69.4)	7.84 (69.4)	7.84 (69.4)	7.84 (69.4)	7.84 (69.4)	7.84 (69.4)	7.84 (69.4)	7.84 (69.4)	7.84 (69.4)	7.84 (69.4)	7.84 (69.4)	7.84 (69.4)
MX8G□M (metal bearing)			Rotational direction	Same as motor rotational direction											Reverse to motor rotational direction												

Connection diagram



Speed-torque characteristics

M8RX25G4L



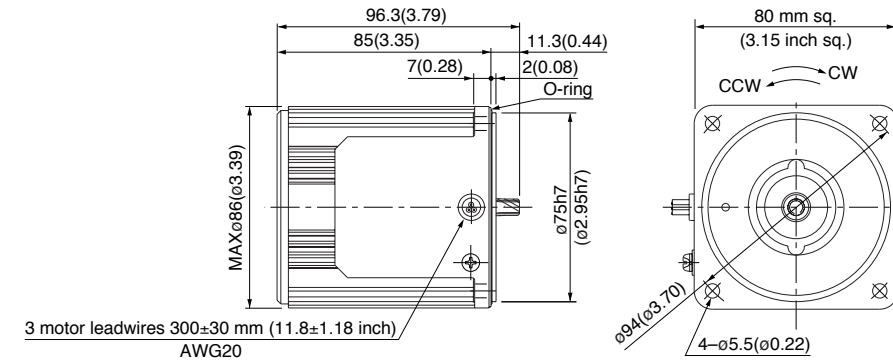
* Please read your User's manual carefully so that you will understand the operation and safety precautions before attempting to operate the system.

Motor (dimensions)

Scale: 1/3, Unit: mm (inch)

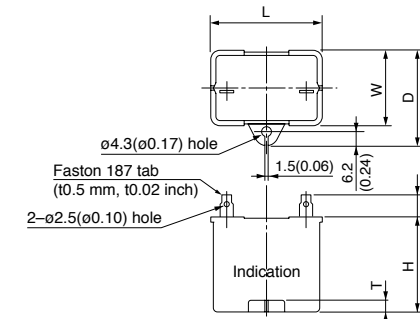
M8RX25G4L	4P 25 W 100 V
M8RX25G4Y	4P 25 W 200 V

Mass	Helical gear	Module	Number of teeth
1.5 kg 3.31 lb		0.5	9



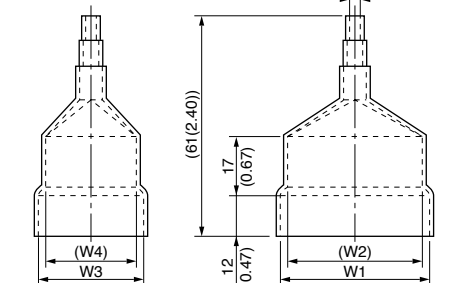
Capacitor (dimensions) [attachment]

Unit: mm (inch)



Capacitor cap (dimensions) [option]

Unit: mm (inch)



Capacitor dimension list

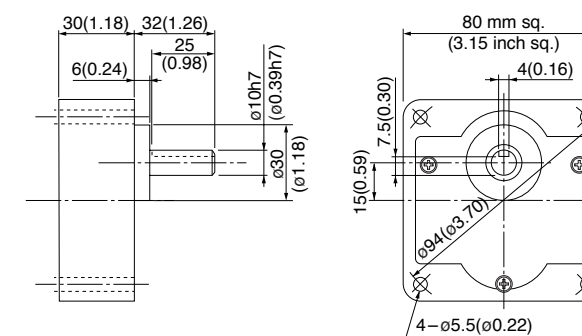
Unit: upper (mm) / lower (inch)

Model number of motor	Model number of capacitor (attachment)	L	W	D	H	T	Capacitor cap (option)	W1	W2	W3	W4
M8RX25G4L	M0PC9.5M20	39.5 (1.56)	22 (0.87)	32.5 (1.28)	30.5 (1.20)	4 (0.16)	M0PC3922	39.5 (1.56)	37.5 (1.48)	22 (0.87)	20 (0.79)
M8RX25G4Y	M0PC2.4M40	49.7 (1.96)	24 (0.94)	34.5 (1.36)	34.5 (1.36)	4 (0.16)	M0PC5026	50 (1.97)	48 (1.89)	26 (1.02)	22 (0.87)

Gear head (dimensions)

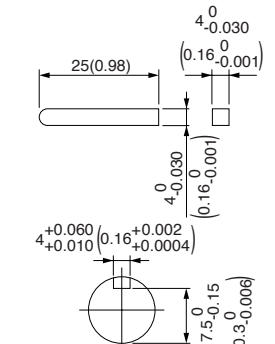
Scale: 1/3, Unit: mm (inch)

MX8G□B (ball bearing)	Mass 0.6 kg (1.32 lb)	MX8G□M (metal bearing)	Mass 0.6 kg (1.32 lb)
-----------------------	-----------------------	------------------------	-----------------------



Key and keyway (dimensions) [attachment]

MX8G□B(M)



(Note) Because the dimensions may be subject to change, also check the determinate dimensions if the gear head is to be used for design.

Reversible motor (leadwire)

US CE 80 mm (3.15 inch) sq. 25 W

Specifications

Size	Motor model No.	Number of pole (P)	Output (W)	Voltage (V)	Frequency (Hz)	Rating (min)	Rating				Starting current (A)	Starting torque N-m (oz-in)	Capacitor (μF) (rated voltage)
							Input (W)	Current (A)	Speed (r/min)	Torque N-m (oz-in)			
80 mm sq.	M8RX25G4LG M8RX25G4LGA	4	25	100	50	30	59	0.60	1250	0.19 (26.9)	1.1	0.19 (26.9)	10 (250 V)
					60		61	0.61	1550	0.15 (21.2)	1.1	0.19 (26.9)	8 (250 V)
	M8RX25G4DG M8RX25G4DGA	4	25	110	60	30	58	0.53	1575	0.15 (21.2)	1.1	0.17 (24.1)	8 (250 V)
					60		61	0.53	1600	0.15 (21.2)	1.2	0.19 (26.9)	2.5 (450 V)
	M8RX25G4YG M8RX25G4YGA	4	25	200	50	30	59	0.30	1200	0.20 (28.3)	0.45	0.19 (26.9)	2.5 (450 V)
					60		66	0.34	1525	0.16 (22.7)	0.46	0.19 (26.9)	2 (450 V)
	M8RX25G4GG M8RX25G4GGA	4	25	220	50	30	60	0.28	1225	0.19 (26.9)	0.47	0.18 (25.5)	2 (450 V)
					60		60	0.27	1550	0.15 (21.2)	0.46	0.18 (25.5)	2 (450 V)
					50		62	0.28	1275	0.19 (26.9)	0.49	0.19 (26.9)	2 (450 V)
					60		62	0.27	1575	0.15 (21.2)	0.48	0.19 (26.9)	2 (450 V)

The specifications and wire connections of the round shaft motor are the same as those of the pinion shaft type. For the dimensional outline drawing, refer to page B-123.
The models with a motor model number to which "A" is suffixed are not equipped with a capacitor cap.
The models with a motor model number to which "A" is suffixed are not sold or available in Japan.

Permissible torque at output shaft of gear head

The speed shown below is a calculated value based on the synchronous rotational speed. Depending on the load, the speed is less than the indicated value by 2% to 20%.

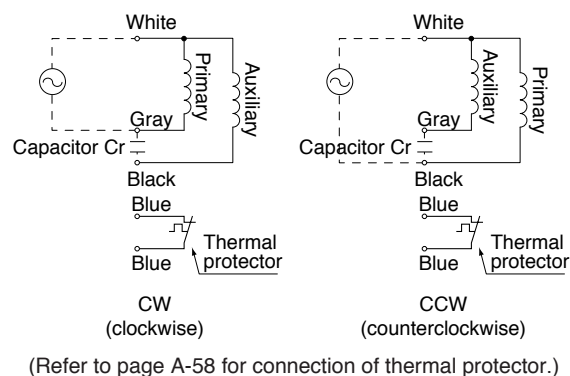
Unit of permissible torque: upper (N·m) / lower (lb-in)

Reduction ratio	Unit of permissible torque: upper (N·m) / lower (lb-in)																							
	3	3.6	5	6	7.5	9	10	12.5	15	18	20	25	30	36	50	60	75	90	100	120	150	180		
Speed (r/min)	[Data omitted for brevity]																							
Applicable gear head	MX8G3B to MX8G180B (ball bearing)												MX8G3M to MX8G180M (metal bearing)											
Rotational direction	Same as motor rotational direction												Reverse to motor rotational direction											

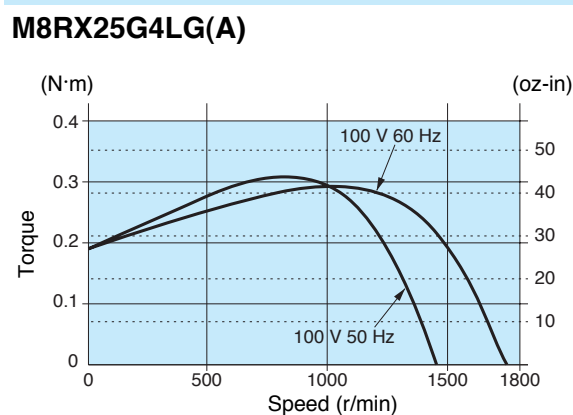
Permissible torque at output shaft of gear head using decimal gear head

Applicable gear head	Reduction ratio	Permissible torque															
		200	250	300	360	500	600	750	900	1000	1200	1500	1800				
Bearing	Decimal gear head	Speed (r/min)	50 Hz	7.5	6	5	4.2	3	2.5	2	1.7	1.5	1.3	1	0.8		
MX8G□B (ball bearing)	MX8G10XB	Permissible torque	60 Hz	9	7.2	6	5	3.6	3	2.4	2	1.8	1.5	1.2	1		
MX8G□M (metal bearing)			Rotational direction	Same as motor rotational direction		Reverse to motor rotational direction											

Connection diagram



Speed-torque characteristics

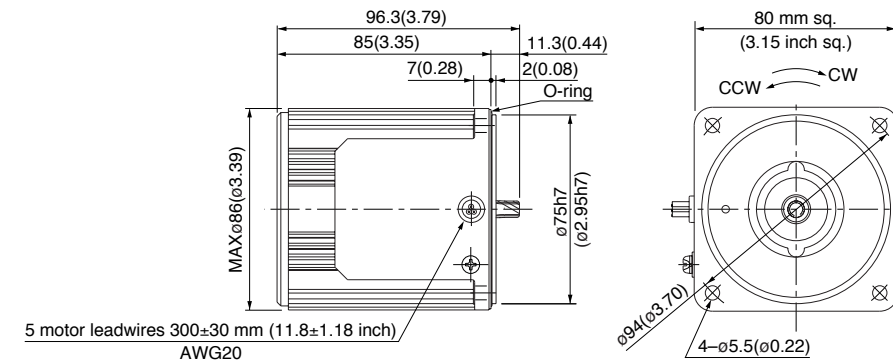


Motor (dimensions)

Scale: 1/3, Unit: mm (inch)

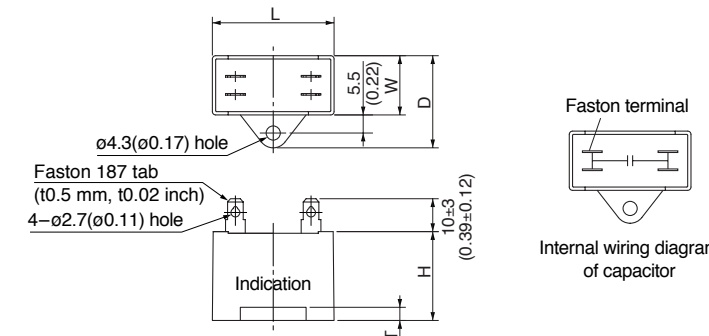
M8RX25G4LG(A)	4P	25 W	100 V
M8RX25G4DG(A)	4P	25 W	110 V / 115 V
M8RX25G4YG(A)	4P	25 W	200 V
M8RX25G4GG(A)	4P	25 W	220 V / 230 V

Mass	Helical gear	Module	Number of teeth
1.5 kg 3.31 lb		0.5	9



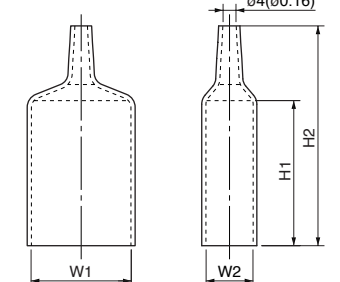
Capacitor (dimensions) [attachment]

Unit: mm (inch)



Capacitor cap (dimensions) [attachment]

Unit: mm (inch)



Capacitor dimension list

Unit: upper (mm) / lower (inch)

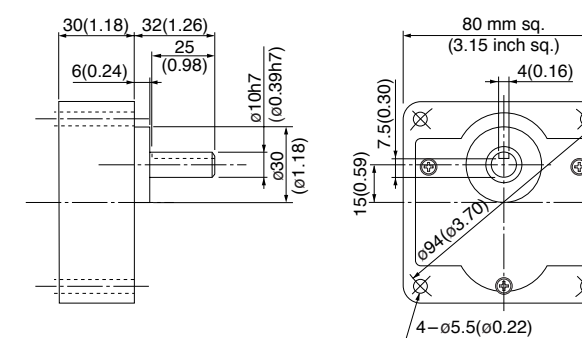
Model number of motor	Model number of capacitor (attachment)	L	W	D	H	T	Capacitor cap (attachment)	W1	W2	H1	H2
M8RX25G4LG(A)	M0PC10M25G	58 (2.28)	21 (0.83)	31 (1.22)	31 (1.22)	4 (0.16)	M0PC5821G	58 (2.28)	21 (0.83)	55 (2.17)	78 (3.07)
M8RX25G4DG(A)	M0PC8M25G	48 (1.89)	21 (0.83)	31 (1.22)	31 (1.22)	4 (0.16)	M0PC4821G	48 (1.89)	21 (0.83)	55 (2.17)	78 (3.07)
M8RX25G4YG(A)	M0PC2.5M45G	48 (1.89)	21 (0.83)	31 (1.22)	31 (1.22)	4 (0.16)	M0PC4821G	48 (1.89)	21 (0.83)	55 (2.17)	78 (3.07)
M8RX25G4GG(A)	M0PC2M45G	48 (1.89)	19 (0.75)	29 (1.14)	29 (1.14)	4 (0.16)	M0PC4819G	48 (1.89)	19 (0.75)	55 (2.17)	78 (3.07)

The models with a motor model number to which "A" is suffixed are not equipped with a capacitor cap.

Gear head (dimensions)

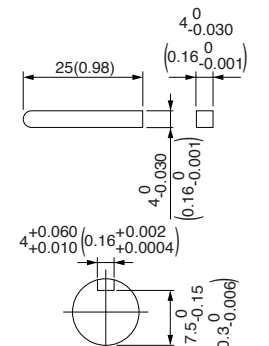
Scale: 1/3, Unit: mm (inch)

MX8G□B (ball bearing) Mass 0.6 kg (1.32 lb) MX8G□M (metal bearing) Mass 0.6 kg (1.32 lb)



Key and keyway (dimensions) [attachment]

MX8G□B(M)



Please read your User's manual carefully so that you will understand the operation and safety precautions before attempting to operate the system.

(Note) Because the dimensions may be subject to change, also check the determinate dimensions if the gear head is to be used for design.

Specifications

Size	Motor model No.	Number of pole (P)	Output (W)	Voltage (V)	Frequency (Hz)	Rating (min)	Rating				Starting current (A)	Starting torque N-m (oz-in)	Capacitor (μF) (rated voltage)
							Input (W)	Current (A)	Speed (r/min)	Torque N-m (oz-in)			
90 mm sq.	M9RX40G4L	4	40	100	50	30	94	0.96	1200	0.32 (45.3)	1.6	0.27 (38.2)	15 (210 V)
							93	0.93	1525	0.25 (35.4)	1.5	0.26 (36.8)	
	M9RX40G4Y	4	40	200	50	30	92	0.48	1200	0.32 (45.3)	0.81	0.28 (39.7)	3.8 (400 V)
							93	0.46	1525	0.25 (35.4)	0.77	0.29 (41.1)	

* The specifications and wire connections of the round shaft motor are the same as those of the pinion shaft type. For the dimensional outline drawing, refer to page B-123.

Permissible torque at output shaft of gear head

* The speed shown below is a calculated value based on the synchronous rotational speed. Depending on the load, the speed is less than the indicated value by 2 % to 20 %.

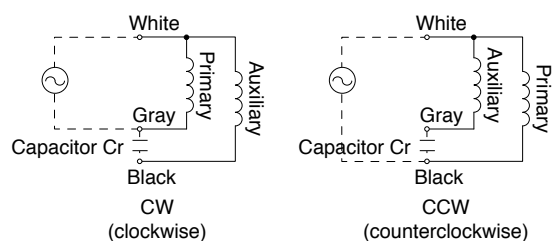
Unit of permissible torque: upper (N·m) / lower (lb-in)

Reduction ratio	Unit of permissible torque: upper (N·m) / lower (lb-in)																							
	3	3.6	5	6	7.5	9	10	12.5	15	18	20	25	30	36	50	60	75	90	100	120	150	180		
Speed (r/min)	50 Hz	500	416.7	300	250	200	166.7	150	120	100	83.3	75	60	50	41.7	30	25	20	16.7	15	12.5	10	8.3	
	60 Hz	600	500	360	300	240	200	180	144	120	100	90	72	60	50	36	30	24	20	18	15	12	10	
Applicable gear head	MX9G3B to MX9G180B (ball bearing)	50 Hz	0.66 (5.84)	0.78 (6.90)	1.08 (9.56)	1.27 (11.2)	1.57 (13.9)	1.86 (16.5)	2.25 (19.9)	2.74 (24.3)	3.23 (28.6)	3.92 (34.7)	4.41 (39.0)	5.29 (46.8)	6.37 (56.4)	7.94 (70.3)	9.80 (86.7)							
		60 Hz	0.55 (4.87)	0.66 (5.84)	0.90 (7.97)	1.08 (9.56)	1.27 (11.2)	1.57 (13.9)	1.76 (15.6)	2.25 (19.9)	2.74 (24.3)	3.23 (28.6)	3.53 (31.2)	4.41 (39.0)	5.29 (46.8)	6.37 (56.4)	8.82 (78.1)	9.80 (86.7)						
	MX9G3M to MX9G180M (metal bearing)	50 Hz	0.66 (5.84)	0.78 (6.90)	1.08 (9.56)	1.27 (11.2)	1.57 (13.9)	1.86 (16.5)	2.25 (19.9)	2.74 (24.3)	3.23 (28.6)	3.92 (34.7)	4.41 (39.0)	5.29 (46.8)	6.37 (56.4)	7.94 (70.3)	9.80 (86.7)							
	MX9G3M to MX9G180M (metal bearing)	60 Hz	0.55 (4.87)	0.66 (5.84)	0.90 (7.97)	1.08 (9.56)	1.27 (11.2)	1.57 (13.9)	1.76 (15.6)	2.25 (19.9)	2.74 (24.3)	3.23 (28.6)	3.53 (31.2)	4.41 (39.0)	5.29 (46.8)	6.37 (56.4)	8.82 (78.1)	9.80 (86.7)						
Rotational direction	Same as motor rotational direction											Reverse to motor rotational direction												

Permissible torque at output shaft of gear head using decimal gear head

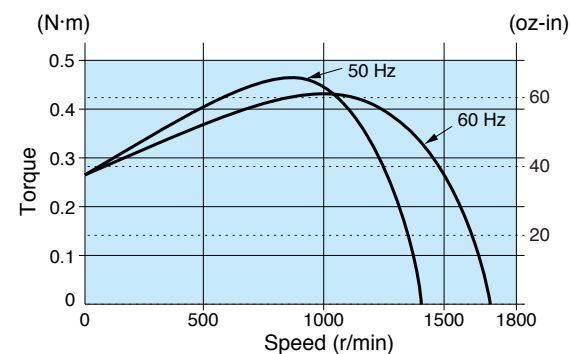
Applicable gear head		Reduction ratio	Reduction ratio													
Bearing	Decimal gear head		Speed (r/min)	200	250	300	360	500	600	750	900	1000	1200	1500	1800	
		MX9G□B (ball bearing)		MX9G10XB	50 Hz	7.5	6	5	4.2	3	2.5	2	1.7	1.5	1.3	1
60 Hz	9		7.2		6	5	3.6	3	2.4	2	1.8	1.5	1.2	1		
MX9G□M (metal bearing)	MX9G10XB	Permissible torque	N-m (lb-in)	9.80 (86.7)	9.80 (86.7)	9.80 (86.7)	9.80 (86.7)	9.80 (86.7)	9.80 (86.7)	9.80 (86.7)	9.80 (86.7)	9.80 (86.7)	9.80 (86.7)	9.80 (86.7)		
		Rotational direction	Same as motor rotational direction			Reverse to motor rotational direction										

Connection diagram



Speed-torque characteristics

M9RX40G4L



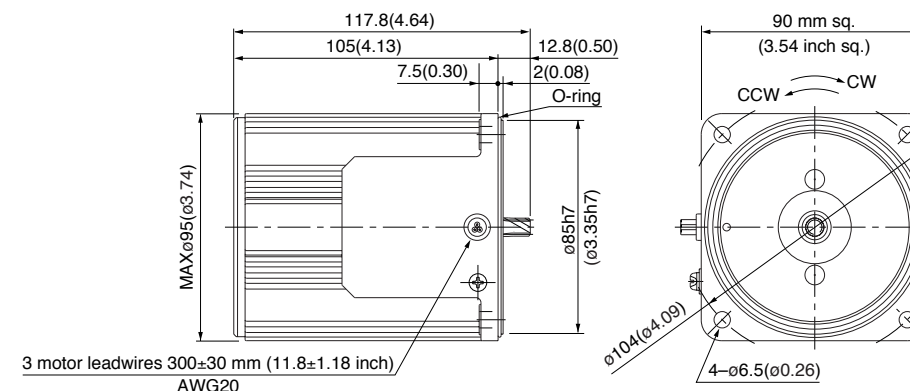
* Please read your User's manual carefully so that you will understand the operation and safety precautions before attempting to operate the system.

Motor (dimensions)

Scale: 1/3, Unit: mm (inch)

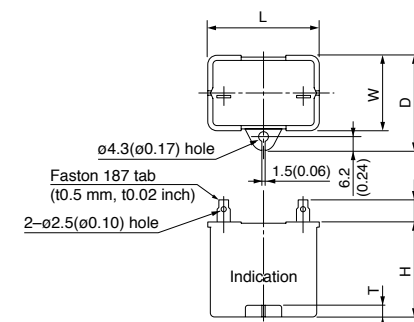
M9RX40G4L	4P 40 W 100 V
M9RX40G4Y	4P 40 W 200 V

Mass	Helical gear	Module	Number of teeth
2.4 kg 5.29 lb		0.55	9



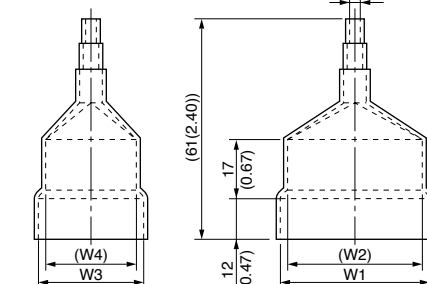
Capacitor (dimensions) [attachment]

Unit: mm (inch)



Capacitor cap (dimensions) [option]

Unit: mm (inch)



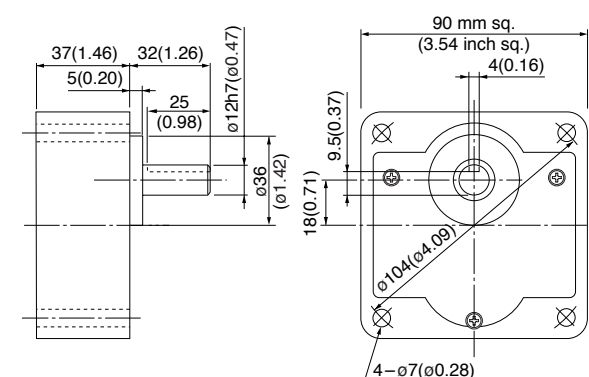
Capacitor dimension list Unit: upper (mm) / lower (inch)

Model number of motor	Model number of capacitor (attachment)	L	W	D	H	T	Capacitor cap (option)	W1	W2	W3	W4
M9RX40G4L	M0PC15M21	39.5 (1.56)	26.7 (1.05)	37 (1.46)	41 (1.61)	4 (0.16)	M0PC3926	39.5 (1.56)	37.5 (1.48)	26 (1.02)	25 (0.98)
M9RX40G4Y	M0PC3.8M40	50 (1.97)	26.7 (1.05)	37.5 (1.48)	38 (1.50)	4 (0.16)	M0PC5026	50 (1.97)	48 (1.89)	26 (1.02)	22 (0.87)

Gear head (dimensions)

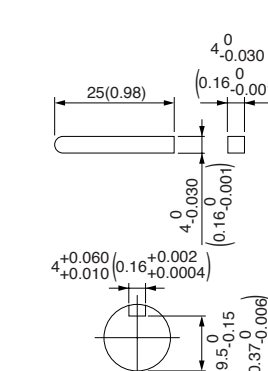
Scale: 1/3, Unit: mm (inch)

MX9G□B (ball bearing)	Mass 0.8 kg (1.76 lb)	MX9G□M (metal bearing)	Mass 0.8 kg (1.76 lb)
-----------------------	-----------------------	------------------------	-----------------------



Key and keyway (dimensions) [attachment]

MX9G□B(M)



(Note) Because the dimensions may be subject to change, also check the determinate dimensions if the gear head is to be used for design.

Specifications

Size	Motor model No.	Number of pole (P)	Output (W)	Voltage (V)	Frequency (Hz)	Rating (min)	Rating				Starting current (A)	Starting torque N-m (oz-in)	Capacitor (μF) (rated voltage)
							Input (W)	Current (A)	Speed (r/min)	Torque N-m (oz-in)			
90 mm sq.	M9RZ60G4L	4	60	100	50	30	144	1.5	1200	0.46 (65.1)	2.4	0.50 (70.8)	25 (200 V)
							163	1.5	1500	0.39 (55.2)	2.3	0.53 (75.1)	
	M9RZ60G4Y	4	60	200	50	30	146	0.74	1225	0.46 (65.1)	1.2	0.53 (75.1)	6.2 (375 V)
							153	0.77	1525	0.39 (55.2)	1.3	0.55 (77.9)	

* The specifications and wire connections of the round shaft motor are the same as those of the pinion shaft type. For the dimensional outline drawing, refer to page B-124.

Permissible torque at output shaft of gear head

* The speed shown below is a calculated value based on the synchronous rotational speed. Depending on the load, the speed is less than the indicated value by 2 % to 20 %.

Unit of permissible torque: upper (N·m) / lower (lb-in)

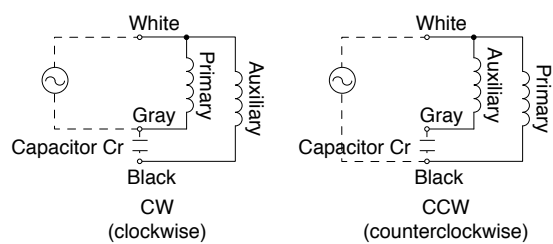
Reduction ratio	Speed (r/min)																									
	50 Hz	60 Hz	3	3.6	5	6	7.5	9	10	12.5	15	18	20	25	30	36	50	60	75	90	100	120	150	180	200	
50 Hz	0.98 (8.7)	1.18 (10.4)	1.57 (13.9)	1.96 (17.3)	2.35 (20.8)	2.94 (26.0)	3.14 (27.8)	3.92 (34.7)	4.70 (41.6)	5.59 (49.5)	6.27 (55.5)	7.55 (66.8)	9.11 (80.6)	11.0 (97.4)	15.2 (135)	17.8 (158)	19.6 (173)									
60 Hz	0.78 (6.9)	0.98 (8.7)	1.37 (12.1)	1.57 (13.9)	1.96 (17.3)	2.35 (20.8)	2.65 (23.5)	3.33 (29.5)	3.92 (34.7)	4.70 (41.6)	5.29 (46.8)	6.47 (57.3)	7.55 (66.8)	9.11 (80.6)	12.6 (112)	15.2 (135)	19.6 (173)									

Rotational direction: Same as motor rotational direction / Reverse to motor rotational direction / Same as motor rotational direction

Permissible torque at output shaft of gear head using decimal gear head

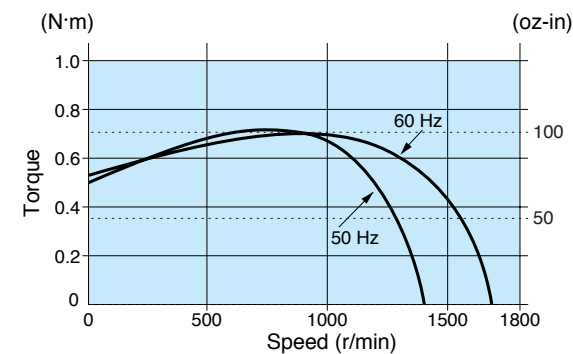
Applicable gear head	Reduction ratio	Speed (r/min)															
		50 Hz	60 Hz	250	300	360	500	600	750	900	1000	1200	1500	1800			
Bearing	Decimal gear head	50 Hz	60 Hz	6	5	4.2	3	2.5	2	1.7	1.5	1.3	1	0.8			
MZ9G□B (ball bearing / Hinge not attached)	MZ9G10XB	Permissible torque	N-m (lb-in)	19.6 (173)	19.6 (173)	19.6 (173)	19.6 (173)	19.6 (173)	19.6 (173)	19.6 (173)	19.6 (173)	19.6 (173)	19.6 (173)	19.6 (173)			
MY9G□B (ball bearing / Hinge attached)		Rotational direction	Reverse to motor rotational direction	Same as motor rotational direction													

Connection diagram



Speed-torque characteristics

M9RZ60G4L



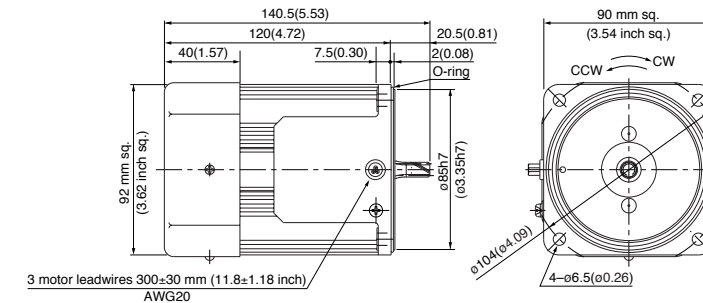
* Please read your User's manual carefully so that you will understand the operation and safety precautions before attempting to operate the system.

Motor (dimensions)

Scale: 1/4, Unit: mm (inch)

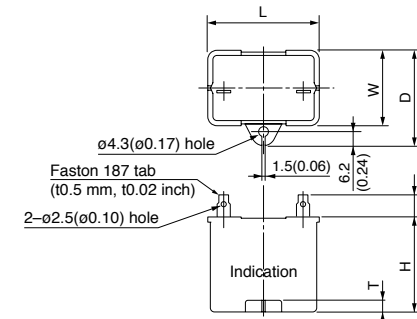
M9RZ60G4L 4P 60 W 100 V (with fan)
M9RZ60G4Y 4P 60 W 200 V (with fan)

Mass	Helical gear	Module	Number of teeth
2.7 kg (5.95 lb)		0.6	9



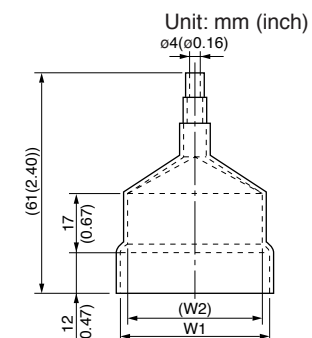
Capacitor (dimensions) [attachment]

Unit: mm (inch)



Capacitor cap (dimensions) [option]

Unit: mm (inch)



Capacitor dimension list Unit: upper (mm) / lower (inch)

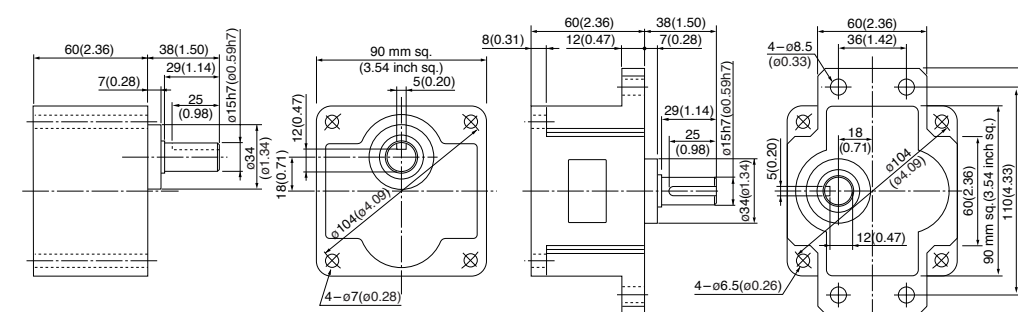
Model number of motor	Model number of capacitor (attachment)	L	W	D	H	T	Capacitor cap (option)	W1	W2	W3	W4
M9RZ60G4L	M0PC25M20	50.2 (1.98)	31 (1.22)	41 (1.61)	42 (1.65)	5 (0.20)	M0PC5032	50 (1.97)	48 (1.89)	32.5 (1.28)	29.5 (1.16)
M9RZ60G4Y	M0PC6.2M38	50 (1.97)	30.5 (1.20)	41 (1.61)	41.5 (1.63)	4 (0.16)	M0PC5032	50 (1.97)	48 (1.89)	32.5 (1.28)	29.5 (1.16)

Gear head (dimensions)

Scale: 1/4, Unit: mm (inch)

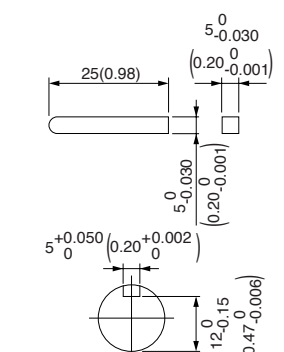
MZ9G□B (ball bearing / hinge not attached)
Mass 1.4 kg (3.09 lb)

MY9G□B (ball bearing / hinge attached)
Mass 1.4 kg (3.09 lb)



Key and keyway (dimensions) [attachment]

MZ9G□B
MY9G□B



Note) MZ / MY is available for a gear head of either type.

(Note) Because the dimensions may be subject to change, also check the determinate dimensions if the gear head is to be used for design.

Specifications

Size	Motor model No.	Number of pole (P)	Output (W)	Voltage (V)	Frequency (Hz)	Rating (min)	Rating				Starting current (A)	Starting torque N-m (oz-in)	Capacitor (μF) (rated voltage)
							Input (W)	Current (A)	Speed (r/min)	Torque N-m (oz-in)			
90 mm sq.	M9RZ60G4LG M9RZ60G4LGA	4	60	100	50	30	137	1.4	1250	0.46 (65.1)	2.4	0.51 (72.2)	25 (250 V)
					60		147	1.5	1550	0.37 (52.4)	2.4	0.53 (75.1)	
	M9RZ60G4DG M9RZ60G4DGA	4	60	110	30	138	1.3	1575	0.36 (51.0)	2.5	0.50 (70.8)	20 (250 V)	
				60		144	1.3	1600	0.36 (51.0)	2.6	0.55 (77.9)		
	M9RZ60G4YG M9RZ60G4YGA	4	60	200	30	135	0.67	1200	0.48 (68.0)	1.0	0.51 (72.2)	6 (450 V)	
				60		158	0.81	1500	0.38 (53.8)	1.1	0.53 (75.1)		
	M9RZ60G4GG M9RZ60G4GGA	4	60	220	30	137	0.64	1225	0.47 (66.6)	1.1	0.50 (70.8)	5 (450 V)	
				60		145	0.67	1550	0.37 (52.4)	1.1	0.52 (73.6)		
				50		145	0.66	1275	0.45 (63.7)	1.1	0.57 (80.7)		
				60		151	0.67	1575	0.36 (51.0)	1.1	0.57 (80.7)		

The specifications and wire connections of the round shaft motor are the same as those of the pinion shaft type. For the dimensional outline drawing, refer to page B-124.

The models with a motor model number to which "A" is suffixed are not equipped with a capacitor cap. The models with a motor model number to which "A" is suffixed are not sold or available in Japan.

Permissible torque at output shaft of gear head

* The speed shown below is a calculated value based on the synchronous rotational speed. Depending on the load, the speed is less than the indicated value by 2% to 20%.

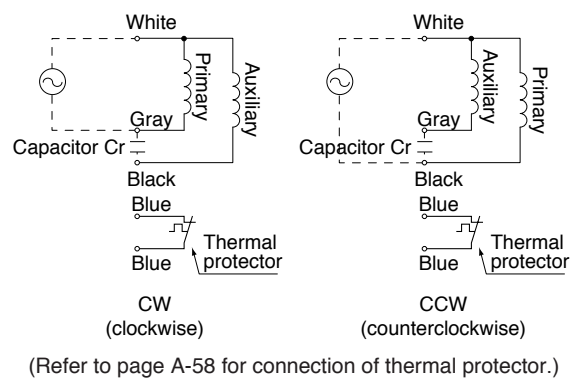
Unit of permissible torque: upper (N·m) / lower (lb-in)

Reduction ratio	Speed (r/min)																						
	3	3.6	5	6	7.5	9	10	12.5	15	18	20	25	30	36	50	60	75	90	100	120	150	180	200
50 Hz	500	416.7	300	250	200	166.7	150	120	100	83.3	75	60	50	41.7	30	25	20	16.7	15	12.5	10	8.3	7.5
60 Hz	600	500	360	300	240	200	180	144	120	100	90	72	60	50	36	30	24	20	18	15	12	10	9
Applicable gear head	Same as motor rotational direction												Reverse to motor rotational direction										
	Same as motor rotational direction												Same as motor rotational direction										

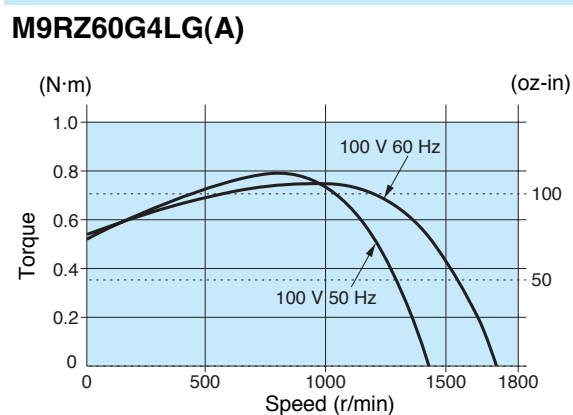
Permissible torque at output shaft of gear head using decimal gear head

Applicable gear head	Reduction ratio	Speed (r/min)											
		250	300	360	500	600	750	900	1000	1200	1500	1800	
Bearing	Decimal gear head	50 Hz	6	5	4.2	3	2.5	2	1.7	1.5	1.3	1	0.8
		60 Hz	7.2	6	5	3.6	3	2.4	2	1.8	1.5	1.2	1
MZ9G□B (ball bearing / hinge not attached) MY9G□B (ball bearing / hinge attached)	MZ9G10XB	Permissible torque	N·m (lb-in)	19.6 (173)	19.6 (173)	19.6 (173)	19.6 (173)	19.6 (173)	19.6 (173)	19.6 (173)	19.6 (173)	19.6 (173)	19.6 (173)
		Rotational direction		Reverse to motor rotational direction	Same as motor rotational direction								

Connection diagram



Speed-torque characteristics

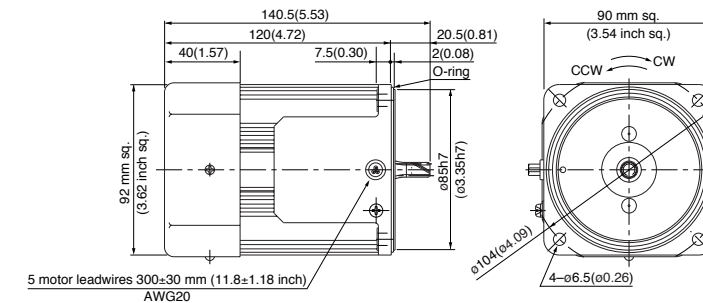


Motor (dimensions)

Scale: 1/4, Unit: mm (inch)

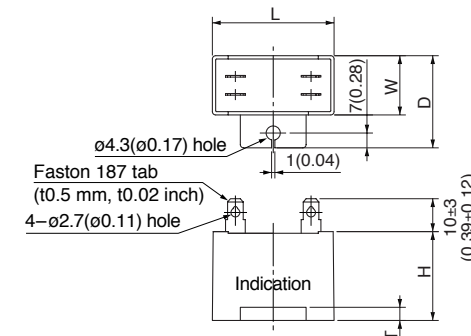
M9RZ60G4LG(A)	4P	60 W	100 V (with fan)
M9RZ60G4DG(A)	4P	60 W	110 V / 115 V (with fan)
M9RZ60G4YG(A)	4P	60 W	200 V (with fan)
M9RZ60G4GG(A)	4P	60 W	220 V / 230V (with fan)

Mass	Helical gear	Module	Number of teeth
2.7 kg (5.95 lb)		0.6	9



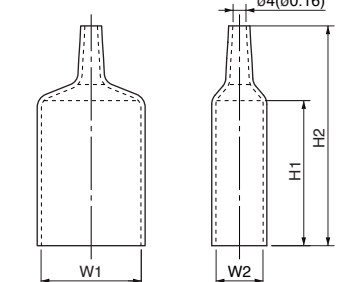
Capacitor (dimensions) [attachment]

Unit: mm (inch)



Capacitor cap (dimensions) [attachment]

Unit: mm (inch)



Capacitor dimension list

Unit: upper (mm) / lower (inch)

Model number of motor	Model number of capacitor (attachment)	L	W	D	H	T	Capacitor cap (attachment)	W1	W2	H1	H2
M9RZ60G4LG(A)	M0PC25M25G	58 (2.28)	35 (1.38)	50 (1.97)	50 (1.97)	4 (0.16)	M0PC5835G	58 (2.28)	35 (1.38)	55 (2.17)	78 (3.07)
M9RZ60G4DG(A)	M0PC20M25G	58 (2.28)	29 (1.14)	44 (1.73)	41 (1.61)	4 (0.16)	M0PC5829G	58 (2.28)	29 (1.14)	55 (2.17)	78 (3.07)
M9RZ60G4YG(A)	M0PC6M45G	58 (2.28)	29 (1.14)	44 (1.73)	41 (1.61)	4 (0.16)	M0PC5829G	58 (2.28)	29 (1.14)	55 (2.17)	78 (3.07)
M9RZ60G4GG(A)	M0PC5M45G	58 (2.28)	29 (1.14)	44 (1.73)	41 (1.61)	4 (0.16)	M0PC5829G	58 (2.28)	29 (1.14)	55 (2.17)	78 (3.07)

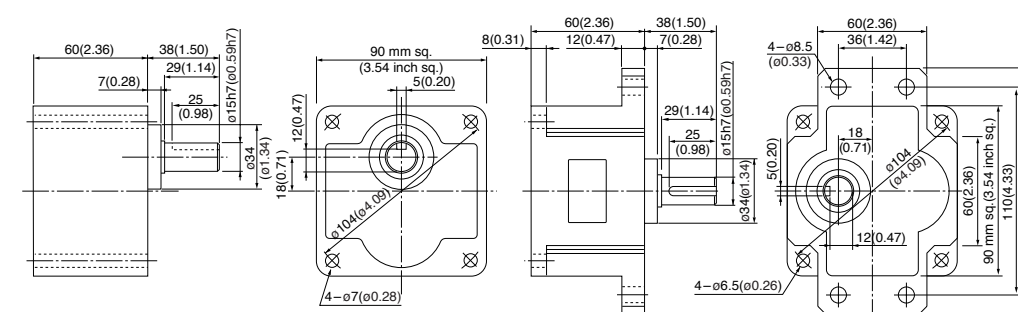
The models with a motor model number to which "A" is suffixed are not equipped with a capacitor cap.

Gear head (dimensions)

Scale: 1/4, Unit: mm (inch)

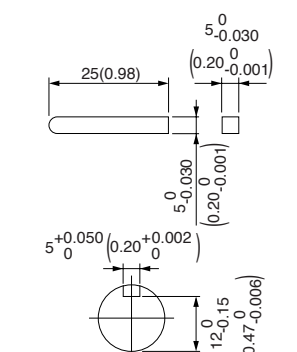
MZ9G□B (ball bearing / hinge not attached)
Mass 1.4 kg (3.09 lb)

MY9G□B (ball bearing / hinge attached)
Mass 1.4 kg (3.09 lb)



Key and keyway (dimensions) [attachment]

MZ9G□B
MY9G□B



Note) MZ / MY is available for a gear head of either type.

(Note) Because the dimensions may be subject to change, also check the determinate dimensions if the gear head is to be used for design.

Specifications

Size	Motor model No.	Number of pole (P)	Output (W)	Voltage (V)	Frequency (Hz)	Rating (min)	Rating				Starting current (A)	Starting torque N-m (oz-in)	Capacitor (μF) (rated voltage)
							Input (W)	Current (A)	Speed (r/min)	Torque N-m (oz-in)			
90 mm sq.	M9RZ90G4L	4	90	100	50	30	171	1.7	1225	0.70 (99.1)	2.8	0.63 (89.2)	30 (200 V)
							181	1.9	1525	0.56 (79.3)	2.7	0.64 (90.6)	
	M9RZ90G4Y	4	90	200	50	30	184	0.93	1150	0.72 (102)	1.4	0.64 (90.6)	7.5 (370 V)
							170	0.96	1475	0.57 (80.7)	1.4	0.66 (93.5)	

* The specifications and wire connections of the round shaft motor are the same as those of the pinion shaft type. For the dimensional outline drawing, refer to page B-124.

Permissible torque at output shaft of gear head

* The speed shown below is a calculated value based on the synchronous rotational speed. Depending on the load, the speed is less than the indicated value by 2 % to 20 %.

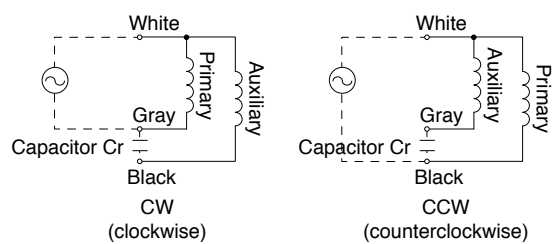
Unit of permissible torque: upper (N·m) / lower (lb·in)

Reduction ratio	Speed (r/min)																							
	50 Hz	60 Hz	3	3.6	5	6	7.5	9	10	12.5	15	18	20	25	30	36	50	60	75	90	100	120	150	180
Applicable gear head	Same as motor rotational direction																							
Rotational direction	Same as motor rotational direction										Reverse to motor rotational direction													

Permissible torque at output shaft of gear head using decimal gear head

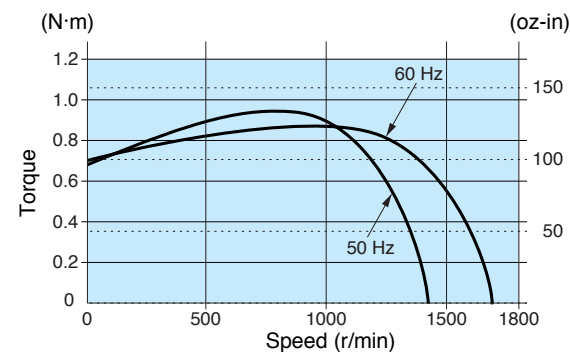
Applicable gear head	Reduction ratio	Speed (r/min)															
		250	300	360	500	600	750	900	1000	1200	1500	1800					
Bearing	Decimal gear head	50 Hz	60 Hz	6	5	4.2	3	2.5	2	1.7	1.5	1.3	1	0.8			
MZ9G□B (ball bearing / hinge not attached)	MZ9G10XB	Permissible torque (N-m) (lb-in)	19.6 (173)	19.6 (173)	19.6 (173)	19.6 (173)	19.6 (173)	19.6 (173)	19.6 (173)	19.6 (173)	19.6 (173)	19.6 (173)	19.6 (173)	19.6 (173)			
MY9G□B (ball bearing / hinge attached)			19.6 (173)	19.6 (173)	19.6 (173)	19.6 (173)	19.6 (173)	19.6 (173)	19.6 (173)	19.6 (173)	19.6 (173)	19.6 (173)	19.6 (173)	19.6 (173)	19.6 (173)		
Rotational direction		Reverse to motor rotational direction														Same as motor rotational direction	

Connection diagram



Speed-torque characteristics

M9RZ90G4L



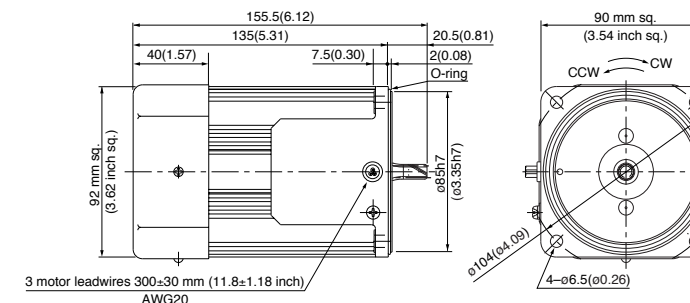
* Please read your User's manual carefully so that you will understand the operation and safety precautions before attempting to operate the system.

Motor (dimensions)

Scale: 1/4, Unit: mm (inch)

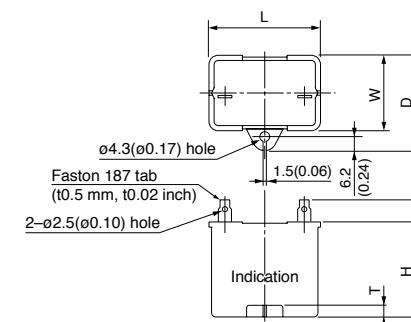
M9RZ90G4L 4P 90 W 100 V (with fan)
M9RZ90G4Y 4P 90 W 200 V (with fan)

Mass 3.2 kg (7.05 lb)
Helical gear
Module 0.6
Number of teeth 9



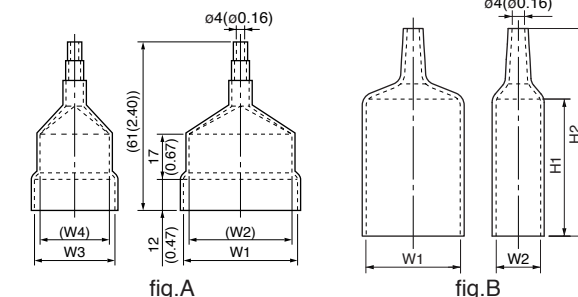
Capacitor (dimensions) [attachment]

Unit: mm (inch)



Capacitor cap (dimensions) [option]

Unit: mm (inch)



Capacitor dimension list Unit: upper (mm) / lower (inch)

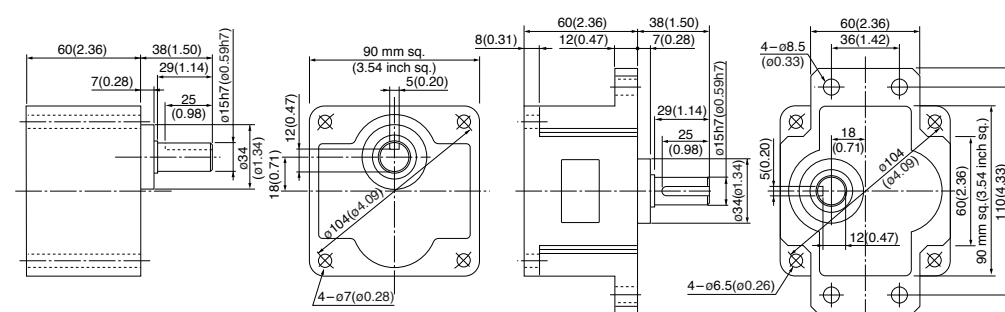
Model number of motor	Model number of capacitor (attachment)	L	W	D	H	T	Capacitor cap (option)	W1	W2	W3	W4	H1	H2	fig.
M9RZ90G4L	M0PC30M20	50.2 (1.98)	31 (1.22)	41 (1.61)	42 (1.65)	5 (0.20)	M0PC5032	50 (1.97)	48 (1.89)	32.5 (1.28)	29.5 (1.16)	—	—	A
M9RZ90G4Y	M0PC7.5M37	50 (1.97)	34 (1.34)	45 (1.77)	45 (1.77)	6 (0.24)	M0PC5835G	58 (2.28)	35 (1.38)	—	—	55 (2.17)	78 (3.07)	B

Gear head (dimensions)

Scale: 1/4, Unit: mm (inch)

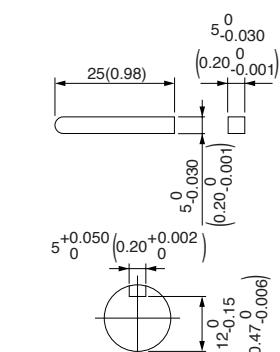
MZ9G□B (ball bearing / hinge not attached)
Mass 1.4 kg (3.09 lb)

MY9G□B (ball bearing / hinge attached)
Mass 1.4 kg (3.09 lb)



Key and keyway (dimensions) [attachment]

MZ9G□B
MY9G□B



Note) MZ / MY is available for a gear head of either type.

(Note) Because the dimensions may be subject to change, also check the determinate dimensions if the gear head is to be used for design.

Reversible motor (sealed connector)

80 mm (3.15 inch) sq. 25 W

Specifications

Size	Motor model No.	Number of pole (P)	Output (W)	Voltage (V)	Frequency (Hz)	Rating (min)	Rating				Starting current (A)	Starting torque N-m (oz-in)	Capacitor (μF) (rated voltage)
							Input (W)	Current (A)	Speed (r/min)	Torque N-m (oz-in)			
80 mm sq.	M8RX25GK4L	4	25	100	50	30	58	0.59	1275	0.19 (26.9)	1.0	0.17 (24.1)	9.5 (200 V)
							57	0.59	1575	0.16 (22.7)	1.0	0.17 (24.1)	
	M8RX25GK4Y	4	25	200	50	30	57	0.29	1275	0.19 (26.9)	0.52	0.19 (26.9)	2.4 (400 V)
							57	0.29	1575	0.16 (22.7)	0.50	0.19 (26.9)	

* The specifications and wire connections of the round shaft motor are the same as those of the pinion shaft type. For the dimensional outline drawing, refer to page B-124.

Permissible torque at output shaft of gear head

* The speed shown below is a calculated value based on the synchronous rotational speed. Depending on the load, the speed is less than the indicated value by 2% to 20%.

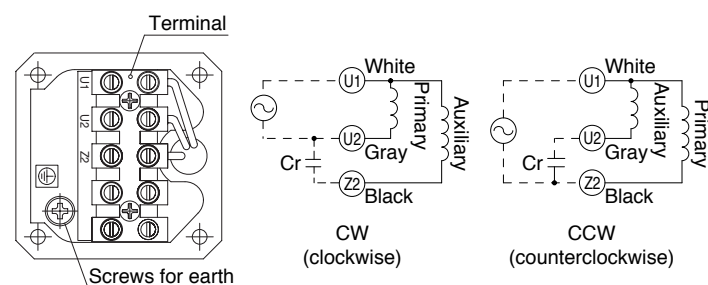
Unit of permissible torque: upper (N·m) / lower (lb·in)

Reduction ratio	Speed (r/min)																						
	50 Hz	60 Hz	3	3.6	5	6	7.5	9	10	12.5	15	18	20	25	30	36	50	60	75	90	100	120	150
Applicable gear head	MX8G3B to MX8G180B (ball bearing)												MX8G3M to MX8G180M (metal bearing)										
Rotational direction	Same as motor rotational direction												Reverse to motor rotational direction										

Permissible torque at output shaft of gear head using decimal gear head

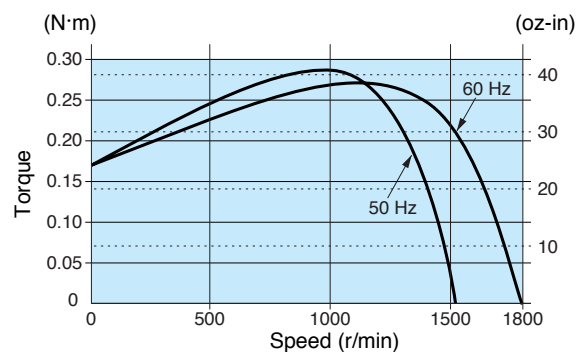
Applicable gear head	Reduction ratio	Speed (r/min)														
		50 Hz	60 Hz	200	250	300	360	500	600	750	900	1000	1200	1500	1800	
Bearing	Decimal gear head	Speed (r/min)	50 Hz	60 Hz	7.5	6	5	4.2	3	2.5	2	1.7	1.5	1.3	1	0.8
MX8G□B (ball bearing)	MX8G10XB	Permissible torque	N-m (lb-in)	7.84 (69.4)	7.84 (69.4)	7.84 (69.4)	7.84 (69.4)	7.84 (69.4)	7.84 (69.4)	7.84 (69.4)	7.84 (69.4)	7.84 (69.4)	7.84 (69.4)	7.84 (69.4)	7.84 (69.4)	7.84 (69.4)
MX8G□M (metal bearing)			Rotational direction	Same as motor rotational direction			Reverse to motor rotational direction									

Connection diagram



Speed-torque characteristics

M8RX25GK4L



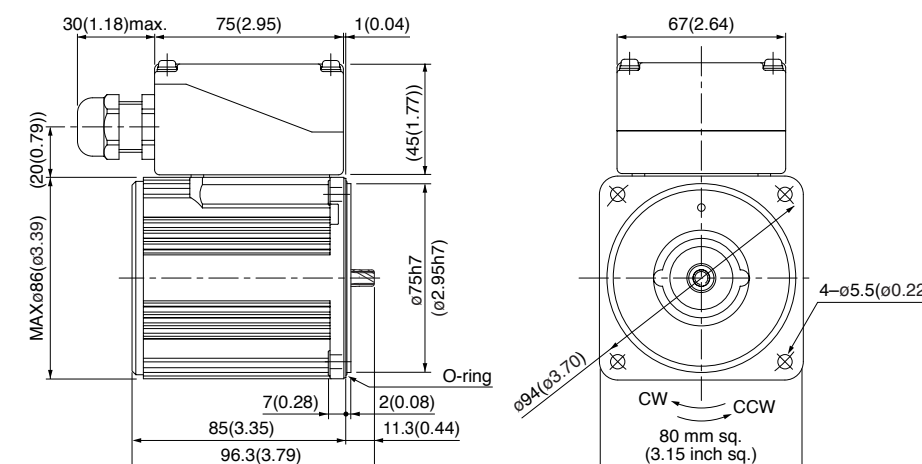
* Please read your User's manual carefully so that you will understand the operation and safety precautions before attempting to operate the system.

Motor (dimensions)

Scale: 1/3, Unit: mm (inch)

M8RX25GK4L 4P 25 W 100 V
M8RX25GK4Y 4P 25 W 200 V

Mass 1.8 kg 3.97 lb
Helical gear
Module 0.5
Number of teeth 9



* Diameter of applicable cable to be ø8 to ø12.

Capacitor (dimensions) [attachment]

Unit: mm (inch)

Capacitor cap (dimensions) [option]

Unit: mm (inch)



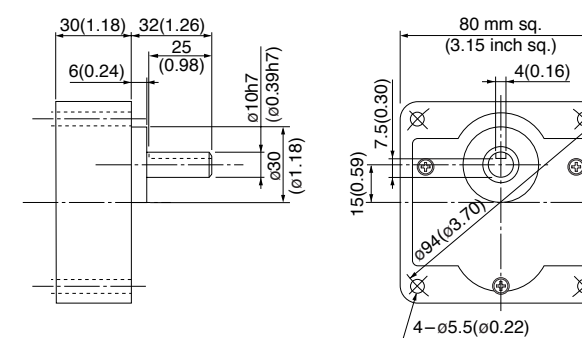
Capacitor dimension list Unit: upper (mm) / lower (inch)

Model number of motor	Model number of capacitor (attachment)	L	W	D	H	T	Capacitor cap (option)	W1	W2	W3	W4
M8RX25GK4L	M0PC9.5M20	39.5 (1.56)	22 (0.87)	32.5 (1.28)	30.5 (1.20)	4 (0.16)	M0PC3922	39.5 (1.56)	37.5 (1.48)	22 (0.87)	20 (0.79)
M8RX25GK4Y	M0PC2.4M40	49.7 (1.96)	24 (0.94)	34.5 (1.36)	34.5 (1.36)	4 (0.16)	M0PC5026	50 (1.97)	48 (1.89)	26 (1.02)	22 (0.87)

Gear head (dimensions)

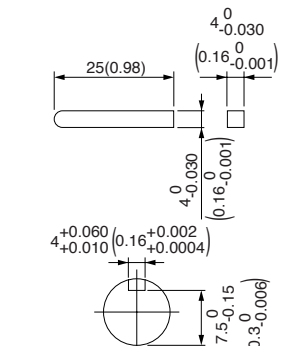
Scale: 1/3, Unit: mm (inch)

MX8G□B (ball bearing) Mass 0.6 kg (1.32 lb) MX8G□M (metal bearing) Mass 0.6 kg (1.32 lb)



Key and keyway (dimensions) [attachment]

MX8G□B(M)



(Note) Because the dimensions may be subject to change, also check the determinate dimensions if the gear head is to be used for design.

Reversible motor (sealed connector)

US CE 80 mm (3.15 inch) sq. 25 W

Specifications

Size	Motor model No.	Number of pole (P)	Output (W)	Voltage (V)	Frequency (Hz)	Rating (min)	Rating				Starting current (A)	Starting torque N·m (oz·in)	Capacitor (μF) (rated voltage)
							Input (W)	Current (A)	Speed (r/min)	Torque N·m (oz·in)			
80 mm sq.	M8RX25GK4LG M8RX25GK4LGA	4	25	100	50	30	59	0.60	1250	0.19 (26.9)	1.1	0.19 (26.9)	10 (250 V)
					60		61	0.61	1550	0.15 (21.2)	1.1	0.19 (26.9)	8 (250 V)
	M8RX25GK4DG M8RX25GK4DGA	4	25	110	60	30	58	0.53	1575	0.15 (21.2)	1.1	0.17 (24.1)	8 (250 V)
					60		61	0.53	1600	0.15 (21.2)	1.2	0.19 (26.9)	2.5 (450 V)
	M8RX25GK4YG M8RX25GK4YGA	4	25	200	50	30	59	0.30	1200	0.20 (28.3)	0.45	0.19 (26.9)	2.5 (450 V)
					60		66	0.34	1525	0.16 (22.7)	0.46	0.19 (26.9)	2 (450 V)
	M8RX25GK4GG M8RX25GK4GGA	4	25	220	50	30	60	0.28	1225	0.19 (26.9)	0.47	0.18 (25.5)	2 (450 V)
					60		60	0.27	1550	0.15 (21.2)	0.46	0.18 (25.5)	
					230	50	62	0.28	1275	0.19 (26.9)	0.49	0.19 (26.9)	
						60	62	0.27	1575	0.15 (21.2)	0.48	0.19 (26.9)	

The specifications and wire connections of the round shaft motor are the same as those of the pinion shaft type. For the dimensional outline drawing, refer to page B-124.

The models with a motor model number to which "A" is suffixed are not equipped with a capacitor cap. The models with a motor model number to which "A" is suffixed are not sold or available in Japan.

Permissible torque at output shaft of gear head

The speed shown below is a calculated value based on the synchronous rotational speed. Depending on the load, the speed is less than the indicated value by 2% to 20%.

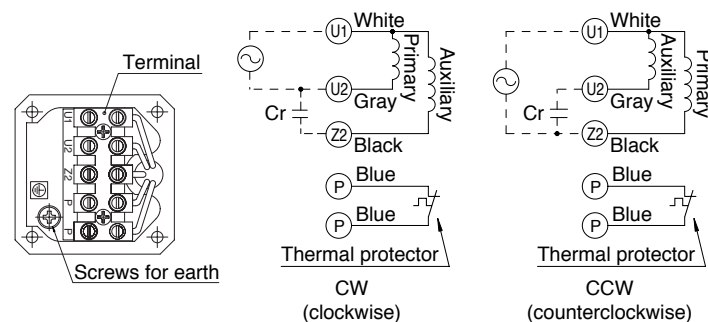
Unit of permissible torque: upper (N·m) / lower (lb·in)

Reduction ratio	Speed (r/min)																					
	3	3.6	5	6	7.5	9	10	12.5	15	18	20	25	30	36	50	60	75	90	100	120	150	180
50 Hz	500	416.7	300	250	200	166.7	150	120	100	83.3	75	60	50	41.7	30	25	20	16.7	15	12.5	10	8.3
60 Hz	600	500	360	300	240	200	180	144	120	100	90	72	60	50	36	30	24	20	18	15	12	10
Applicable gear head	Same as motor rotational direction											Reverse to motor rotational direction										
	MX8G3B to MX8G180B (ball bearing)	0.39 (3.45)	0.47 (4.16)	0.66 (5.84)	0.78 (6.90)	0.98 (8.67)	1.18 (10.4)	1.27 (11.2)	1.57 (13.9)	1.96 (17.3)	2.35 (20.8)	2.55 (22.6)	3.14 (27.8)	3.82 (33.8)	4.61 (40.8)	6.37 (56.4)	7.64 (67.6)					
MX8G3M to MX8G180M (metal bearing)	0.32 (2.83)	0.39 (3.45)	0.55 (4.87)	0.66 (5.84)	0.81 (7.17)	0.98 (8.67)	1.08 (9.56)	1.27 (11.2)	1.57 (13.9)	1.96 (17.3)	2.06 (18.2)	2.65 (23.5)	3.14 (27.8)	3.82 (33.8)	5.29 (46.8)	6.37 (56.4)						7.84 (69.4)

Permissible torque at output shaft of gear head using decimal gear head

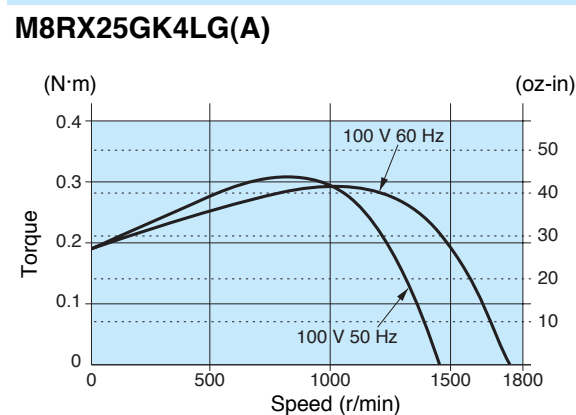
Applicable gear head	Reduction ratio	Speed (r/min)															
		200	250	300	360	500	600	750	900	1000	1200	1500	1800				
Bearing	Decimal gear head	50 Hz	7.5	6	5	4.2	3	2.5	2	1.7	1.5	1.3	1	0.8			
		60 Hz	9	7.2	6	5	3.6	3	2.4	2	1.8	1.5	1.2	1			
MX8G□B (ball bearing) MX8G□M (metal bearing)	MX8G10XB	Permissible torque	N·m (lb·in)	7.84 (69.4)	7.84 (69.4)	7.84 (69.4)	7.84 (69.4)	7.84 (69.4)	7.84 (69.4)	7.84 (69.4)	7.84 (69.4)	7.84 (69.4)	7.84 (69.4)	7.84 (69.4)			
		Rotational direction		Same as motor rotational direction	Reverse to motor rotational direction												

Connection diagram



(Refer to page A-58 for connection of thermal protector.)

Speed-torque characteristics

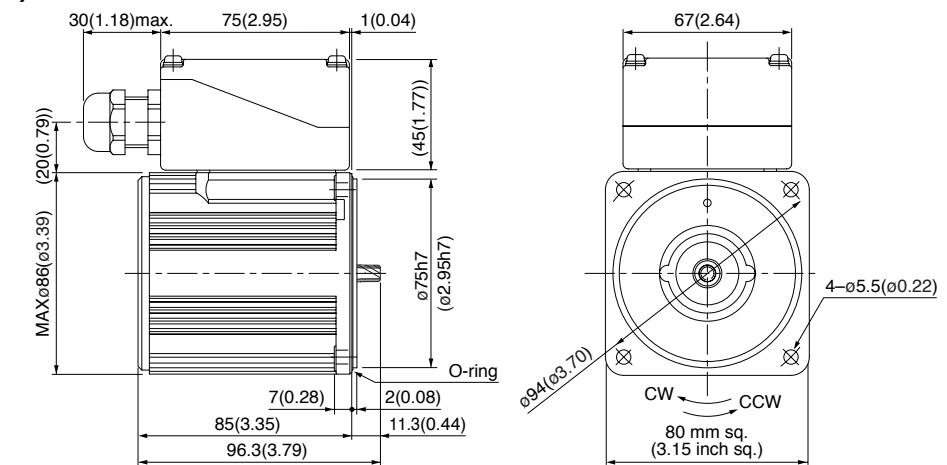


Motor (dimensions)

Scale: 1/3, Unit: mm (inch)

M8RX25GK4LG(A)	4P	25 W	100 V
M8RX25GK4DG(A)	4P	25 W	110 V / 115 V
M8RX25GK4YG(A)	4P	25 W	200 V
M8RX25GK4GG(A)	4P	25 W	220 V / 230 V

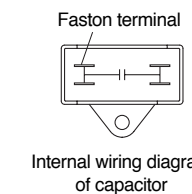
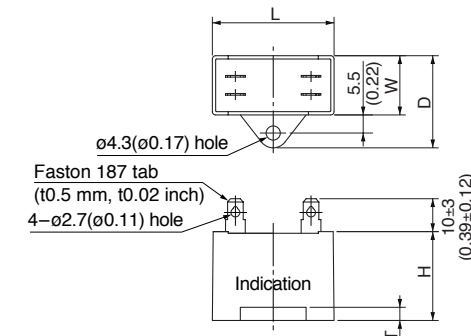
Mass	Helical gear	Module	Number of teeth
1.8 kg 3.97 lb		0.5	9



* Diameter of applicable cable to be ø8 to ø12.

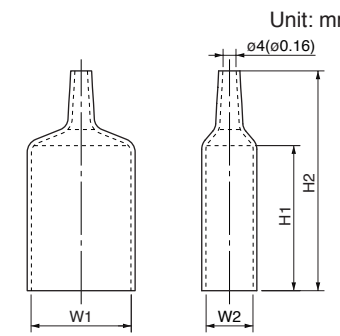
Capacitor (dimensions) [attachment]

Unit: mm (inch)



Capacitor cap (dimensions) [attachment]

Unit: mm (inch)



Capacitor dimension list

Unit: upper (mm) / lower (inch)

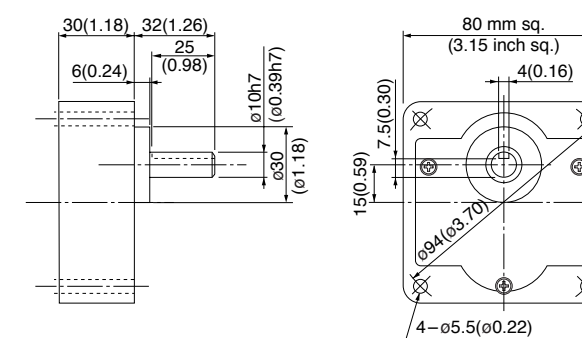
Model number of motor	Model number of capacitor (attachment)	L	W	D	H	T	Capacitor cap (attachment)	W1	W2	H1	H2
M8RX25GK4LG(A)	M0PC10M25G	58 (2.28)	21 (0.83)	31 (1.22)	31 (1.22)	4 (0.16)	M0PC5821G	58 (2.28)	21 (0.83)	55 (2.17)	78 (3.07)
M8RX25GK4DG(A)	M0PC8M25G	48 (1.89)	21 (0.83)	31 (1.22)	31 (1.22)	4 (0.16)	M0PC4821G	48 (1.89)	21 (0.83)	55 (2.17)	78 (3.07)
M8RX25GK4YG(A)	M0PC2.5M45G	48 (1.89)	21 (0.83)	31 (1.22)	31 (1.22)	4 (0.16)	M0PC4821G	48 (1.89)	21 (0.83)	55 (2.17)	78 (3.07)
M8RX25GK4GG(A)	M0PC2M45G	48 (1.89)	19 (0.75)	29 (1.14)	29 (1.14)	4 (0.16)	M0PC4819G	48 (1.89)	19 (0.75)	55 (2.17)	78 (3.07)

The models with a motor model number to which "A" is suffixed are not equipped with a capacitor cap.

Gear head (dimensions)

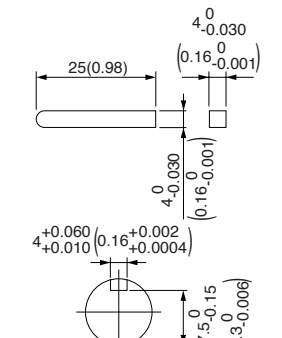
Scale: 1/3, Unit: mm (inch)

MX8G□B (ball bearing) Mass 0.6 kg (1.32 lb) MX8G□M (metal bearing) Mass 0.6 kg (1.32 lb)



Key and keyway (dimensions) [attachment]

MX8G□B(M)



* Please read your User's manual carefully so that you will understand the operation and safety precautions before attempting to operate the system.

(Note) Because the dimensions may be subject to change, also check the determinate dimensions if the gear head is to be used for design.

Reversible motor (sealed connector)

US CE 90 mm (3.54 inch) sq. 40 W

Specifications

Size	Motor model No.	Number of pole (P)	Output (W)	Voltage (V)	Frequency (Hz)	Rating (min)	Rating				Starting current (A)	Starting torque N·m (oz-in)	Capacitor (μF) (rated voltage)
							Input (W)	Current (A)	Speed (r/min)	Torque N·m (oz-in)			
90 mm sq.	M9RX40GK4LG M9RX40GK4LGA	4	40	100	50	30	86	0.87	1275	0.30 (42.5)	1.7	0.30 (42.5)	16 (250 V)
					60		93	0.95	1575	0.24 (34.0)	1.6	0.30 (42.5)	
	M9RX40GK4DG M9RX40GK4DGA	4	40	110	30	91	0.83	1550	0.25 (35.4)	1.7	0.25 (35.4)	12 (250 V)	
				115		94	0.82	1575	0.24 (34.0)	1.8	0.29 (41.1)		
	M9RX40GK4YG M9RX40GK4YGA	4	40	200	30	91	0.45	1200	0.32 (45.3)	0.67	0.30 (42.5)	4 (450 V)	
				60		109	0.57	1500	0.25 (35.4)	0.70	0.30 (42.5)		
	M9RX40GK4GG M9RX40GK4GGA	4	40	220	30	88	0.40	1250	0.31 (43.9)	0.71	0.30 (42.5)	3.5 (450 V)	
				60		104	0.49	1550	0.25 (35.4)	0.71	0.30 (42.5)		
				50		92	0.40	1300	0.29 (41.1)	0.74	0.33 (46.7)		
				230		110	0.50	1575	0.24 (34.0)	0.74	0.33 (46.7)		

The specifications and wire connections of the round shaft motor are the same as those of the pinion shaft type. For the dimensional outline drawing, refer to page B-124.

The models with a motor model number to which "A" is suffixed are not equipped with a capacitor cap. The models with a motor model number to which "A" is suffixed are not sold or available in Japan.

Permissible torque at output shaft of gear head

The speed shown below is a calculated value based on the synchronous rotational speed. Depending on the load, the speed is less than the indicated value by 2% to 20%.

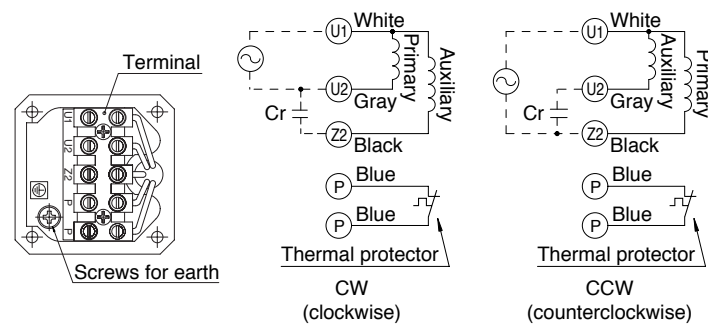
Unit of permissible torque: upper (N·m) / lower (lb-in)

Reduction ratio	Unit of permissible torque: upper (N·m) / lower (lb-in)																							
	3	3.6	5	6	7.5	9	10	12.5	15	18	20	25	30	36	50	60	75	90	100	120	150	180		
Speed (r/min)	[Data omitted for brevity]																							
Applicable gear head	MX9G3B to MX9G180B (ball bearing)												MX9G3M to MX9G180M (metal bearing)											
Rotational direction	Same as motor rotational direction												Reverse to motor rotational direction											

Permissible torque at output shaft of gear head using decimal gear head

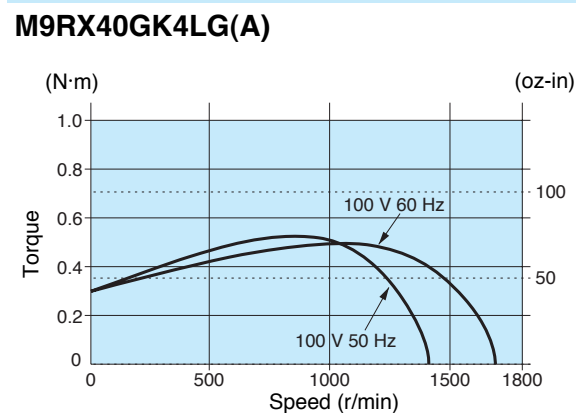
Applicable gear head	Reduction ratio	Permissible torque																
		200	250	300	360	500	600	750	900	1000	1200	1500	1800					
MX9G□B (ball bearing) MX9G□M (metal bearing)	MX9G10XB	Speed (r/min)	[Data omitted]															
		Rotational direction	Same as motor rotational direction								Reverse to motor rotational direction							

Connection diagram



(Refer to page A-58 for connection of thermal protector.)

Speed-torque characteristics

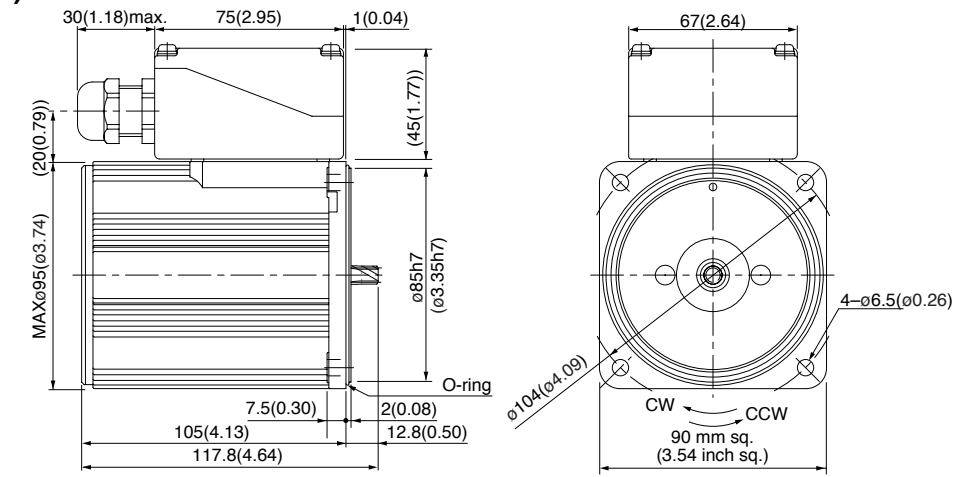


Motor (dimensions)

Scale: 1/3, Unit: mm (inch)

Motor model	4P	40 W	100 V
M9RX40GK4LG(A)	4P	40 W	100 V
M9RX40GK4DG(A)	4P	40 W	110 V / 115 V
M9RX40GK4YG(A)	4P	40 W	200 V
M9RX40GK4GG(A)	4P	40 W	220 V / 230 V

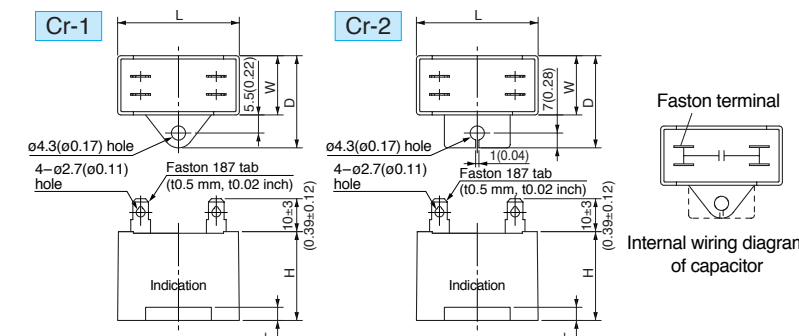
Mass	Helical gear	Module	Number of teeth
2.8 kg 6.17 lb		0.55	9



* Diameter of applicable cable to be ø8 to ø12.

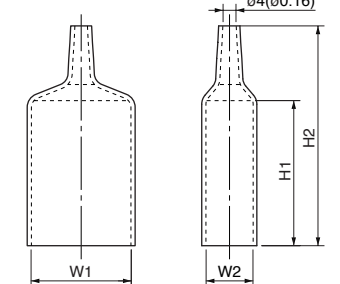
Capacitor (dimensions) [attachment]

Unit: mm (inch)



Capacitor cap (dimensions) [attachment]

Unit: mm (inch)



Capacitor dimension list

Unit: upper (mm) / lower (inch)

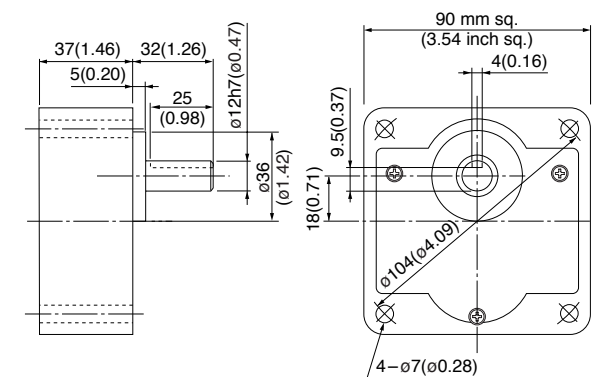
Model number of motor	Model number of capacitor (attachment)	L	W	D	H	T	dimension No.	Capacitor cap (attachment)	W1	W2	H1	H2
M9RX40GK4LG(A)	M0PC16M25G	58 (2.28)	23.5 (0.93)	38.5 (1.52)	37 (1.46)	4 (0.16)	Cr-2	M0PC5823G	58 (2.28)	23.5 (0.93)	55 (2.17)	78 (3.07)
M9RX40GK4DG(A)	M0PC12M25G	58 (2.28)	22 (0.87)	32 (1.26)	35 (1.38)	4 (0.16)	Cr-1	M0PC5822G	58 (2.28)	22 (0.87)	55 (2.17)	78 (3.07)
M9RX40GK4YG(A)	M0PC4M45G	58 (2.28)	23.5 (0.93)	38.5 (1.52)	37 (1.46)	4 (0.16)	Cr-2	M0PC5823G	58 (2.28)	23.5 (0.93)	55 (2.17)	78 (3.07)
M9RX40GK4GG(A)	M0PC3.5M45G	58 (2.28)	22 (0.87)	32 (1.26)	35 (1.38)	4 (0.16)	Cr-1	M0PC5822G	58 (2.28)	22 (0.87)	55 (2.17)	78 (3.07)

The models with a motor model number to which "A" is suffixed are not equipped with a capacitor cap.

Gear head (dimensions)

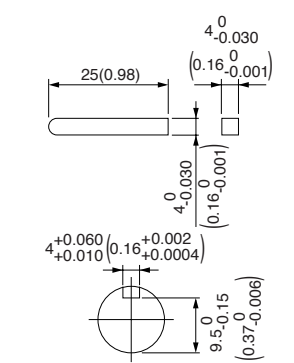
Scale: 1/3, Unit: mm (inch)

MX9G□B (ball bearing) Mass 0.8 kg (1.76 lb) MX9G□M (metal bearing) Mass 0.8 kg (1.76 lb)



Key and keyway (dimensions) [attachment]

MX9G□B(M)



* Please read your User's manual carefully so that you will understand the operation and safety precautions before attempting to operate the system.

(Note) Because the dimensions may be subject to change, also check the determinate dimensions if the gear head is to be used for design.

Reversible motor (sealed connector)

90 mm (3.54 inch) sq. 60 W

Specifications

Size	Motor model No.	Number of pole (P)	Output (W)	Voltage (V)	Frequency (Hz)	Rating (min)	Rating				Starting current (A)	Starting torque N-m (oz-in)	Capacitor (μF) (rated voltage)
							Input (W)	Current (A)	Speed (r/min)	Torque N-m (oz-in)			
90 mm sq.	M9RZ60GK4L	4	60	100	50	30	144	1.5	1200	0.46 (65.1)	2.4	0.50 (70.8)	25 (200 V)
							163	1.5	1500	0.39 (55.2)	2.3	0.53 (75.1)	
	M9RZ60GK4Y	4	60	200	50	30	146	0.74	1225	0.46 (65.1)	1.2	0.53 (75.1)	6.2 (375 V)
							153	0.77	1525	0.39 (55.2)	1.3	0.55 (77.9)	

* The specifications and wire connections of the round shaft motor are the same as those of the pinion shaft type. For the dimensional outline drawing, refer to page B-124.

Permissible torque at output shaft of gear head

* The speed shown below is a calculated value based on the synchronous rotational speed. Depending on the load, the speed is less than the indicated value by 2 % to 20 %.

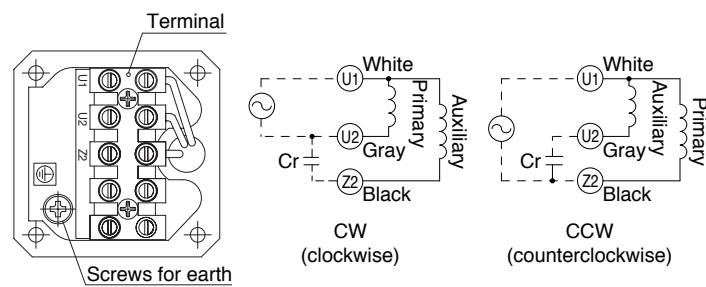
Unit of permissible torque: upper (N·m) / lower (lb-in)

Reduction ratio	Speed (r/min)																							
	50 Hz	60 Hz	3	3.6	5	6	7.5	9	10	12.5	15	18	20	25	30	36	50	60	75	90	100	120	150	180
Applicable gear head	Same as motor rotational direction																							
MZ9G3B to MZ9G200B (ball bearing / hinge not attached)	Reverse to motor rotational direction																							
MY9G3B to MY9G200B (ball bearing / hinge attached)	Same as motor rotational direction																							

Permissible torque at output shaft of gear head using decimal gear head

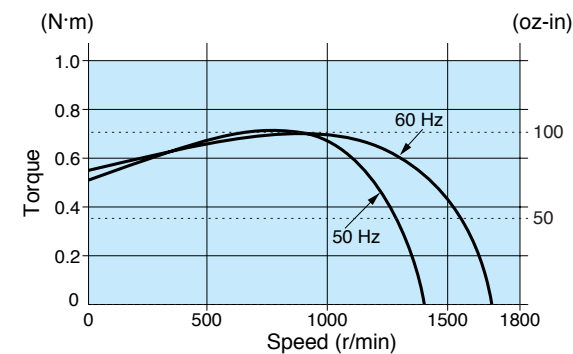
Applicable gear head	Reduction ratio	Speed (r/min)											
		250	300	360	500	600	750	900	1000	1200	1500	1800	
Bearing	Decimal gear head	50 Hz	6	5	4.2	3	2.5	2	1.7	1.5	1.3	1	0.8
MZ9G□B (ball bearing / Hinge not attached)	MZ9G10XB	60 Hz	7.2	6	5	3.6	3	2.4	2	1.8	1.5	1.2	1
MY9G□B (ball bearing / Hinge attached)		Permissible torque	N-m (lb-in)	19.6 (173)	19.6 (173)	19.6 (173)	19.6 (173)	19.6 (173)	19.6 (173)	19.6 (173)	19.6 (173)	19.6 (173)	19.6 (173)
Rotational direction		Reverse to motor rotational direction											
		Same as motor rotational direction											

Connection diagram



Speed-torque characteristics

M9RZ60GK4L



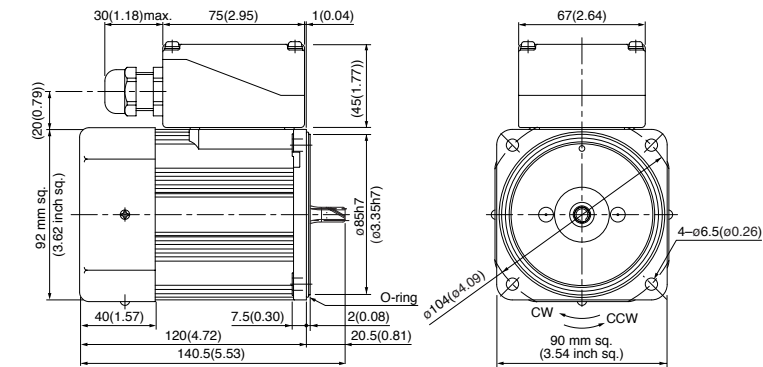
* Please read your User's manual carefully so that you will understand the operation and safety precautions before attempting to operate the system.

Motor (dimensions)

Scale: 1/4, Unit: mm (inch)

M9RZ60GK4L 4P 60 W 100 V (with fan)
M9RZ60GK4Y 4P 60 W 200 V (with fan)

Mass 3.0 kg 6.61 lb
Helical gear
Module 0.5
Number of teeth 9



* Diameter of applicable cable to be ø8 to ø12.

Capacitor (dimensions) [attachment]

Unit: mm (inch)

Capacitor cap (dimensions) [option]

Unit: mm (inch)



Capacitor dimension list Unit: upper (mm) / lower (inch)

Model number of motor	Model number of capacitor (attachment)	L	W	D	H	T	Capacitor cap (option)	W1	W2	W3	W4
M9RZ60GK4L	M0PC25M20	50.2 (1.98)	31 (1.22)	41 (1.61)	42 (1.65)	5 (0.20)	M0PC5032	50 (1.97)	48 (1.89)	32.5 (1.28)	29.5 (1.16)
M9RZ60GK4Y	M0PC6.2M38	50 (1.97)	30.5 (1.20)	41 (1.61)	41.5 (1.63)	4 (0.16)	M0PC5032	50 (1.97)	48 (1.89)	32.5 (1.28)	29.5 (1.16)

Gear head (dimensions)

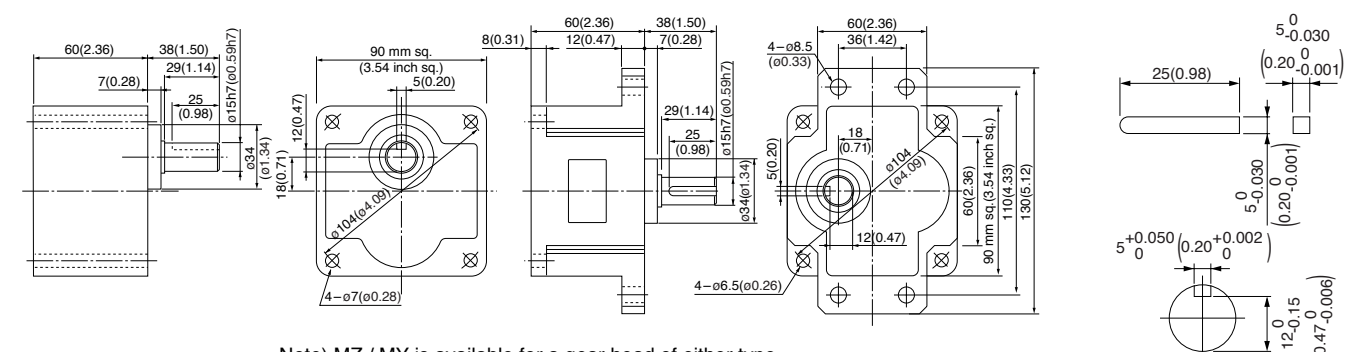
Scale: 1/4, Unit: mm (inch)

MZ9G□B (ball bearing / hinge not attached)
Mass 1.4 kg (3.09 lb)

MY9G□B (ball bearing / hinge attached)
Mass 1.4 kg (3.09 lb)

Key and keyway (dimensions) [attachment]

MZ9G□B
MY9G□B



Note) MZ / MY is available for a gear head of either type.

(Note) Because the dimensions may be subject to change, also check the determinate dimensions if the gear head is to be used for design.

Induction motor
Reversible motor
3-phase motor
Electromagnetic brake motor
Variable speed induction motor
Variable speed reversible motor
Variable speed electromagnetic brake single-phase motor
Variable speed unit motor
C&B motor
2-pole round shaft motor
Gear head
Gear head -inch (U.S.A.)

Reversible motor (sealed connector)

US CE 90 mm (3.54 inch) sq. 60 W

Specifications

Size	Motor model No.	Number of pole (P)	Output (W)	Voltage (V)	Frequency (Hz)	Rating (min)	Rating				Starting current (A)	Starting torque N-m (oz-in)	Capacitor (μF) (rated voltage)
							Input (W)	Current (A)	Speed (r/min)	Torque N-m (oz-in)			
90 mm sq.	M9RZ60GK4LG M9RZ60GK4LGA	4	60	100	50	30	137	1.4	1250	0.46 (65.1)	2.4	0.51 (72.2)	25 (250 V)
					60		147	1.5	1550	0.37 (52.4)	2.4	0.53 (75.1)	
	M9RZ60GK4DG M9RZ60GK4DGA	4	60	110	60	30	138	1.3	1575	0.36 (51.0)	2.5	0.50 (70.8)	20 (250 V)
					60		144	1.3	1600	0.36 (51.0)	2.6	0.55 (77.9)	
	M9RZ60GK4YG M9RZ60GK4YGA	4	60	200	50	30	135	0.67	1200	0.48 (68.0)	1.0	0.51 (72.2)	6 (450 V)
					60		158	0.81	1500	0.38 (53.8)	1.1	0.53 (75.1)	
	M9RZ60GK4GG M9RZ60GK4GGA	4	60	220	50	30	137	0.64	1225	0.47 (66.6)	1.1	0.50 (70.8)	5 (450 V)
					60		145	0.67	1550	0.37 (52.4)	1.1	0.52 (73.6)	
					50		145	0.66	1275	0.45 (63.7)	1.1	0.57 (80.7)	
					60		151	0.67	1575	0.36 (51.0)	1.1	0.57 (80.7)	

The specifications and wire connections of the round shaft motor are the same as those of the pinion shaft type. For the dimensional outline drawing, refer to page B-124.
The models with a motor model number to which "A" is suffixed are not equipped with a capacitor cap.
The models with a motor model number to which "A" is suffixed are not sold or available in Japan.

Permissible torque at output shaft of gear head

The speed shown below is a calculated value based on the synchronous rotational speed. Depending on the load, the speed is less than the indicated value by 2% to 20%.

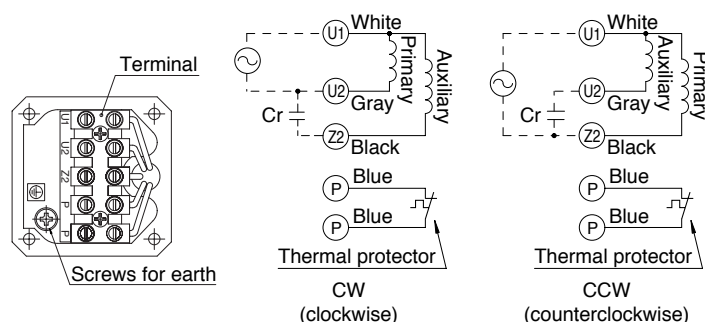
Unit of permissible torque: upper (N·m) / lower (lb-in)

Reduction ratio	3	3.6	5	6	7.5	9	10	12.5	15	18	20	25	30	36	50	60	75	90	100	120	150	180	200	
Speed (r/min)	50 Hz	500	416.7	300	250	200	166.7	150	120	100	83.3	75	60	50	41.7	30	25	20	16.7	15	12.5	10	8.3	7.5
Applicable gear head	50 Hz	0.98 (8.7)	1.18 (10.4)	1.57 (13.9)	1.96 (17.3)	2.35 (20.8)	2.94 (26.0)	3.14 (27.8)	3.92 (34.7)	4.70 (41.6)	5.59 (49.5)	6.27 (55.5)	7.55 (66.8)	9.11 (80.6)	11.0 (97.4)	15.2 (135)	17.8 (158)							19.6 (173)
	60 Hz	0.78 (6.9)	0.98 (8.7)	1.37 (12.1)	1.57 (13.9)	1.96 (17.3)	2.35 (20.8)	2.65 (23.5)	3.33 (29.5)	3.92 (34.7)	4.70 (41.6)	5.29 (46.8)	6.47 (57.3)	7.55 (66.8)	9.11 (80.6)	12.6 (112)	15.2 (135)							19.6 (173)
Rotational direction	Same as motor rotational direction											Reverse to motor rotational direction					Same as motor rotational direction							

Permissible torque at output shaft of gear head using decimal gear head

Applicable gear head		Reduction ratio	Speed (r/min)												
Bearing	Decimal gear head		50 Hz	60 Hz	6	5	4.2	3	2.5	2	1.7	1.5	1.3	1	0.8
MZ9G□B (ball bearing / hinge not attached)	MZ9G10XB	Permissible torque	N·m	19.6	19.6	19.6	19.6	19.6	19.6	19.6	19.6	19.6	19.6	19.6	19.6
MY9G□B (ball bearing / hinge attached)			(lb-in)	(173)	(173)	(173)	(173)	(173)	(173)	(173)	(173)	(173)	(173)	(173)	(173)
Rotational direction			Reverse to motor rotational direction			Same as motor rotational direction									

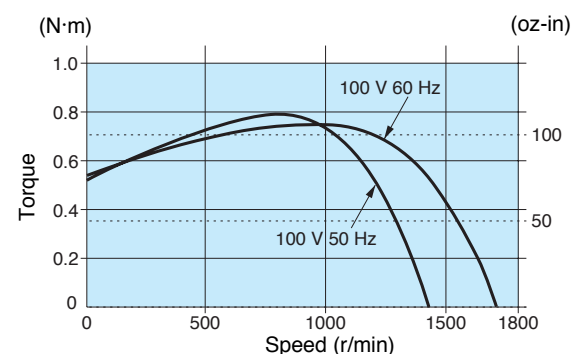
Connection diagram



(Refer to page A-58 for connection of thermal protector.)

Speed-torque characteristics

M9RZ60GK4LG(A)

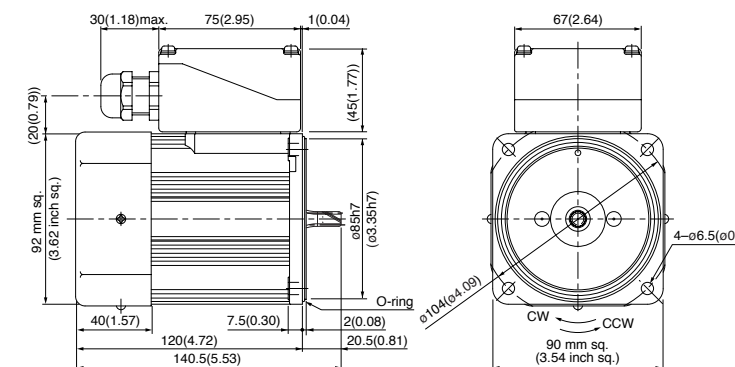


Motor (dimensions)

Scale: 1/4, Unit: mm (inch)

M9RZ60GK4LG(A)	4P	60 W	100 V (with fan)
M9RZ60GK4DG(A)	4P	60 W	110 V / 115 V (with fan)
M9RZ60GK4YG(A)	4P	60 W	200 V (with fan)
M9RZ60GK4GG(A)	4P	60 W	220 V / 230 V (with fan)

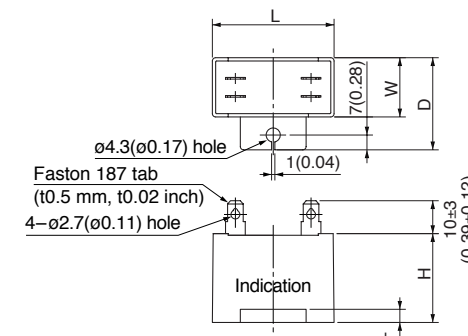
Mass	Helical gear	Module	Number of teeth
3.0 kg 6.61 lb		0.6	9



* Diameter of applicable cable to be ø8 to ø12.

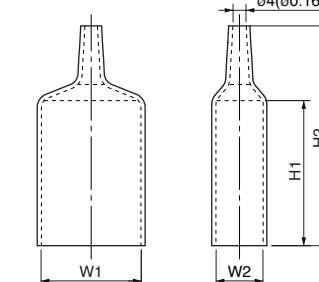
Capacitor (dimensions) [attachment]

Unit: mm (inch)



Capacitor cap (dimensions) [attachment]

Unit: mm (inch)



Capacitor dimension list

Unit: upper (mm) / lower (inch)

Model number of motor	Model number of capacitor (attachment)	L	W	D	H	T	Capacitor cap (attachment)	W1	W2	H1	H2
M9RZ60GK4LG(A)	M0PC25M25G	58 (2.28)	35 (1.38)	50 (1.97)	50 (1.97)	4 (0.16)	M0PC5835G	58 (2.28)	35 (1.38)	55 (2.17)	78 (3.07)
M9RZ60GK4DG(A)	M0PC20M25G	58 (2.28)	29 (1.14)	44 (1.73)	41 (1.61)	4 (0.16)	M0PC5829G	58 (2.28)	29 (1.14)	55 (2.17)	78 (3.07)
M9RZ60GK4YG(A)	M0PC6M45G	58 (2.28)	29 (1.14)	44 (1.73)	41 (1.61)	4 (0.16)	M0PC5829G	58 (2.28)	29 (1.14)	55 (2.17)	78 (3.07)
M9RZ60GK4GG(A)	M0PC5M45G	58 (2.28)	29 (1.14)	44 (1.73)	41 (1.61)	4 (0.16)	M0PC5829G	58 (2.28)	29 (1.14)	55 (2.17)	78 (3.07)

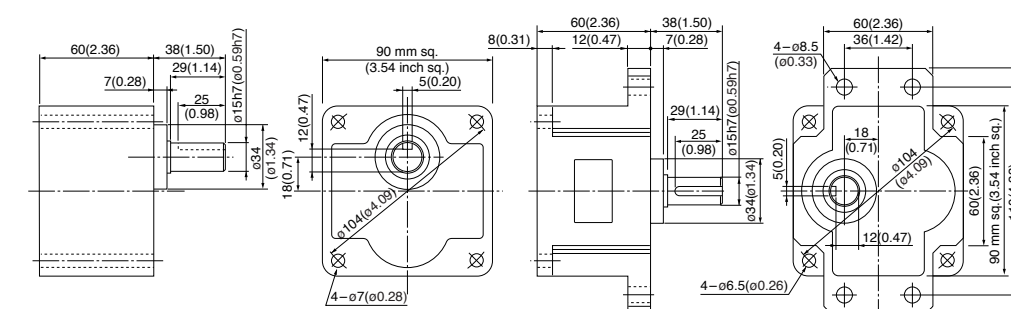
The models with a motor model number to which "A" is suffixed are not equipped with a capacitor cap.

Gear head (dimensions)

Scale: 1/4, Unit: mm (inch)

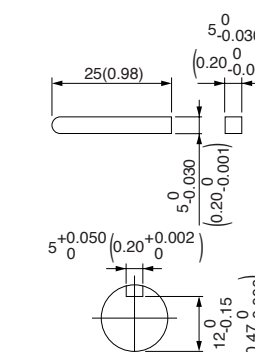
MZ9G□B (ball bearing / hinge not attached)
Mass 1.4 kg (3.09 lb)

MY9G□B (ball bearing / hinge attached)
Mass 1.4 kg (3.09 lb)



Key and keyway (dimensions) [attachment]

MZ9G□B
MY9G□B



Note) MZ / MY is available for a gear head of either type.

(Note) Because the dimensions may be subject to change, also check the determinate dimensions if the gear head is to be used for design.

Reversible motor (sealed connector)

US CE CCC **90 mm (3.54 inch) sq. 90 W**

Specifications

Size	Motor model No.	Number of pole (P)	Output (W)	Voltage (V)	Frequency (Hz)	Rating (min)	Rating				Starting current (A)	Starting torque N-m (oz-in)	Capacitor (μF) (rated voltage)
							Input (W)	Current (A)	Speed (r/min)	Torque N-m (oz-in)			
90 mm sq.	M9RZ90GK4LG M9RZ90GK4LGA	4	90	100	50	30	195	2.0	1175	0.73 (103)	3.0	0.68 (96.3)	32 (250 V)
							203	2.0	1525	0.57 (80.7)	2.9	0.68 (96.3)	28
	M9RZ90GK4DG M9RZ90GK4DGA	4	90	110	60	30	201	1.8	1550	0.55 (77.9)	3.1	0.72 (102)	(250 V)
							209	1.8	1575	0.55 (77.9)	3.2	0.79 (112)	(250 V)
	M9RZ90GK4YG M9RZ90GK4YGA	4	90	200	50	30	185	0.93	1175	0.73 (103)	1.4	0.68 (96.3)	8 (450 V)
							206	1.1	1500	0.57 (80.7)	1.4	0.68 (96.3)	(450 V)
	M9RZ90GK4GG M9RZ90GK4GGA	4	90	220	60	30	191	0.89	1225	0.70 (99.1)	1.5	0.72 (102)	7 (450 V)
							197	0.90	1550	0.55 (77.9)	1.4	0.72 (102)	
							202	0.92	1250	0.69 (97.7)	1.6	0.79 (112)	
							204	0.88	1575	0.55 (77.9)	1.5	0.79 (112)	

The specifications and wire connections of the round shaft motor are the same as those of the pinion shaft type. For the dimensional outline drawing, refer to page B-124.

The models with a motor model number to which "A" is suffixed are not equipped with a capacitor cap. The models with a motor model number to which "A" is suffixed are not sold or available in Japan.

Permissible torque at output shaft of gear head

The speed shown below is a calculated value based on the synchronous rotational speed. Depending on the load, the speed is less than the indicated value by 2% to 20%.

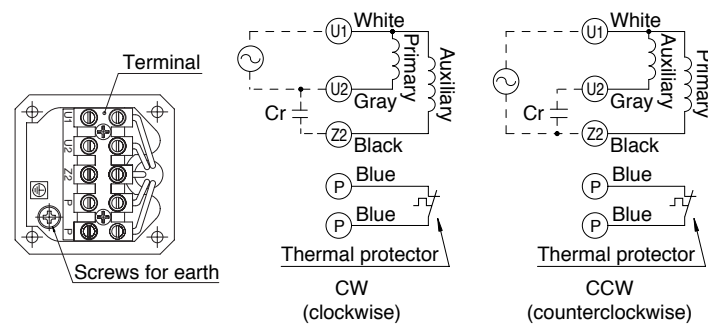
Unit of permissible torque: upper (N·m) / lower (lb-in)

Reduction ratio	3	3.6	5	6	7.5	9	10	12.5	15	18	20	25	30	36	50	60	75	90	100	120	150	180	200			
Speed (r/min)	50 Hz	500	416.7	300	250	200	166.7	150	120	100	83.3	75	60	50	41.7	30	25	20	16.7	15	12.5	10	8.3	7.5		
Applicable gear head	50 Hz	1.37 (12.1)	1.67 (14.8)	2.25 (19.9)	2.74 (24.3)	3.43 (30.4)	4.12 (36.5)	4.51 (39.9)	5.68 (50.3)	6.76 (59.8)	8.04 (71.2)	9.02 (79.8)	10.9 (96.5)	13.0 (115)	15.7 (139)	19.6 (173)										
	60 Hz	1.18 (10.4)	1.37 (12.1)	1.86 (16.5)	2.25 (19.9)	2.84 (25.1)	3.43 (30.4)	3.72 (32.9)	4.70 (41.6)	5.68 (50.3)	6.76 (59.8)	7.55 (66.8)	9.21 (81.5)	10.9 (96.5)	13.0 (115)	18.3 (162)										
Rotational direction	Same as motor rotational direction										Reverse to motor rotational direction					Same as motor rotational direction										

Permissible torque at output shaft of gear head using decimal gear head

Applicable gear head		Reduction ratio	Speed (r/min)												
Bearing	Decimal gear head		50 Hz	60 Hz	6	5	4.2	3	2.5	2	1.7	1.5	1.3	1	0.8
MZ9G□B (ball bearing / hinge not attached)	MZ9G10XB	Permissible torque	N·m (lb-in)	19.6 (173)	19.6 (173)	19.6 (173)	19.6 (173)	19.6 (173)	19.6 (173)	19.6 (173)	19.6 (173)	19.6 (173)	19.6 (173)	19.6 (173)	19.6 (173)
MY9G□B (ball bearing / hinge attached)				Rotational direction	Reverse to motor rotational direction	Same as motor rotational direction									

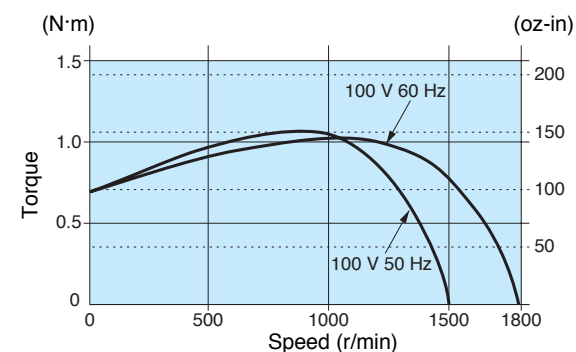
Connection diagram



(Refer to page A-58 for connection of thermal protector.)

Speed-torque characteristics

M9RZ90GK4LG(A)

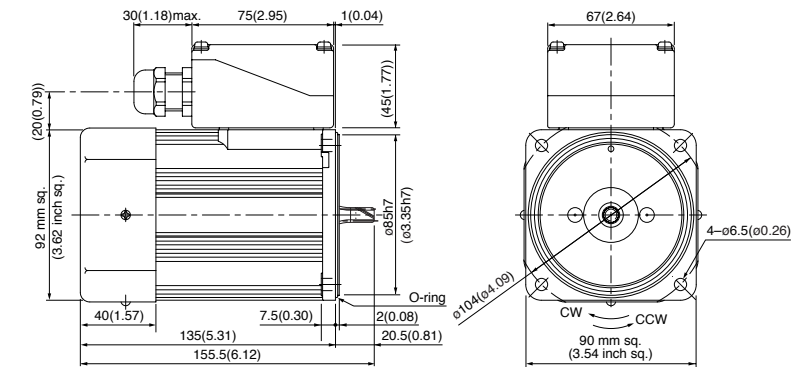


Motor (dimensions)

Scale: 1/4, Unit: mm (inch)

M9RZ90GK4LG(A)	4P	90 W	100 V (with fan)
M9RZ90GK4DG(A)	4P	90 W	110 V / 115 V (with fan)
M9RZ90GK4YG(A)	4P	90 W	200 V (with fan)
M9RZ90GK4GG(A)	4P	90 W	220 V / 230 V (with fan)

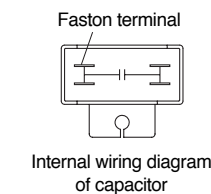
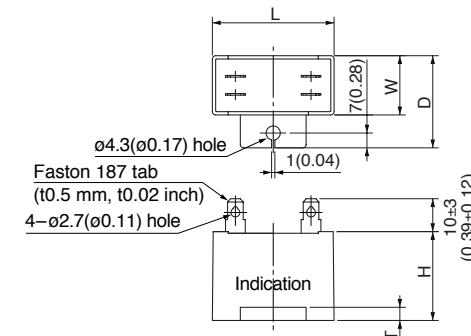
Mass	Helical gear	Module	Number of teeth
3.3 kg (7.28 lb)		0.6	9



* Diameter of applicable cable to be ø8 to ø12.

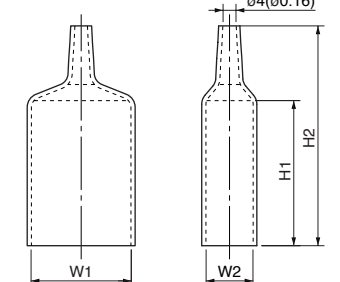
Capacitor (dimensions) [attachment]

Unit: mm (inch)



Capacitor cap (dimensions) [attachment]

Unit: mm (inch)



Capacitor dimension list

Model number of motor	Model number of capacitor (attachment)	L	W	D	H	T	Capacitor cap (attachment)	W1	W2	H1	H2
M9RZ90GK4LG(A)	M0PC32M25G	58 (2.28)	35 (1.38)	50 (1.97)	50 (1.97)	4 (0.16)	M0PC5835G	58 (2.28)	35 (1.38)	55 (2.17)	78 (3.07)
M9RZ90GK4DG(A)	M0PC28M25G	58 (2.28)	35 (1.38)	50 (1.97)	50 (1.97)	4 (0.16)	M0PC5835G	58 (2.28)	35 (1.38)	55 (2.17)	78 (3.07)
M9RZ90GK4YG(A)	M0PC8M45G	58 (2.28)	35 (1.38)	50 (1.97)	50 (1.97)	4 (0.16)	M0PC5835G	58 (2.28)	35 (1.38)	55 (2.17)	78 (3.07)
M9RZ90GK4GG(A)	M0PC7M45G	58 (2.28)	35 (1.38)	50 (1.97)	50 (1.97)	4 (0.16)	M0PC5835G	58 (2.28)	35 (1.38)	55 (2.17)	78 (3.07)

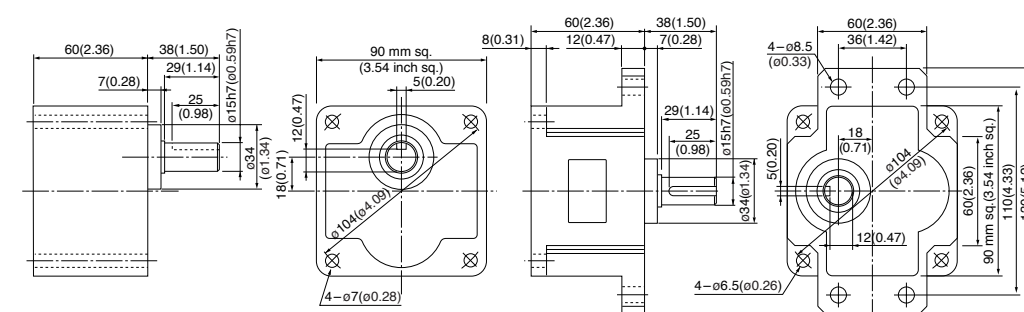
The models with a motor model number to which "A" is suffixed are not equipped with a capacitor cap.

Gear head (dimensions)

Scale: 1/4, Unit: mm (inch)

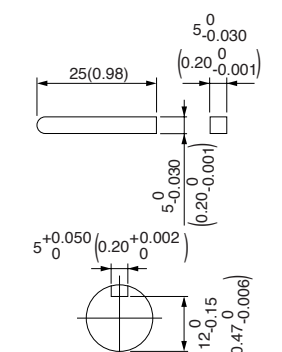
MZ9G□B (ball bearing / hinge not attached)
Mass 1.4 kg (3.09 lb)

MY9G□B (ball bearing / hinge attached)
Mass 1.4 kg (3.09 lb)



Key and keyway (dimensions) [attachment]

MZ9G□B
MY9G□B



Note) MZ / MY is available for a gear head of either type.

(Note) Because the dimensions may be subject to change, also check the determinate dimensions if the gear head is to be used for design.

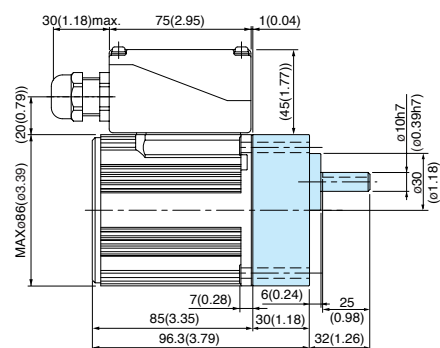
Reversible motor (sealed connector) Gear head combination dimensions

Scale: 1/4, Unit: mm (inch)

* Gear head is sold separately.

80 mm sq. (3.15 inch sq.) 25 W

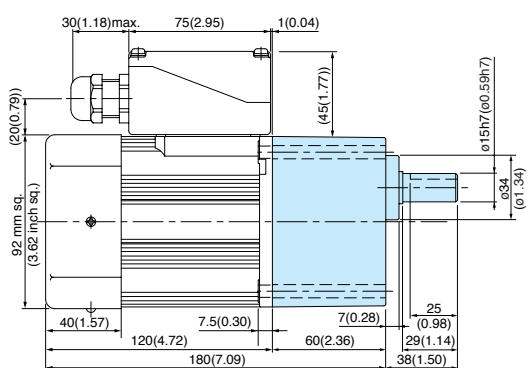
- M8RX25GK4L + MX8G□B(M)
- M8RX25GK4Y + MX8G□B(M)
- M8RX25GK4LG(A) + MX8G□B(M)
- M8RX25GK4DG(A) + MX8G□B(M)
- M8RX25GK4YG(A) + MX8G□B(M)
- M8RX25GK4GG(A) + MX8G□B(M)



* Diameter of applicable cabtyre cable to be $\phi 8(\phi 0.31)$ to $\phi 12(\phi 0.47)$.

90 mm sq. (3.54 inch sq.) 60 W

- M9RZ60GK4L + MZ9G□B (MY9G□B)
- M9RZ60GK4Y + MZ9G□B (MY9G□B)
- M9RZ60GK4LG(A) + MZ9G□B (MY9G□B)
- M9RZ60GK4DG(A) + MZ9G□B (MY9G□B)
- M9RZ60GK4YG(A) + MZ9G□B (MY9G□B)
- M9RZ60GK4GG(A) + MZ9G□B (MY9G□B)

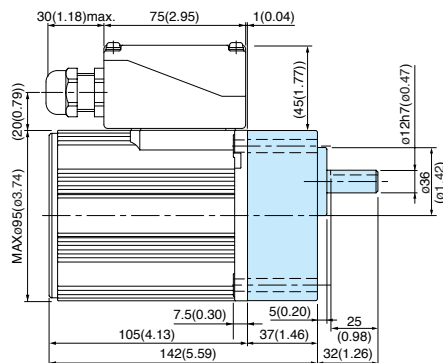


* Diameter of applicable cabtyre cable to be $\phi 8(\phi 0.31)$ to $\phi 12(\phi 0.47)$.

* Refer to page B-444 for high torque gear head.

90 mm sq. (3.54 inch sq.) 40 W

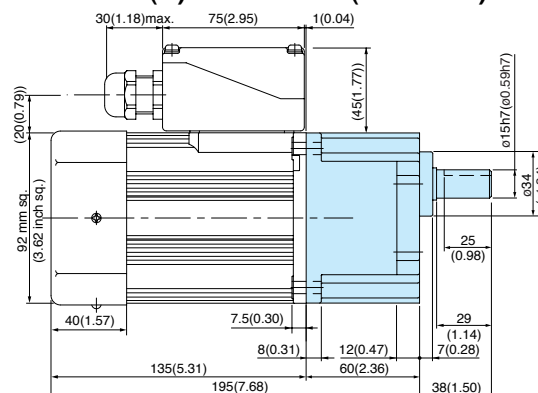
- M9RX40GK4L + MX9G□B(M)
- M9RX40GK4Y + MX9G□B(M)
- M9RX40GK4LG(A) + MX9G□B(M)
- M9RX40GK4DG(A) + MX9G□B(M)
- M9RX40GK4YG(A) + MX9G□B(M)
- M9RX40GK4GG(A) + MX9G□B(M)



* Diameter of applicable cabtyre cable to be $\phi 8(\phi 0.31)$ to $\phi 12(\phi 0.47)$.

90 mm sq. (3.54 inch sq.) 90 W

- M9RZ90GK4L + MY9G□B (MZ9G□B)
- M9RZ90GK4Y + MY9G□B (MZ9G□B)
- M9RZ90GK4LG(A) + MY9G□B (MZ9G□B)
- M9RZ90GK4DG(A) + MY9G□B (MZ9G□B)
- M9RZ90GK4YG(A) + MY9G□B (MZ9G□B)
- M9RZ90GK4GG(A) + MY9G□B (MZ9G□B)



* Diameter of applicable cabtyre cable to be $\phi 8(\phi 0.31)$ to $\phi 12(\phi 0.47)$.

* Refer to page B-444 for high torque gear head.

* The models with a motor model number to which "A" is suffixed are not equipped with a capacitor cap.

* The models with a motor model number to which "A" is suffixed are not sold or available in Japan.

* Please read your User's manual carefully so that you will understand the operation and safety precautions before attempting to operate the system.

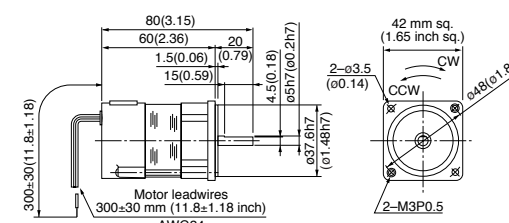
Reversible motor (4-pole round shaft / leadwire) Dimensions

Scale: 1/4, Unit: mm (inch)

42 mm sq. (1.65 inch sq.) 1 W

Mass
0.3 kg (0.66 lb)

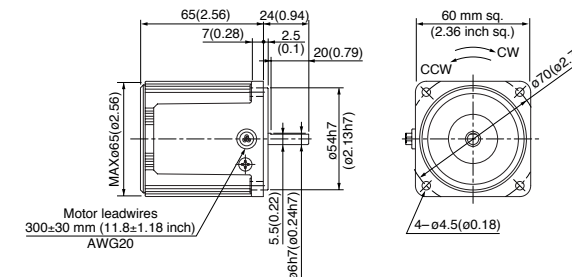
M4RA1S4L



60 mm sq. (2.36 inch sq.) 4 W

Mass
0.56 kg (1.23 lb)

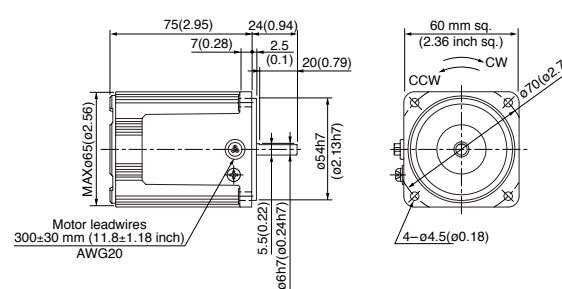
M6RX4S4LS



60 mm sq. (2.36 inch sq.) 6 W

Mass
0.67 kg (1.48 lb)

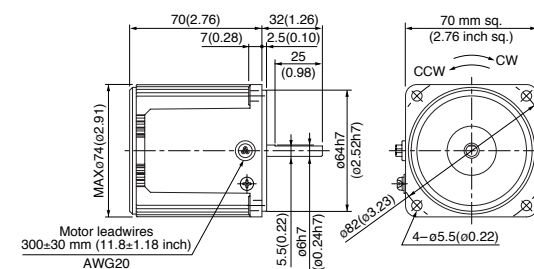
- M6RX6S4LS M6RX6S4LG(A) M6RX6S4YG(A)
- M6RX6S4YS M6RX6S4DG(A) M6RX6S4GG(A)



70 mm sq. (2.76 inch sq.) 10 W

Mass
0.84 kg (1.85 lb)

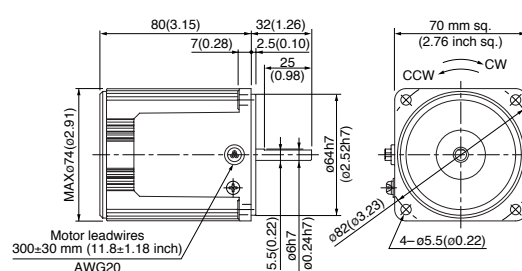
- M7RX10S4LS
- M7RX10S4YS



70 mm sq. (2.76 inch sq.) 15 W

Mass
1.1 kg (2.43 lb)

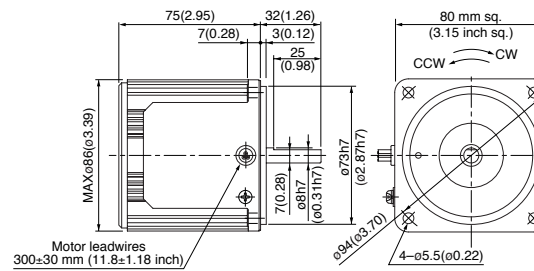
- M7RX15S4LS M7RX15S4LG(A) M7RX15S4YG(A)
- M7RX15S4YS M7RX15S4DG(A) M7RX15S4GG(A)



80 mm sq. (3.15 inch sq.) 20 W

Mass
1.2 kg (2.65 lb)

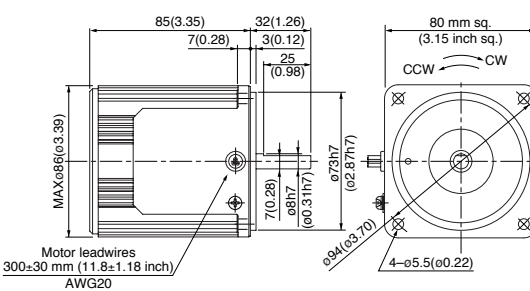
- M8RX20S4LS
- M8RX20S4YS



80 mm sq. (3.15 inch sq.) 25 W

Mass
1.5 kg (3.31 lb)

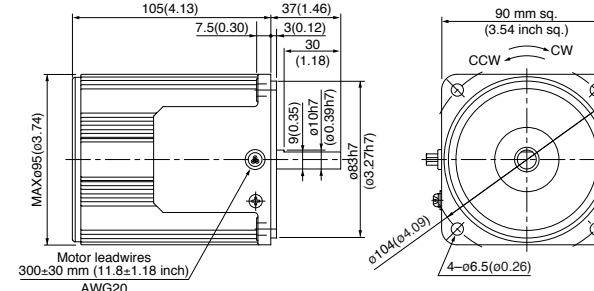
- M8RX25S4LS M8RX25S4LG(A) M8RX25S4YG(A)
- M8RX25S4YS M8RX25S4DG(A) M8RX25S4GG(A)



90 mm sq. (3.54 inch sq.) 40 W

Mass
2.4 kg (5.29 lb)

- M9RX40S4LS M9RX40S4LG(A) M9RX40S4YG(A)
- M9RX40S4YS M9RX40S4DG(A) M9RX40S4GG(A)



* Please refer to the pinion shaft motor for wiring and specifications of the motor.

(Note) Because the dimensions may be subject to change, also check the determinate dimensions if the gear head is to be used for design.

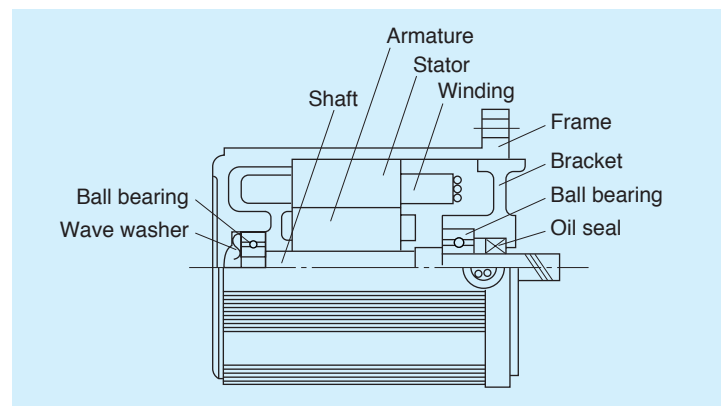
Outline of 3-phase motor

Features

- The 3-phase motor is an induction motor for 3-phase power.
- Continuous time rating
- The motor with national specifications is of heatproof class 120 (E); the motor with specifications compliant with overseas standards is of heatproof class 130 (B).

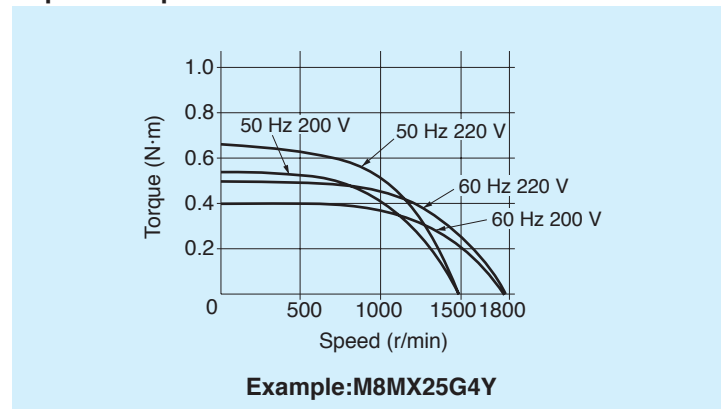
Note) 3-phase motor start-stop operation must not exceed 6-cycles per minute or damage may occur.

Construction

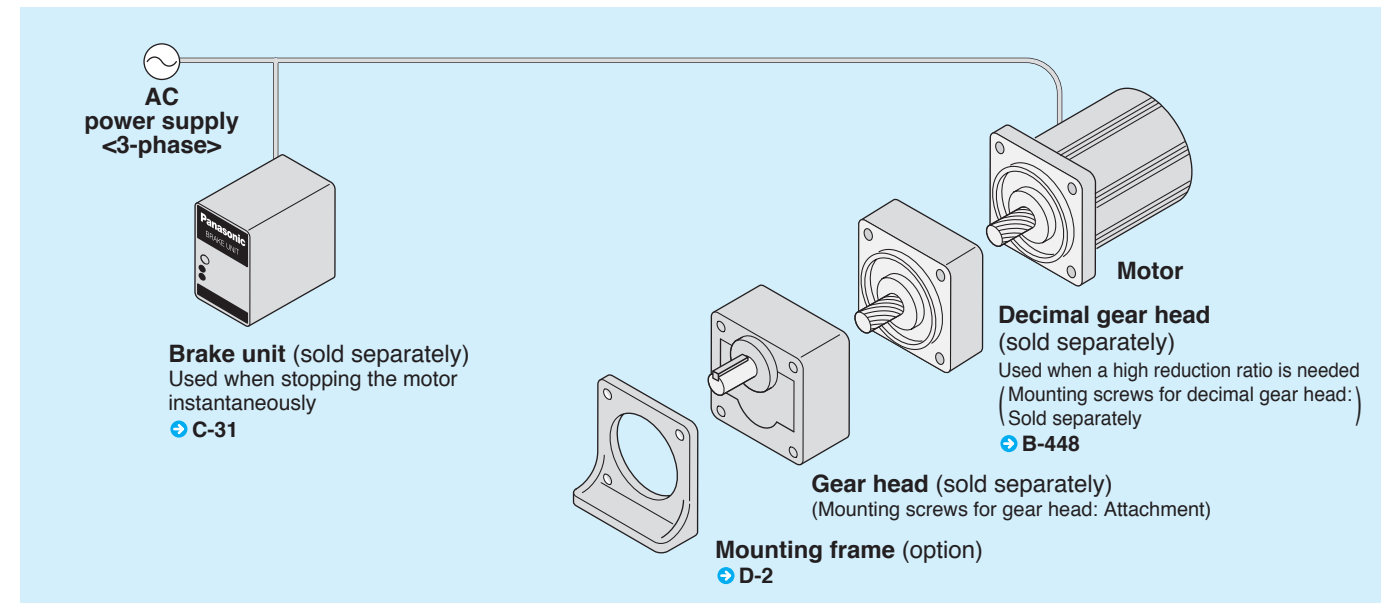


Characteristics

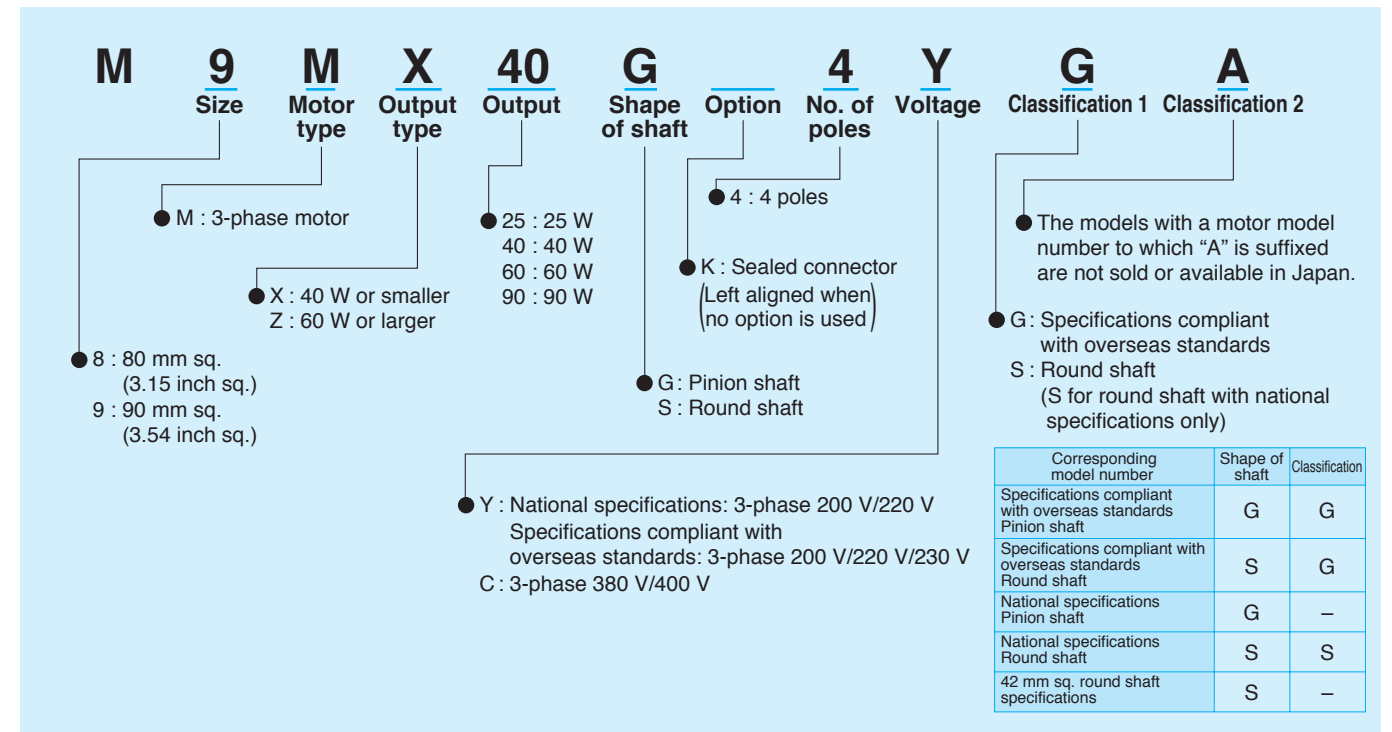
Speed-torque characteristics



System configuration diagram



Coding system



Fit tolerance

Fit tolerance symbol is used in the outside dimension diagram of motor and gear head. For further information, see "Fit tolerance" on page A-33.

Model list of 3-phase motor

Pinion shaft motor

Applicable gear head

★ Motor compliant with overseas standards Ⓜ Motor compliant with China efficiency standards c

Size	Output (W)	Leadwire type			Sealed connector type		
		Model number	Specifications	Page	Model number	Specifications	Page
80 mm sq. (3.15 inch sq.)	25	M8MX25G4Y	200 V/220 V	B-130	M8MX25GK4Y	200 V/220 V	B-146
		M8MX25G4YG(A)	200 V/220 V/230 V ★	B-132	M8MX25GK4YG(A)	200 V/220 V/230 V ★	B-148
					M8MX25GK4CG(A)	380 V/400 V ★ Ⓜ	B-148
90 mm sq. (3.54 inch sq.)	40	M9MX40G4Y	200 V/220 V	B-134	M9MX40GK4Y	200 V/220 V	B-150
		M9MX40G4YG(A)	200 V/220 V/230 V ★	B-136	M9MX40GK4YG(A)	200 V/220 V/230 V ★	B-152
					M9MX40GK4CG(A)	380 V/400 V ★ Ⓜ	B-152
	60	M9MZ60G4Y	200 V/220 V	B-138	M9MZ60GK4Y	200 V/220 V	B-154
		M9MZ60G4YG(A)	200 V/220 V/230 V ★	B-140	M9MZ60GK4YG(A)	200 V/220 V/230 V ★	B-156
					M9MZ60GK4CG(A)	380 V/400 V ★ Ⓜ	B-156
	90	M9MZ90G4Y	200 V/220 V	B-142	M9MZ90GK4Y	200 V/220 V	B-158
		M9MZ90G4YG(A)	200 V/220 V/230 V ★	B-144	M9MZ90GK4YG(A)	200 V/220 V/230 V ★	B-160
					M9MZ90GK4CG(A)	380 V/400 V ★ Ⓜ	B-160

Hinge attached

Standard gear head		High torque gear head	Right-angle gear head	Gear head -Inch (U.S.A.)	Decimal gear head
Ball bearing	metal bearing				
MX8G□B	MX8G□M	—	—	MX9G□BU	MX8G10XB
MX9G□B	MX9G□M	—	MX9G□R	MX9G□BU	MX9G10XB
MZ9G□B	—	MR9G□B	MZ9G□R	MZ9G□BU	MZ9G10XB
MY9G□B	—	MP9G□B			

* Refer to page B-444 for dimensions and permissible torque of high torque gear head.
 Refer to page B-446 for dimensions and permissible torque of right-angle gear head.
 Refer to page B-451 for dimensions and permissible torque of gear head -Inch (U.S.A.).
 Refer to page B-448 for dimensions of decimal gear head.

Round shaft motor

★ Motor compliant with overseas standards Ⓜ Motor compliant with China efficiency standards c
 Ⓟ Electrical Appliance and Material Safety Law

Size	Output (W)	Leadwire type		Sealed connector type	
		Model number	Specifications	Model number	Specifications
80 mm sq. (3.15 inch sq.)	25	M8MX25S4YS	200 V/220 V	M8MX25SK4YS	200 V/220 V Ⓟ
		M8MX25S4YG(A)	200 V/220 V/230 V ★	M8MX25SK4YG(A)	200 V/220 V/230 V ★ Ⓟ
				M8MX25SK4CG(A)	380 V/400 V ★ Ⓜ
90 mm sq. (3.54 inch sq.)	40	M9MX40S4YS	200 V/220 V	M9MX40SK4YS	200 V/220 V Ⓟ
		M9MX40S4YG(A)	200 V/220 V/230 V ★	M9MX40SK4YG(A)	200 V/220 V/230 V ★ Ⓟ
				M9MX40SK4CG(A)	380 V/400 V ★ Ⓜ
	60	M9MZ60S4YS	200 V/220 V	M9MZ60SK4YS	200 V/220 V Ⓟ
		M9MZ60S4YG(A)	200 V/220 V/230 V ★	M9MZ60SK4YG(A)	200 V/220 V/230 V ★ Ⓟ
				M9MZ60SK4CG(A)	380 V/400 V ★ Ⓜ
	90	M9MZ90S4YS	200 V/220 V	M9MZ90SK4YS	200 V/220 V Ⓟ
		M9MZ90S4YG(A)	200 V/220 V/230 V ★	M9MZ90SK4YG(A)	200 V/220 V/230 V ★ Ⓟ
				M9MZ90SK4CG(A)	380 V/400 V ★ Ⓜ

* The specifications and wire connections of the round shaft motor are the same as those of the pinion shaft motor.
 Dimensional outline drawing → Page B-164.

<Notice>

380 V/400 V 3-phase round shaft motors with a sealed connector are not covered by the Electrical Appliance and Material Safety Law.

Specifications

Size	Motor model No.	Number of pole (P)	Output (W)	Voltage (V)	Frequency (Hz)	Rating (min)	Rating				Starting current (A)	Starting torque N-m (oz-in)
							Input (W)	Current (A)	Speed (r/min)	Torque N-m (oz-in)		
80 mm sq.	M8MX25G4Y	4	25	200	50	Cont.	50	0.25	1350	0.18 (25.5)	0.62	0.54 (76.5)
							47	0.22	1625	0.15 (21.2)	0.58	0.40 (56.6)
				220	50	Cont.	54	0.27	1375	0.18 (25.5)	0.67	0.66 (93.5)
							49	0.23	1650	0.15 (21.2)	0.64	0.50 (70.8)

* The specifications and wire connections of the round shaft motor are the same as those of the pinion shaft type. For the dimensional outline drawing, refer to page B-164.

Permissible torque at output shaft of gear head

* The speed shown below is a calculated value based on the synchronous rotational speed. Depending on the load, the speed is less than the indicated value by 2 % to 20 %.

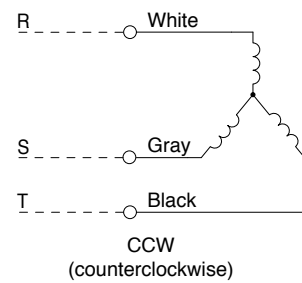
Unit of permissible torque: upper (N-m) / lower (lb-in)

Reduction ratio	Speed (r/min)																												
	50 Hz	60 Hz	3	3.6	5	6	7.5	9	10	12.5	15	18	20	25	30	36	50	60	75	90	100	120	150	180					
MX8G3B to MX8G180B (ball bearing)	0.39 (3.45)	0.47 (4.16)	0.66 (5.84)	0.78 (6.90)	0.98 (8.67)	1.18 (10.4)	1.27 (11.2)	1.57 (13.9)	1.96 (17.3)	2.35 (20.8)	2.55 (22.6)	3.14 (27.8)	3.82 (33.8)	4.61 (40.8)	6.37 (56.4)	7.64 (67.6)							7.84 (69.4)						
MX8G3M to MX8G180M (metal bearing)	0.32 (2.83)	0.39 (3.45)	0.55 (4.87)	0.66 (5.84)	0.81 (7.17)	0.98 (8.67)	1.08 (9.56)	1.27 (11.2)	1.57 (13.9)	1.96 (17.3)	2.06 (18.2)	2.65 (23.5)	3.14 (27.8)	3.82 (33.8)	5.29 (46.8)	6.37 (56.4)							7.84 (69.4)						
Rotational direction	Same as motor rotational direction												Reverse to motor rotational direction																

Permissible torque at output shaft of gear head using decimal gear head

Applicable gear head		Reduction ratio	Speed (r/min)														
Bearing	Decimal gear head		50 Hz	60 Hz	7.5	6	5	4.2	3	2.5	2	1.7	1.5	1.3	1	0.8	
MX8G□B (ball bearing)	MX8G10XB	Permissible torque	7.84 (69.4)	7.84 (69.4)	7.84 (69.4)	7.84 (69.4)	7.84 (69.4)	7.84 (69.4)	7.84 (69.4)	7.84 (69.4)	7.84 (69.4)	7.84 (69.4)	7.84 (69.4)	7.84 (69.4)	7.84 (69.4)	7.84 (69.4)	
MX8G□M (metal bearing)		Rotational direction	Same as motor rotational direction			Reverse to motor rotational direction											

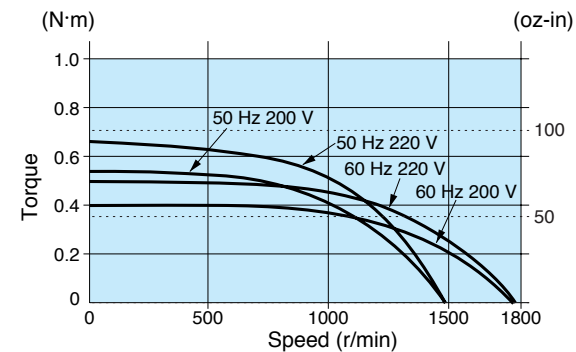
Connection diagram



Change any two lead wires of R, S and T for CW rotation.

Speed-torque characteristics

M8MX25G4Y

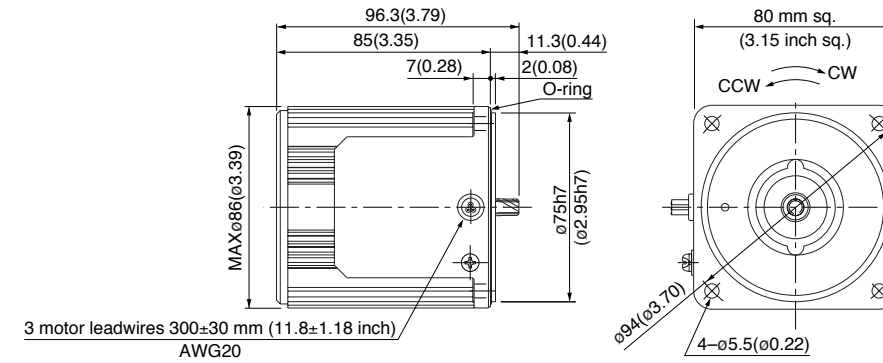


Motor (dimensions)

M8MX25G4Y 4P 25 W 200 V / 220 V

Scale: 1/3, Unit: mm (inch)

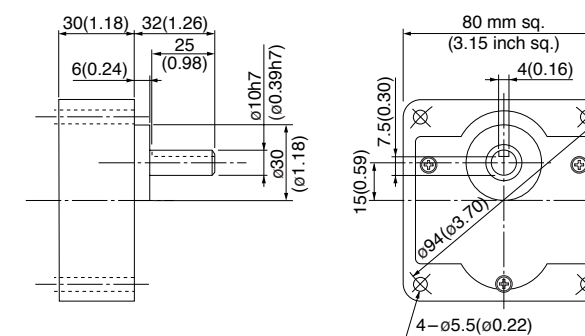
Mass	Helical gear	Module	Number of teeth
1.5 kg (3.31 lb)		0.5	9



Gear head (dimensions)

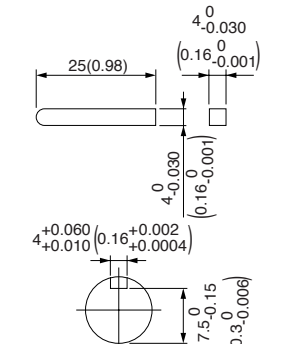
Scale: 1/3, Unit: mm (inch)

MX8G□B (ball bearing) Mass 0.6 kg (1.32 lb) MX8G□M (metal bearing) Mass 0.6 kg (1.32 lb)



Key and keyway (dimensions) [attachment]

MX8G□B(M)



* Please read your User's manual carefully so that you will understand the operation and safety precautions before attempting to operate the system.

(Note) Because the dimensions may be subject to change, also check the determinate dimensions if the gear head is to be used for design.

Induction motor
Reversible motor
3-phase motor
Electromagnetic brake motor
Variable speed induction motor
Variable speed reversible motor
Variable speed electromagnetic single-phase motor
Variable speed unit motor
C&B motor
2-pole round shaft motor
Gear head
Gear head -inch (U.S.A.)

3-phase motor (leadwire)

US CE 80 mm (3.15 inch) sq. 25 W

Specifications

Size	Motor model No.	Number of pole (P)	Output (W)	Voltage (V)	Frequency (Hz)	Rating (min)	Rating				Starting current (A)	Starting torque N·m (oz-in)
							Input (W)	Current (A)	Speed (r/min)	Torque N·m (oz-in)		
80 mm Sq.	M8MX25G4YG M8MX25G4YGA	4	25	200	50	Cont.	50	0.25	1350	0.18 (25.5)	0.62	0.54 (76.5)
					60		47	0.22	1625	0.15 (21.2)	0.58	0.40 (56.6)
				220	60	49	0.23	1650	0.14 (19.8)	0.64	0.50 (70.8)	
				230	60	50	0.24	1675	0.14 (19.8)	0.65	0.54 (76.5)	

• The specifications and wire connections of the round shaft motor are the same as those of the pinion shaft type. For the dimensional outline drawing, refer to page B-164.
 • The models with a motor model number to which "A" is suffixed are not sold or available in Japan.

Permissible torque at output shaft of gear head

* The speed shown below is a calculated value based on the synchronous rotational speed. Depending on the load, the speed is less than the indicated value by 2% to 20%.

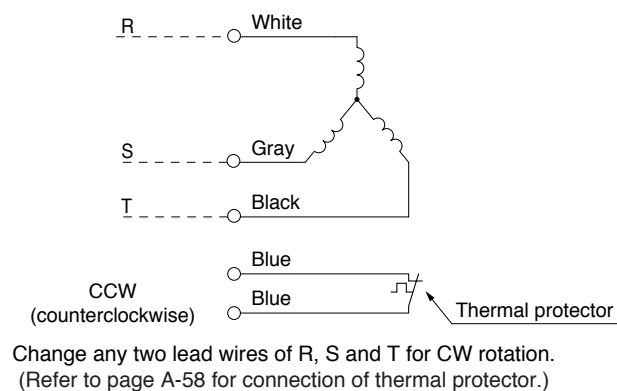
Unit of permissible torque: upper (N·m) / lower (lb-in)

Reduction ratio	Unit of permissible torque: upper (N·m) / lower (lb-in)																							
	3	3.6	5	6	7.5	9	10	12.5	15	18	20	25	30	36	50	60	75	90	100	120	150	180		
Speed (r/min)	50 Hz	500	416.7	300	250	200	166.7	150	120	100	83.3	75	60	50	41.7	30	25	20	16.7	15	12.5	10	8.3	
	60 Hz	600	500	360	300	240	200	180	144	120	100	90	72	60	50	36	30	24	20	18	15	12	10	
Applicable gear head	MX8G3B to MX8G180B (ball bearing) MX8G3M to MX8G180M (metal bearing)	50 Hz	0.39 (3.45)	0.47 (4.16)	0.66 (5.84)	0.78 (6.90)	0.98 (8.67)	1.18 (10.4)	1.27 (11.2)	1.57 (13.9)	1.96 (17.3)	2.35 (20.8)	2.55 (22.6)	3.14 (27.8)	3.82 (33.8)	4.61 (40.8)	6.37 (56.4)	7.64 (67.6)						7.84 (69.4)
		60 Hz	0.32 (2.83)	0.39 (3.45)	0.55 (4.87)	0.66 (5.84)	0.81 (7.17)	0.98 (8.67)	1.08 (9.56)	1.27 (11.2)	1.57 (13.9)	1.96 (17.3)	2.06 (18.2)	2.65 (23.5)	3.14 (27.8)	3.82 (33.8)	5.29 (46.8)	6.37 (56.4)						7.84 (69.4)
Rotational direction	Same as motor rotational direction											Reverse to motor rotational direction												

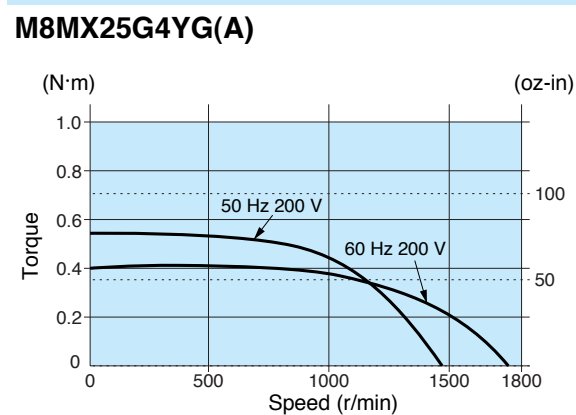
Permissible torque at output shaft of gear head using decimal gear head

Applicable gear head		Reduction ratio	Reduction ratio													
Bearing	Decimal gear head		Speed (r/min)	200	250	300	360	500	600	750	900	1000	1200	1500	1800	
		MX8G□B (ball bearing) MX8G□M (metal bearing)		MX8G10XB	50 Hz	7.5	6	5	4.2	3	2.5	2	1.7	1.5	1.3	1
60 Hz	9		7.2		6	5	3.6	3	2.4	2	1.8	1.5	1.2	1		
		Permissible torque	N·m (lb-in)	7.84 (69.4)	7.84 (69.4)	7.84 (69.4)	7.84 (69.4)	7.84 (69.4)	7.84 (69.4)	7.84 (69.4)	7.84 (69.4)	7.84 (69.4)	7.84 (69.4)	7.84 (69.4)		
		Rotational direction	Same as motor rotational direction			Reverse to motor rotational direction										

Connection diagram



Speed-torque characteristics

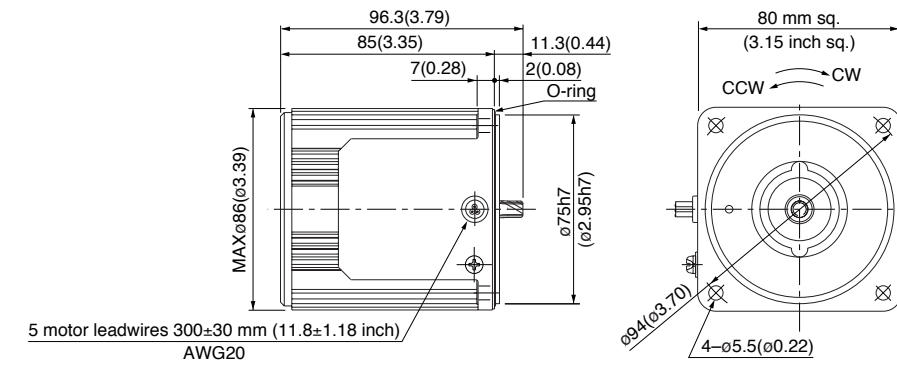


Motor (dimensions)

M8MX25G4YG(A) 4P 25 W 200 V / 220 V / 230 V

Scale: 1/3, Unit: mm (inch)

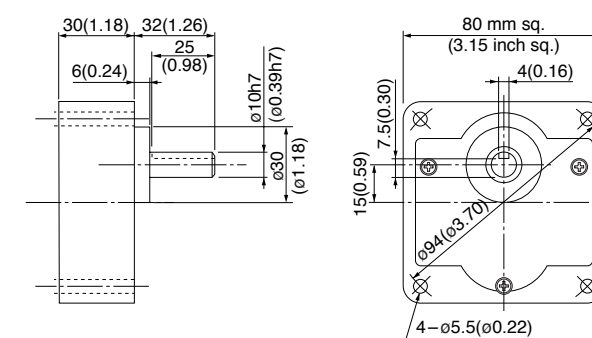
Mass 1.5 kg 3.31 lb
Helical gear
Module 0.5
Number of teeth 9



Gear head (dimensions)

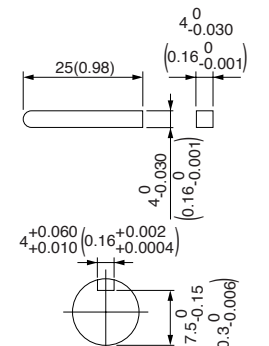
Scale: 1/3, Unit: mm (inch)

MX8G□B (ball bearing) Mass 0.6 kg (1.32 lb) MX8G□M (metal bearing) Mass 0.6 kg (1.32 lb)



Key and keyway (dimensions) [attachment]

MX8G□B(M)



* Please read your User's manual carefully so that you will understand the operation and safety precautions before attempting to operate the system.

(Note) Because the dimensions may be subject to change, also check the determinate dimensions if the gear head is to be used for design.

Induction motor
Reversible motor
3-phase motor
Electromagnetic brake motor
Variable speed induction motor
Variable speed reversible motor
Variable speed electromagnetic single-phase motor
Variable speed unit motor
C&B motor
2-pole round shaft motor
Gear head
Gear head -inch (U.S.A.)

Specifications

Size	Motor model No.	Number of pole (P)	Output (W)	Voltage (V)	Frequency (Hz)	Rating (min)	Rating				Starting current (A)	Starting torque N-m (oz-in)
							Input (W)	Current (A)	Speed (r/min)	Torque N-m (oz-in)		
90 mm sq.	M9MX40G4Y	4	40	200	50	Cont.	69	0.31	1350	0.28 (39.7)	0.90	0.72 (102)
					60		68	0.29	1625	0.24 (34.0)	0.82	0.51 (72.2)
				220	50	Cont.	70	0.32	1375	0.27 (38.2)	1.0	0.88 (125)
					60		66	0.28	1675	0.23 (32.6)	0.91	0.63 (89.2)

* The specifications and wire connections of the round shaft motor are the same as those of the pinion shaft type. For the dimensional outline drawing, refer to page B-164.

Permissible torque at output shaft of gear head

* The speed shown below is a calculated value based on the synchronous rotational speed. Depending on the load, the speed is less than the indicated value by 2 % to 20 %.

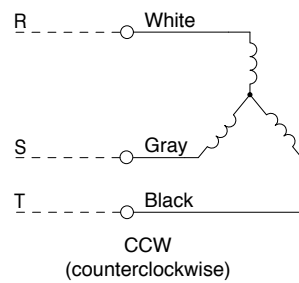
Unit of permissible torque: upper (N·m) / lower (lb-in)

Reduction ratio	Speed (r/min)																								
	50 Hz	60 Hz	3	3.6	5	6	7.5	9	10	12.5	15	18	20	25	30	36	50	60	75	90	100	120	150	180	
MX9G3B to MX9G180B (ball bearing)	0.66 (5.84)	0.78 (6.90)	1.08 (9.56)	1.27 (11.2)	1.57 (13.9)	1.86 (16.5)	2.25 (19.9)	2.74 (24.3)	3.23 (28.6)	3.92 (34.7)	4.41 (39.0)	5.29 (46.8)	6.37 (56.4)	7.94 (70.3)	9.80 (86.7)										
MX9G3M to MX9G180M (metal bearing)	0.55 (4.87)	0.66 (5.84)	0.90 (7.97)	1.08 (9.56)	1.27 (11.2)	1.57 (13.9)	1.76 (15.6)	2.25 (19.9)	2.74 (24.3)	3.23 (28.6)	3.53 (31.2)	4.41 (39.0)	5.29 (46.8)	6.37 (56.4)	8.82 (78.1)										
Rotational direction	Same as motor rotational direction												Reverse to motor rotational direction												

Permissible torque at output shaft of gear head using decimal gear head

Applicable gear head		Reduction ratio	Speed (r/min)													
Bearing	Decimal gear head		50 Hz	60 Hz	7.5	6	5	4.2	3	2.5	2	1.7	1.5	1.3	1	0.8
MX9G□B (ball bearing)	MX9G10XB	Permissible torque	N-m (lb-in)	9.80 (86.7)	9.80 (86.7)	9.80 (86.7)	9.80 (86.7)	9.80 (86.7)	9.80 (86.7)	9.80 (86.7)	9.80 (86.7)	9.80 (86.7)	9.80 (86.7)	9.80 (86.7)	9.80 (86.7)	9.80 (86.7)
MX9G□M (metal bearing)				Rotational direction	Same as motor rotational direction			Reverse to motor rotational direction								

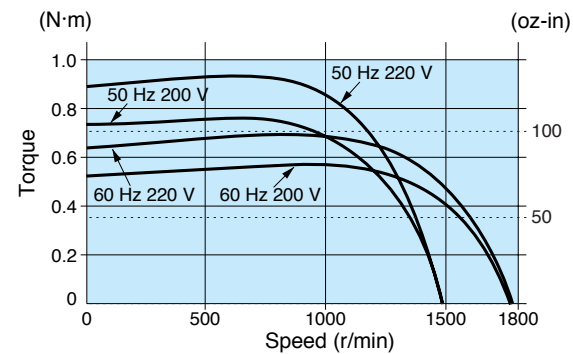
Connection diagram



Change any two lead wires of R, S and T for CW rotation.

Speed-torque characteristics

M9MX40G4Y



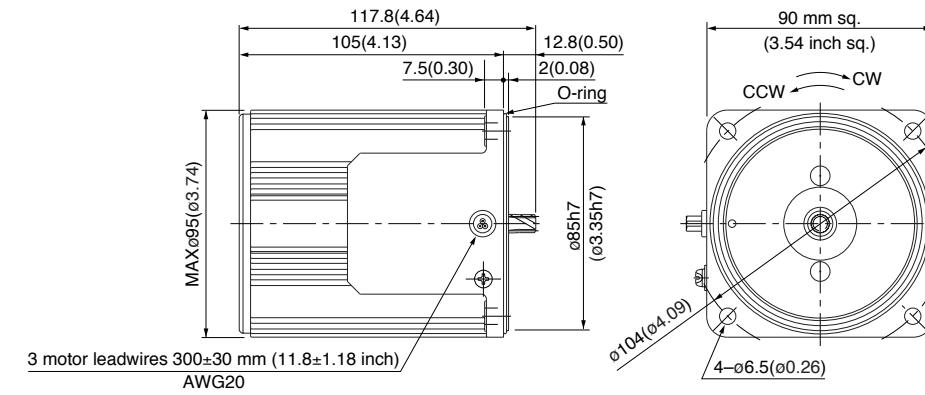
* Please read your User's manual carefully so that you will understand the operation and safety precautions before attempting to operate the system.

Motor (dimensions)

Scale: 1/3, Unit: mm (inch)

M9MX40G4Y 4P 40 W 200 V / 220 V

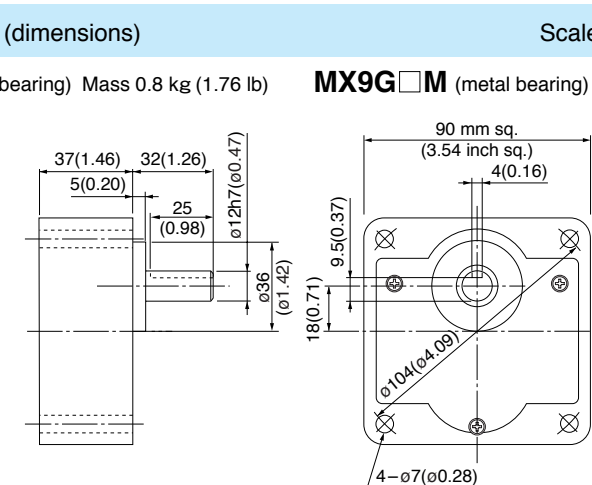
Mass	Helical gear	Module	Number of teeth
2.4 kg (5.29 lb)		0.55	9



Gear head (dimensions)

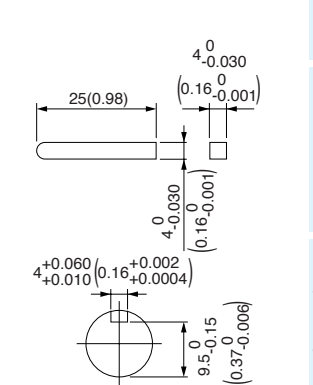
Scale: 1/3, Unit: mm (inch)

MX9G□B (ball bearing) Mass 0.8 kg (1.76 lb) MX9G□M (metal bearing) Mass 0.8 kg (1.76 lb)



Key and keyway (dimensions) [attachment]

MX9G□B(M)



(Note) Because the dimensions may be subject to change, also check the determinate dimensions if the gear head is to be used for design.

3-phase motor (leadwire)

US CE CCC **90 mm (3.54 inch) sq. 40 W**

Specifications

Size	Motor model No.	Number of pole (P)	Output (W)	Voltage (V)	Frequency (Hz)	Rating (min)	Rating				Starting current (A)	Starting torque N·m (oz-in)
							Input (W)	Current (A)	Speed (r/min)	Torque N·m (oz-in)		
90 mm sq.	M9MX40G4YG M9MX40G4YGA	4	40	200	50	Cont.	69	0.31	1350	0.28 (39.7)	0.90	0.72 (102)
					60		68	0.29	1625	0.24 (34.0)	0.82	0.51 (72.2)
				220	60	66	0.28	1675	0.23 (32.6)	0.91	0.63 (89.2)	
					60	66	0.29	1675	0.23 (32.6)	0.96	0.69 (97.7)	

• The specifications and wire connections of the round shaft motor are the same as those of the pinion shaft type. For the dimensional outline drawing, refer to page B-164.
• The models with a motor model number to which "A" is suffixed are not sold or available in Japan.

Permissible torque at output shaft of gear head

* The speed shown below is a calculated value based on the synchronous rotational speed. Depending on the load, the speed is less than the indicated value by 2 % to 20 %.

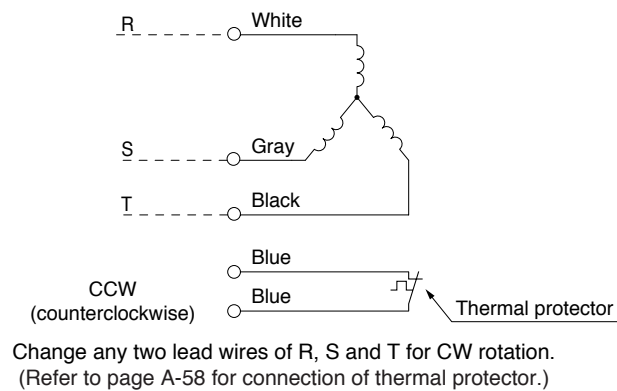
Unit of permissible torque: upper (N·m) / lower (lb-in)

Reduction ratio	Unit of permissible torque: upper (N·m) / lower (lb-in)																							
	3	3.6	5	6	7.5	9	10	12.5	15	18	20	25	30	36	50	60	75	90	100	120	150	180		
Speed (r/min)	50 Hz		60 Hz		50 Hz		60 Hz		50 Hz		60 Hz		50 Hz		60 Hz		50 Hz		60 Hz		50 Hz		60 Hz	
Applicable gear head	MX9G3B to MX9G180B (ball bearing)											MX9G3M to MX9G180M (metal bearing)												
	Permissible torque											Permissible torque												
Rotational direction	Same as motor rotational direction											Reverse to motor rotational direction												

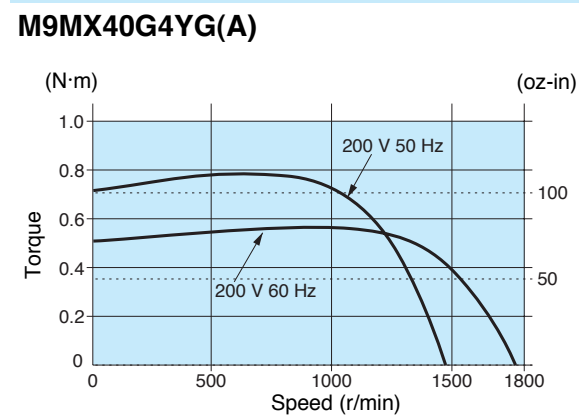
Permissible torque at output shaft of gear head using decimal gear head

Applicable gear head		Reduction ratio	Reduction ratio													
Bearing	Decimal gear head		Speed (r/min)	50 Hz	7.5	6	5	4.2	3	2.5	2	1.7	1.5	1.3	1	0.8
MX9G□B (ball bearing) MX9G□M (metal bearing)	MX9G10XB	Permissible torque	N·m (lb-in)	9.80 (86.7)	9.80 (86.7)	9.80 (86.7)	9.80 (86.7)	9.80 (86.7)	9.80 (86.7)	9.80 (86.7)	9.80 (86.7)	9.80 (86.7)	9.80 (86.7)	9.80 (86.7)	9.80 (86.7)	9.80 (86.7)
		Rotational direction	Same as motor rotational direction	Reverse to motor rotational direction												

Connection diagram



Speed-torque characteristics

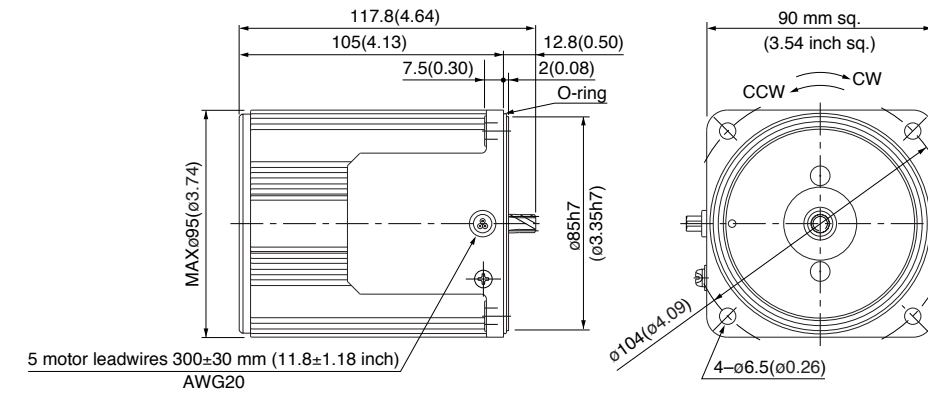


Motor (dimensions)

M9MX40G4YG(A) 4P 40 W 200 V / 220 V / 230 V

Scale: 1/3, Unit: mm (inch)

Mass **2.4 kg** / 5.29 lb
Helical gear
Module **0.55**
Number of teeth **9**



* Please read your User's manual carefully so that you will understand the operation and safety precautions before attempting to operate the system.

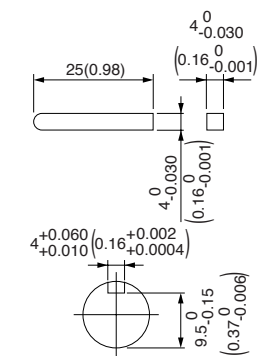
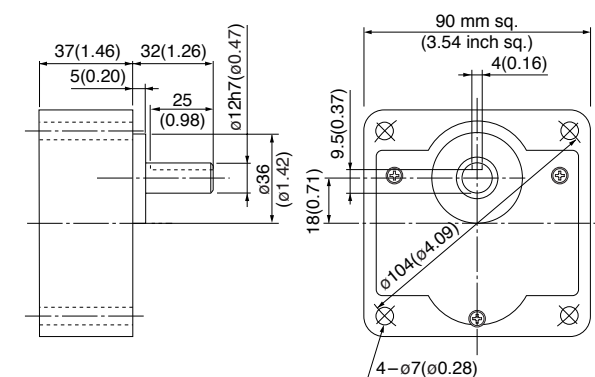
Gear head (dimensions)

Scale: 1/3, Unit: mm (inch)

MX9G□B (ball bearing) Mass 0.8 kg (1.76 lb) **MX9G□M** (metal bearing) Mass 0.8 kg (1.76 lb)

Key and keyway (dimensions) [attachment]

MX9G□B(M)



(Note) Because the dimensions may be subject to change, also check the determinate dimensions if the gear head is to be used for design.

Specifications

Size	Motor model No.	Number of pole (P)	Output (W)	Voltage (V)	Frequency (Hz)	Rating (min)	Rating				Starting current (A)	Starting torque N-m (oz-in)
							Input (W)	Current (A)	Speed (r/min)	Torque N-m (oz-in)		
90 mm sq.	M9MZ90G4Y	4	90	200	50	Cont.	141	0.62	1350	0.63 (89.2)	2.0	1.6 (227)
							137	0.56	1625	0.53 (75.1)	1.8	1.1 (156)
				220	50	Cont.	143	0.65	1400	0.62 (87.8)	2.2	2.0 (283)
							137	0.56	1650	0.52 (73.6)	2.0	1.4 (198)

* The specifications and wire connections of the round shaft motor are the same as those of the pinion shaft type. For the dimensional outline drawing, refer to page B-164.

Permissible torque at output shaft of gear head

* The speed shown below is a calculated value based on the synchronous rotational speed. Depending on the load, the speed is less than the indicated value by 2 % to 20 %.

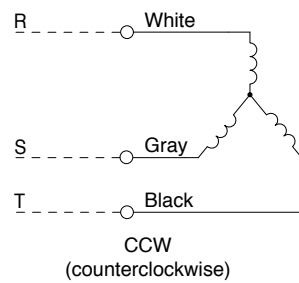
Unit of permissible torque: upper (N·m) / lower (lb·in)

Reduction ratio	Unit of permissible torque: upper (N·m) / lower (lb·in)																							
	3	3.6	5	6	7.5	9	10	12.5	15	18	20	25	30	36	50	60	75	90	100	120	150	180	200	
Speed (r/min)	50 Hz	500	416.7	300	250	200	166.7	150	120	100	83.3	75	60	50	41.7	30	25	20	16.7	15	12.5	10	8.3	7.5
	60 Hz	600	500	360	300	240	200	180	144	120	100	90	72	60	50	36	30	24	20	18	15	12	10	9
Applicable gear head	MZ9G3B to MZ9G200B (ball bearing / hinge not attached)	1.37	1.67	2.25	2.74	3.43	4.12	4.51	5.68	6.76	8.04	9.02	10.9	13.0	15.7	19.6								19.6 (173)
	MY9G3B to MY9G200B (ball bearing / hinge attached)	1.18	1.37	1.86	2.25	2.84	3.43	3.72	4.70	5.68	6.76	7.55	9.21	10.9	13.0	18.3								19.6 (173)
Rotational direction	Same as motor rotational direction						Reverse to motor rotational direction						Same as motor rotational direction											

Permissible torque at output shaft of gear head using decimal gear head

Applicable gear head		Reduction ratio	Reduction ratio													
Bearing	Decimal gear head		Speed (r/min)	50 Hz	60 Hz	6	5	4.2	3	2.5	2	1.7	1.5	1.3	1	0.8
MZ9G□B (ball bearing / hinge not attached) MY9G□B (ball bearing / hinge attached)	MZ9G10XB	Permissible torque	N-m (lb-in)	19.6 (173)	19.6 (173)	19.6 (173)	19.6 (173)	19.6 (173)	19.6 (173)	19.6 (173)	19.6 (173)	19.6 (173)	19.6 (173)	19.6 (173)	19.6 (173)	19.6 (173)
			Rotational direction	Reverse to motor rotational direction	Same as motor rotational direction											

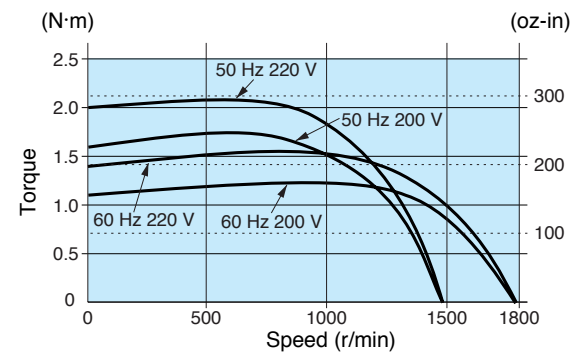
Connection diagram



Change any two lead wires of R, S and T for CW rotation.

Speed-torque characteristics

M9MZ90G4Y

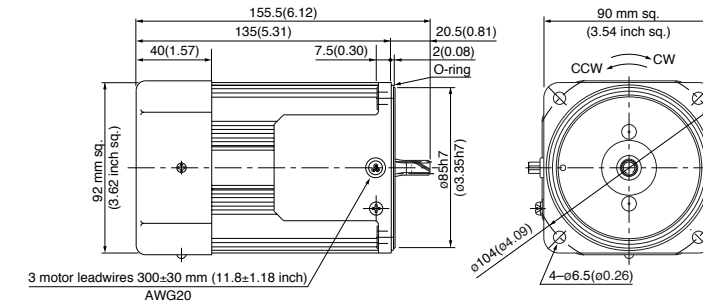


Motor (dimensions)

Scale: 1/4, Unit: mm (inch)

M9MZ90G4Y 4P 90 W 200 V / 220 V (with fan)

Mass	Helical gear	Module	Number of teeth
3.2 kg (7.05 lb)		0.6	9

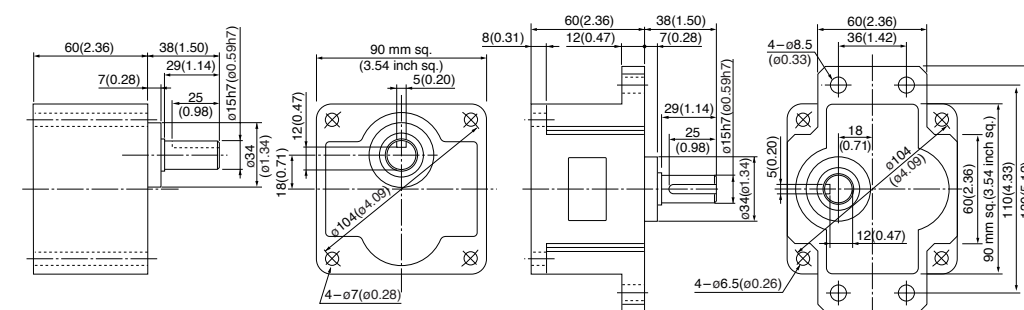


Gear head (dimensions)

Scale: 1/4, Unit: mm (inch)

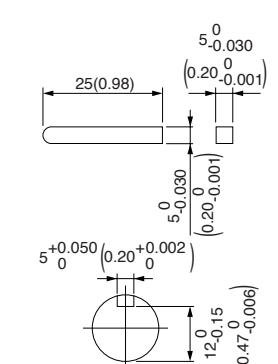
MZ9G□B (ball bearing / hinge not attached)
Mass 1.4 kg (3.09 lb)

MY9G□B (ball bearing / hinge attached)
Mass 1.4 kg (3.09 lb)



Key and keyway (dimensions) [attachment]

MZ9G□B
MY9G□B



Note) MZ / MY is available for a gear head of either type.

(Note) Because the dimensions may be subject to change, also check the determinate dimensions if the gear head is to be used for design.

* Please read your User's manual carefully so that you will understand the operation and safety precautions before attempting to operate the system.

Induction motor
Reversible motor
3-phase motor
Electromagnetic brake motor
Variable speed induction motor
Variable speed reversible motor
Variable speed electromagnetic single-phase motor
Variable speed unit motor
C&B motor
2-pole round shaft motor
Gear head
Gear head -inch (U.S.A.)

3-phase motor (leadwire)

Specifications

Size	Motor model No.	Number of pole (P)	Output (W)	Voltage (V)	Frequency (Hz)	Rating (min)	Rating				Starting current (A)	Starting torque N-m (oz-in)
							Input (W)	Current (A)	Speed (r/min)	Torque N-m (oz-in)		
90 mm sq.	M9MZ90G4YG M9MZ90G4YGA	4	90	200	50	Cont.	142	0.62	1350	0.63 (89.2)	2.0	1.6 (227)
					60		138	0.56	1625	0.53 (75.1)	1.8	1.1 (156)
				220	60	137	0.56	1650	0.52 (73.6)	2.0	1.4 (198)	
				230	60	137	0.58	1675	0.51 (72.2)	2.1	1.6 (227)	

* The specifications and wire connections of the round shaft motor are the same as those of the pinion shaft type. For the dimensional outline drawing, refer to page B-164.
* The models with a motor model number to which "A" is suffixed are not sold or available in Japan.

Permissible torque at output shaft of gear head

* The speed shown below is a calculated value based on the synchronous rotational speed. Depending on the load, the speed is less than the indicated value by 2% to 20%.

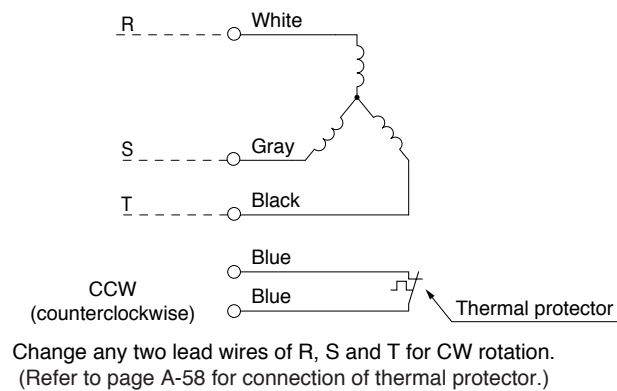
Unit of permissible torque: upper (N·m) / lower (lb·in)

Reduction ratio	Unit of permissible torque: upper (N·m) / lower (lb·in)																										
	3	3.6	5	6	7.5	9	10	12.5	15	18	20	25	30	36	50	60	75	90	100	120	150	180	200				
Speed (r/min)	50 Hz	500	416.7	300	250	200	166.7	150	120	100	83.3	75	60	50	41.7	30	25	20	16.7	15	12.5	10	8.3	7.5			
	60 Hz	600	500	360	300	240	200	180	144	120	100	90	72	60	50	36	30	24	20	18	15	12	10	9			
Applicable gear head	MZ9G3B to MZ9G200B (ball bearing / hinge not attached)	50 Hz	1.37 (12.1)	1.67 (14.8)	2.25 (19.9)	2.74 (24.3)	3.43 (30.4)	4.12 (36.5)	4.51 (39.9)	5.68 (50.3)	6.76 (59.8)	8.04 (71.2)	9.02 (79.8)	10.9 (96.5)	13.0 (115)	15.7 (139)	19.6 (173)										
		60 Hz	1.18 (10.4)	1.37 (12.1)	1.86 (16.5)	2.25 (19.9)	2.84 (25.1)	3.43 (30.4)	3.72 (32.9)	4.70 (41.6)	5.68 (50.3)	6.76 (59.8)	7.55 (66.8)	9.21 (81.5)	10.9 (96.5)	13.0 (115)	18.3 (162)										
Rotational direction	Same as motor rotational direction						Reverse to motor rotational direction						Same as motor rotational direction														

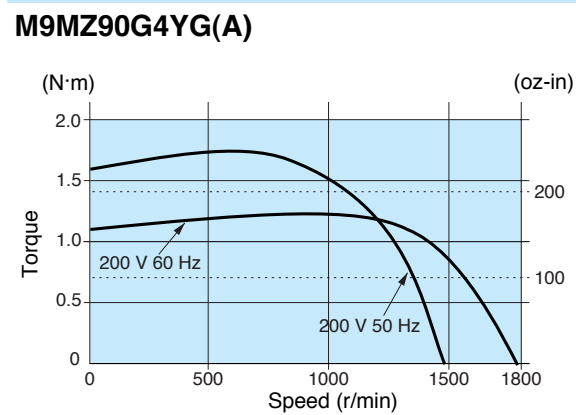
Permissible torque at output shaft of gear head using decimal gear head

Applicable gear head		Reduction ratio	Reduction ratio													
Bearing	Decimal gear head		Speed (r/min)	50 Hz	6	5	4.2	3	2.5	2	1.7	1.5	1.3	1	0.8	
MZ9G□B (ball bearing / hinge not attached)	MZ9G10XB	Permissible torque	N-m	19.6	19.6	19.6	19.6	19.6	19.6	19.6	19.6	19.6	19.6	19.6	19.6	
			(lb-in)	(173)	(173)	(173)	(173)	(173)	(173)	(173)	(173)	(173)	(173)	(173)	(173)	(173)
MY9G□B (ball bearing / hinge attached)		Rotational direction	Reverse to motor rotational direction		Same as motor rotational direction											

Connection diagram



Speed-torque characteristics

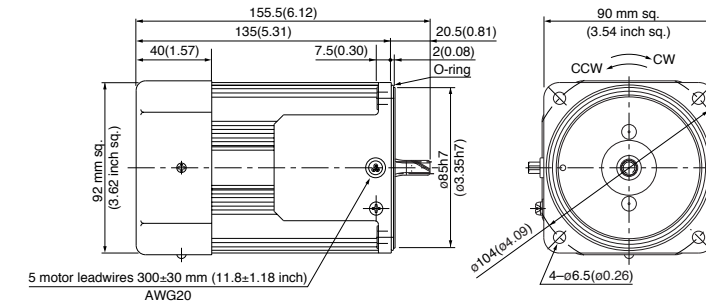


Motor (dimensions)

Scale: 1/4, Unit: mm (inch)

M9MZ90G4YG(A) 4P 90 W 200 V / 220 V / 230 V (with fan)

Mass	Helical gear	Module	Number of teeth
3.2 kg (7.05 lb)		0.6	9

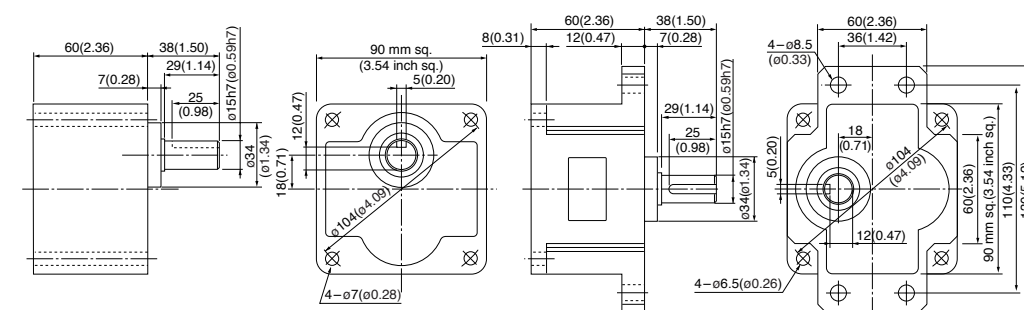


Gear head (dimensions)

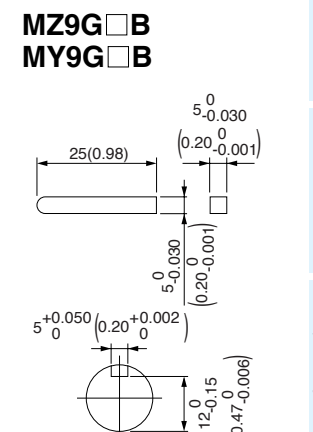
Scale: 1/4, Unit: mm (inch)

MZ9G□B (ball bearing / hinge not attached)
Mass 1.4 kg (3.09 lb)

MY9G□B (ball bearing / hinge attached)
Mass 1.4 kg (3.09 lb)



Key and keyway (dimensions) [attachment]



Note) MZ / MY is available for a gear head of either type.

(Note) Because the dimensions may be subject to change, also check the determinate dimensions if the gear head is to be used for design.

* Please read your User's manual carefully so that you will understand the operation and safety precautions before attempting to operate the system.

Induction motor
Reversible motor
3-phase motor
Electromagnetic brake motor
Variable speed induction motor
Variable speed reversible motor
Variable speed electromagnetic single-phase motor
Variable speed unit motor
C&B motor
2-pole round shaft motor
Gear head
Gear head -inch (U.S.A.)

3-phase motor (sealed connector)

80 mm (3.15 inch) sq. 25 W

Specifications

Size	Motor model No.	Number of pole (P)	Output (W)	Voltage (V)	Frequency (Hz)	Rating (min)	Rating				Starting current (A)	Starting torque N-m (oz-in)
							Input (W)	Current (A)	Speed (r/min)	Torque N-m (oz-in)		
80 mm sq.	M8MX25GK4Y	4	25	200	50	Cont.	50	0.25	1350	0.18 (25.5)	0.62	0.54 (76.5)
							47	0.22	1625	0.15 (21.2)	0.58	0.40 (56.6)
				220	50	Cont.	54	0.27	1375	0.18 (25.5)	0.67	0.66 (93.5)
							49	0.23	1650	0.15 (21.2)	0.64	0.50 (70.8)

* The specifications and wire connections of the round shaft motor are the same as those of the pinion shaft type. For the dimensional outline drawing, refer to page B-165.

Permissible torque at output shaft of gear head

* The speed shown below is a calculated value based on the synchronous rotational speed. Depending on the load, the speed is less than the indicated value by 2% to 20%.

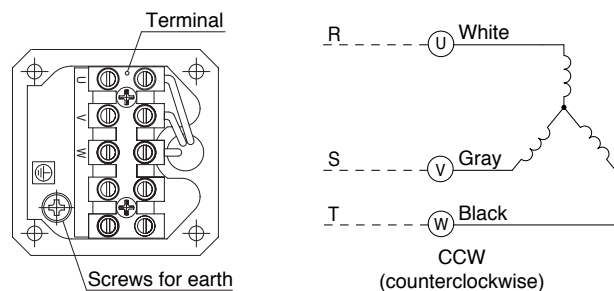
Unit of permissible torque: upper (N-m) / lower (lb-in)

Reduction ratio	Unit of permissible torque: upper (N-m) / lower (lb-in)																							
	3	3.6	5	6	7.5	9	10	12.5	15	18	20	25	30	36	50	60	75	90	100	120	150	180		
Speed (r/min)	50 Hz	500	416.7	300	250	200	166.7	150	120	100	83.3	75	60	50	41.7	30	25	20	16.7	15	12.5	10	8.3	
	60 Hz	600	500	360	300	240	200	180	144	120	100	90	72	60	50	36	30	24	20	18	15	12	10	
Applicable gear head	MX8G3B to MX8G180B (ball bearing)	50 Hz	0.39 (3.45)	0.47 (4.16)	0.66 (5.84)	0.78 (6.90)	0.98 (8.67)	1.18 (10.4)	1.27 (11.2)	1.57 (13.9)	1.96 (17.3)	2.35 (20.8)	2.55 (22.6)	3.14 (27.8)	3.82 (33.8)	4.61 (40.8)	6.37 (56.4)	7.64 (67.6)						7.84 (69.4)
		60 Hz	0.32 (2.83)	0.39 (3.45)	0.55 (4.87)	0.66 (5.84)	0.81 (7.17)	0.98 (8.67)	1.08 (9.56)	1.27 (11.2)	1.57 (13.9)	1.96 (17.3)	2.06 (18.2)	2.65 (23.5)	3.14 (27.8)	3.82 (33.8)	5.29 (46.8)	6.37 (56.4)						7.84 (69.4)
Rotational direction		Same as motor rotational direction											Reverse to motor rotational direction											

Permissible torque at output shaft of gear head using decimal gear head

Applicable gear head		Reduction ratio	Reduction ratio														
Bearing	Decimal gear head		Speed (r/min)	200	250	300	360	500	600	750	900	1000	1200	1500	1800		
		MX8G□B (ball bearing)		MX8G10XB	50 Hz	7.5	6	5	4.2	3	2.5	2	1.7	1.5	1.3	1	0.8
60 Hz	9		7.2		6	5	3.6	3	2.4	2	1.8	1.5	1.2	1			
MX8G□M (metal bearing)	MX8G10XB	Permissible torque	N-m (lb-in)	7.84 (69.4)	7.84 (69.4)	7.84 (69.4)	7.84 (69.4)	7.84 (69.4)	7.84 (69.4)	7.84 (69.4)	7.84 (69.4)	7.84 (69.4)	7.84 (69.4)	7.84 (69.4)			
		Rotational direction	Same as motor rotational direction	Reverse to motor rotational direction													

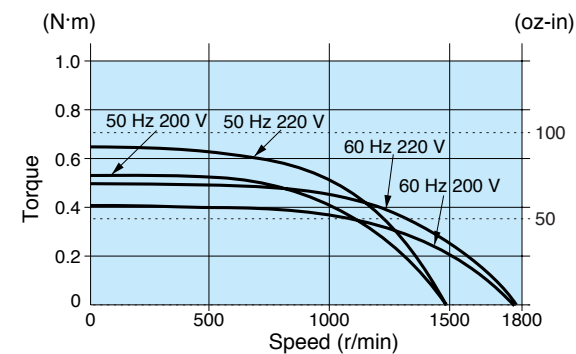
Connection diagram



Change any two lead wires of U, V and W for CW rotation.

Speed-torque characteristics

M8MX25GK4Y

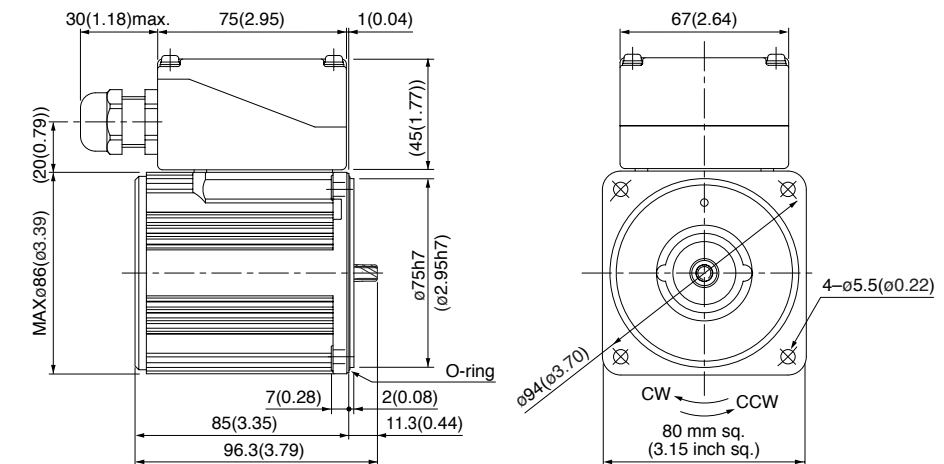


Motor (dimensions)

Scale: 1/3, Unit: mm (inch)

M8MX25GK4Y 4P 25 W 200 V / 220 V

Mass 1.8 kg (3.97 lb)
Helical gear
Module 0.5
Number of teeth 9

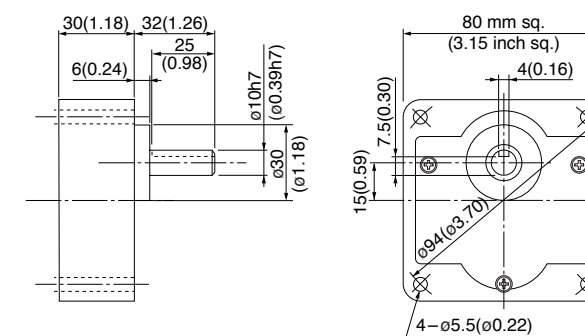


* Diameter of applicable cable to be ø8(ø0.31) to ø12(ø0.47).

Gear head (dimensions)

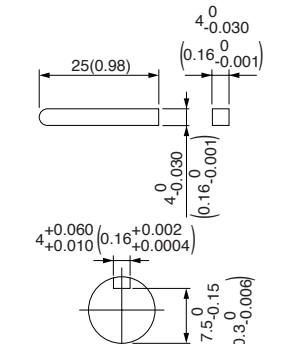
Scale: 1/3, Unit: mm (inch)

MX8G□B (ball bearing) Mass 0.6 kg (1.32 lb) MX8G□M (metal bearing) Mass 0.6 kg (1.32 lb)



Key and keyway (dimensions) [attachment]

MX8G□B(M)



* Please read your User's manual carefully so that you will understand the operation and safety precautions before attempting to operate the system.

(Note) Because the dimensions may be subject to change, also check the determinate dimensions if the gear head is to be used for design.

Induction motor
Reversible motor
3-phase motor
Electromagnetic brake motor
Variable speed induction motor
Variable speed reversible motor
Variable speed electromagnetic single-phase motor
Variable speed unit motor
C&B motor
2-pole round shaft motor
Gear head
Gear head -inch (U.S.A.)

3-phase motor (sealed connector)

US CE 80 mm (3.15 inch) sq. 25 W

Specifications

Size	Motor model No.	Number of pole (P)	Output (W)	Voltage (V)	Frequency (Hz)	Rating (min)	Rating				Starting current (A)	Starting torque N·m (oz-in)
							Input (W)	Current (A)	Speed (r/min)	Torque N·m (oz-in)		
80 mm sq.	M8MX25GK4YG M8MX25GK4YGA	4	25	200	50	Cont.	50	0.25	1350	0.18 (25.5)	0.62	0.54 (76.5)
							47	0.22	1625	0.15 (21.2)	0.58	0.40 (56.6)
				220	60		49	0.23	1650	0.14 (19.8)	0.64	0.50 (70.8)
				230	60		50	0.24	1675	0.14 (19.8)	0.65	0.54 (76.5)
	M8MX25GK4CG* M8MX25GK4CGA	4	25	380	50	Cont.	49	0.12	1325	0.18 (25.5)	0.29	0.50 (70.8)
							52	0.12	1325	0.18 (25.5)	0.32	0.56 (79.3)

* Do not use an inverter to drive 380 V/400 V motor.
 * The specifications and wire connections of the round shaft motor are the same as those of the pinion shaft type. For the dimensional outline drawing, refer to page B-165.
 * The models with a motor model number to which "A" is suffixed are not sold or available in Japan.

Permissible torque at output shaft of gear head

* The speed shown below is a calculated value based on the synchronous rotational speed. Depending on the load, the speed is less than the indicated value by 2% to 20%.

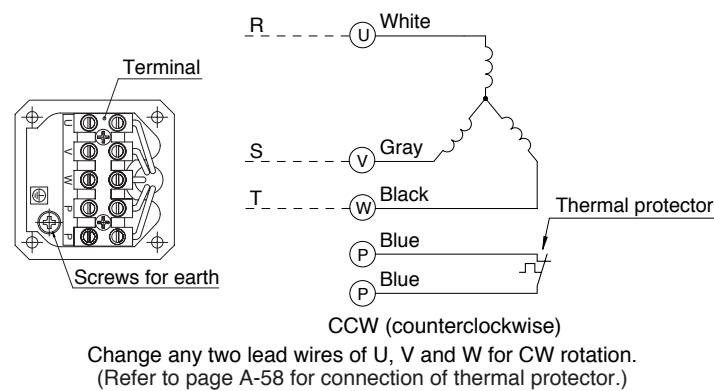
Unit of permissible torque: upper (N·m) / lower (lb-in)

Reduction ratio	Speed (r/min)																							
	3	3.6	5	6	7.5	9	10	12.5	15	18	20	25	30	36	50	60	75	90	100	120	150	180		
Speed (r/min)	50 Hz	500	416.7	300	250	200	166.7	150	120	100	83.3	75	60	50	41.7	30	25	20	16.7	15	12.5	10	8.3	
	60 Hz	600	500	360	300	240	200	180	144	120	100	90	72	60	50	36	30	24	20	18	15	12	10	
Applicable gear head	MX8G3B to MX8G180B (ball bearing)	0.39 (3.45)	0.47 (4.16)	0.66 (5.84)	0.78 (6.90)	0.98 (8.67)	1.18 (10.4)	1.27 (11.2)	1.57 (13.9)	1.96 (17.3)	2.35 (20.8)	2.55 (22.6)	3.14 (27.8)	3.82 (33.8)	4.61 (40.8)	6.37 (56.4)	7.64 (67.6)							7.84 (69.4)
	MX8G3M to MX8G180M (metal bearing)	0.32 (2.83)	0.39 (3.45)	0.55 (4.87)	0.66 (5.84)	0.81 (7.17)	0.98 (8.67)	1.08 (9.56)	1.27 (11.2)	1.57 (13.9)	1.96 (17.3)	2.06 (18.2)	2.65 (23.5)	3.14 (27.8)	3.82 (33.8)	5.29 (46.8)	6.37 (56.4)							7.84 (69.4)
Rotational direction	Same as motor rotational direction												Reverse to motor rotational direction											

Permissible torque at output shaft of gear head using decimal gear head

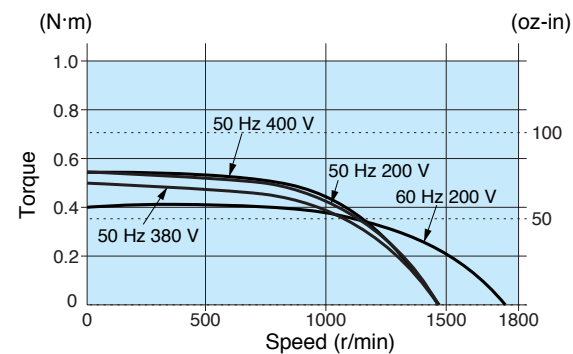
Applicable gear head		Reduction ratio	Speed (r/min)															
Bearing	Decimal gear head		50 Hz	7.5	6	5	4.2	3	2.5	2	1.7	1.5	1.3	1	0.8			
MX8G□B (ball bearing) MX8G□M (metal bearing)	MX8G10XB	Permissible torque	N·m (lb-in)	7.84 (69.4)	7.84 (69.4)	7.84 (69.4)	7.84 (69.4)	7.84 (69.4)	7.84 (69.4)	7.84 (69.4)	7.84 (69.4)	7.84 (69.4)	7.84 (69.4)	7.84 (69.4)	7.84 (69.4)	7.84 (69.4)		
		Rotational direction	Same as motor rotational direction	Reverse to motor rotational direction														

Connection diagram



Speed-torque characteristics

M8MX25GK4YG(A) / M8MX25GK4CG(A)

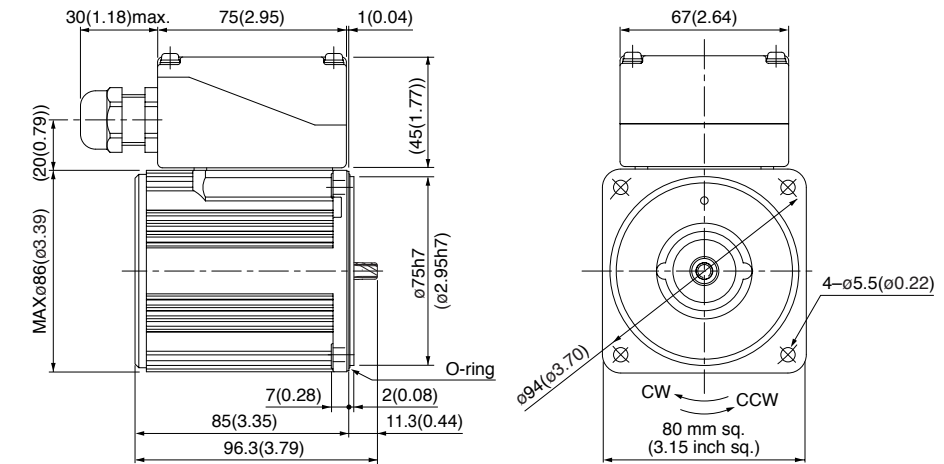


Motor (dimensions)

Scale: 1/3, Unit: mm (inch)

M8MX25GK4YG(A) 4P 25 W 200 V / 220 V / 230 V
 M8MX25GK4CG(A) 4P 25 W 380 V / 400 V

Mass 1.8 kg 3.97 lb
 Helical gear
 Module 0.5
 Number of teeth 9

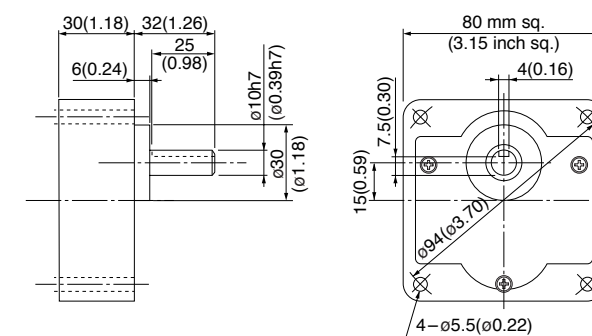


* Diameter of applicable cable to be ø8(ø0.31) to ø12(ø0.47).

Gear head (dimensions)

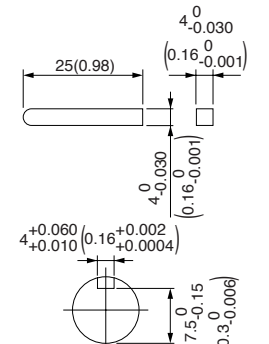
Scale: 1/3, Unit: mm (inch)

MX8G□B (ball bearing) Mass 0.6 kg (1.32 lb) MX8G□M (metal bearing) Mass 0.6 kg (1.32 lb)



Key and keyway (dimensions) [attachment]

MX8G□B(M)



* Please read your User's manual carefully so that you will understand the operation and safety precautions before attempting to operate the system.

(Note) Because the dimensions may be subject to change, also check the determinate dimensions if the gear head is to be used for design.

3-phase motor (sealed connector)

90 mm (3.54 inch) sq. 40 W

Specifications

Size	Motor model No.	Number of pole (P)	Output (W)	Voltage (V)	Frequency (Hz)	Rating (min)	Rating				Starting current (A)	Starting torque N-m (oz-in)
							Input (W)	Current (A)	Speed (r/min)	Torque N-m (oz-in)		
90 mm sq.	M9MX40GK4Y	4	40	200	50	Cont.	69	0.31	1350	0.28 (39.7)	0.90	0.72 (102)
					60		68	0.29	1625	0.24 (34.0)	0.82	0.51 (72.2)
				220	50	Cont.	70	0.32	1375	0.27 (38.2)	1.0	0.88 (125)
					60		66	0.28	1675	0.23 (32.6)	0.91	0.63 (89.2)

* The specifications and wire connections of the round shaft motor are the same as those of the pinion shaft type. For the dimensional outline drawing, refer to page B-165.

Permissible torque at output shaft of gear head

* The speed shown below is a calculated value based on the synchronous rotational speed. Depending on the load, the speed is less than the indicated value by 2% to 20%.

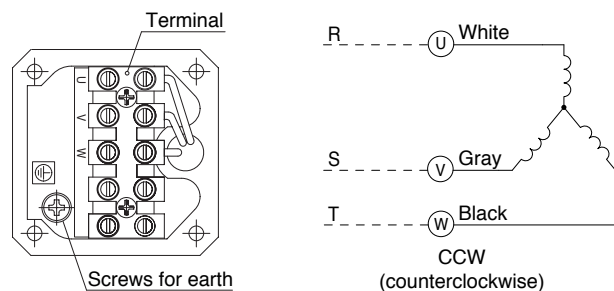
Unit of permissible torque: upper (N·m) / lower (lb-in)

Reduction ratio	Unit of permissible torque: upper (N·m) / lower (lb-in)																						
	3	3.6	5	6	7.5	9	10	12.5	15	18	20	25	30	36	50	60	75	90	100	120	150	180	
Speed (r/min)	50 Hz	500	416.7	300	250	200	166.7	150	120	100	83.3	75	60	50	41.7	30	25	20	16.7	15	12.5	10	8.3
	60 Hz	600	500	360	300	240	200	180	144	120	100	90	72	60	50	36	30	24	20	18	15	12	10
Applicable gear head	MX9G3B to MX9G180B (ball bearing)	50 Hz	0.66 (5.84)	0.78 (6.90)	1.08 (9.56)	1.27 (11.2)	1.57 (13.9)	1.86 (16.5)	2.25 (19.9)	2.74 (24.3)	3.23 (28.6)	3.92 (34.7)	4.41 (39.0)	5.29 (46.8)	6.37 (56.4)	7.94 (70.3)	9.80 (86.7)						
		60 Hz	0.55 (4.87)	0.66 (5.84)	0.90 (7.97)	1.08 (9.56)	1.27 (11.2)	1.57 (13.9)	1.76 (15.6)	2.25 (19.9)	2.74 (24.3)	3.23 (28.6)	3.53 (31.2)	4.41 (39.0)	5.29 (46.8)	6.37 (56.4)	8.82 (78.1)	9.80 (86.7)					
Rotational direction	MX9G3M to MX9G180M (metal bearing)	50 Hz	0.66 (5.84)	0.78 (6.90)	1.08 (9.56)	1.27 (11.2)	1.57 (13.9)	1.86 (16.5)	2.25 (19.9)	2.74 (24.3)	3.23 (28.6)	3.92 (34.7)	4.41 (39.0)	5.29 (46.8)	6.37 (56.4)	7.94 (70.3)	9.80 (86.7)						
		60 Hz	0.55 (4.87)	0.66 (5.84)	0.90 (7.97)	1.08 (9.56)	1.27 (11.2)	1.57 (13.9)	1.76 (15.6)	2.25 (19.9)	2.74 (24.3)	3.23 (28.6)	3.53 (31.2)	4.41 (39.0)	5.29 (46.8)	6.37 (56.4)	8.82 (78.1)	9.80 (86.7)					
Rotational direction		Same as motor rotational direction											Reverse to motor rotational direction										

Permissible torque at output shaft of gear head using decimal gear head

Applicable gear head		Reduction ratio	Reduction ratio													
Bearing	Decimal gear head		Speed (r/min)	200	250	300	360	500	600	750	900	1000	1200	1500	1800	
		MX9G□B (ball bearing)		MX9G10XB	50 Hz	9.80 (86.7)	9.80 (86.7)	9.80 (86.7)	9.80 (86.7)	9.80 (86.7)	9.80 (86.7)	9.80 (86.7)	9.80 (86.7)	9.80 (86.7)	9.80 (86.7)	9.80 (86.7)
60 Hz	9.80 (86.7)		9.80 (86.7)		9.80 (86.7)	9.80 (86.7)	9.80 (86.7)	9.80 (86.7)	9.80 (86.7)	9.80 (86.7)	9.80 (86.7)	9.80 (86.7)	9.80 (86.7)	9.80 (86.7)	9.80 (86.7)	
Rotational direction		Same as motor rotational direction			Reverse to motor rotational direction											

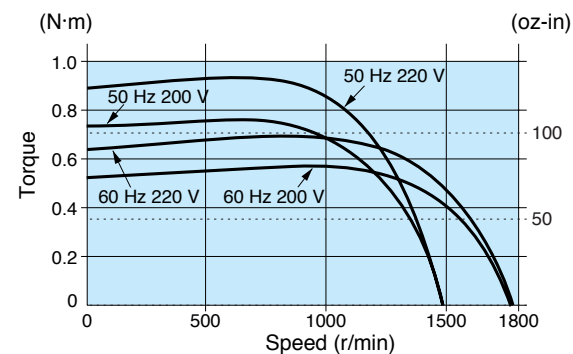
Connection diagram



Change any two lead wires of U, V and W for CW rotation.

Speed-torque characteristics

M9MX40GK4Y

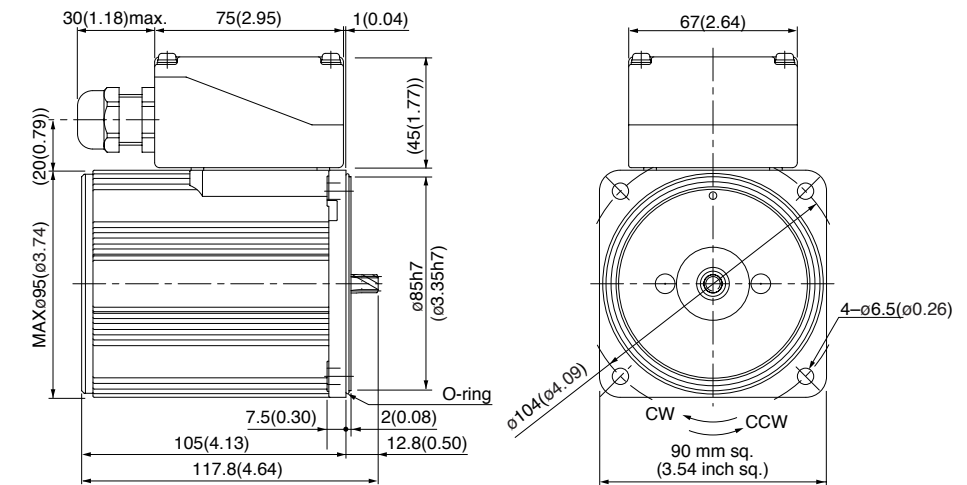


Motor (dimensions)

Scale: 1/3, Unit: mm (inch)

M9MX40GK4Y 4P 40 W 200 V / 220 V

Mass 2.8 kg 6.17 lb
Helical gear
Module 0.55
Number of teeth 9

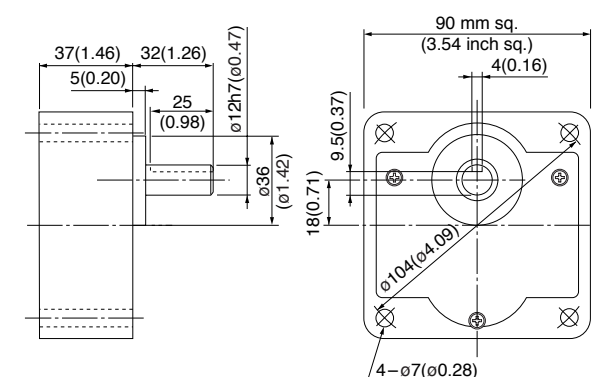


* Diameter of applicable cable to be ø8(ø0.31) to ø12(ø0.47).

Gear head (dimensions)

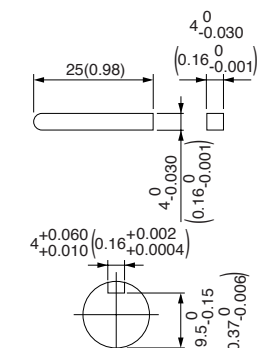
Scale: 1/3, Unit: mm (inch)

MX9G□B (ball bearing) Mass 0.8 kg (1.76 lb) MX9G□M (metal bearing) Mass 0.8 kg (1.76 lb)



Key and keyway (dimensions) [attachment]

MX9G□B(M)



* Please read your User's manual carefully so that you will understand the operation and safety precautions before attempting to operate the system.

(Note) Because the dimensions may be subject to change, also check the determinate dimensions if the gear head is to be used for design.

3-phase motor (sealed connector)

US CE CCC 90 mm (3.54 inch) sq. 40 W

Specifications

Size	Motor model No.	Number of pole (P)	Output (W)	Voltage (V)	Frequency (Hz)	Rating (min)	Rating				Starting current (A)	Starting torque N·m (oz-in)
							Input (W)	Current (A)	Speed (r/min)	Torque N·m (oz-in)		
90 mm sq.	M9MX40GK4YG M9MX40GK4YGA	4	40	200	50	Cont.	69	0.31	1350	0.28 (39.7)	0.90	0.72 (102)
							68	0.29	1625	0.24 (34.0)	0.82	0.51 (72.2)
				220	60		66	0.28	1675	0.23 (32.6)	0.91	0.63 (89.2)
							230	60	66	0.29	1675	0.23 (32.6)
	M9MX40GK4CG * M9MX40GK4CGA	4	40	380	50	Cont.			68	0.15	1325	0.29 (41.1)
							66	0.15	1350	0.28 (39.7)	0.47	0.74 (105)

* Do not use an inverter to drive 380 V/400 V motor.
 * The specifications and wire connections of the round shaft motor are the same as those of the pinion shaft type. For the dimensional outline drawing, refer to page B-165.
 * The models with a motor model number to which "A" is suffixed are not sold or available in Japan.

Permissible torque at output shaft of gear head

* The speed shown below is a calculated value based on the synchronous rotational speed. Depending on the load, the speed is less than the indicated value by 2% to 20%.

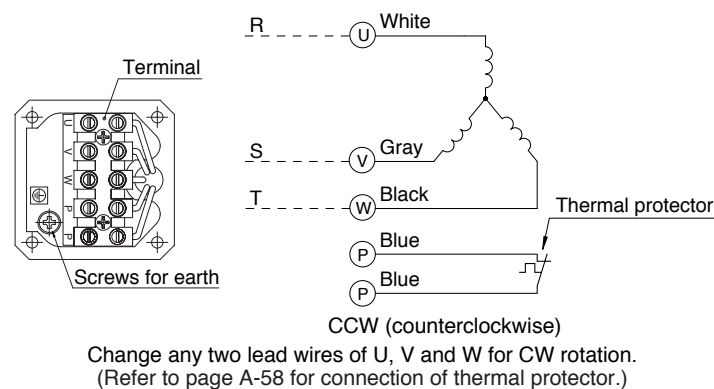
Unit of permissible torque: upper (N·m) / lower (lb-in)

Reduction ratio	Speed (r/min)																						
	3	3.6	5	6	7.5	9	10	12.5	15	18	20	25	30	36	50	60	75	90	100	120	150	180	
Speed (r/min)	50 Hz	500	416.7	300	250	200	166.7	150	120	100	83.3	75	60	50	41.7	30	25	20	16.7	15	12.5	10	8.3
	60 Hz	600	500	360	300	240	200	180	144	120	100	90	72	60	50	36	30	24	20	18	15	12	10
Applicable gear head	MX9G3B to MX9G180B (ball bearing)	50 Hz	0.66 (5.84)	0.78 (6.90)	1.08 (9.56)	1.27 (11.2)	1.57 (13.9)	1.86 (16.5)	2.25 (19.9)	2.74 (24.3)	3.23 (28.6)	3.92 (34.7)	4.41 (39.0)	5.29 (46.8)	6.37 (56.4)	7.94 (70.3)	9.80 (86.7)						
	MX9G3M to MX9G180M (metal bearing)	60 Hz	0.55 (4.87)	0.66 (5.84)	0.90 (7.97)	1.08 (9.56)	1.27 (11.2)	1.57 (13.9)	1.76 (15.6)	2.25 (19.9)	2.74 (24.3)	3.23 (28.6)	3.53 (31.2)	4.41 (39.0)	5.29 (46.8)	6.37 (56.4)	8.82 (78.1)						
Rotational direction	Same as motor rotational direction											Reverse to motor rotational direction											

Permissible torque at output shaft of gear head using decimal gear head

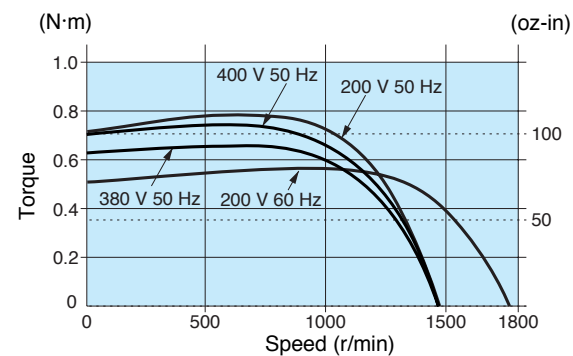
Applicable gear head		Reduction ratio	Speed (r/min)														
Bearing	Decimal gear head		50 Hz	7.5	6	5	4.2	3	2.5	2	1.7	1.5	1.3	1	0.8		
MX9G□B (ball bearing) MX9G□M (metal bearing)	MX9G10XB	Permissible torque	N·m (lb-in)	9.80 (86.7)	9.80 (86.7)	9.80 (86.7)	9.80 (86.7)	9.80 (86.7)	9.80 (86.7)	9.80 (86.7)	9.80 (86.7)	9.80 (86.7)	9.80 (86.7)	9.80 (86.7)	9.80 (86.7)		
		Rotational direction	Same as motor rotational direction			Reverse to motor rotational direction											

Connection diagram



Speed-torque characteristics

M9MX40GK4YG(A) / M9MX40GK4CG(A)

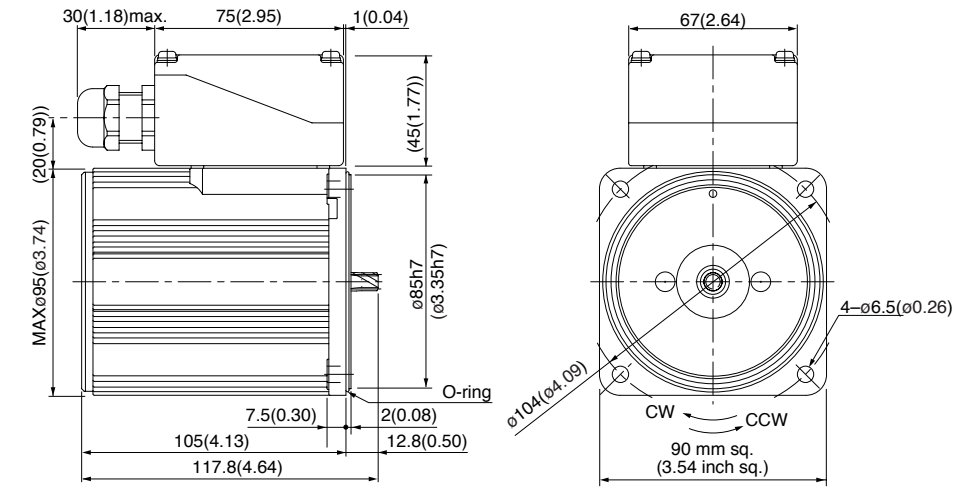


Motor (dimensions)

Scale: 1/3, Unit: mm (inch)

M9MX40GK4YG(A) 4P 40 W 200 V / 220 V / 230 V
 M9MX40GK4CG(A) 4P 40 W 380 V / 400 V

Mass 2.8 kg 6.17 lb
 Helical gear
 Module 0.55
 Number of teeth 9

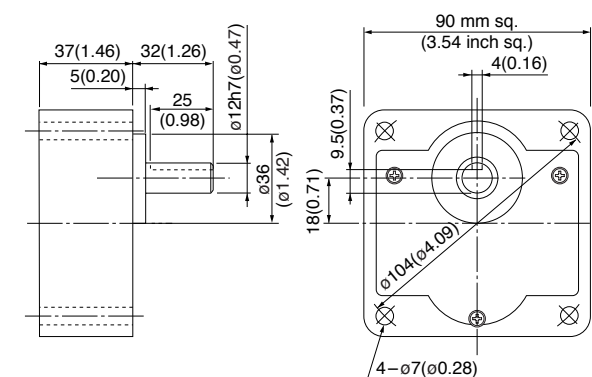


* Diameter of applicable cable to be ø8(ø0.31) to ø12(ø0.47).

Gear head (dimensions)

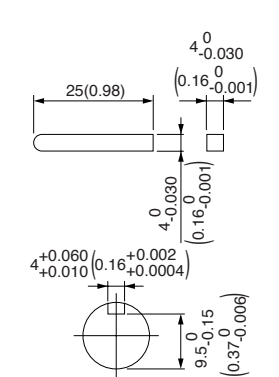
Scale: 1/3, Unit: mm (inch)

MX9G□B (ball bearing) Mass 0.8 kg (1.76 lb) MX9G□M (metal bearing) Mass 0.8 kg (1.76 lb)



Key and keyway (dimensions) [attachment]

MX9G□B(M)



* Please read your User's manual carefully so that you will understand the operation and safety precautions before attempting to operate the system.

(Note) Because the dimensions may be subject to change, also check the determinate dimensions if the gear head is to be used for design.

3-phase motor (sealed connector)

US CE CCC 90 mm (3.54 inch) sq. 60 W

Specifications

Size	Motor model No.	Number of pole (P)	Output (W)	Voltage (V)	Frequency (Hz)	Rating (min)	Rating				Starting current (A)	Starting torque N-m (oz-in)
							Input (W)	Current (A)	Speed (r/min)	Torque N-m (oz-in)		
90 mm sq.	M9MZ60GK4YG M9MZ60GK4YGA	4	60	200	50	Cont.	101	0.45	1350	0.42 (59.5)	1.3	1.0 (142)
					60		96	0.41	1625	0.35 (49.6)	1.2	0.69 (97.7)
				220	60	Cont.	98	0.40	1650	0.35 (49.6)	1.3	0.87 (123)
				230	60		98	0.41	1675	0.34 (48.1)	1.4	1.0 (142)
	M9MZ60GK4CG * M9MZ60GK4CGA	4	60	380	50	Cont.	98	0.22	1325	0.43 (60.9)	0.62	0.88 (125)
					400		50	98	0.22	1325	0.43 (60.9)	0.65

- * Do not use an inverter to drive 380 V/400 V motor.
- The specifications and wire connections of the round shaft motor are the same as those of the pinion shaft type. For the dimensional outline drawing, refer to page B-165.
- The models with a motor model number to which "A" is suffixed are not sold or available in Japan.

Permissible torque at output shaft of gear head

* The speed shown below is a calculated value based on the synchronous rotational speed. Depending on the load, the speed is less than the indicated value by 2% to 20%.

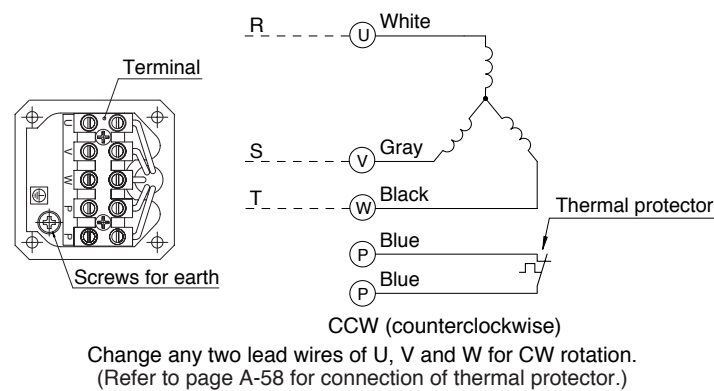
Unit of permissible torque: upper (N·m) / lower (lb-in)

Reduction ratio	Speed (r/min)																						
	3	3.6	5	6	7.5	9	10	12.5	15	18	20	25	30	36	50	60	75	90	100	120	150	180	200
50 Hz	500	416.7	300	250	200	166.7	150	120	100	83.3	75	60	50	41.7	30	25	20	16.7	15	12.5	10	8.3	7.5
60 Hz	600	500	360	300	240	200	180	144	120	100	90	72	60	50	36	30	24	20	18	15	12	10	9
Applicable gear head	Same as motor rotational direction												Reverse to motor rotational direction										
	Same as motor rotational direction												Same as motor rotational direction										

Permissible torque at output shaft of gear head using decimal gear head

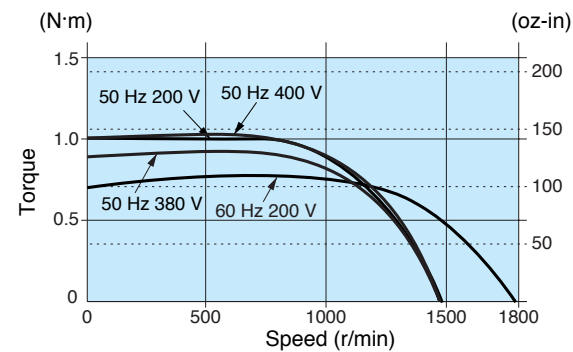
Applicable gear head		Reduction ratio	Speed (r/min)												
Bearing	Decimal gear head		50 Hz	60 Hz	250	300	360	500	600	750	900	1000	1200	1500	1800
MZ9G□B (ball bearing / hinge not attached)	MZ9G10XB	Permissible torque	N·m	19.6	19.6	19.6	19.6	19.6	19.6	19.6	19.6	19.6	19.6	19.6	19.6
		(lb-in)	(173)	(173)	(173)	(173)	(173)	(173)	(173)	(173)	(173)	(173)	(173)	(173)	(173)
MY9G□B (ball bearing / hinge attached)	MZ9G10XB	Permissible torque	N·m	19.6	19.6	19.6	19.6	19.6	19.6	19.6	19.6	19.6	19.6	19.6	19.6
(lb-in)		(173)	(173)	(173)	(173)	(173)	(173)	(173)	(173)	(173)	(173)	(173)	(173)	(173)	
Rotational direction		Reverse to motor rotational direction	Same as motor rotational direction												

Connection diagram



Speed-torque characteristics

M9MZ60GK4YG(A) / M9MZ60GK4CG(A)

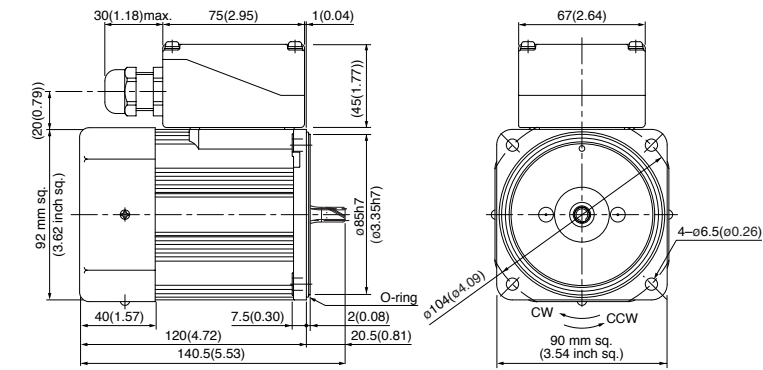


Motor (dimensions)

Scale: 1/4, Unit: mm (inch)

M9MZ60GK4YG(A) 4P 60 W 200 V / 220 V / 230 V (with fan)
 M9MZ60GK4CG(A) 4P 60 W 380 V / 400 V (with fan)

Mass 3.0 kg 6.61 lb
 Helical gear
 Module 0.6
 Number of teeth 9



* Diameter of applicable cable to be $\phi 8(\phi 0.31)$ to $\phi 12(\phi 0.47)$.

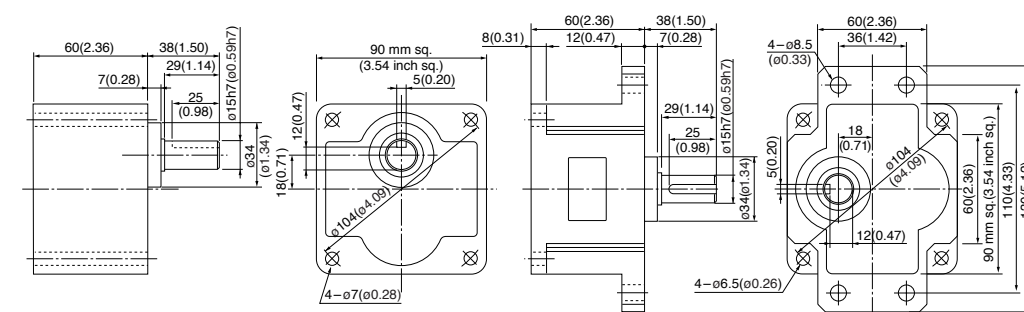
* Please read your User's manual carefully so that you will understand the operation and safety precautions before attempting to operate the system.

Gear head (dimensions)

Scale: 1/4, Unit: mm (inch)

MZ9G□B (ball bearing / hinge not attached)
 Mass 1.4 kg (3.09 lb)

MY9G□B (ball bearing / hinge attached)
 Mass 1.4 kg (3.09 lb)

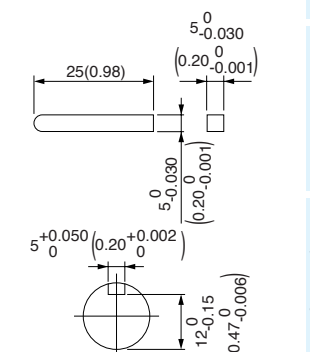


Note) MZ / MY is available for a gear head of either type.

(Note) Because the dimensions may be subject to change, also check the determinate dimensions if the gear head is to be used for design.

Key and keyway (dimensions) [attachment]

MZ9G□B
 MY9G□B



Specifications

Size	Motor model No.	Number of pole (P)	Output (W)	Voltage (V)	Frequency (Hz)	Rating (min)	Rating				Starting current (A)	Starting torque N-m (oz-in)
							Input (W)	Current (A)	Speed (r/min)	Torque N-m (oz-in)		
90 mm sq.	M9MZ90GK4Y	4	90	200	50	Cont.	141	0.62	1350	0.63 (89.2)	2.0	1.6 (227)
							137	0.56	1625	0.53 (75.1)	1.8	1.1 (156)
				220	50	Cont.	143	0.65	1400	0.62 (87.8)	2.2	2.0 (283)
							137	0.56	1650	0.52 (73.6)	2.0	1.4 (198)

* The specifications and wire connections of the round shaft motor are the same as those of the pinion shaft type. For the dimensional outline drawing, refer to page B-165.

Permissible torque at output shaft of gear head

* The speed shown below is a calculated value based on the synchronous rotational speed. Depending on the load, the speed is less than the indicated value by 2% to 20%.

Unit of permissible torque: upper (N·m) / lower (lb·in)

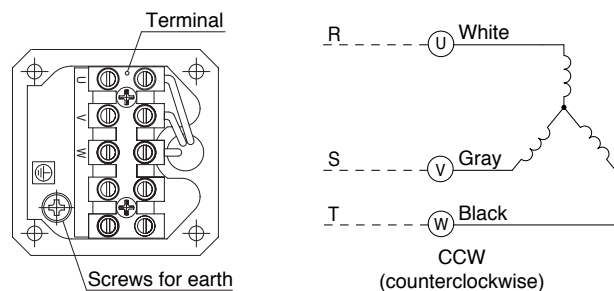
Reduction ratio	Speed (r/min)																								
	50 Hz	60 Hz	3	3.6	5	6	7.5	9	10	12.5	15	18	20	25	30	36	50	60	75	90	100	120	150	180	200
50 Hz	1.37 (12.1)	1.67 (14.8)	2.25 (19.9)	2.74 (24.3)	3.43 (30.4)	4.12 (36.5)	4.51 (39.9)	5.68 (50.3)	6.76 (59.8)	8.04 (71.2)	9.02 (79.8)	10.9 (96.5)	13.0 (115)	15.7 (139)	19.6 (173)										
60 Hz	1.18 (10.4)	1.37 (12.1)	1.86 (16.5)	2.25 (19.9)	2.84 (25.1)	3.43 (30.4)	3.72 (32.9)	4.70 (41.6)	5.68 (50.3)	6.76 (59.8)	7.55 (66.8)	9.21 (81.5)	10.9 (96.5)	13.0 (115)	18.3 (162)										

Rotational direction: Same as motor rotational direction / Reverse to motor rotational direction / Same as motor rotational direction

Permissible torque at output shaft of gear head using decimal gear head

Applicable gear head		Reduction ratio		Speed (r/min)																				
Bearing	Decimal gear head	Speed (r/min)	50 Hz		60 Hz		Permissible torque																	
			50 Hz	60 Hz	50 Hz	60 Hz	250	300	360	500	600	750	900	1000	1200	1500	1800							
MZ9G□B (ball bearing / hinge not attached)	MZ9G10XB	Permissible torque	N-m (lb-in)	19.6 (173)	19.6 (173)	19.6 (173)	19.6 (173)	19.6 (173)	19.6 (173)	19.6 (173)	19.6 (173)	19.6 (173)	19.6 (173)	19.6 (173)	19.6 (173)	19.6 (173)	19.6 (173)	19.6 (173)	19.6 (173)	19.6 (173)	19.6 (173)	19.6 (173)	19.6 (173)	19.6 (173)
MY9G□B (ball bearing / hinge attached)			Rotational direction	Reverse to motor rotational direction	Same as motor rotational direction																			

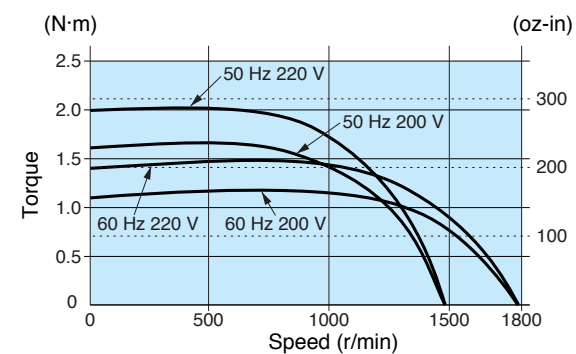
Connection diagram



Change any two lead wires of U, V and W for CW rotation.

Speed-torque characteristics

M9MZ90GK4Y

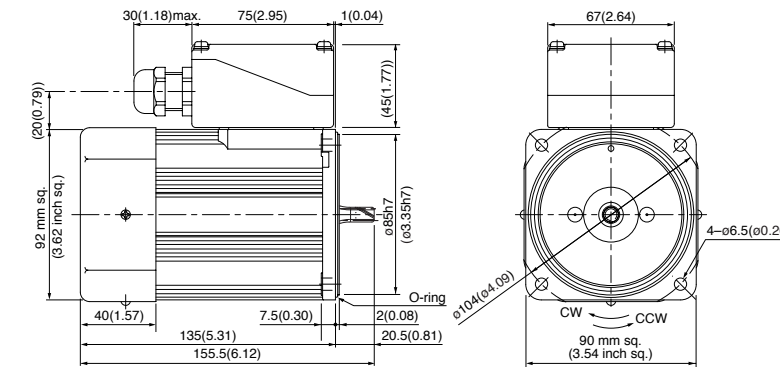


Motor (dimensions)

M9MZ90GK4Y 4P 90 W 200 V / 220 V (with fan)

Scale: 1/4, Unit: mm (inch)

Mass	Helical gear	Module	Number of teeth
3.3 kg (7.28 lb)		0.6	9



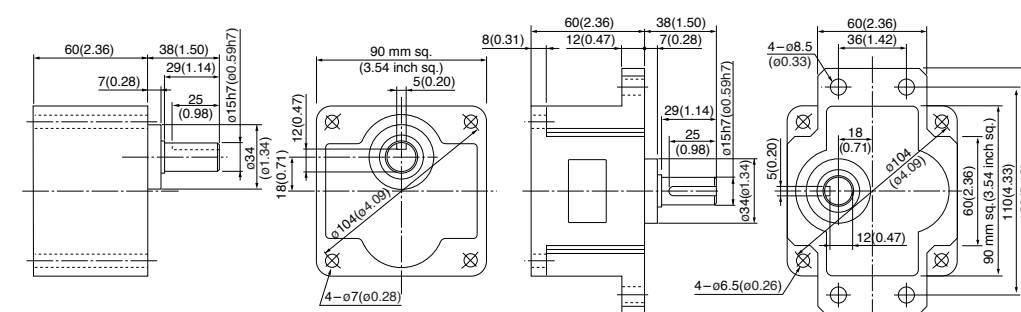
* Diameter of applicable cable to be ø8(ø0.31) to ø12(ø0.47).

Gear head (dimensions)

Scale: 1/4, Unit: mm (inch)

MZ9G□B (ball bearing / hinge not attached)
Mass 1.4 kg (3.09 lb)

MY9G□B (ball bearing / hinge attached)
Mass 1.4 kg (3.09 lb)

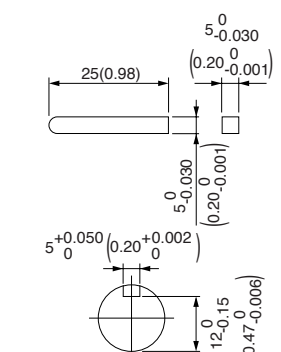


Note) MZ / MY is available for a gear head of either type.

(Note) Because the dimensions may be subject to change, also check the determinate dimensions if the gear head is to be used for design.

Key and keyway (dimensions) [attachment]

MZ9G□B
MY9G□B



3-phase motor (sealed connector)

US CE CCC 90 mm (3.54 inch) sq. 90 W

Specifications

Size	Motor model No.	Number of pole (P)	Output (W)	Voltage (V)	Frequency (Hz)	Rating (min)	Rating				Starting current (A)	Starting torque N-m (oz-in)
							Input (W)	Current (A)	Speed (r/min)	Torque N-m (oz-in)		
90 mm sq.	M9MZ90GK4YG M9MZ90GK4YGA	4	90	200	50	Cont.	142	0.62	1350	0.63 (89.2)	2.0	1.6 (227)
							138	0.56	1625	0.53 (75.1)	1.8	1.1 (156)
				220	60		137	0.56	1650	0.52 (73.6)	2.0	1.4 (198)
				230	60		137	0.58	1675	0.51 (72.2)	2.1	1.6 (227)
	M9MZ90GK4CG * M9MZ90GK4CGA	4	90	380	50	Cont.	144	0.31	1325	0.65 (92.0)	1.0	1.4 (198)
							144	0.31	1350	0.64 (90.6)	1.0	1.6 (227)
				400	50							

* Do not use an inverter to drive 380 V/400 V motor.
 * The specifications and wire connections of the round shaft motor are the same as those of the pinion shaft type. For the dimensional outline drawing, refer to page B-165.
 * The models with a motor model number to which "A" is suffixed are not sold or available in Japan.

Permissible torque at output shaft of gear head

* The speed shown below is a calculated value based on the synchronous rotational speed. Depending on the load, the speed is less than the indicated value by 2% to 20%.

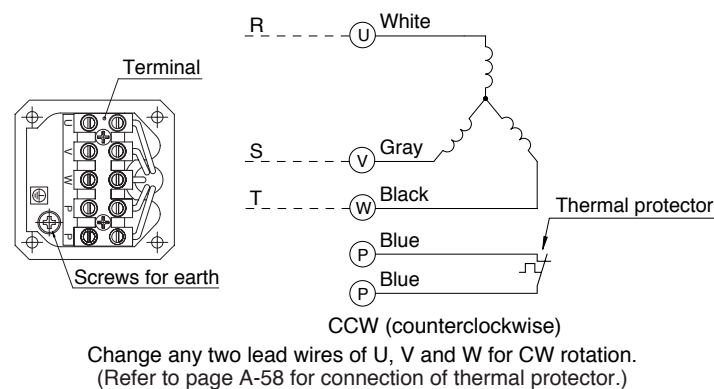
Unit of permissible torque: upper (N·m) / lower (lb-in)

Reduction ratio	Speed (r/min)																							
	3	3.6	5	6	7.5	9	10	12.5	15	18	20	25	30	36	50	60	75	90	100	120	150	180	200	
Speed (r/min)	50 Hz	500	416.7	300	250	200	166.7	150	120	100	83.3	75	60	50	41.7	30	25	20	16.7	15	12.5	10	8.3	7.5
	60 Hz	600	500	360	300	240	200	180	144	120	100	90	72	60	50	36	30	24	20	18	15	12	10	9
Applicable gear head	MZ9G3B to MZ9G200B (ball bearing / hinge not attached)	1.37	1.67	2.25	2.74	3.43	4.12	4.51	5.68	6.76	8.04	9.02	10.9	13.0	15.7	19.6							19.6	(173)
	MY9G3B to MY9G200B (ball bearing / hinge attached)	1.18	1.37	1.86	2.25	2.84	3.43	3.72	4.70	5.68	6.76	7.55	9.21	10.9	13.0	18.3							19.6	(173)
Rotational direction	Same as motor rotational direction											Reverse to motor rotational direction					Same as motor rotational direction							

Permissible torque at output shaft of gear head using decimal gear head

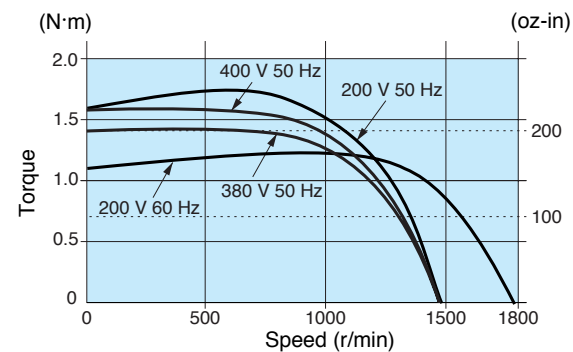
Applicable gear head		Reduction ratio	Speed (r/min)												
Bearing	Decimal gear head		50 Hz	60 Hz	6	5	4.2	3	2.5	2	1.7	1.5	1.3	1	0.8
MZ9G□B (ball bearing / hinge not attached)	MZ9G10XB	Permissible torque	N·m	19.6	19.6	19.6	19.6	19.6	19.6	19.6	19.6	19.6	19.6	19.6	19.6
MY9G□B (ball bearing / hinge attached)			(lb-in)	(173)	(173)	(173)	(173)	(173)	(173)	(173)	(173)	(173)	(173)	(173)	(173)
Rotational direction			Reverse to motor rotational direction			Same as motor rotational direction									

Connection diagram



Speed-torque characteristics

M9MZ90GK4YG(A) / M9MZ90GK4CG(A)

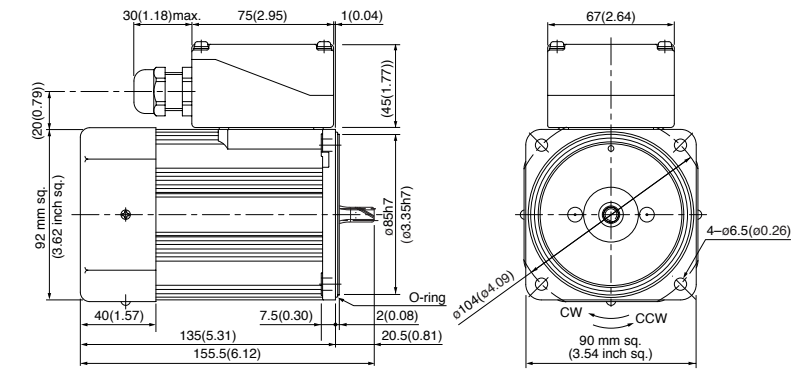


Motor (dimensions)

Scale: 1/4, Unit: mm (inch)

M9MZ90GK4YG(A) 4P 90 W 200 V / 220 V / 230 V (with fan)
 M9MZ90GK4CG(A) 4P 90 W 380 V / 400 V (with fan)

Mass 3.3 kg 7.28 lb
 Helical gear
 Module 0.6
 Number of teeth 9



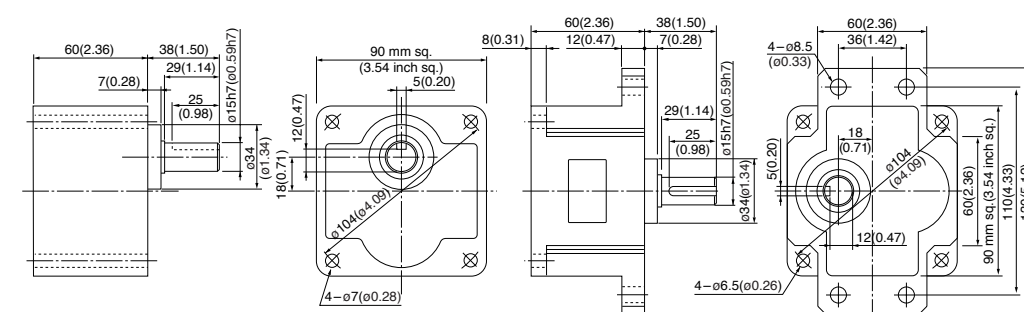
* Diameter of applicable cable to be $\phi 8(\phi 0.31)$ to $\phi 12(\phi 0.47)$.

Gear head (dimensions)

Scale: 1/4, Unit: mm (inch)

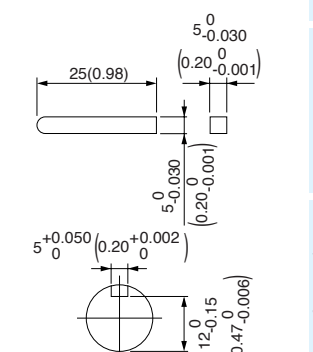
MZ9G□B (ball bearing / hinge not attached)
 Mass 1.4 kg (3.09 lb)

MY9G□B (ball bearing / hinge attached)
 Mass 1.4 kg (3.09 lb)



Key and keyway (dimensions) [attachment]

MZ9G□B
 MY9G□B



Note) MZ / MY is available for a gear head of either type.

(Note) Because the dimensions may be subject to change, also check the determinate dimensions if the gear head is to be used for design.

3-phase motor (leadwire)

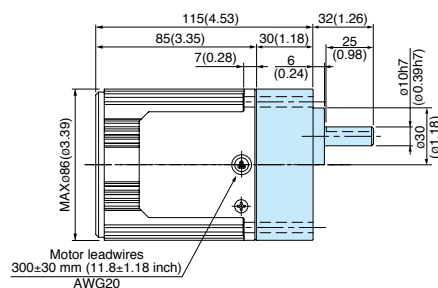
Gear head combination dimensions

Scale: 1/4, Unit: mm (inch)

* Gear head is sold separately.

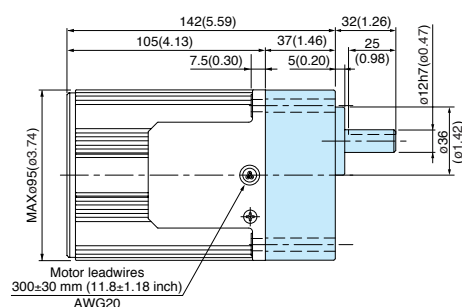
80 mm sq. (3.15 inch sq.) 25 W

M8MX25G4Y + MX8G□B(M)
M8MX25G4YG(A) + MX8G□B(M)



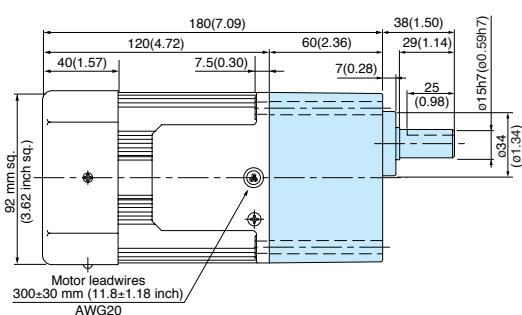
90 mm sq. (3.54 inch sq.) 40 W

M9MX40G4Y + MX9G□B(M)
M9MX40G4YG(A) + MX9G□B(M)



90 mm sq. (3.54 inch sq.) 60 W

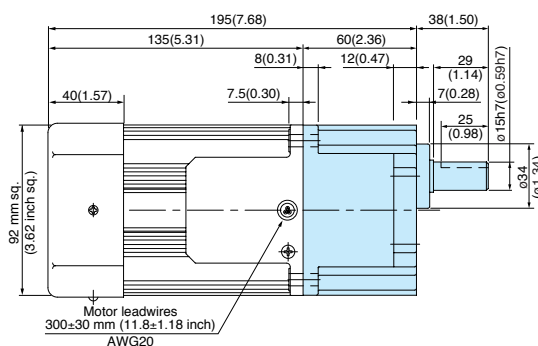
M9MZ60G4Y + MZ9G□B (MY9G□B)
M9MZ60G4YG(A) + MZ9G□B (MY9G□B)



* Refer to page B-444 for high torque gear head.

90 mm sq. (3.54 inch sq.) 90 W

M9MZ90G4Y + MY9G□B (MZ9G□B)
M9MZ90G4YG(A) + MY9G□B (MZ9G□B)



* Refer to page B-444 for high torque gear head.

3-phase motor (sealed connector)

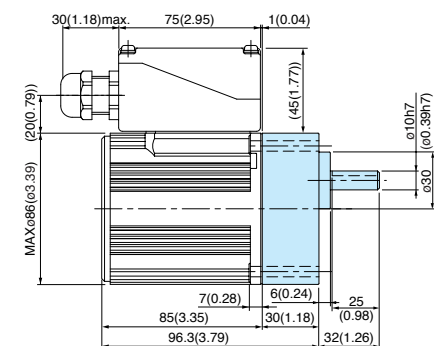
Gear head combination dimensions

Scale: 1/4, Unit: mm (inch)

* Gear head is sold separately.

80 mm sq. (3.15 inch sq.) 25 W

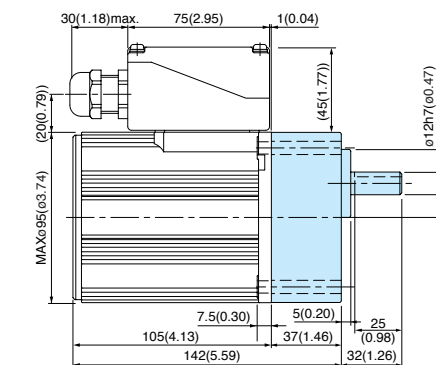
M8MX25GK4Y + MX8G□B(M)
M8MX25GK4YG(A) + MX8G□B(M)
M8MX25GK4CG(A) + MX8G□B(M)



* Diameter of applicable cabtyre cable to be ø8(ø0.31) to ø12(ø0.47).

90 mm sq. (3.54 inch sq.) 40 W

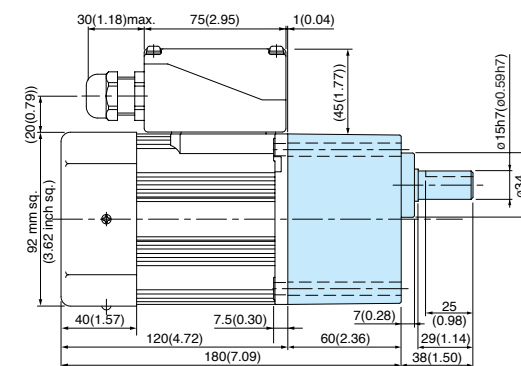
M9MX40GK4Y + MX9G□B(M)
M9MX40GK4YG(A) + MX9G□B(M)
M9MX40GK4CG(A) + MX9G□B(M)



* Diameter of applicable cabtyre cable to be ø8(ø0.31) to ø12(ø0.47).

90 mm sq. (3.54 inch sq.) 60 W

M9MZ60GK4Y + MZ9G□B (MY9G□B)
M9MZ60GK4YG(A) + MZ9G□B (MY9G□B)
M9MZ60GK4CG(A) + MZ9G□B (MY9G□B)

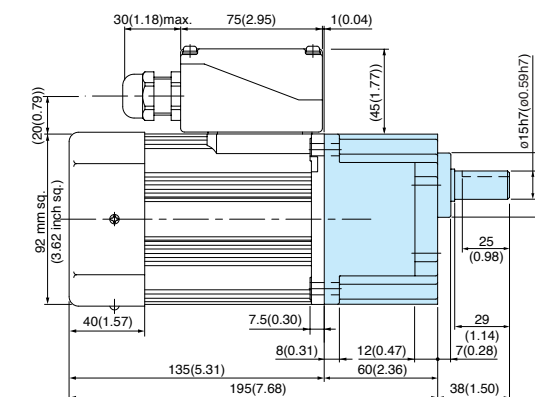


* Diameter of applicable cabtyre cable to be ø8(ø0.31) to ø12(ø0.47).

* Refer to page B-444 for high torque gear head.

90 mm sq. (3.54 inch sq.) 90 W

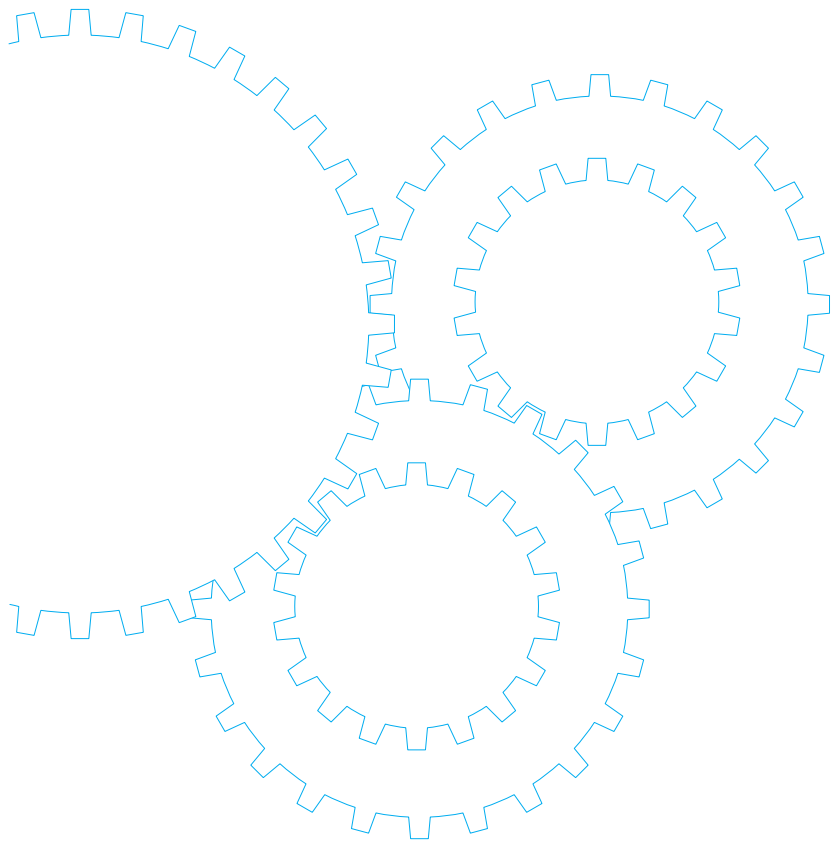
M9MZ90GK4Y + MY9G□B (MZ9G□B)
M9MZ90GK4YG(A) + MY9G□B (MZ9G□B)
M9MZ90GK4CG(A) + MY9G□B (MZ9G□B)



* Diameter of applicable cabtyre cable to be ø8(ø0.31) to ø12(ø0.47).

* Refer to page B-444 for high torque gear head.

Electromagnetic brake motor



Contents	
• Motor Overview	B-168
• Model list	B-174
• Product information for each model	B-178
• Gear head combination dimensions	B-218
• Round shaft motor dimensions	B-220

Outline of electromagnetic brake motor

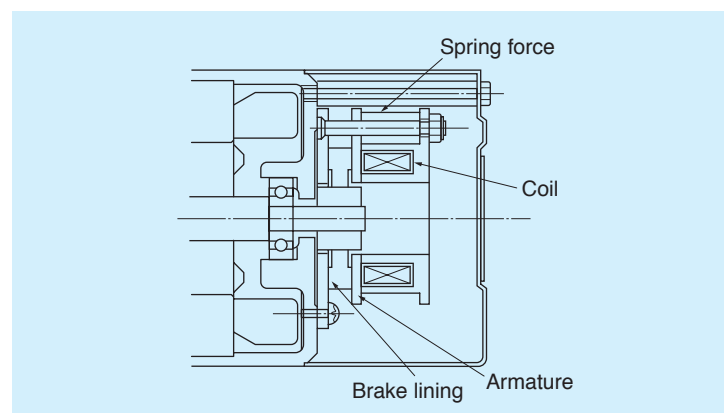
Features

- It is suitable for holding the load.
Because the electromagnetic brake is off, when the power is turned off, it will be activated and hold the load securely.
- The brake can be used as an excellent safety brake.
Among the examples are emergency braking at the time of power failure, load holding for a long period of time and the prevention of free-run of the machine.
- The brake will be activated instantly.
The overrun is only 2 to 4 revolutions when the motor is used alone.
- A quick-reversal run can be frequently.
Up to 6 cycles of start/stop can be performed through simple switching. (Secure 3 seconds or longer for a pause.)
If it is necessary that the frequency of reversal operation is 7 to 100 cycles per minute, use the C&B motor. (For running in one direction only)
- Common power for both motor and brake can be used.
Because the electromagnetic brake section contains a rectifier circuit, it can use the same AC power supply as the motor.

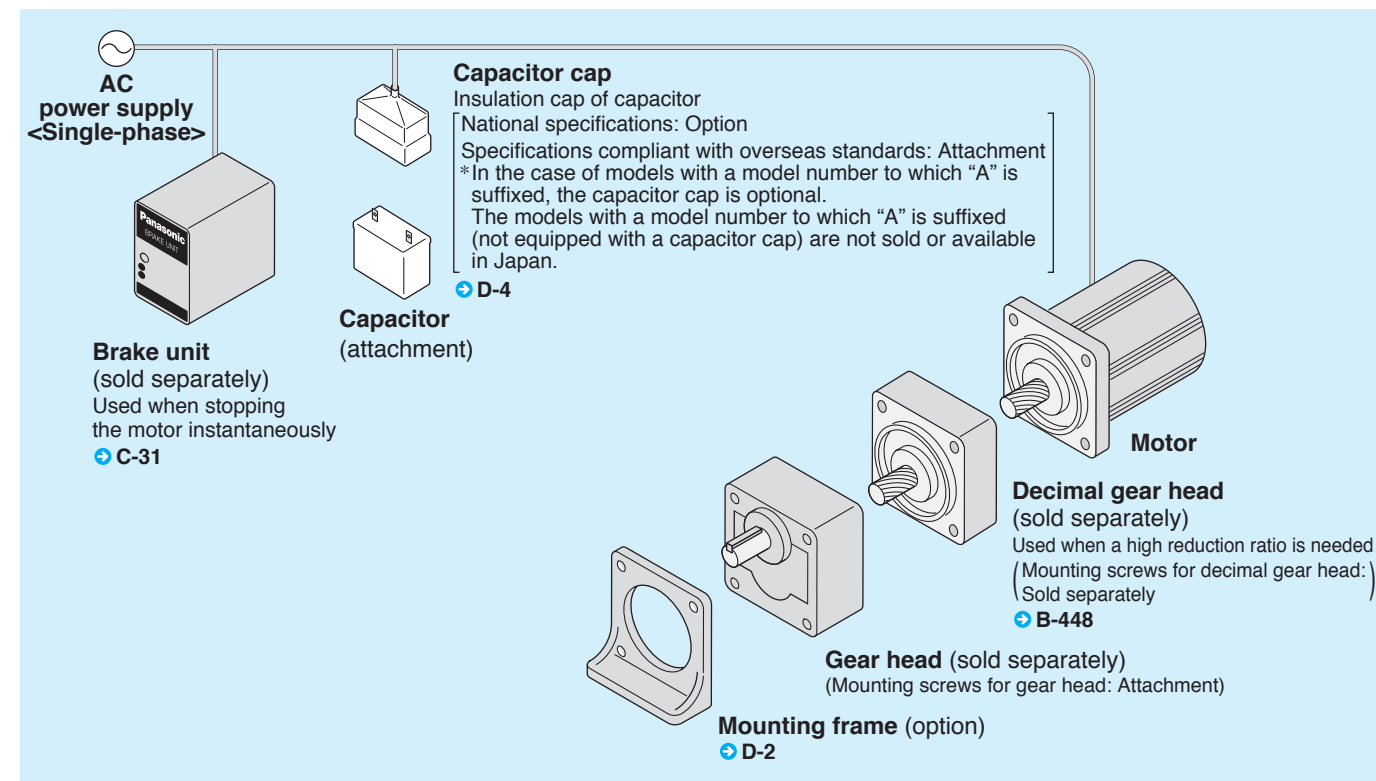
Principle of Operation

The construction of the electromagnetic brake motor is shown below. The electromagnetic brake is off. When voltage is applied to the coil, the armature is retracted to the spring. This creates an air gap between the armature and brake lining. The motor shaft is then released from braking to run freely. When the voltage to the coil is shut off (the power is turned off), the armature is pressed against the brake lining by the spring force to stop the motor shaft.

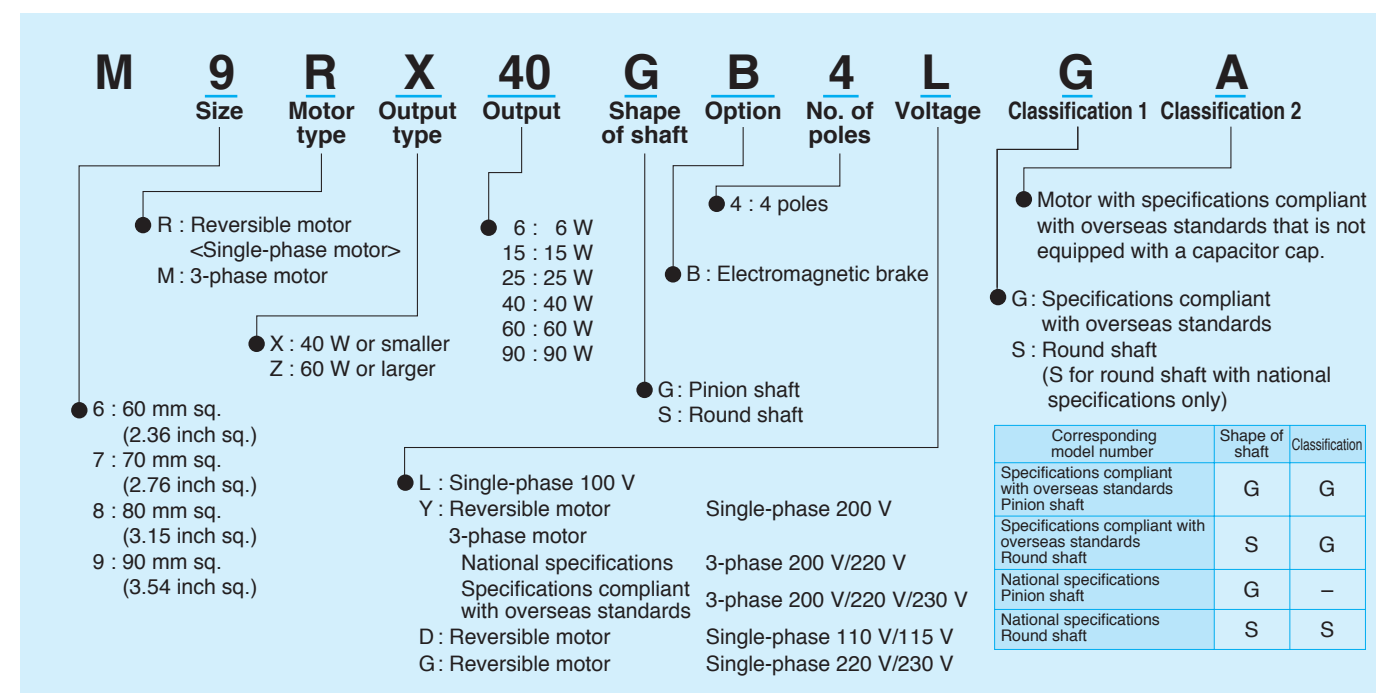
Construction



System configuration diagram <In the case of single-phase power supply>



Coding system



Fit tolerance

Fit tolerance symbol is used in the outside dimension diagram of motor and gear head. For further information, see "Fit tolerance" on page A-33.

Outline of electromagnetic brake motor

Various characteristics of electromagnetic brake motor

The characteristics of the electromagnetic motor include responses regarding a start time, stop time, overrun, etc. And these are all affected by the load inertia.

The characteristics of the electromagnetic motor depend on the following three elements.

- 1) Average acceleration torque of the motor
- 2) Average value of brake torque
- 3) Load torque and inertia

When these elements are identified, the start time and stop time will be determined. It is necessary to give sufficient attention to the load inertia in particular because it varies depending on the equipment used together with the motor. These various characteristics are shown below.

• **Characteristic table** [The brake response characteristics shown below are those obtained when the motor is used alone (load inertia=0).]

No. of phases	Size	Output (W)	Rotor inertia			Brake torque			Frequency (Hz)	Start time (s)	Stop time (s)	Overrun (revolutions)
			J(kg·cm ²)	J (oz-in ²)	GD ² (kgf·cm ²)	N·m	kgf·cm	oz-in				
Single-phase Reversible	60 mm sq. (2.36 inch sq.)	6	0.201	1.099	0.805	0.049	0.5	6.94	50	0.07	0.08	1.5
									60	0.09	0.09	1.6
	70 mm sq. (2.76 inch sq.)	15	0.329	1.799	1.316	0.078	0.8	11.05	50	0.07	0.05	1.5
									60	0.085	0.07	1.5
	80 mm sq. (3.15 inch sq.)	25	0.603	3.299	2.411	0.10	1.0	14.16	50	0.05	0.13	2.2
									60	0.06	0.14	2.3
	90 mm sq. (3.54 inch sq.)	40	1.362	7.447	5.446	0.20	2.0	28.32	50	0.065	0.14	3.0
									60	0.08	0.15	3.5
		60	1.862	10.180	7.447	0.39	4.0	55.23	50	0.055	0.11	2.5
									60	0.065	0.12	2.9
		90	2.353	12.865	9.413	0.39	4.0	55.23	50	0.07	0.13	2.8
									60	0.075	0.14	3.2
3-phase	80 mm sq. (3.15 inch sq.)	25	0.603	3.297	2.411	0.10	1.0	14.16	50	0.05	0.13	2.2
									60	0.06	0.14	2.3
	40	1.362	7.447	5.446	0.20	2.0	28.32	50	0.05	0.15	3.5	
								60	0.06	0.16	4.0	
	60	1.862	10.180	7.447	0.39	4.0	55.23	50	0.06	0.12	3.0	
								60	0.065	0.13	3.4	
	90	2.286	12.499	9.143	0.39	4.0	55.23	50	0.06	0.14	3.3	
								60	0.065	0.15	3.7	

• Inertia

To describe the moment of inertia when handling motors, **J** and **GD²** are used. **J** is generally called Inertia and has the same value as the physical moment of inertia in SI Units. The unit is in [kgf·m²].

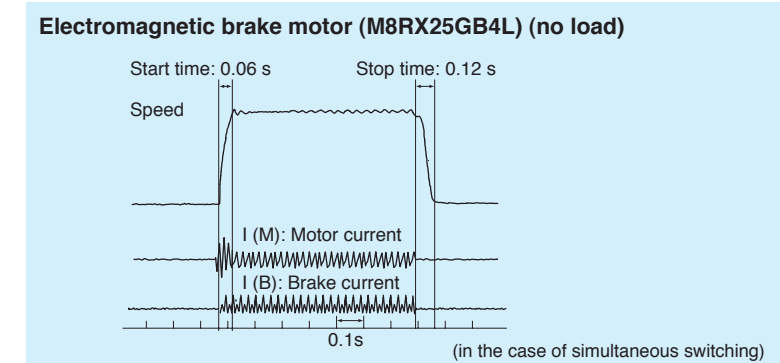
GD² is called "Flywheel Effect" and generally used in industrial applications with gravitational systems of units. The unit is in [kgf·m²] or [kgf·cm²]. The relation between **J** and **GD²** is described as follows:

$$J = GD^2 / 4$$

In this catalog, we both use **J** for SI units and **GD²** for gravitational system of units. Unit of **J** should be [kgf·m²] in dynamical significance, however, [kgf·cm²] is used for convenience. Refer to the attached table (page A-48) for calculation of **J** and **GD²** depending on the shape of the load.

Response of electromagnetic brake motor

The following figure shows the start time, stop time and speed variation of the electromagnetic brake motor.



(1) Start time

You can obtain the start time (**ts**) of the motor from the following formula.

• SI units

$$t_s = \frac{J_M + J_L}{9.55 \times 10^4} \times \frac{n}{T_A - T_L}$$

ts : Start time (s)
TA : Average acceleration torque (N·m)
TL : Load torque (N·m)
JM : Motor inertia (kg·cm²)
JL : Load inertia (kg·cm²)
n : Motor speed (r/min)

• Gravitational system of units

$$t_s = \frac{GD^2_M + GD^2_L}{37500} \times \frac{n}{T_A - T_L}$$

ts : Start time (s)
TA : Average acceleration torque (kgf·cm)
TL : Load torque (kgf·cm)
GD²M : Rotor GD² (kgf·cm²)
GD²L : Load GD² (kgf·cm²)
n : Motor speed (r/min)

• Average acceleration torque of electromagnetic brake motor

No. of phases	Size	Output (W)	Rotor inertia			Average acceleration torque			Permissible load inertia at motor shaft				
			J (kg·cm ²)	J (oz-in ²)	GD ² (kgf·cm ²)	(N·m)	(oz-in)	(kgf·cm)	J (kg·cm ²)	J (oz-in ²)	GD ² (kgf·cm ²)		
Single-phase Reversible	60 mm sq. (2.36 inch sq.)	6	0.201	1.099	0.805	50 Hz	0.0637	9.02	0.65	0.080	0.437	0.32	
						60 Hz	0.0647	9.16	0.66				
	70 mm sq. (2.76 inch sq.)	15	0.329	1.799	1.316	50 Hz	0.120	16.99	1.22	0.158	0.864	0.63	
						60 Hz	0.114	16.14	1.16				
	80 mm sq. (3.15 inch sq.)	25	0.603	3.299	2.411	50 Hz	0.235	33.28	2.40	0.178	0.973	0.71	
						60 Hz	0.222	31.44	2.27				
	90 mm sq. (3.54 inch sq.)	40	1.362	7.447	5.446	50 Hz	0.439	62.17	4.48	0.735	4.019	2.94	
						60 Hz	0.420	59.48	4.29				
		60	1.862	10.180	7.447	0.39	50 Hz	0.639	90.49	6.52	0.875	4.784	3.50
							60 Hz	0.615	87.09	6.27			
		90	2.353	12.865	9.413	0.39	50 Hz	0.859	121.64	8.76	1	5.468	4.0
							60 Hz	0.804	113.86	8.20			
3-phase	80 mm sq. (3.15 inch sq.)	25	0.603	3.297	2.411	50 Hz	0.388	54.95	3.96	0.178	0.973	0.71	
						60 Hz	0.306	43.33	3.12				
	40	1.362	7.447	5.446	0.20	50 Hz	0.667	94.46	6.80	0.735	4.019	2.94	
						60 Hz	0.513	72.65	5.23				
	60	1.862	10.180	7.447	0.39	50 Hz	1.031	146.00	10.51	0.875	4.784	3.50	
						60 Hz	0.767	108.62	7.82				
	90	2.286	12.499	9.143	0.39	50 Hz	1.429	202.36	14.57	1	5.468	4.0	
						60 Hz	1.065	150.82	10.86				

Outline of electromagnetic brake motor

(2) Stop time

The brake of the electromagnetic brake motor is activated when the power is turned off. However there exists some delay time between power-off and brake activation due to the mechanism of the brake. You can obtain the stop time of the electromagnetic brake motor from the following formula.

• SI units

$$T_b = T_a + T_{b1}$$

$$T_{b1} = \frac{J_M + J_L}{9.55 \times 10^4} \times \frac{n}{T_{bB}}$$

T_b : Stop time of electromagnetic brake motor (s)

T_a : Absorbing time of armature :

Separate switching About 0.02 sec

Simultaneous switching About 0.1 sec

T_{b1} : Braking time (s)

T_{bB} : Brake torque of electromagnetic brake motor (N·m)

• Gravitational system of units

$$T_b = T_a + T_{b1}$$

$$T_{b1} = \frac{GD^2_M + GD^2_L}{37500} \times \frac{n}{T_{bB}}$$

T_b : Stop time of electromagnetic brake motor (s)

T_a : Absorbing time of armature :

Separate switching About 0.02 sec

Simultaneous switching About 0.1 sec

T_{b1} : Braking time (s)

T_{bB} : Brake torque of electromagnetic brake motor (kgf·cm)

(3) Stop time and overrun

An overrun is defined as a revolution which the motor makes when the stop signal is inputted. You can obtain the overrun of the electromagnetic brake motor from the following formula, considering the absorbing time of the

$$nbB = a + \frac{n}{120} \times tb1 \dots\dots\dots(5)$$

where

nbB : Overrun of electromagnetic brake motor (revolution)

a : Constant due to delay

Separate switching: 0.43 (50 Hz), 0.53 (60 Hz)

Simultaneous switching: 2.15 (50 Hz), 2.65 (60 Hz)

(4) Overrun of gear head output shaft

The overrun of the gear head output shaft is obtained by dividing the overrun of the electromagnetic brake motor by the gear reduction ratio.

• Overrun in revolution $nGbB = nbB \times \frac{1}{i}$

• Overrun in angle $\thetaGbB = 360nGbB$

where

$nGbB$: Overrun of gear head output shaft (revolution)

θGbB : Overrun of gear head output shaft (degree)

nbB : Overrun of electromagnetic brake motor (revolution)

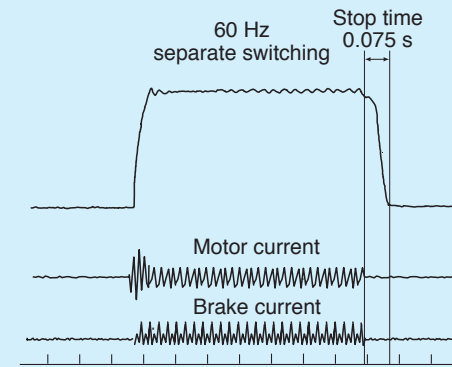
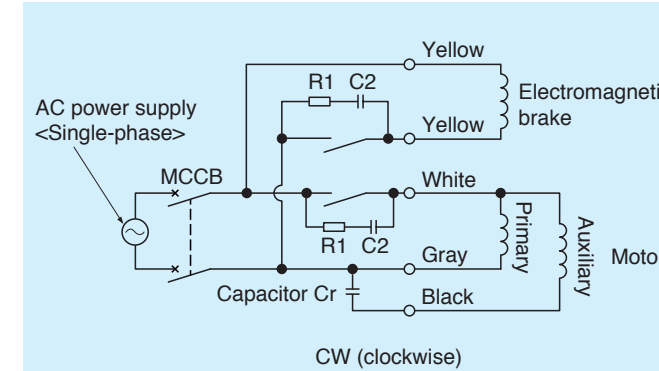
Separate switching and simultaneous switching <In the case of single-phase power supply>

In the case of the electromagnetic brake motor, the stop time varies depending on the position where the switch is connected.

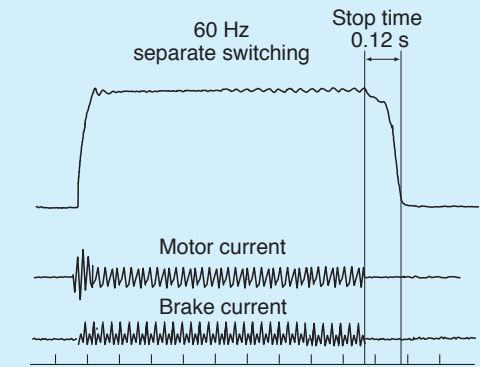
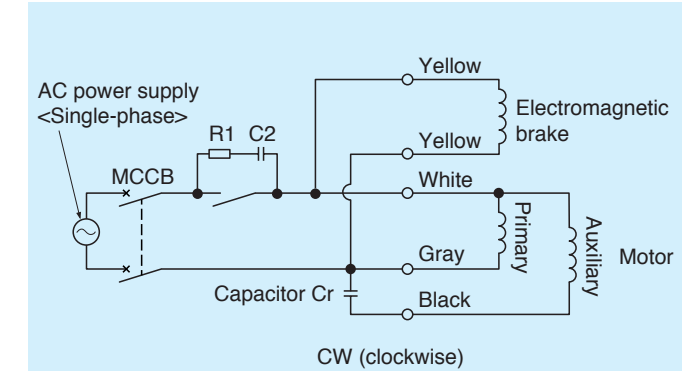
In the case of a simultaneous switching circuit, because the motor coil and brake coil are in a closed loop, the release time of the armature is made longer due to the effect of the residual magnetic flux to the coil, resulting in a longer stop time.

When a shorter stop time is required, use a separate switching circuit.

• Separate switching circuit



• Simultaneous switching circuit



Life expectancy

The life expectancy of the brake of the electromagnetic brake motor is one million cycles at the permissible inertia load.

The permissible inertia load of the electromagnetic brake motor is shown on page A-51, which should not be exceeded.

Model list of electromagnetic brake motor

Pinion shaft motor

Applicable gear head

★ Motor compliant with overseas standards 

 Hinge attached

Size	Output (W)	single-phase motor, leadwire type			3-phase motor, leadwire type		
		Model number	Specifications	Page	Model number	Specifications	Page
60 mm sq. (2.36 inch sq.)	4						
	6	M6RX6GB4L	100 V	B-178			
		M6RX6GB4Y	200 V	B-178			
		M6RX6GB4LG(A)	100 V ★	B-180			
		M6RX6GB4DG(A)	110 V/115 V ★	B-180			
		M6RX6GB4YG(A)	200 V ★	B-180			
M6RX6GB4GG(A)	220 V/230 V ★	B-180					
70 mm sq. (2.76 inch sq.)	10						
	15	M7RX15GB4L	100 V	B-182			
		M7RX15GB4Y	200 V	B-182			
		M7RX15GB4LG(A)	100 V ★	B-184			
		M7RX15GB4DG(A)	110 V/115 V ★	B-184			
		M7RX15GB4YG(A)	200 V ★	B-184			
M7RX15GB4GG(A)	220 V/230 V ★	B-184					
80 mm sq. (3.15 inch sq.)	20						
	25	M8RX25GB4L	100 V	B-186			
		M8RX25GB4Y	200 V	B-186	M8MX25GB4Y	200 V	B-202
		M8RX25GB4LG(A)	100 V ★	B-188			
		M8RX25GB4DG(A)	110 V/115 V ★	B-188			
		M8RX25GB4YG(A)	200 V ★	B-188	M8MX25GB4YG(A)	200 V/220 V/230 V ★	B-204
M8RX25GB4GG(A)	220 V/230 V ★	B-188					
90 mm sq. (3.54 inch sq.)	40	M9RX40GB4L	100 V	B-190			
		M9RX40GB4Y	200 V	B-190	M9MX40GB4Y	200 V	B-206
		M9RX40GB4LG(A)	100 V ★	B-192			
		M9RX40GB4DG(A)	110 V/115 V ★	B-192			
		M9RX40GB4YG(A)	200 V ★	B-192	M9MX40GB4YG(A)	200 V/220 V/230 V ★	B-208
		M9RX40GB4GG(A)	220 V/230 V ★	B-192			
	60	M9RZ60GB4L	100 V	B-194			
		M9RZ60GB4Y	200 V	B-194	M9MZ60GB4Y	200 V	B-210
		M9RZ60GB4LG(A)	100 V ★	B-196			
		M9RZ60GB4DG(A)	110 V/115 V ★	B-196			
		M9RZ60GB4YG(A)	200 V ★	B-196	M9MZ60GB4YG(A)	200 V/220 V/230 V ★	B-212
		M9RZ60GB4GG(A)	220 V/230 V ★	B-196			
90	M9RZ90GB4L	100 V	B-198				
	M9RZ90GB4Y	200 V	B-198	M9MZ90GB4Y	200 V	B-214	
	M9RZ90GB4LG(A)	100 V ★	B-200				
	M9RZ90GB4DG(A)	110 V/115 V ★	B-200				
	M9RZ90GB4YG(A)	200 V ★	B-200	M9MZ90GB4YG(A)	200 V/220 V/230 V ★	B-216	
	M9RZ90GB4GG(A)	220 V/230 V ★	B-200				



Standard gear head		High torque gear head	Right-angle gear head	Gear head -Inch (U.S.A.)	Decimal gear head
Ball bearing	metal bearing				
MX6G□BA MX6G□B	MX6G□MA MX6G□M	—	—	MX6G□BU	MX6G10XB
MX7G□BA MX7G□B	MX7G□MA MX7G□M	—	—	MX7G□BU	MX7G10XB
MX8G□B	MX8G□M	—	—	MX8G□BU	MX8G10XB
MX9G□B	MX9G□M	—	MX9G□R	MX9G□BU	MX9G10XB
MZ9G□B	—	MR9G□B	MZ9G□R	MZ9G□BU	MZ9G10XB
MY9G□B	—	MP9G□B			

* The models with a motor model number to which "A" is suffixed are not equipped with a capacitor cap.
The models with a motor model number to which "A" is suffixed are not sold or available in Japan.

* Refer to page B-444 for dimensions and permissible torque of high torque gear head.
Refer to page B-446 for dimensions and permissible torque of right-angle gear head.
Refer to page B-451 for dimensions and permissible torque of gear head -Inch (U.S.A.).
Refer to page B-448 for dimensions of decimal gear head.

Model list of electromagnetic brake motor

Round shaft motor

 Motor compliant with overseas standards
 Electrical Appliance and Material Safety Law

Size	Output (W)	single-phase motor, leadwire type		3-phase motor, leadwire type		
		Model number	Specifications	Model number	Specifications	
60 mm sq. (2.36 inch sq.)	4					
	6	M6RX6SB4LS	100 V			
		M6RX6SB4YS	200 V			
		M6RX6SB4LG(A)	100 V	★		
		M6RX6SB4DG(A)	110 V/115 V	★		
		M6RX6SB4YG(A)	200 V	★		
M6RX6SB4GG(A)	220 V/230 V	★				
70 mm sq. (2.76 inch sq.)	10					
	15	M7RX15SB4LS	100 V			
		M7RX15SB4YS	200 V			
		M7RX15SB4LG(A)	100 V	★		
		M7RX15SB4DG(A)	110 V/115 V	★		
		M7RX15SB4YG(A)	200 V	★		
M7RX15SB4GG(A)	220 V/230 V	★				
80 mm sq. (3.15 inch sq.)	20					
	25	M8RX25SB4LS	100 V			
		M8RX25SB4YS	200 V		M8MX25SB4YS	200 V
		M8RX25SB4LG(A)	100 V	★		
		M8RX25SB4DG(A)	110 V/115 V	★		
		M8RX25SB4YG(A)	200 V	★	M8MX25SB4YG(A)	200 V/220 V/230 V
M8RX25SB4GG(A)	220 V/230 V	★				
90 mm sq. (3.54 inch sq.)	40	M9RX40SB4LS	100 V			
		M9RX40SB4YS	200 V		M9MX40SB4YS	200 V
		M9RX40SB4LG(A)	100 V	★		
		M9RX40SB4DG(A)	110 V/115 V	★		
		M9RX40SB4YG(A)	200 V	★	M9MX40SB4YG(A)	200 V/220 V/230 V
		M9RX40SB4GG(A)	220 V/230 V	★		
	60	M9RZ60SB4LS	100 V			
		M9RZ60SB4YS	200 V		M9MZ60SB4YS	200 V
		M9RZ60SB4LG(A)	100 V	★		
		M9RZ60SB4DG(A)	110 V/115 V	★		
		M9RZ60SB4YG(A)	200 V	★	M9MZ60SB4YG(A)	200 V/220 V/230 V
		M9RZ60SB4GG(A)	220 V/230 V	★		
	90	M9RZ90SB4LS	100 V			
		M9RZ90SB4YS	200 V		M9MZ90SB4YS	200 V
		M9RZ90SB4LG(A)	100 V	★		
		M9RZ90SB4DG(A)	110 V/115 V	★		
		M9RZ90SB4YG(A)	200 V	★	M9MZ90SB4YG(A)	200 V/220 V/230 V
		M9RZ90SB4GG(A)	220 V/230 V	★		

* The specifications and wire connections of the round shaft motor are the same as those of the pinion shaft motor. Dimensional outline drawing → Page B-220.

* The models with a motor model number to which "A" is suffixed are not equipped with a capacitor cap. The models with a motor model number to which "A" is suffixed are not sold or available in Japan.

Electromagnetic brake single-phase motor (leadwire)

60 mm (2.36 inch) sq. 6 W

Specifications

Size	Motor model No.	Number of pole (P)	Output (W)	Voltage (V)	Frequency (Hz)	Rating (min)	Rating				Starting current (A)	Starting torque N·m (oz-in)	Brake Input (W)	Brake Current (A)	Brake Friction Torque N·m (oz-in)	Capacitor (μF) (rated voltage)
							Input (W)	Current (A)	Speed (r/min)	Torque N·m (oz-in)						
60 mm sq.	M6RX6GB4L	4	6	100	50	30	22	0.22	1300	0.044 (6.23)	0.32	0.056 (7.93)	4	0.04	0.049 (6.94)	3.5 (200 V)
							22	0.22	1600	0.035 (4.96)	0.32	0.056 (7.93)	4	0.04	0.049 (6.94)	
	M6RX6GB4Y	4	6	200	50	30	25	0.13	1300	0.044 (6.23)	0.17	0.056 (7.93)	4	0.02	0.049 (6.94)	0.9 (400 V)
							25	0.13	1600	0.035 (4.96)	0.18	0.056 (7.93)	4	0.02	0.049 (6.94)	

* The specifications and wire connections of the round shaft motor are the same as those of the pinion shaft type. For the dimensional outline drawing, refer to page B-220.

Permissible torque at output shaft of gear head

* The speed shown below is a calculated value based on the synchronous rotational speed. Depending on the load, the speed is less than the indicated value by 2% to 20%.

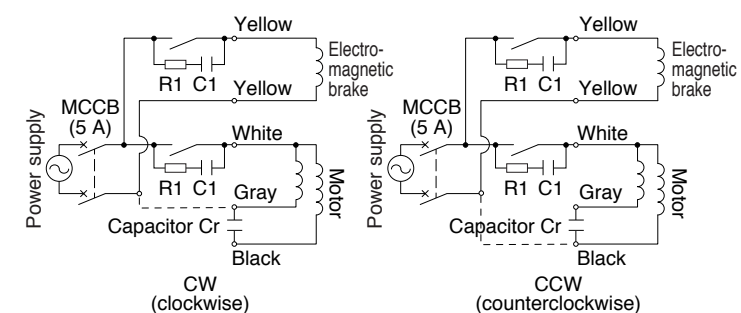
Unit of permissible torque: upper (N·m) / lower (lb-in)

Reduction ratio	Unit of permissible torque: upper (N·m) / lower (lb-in)																							
	3	3.6	5	6	7.5	9	10	12.5	15	18	20	25	30	36	50	60	75	90	100	120	150	180		
Speed (r/min)	50 Hz	500	416.7	300	250	200	166.7	150	120	100	83.3	75	60	50	41.7	30	25	20	16.7	15	12.5	10	8.3	
	60 Hz	600	500	360	300	240	200	180	144	120	100	90	72	60	50	36	30	24	20	18	15	12	10	
Applicable gear head	MX6G3BA to MX6G180B (ball bearing)	50 Hz	0.098 (0.87)	0.12 (1.06)	0.16 (1.42)	0.19 (1.68)	0.25 (2.21)	0.29 (2.57)	0.33 (2.92)	0.40 (3.54)	0.49 (4.34)	0.59 (5.22)	0.66 (5.84)	0.79 (6.99)	0.95 (8.41)	1.18 (10.4)	1.57 (13.9)	1.86 (16.5)	2.25 (19.9)	2.45 (21.7)				2.45 (21.7)
		60 Hz	0.081 (0.72)	0.098 (0.87)	0.13 (1.15)	0.16 (1.42)	0.21 (1.86)	0.25 (2.21)	0.26 (2.30)	0.33 (2.92)	0.40 (3.54)	0.49 (4.34)	0.53 (4.69)	0.66 (5.84)	0.79 (6.99)	0.95 (8.41)	1.27 (11.2)	1.57 (13.9)	1.86 (16.5)	2.25 (19.9)				2.45 (21.7)
	MX6G3MA to MX6G180M (metal bearing)	50 Hz	0.098 (0.87)	0.12 (1.06)	0.16 (1.42)	0.19 (1.68)	0.25 (2.21)	0.29 (2.57)	0.33 (2.92)	0.40 (3.54)	0.49 (4.34)	0.59 (5.22)	0.66 (5.84)	0.79 (6.99)	0.95 (8.41)	1.18 (10.4)	1.57 (13.9)	1.86 (16.5)	2.25 (19.9)				2.45 (21.7)	
	MX6G3MA to MX6G180M (metal bearing)	60 Hz	0.081 (0.72)	0.098 (0.87)	0.13 (1.15)	0.16 (1.42)	0.21 (1.86)	0.25 (2.21)	0.26 (2.30)	0.33 (2.92)	0.40 (3.54)	0.49 (4.34)	0.53 (4.69)	0.66 (5.84)	0.79 (6.99)	0.95 (8.41)	1.27 (11.2)	1.57 (13.9)	1.86 (16.5)	2.25 (19.9)				2.45 (21.7)
Rotational direction	Same as motor rotational direction											Reverse to motor rotational direction												

Permissible torque at output shaft of gear head using decimal gear head

Applicable gear head		Reduction ratio	Reduction ratio													
Bearing	Decimal gear head		Speed (r/min)	200	250	300	360	500	600	750	900	1000	1200	1500	1800	
MX6G□BA (ball bearing)	MX6G□B (ball bearing)	MX6G10XB	50 Hz	7.5	6	5	4.2	3	2.5	2	1.7	1.5	1.3	1	0.8	
			60 Hz	9	7.2	6	5	3.6	3	2.4	2	1.8	1.5	1.2	1	
MX6G□MA (metal bearing)	MX6G□M (metal bearing)	Permissible torque	N·m (lb-in)	2.45 (21.7)	2.45 (21.7)	2.45 (21.7)	2.45 (21.7)	2.45 (21.7)	2.45 (21.7)	2.45 (21.7)	2.45 (21.7)	2.45 (21.7)	2.45 (21.7)	2.45 (21.7)	2.45 (21.7)	
Rotational direction			Same as motor rotational direction / Reverse to motor rotational direction													

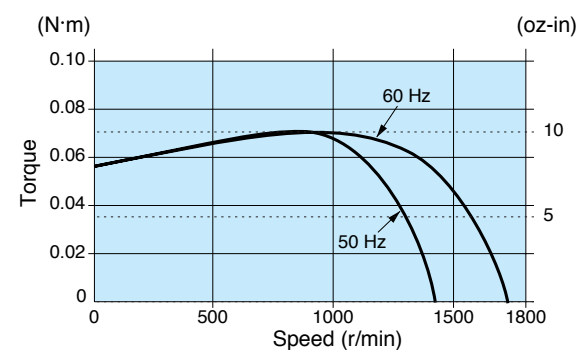
Connection diagram



- <Note>
- Brake will be activated and held when electromagnetic brake power is turned OFF.
 - Protect the contacts by inserting the spark-killer circuit (R1+C1) between the contacts. R1+C1 is provided as an option (DV0P008A, refer to page D-3).
 - Use a circuit breaker for the power supply.

Speed-torque characteristics

M6RX6GB4L

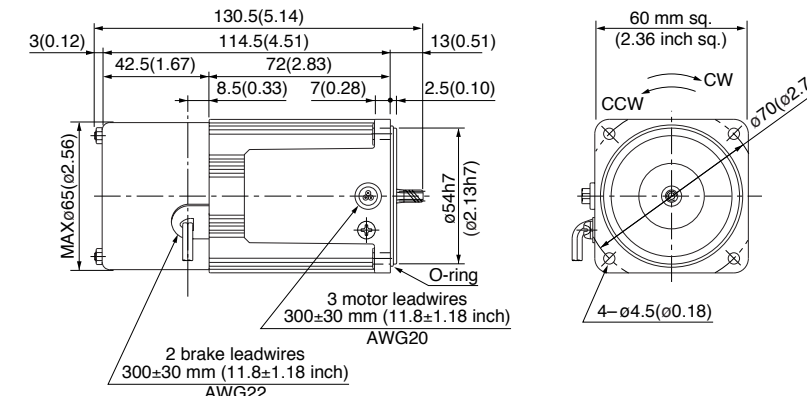


Motor (dimensions)

Scale: 1/3, Unit: mm (inch)

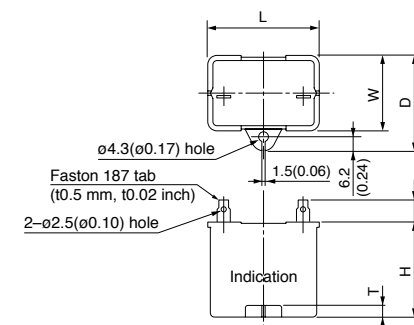
M6RX6GB4L 4P 6 W 100 V
M6RX6GB4Y 4P 6 W 200 V

Mass 1.0 kg 2.20 lb
Helical gear
Module 0.5
Number of teeth 6



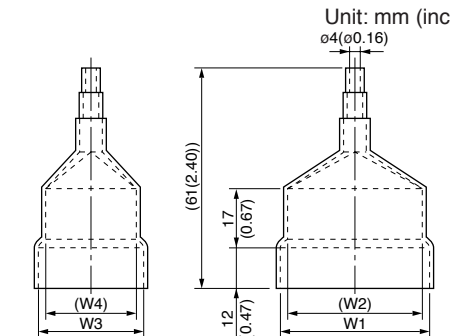
Capacitor (dimensions) [attachment]

Unit: mm (inch)



Capacitor cap (dimensions) [option]

Unit: mm (inch)



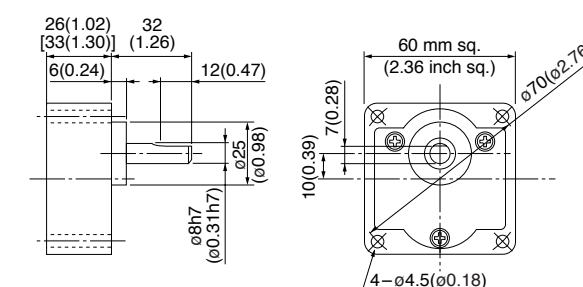
Capacitor dimension list Unit: upper (mm) / lower (inch)

Model number of motor	Model number of capacitor (attachment)	L	W	D	H	T	Capacitor cap (option)	W1	W2	W3	W4
M6RX6GB4L	M0PC3.5M20	39.5 (1.56)	16 (0.63)	26.5 (1.04)	30.5 (1.20)	4 (0.16)	M0PC3917	39.5 (1.56)	37.5 (1.48)	17 (0.67)	15 (0.59)
M6RX6GB4Y	M0PC0.9M40	39.5 (1.56)	16.2 (0.64)	27 (1.06)	27 (1.06)	4 (0.16)	M0PC3917	39.5 (1.56)	37.5 (1.48)	17 (0.67)	15 (0.59)

Gear head (dimensions)

Scale: 1/3, Unit: mm (inch)

MX6G□BA (ball bearing) Mass 0.24 kg (0.53 lb): Output shaft D cut
MX6G□MA (metal bearing) Mass 0.24 kg (0.53 lb): Output shaft D cut
MX6G□B (ball bearing) Mass 0.3 kg (0.66 lb): Output shaft D cut
MX6G□M (metal bearing) Mass 0.3 kg (0.66 lb): Output shaft D cut



* Figures in [] represent the dimensions of MX6G□B (M) (1/30 or larger reduction ratio).

(The model number of the gear head with a reduction ratio of 1/25 or smaller is MX6G□BA (MA).)

(Note) Because the dimensions may be subject to change, also check the determinate dimensions if the gear head is to be used for design.

Electromagnetic brake single-phase motor (leadwire)

60 mm (2.36 inch) sq. 6 W

Specifications

Size	Motor model No.	Number of pole (P)	Output (W)	Voltage (V)	Frequency (Hz)	Rating (min)	Rating				Starting current (A)	Starting torque N-m (oz-in)	Brake Input (W)	Brake Current (A)	Brake Friction Torque N-m (oz-in)	Capacitor (μF) (rated voltage)
							Input (W)	Current (A)	Speed (r/min)	Torque N-m (oz-in)						
60 mm sq.	M6RX6GB4LG M6RX6GB4LGA	4	6	100	50	30	24	0.24	1300	0.044 (6.23)	0.34	0.063 (8.92)	4	0.04	0.049 (6.94)	4
							26	0.26	1625	0.035 (4.96)	0.35	0.063 (8.92)	4	0.04	0.049 (6.94)	(250 V)
	M6RX6GB4DG M6RX6GB4DGA	4	6	110	60	30	24	0.22	1625	0.035 (4.96)	0.34	0.057 (8.07)	4	0.05	0.049 (6.94)	3
							26	0.23	1625	0.035 (4.96)	0.36	0.063 (8.92)	5	0.05	0.049 (6.94)	(250 V)
	M6RX6GB4YG M6RX6GB4YGA	4	6	200	50	30	24	0.12	1275	0.045 (6.37)	0.15	0.063 (8.92)	4	0.02	0.049 (6.94)	1
							28	0.14	1550	0.037 (5.24)	0.16	0.063 (8.92)	4	0.02	0.049 (6.94)	(450 V)
	M6RX6GB4GG M6RX6GB4GGA	4	6	220	50	30	24	0.11	1275	0.045 (6.37)	0.15	0.063 (8.92)	4	0.02	0.049 (6.94)	0.8
							26	0.12	1600	0.036 (5.10)	0.16	0.063 (8.92)	4	0.02	0.049 (6.94)	
					60	30	26	0.12	1300	0.044 (6.23)	0.16	0.069 (9.77)	5	0.02	0.049 (6.94)	0.8
							28	0.12	1625	0.035 (4.96)	0.16	0.069 (9.77)	5	0.02	0.049 (6.94)	

The specifications and wire connections of the round shaft motor are the same as those of the pinion shaft type. For the dimensional outline drawing, refer to page B-220.

The models with a motor model number to which "A" is suffixed are not equipped with a capacitor cap. The models with a motor model number to which "A" is suffixed are not sold or available in Japan.

Permissible torque at output shaft of gear head

* The speed shown below is a calculated value based on the synchronous rotational speed. Depending on the load, the speed is less than the indicated value by 2% to 20%.

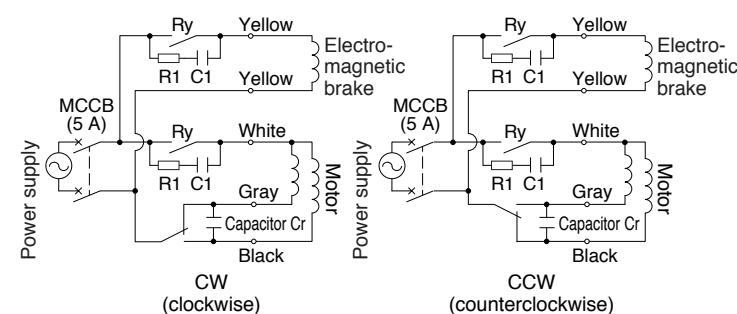
Unit of permissible torque: upper (N·m) / lower (lb·in)

Reduction ratio	Unit of permissible torque: upper (N·m) / lower (lb·in)																						
	3	3.6	5	6	7.5	9	10	12.5	15	18	20	25	30	36	50	60	75	90	100	120	150	180	
Speed (r/min)	50 Hz	500	416.7	300	250	200	166.7	150	120	100	83.3	75	60	50	41.7	30	25	20	16.7	15	12.5	10	8.3
	60 Hz	600	500	360	300	240	200	180	144	120	100	90	72	60	50	36	30	24	20	18	15	12	10
Applicable gear head	50 Hz	0.098 (0.87)	0.12 (1.06)	0.16 (1.42)	0.19 (1.68)	0.25 (2.21)	0.29 (2.57)	0.33 (2.92)	0.40 (3.54)	0.49 (4.34)	0.59 (5.22)	0.66 (5.84)	0.79 (6.99)	0.95 (8.41)	1.18 (10.4)	1.57 (13.9)	1.86 (16.5)	2.25 (19.9)	2.45 (21.7)				
	60 Hz	0.081 (0.72)	0.098 (0.87)	0.13 (1.15)	0.16 (1.42)	0.21 (1.86)	0.25 (2.21)	0.26 (2.30)	0.33 (2.92)	0.40 (3.54)	0.49 (4.34)	0.53 (4.69)	0.66 (5.84)	0.79 (6.99)	0.95 (8.41)	1.27 (11.2)	1.57 (13.9)	1.86 (16.5)	2.25 (19.9)				
Rotational direction	Same as motor rotational direction											Reverse to motor rotational direction											

Permissible torque at output shaft of gear head using decimal gear head

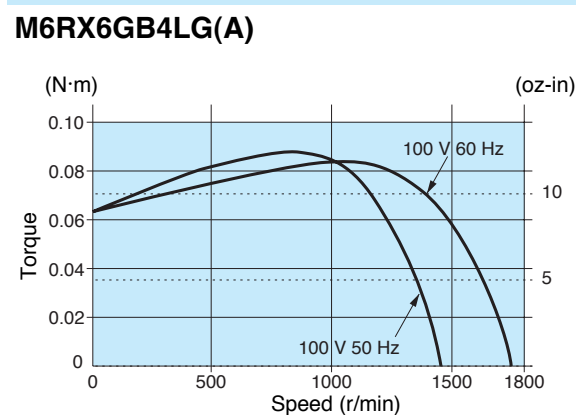
Applicable gear head	Reduction ratio	Permissible torque															
		200	250	300	360	500	600	750	900	1000	1200	1500	1800				
Bearing	Speed (r/min)	50 Hz	7.5	6	5	4.2	3	2.5	2	1.7	1.5	1.3	1	0.8			
		60 Hz	9	7.2	6	5	3.6	3	2.4	2	1.8	1.5	1.2	1			
MX6G□BA (ball bearing) MX6G□B (bearing) MX6G□MA (metal bearing) MX6G□M (bearing)	MX6G10XB	Permissible torque	N·m (lb-in)	2.45 (21.7)	2.45 (21.7)	2.45 (21.7)	2.45 (21.7)	2.45 (21.7)	2.45 (21.7)	2.45 (21.7)	2.45 (21.7)	2.45 (21.7)	2.45 (21.7)	2.45 (21.7)			
		Rotational direction	Same as motor rotational direction	Reverse to motor rotational direction													

Connection diagram



<Note>
 1. Brake will be activated and held when electromagnetic brake power is turned OFF.
 2. Protect the contacts by inserting the spark-killer circuit (R1+C1) between the contacts. R1+C1 is provided as an option (DV0P008A, refer to page D-3).
 3. Use a circuit breaker for the power supply.

Speed-torque characteristics

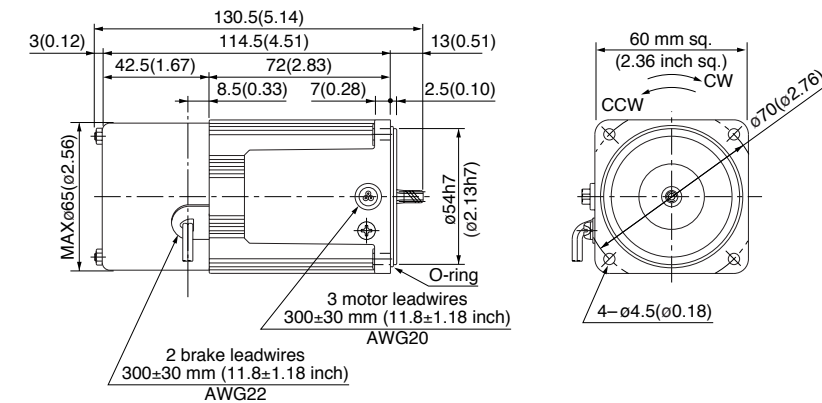


Motor (dimensions)

Scale: 1/3, Unit: mm (inch)

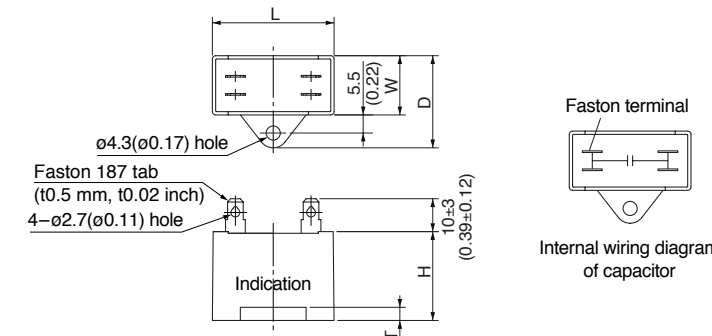
M6RX6GB4LG(A)	4P 6 W 100 V
M6RX6GB4DG(A)	4P 6 W 110 V / 115 V
M6RX6GB4YG(A)	4P 6 W 200 V
M6RX6GB4GG(A)	4P 6 W 220 V / 230 V

Mass 1.0 kg 2.20 lb
 Helical gear
 Module 0.5
 Number of teeth 6



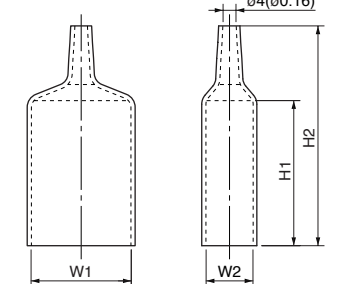
Capacitor (dimensions) [attachment]

Unit: mm (inch)



Capacitor cap (dimensions) [attachment]

Unit: mm (inch)



Capacitor dimension list Unit: upper (mm) / lower (inch)

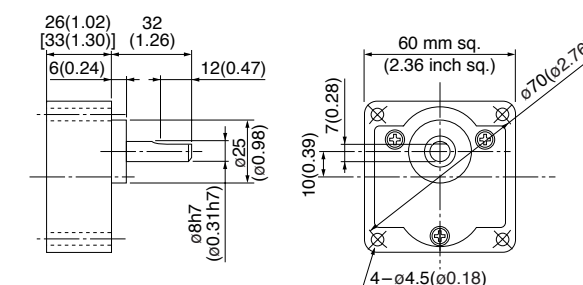
Model number of motor	Model number of capacitor (attachment)	L	W	D	H	T	Capacitor cap (attachment)	W1	W2	H1	H2
M6RX6GB4LG(A)	M0PC4M25G	37 (1.46)	18 (0.71)	28 (1.10)	27 (1.06)	4 (0.16)	M0PC3718G	37 (1.46)	18 (0.71)	50 (1.97)	73 (2.87)
M6RX6GB4DG(A)	M0PC3M25G	31 (1.22)	17 (0.67)	27 (1.06)	27 (1.06)	4 (0.16)	M0PC3117G	31 (1.22)	17 (0.67)	50 (1.97)	73 (2.87)
M6RX6GB4YG(A)	M0PC1M45G	37 (1.46)	18 (0.71)	28 (1.10)	27 (1.06)	4 (0.16)	M0PC3718G	37 (1.46)	18 (0.71)	50 (1.97)	73 (2.87)
M6RX6GB4GG(A)	M0PC0.8M45G	31 (1.22)	17 (0.67)	27 (1.06)	27 (1.06)	4 (0.16)	M0PC3117G	31 (1.22)	17 (0.67)	50 (1.97)	73 (2.87)

* The models with a motor model number to which "A" is suffixed are not equipped with a capacitor cap.

Gear head (dimensions)

Scale: 1/3, Unit: mm (inch)

MX6G□BA (ball bearing)	Mass 0.24 kg (0.53 lb): Output shaft D cut	MX6G□B (ball bearing)	Mass 0.3 kg (0.66 lb): Output shaft D cut
MX6G□MA (metal bearing)	Mass 0.24 kg (0.53 lb): Output shaft D cut	MX6G□M (metal bearing)	Mass 0.3 kg (0.66 lb): Output shaft D cut



* Figures in [] represent the dimensions of MX6G□B (M) (1/30 or larger reduction ratio).

(The model number of the gear head with a reduction ratio of 1/25 or smaller is MX6G□BA (MA).)

(Note) Because the dimensions may be subject to change, also check the determinate dimensions if the gear head is to be used for design.

Electromagnetic brake single-phase motor (leadwire)

70 mm (2.76 inch) sq. 15 W

Specifications

Size	Motor model No.	Number of pole (P)	Output (W)	Voltage (V)	Frequency (Hz)	Rating (min)	Rating				Starting current (A)	Starting torque N·m (oz-in)	Brake Input (W)	Brake Current (A)	Brake Friction Torque N·m (oz-in)	Capacitor (μF) (rated voltage)
							Input (W)	Current (A)	Speed (r/min)	Torque N·m (oz-in)						
70 mm sq.	M7RX15GB4L	4	15	100	50	30	36	0.36	1300	0.110 (15.6)	0.59	0.10 (14.2)	4	0.05	0.078 (11.0)	6 (200 V)
							38	0.38	1600	0.088 (12.5)	0.57	0.10 (14.2)	4	0.05	0.078 (11.0)	
	M7RX15GB4Y	4	15	200	50	30	38	0.18	1300	0.110 (15.6)	0.28	0.10 (14.2)	4	0.02	0.078 (11.0)	1.5 (400 V)
							39	0.19	1600	0.088 (12.5)	0.28	0.10 (14.2)	4	0.02	0.078 (11.0)	

* The specifications and wire connections of the round shaft motor are the same as those of the pinion shaft type. For the dimensional outline drawing, refer to page B-220.

Permissible torque at output shaft of gear head

* The speed shown below is a calculated value based on the synchronous rotational speed. Depending on the load, the speed is less than the indicated value by 2% to 20%.

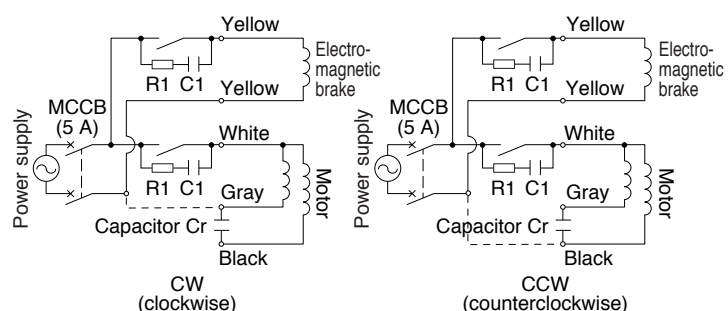
Unit of permissible torque: upper (N·m) / lower (lb-in)

Reduction ratio	Unit of permissible torque: upper (N·m) / lower (lb-in)																						
	3	3.6	5	6	7.5	9	10	12.5	15	18	20	25	30	36	50	60	75	90	100	120	150	180	
Speed (r/min)	50 Hz	500	416.7	300	250	200	166.7	150	120	100	83.3	75	60	50	41.7	30	25	20	16.7	15	12.5	10	8.3
	60 Hz	600	500	360	300	240	200	180	144	120	100	90	72	60	50	36	30	24	20	18	15	12	10
Applicable gear head	MX7G3BA to MX7G180B (ball bearing)	50 Hz	0.24 (2.12)	0.28 (2.48)	0.39 (3.45)	0.47 (4.16)	0.59 (5.22)	0.71 (6.28)	0.80 (7.08)	0.98 (8.67)	1.18 (10.4)	1.37 (12.1)	1.57 (13.9)	1.86 (16.5)	2.25 (19.9)	2.74 (24.3)	3.82 (33.8)	4.61 (40.8)	4.90 (43.4)				
	MX7G3MA to MX7G180M (metal bearing)	60 Hz	0.20 (1.77)	0.24 (2.12)	0.32 (2.83)	0.39 (3.45)	0.49 (4.34)	0.59 (5.22)	0.66 (5.84)	0.81 (7.17)	0.98 (8.67)	1.18 (10.4)	1.27 (11.2)	1.57 (13.9)	1.86 (16.5)	2.25 (19.9)	3.23 (28.6)	3.82 (33.8)	4.80 (42.5)	4.90 (43.4)			
Rotational direction	Same as motor rotational direction											Reverse to motor rotational direction											

Permissible torque at output shaft of gear head using decimal gear head

Applicable gear head		Reduction ratio	Reduction ratio													
Bearing	Decimal gear head		Speed (r/min)	50 Hz	7.5	6	5	4.2	3	2.5	2	1.7	1.5	1.3	1	0.8
MX7G□BA (ball bearing) MX7G□B (ball bearing) MX7G□MA (metal bearing) MX7G□M (metal bearing)	MX7G10XB	Permissible torque	N·m (lb-in)	4.90 (43.4)	4.90 (43.4)	4.90 (43.4)	4.90 (43.4)	4.90 (43.4)	4.90 (43.4)	4.90 (43.4)	4.90 (43.4)	4.90 (43.4)	4.90 (43.4)	4.90 (43.4)	4.90 (43.4)	4.90 (43.4)
				Rotational direction	Same as motor rotational direction			Reverse to motor rotational direction								

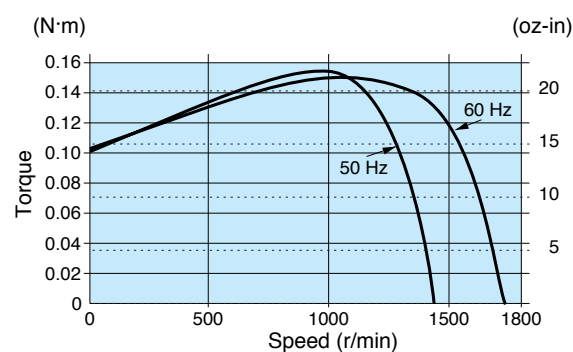
Connection diagram



<Note>
 1. Brake will be activated and held when electromagnetic brake power is turned OFF.
 2. Protect the contacts by inserting the spark-killer circuit (R1+C1) between the contacts. R1+C1 is provided as an option (DV0P008A, refer to page D-3).
 3. Use a circuit breaker for the power supply.

Speed-torque characteristics

M7RX15GB4L

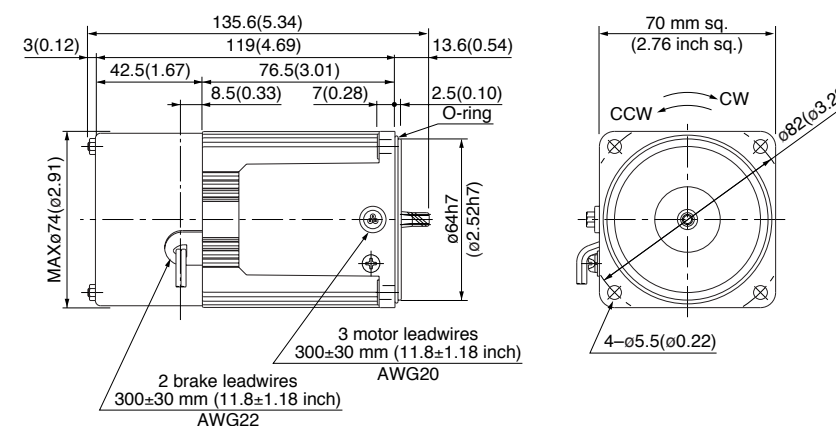


Motor (dimensions)

Scale: 1/3, Unit: mm (inch)

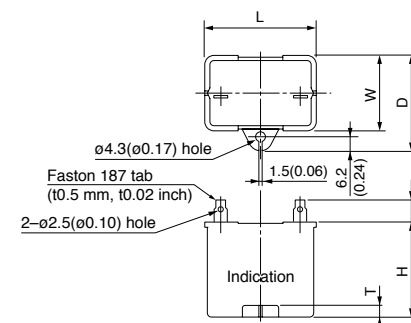
M7RX15GB4L 4P 15 W 100 V
 M7RX15GB4Y 4P 15 W 200 V

Mass 1.5 kg 3.31 lb
 Helical gear
 Module 0.5
 Number of teeth 7



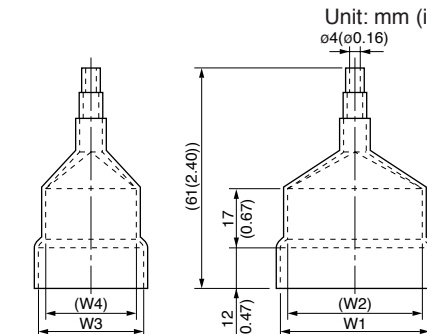
Capacitor (dimensions) [attachment]

Unit: mm (inch)



Capacitor cap (dimensions) [option]

Unit: mm (inch)



Capacitor dimension list Unit: upper (mm) / lower (inch)

Model number of motor	Model number of capacitor (attachment)	L	W	D	H	T	Capacitor cap (option)	W1	W2	W3	W4
M7RX15GB4L	M0PC6M20	39.5 (1.56)	17.5 (0.69)	28 (1.10)	30.5 (1.20)	4 (0.16)	M0PC3917	39.5 (1.56)	37.5 (1.48)	17 (0.67)	15 (0.59)
M7RX15GB4Y	M0PC1.5M40	39.5 (1.56)	22 (0.87)	32.5 (1.28)	32.5 (1.28)	4 (0.16)	M0PC3922	39.5 (1.56)	37.5 (1.48)	22 (0.87)	20 (0.79)

Gear head (dimensions)

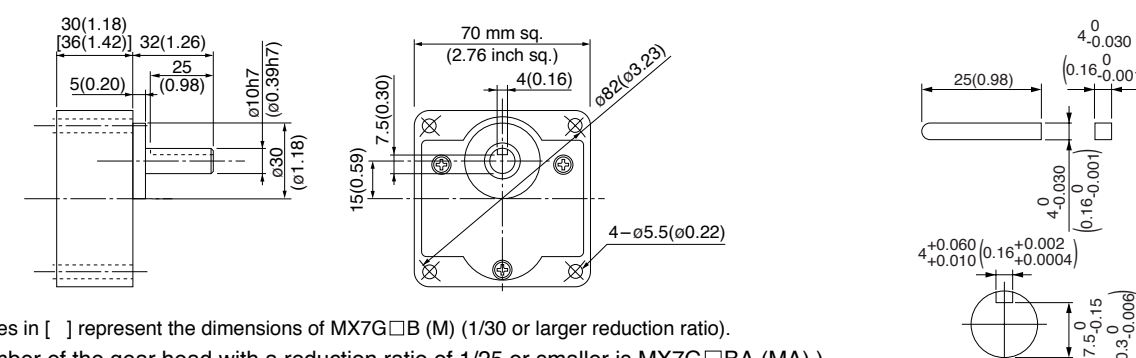
Scale: 1/3, Unit: mm (inch)

MX7G□BA (ball bearing) Mass 0.38 kg (0.84 lb)
 MX7G□MA (metal bearing) Mass 0.38 kg (0.84 lb)

MX7G□B (ball bearing) Mass 0.45 kg (0.99 lb)
 MX7G□M (metal bearing) Mass 0.45 kg (0.99 lb)

Key and keyway (dimensions) [attachment]

MX7G□BA(B)
 MX7G□MA(M)



* Figures in [] represent the dimensions of MX7G□B (M) (1/30 or larger reduction ratio).

(The model number of the gear head with a reduction ratio of 1/25 or smaller is MX7G□BA (MA).)

(Note) Because the dimensions may be subject to change, also check the determinate dimensions if the gear head is to be used for design.

Electromagnetic brake single-phase motor (leadwire)

80 mm (3.15 inch) sq. 25 W

Specifications

Size	Motor model No.	Number of pole (P)	Output (W)	Voltage (V)	Frequency (Hz)	Rating (min)	Rating				Starting current (A)	Starting torque N·m (oz·in)	Brake Input (W)	Brake Current (A)	Brake Friction Torque N·m (oz·in)	Capacitor (μF) (rated voltage)
							Input (W)	Current (A)	Speed (r/min)	Torque N·m (oz·in)						
80 mm sq.	M8RX25GB4L	4	25	100	50	30	56	0.57	1300	0.19 (26.9)	1.0	0.20 (28.3)	6	0.07	0.10 (14.2)	9.5 (200 V)
							56	0.56	1600	0.16 (22.7)	1.0	0.20 (28.3)	6	0.07	0.10 (14.2)	
	M8RX25GB4Y	4	25	200	50	30	56	0.29	1300	0.19 (26.9)	0.52	0.20 (28.3)	6	0.03	0.10 (14.2)	2.4 (400 V)
							56	0.28	1600	0.16 (22.7)	0.51	0.20 (28.3)	6	0.03	0.10 (14.2)	

* The specifications and wire connections of the round shaft motor are the same as those of the pinion shaft type. For the dimensional outline drawing, refer to page B-220.

Permissible torque at output shaft of gear head

* The speed shown below is a calculated value based on the synchronous rotational speed. Depending on the load, the speed is less than the indicated value by 2% to 20%.

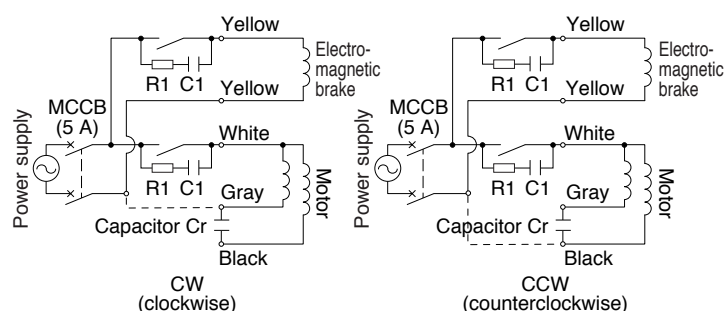
Unit of permissible torque: upper (N·m) / lower (lb·in)

Reduction ratio	Speed (r/min)																							
	50 Hz	60 Hz	3	3.6	5	6	7.5	9	10	12.5	15	18	20	25	30	36	50	60	75	90	100	120	150	180
Applicable gear head	Same as motor rotational direction																							
Rotational direction	Same as motor rotational direction												Reverse to motor rotational direction											

Permissible torque at output shaft of gear head using decimal gear head

Applicable gear head	Reduction ratio	Speed (r/min)																
		50 Hz	60 Hz	7.5	6	5	4.2	3	2.5	2	1.7	1.5	1.3	1	0.8			
Bearing	Decimal gear head	Permissible torque	N·m (lb·in)	7.84 (69.4)	7.84 (69.4)	7.84 (69.4)	7.84 (69.4)	7.84 (69.4)	7.84 (69.4)	7.84 (69.4)	7.84 (69.4)	7.84 (69.4)	7.84 (69.4)	7.84 (69.4)	7.84 (69.4)	7.84 (69.4)		
MX8G□B (ball bearing)	MX8G10XB	Rotational direction	Same as motor rotational direction														Reverse to motor rotational direction	

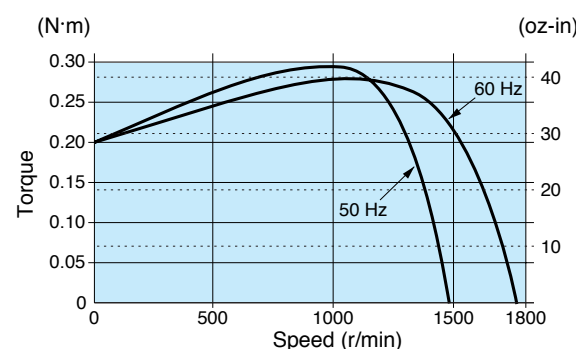
Connection diagram



<Note>
 1. Brake will be activated and held when electromagnetic brake power is turned OFF.
 2. Protect the contacts by inserting the spark-killer circuit (R1+C1) between the contacts. R1+C1 is provided as an option (DV0P008A, refer to page D-3).
 3. Use a circuit breaker for the power supply.

Speed-torque characteristics

M8RX25GB4L

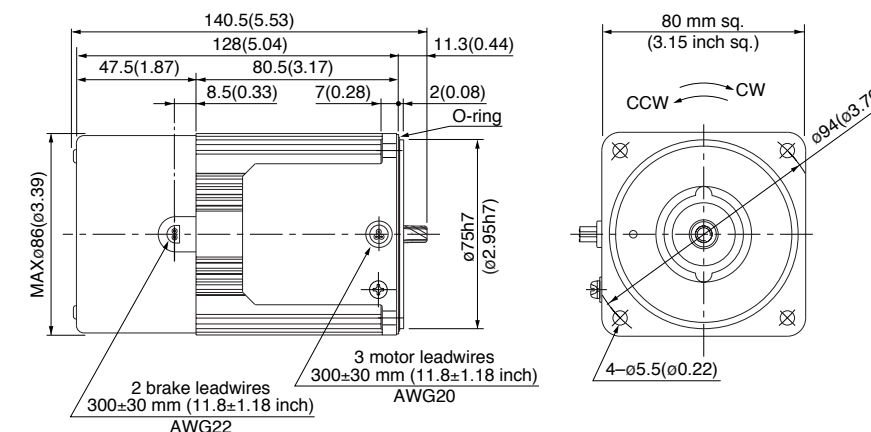


Motor (dimensions)

Scale: 1/3, Unit: mm (inch)

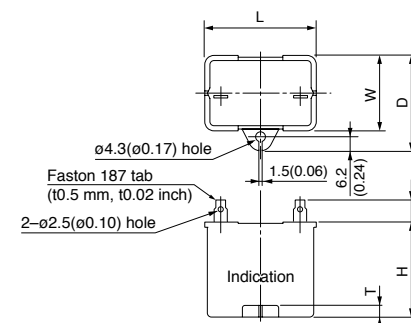
M8RX25GB4L 4P 25 W 100 V
 M8RX25GB4Y 4P 25 W 200 V

Mass 2.1 kg 4.63 lb
 Helical gear
 Module 0.5
 Number of teeth 9



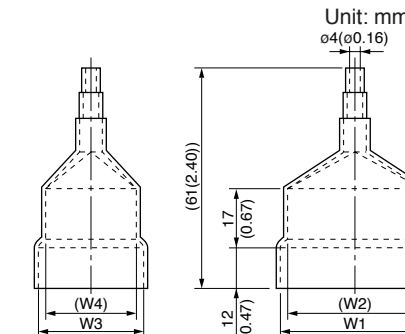
Capacitor (dimensions) [attachment]

Unit: mm (inch)



Capacitor cap (dimensions) [option]

Unit: mm (inch)



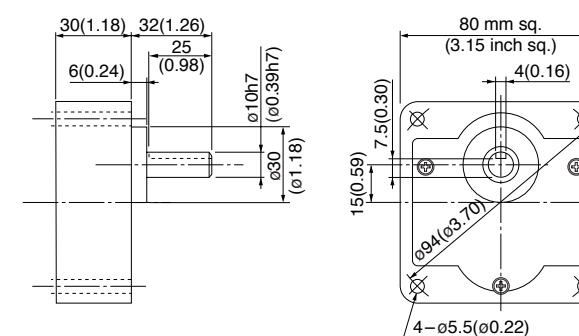
Capacitor dimension list Unit: upper (mm) / lower (inch)

Model number of motor	Model number of capacitor (attachment)	L	W	D	H	T	Capacitor cap (option)	W1	W2	W3	W4
M8RX25GB4L	M0PC9.5M20	39.5 (1.56)	22 (0.87)	32.5 (1.28)	30.5 (1.20)	4 (0.16)	M0PC3922	39.5 (1.56)	37.5 (1.48)	22 (0.87)	20 (0.79)
M8RX25GB4Y	M0PC2.4M40	49.7 (1.96)	24 (0.94)	34.5 (1.36)	34.5 (1.36)	4 (0.16)	M0PC5026	50 (1.97)	48 (1.89)	26 (1.02)	22 (0.87)

Gear head (dimensions)

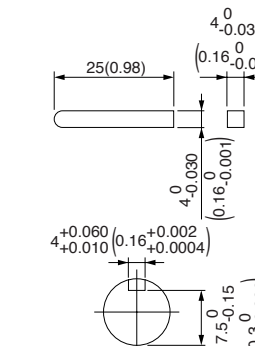
Scale: 1/3, Unit: mm (inch)

MX8G□B (ball bearing) Mass 0.6 kg (1.32 lb) MX8G□M (metal bearing) Mass 0.6 kg (1.32 lb)



Key and keyway (dimensions) [attachment]

MX8G□B(M)



* Please read your User's manual carefully so that you will understand the operation and safety precautions before attempting to operate the system.

(Note) Because the dimensions may be subject to change, also check the determinate dimensions if the gear head is to be used for design.

Electromagnetic brake single-phase motor (leadwire)

US CE 90 mm (3.54 inch) sq. 40 W

Specifications

Size	Motor model No.	Number of pole (P)	Output (W)	Voltage (V)	Frequency (Hz)	Rating (min)	Rating				Starting current (A)	Starting torque N·m (oz-in)	Brake Input (W)	Brake Current (A)	Brake Friction Torque N·m (oz-in)	Capacitor (μF) (rated voltage)
							Input (W)	Current (A)	Speed (r/min)	Torque N·m (oz-in)						
90 mm sq.	M9RX40GB4LG M9RX40GB4LGA	4	40	100	50	30	76	0.77	1325	0.29 (41.1)	1.7	0.34 (48.1)	9	0.10	0.20 (28.3)	16
							83	0.86	1625	0.24 (34.0)	1.7	0.34 (48.1)	9	0.10	0.20 (28.3)	(250 V)
	M9RX40GB4DG M9RX40GB4DGA	4	40	110	60	30	77	0.70	1650	0.23 (32.6)	1.7	0.32 (45.3)	11	0.11	0.20 (28.3)	12
							80	0.70	1650	0.23 (32.6)	1.8	0.34 (48.1)	11	0.12	0.20 (28.3)	(250 V)
	M9RX40GB4YG M9RX40GB4YGA	4	40	200	50	30	81	0.40	1275	0.30 (42.5)	0.69	0.34 (48.1)	9	0.05	0.20 (28.3)	4
							103	0.54	1575	0.24 (34.0)	0.71	0.34 (48.1)	9	0.05	0.20 (28.3)	(450 V)
	M9RX40GB4GG M9RX40GB4GGA	4	40	220	60	30	80	0.36	1325	0.29 (41.1)	0.73	0.39 (55.2)	11	0.06	0.20 (28.3)	3.5
							96	0.46	1625	0.24 (34.0)	0.73	0.39 (55.2)	11	0.06	0.20 (28.3)	(450 V)
							84	0.36	1350	0.28 (39.7)	0.76	0.43 (60.9)	12	0.06	0.20 (28.3)	
							101	0.46	1625	0.24 (34.0)	0.76	0.43 (60.9)	12	0.06	0.20 (28.3)	

• The specifications and wire connections of the round shaft motor are the same as those of the pinion shaft type. For the dimensional outline drawing, refer to page B-220.
 • The models with a motor model number to which "A" is suffixed are not equipped with a capacitor cap.
 • The models with a motor model number to which "A" is suffixed are not sold or available in Japan.

Permissible torque at output shaft of gear head

* The speed shown below is a calculated value based on the synchronous rotational speed. Depending on the load, the speed is less than the indicated value by 2% to 20%.

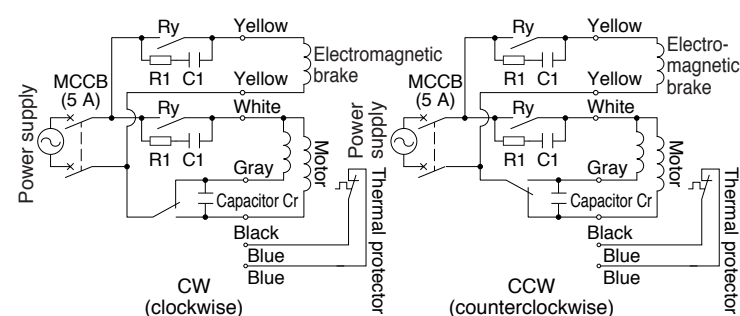
Unit of permissible torque: upper (N·m) / lower (lb-in)

Reduction ratio	Unit of permissible torque: upper (N·m) / lower (lb-in)																						
	3	3.6	5	6	7.5	9	10	12.5	15	18	20	25	30	36	50	60	75	90	100	120	150	180	
Speed (r/min)	50 Hz	500	416.7	300	250	200	166.7	150	120	100	83.3	75	60	50	41.7	30	25	20	16.7	15	12.5	10	8.3
	60 Hz	600	500	360	300	240	200	180	144	120	100	90	72	60	50	36	30	24	20	18	15	12	10
Applicable gear head	50 Hz	0.66 (5.84)	0.78 (6.90)	1.08 (9.56)	1.27 (11.2)	1.57 (13.9)	1.86 (16.5)	2.25 (19.9)	2.74 (24.3)	3.23 (28.6)	3.92 (34.7)	4.41 (39.0)	5.29 (46.8)	6.37 (56.4)	7.94 (70.3)	9.80 (86.7)							
	60 Hz	0.55 (4.87)	0.66 (5.84)	0.90 (7.97)	1.08 (9.56)	1.27 (11.2)	1.57 (13.9)	1.76 (15.6)	2.25 (19.9)	2.74 (24.3)	3.23 (28.6)	3.53 (31.2)	4.41 (39.0)	5.29 (46.8)	6.37 (56.4)	8.82 (78.1)							
Rotational direction	Same as motor rotational direction											Reverse to motor rotational direction											

Permissible torque at output shaft of gear head using decimal gear head

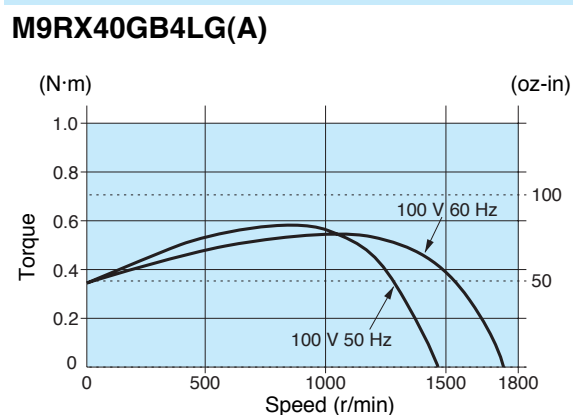
Applicable gear head	Reduction ratio	Permissible torque															
		200	250	300	360	500	600	750	900	1000	1200	1500	1800				
Bearing	Speed (r/min)	50 Hz	7.5	6	5	4.2	3	2.5	2	1.7	1.5	1.3	1	0.8			
		60 Hz	9	7.2	6	5	3.6	3	2.4	2	1.8	1.5	1.2	1			
MX9G□B (ball bearing) MX9G□M (metal bearing)	MX9G10XB	Permissible torque	N·m (lb-in)	9.80 (86.7)	9.80 (86.7)	9.80 (86.7)	9.80 (86.7)	9.80 (86.7)	9.80 (86.7)	9.80 (86.7)	9.80 (86.7)	9.80 (86.7)	9.80 (86.7)	9.80 (86.7)			
		Rotational direction	Same as motor rotational direction			Reverse to motor rotational direction											

Connection diagram



<Note>
 1. Brake will be activated and held when electromagnetic brake power is turned OFF.
 2. Protect the contacts by inserting the spark-killer circuit (R1+C1) between the contacts. R1+C1 is provided as an option (DV0P008A, refer to page D-3).
 3. Refer to page A-58 for connection of thermal protector.
 4. Use a circuit breaker for the power supply.

Speed-torque characteristics

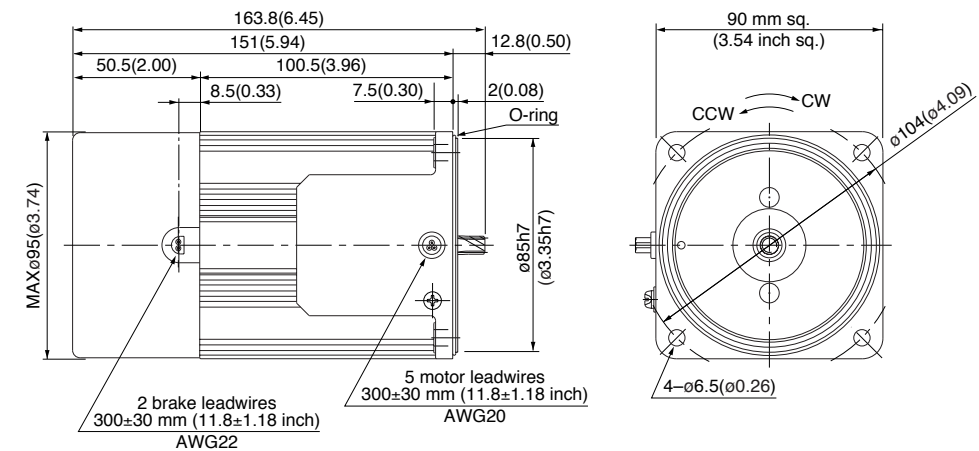


Motor (dimensions)

Scale: 1/3, Unit: mm (inch)

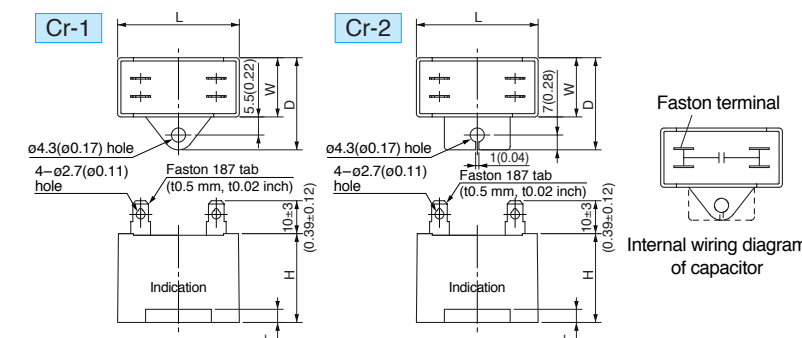
M9RX40GB4LG(A)	4P 40 W 100 V
M9RX40GB4DG(A)	4P 40 W 110 V / 115 V
M9RX40GB4YG(A)	4P 40 W 200 V
M9RX40GB4GG(A)	4P 40 W 220 V / 230 V

Mass	Helical gear	Module	Number of teeth
3.2 kg (7.05 lb)		0.55	9



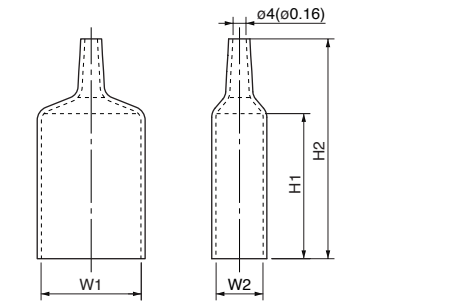
Capacitor (dimensions) [attachment]

Unit: mm (inch)



Capacitor cap (dimensions) [attachment]

Unit: mm (inch)



Capacitor dimension list

Unit: upper (mm) / lower (inch)

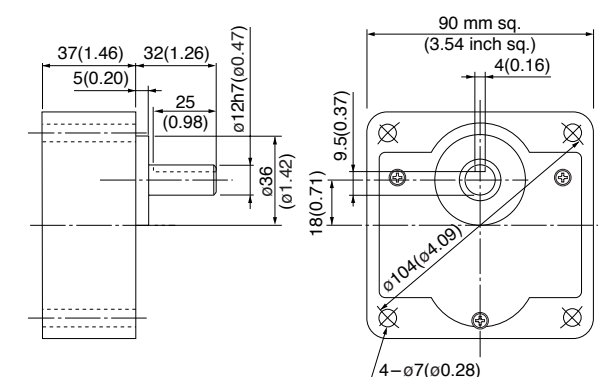
Model number of motor	Model number of capacitor (attachment)	L	W	D	H	T	dimension No.	Capacitor cap (attachment)	W1	W2	H1	H2
M9RX40GB4LG(A)	M0PC16M25G	58 (2.28)	23.5 (0.93)	38.5 (1.52)	37 (1.46)	4 (0.16)	Cr-2	M0PC5823G	58 (2.28)	23.5 (0.93)	55 (2.17)	78 (3.07)
M9RX40GB4DG(A)	M0PC12M25G	58 (2.28)	22 (0.87)	32 (1.26)	35 (1.38)	4 (0.16)	Cr-1	M0PC5822G	58 (2.28)	22 (0.87)	55 (2.17)	78 (3.07)
M9RX40GB4YG(A)	M0PC4M45G	58 (2.28)	23.5 (0.93)	38.5 (1.52)	37 (1.46)	4 (0.16)	Cr-2	M0PC5823G	58 (2.28)	23.5 (0.93)	55 (2.17)	78 (3.07)
M9RX40GB4GG(A)	M0PC3.5M45G	58 (2.28)	22 (0.87)	32 (1.26)	35 (1.38)	4 (0.16)	Cr-1	M0PC5822G	58 (2.28)	22 (0.87)	55 (2.17)	78 (3.07)

• The models with a motor model number to which "A" is suffixed are not equipped with a capacitor cap.

Gear head (dimensions)

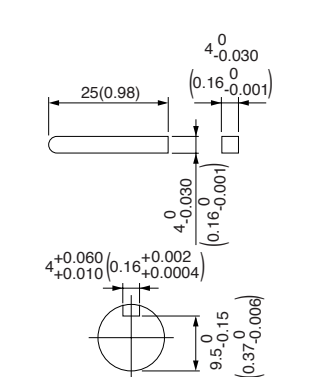
Scale: 1/3, Unit: mm (inch)

MX9G□B (ball bearing)	Mass 0.8 kg (1.76 lb)	MX9G□M (metal bearing)	Mass 0.8 kg (1.76 lb)
-----------------------	-----------------------	------------------------	-----------------------



Key and keyway (dimensions) [attachment]

MX9G□B(M)



* Please read your User's manual carefully so that you will understand the operation and safety precautions before attempting to operate the system.

(Note) Because the dimensions may be subject to change, also check the determinate dimensions if the gear head is to be used for design.

Electromagnetic brake single-phase motor (leadwire)

90 mm (3.54 inch) sq. 90 W

Specifications

Size	Motor model No.	Number of pole (P)	Output (W)	Voltage (V)	Frequency (Hz)	Rating (min)	Rating				Starting current (A)	Starting torque N·m (oz-in)	Brake Input (W)	Brake Current (A)	Brake Friction Torque N·m (oz-in)	Capacitor (μF) (rated voltage)
							Input (W)	Current (A)	Speed (r/min)	Torque N·m (oz-in)						
90 mm sq.	M9RZ90GB4L	4	90	100	50	30	171	1.7	1225	0.70 (99.1)	2.8	0.68 (96.3)	9	0.10	0.39 (55.2)	30 (200 V)
							181	1.9	1525	0.56 (79.3)	2.7	0.70 (99.1)	9	0.10	0.39 (55.2)	
	M9RZ90GB4Y	4	90	200	50	30	171	0.93	1225	0.70 (99.1)	1.4	0.68 (96.3)	9	0.05	0.39 (55.2)	7.5 (370 V)
							181	0.96	1525	0.56 (79.3)	1.4	0.70 (99.1)	9	0.05	0.39 (55.2)	

* The specifications and wire connections of the round shaft motor are the same as those of the pinion shaft type. For the dimensional outline drawing, refer to page B-220.

Permissible torque at output shaft of gear head

* The speed shown below is a calculated value based on the synchronous rotational speed. Depending on the load, the speed is less than the indicated value by 2% to 20%.

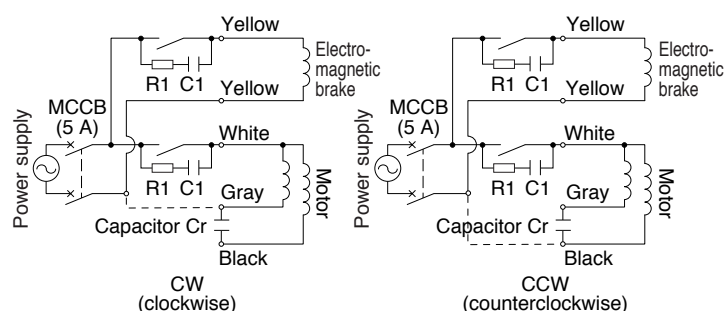
Unit of permissible torque: upper (N·m) / lower (lb-in)

Reduction ratio	Unit of permissible torque: upper (N·m) / lower (lb-in)																							
	3	3.6	5	6	7.5	9	10	12.5	15	18	20	25	30	36	50	60	75	90	100	120	150	180	200	
Speed (r/min)	50 Hz	500	416.7	300	250	200	166.7	150	120	100	83.3	75	60	50	41.7	30	25	20	16.7	15	12.5	10	8.3	7.5
Applicable gear head	50 Hz	MZ9G3B to MZ9G200B (ball bearing / hinge not attached)	1.37 (12.1)	1.67 (14.8)	2.25 (19.9)	2.74 (24.3)	3.43 (30.4)	4.12 (36.5)	4.51 (39.9)	5.68 (50.3)	6.76 (59.8)	8.04 (71.2)	9.02 (79.8)	10.9 (96.5)	13.0 (115)	15.7 (139)	19.6 (173)							
		MY9G3B to MY9G200B (ball bearing / hinge attached)	1.18 (10.4)	1.37 (12.1)	1.86 (16.5)	2.25 (19.9)	2.84 (25.1)	3.43 (30.4)	3.72 (32.9)	4.70 (41.6)	5.68 (50.3)	6.76 (59.8)	7.55 (66.8)	9.21 (81.5)	10.9 (96.5)	13.0 (115)	18.3 (162)	19.6 (173)						
Rotational direction	Same as motor rotational direction											Reverse to motor rotational direction					Same as motor rotational direction							

Permissible torque at output shaft of gear head using decimal gear head

Applicable gear head	Reduction ratio	Unit of permissible torque: upper (N·m) / lower (lb-in)												
		250	300	360	500	600	750	900	1000	1200	1500	1800		
Bearing	Decimal gear head	Speed (r/min)	50 Hz	6	5	4.2	3	2.5	2	1.7	1.5	1.3	1	0.8
MZ9G□B (ball bearing / hinge not attached) MY9G□B (ball bearing / hinge attached)	MZ9G10XB	Permissible torque	N·m (lb-in)	19.6 (173)	19.6 (173)	19.6 (173)	19.6 (173)	19.6 (173)	19.6 (173)	19.6 (173)	19.6 (173)	19.6 (173)	19.6 (173)	19.6 (173)
			Rotational direction	Reverse to motor rotational direction	Same as motor rotational direction									

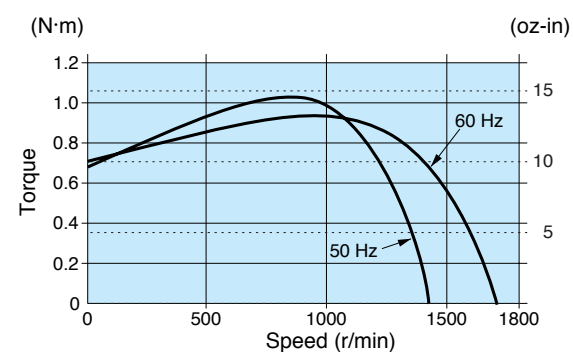
Connection diagram



<Note>
 1. Brake will be activated and held when electromagnetic brake power is turned OFF.
 2. Protect the contacts by inserting the spark-killer circuit (R1+C1) between the contacts. R1+C1 is provided as an option (DV0P008A, refer to page D-3).
 3. Use a circuit breaker for the power supply.

Speed-torque characteristics

M9RZ90GB4L

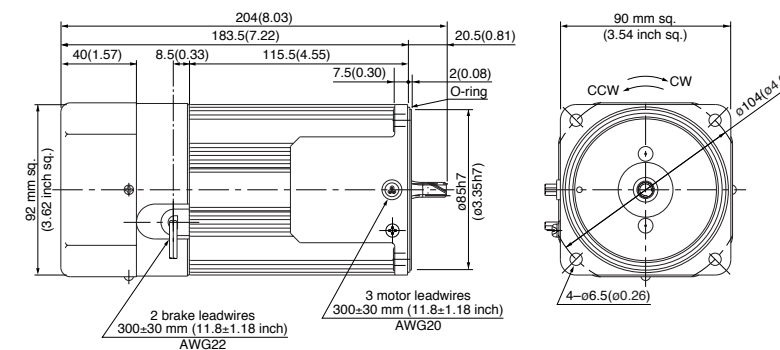


Motor (dimensions)

Scale: 1/4, Unit: mm (inch)

M9RZ90GB4L 4P 90 W 100 V (with fan)
 M9RZ90GB4Y 4P 90 W 200 V (with fan)

Mass 3.8 kg (8.38 lb)
 Helical gear
 Module 0.6
 Number of teeth 9

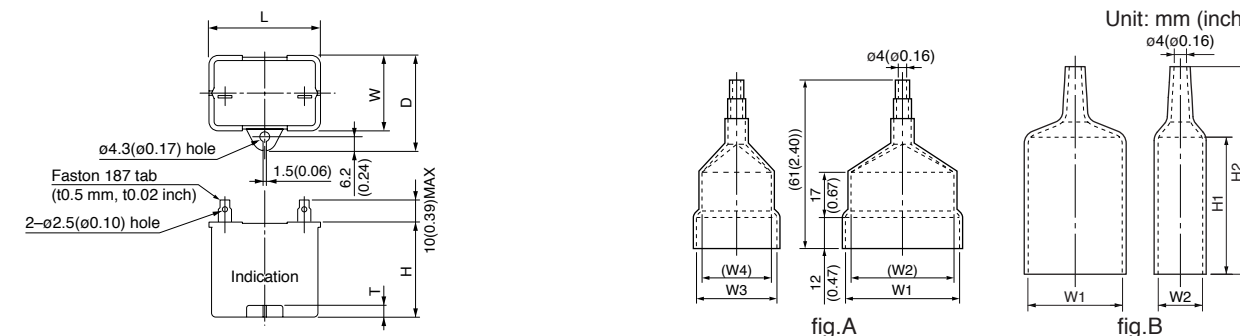


Capacitor (dimensions) [attachment]

Unit: mm (inch)

Capacitor cap (dimensions) [option]

Unit: mm (inch)



Capacitor dimension list Unit: upper (mm) / lower (inch)

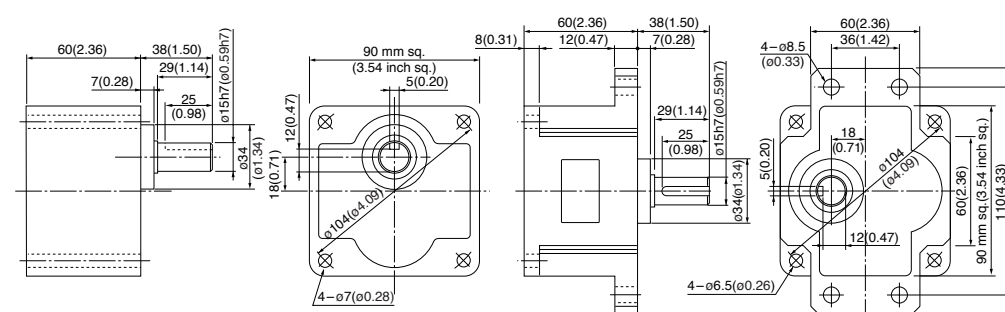
Model number of motor	Model number of capacitor (attachment)	L	W	D	H	T	Capacitor cap (option)	W1	W2	W3	W4	H1	H2	fig.
M9RZ90GB4L	M0PC30M20	50.2 (1.98)	31	41	42 (1.65)	5 (0.20)	M0PC5032	50 (1.97)	48 (1.89)	32.5 (1.28)	29.5 (1.16)	—	—	A
M9RZ90GB4Y	M0PC7.5M37	50 (1.97)	34 (1.34)	45 (1.77)	45 (1.77)	6 (0.24)	M0PC5835G	58 (2.28)	35 (1.38)	—	—	55 (2.17)	78 (3.07)	B

Gear head (dimensions)

Scale: 1/4, Unit: mm (inch)

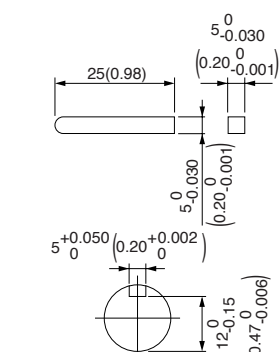
MZ9G□B (ball bearing / hinge not attached)
 Mass 1.4 kg (3.09 lb)

MY9G□B (ball bearing / hinge attached)
 Mass 1.4 kg (3.09 lb)



Key and keyway (dimensions) [attachment]

MZ9G□B
 MY9G□B



Note) MZ / MY is available for a gear head of either type.

(Note) Because the dimensions may be subject to change, also check the determinate dimensions if the gear head is to be used for design.

Electromagnetic brake single-phase motor (leadwire)

US CE CCC 90 mm (3.54 inch) sq. 90 W

Specifications

Size	Motor model No.	Number of pole (P)	Output (W)	Voltage (V)	Frequency (Hz)	Rating (min)	Rating				Starting current (A)	Starting torque N·m (oz-in)	Brake Input (W)	Brake Current (A)	Brake Friction Torque N·m (oz-in)	Capacitor (μF) (rated voltage)
							Input (W)	Current (A)	Speed (r/min)	Torque N·m (oz-in)						
90 mm sq.	M9RZ90GB4LG(A) M9RZ90GB4LGA	4	90	100	50	30	175	1.8	1250	0.69 (97.7)	3.0	0.72 (102)	9	0.10	0.39 (55.2)	32
							188	1.9	1575	0.55 (77.9)	3.0	0.72 (102)	9	0.10	0.39 (55.2)	(250 V)
	M9RZ90GB4DG(A) M9RZ90GB4DGA	4	90	110	60	30	181	1.7	1600	0.54 (76.5)	3.1	0.76 (108)	11	0.11	0.39 (55.2)	28
							190	1.7	1625	0.53 (75.1)	3.2	0.83 (118)	12	0.12	0.39 (55.2)	(250 V)
	M9RZ90GB4YG(A) M9RZ90GB4YGA	4	90	200	50	30	171	0.86	1225	0.70 (99.1)	1.4	0.72 (102)	9	0.05	0.39 (55.2)	8
							193	1.0	1550	0.55 (77.9)	1.4	0.72 (102)	9	0.05	0.39 (55.2)	(450 V)
	M9RZ90GB4GG(A) M9RZ90GB4GGA	4	90	220	60	30	179	0.84	1275	0.67 (94.9)	1.5	0.76 (108)	11	0.06	0.39 (55.2)	7
							184	0.84	1600	0.54 (76.5)	1.5	0.76 (108)	11	0.06	0.39 (55.2)	(450 V)
	M9RZ90GB4GG(A) M9RZ90GB4GGA	4	90	230	50	30	192	0.89	1275	0.67 (94.9)	1.6	0.83 (118)	12	0.06	0.39 (55.2)	7
							192	0.84	1600	0.54 (76.5)	1.5	0.83 (118)	12	0.06	0.39 (55.2)	(450 V)

- The specifications and wire connections of the round shaft motor are the same as those of the pinion shaft type. For the dimensional outline drawing, refer to page B-220.
- The models with a motor model number to which "A" is suffixed are not equipped with a capacitor cap.
- The models with a motor model number to which "A" is suffixed are not sold or available in Japan.

Permissible torque at output shaft of gear head

* The speed shown below is a calculated value based on the synchronous rotational speed. Depending on the load, the speed is less than the indicated value by 2% to 20%.

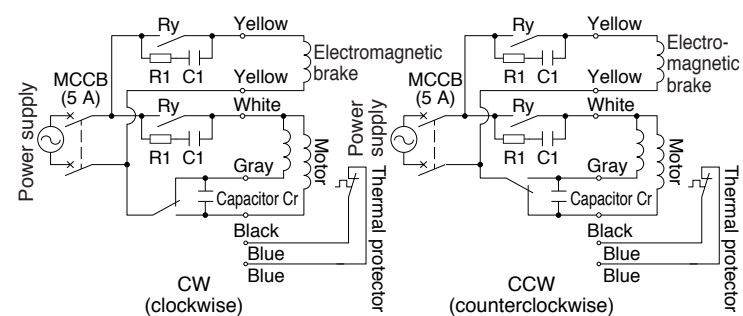
Unit of permissible torque: upper (N·m) / lower (lb-in)

Reduction ratio	Unit of permissible torque: upper (N·m) / lower (lb-in)																							
	3	3.6	5	6	7.5	9	10	12.5	15	18	20	25	30	36	50	60	75	90	100	120	150	180	200	
Speed (r/min)	50 Hz	500	416.7	300	250	200	166.7	150	120	100	83.3	75	60	50	41.7	30	25	20	16.7	15	12.5	10	8.3	7.5
	60 Hz	600	500	360	300	240	200	180	144	120	100	90	72	60	50	36	30	24	20	18	15	12	10	9
Applicable gear head	50 Hz	1.37 (12.1)	1.67 (14.8)	2.25 (19.9)	2.74 (24.3)	3.43 (30.4)	4.12 (36.5)	4.51 (39.9)	5.68 (50.3)	6.76 (59.8)	8.04 (71.2)	9.02 (79.8)	10.9 (96.5)	13.0 (115)	15.7 (139)	19.6 (173)								
	60 Hz	1.18 (10.4)	1.37 (12.1)	1.86 (16.5)	2.25 (19.9)	2.84 (25.1)	3.43 (30.4)	3.72 (32.9)	4.70 (41.6)	5.68 (50.3)	6.76 (59.8)	7.55 (66.8)	9.21 (81.5)	10.9 (96.5)	13.0 (115)	18.3 (162)								
Rotational direction	Same as motor rotational direction											Reverse to motor rotational direction					Same as motor rotational direction							

Permissible torque at output shaft of gear head using decimal gear head

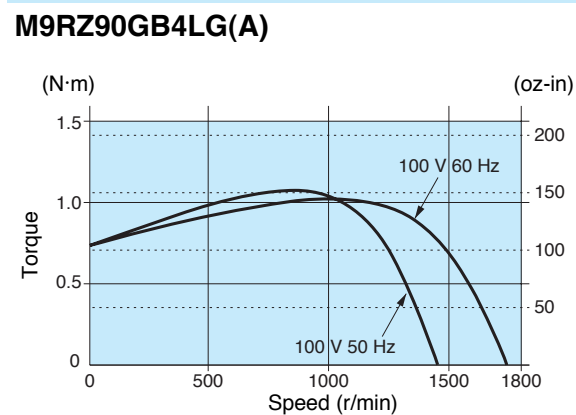
Applicable gear head	Reduction ratio	Permissible torque											
		250	300	360	500	600	750	900	1000	1200	1500	1800	
Bearing	Speed (r/min)	50 Hz	6	5	4.2	3	2.5	2	1.7	1.5	1.3	1	0.8
		60 Hz	7.2	6	5	3.6	3	2.4	2	1.8	1.5	1.2	1
MZ9G□B (ball bearing / hinge not attached) MY9G□B (ball bearing / hinge attached)	MZ9G10XB	Permissible torque	N·m (lb-in)	19.6 (173)	19.6 (173)	19.6 (173)	19.6 (173)	19.6 (173)	19.6 (173)	19.6 (173)	19.6 (173)	19.6 (173)	19.6 (173)
		Rotational direction	Reverse to motor rotational direction		Same as motor rotational direction								

Connection diagram



- <Note>
- Brake will be activated and held when electromagnetic brake power is turned OFF.
 - Protect the contacts by inserting the spark-killer circuit (R1+C1) between the contacts. R1+C1 is provided as an option (DV0P008A, refer to page D-3).
 - Refer to page A-58 for connection of thermal protector.
 - Use a circuit breaker for the power supply.

Speed-torque characteristics

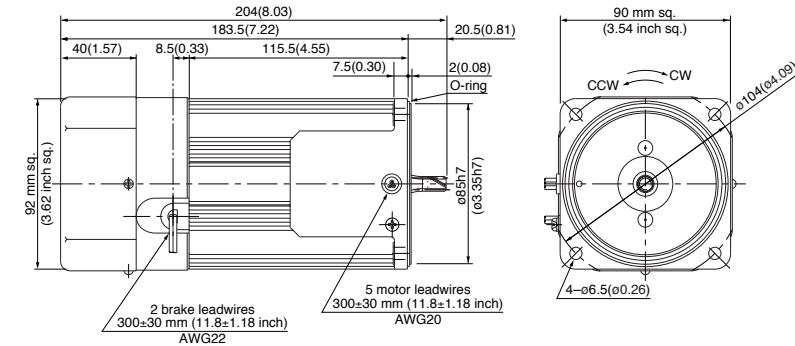


Motor (dimensions)

Scale: 1/4, Unit: mm (inch)

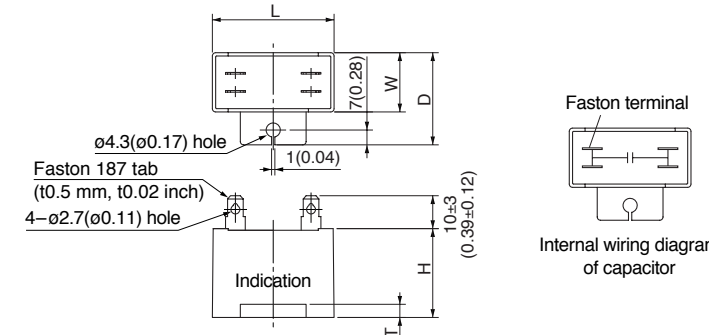
M9RZ90GB4LG(A)	4P 90 W 100 V (with fan)
M9RZ90GB4DG(A)	4P 90 W 110 V / 115 V (with fan)
M9RZ90GB4YG(A)	4P 90 W 200 V (with fan)
M9RZ90GB4GG(A)	4P 90 W 220 V / 230 V (with fan)

Mass	Helical gear	Module	Number of teeth
3.8 kg (8.38 lb)		0.6	9



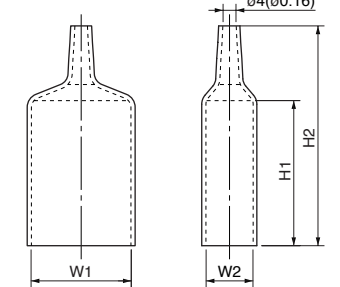
Capacitor (dimensions) [attachment]

Unit: mm (inch)



Capacitor cap (dimensions) [attachment]

Unit: mm (inch)



Capacitor dimension list

Model number of motor	Model number of capacitor (attachment)	L	W	D	H	T	Capacitor cap (attachment)	W1	W2	H1	H2
M9RZ90GB4LG(A)	M0PC32M25G	58 (2.28)	35 (1.38)	50 (1.97)	50 (1.97)	4 (0.16)	M0PC5835G	58 (2.28)	35 (1.38)	55 (2.17)	78 (3.07)
M9RZ90GB4DG(A)	M0PC28M25G	58 (2.28)	35 (1.38)	50 (1.97)	50 (1.97)	4 (0.16)	M0PC5835G	58 (2.28)	35 (1.38)	55 (2.17)	78 (3.07)
M9RZ90GB4YG(A)	M0PC8M45G	58 (2.28)	35 (1.38)	50 (1.97)	50 (1.97)	4 (0.16)	M0PC5835G	58 (2.28)	35 (1.38)	55 (2.17)	78 (3.07)
M9RZ90GB4GG(A)	M0PC7M45G	58 (2.28)	35 (1.38)	50 (1.97)	50 (1.97)	4 (0.16)	M0PC5835G	58 (2.28)	35 (1.38)	55 (2.17)	78 (3.07)

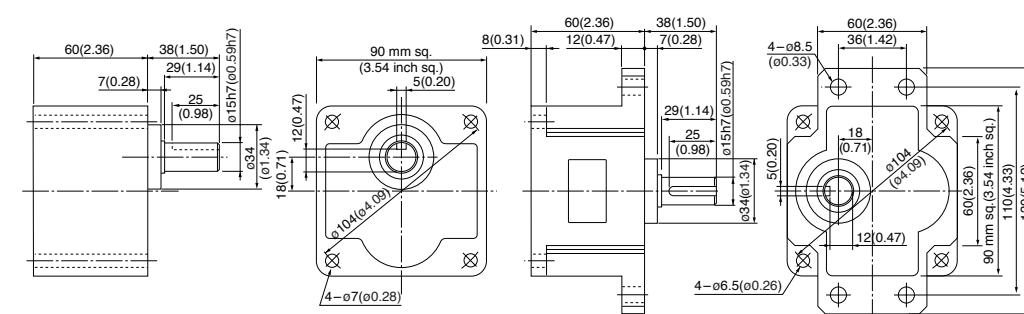
* The models with a motor model number to which "A" is suffixed are not equipped with a capacitor cap.

Gear head (dimensions)

Scale: 1/4, Unit: mm (inch)

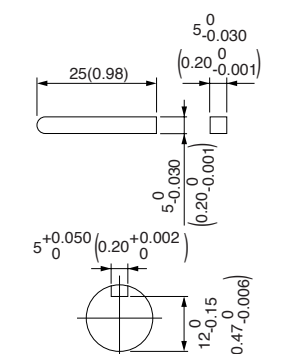
MZ9G□B (ball bearing / hinge not attached)
Mass 1.4 kg (3.09 lb)

MY9G□B (ball bearing / hinge attached)
Mass 1.4 kg (3.09 lb)



Key and keyway (dimensions) [attachment]

MZ9G□B
MY9G□B



Note) MZ / MY is available for a gear head of either type.

(Note) Because the dimensions may be subject to change, also check the determinate dimensions if the gear head is to be used for design.

Electromagnetic brake 3-phase motor (leadwire)

80 mm (3.15 inch) sq. 25 W

Specifications

Size	Motor model No.	Number of pole (P)	Output (W)	Voltage (V)	Frequency (Hz)	Rating (min)	Rating				Starting current (A)	Starting torque N-m (oz-in)	Brake Input (W)	Brake Current (A)	Brake Friction Torque N-m (oz-in)
							Input (W)	Current (A)	Speed (r/min)	Torque N-m (oz-in)					
80 mm sq.	M8MX25GB4Y	4	25	200	50	Cont.	50	0.25	1350	0.18 (25.5)	0.62	0.54 (76.5)	6	0.03	0.10 (14.2)
						60	47	0.22	1625	0.15 (21.2)	0.58	0.40 (56.6)	6	0.03	0.10 (14.2)
		4	25	220	50	Cont.	54	0.27	1375	0.18 (25.5)	0.67	0.66 (93.5)	7	0.04	0.10 (14.2)
						60	49	0.23	1650	0.15 (21.2)	0.64	0.50 (70.8)	7	0.04	0.10 (14.2)

* The specifications and wire connections of the round shaft motor are the same as those of the pinion shaft type. For the dimensional outline drawing, refer to page B-221.

Permissible torque at output shaft of gear head

* The speed shown below is a calculated value based on the synchronous rotational speed. Depending on the load, the speed is less than the indicated value by 2 % to 20 %.

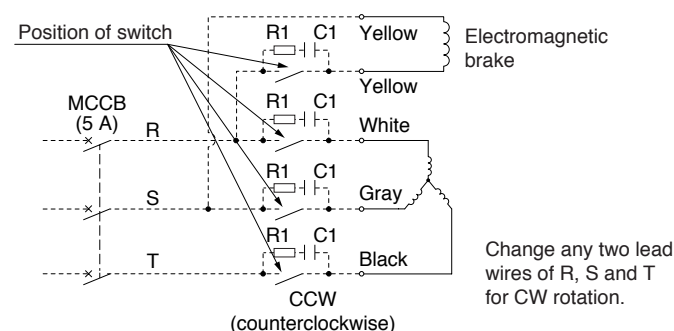
Unit of permissible torque: upper (N-m) / lower (lb-in)

Reduction ratio	Unit of permissible torque: upper (N-m) / lower (lb-in)																							
	3	3.6	5	6	7.5	9	10	12.5	15	18	20	25	30	36	50	60	75	90	100	120	150	180		
Speed (r/min)	50 Hz	500	416.7	300	250	200	166.7	150	120	100	83.3	75	60	50	41.7	30	25	20	16.7	15	12.5	10	8.3	
	60 Hz	600	500	360	300	240	200	180	144	120	100	90	72	60	50	36	30	24	20	18	15	12	10	
Applicable gear head	MX8G3B to MX8G180B (ball bearing)	50 Hz	0.39 (3.45)	0.47 (4.16)	0.66 (5.84)	0.78 (6.90)	0.98 (8.67)	1.18 (10.4)	1.27 (11.2)	1.57 (13.9)	1.96 (17.3)	2.35 (20.8)	2.55 (22.6)	3.14 (27.8)	3.82 (33.8)	4.61 (40.8)	6.37 (56.4)	7.64 (67.6)						7.84 (69.4)
		60 Hz	0.32 (2.83)	0.39 (3.45)	0.55 (4.87)	0.66 (5.84)	0.81 (7.17)	0.98 (8.67)	1.08 (9.56)	1.27 (11.2)	1.57 (13.9)	1.96 (17.3)	2.06 (18.2)	2.65 (23.5)	3.14 (27.8)	3.82 (33.8)	5.29 (46.8)	6.37 (56.4)						7.84 (69.4)
Rotational direction	Same as motor rotational direction											Reverse to motor rotational direction												

Permissible torque at output shaft of gear head using decimal gear head

Applicable gear head		Reduction ratio	Reduction ratio														
Bearing	Decimal gear head		Speed (r/min)	200	250	300	360	500	600	750	900	1000	1200	1500	1800		
		MX8G□B (ball bearing)		MX8G10XB	50 Hz	7.84 (69.4)	7.84 (69.4)	7.84 (69.4)	7.84 (69.4)	7.84 (69.4)	7.84 (69.4)	7.84 (69.4)	7.84 (69.4)	7.84 (69.4)	7.84 (69.4)	7.84 (69.4)	7.84 (69.4)
60 Hz	9		7.2		6	5	3.6	3	2.4	2	1.8	1.5	1.2	1			
MX8G□M (metal bearing)	MX8G10XB	Permissible torque	Same as motor rotational direction														
Rotational direction		Reverse to motor rotational direction															

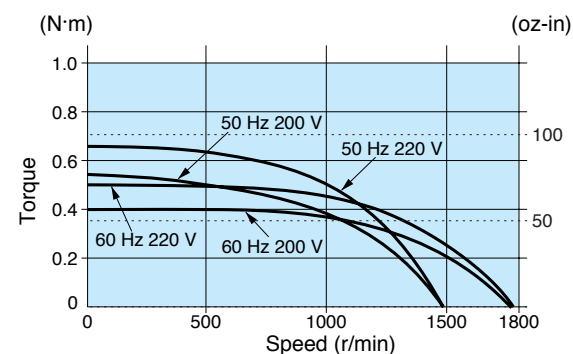
Connection diagram



<Note>
 1. Brake will be activated and held when electromagnetic brake power is turned OFF.
 2. Protect the contacts by inserting the spark-killer circuit (R1+C1) between the contacts. R1+C1 is provided as an option (DV0P008A, refer to page D-3).
 3. Use a circuit breaker for the power supply.

Speed-torque characteristics

M8MX25GB4Y

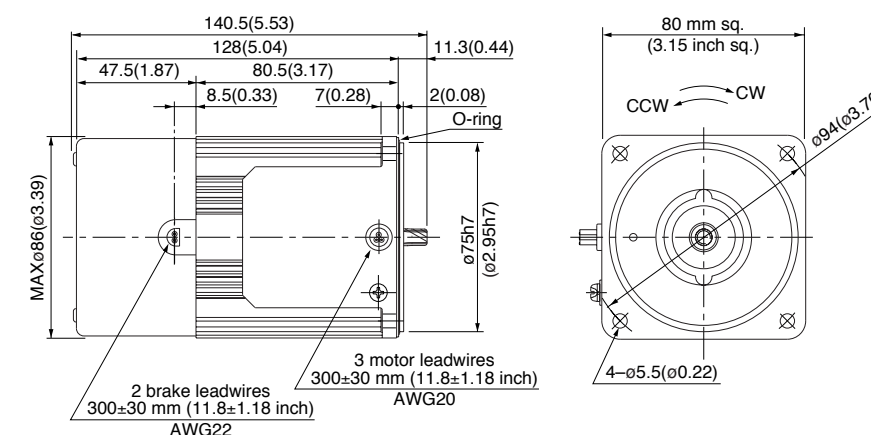


Motor (dimensions)

M8MX25GB4Y 4P 25 W 200 V / 220 V

Scale: 1/3, Unit: mm (inch)

Mass 2.1 kg 4.63 lb
 Helical gear
 Module 0.5
 Number of teeth 9

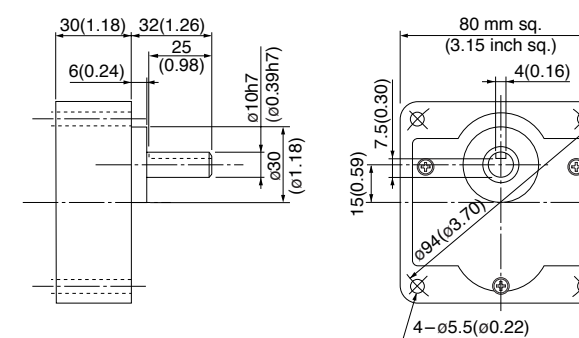


* Please read your User's manual carefully so that you will understand the operation and safety precautions before attempting to operate the system.

Gear head (dimensions)

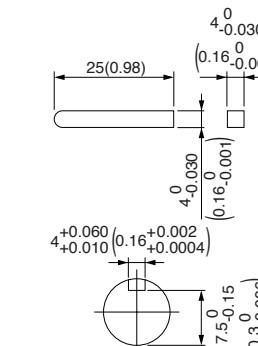
Scale: 1/3, Unit: mm (inch)

MX8G□B (ball bearing) Mass 0.6 kg (1.32 lb) MX8G□M (metal bearing) Mass 0.6 kg (1.32 lb)



Key and keyway (dimensions) [attachment]

MX8G□B(M)



(Note) Because the dimensions may be subject to change, also check the determinate dimensions if the gear head is to be used for design.

Electromagnetic brake 3-phase motor (leadwire)

US CE 80 mm (3.15 inch) sq. 25 W

Specifications

Size	Motor model No.	Number of pole (P)	Output (W)	Voltage (V)	Frequency (Hz)	Rating (min)	Rating				Starting current (A)	Starting torque N·m (oz-in)	Brake Input (W)	Brake Current (A)	Brake Friction Torque N·m (oz-in)
							Input (W)	Current (A)	Speed (r/min)	Torque N·m (oz-in)					
80 mm Sq.	M8MX25GB4YG M8MX25GB4YGA	4	25	200	50	Cont.	50	0.25	1350	0.18 (25.5)	0.62	0.54 (76.5)	6	0.03	0.10 (14.2)
							47	0.22	1625	0.15 (21.2)	0.58	0.40 (56.6)	6	0.03	0.10 (14.2)
							49	0.23	1650	0.14 (19.8)	0.64	0.50 (70.8)	7	0.04	0.10 (14.2)
							50	0.24	1675	0.14 (19.8)	0.65	0.54 (76.5)	8	0.04	0.10 (14.2)

The specifications and wire connections of the round shaft motor are the same as those of the pinion shaft type. For the dimensional outline drawing, refer to page B-221.
The models with a motor model number to which "A" is suffixed are not sold or available in Japan.

Permissible torque at output shaft of gear head

The speed shown below is a calculated value based on the synchronous rotational speed. Depending on the load, the speed is less than the indicated value by 2% to 20%.

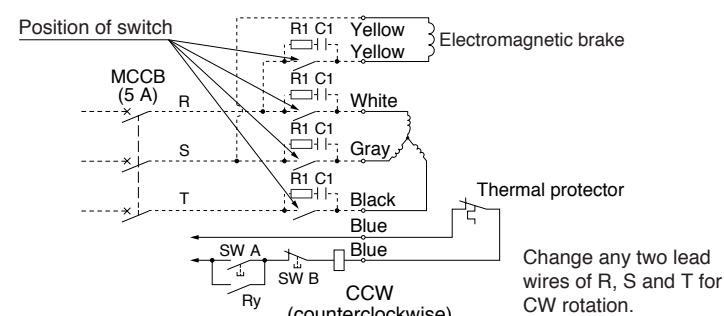
Unit of permissible torque: upper (N·m) / lower (lb-in)

Reduction ratio	Unit of permissible torque: upper (N·m) / lower (lb-in)																							
	3	3.6	5	6	7.5	9	10	12.5	15	18	20	25	30	36	50	60	75	90	100	120	150	180		
Speed (r/min)	50 Hz	500	416.7	300	250	200	166.7	150	120	100	83.3	75	60	50	41.7	30	25	20	16.7	15	12.5	10	8.3	
	60 Hz	600	500	360	300	240	200	180	144	120	100	90	72	60	50	36	30	24	20	18	15	12	10	
Applicable gear head	MX8G3B to MX8G180B (ball bearing)	50 Hz	0.39 (3.45)	0.47 (4.16)	0.66 (5.84)	0.78 (6.90)	0.98 (8.67)	1.18 (10.4)	1.27 (11.2)	1.57 (13.9)	1.96 (17.3)	2.35 (20.8)	2.55 (22.6)	3.14 (27.8)	3.82 (33.8)	4.61 (40.8)	6.37 (56.4)	7.64 (67.6)						7.84 (69.4)
		60 Hz	0.32 (2.83)	0.39 (3.45)	0.55 (4.87)	0.66 (5.84)	0.81 (7.17)	0.98 (8.67)	1.08 (9.56)	1.27 (11.2)	1.57 (13.9)	1.96 (17.3)	2.06 (18.2)	2.65 (23.5)	3.14 (27.8)	3.82 (33.8)	5.29 (46.8)	6.37 (56.4)						7.84 (69.4)
Rotational direction	Same as motor rotational direction											Reverse to motor rotational direction												

Permissible torque at output shaft of gear head using decimal gear head

Applicable gear head		Reduction ratio	Reduction ratio														
Bearing	Decimal gear head		Speed (r/min)	50 Hz	7.5	6	5	4.2	3	2.5	2	1.7	1.5	1.3	1	0.8	
MX8G□B (ball bearing) MX8G□M (metal bearing)	MX8G10XB	Permissible torque	N·m (lb-in)	7.84 (69.4)	7.84 (69.4)	7.84 (69.4)	7.84 (69.4)	7.84 (69.4)	7.84 (69.4)	7.84 (69.4)	7.84 (69.4)	7.84 (69.4)	7.84 (69.4)	7.84 (69.4)	7.84 (69.4)	7.84 (69.4)	
		Rotational direction	Same as motor rotational direction	Reverse to motor rotational direction													

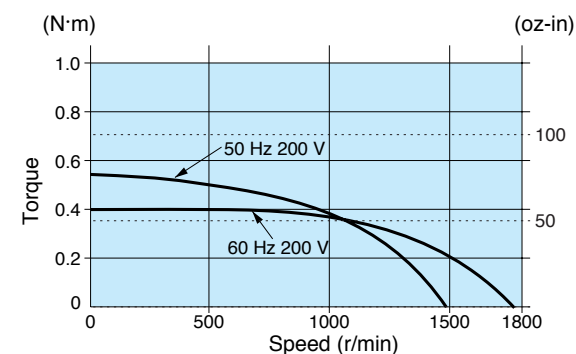
Connection diagram



<Note>
1. Brake will be activated and held when electromagnetic brake power is turned OFF.
2. Protect the contacts by inserting the spark-killer circuit (R1+C1) between the contacts. R1+C1 is provided as an option (DV0P008A, refer to page D-3).
3. Refer to page A-58 for connection of thermal protector.
4. Use a circuit breaker for the power supply.

Speed-torque characteristics

M8MX25GB4YG(A)

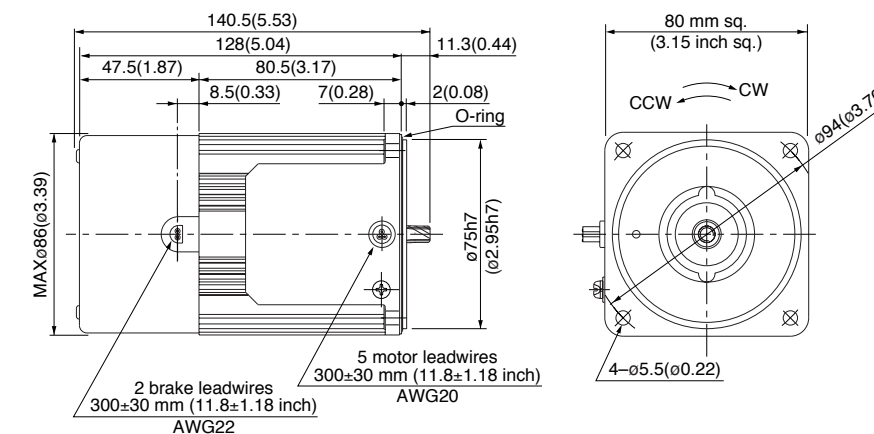


Motor (dimensions)

M8MX25GB4YG(A) 4P 25 W 200 V / 220 V / 230 V

Scale: 1/3, Unit: mm (inch)

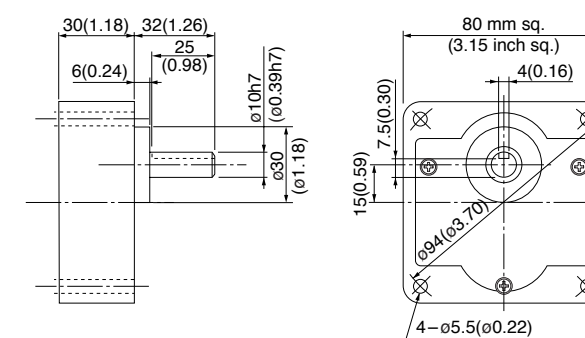
Mass 2.1 kg 4.63 lb
Helical gear
Module 0.5
Number of teeth 9



Gear head (dimensions)

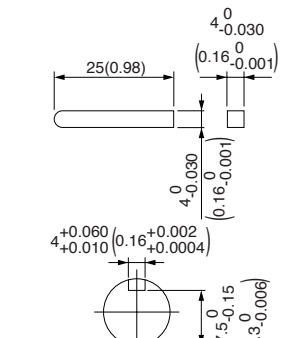
Scale: 1/3, Unit: mm (inch)

MX8G□B (ball bearing) Mass 0.6 kg (1.32 lb) MX8G□M (metal bearing) Mass 0.6 kg (1.32 lb)



Key and keyway (dimensions) [attachment]

MX8G□B(M)



* Please read your User's manual carefully so that you will understand the operation and safety precautions before attempting to operate the system.

(Note) Because the dimensions may be subject to change, also check the determinate dimensions if the gear head is to be used for design.

Electromagnetic brake 3-phase motor (leadwire)

90 mm (3.54 inch) sq. 40 W

Specifications

Size	Motor model No.	Number of pole (P)	Output (W)	Voltage (V)	Frequency (Hz)	Rating (min)	Rating				Starting current (A)	Starting torque N·m (oz-in)	Brake Input (W)	Brake Current (A)	Brake Friction Torque N·m (oz-in)
							Input (W)	Current (A)	Speed (r/min)	Torque N·m (oz-in)					
90 mm sq.	M9MX40GB4Y	4	40	200	50	Cont.	69	0.31	1350	0.28 (39.7)	0.90	0.72 (102)	9	0.05	0.20 (28.3)
					60	Cont.	68	0.29	1625	0.24 (34.0)	0.82	0.51 (72.2)	9	0.05	0.20 (28.3)
		4	40	220	50	Cont.	70	0.32	1375	0.27 (38.2)	1.00	0.88 (125)	11	0.06	0.20 (28.3)
					60	Cont.	66	0.28	1675	0.23 (32.6)	0.91	0.63 (89.2)	11	0.06	0.20 (28.3)

* The specifications and wire connections of the round shaft motor are the same as those of the pinion shaft type. For the dimensional outline drawing, refer to page B-221.

Permissible torque at output shaft of gear head

* The speed shown below is a calculated value based on the synchronous rotational speed. Depending on the load, the speed is less than the indicated value by 2 % to 20 %.

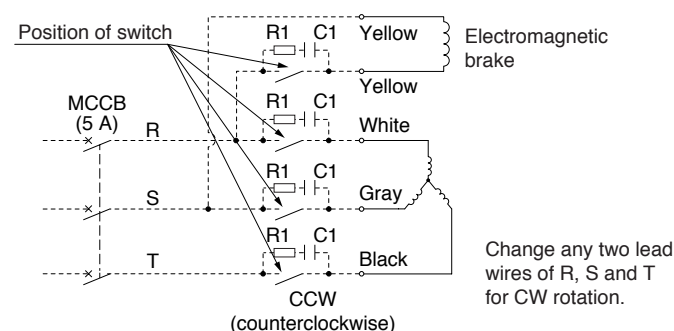
Unit of permissible torque: upper (N·m) / lower (lb-in)

Reduction ratio	Unit of permissible torque: upper (N·m) / lower (lb-in)																						
	3	3.6	5	6	7.5	9	10	12.5	15	18	20	25	30	36	50	60	75	90	100	120	150	180	
Speed (r/min)	50 Hz	500	416.7	300	250	200	166.7	150	120	100	83.3	75	60	50	41.7	30	25	20	16.7	15	12.5	10	8.3
	60 Hz	600	500	360	300	240	200	180	144	120	100	90	72	60	50	36	30	24	20	18	15	12	10
Applicable gear head	MX9G3B to MX9G180B (ball bearing)	50 Hz	0.66 (5.84)	0.78 (6.90)	1.08 (9.56)	1.27 (11.2)	1.57 (13.9)	1.86 (16.5)	2.25 (19.9)	2.74 (24.3)	3.23 (28.6)	3.92 (34.7)	4.41 (39.0)	5.29 (46.8)	6.37 (56.4)	7.94 (70.3)	9.80 (86.7)						
		60 Hz	0.55 (4.87)	0.66 (5.84)	0.90 (7.97)	1.08 (9.56)	1.27 (11.2)	1.57 (13.9)	1.76 (15.6)	2.25 (19.9)	2.74 (24.3)	3.23 (28.6)	3.53 (31.2)	4.41 (39.0)	5.29 (46.8)	6.37 (56.4)	8.82 (78.1)	9.80 (86.7)					
Rotational direction		Same as motor rotational direction											Reverse to motor rotational direction										

Permissible torque at output shaft of gear head using decimal gear head

Applicable gear head		Reduction ratio	Reduction ratio													
Bearing	Decimal gear head		Speed (r/min)	200	250	300	360	500	600	750	900	1000	1200	1500	1800	
		MX9G□B (ball bearing)		MX9G10XB	50 Hz	9.80 (86.7)	9.80 (86.7)	9.80 (86.7)	9.80 (86.7)	9.80 (86.7)	9.80 (86.7)	9.80 (86.7)	9.80 (86.7)	9.80 (86.7)	9.80 (86.7)	9.80 (86.7)
60 Hz	9.80 (86.7)		9.80 (86.7)		9.80 (86.7)	9.80 (86.7)	9.80 (86.7)	9.80 (86.7)	9.80 (86.7)	9.80 (86.7)	9.80 (86.7)	9.80 (86.7)	9.80 (86.7)	9.80 (86.7)	9.80 (86.7)	
MX9G□M (metal bearing)		Permissible torque	Same as motor rotational direction													
		Rotational direction	Reverse to motor rotational direction													

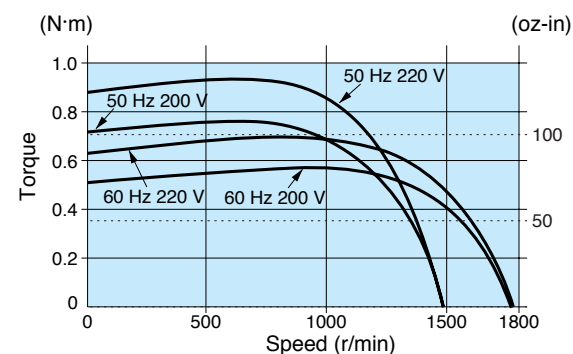
Connection diagram



<Note>
 1. Brake will be activated and held when electromagnetic brake power is turned OFF.
 2. Protect the contacts by inserting the spark-killer circuit (R1+C1) between the contacts. R1+C1 is provided as an option (DV0P008A, refer to page D-3).
 3. Use a circuit breaker for the power supply.

Speed-torque characteristics

M9MX40GB4Y

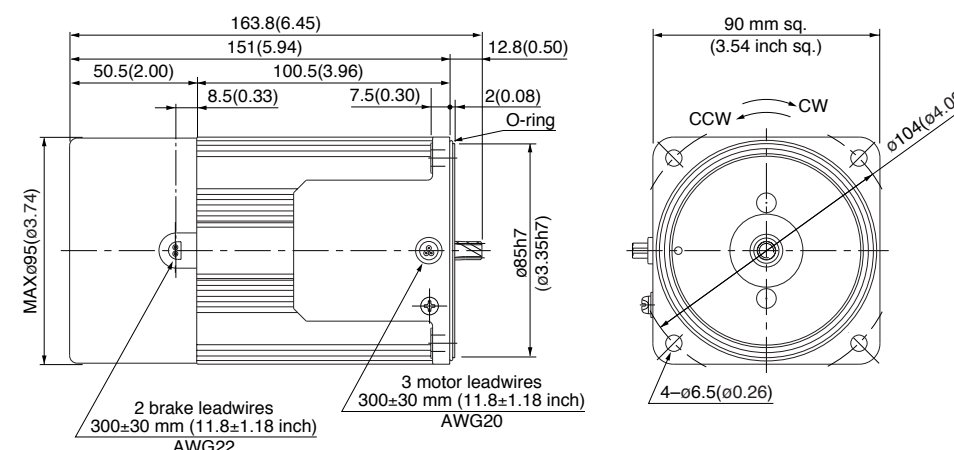


Motor (dimensions)

M9MX40GB4Y 4P 40 W 200 V / 220 V

Scale: 1/3, Unit: mm (inch)

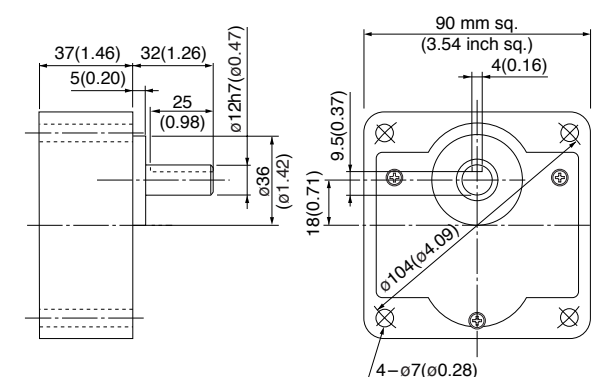
Mass 3.2 kg (7.05 lb)
 Helical gear
 Module 0.55
 Number of teeth 9



Gear head (dimensions)

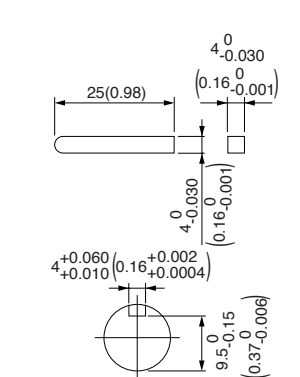
MX9G□B (ball bearing) Mass 0.8 kg (1.76 lb) MX9G□M (metal bearing) Mass 0.8 kg (1.76 lb)

Scale: 1/3, Unit: mm (inch)



Key and keyway (dimensions) [attachment]

MX9G□B(M)



* Please read your User's manual carefully so that you will understand the operation and safety precautions before attempting to operate the system.

(Note) Because the dimensions may be subject to change, also check the determinate dimensions if the gear head is to be used for design.

Electromagnetic brake 3-phase motor (leadwire)

90 mm (3.54 inch) sq. 60 W

Specifications

Size	Motor model No.	Number of pole (P)	Output (W)	Voltage (V)	Frequency (Hz)	Rating (min)	Rating				Starting current (A)	Starting torque N-m (oz-in)	Brake Input (W)	Brake Current (A)	Brake Friction Torque N-m (oz-in)
							Input (W)	Current (A)	Speed (r/min)	Torque N-m (oz-in)					
90 mm sq.	M9MZ60GB4Y	4	60	200	50	Cont.	101	0.45	1350	0.42 (59.5)	1.3	1.0 (142)	9	0.05	0.39 (55.2)
						60	96	0.41	1625	0.35 (49.6)	1.2	0.69 (97.7)	9	0.05	0.39 (55.2)
		4	60	220	50	Cont.	103	0.46	1375	0.41 (58.1)	1.5	1.2 (170)	11	0.06	0.39 (55.2)
						60	98	0.40	1650	0.34 (48.1)	1.3	0.87 (123)	11	0.06	0.39 (55.2)

* The specifications and wire connections of the round shaft motor are the same as those of the pinion shaft type. For the dimensional outline drawing, refer to page B-221.

Permissible torque at output shaft of gear head

* The speed shown below is a calculated value based on the synchronous rotational speed. Depending on the load, the speed is less than the indicated value by 2% to 20%.

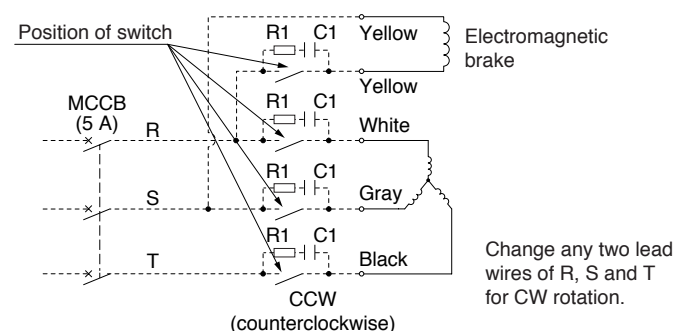
Unit of permissible torque: upper (N·m) / lower (lb·in)

Reduction ratio	Unit of permissible torque: upper (N·m) / lower (lb·in)																							
	3	3.6	5	6	7.5	9	10	12.5	15	18	20	25	30	36	50	60	75	90	100	120	150	180	200	
Speed (r/min)	50 Hz	500	416.7	300	250	200	166.7	150	120	100	83.3	75	60	50	41.7	30	25	20	16.7	15	12.5	10	8.3	7.5
	60 Hz	600	500	360	300	240	200	180	144	120	100	90	72	60	50	36	30	24	20	18	15	12	10	9
Applicable gear head	MZ9G3B to MZ9G200B (ball bearing / hinge not attached)	0.98 (8.7)	1.18 (10.4)	1.57 (13.9)	1.96 (17.3)	2.35 (20.8)	2.94 (26.0)	3.14 (27.8)	3.92 (34.7)	4.70 (41.6)	5.59 (49.5)	6.27 (55.5)	7.55 (66.8)	9.11 (80.6)	11.0 (97.4)	15.2 (135)	17.8 (158)							19.6 (173)
	MY9G3B to MY9G200B (ball bearing / hinge attached)	0.78 (6.9)	0.98 (8.7)	1.37 (12.1)	1.57 (13.9)	1.96 (17.3)	2.35 (20.8)	2.65 (23.5)	3.33 (29.5)	3.92 (34.7)	4.70 (41.8)	5.29 (46.8)	6.47 (57.3)	7.55 (66.8)	9.11 (80.6)	12.6 (112)	15.2 (135)							19.6 (173)
Rotational direction	Same as motor rotational direction						Reverse to motor rotational direction						Same as motor rotational direction											

Permissible torque at output shaft of gear head using decimal gear head

Applicable gear head		Reduction ratio	Reduction ratio												
Bearing	Decimal gear head		Speed (r/min)	50 Hz	6	5	4.2	3	2.5	2	1.7	1.5	1.3	1	0.8
MZ9G□B (ball bearing / Hinge not attached)	MZ9G10XB	Permissible torque	N-m	19.6	19.6	19.6	19.6	19.6	19.6	19.6	19.6	19.6	19.6	19.6	19.6
MY9G□B (ball bearing / Hinge attached)			(lb-in)	(173)	(173)	(173)	(173)	(173)	(173)	(173)	(173)	(173)	(173)	(173)	(173)
Rotational direction			Reverse to motor rotational direction			Same as motor rotational direction									

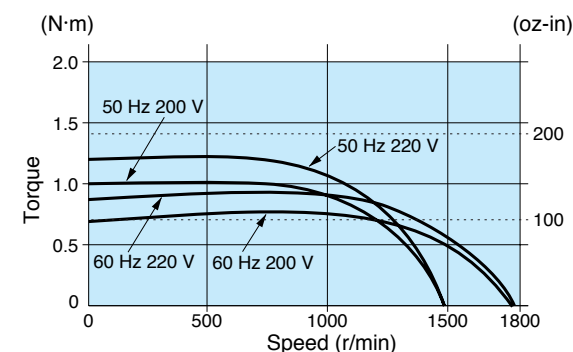
Connection diagram



- <Note>**
- Brake will be activated and held when electromagnetic brake power is turned OFF.
 - Protect the contacts by inserting the spark-killer circuit (R1+C1) between the contacts. R1+C1 is provided as an option (DV0P008A, refer to page D-3).
 - Use a circuit breaker for the power supply.

Speed-torque characteristics

M9MZ60GB4Y

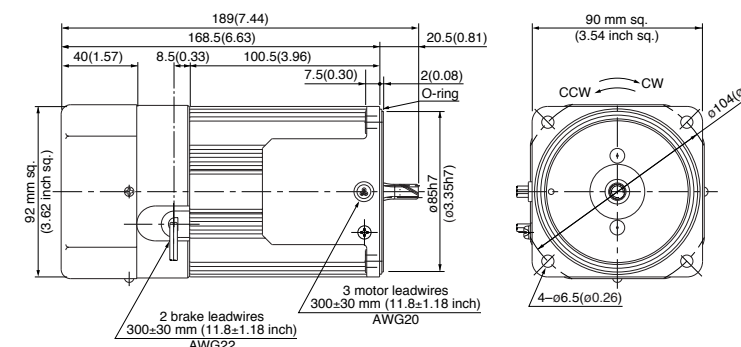


Motor (dimensions)

Scale: 1/4, Unit: mm

M9MZ60GB4Y 4P 60 W 200 V / 220 V (with fan)

Mass 3.4 kg 7.50 lb
Helical gear
Module 0.6
Number of teeth 9

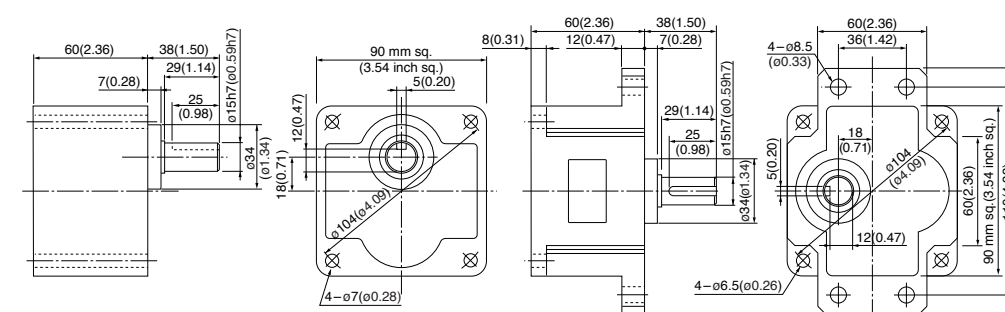


Gear head (dimensions)

Scale: 1/4, Unit: mm (inch)

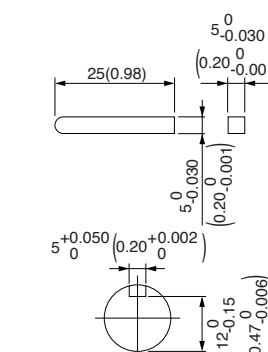
MZ9G□B (ball bearing / hinge not attached)
Mass 1.4 kg (3.09 lb)

MY9G□B (ball bearing / hinge attached)
Mass 1.4 kg (3.09 lb)



Key and keyway (dimensions) [attachment]

MZ9G□B
MY9G□B



Note) MZ / MY is available for a gear head of either type.

(Note) Because the dimensions may be subject to change, also check the determinate dimensions if the gear head is to be used for design.

Electromagnetic brake 3-phase motor (leadwire)

US CE 90 mm (3.54 inch) sq. 60 W

Specifications

Size	Motor model No.	Number of pole (P)	Output (W)	Voltage (V)	Frequency (Hz)	Rating (min)	Rating				Starting current (A)	Starting torque N·m (oz-in)	Brake Input (W)	Brake Current (A)	Brake Friction Torque N·m (oz-in)			
							Input (W)	Current (A)	Speed (r/min)	Torque N·m (oz-in)								
90 mm sq.	M9MZ60GB4YG M9MZ60GB4YGA	4	60	200	50	Cont.	101	0.45	1350	0.42 (59.5)	1.3	1.0 (142)	9	0.05	0.39 (55.2)			
							96	0.41	1625	0.35 (49.6)	1.2	0.69 (97.7)	9	0.05	0.39 (55.2)			
							220	60	Cont.	98	0.40	1650	0.35 (49.6)	1.3	0.87 (123)	11	0.06	0.39 (55.2)
							230	60	Cont.	98	0.41	1675	0.34 (48.1)	1.4	1.0 (142)	11	0.06	0.39 (55.2)

The specifications and wire connections of the round shaft motor are the same as those of the pinion shaft type. For the dimensional outline drawing, refer to page B-221.
The models with a motor model number to which "A" is suffixed are not sold or available in Japan.

Permissible torque at output shaft of gear head

The speed shown below is a calculated value based on the synchronous rotational speed. Depending on the load, the speed is less than the indicated value by 2% to 20%.

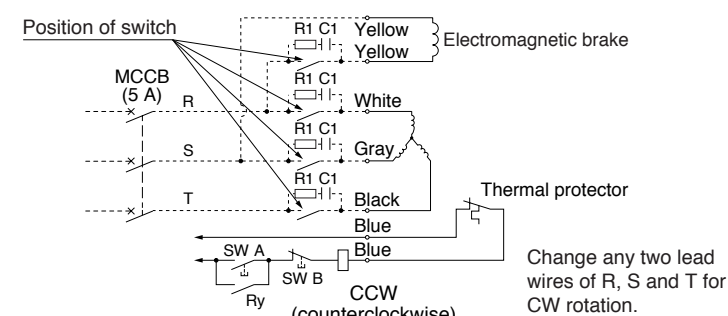
Unit of permissible torque: upper (N·m) / lower (lb-in)

Reduction ratio	Speed (r/min)																									
	50 Hz	60 Hz	3	3.6	5	6	7.5	9	10	12.5	15	18	20	25	30	36	50	60	75	90	100	120	150	180	200	
50 Hz	0.98 (8.7)	1.18 (10.4)	1.57 (13.9)	1.96 (17.3)	2.35 (20.8)	2.94 (26.0)	3.14 (27.8)	3.92 (34.7)	4.70 (41.6)	5.59 (49.5)	6.27 (55.5)	7.55 (66.8)	9.11 (80.6)	11.0 (97.4)	15.2 (135)	17.8 (158)										19.6 (173)
60 Hz	0.78 (6.9)	0.98 (8.7)	1.37 (12.1)	1.57 (13.9)	1.96 (17.3)	2.35 (20.8)	2.65 (23.5)	3.33 (29.5)	3.92 (34.7)	4.70 (41.8)	5.29 (46.8)	6.47 (57.3)	7.55 (66.8)	9.11 (80.6)	12.6 (112)	15.2 (135)										19.6 (173)
Rotational direction	Same as motor rotational direction										Reverse to motor rotational direction					Same as motor rotational direction										

Permissible torque at output shaft of gear head using decimal gear head

Applicable gear head		Reduction ratio	Speed (r/min)												
Bearing	Decimal gear head		50 Hz	60 Hz	6	5	4.2	3	2.5	2	1.7	1.5	1.3	1	0.8
MZ9G□B (ball bearing / Hinge not attached)	MZ9G10XB	Permissible torque	N·m	19.6	19.6	19.6	19.6	19.6	19.6	19.6	19.6	19.6	19.6	19.6	19.6
MY9G□B (ball bearing / Hinge attached)			(lb-in)	(173)	(173)	(173)	(173)	(173)	(173)	(173)	(173)	(173)	(173)	(173)	(173)
Rotational direction			Reverse to motor rotational direction			Same as motor rotational direction									

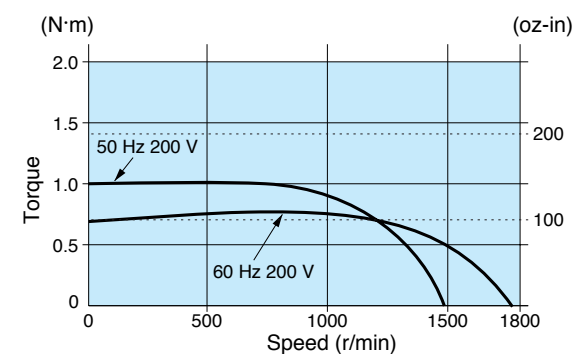
Connection diagram



<Note>
1. Brake will be activated and held when electromagnetic brake power is turned OFF.
2. Protect the contacts by inserting the spark-killer circuit (R1+C1) between the contacts. R1+C1 is provided as an option (DV0P008A, refer to page D-3).
3. Refer to page A-58 for connection of thermal protector.
4. Use a circuit breaker for the power supply.

Speed-torque characteristics

M9MZ60GB4YG(A)

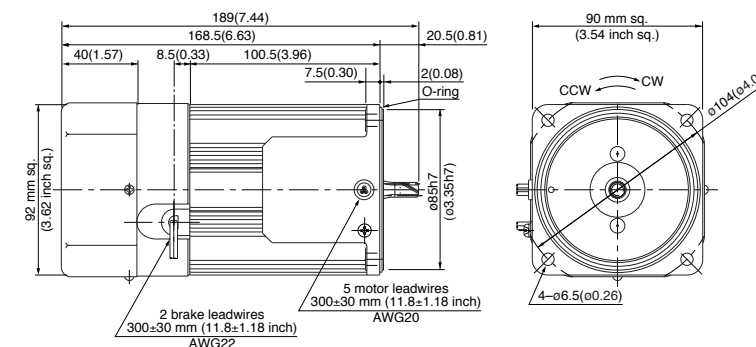


Motor (dimensions)

M9MZ60GB4YG(A) 4P 60 W 200 V / 220 V / 230 V (with fan)

Scale: 1/4, Unit: mm (inch)

Mass 3.4 kg 7.50 lb
Helical gear
Module 0.6
Number of teeth 9

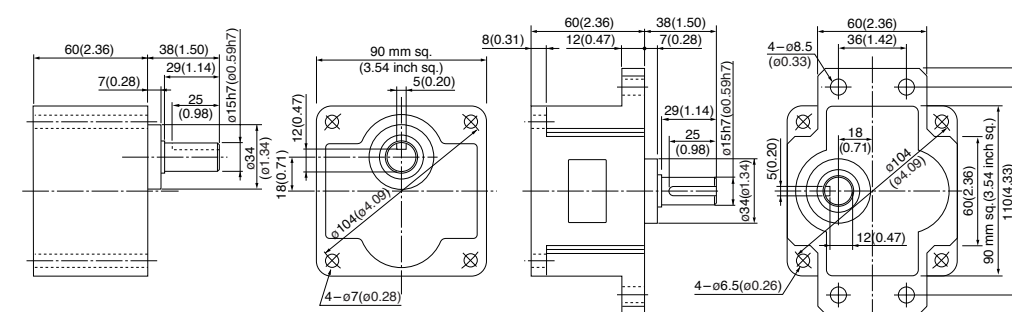


Gear head (dimensions)

Scale: 1/4, Unit: mm (inch)

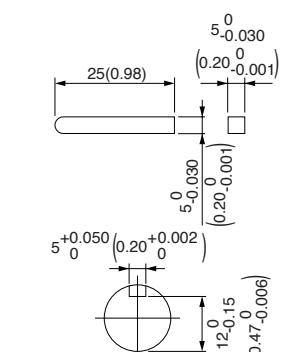
MZ9G□B (ball bearing / hinge not attached)
Mass 1.4 kg (3.09 lb)

MY9G□B (ball bearing / hinge attached)
Mass 1.4 kg (3.09 lb)



Key and keyway (dimensions) [attachment]

MZ9G□B
MY9G□B



Note) MZ / MY is available for a gear head of either type.

(Note) Because the dimensions may be subject to change, also check the determinate dimensions if the gear head is to be used for design.

Electromagnetic brake 3-phase motor (leadwire)

90 mm (3.54 inch) sq. 90 W

Specifications

Size	Motor model No.	Number of pole (P)	Output (W)	Voltage (V)	Frequency (Hz)	Rating (min)	Rating				Starting current (A)	Starting torque N-m (oz-in)	Brake Input (W)	Brake Current (A)	Brake Friction Torque N-m (oz-in)
							Input (W)	Current (A)	Speed (r/min)	Torque N-m (oz-in)					
90 mm sq.	M9MZ90GB4Y	4	90	200	50	Cont.	141	0.62	1350	0.63 (89.2)	2.0	1.6 (227)	9	0.05	0.39 (55.2)
							137	0.56	1625	0.53 (75.1)	1.8	1.1 (116)	9	0.05	0.39 (55.2)
		4	90	220	50	Cont.	143	0.65	1400	0.62 (87.8)	2.2	2.0 (283)	11	0.06	0.39 (55.2)
							137	0.56	1650	0.52 (73.6)	2.0	1.4 (198)	11	0.06	0.39 (55.2)

* The specifications and wire connections of the round shaft motor are the same as those of the pinion shaft type. For the dimensional outline drawing, refer to page B-221.

Permissible torque at output shaft of gear head

* The speed shown below is a calculated value based on the synchronous rotational speed. Depending on the load, the speed is less than the indicated value by 2 % to 20 %.

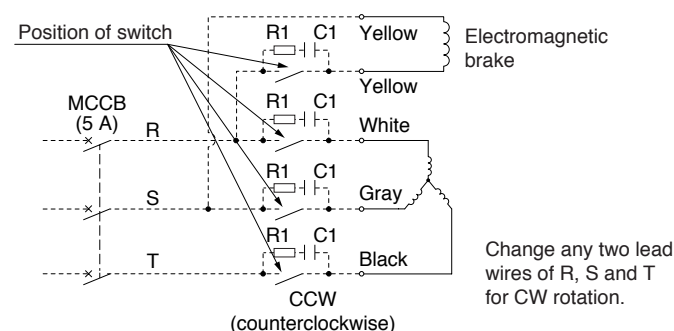
Unit of permissible torque: upper (N·m) / lower (lb·in)

Reduction ratio	Unit of permissible torque: upper (N·m) / lower (lb·in)																								
	3	3.6	5	6	7.5	9	10	12.5	15	18	20	25	30	36	50	60	75	90	100	120	150	180	200		
Speed (r/min)	50 Hz		500	416.7	300	250	200	166.7	150	120	100	83.3	75	60	50	41.7	30	25	20	16.7	15	12.5	10	8.3	7.5
	60 Hz		600	500	360	300	240	200	180	144	120	100	90	72	60	50	36	30	24	20	18	15	12	10	9
Applicable gear head	MZ9G3B to MZ9G200B (ball bearing / hinge not attached)		50 Hz	1.37 (12.1)	1.67 (14.8)	2.25 (19.9)	2.74 (24.3)	3.43 (30.4)	4.12 (36.5)	4.51 (39.9)	5.68 (50.3)	6.76 (59.8)	8.04 (71.2)	9.02 (79.8)	10.9 (96.5)	13.0 (115)	15.7 (139)	19.6 (173)							
	MY9G3B to MY9G200B (ball bearing / hinge attached)		60 Hz	1.18 (10.4)	1.37 (12.1)	1.86 (16.5)	2.25 (19.9)	2.84 (25.1)	3.43 (30.4)	3.72 (32.9)	4.70 (41.6)	5.68 (50.3)	6.76 (59.8)	7.55 (66.8)	9.21 (81.5)	10.9 (96.5)	13.0 (115)	18.3 (162)							
Rotational direction	Same as motor rotational direction						Reverse to motor rotational direction						Same as motor rotational direction												

Permissible torque at output shaft of gear head using decimal gear head

Applicable gear head		Reduction ratio	Reduction ratio												
Bearing	Decimal gear head		Speed (r/min)	50 Hz	6	5	4.2	3	2.5	2	1.7	1.5	1.3	1	0.8
MZ9G□B (ball bearing / hinge not attached) MY9G□B (ball bearing / hinge attached)	MZ9G10XB	Permissible torque	N-m (lb-in)	19.6 (173)	19.6 (173)	19.6 (173)	19.6 (173)	19.6 (173)	19.6 (173)	19.6 (173)	19.6 (173)	19.6 (173)	19.6 (173)	19.6 (173)	19.6 (173)
			Rotational direction	Reverse to motor rotational direction		Same as motor rotational direction									

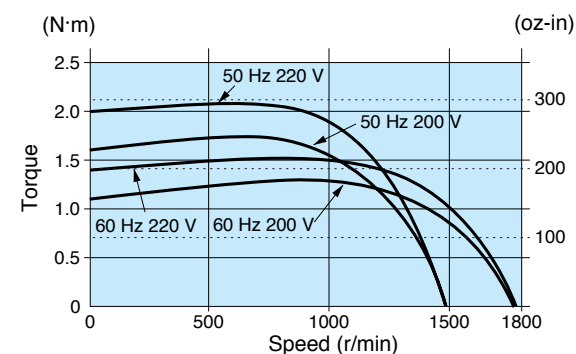
Connection diagram



<Note>
 1. Brake will be activated and held when electromagnetic brake power is turned OFF.
 2. Protect the contacts by inserting the spark-killer circuit (R1+C1) between the contacts. R1+C1 is provided as an option (DV0P008A, refer to page D-3).
 3. Use a circuit breaker for the power supply.

Speed-torque characteristics

M9MZ90GB4Y

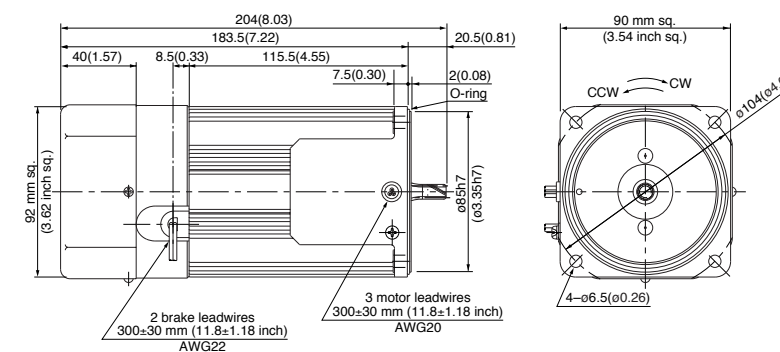


Motor (dimensions)

Scale: 1/4, Unit: mm (inch)

M9MZ90GB4Y 4P 90 W 200 V / 220 V (with fan)

Mass 3.8 kg 8.38 lb
 Helical gear
 Module 0.6
 Number of teeth 9

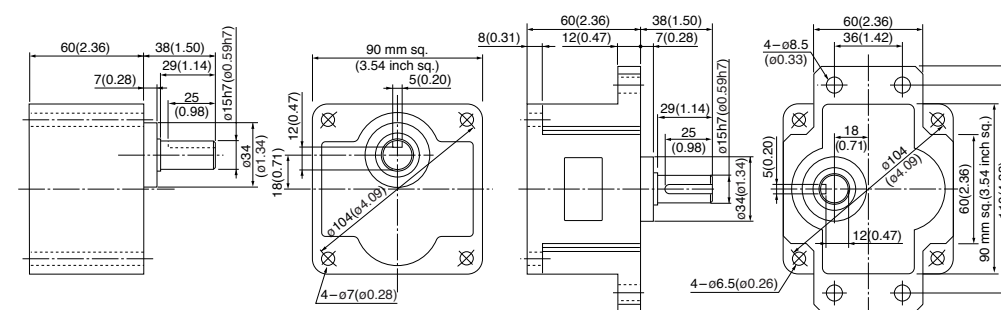


Gear head (dimensions)

Scale: 1/4, Unit: mm (inch)

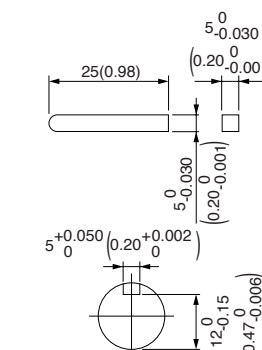
MZ9G□B (ball bearing / hinge not attached)
 Mass 1.4 kg (3.09 lb)

MY9G□B (ball bearing / hinge attached)
 Mass 1.4 kg (3.09 lb)



Key and keyway (dimensions) [attachment]

MZ9G□B
 MY9G□B



Note) MZ / MY is available for a gear head of either type.

(Note) Because the dimensions may be subject to change, also check the determinate dimensions if the gear head is to be used for design.

Electromagnetic brake 3-phase motor (leadwire)

US CE 90 mm (3.54 inch) sq. 90 W

Specifications

Size	Motor model No.	Number of pole (P)	Output (W)	Voltage (V)	Frequency (Hz)	Rating (min)	Rating				Starting current (A)	Starting torque N-m (oz-in)	Brake Input (W)	Brake Current (A)	Brake Friction Torque N-m (oz-in)
							Input (W)	Current (A)	Speed (r/min)	Torque N-m (oz-in)					
90 mm sq.	M9MZ90GB4YG M9MZ90GB4YGA	4	90	200	50	Cont.	142	0.62	1350	0.63 (89.2)	2.0	1.6 (227)	9	0.05	0.39 (55.2)
							138	0.56	1625	0.53 (75.1)	1.8	1.1 (156)	9	0.05	0.39 (55.2)
							220	0.56	1650	0.52 (73.6)	2.0	1.4 (198)	11	0.06	0.39 (55.2)
							230	0.58	1675	0.51 (72.2)	2.1	1.6 (227)	11	0.06	0.39 (55.2)

The specifications and wire connections of the round shaft motor are the same as those of the pinion shaft type. For the dimensional outline drawing, refer to page B-221.
The models with a motor model number to which "A" is suffixed are not sold or available in Japan.

Permissible torque at output shaft of gear head

The speed shown below is a calculated value based on the synchronous rotational speed. Depending on the load, the speed is less than the indicated value by 2% to 20%.

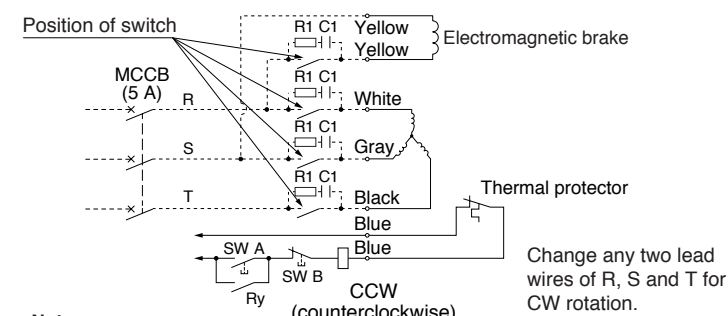
Unit of permissible torque: upper (N·m) / lower (lb·in)

Reduction ratio	Unit of permissible torque: upper (N·m) / lower (lb·in)																							
	3	3.6	5	6	7.5	9	10	12.5	15	18	20	25	30	36	50	60	75	90	100	120	150	180	200	
Speed (r/min)	50 Hz	500	416.7	300	250	200	166.7	150	120	100	83.3	75	60	50	41.7	30	25	20	16.7	15	12.5	10	8.3	7.5
Applicable gear head	50 Hz	MZ9G3B to MZ9G200B (ball bearing / hinge not attached)											19.6 (173)											
		MY9G3B to MY9G200B (ball bearing / hinge attached)											19.6 (173)											
Rotational direction	60 Hz	Same as motor rotational direction											Reverse to motor rotational direction											

Permissible torque at output shaft of gear head using decimal gear head

Applicable gear head		Reduction ratio	Permissible torque														
Bearing	Decimal gear head		Speed (r/min)	50 Hz	60 Hz	6	5	4.2	3	2.5	2	1.7	1.5	1.3	1	0.8	
MZ9G□B (ball bearing / hinge not attached)	MZ9G10XB	Permissible torque	N-m	19.6	19.6	19.6	19.6	19.6	19.6	19.6	19.6	19.6	19.6	19.6	19.6	19.6	
MY9G□B (ball bearing / hinge attached)			(lb-in)	(173)	(173)	(173)	(173)	(173)	(173)	(173)	(173)	(173)	(173)	(173)	(173)	(173)	(173)
Rotational direction			Reverse to motor rotational direction			Same as motor rotational direction											

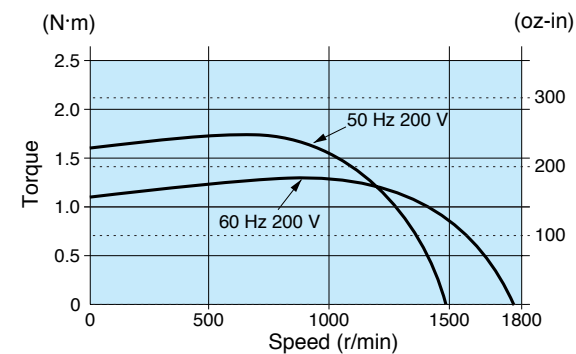
Connection diagram



<Note>
1. Brake will be activated and held when electromagnetic brake power is turned OFF.
2. Protect the contacts by inserting the spark-killer circuit (R1+C1) between the contacts. R1+C1 is provided as an option (DV0P008A, refer to page D-3).
3. Refer to page A-58 for connection of thermal protector.
4. Use a circuit breaker for the power supply.

Speed-torque characteristics

M9MZ90GB4YG(A)

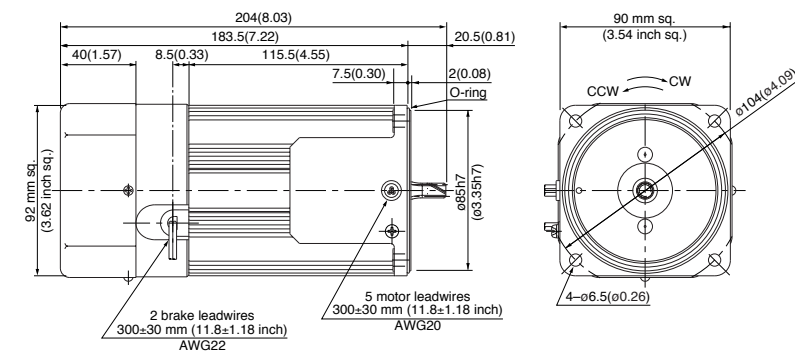


Motor (dimensions)

M9MZ90GB4YG(A) 4P 90 W 200 V / 220 V / 230 V (with fan)

Scale: 1/4, Unit: mm (inch)

Mass 3.8 kg 3.88 lb
Helical gear
Module 0.6
Number of teeth 9

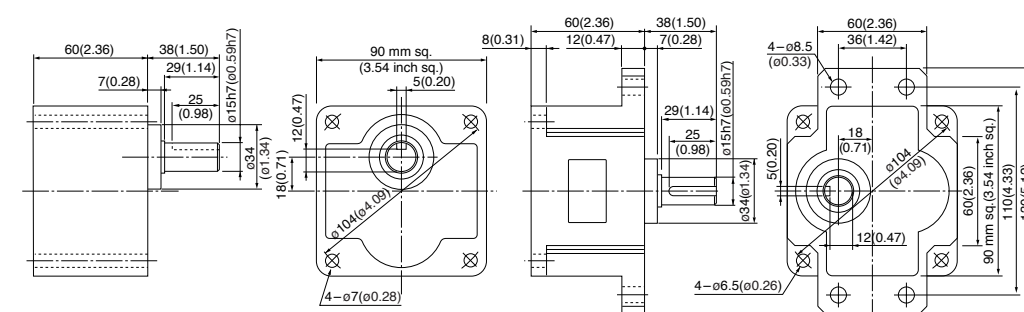


Gear head (dimensions)

Scale: 1/4, Unit: mm (inch)

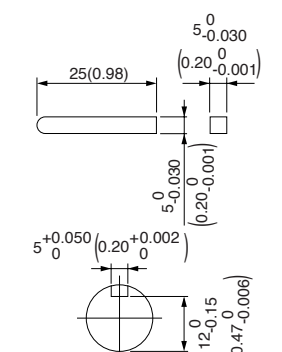
MZ9G□B (ball bearing / hinge not attached)
Mass 1.4 kg (3.09 lb)

MY9G□B (ball bearing / hinge attached)
Mass 1.4 kg (3.09 lb)



Key and keyway (dimensions) [attachment]

MZ9G□B
MY9G□B



Note) MZ / MY is available for a gear head of either type.

(Note) Because the dimensions may be subject to change, also check the determinate dimensions if the gear head is to be used for design.

Electromagnetic brake single-phase motor (leadwire)

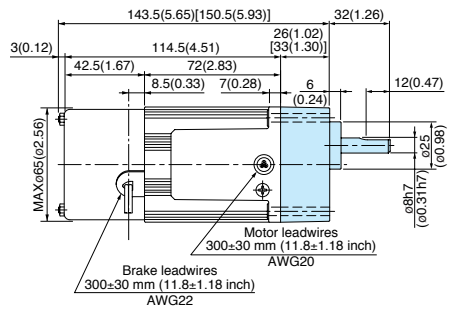
Gear head combination dimensions

Scale: 1/4, Unit: mm (inch)

* Gear head is sold separately.

60 mm sq. (2.36 inch sq.) 6 W

- M6RX6GB4L + MX6G□BA(MA) / MX6G□B(M)
- M6RX6GB4Y + MX6G□BA(MA) / MX6G□B(M)
- M6RX6GB4LG(A) + MX6G□BA(MA) / MX6G□B(M)
- M6RX6GB4DG(A) + MX6G□BA(MA) / MX6G□B(M)
- M6RX6GB4YG(A) + MX6G□BA(MA) / MX6G□B(M)
- M6RX6GB4GG(A) + MX6G□BA(MA) / MX6G□B(M)

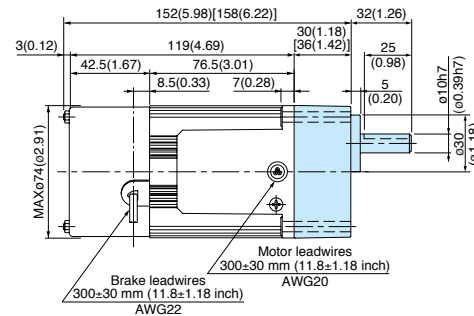


* Figures in [] represent the dimensions of MX6G□B (M) (1/30 or larger reduction ratio).

The model number of the gear head with a reduction ratio of 1/25 or smaller is MX6G□BA (MA).

70 mm sq. (2.76 inch sq.) 15 W

- M7RX15GB4L + MX7G□BA(MA) / MX7G□B(M)
- M7RX15GB4Y + MX7G□BA(MA) / MX7G□B(M)
- M7RX15GB4LG(A) + MX7G□BA(MA) / MX7G□B(M)
- M7RX15GB4DG(A) + MX7G□BA(MA) / MX7G□B(M)
- M7RX15GB4YG(A) + MX7G□BA(MA) / MX7G□B(M)
- M7RX15GB4GG(A) + MX7G□BA(MA) / MX7G□B(M)

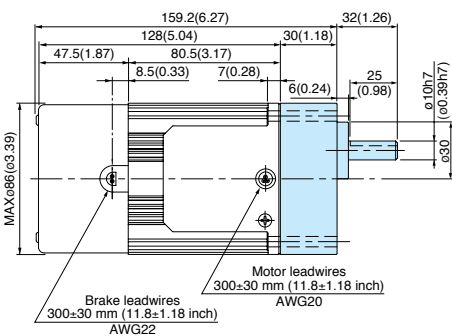


* Figures in [] represent the dimensions of MX7G□B (M) (1/30 or larger reduction ratio).

The model number of the gear head with a reduction ratio of 1/25 or smaller is MX7G□BA (MA).

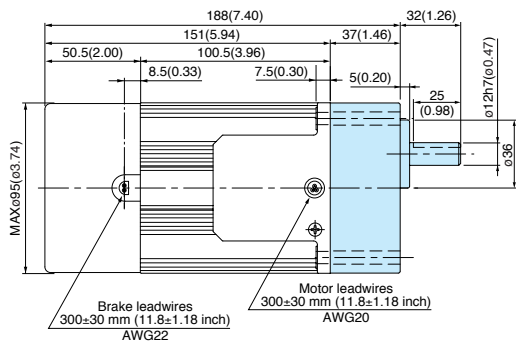
80 mm sq. (3.15 inch sq.) 25 W

- M8RX25GB4L + MX8G□B(M)
- M8RX25GB4Y + MX8G□B(M)
- M8RX25GB4LG(A) + MX8G□B(M)
- M8RX25GB4DG(A) + MX8G□B(M)
- M8RX25GB4YG(A) + MX8G□B(M)
- M8RX25GB4GG(A) + MX8G□B(M)



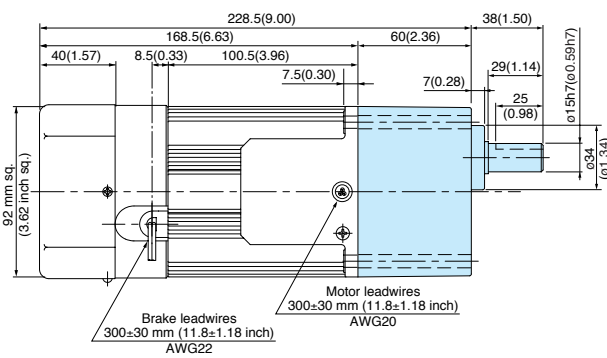
90 mm sq. (3.54 inch sq.) 40 W

- M9RX40GB4L + MX9G□B(M)
- M9RX40GB4Y + MX9G□B(M)
- M9RX40GB4LG(A) + MX9G□B(M)
- M9RX40GB4DG(A) + MX9G□B(M)
- M9RX40GB4YG(A) + MX9G□B(M)
- M9RX40GB4GG(A) + MX9G□B(M)



90 mm sq. (3.54 inch sq.) 60 W

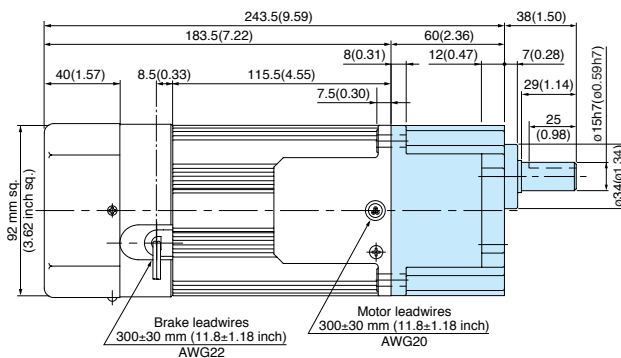
- M9RZ60GB4L + MZ9G□B (MY9G□B)
- M9RZ60GB4Y + MZ9G□B (MY9G□B)
- M9RZ60GB4LG(A) + MZ9G□B (MY9G□B)
- M9RZ60GB4DG(A) + MZ9G□B (MY9G□B)
- M9RZ60GB4YG(A) + MZ9G□B (MY9G□B)
- M9RZ60GB4GG(A) + MZ9G□B (MY9G□B)



* Refer to page B-444 for high torque gear head.

90 mm sq. (3.54 inch sq.) 90 W

- M9RZ90GB4L + MY9G□B (MZ9G□B)
- M9RZ90GB4Y + MY9G□B (MZ9G□B)
- M9RZ90GB4LG(A) + MY9G□B (MZ9G□B)
- M9RZ90GB4DG(A) + MY9G□B (MZ9G□B)
- M9RZ90GB4YG(A) + MY9G□B (MZ9G□B)
- M9RZ90GB4GG(A) + MY9G□B (MZ9G□B)



* Refer to page B-444 for high torque gear head.

* Please read your User's manual carefully so that you will understand the operation and safety precautions before attempting to operate the system.

Electromagnetic brake 3-phase motor (leadwire)

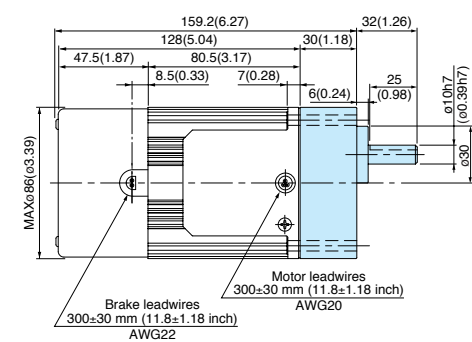
Gear head combination dimensions

Scale: 1/4, Unit: mm (inch)

* Gear head is sold separately.

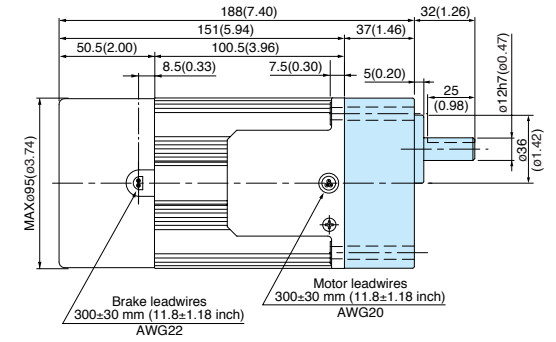
80 mm sq. (3.15 inch sq.) 25 W

- M8MX25GB4Y + MX8G□B(M)
- M8MX25GB4YG(A) + MX8G□B(M)



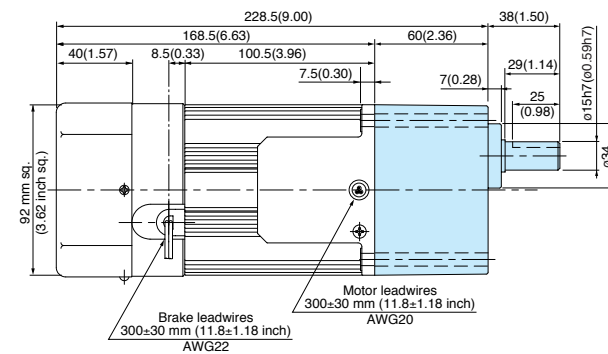
90 mm sq. (3.54 inch sq.) 40 W

- M9MX40GB4Y + MX9G□B(M)
- M9MX40GB4YG(A) + MX9G□B(M)



90 mm sq. (3.54 inch sq.) 60 W

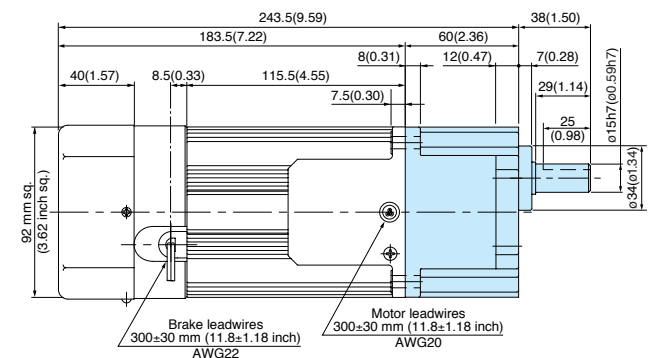
- M9MZ60GB4Y + MZ9G□B (MY9G□B)
- M9MZ60GB4YG(A) + MZ9G□B (MY9G□B)



* Refer to page B-444 for high torque gear head.

90 mm sq. (3.54 inch sq.) 90 W

- M9MZ90GB4Y + MY9G□B (MZ9G□B)
- M9MZ90GB4YG(A) + MY9G□B (MZ9G□B)



* Refer to page B-444 for high torque gear head.

* The models with a motor model number to which "A" is suffixed are not equipped with a capacitor cap.

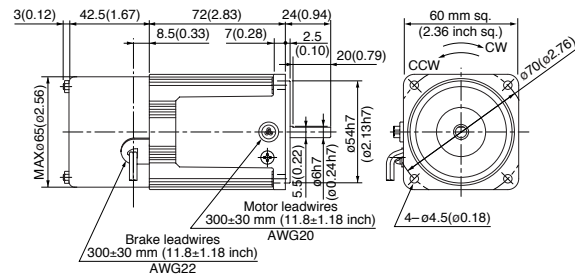
* The models with a motor model number to which "A" is suffixed are not sold or available in Japan.

(Note) Because the dimensions may be subject to change, also check the determinate dimensions if the gear head is to be used for design.

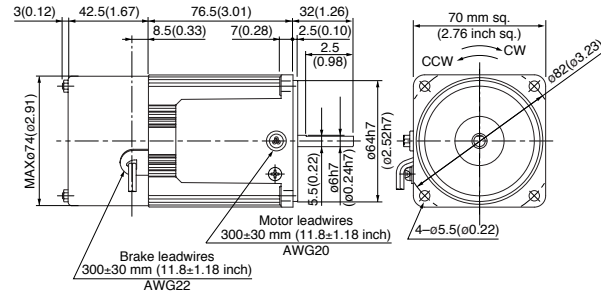
Electromagnetic brake single-phase motor (4-pole round shaft / leadwire)

Dimensions
Scale: 1/4, Unit: mm (inch)

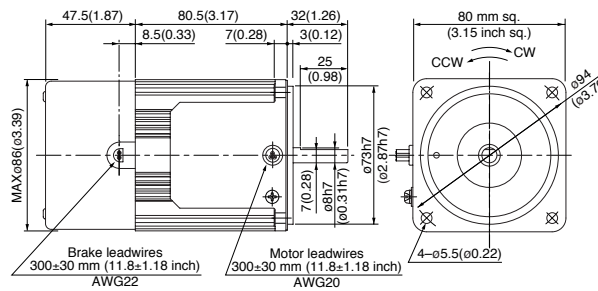
60 mm sq. (2.36 inch sq.) 6 W **Mass**
1.0 kg (2.20 lb)
M6RX6SB4LS M6RX6SB4LG(A)
M6RX6SB4YS M6RX6SB4DG(A)
M6RX6SB4YG(A)
M6RX6SB4GG(A)



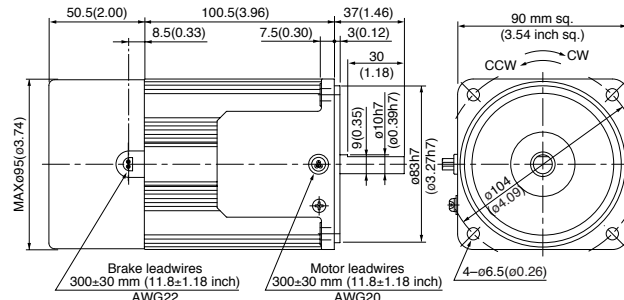
70 mm sq. (2.76 inch sq.) 15 W **Mass**
1.5 kg (3.31 lb)
M7RX15SB4LS M7RX15SB4LG(A)
M7RX15SB4YS M7RX15SB4DG(A)
M7RX15SB4YG(A)
M7RX15SB4GG(A)



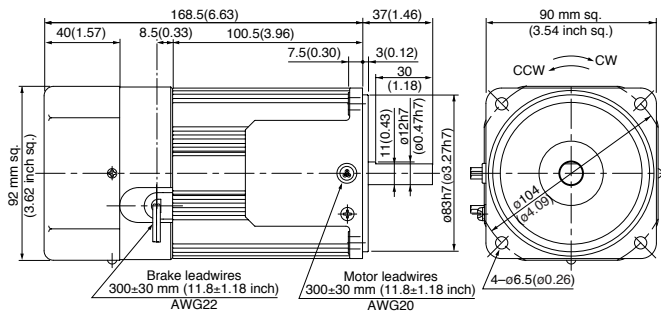
80 mm sq. (3.15 inch sq.) 25 W **Mass**
2.1 kg (4.63 lb)
M8RX25SB4LS M8RX25SB4LG(A)
M8RX25SB4YS M8RX25SB4DG(A)
M8RX25SB4YG(A)
M8RX25SB4GG(A)



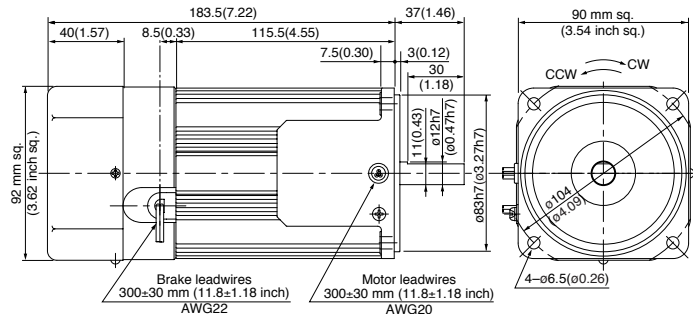
90 mm sq. (3.54 inch sq.) 40 W **Mass**
3.2 kg (7.05 lb)
M9RX40SB4LS M9RX40SB4LG(A)
M9RX40SB4YS M9RX40SB4DG(A)
M9RX40SB4YG(A)
M9RX40SB4GG(A)



90 mm sq. (3.54 inch sq.) 60 W **Mass**
3.4 kg (7.50 lb)
M9RZ60SB4LS (with fan) M9RZ60SB4LG(A) (with fan)
M9RZ60SB4YS (with fan) M9RZ60SB4DG(A) (with fan)
M9RZ60SB4YG(A) (with fan)
M9RZ60SB4GG(A) (with fan)



90 mm sq. (3.54 inch sq.) 90 W **Mass**
3.8 kg (8.38 lb)
M9RZ90SB4LS (with fan) M9RZ90SB4LG(A) (with fan)
M9RZ90SB4YS (with fan) M9RZ90SB4DG(A) (with fan)
M9RZ90SB4YG(A) (with fan)
M9RZ90SB4GG(A) (with fan)



* Please refer to the pinion shaft motor for wiring and specifications of the motor.

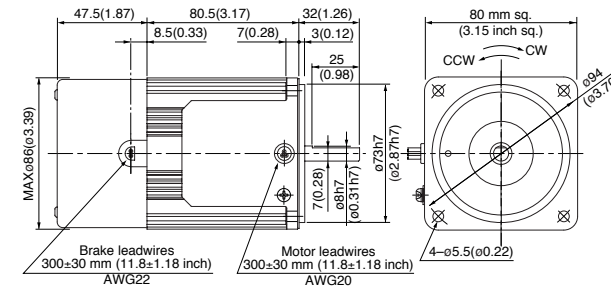
* The models with a motor model number to which "A" is suffixed are not equipped with a capacitor cap.
* The models with a motor model number to which "A" is suffixed are not sold or available in Japan.

* Please read your User's manual carefully so that you will understand the operation and safety precautions before attempting to operate the system.

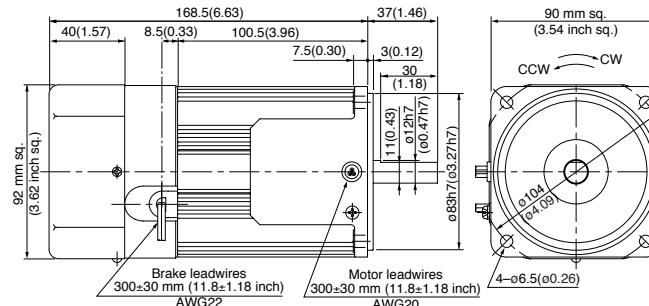
Electromagnetic brake 3-phase motor (4-pole round shaft / leadwire)

Dimensions
Scale: 1/4, Unit: mm (inch)

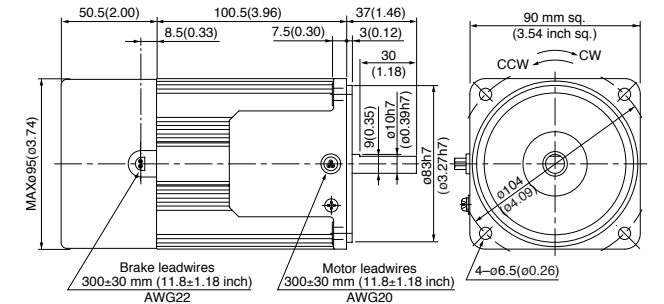
80 mm sq. (3.15 inch sq.) 25 W **Mass**
2.1 kg (4.63 lb)
M8MX25SB4YS
M8MX25SB4YG(A)



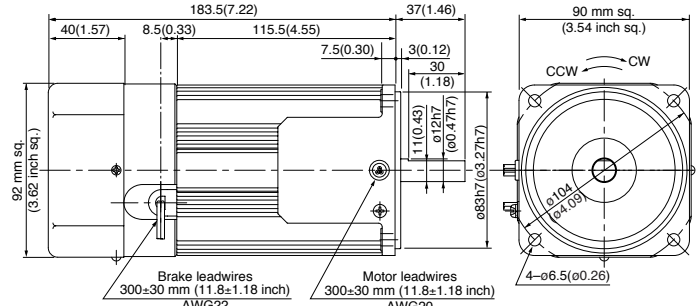
90 mm sq. (3.54 inch sq.) 60 W **Mass**
3.4 kg (7.50 lb)
M9MZ60SB4YS (with fan)
M9MZ60SB4YG(A) (with fan)



90 mm sq. (3.54 inch sq.) 40 W **Mass**
3.2 kg (7.05 lb)
M9MX40SB4YS
M9MX40SB4YG(A)



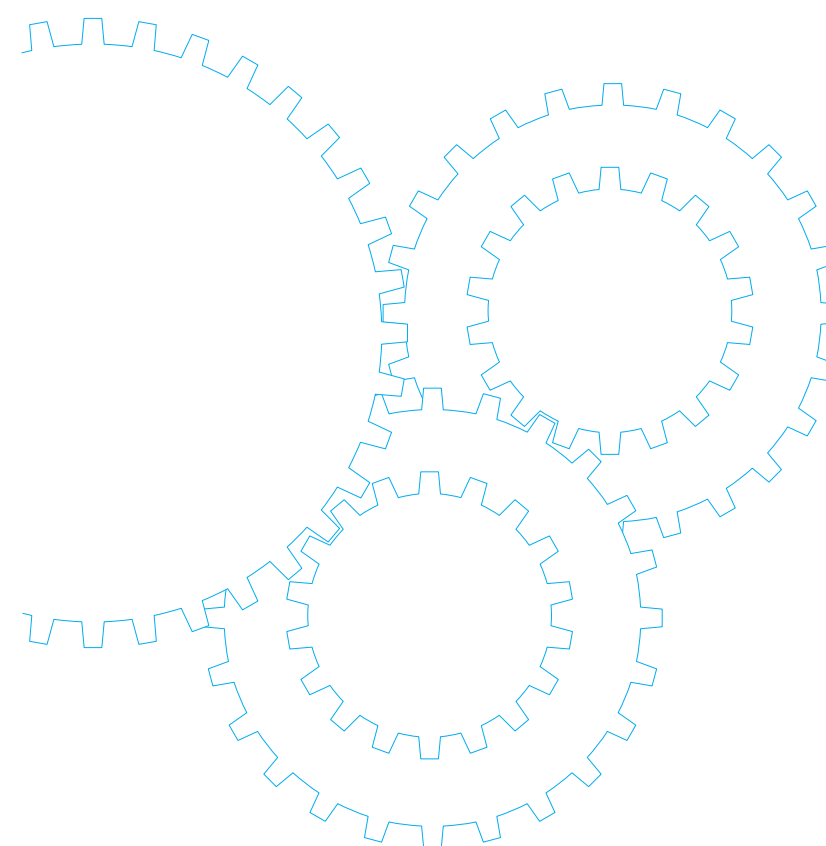
90 mm sq. (3.54 inch sq.) 90 W **Mass**
3.8 kg (8.38 lb)
M9MZ90SB4YS (with fan)
M9MZ90SB4YG(A) (with fan)



* Please refer to the pinion shaft motor for wiring and specifications of the motor.

(Note) Because the dimensions may be subject to change, also check the determinate dimensions if the gear head is to be used for design.

Variable Speed Induction Motor



Contents

• Motor Overview	B-224
• Model list	B-228
• Product information for each model	B-232
• Gear head combination dimensions	B-262
• Round shaft motor dimensions	B-264

Outline of variable speed induction motor

Features

- By using it together with a speed controller, you can vary the speed over a wider range (90 r/min to 1400 r/min for 50 Hz and 90 r/min to 1700 r/min for 60 Hz).
- Various functions such as variable speed, braking, normal/reverse run and soft-start/soft-stop are available.
- Feedback control with the built-in tachogenerator gives a constant speed despite of frequency change.
- The motor output is 3 W to 90 W.

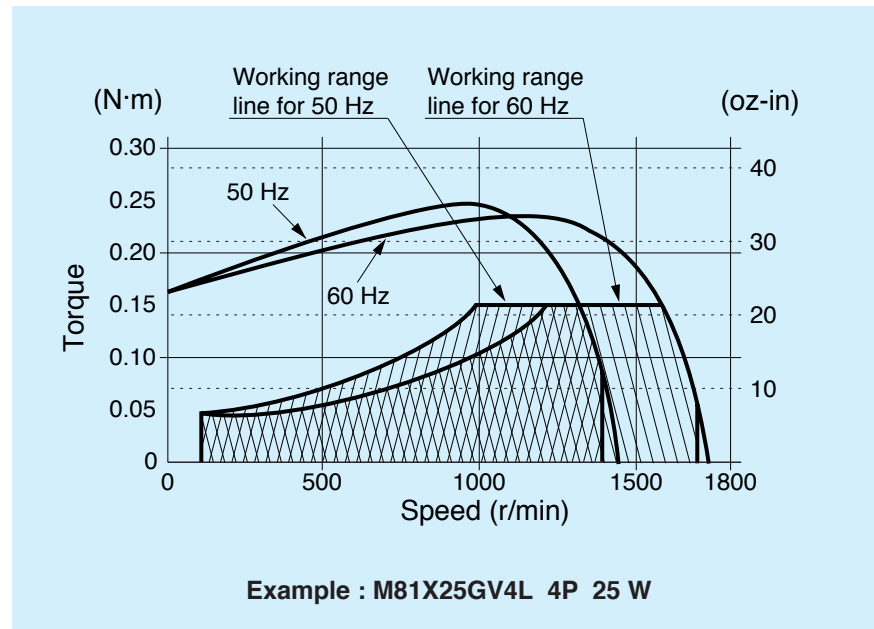
Note) Variable speed induction motor start-stop operation must not exceed 6-cycles per minute or damage may occur.

Working range

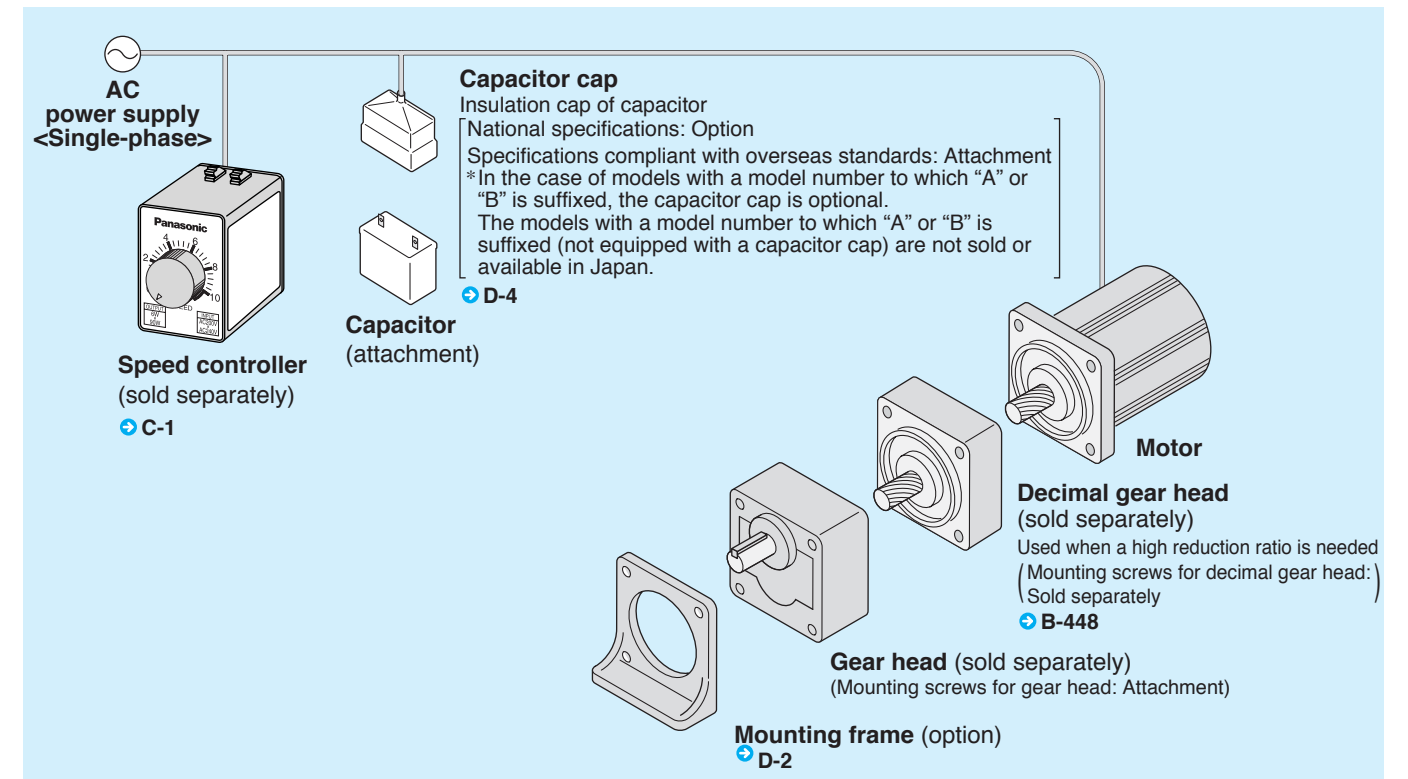
The working range line shows the working limit (at the constant rating) for the variable speed motor. The permissible torque should fall within the shaded portion.

If you use the motor with the permissible torque exceeding the working range line (falling within the portion not shaded), the motor may be burned out due to a high temperature rise or the gear tooth may be damaged.

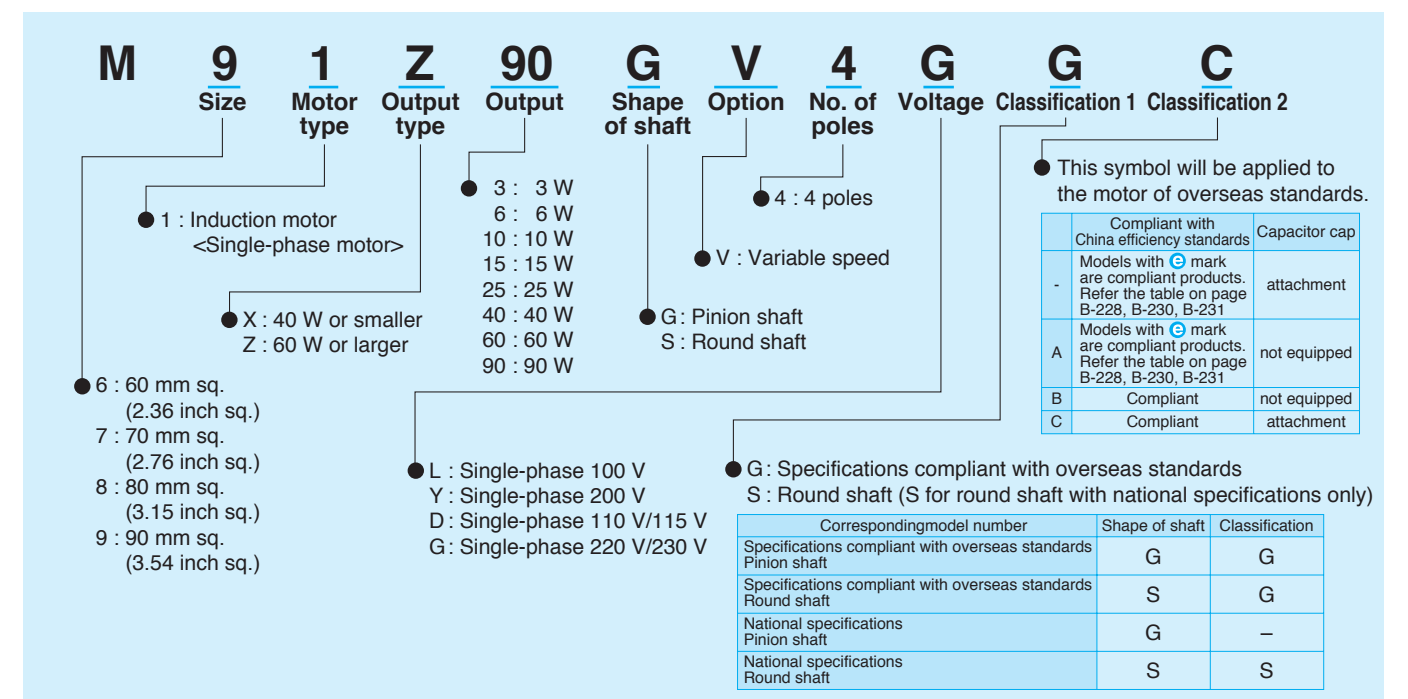
Working range line



System configuration diagram



Coding system



Fit tolerance

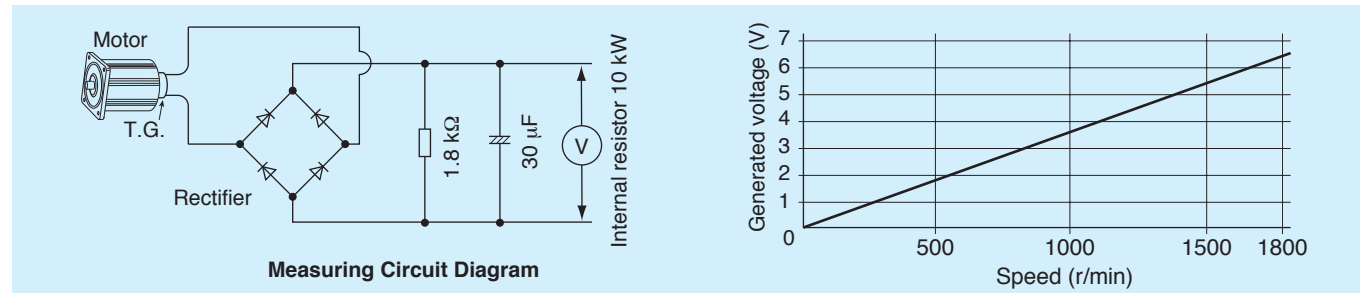
Fit tolerance symbol is used in the outside dimension diagram of motor and gear head. For further information, see "Fit tolerance" on page A-33.

Outline of variable speed induction motor

Voltage generation of tachogenerator

The tachogenerator attached directly to the variable speed motor generate a voltage almost in proportion to the motor speed as shown in the figure below. (You can measure it with an AC tester simply.)

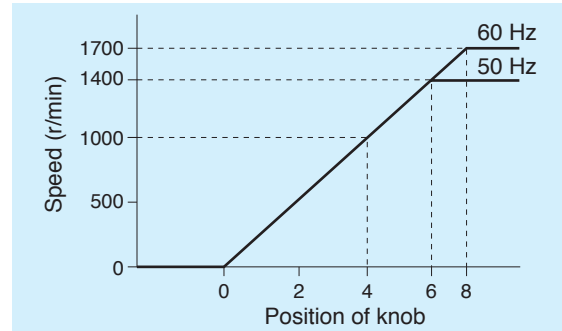
Voltage generation of tachogenerator



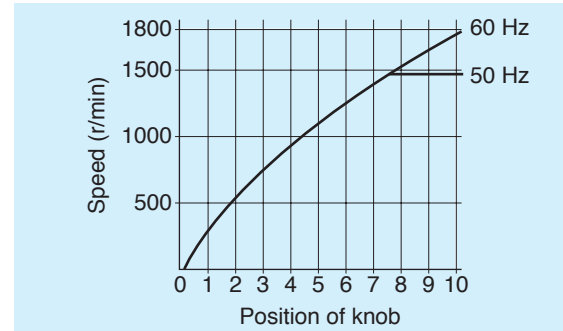
Setting of Speed

In the case of the MGSD type, the built-in speed reference is used to set the speed. In the case of the EX type, the external speed reference is used to set the speed. The figure below shows an example of the relation between the position of the speed setting knob and the speed of the motor. (Note that there is an approx. 10 % fluctuation due to variations in the voltage generation of the circuit and tachogenerator.)

MGSD type



EX type

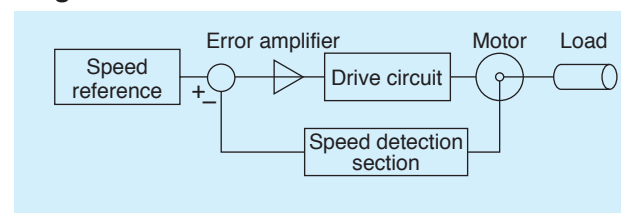


Principle of closed loop system speed control

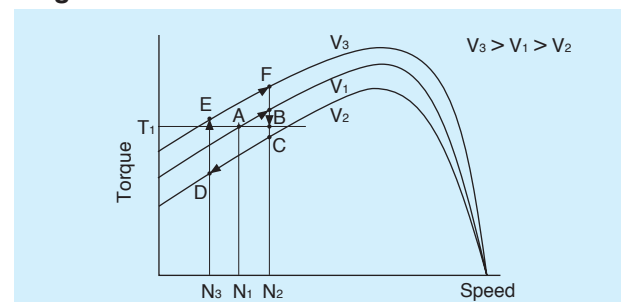
The closed loop system speed control is described below according to Fig. 1. The motor speed is converted to a corresponding voltage in the speed detection section and compared with the voltage set in the speed setting section. The difference between them is called an error voltage. Based on the error voltage, the motor is driven through the error amplifier and drive circuit. Because the error voltage is controlled practically to zero, the speed is determined by the value set in the speed setting section. Therefore the speed scarcely changes even if the load changes, and the speed changes according to the speed setting when the setting is changed.

In the case of the closed loop system speed control, as described above, the motor speed is detected and the drive voltage is controlled so as to keep the speed constant.

• Fig. 1



• Fig. 2



Primary voltage control through closed loop

Fig. 2 shows the relation between the motor torque and speed when the voltage (primary voltage) applied to the motor is changed. Assume that the voltage is V_1 , the load torque is T_1 and the resulting speed is N_1 . If the motor is being accelerated at this point A, when the voltage is changed from V_1 to V_2 with the motor status at point B, the motor status moves to point C. Because load torque T_1 is larger than the motor torque at point C, the speed is reduced from N_2 .

When the voltage is increased to V_3 with the speed being N_3 , because the motor status moves to point E, the applied torque becomes larger than the load torque and the motor is accelerated again toward point F. By controlling the primary voltage so as to making this loop "C → D → E → F" sufficiently small and producing it continuously, a stable rotation can be obtained. In the case of the primary voltage control through closed loop, the motor speed is detected and the speed is kept constant by controlling the primary voltage according to the change of the speed.

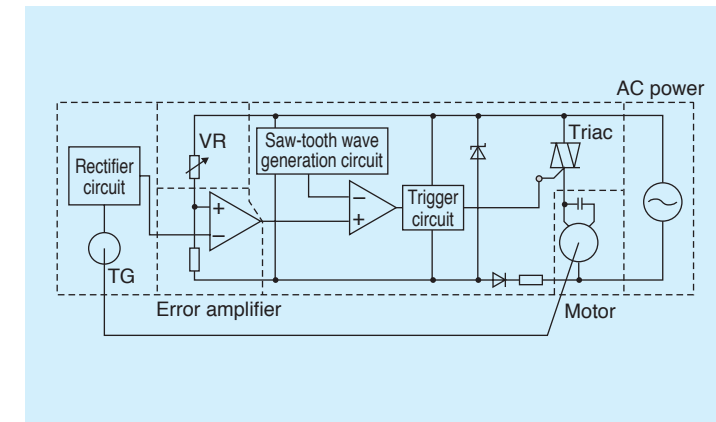
Operation of speed controller

The operation of our speed controller is described below using Fig. 3. The motor speed is detected by the tachometer generator TG and the feedback voltage is obtained through the rectifier circuit.

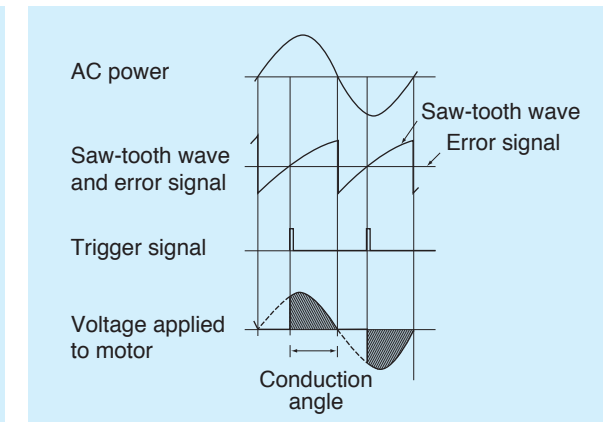
The difference between the voltage set with the VR and the feedback voltage is amplified by the error amplifier. Based on the saw-tooth wave obtained from the saw-tooth wave generation circuit and the error signal, the trigger signal of the triac is generated through the comparator and trigger circuit. The conduction angle of the triac is controlled with the trigger signal to adjust the voltage applied to the motor.

As a result, the motor is controlled so as to keep the speed constant. (Refer to Fig. 4.)

• Fig. 3



• Fig. 4




Model list of variable speed induction motor

Pinion shaft motor

Applicable gear head

★ Motor compliant with overseas standards Ⓜ Motor compliant with China efficiency standards c    

 Hinge attached

Size	Output (W)	Leadwire type			Standard gear head		High torque gear head	Right-angle gear head	Gear head -Inch (U.S.A.)	Decimal gear head
		Model number	Specifications	Page	Ball bearing	metal bearing				
60 mm sq. (2.36 inch sq.)	3	M61X3GV4L	100 V	B-232	-	-	-	-	MX6G□BU	MX6G10XB
		M61X6GV4L	100 V	B-234						
	6	M61X6GV4Y	200 V	B-234						
		M61X6GV4LG(A)	100 V	★ B-236						
		M61X6GV4DG(A)	110 V/115 V	★ B-236						
		M61X6GV4YG(A)	200 V	★ B-236						
		M61X6GV4GG(A)	220 V/230 V	★ B-236						
70 mm sq. (2.76 inch sq.)	10	M71X10GV4L	100 V	B-238						
		M71X10GV4Y	200 V	B-238						
	15	M71X15GV4L	100 V	B-240						
		M71X15GV4Y	200 V	B-240						
		M71X15GV4LG(A)	100 V	★ B-242						
		M71X15GV4DG(A)	110 V/115 V	★ B-242						
		M71X15GV4YG(A)	200 V	★ B-242						
M71X15GV4GG(A)	220 V/230 V	★ Ⓜ B-242								
80 mm sq. (3.15 inch sq.)	15	M81X15GV4L	100 V	B-244						
		M81X15GV4Y	200 V	B-244						
	25	M81X25GV4L	100 V	B-246						
		M81X25GV4Y	200 V	B-246						
		M81X25GV4LG(A)	100 V	★ B-248						
		M81X25GV4DG(A)	110 V/115 V	★ B-248						
		M81X25GV4YG(A)	200 V	★ B-248						
M81X25GV4GG(A)	220 V/230 V	★ Ⓜ B-248								
90 mm sq. (3.54 inch sq.)	40	M91X40GV4L	100 V	B-250						
		M91X40GV4Y	200 V	B-250						
		M91X40GV4LG(A)	100 V	★ B-252						
		M91X40GV4DG(A)	110 V/115 V	★ B-252						
		M91X40GV4YG(A)	200 V	★ B-252						
		M91X40GV4GG(A)	220 V/230 V	★ Ⓜ B-252						
	60	M91Z60GV4L	100 V	B-254						
		M91Z60GV4Y	200 V	B-254						
		M91Z60GV4LG(A)	100 V	★ B-256						
		M91Z60GV4DG(A)	110 V/115 V	★ B-256						
		M91Z60GV4YG(A)	200 V	★ B-256						
		M91Z60GV4GG(A)	220 V/230 V	★ B-256						
		M91Z60GV4GGB	220 V/230 V	★ Ⓜ B-256						
	M91Z60GV4GGC	220 V/230 V	★ Ⓜ B-256							
	90	M91Z90GV4L	100 V	B-258						
M91Z90GV4Y		200 V	B-258							
M91Z90GV4LG(A)		100 V	★ B-260							
M91Z90GV4DG(A)		110 V/115 V	★ B-260							
M91Z90GV4YG(A)		200 V	★ B-260							
M91Z90GV4GG(A)		220 V/230 V	★ B-260							
M91Z90GV4GGB		220 V/230 V	★ Ⓜ B-260							
M91Z90GV4GGC	220 V/230 V	★ Ⓜ B-260								

* The models with a motor model number to which "A" or "B" is suffixed are not equipped with a capacitor cap. The models with a motor model number to which "A" or "B" is suffixed are not sold or available in Japan.

* Refer to page B-444 for dimensions and permissible torque of high torque gear head.
 Refer to page B-446 for dimensions and permissible torque of right-angle gear head.
 Refer to page B-451 for dimensions and permissible torque of gear head -Inch (U.S.A.).
 Refer to page B-448 for dimensions of decimal gear head.

Model list of variable speed induction motor

Round shaft motor

★ Motor compliant with overseas standards e Motor compliant with China efficiency standards c    

Size	Output (W)	Leadwire type	
		Model number	Specifications
60 mm sq. (2.36 inch sq.)	3	M61X3SV4LS	100 V
	6	M61X6SV4LS	100 V
		M61X6SV4YS	200 V
		M61X6SV4LG(A)	100 V ★
		M61X6SV4DG(A)	110 V/115 V ★
		M61X6SV4YG(A)	200 V ★
M61X6SV4GG(A)	220 V/230 V ★		
70 mm sq. (2.76 inch sq.)	10	M71X10SV4LS	100 V
		M71X10SV4YS	200 V
	15	M71X15SV4LS	100 V
		M71X15SV4YS	200 V
		M71X15SV4LG(A)	100 V ★
		M71X15SV4DG(A)	110 V/115 V ★
M71X15SV4YG(A)	200 V ★		
M71X15SV4GG(A)	220 V/230 V ★ e		
80 mm sq. (3.15 inch sq.)	15	M81X15SV4LS	100 V
		M81X15SV4YS	200 V
	25	M81X25SV4LS	100 V
		M81X25SV4YS	200 V
		M81X25SV4LG(A)	100 V ★
		M81X25SV4DG(A)	110 V/115 V ★
M81X25SV4YG(A)	200 V ★		
M81X25SV4GG(A)	220 V/230 V ★ e		
90 mm sq. (3.54 inch sq.)	40	M91X40SV4LS	100 V
		M91X40SV4YS	200 V
		M91X40SV4LG(A)	100 V ★
		M91X40SV4DG(A)	110 V/115 V ★
		M91X40SV4YG(A)	200 V ★
		M91X40SV4GG(A)	220 V/230 V ★ e
	60	M91Z60SV4LS	100 V
		M91Z60SV4YS	200 V
		M91Z60SV4LG(A)	100 V ★
		M91Z60SV4DG(A)	110 V/115 V ★
		M91Z60SV4YG(A)	200 V ★
		M91Z60SV4GG(A)	220 V/230 V ★
	M91Z60SV4GGB	220 V/230 V ★ e	
	M91Z60SV4GGC	220 V/230 V ★ e	
	90	M91Z90SV4LS	100 V
		M91Z90SV4YS	200 V
		M91Z90SV4LG(A)	100 V ★
		M91Z90SV4DG(A)	110 V/115 V ★
M91Z90SV4YG(A)		200 V ★	
M91Z90SV4GG(A)		220 V/230 V ★	
M91Z90SV4GGB	220 V/230 V ★ e		
M91Z90SV4GGC	220 V/230 V ★ e		

* The specifications and wire connections of the round shaft motor are the same as those of the pinion shaft motor. Dimensional outline drawing → Page B-264.

* The models with a motor model number to which "A" or "B" is suffixed are not equipped with a capacitor cap. The models with a motor model number to which "A" or "B" is suffixed are not sold or available in Japan.

Possible combination of speed controller and motor

Size	Output (W)	Motor			Voltage (V)	Speed controller	
		Certified	Pinion shaft type	Round shaft type		MGSD type	EX type
60 mm sq. (2.36 inch sq.)	3	-----	M61X3GV4L	M61X3SV4LS	100	MGSDA1 ★	DV1131
	6	-----	M61X6GV4L	M61X6SV4LS	100	MGSDA1 ★	DV1131
		-----	M61X6GV4Y	M61X6SV4YS	200	MGSDA1 ★	DV1231
		★	M61X6GV4LG(A)	M61X6SV4LG(A)	100	MGSDA1 ★	-----
		★	M61X6GV4DG(A)	M61X6SV4DG(A)	110/115	MGSDA1 ★	-----
		★	M61X6GV4YG(A)	M61X6SV4YG(A)	200	MGSDA1 ★	-----
★	M61X6GV4GG(A)	M61X6SV4GG(A)	220/230	MGSDA1 ★	-----		
70 mm sq. (2.76 inch sq.)	10	-----	M71X10GV4L	M71X10SV4LS	100	MGSDA1 ★	DV1131
		-----	M71X10GV4Y	M71X10SV4YS	200	MGSDA1 ★	DV1231
	15	-----	M71X15GV4L	M71X15SV4LS	100	MGSDA1 ★	DV1132
		-----	M71X15GV4Y	M71X15SV4YS	200	MGSDA1 ★	DV1231
		★	M71X15GV4LG(A)	M71X15SV4LG(A)	100	MGSDA1 ★	-----
		★	M71X15GV4DG(A)	M71X15SV4DG(A)	110/115	MGSDA1 ★	-----
★	M71X15GV4YG(A)	M71X15SV4YG(A)	200	MGSDA1 ★	-----		
★ e	M71X15GV4GG(A)	M71X15SV4GG(A)	220/230	MGSDA1 ★	-----		
80 mm sq. (3.15 inch sq.)	15	-----	M81X15GV4L	M81X15SV4LS	100	MGSDA1 ★	DV1132
		-----	M81X15GV4Y	M81X15SV4YS	200	MGSDA1 ★	DV1231
	25	-----	M81X25GV4L	M81X25SV4LS	100	MGSDA1 ★	DV1132
		-----	M81X25GV4Y	M81X25SV4YS	200	MGSDA1 ★	DV1234
		★	M81X25GV4LG(A)	M81X25SV4LG(A)	100	MGSDA1 ★	-----
		★	M81X25GV4DG(A)	M81X25SV4DG(A)	110/115	MGSDA1 ★	-----
★	M81X25GV4YG(A)	M81X25SV4YG(A)	200	MGSDA1 ★	-----		
★ e	M81X25GV4GG(A)	M81X25SV4GG(A)	220/230	MGSDA1 ★	-----		
90 mm sq. (3.54 inch sq.)	40	-----	M91X40GV4L	M91X40SV4LS	100	MGSDA1 ★	DV1132
		-----	M91X40GV4Y	M91X40SV4YS	200	MGSDA1 ★	DV1234
		★	M91X40GV4LG(A)	M91X40SV4LG(A)	100	MGSDA1 ★	-----
		★	M91X40GV4DG(A)	M91X40SV4DG(A)	110/115	MGSDA1 ★	-----
		★	M91X40GV4YG(A)	M91X40SV4YG(A)	200	MGSDA1 ★	-----
		★ e	M91X40GV4GG(A)	M91X40SV4GG(A)	220/230	MGSDA1 ★	-----
	60	-----	M91Z60GV4L	M91Z60SV4LS	100	MGSDA1 ★	DV1134
		-----	M91Z60GV4Y	M91Z60SV4YS	200	MGSDA1 ★	DV1234
		★	M91Z60GV4LG(A)	M91Z60SV4LG(A)	100	MGSDA1 ★	-----
		★	M91Z60GV4DG(A)	M91Z60SV4DG(A)	110/115	MGSDA1 ★	-----
		★	M91Z60GV4YG(A)	M91Z60SV4YG(A)	200	MGSDA1 ★	-----
		★	M91Z60GV4GG(A)	M91Z60SV4GG(A)	220/230	MGSDA1 ★	-----
90	-----	M91Z90GV4L	M91Z90SV4LS	100	MGSDA1 ★	DV1134	
	-----	M91Z90GV4Y	M91Z90SV4YS	200	MGSDA1 ★	DV1234	
	★	M91Z90GV4LG(A)	M91Z90SV4LG(A)	100	MGSDA1 ★	-----	
	★	M91Z90GV4DG(A)	M91Z90SV4DG(A)	110/115	MGSDA1 ★	-----	
	★	M91Z90GV4YG(A)	M91Z90SV4YG(A)	200	MGSDA1 ★	-----	
	★	M91Z90GV4GG(A)	M91Z90SV4GG(A)	220/230	MGSDA1 ★	-----	
★ e	M91Z90GV4GGB	M91Z90SV4GGB	220/230	MGSDA1 ★	-----		
★ e	M91Z90GV4GGC	M91Z90SV4GGC	220/230	MGSDA1 ★	-----		

* When using a speed controller operative under a wide range of supply voltage (MGSD), the mating motor should be selected according to the voltage of the power supply to be used.

★ Motor compliant with overseas standards e Motor compliant with China efficiency standards: c    

★ MGSD speed controllers are compliant with c   and .

* The models with a motor model number to which "A" or "B" is suffixed are not equipped with a capacitor cap. The models with a motor model number to which "A" or "B" is suffixed are not sold or available in Japan.

Specifications

Size	Motor model No.	Number of pole (P)	Output (W)	Voltage (V)	Frequency (Hz)	Rating (min)	Variable speed range		Permissible Torque N·m (oz·in)		Starting current (A)	Starting torque N·m (oz·in)	Capacitor (μF) (rated voltage)
							Speed (r/min)	at 1200 r/min	at 90 r/min	at 1200 r/min			
60 mm sq.	M61X3GV4L	4	3	100	50	Cont.	90 to 1400	0.018 (2.55)	0.018 (2.55)	0.21	0.026 (3.68)	2 (200 V)	
					60		90 to 1700	0.018 (2.55)	0.018 (2.55)	0.21	0.026 (3.68)		

* The specifications and wire connections of the round shaft motor are the same as those of the pinion shaft type. For the dimensional outline drawing, refer to page B-264.

Permissible torque at output shaft of gear head

Unit of permissible torque: upper (N·m) / lower (lb·in)

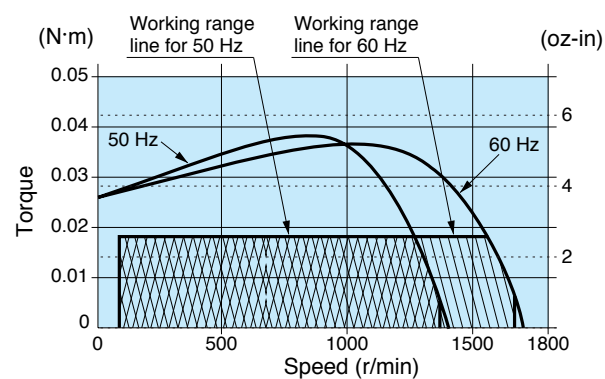
Applicable gear head Bearing	Reduction Ratio	Speed	Permissible Torque																					
			3	3.6	5	6	7.5	9	10	12.5	15	18	20	25	30	36	50	60	75	90	100	120	150	180
MX6G□BA (ball bearing)	1200 r/min	50 Hz	0.044 (0.39)	0.052 (0.46)	0.073 (0.65)	0.088 (0.78)	0.11 (0.97)	0.13 (1.15)	0.14 (1.24)	0.18 (1.59)	0.22 (2.30)	0.26 (2.57)	0.29 (3.23)	0.365 (3.45)	0.39 (4.16)	0.47 (5.75)	0.65 (6.90)	0.78 (8.67)	0.98 (10.4)	1.18 (11.6)	1.31 (13.9)	1.57 (17.3)	1.96 (20.8)	2.35 (25.8)
		60 Hz	0.044 (0.39)	0.052 (0.46)	0.073 (0.65)	0.088 (0.78)	0.11 (0.97)	0.13 (1.15)	0.14 (1.24)	0.18 (1.59)	0.22 (2.30)	0.26 (2.57)	0.29 (3.23)	0.365 (3.45)	0.39 (4.16)	0.47 (5.75)	0.65 (6.90)	0.78 (8.67)	0.98 (10.4)	1.18 (12.2)	1.38 (13.9)	1.57 (17.3)	1.96 (20.8)	2.35 (25.8)
MX6G□B (ball bearing)	90 r/min	50 Hz	0.044 (0.39)	0.052 (0.46)	0.073 (0.65)	0.088 (0.78)	0.11 (0.97)	0.13 (1.15)	0.14 (1.24)	0.18 (1.59)	0.22 (2.30)	0.26 (2.57)	0.29 (3.23)	0.365 (3.45)	0.39 (4.16)	0.47 (5.75)	0.65 (6.90)	0.78 (8.67)	0.98 (10.4)	1.18 (12.2)	1.38 (13.9)	1.57 (17.3)	1.96 (20.8)	2.35 (25.8)
MX6G□MA (metal bearing)		60 Hz	0.044 (0.39)	0.052 (0.46)	0.073 (0.65)	0.088 (0.78)	0.11 (0.97)	0.13 (1.15)	0.14 (1.24)	0.18 (1.59)	0.22 (2.30)	0.26 (2.57)	0.29 (3.23)	0.365 (3.45)	0.39 (4.16)	0.47 (5.75)	0.65 (6.90)	0.78 (8.67)	0.98 (10.4)	1.18 (12.2)	1.38 (13.9)	1.57 (17.3)	1.96 (20.8)	2.35 (25.8)
MX6G□M (metal bearing)	Rotational direction		Same as motor rotational direction											Reverse to motor rotational direction										

Permissible torque at output shaft of gear head using decimal gear head

Unit of permissible torque: upper (N·m) / lower (lb·in)

Applicable gear head Bearing	Decimal gear head	Reduction Ratio	Speed	Permissible Torque																				
				200	250	300	360	500	600	750	900	1000	1200	1500	1800									
MX6G□BA (ball bearing)	MX6G10XB	1200 r/min	50 Hz	2.34 (20.7)	2.45 (21.7)	2.45 (21.7)	2.45 (21.7)	2.45 (21.7)	2.45 (21.7)	2.45 (21.7)	2.45 (21.7)	2.45 (21.7)	2.45 (21.7)	2.45 (21.7)	2.45 (21.7)	2.45 (21.7)	2.45 (21.7)	2.45 (21.7)	2.45 (21.7)	2.45 (21.7)	2.45 (21.7)	2.45 (21.7)	2.45 (21.7)	2.45 (21.7)
			60 Hz	2.34 (20.7)	2.45 (21.7)	2.45 (21.7)	2.45 (21.7)	2.45 (21.7)	2.45 (21.7)	2.45 (21.7)	2.45 (21.7)	2.45 (21.7)	2.45 (21.7)	2.45 (21.7)	2.45 (21.7)	2.45 (21.7)	2.45 (21.7)	2.45 (21.7)	2.45 (21.7)	2.45 (21.7)	2.45 (21.7)	2.45 (21.7)	2.45 (21.7)	2.45 (21.7)
MX6G□B (ball bearing)	90 r/min	50 Hz	2.34 (20.7)	2.45 (21.7)	2.45 (21.7)	2.45 (21.7)	2.45 (21.7)	2.45 (21.7)	2.45 (21.7)	2.45 (21.7)	2.45 (21.7)	2.45 (21.7)	2.45 (21.7)	2.45 (21.7)	2.45 (21.7)	2.45 (21.7)	2.45 (21.7)	2.45 (21.7)	2.45 (21.7)	2.45 (21.7)	2.45 (21.7)	2.45 (21.7)	2.45 (21.7)	2.45 (21.7)
MX6G□MA (metal bearing)		60 Hz	2.34 (20.7)	2.45 (21.7)	2.45 (21.7)	2.45 (21.7)	2.45 (21.7)	2.45 (21.7)	2.45 (21.7)	2.45 (21.7)	2.45 (21.7)	2.45 (21.7)	2.45 (21.7)	2.45 (21.7)	2.45 (21.7)	2.45 (21.7)	2.45 (21.7)	2.45 (21.7)	2.45 (21.7)	2.45 (21.7)	2.45 (21.7)	2.45 (21.7)	2.45 (21.7)	2.45 (21.7)
MX6G□M (metal bearing)	Rotational direction		Same as motor rotational direction											Reverse to motor rotational direction										

Speed-torque characteristics



Connection diagram

* For the connection diagram showing wiring with the speed controller, refer to pages C-6 to C-20.

* Working range line

The working range line shows the working limit for the variable speed motor. The permissible torque should fall within the shaded portion. If you use the motor with the permissible torque exceeding the working range line (falling within the portion not shaded), the motor may be burned out due to a high temperature rise or the gear tooth may be damaged.

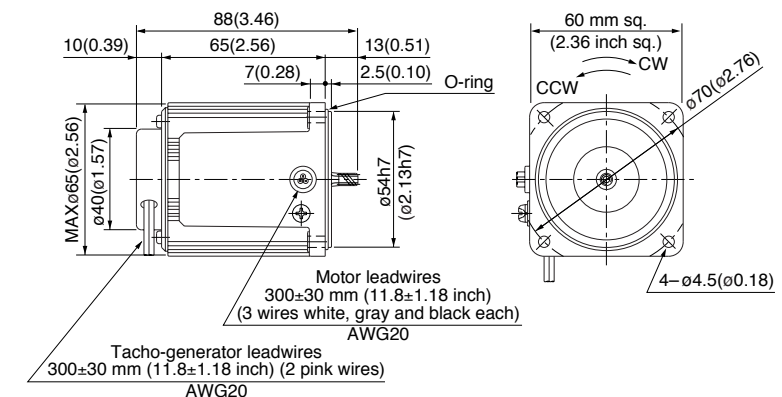
* Please read your User's manual carefully so that you will understand the operation and safety precautions before attempting to operate the system.

Motor (dimensions)

Scale: 1/3, Unit: mm (inch)

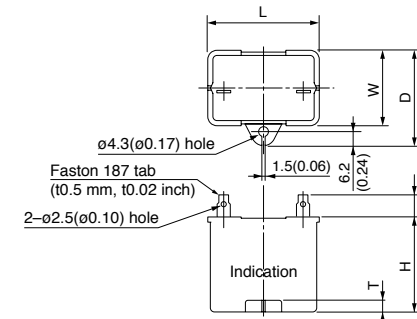
M61X3GV4L 4P 3W 100V

Mass	Helical gear	Module	Number of teeth
0.60 kg 1.32 lb		0.5	6



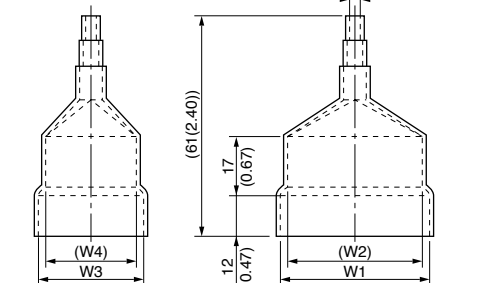
Capacitor (dimensions) [attachment]

Unit: mm (inch)



Capacitor cap (dimensions) [option]

Unit: mm (inch)



Capacitor dimension list

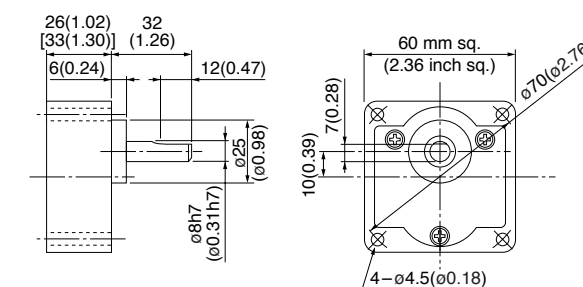
Unit: upper (mm) / lower (inch)

Model number of motor	Model number of capacitor (attachment)	L	W	D	H	T	Capacitor cap (option)	W1	W2	W3	W4
M61X3GV4L	M0PC2M20	39.5 (1.56)	16 (0.63)	26.5 (1.04)	30.5 (1.20)	4 (0.16)	M0PC3917	39.5 (1.56)	37.5 (1.48)	17 (0.67)	15 (0.59)

Gear head (dimensions)

Scale: 1/3, Unit: mm (inch)

MX6G□BA (ball bearing) Mass 0.24 kg (0.53 lb): Output shaft D cut
 MX6G□MA (metal bearing) Mass 0.24 kg (0.53 lb): Output shaft D cut
 MX6G□B (ball bearing) Mass 0.3 kg (0.66 lb): Output shaft D cut
 MX6G□M (metal bearing) Mass 0.3 kg (0.66 lb): Output shaft D cut



* Figures in [] represent the dimensions of MX6G□B (M) (1/30 or larger reduction ratio).

(The model number of the gear head with a reduction ratio of 1/25 or smaller is MX6G□BA (MA).)

(Note) Because the dimensions may be subject to change, also check the determinate dimensions if the gear head is to be used for design.

Specifications

Size	Motor model No.	Number of pole (P)	Output (W)	Voltage (V)	Frequency (Hz)	Rating (min)	Variable speed range		Permissible Torque N·m (oz·in)		Starting current (A)	Starting torque N·m (oz·in)	Capacitor (μF) (rated voltage)
							Speed (r/min)	at 1200 r/min	at 90 r/min				
□60	M61X6GV4L	4	6	100	50	Cont.	90 to 1400	0.032 (4.53)	0.025 (3.54)	0.30	0.037 (5.24)	2.5 (200 V)	
							90 to 1700	0.032 (4.53)	0.025 (3.54)	0.30	0.037 (5.24)		
	M61X6GV4Y	4	6	200	50	Cont.	90 to 1400	0.032 (4.53)	0.025 (3.54)	0.15	0.037 (5.24)	0.6 (400 V)	
							90 to 1700	0.032 (4.53)	0.025 (3.54)	0.15	0.037 (5.24)		

* The specifications and wire connections of the round shaft motor are the same as those of the pinion shaft type. For the dimensional outline drawing, refer to page B-264.

Permissible torque at output shaft of gear head

Unit of permissible torque: upper (N·m) / lower (lb·in)

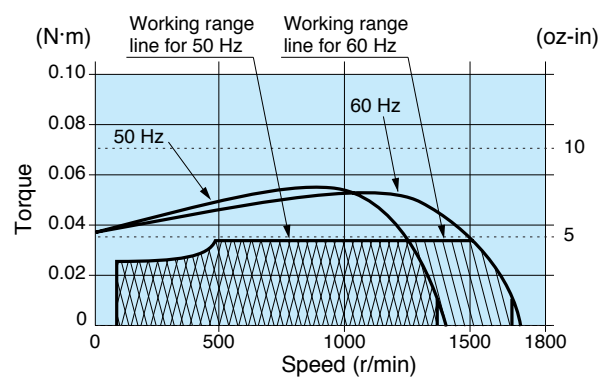
Applicable gear head Bearing	Reduction Ratio	Speed	Speed																				
			3	3.6	5	6	7.5	9	10	12.5	15	18	20	25	30	36	50	60	75	90	100	120	150
MX6G□BA (ball bearing)	1200 r/min	50 Hz	0.077 (0.68)	0.093 (0.82)	0.13 (1.15)	0.15 (1.33)	0.19 (1.68)	0.23 (2.04)	0.25 (2.21)	0.32 (2.83)	0.38 (3.36)	0.46 (4.07)	0.51 (4.51)	0.64 (5.66)	0.69 (6.11)	0.83 (7.35)	1.16 (10.3)	1.39 (12.3)	1.74 (15.4)	2.09 (18.5)	2.33 (20.6)	2.45 (21.7)	2.45 (21.7)
		60 Hz	0.077 (0.68)	0.093 (0.82)	0.13 (1.15)	0.15 (1.33)	0.19 (1.68)	0.23 (2.04)	0.25 (2.21)	0.32 (2.83)	0.38 (3.36)	0.46 (4.07)	0.51 (4.51)	0.64 (5.66)	0.69 (6.11)	0.83 (7.35)	1.16 (10.3)	1.39 (12.3)	1.74 (15.4)	2.09 (18.5)	2.33 (20.6)	2.45 (21.7)	2.45 (21.7)
MX6G□B (ball bearing)	1200 r/min	50 Hz	0.077 (0.68)	0.093 (0.82)	0.13 (1.15)	0.15 (1.33)	0.19 (1.68)	0.23 (2.04)	0.25 (2.21)	0.32 (2.83)	0.38 (3.36)	0.46 (4.07)	0.51 (4.51)	0.64 (5.66)	0.69 (6.11)	0.83 (7.35)	1.16 (10.3)	1.39 (12.3)	1.74 (15.4)	2.09 (18.5)	2.33 (20.6)	2.45 (21.7)	2.45 (21.7)
		60 Hz	0.077 (0.68)	0.093 (0.82)	0.13 (1.15)	0.15 (1.33)	0.19 (1.68)	0.23 (2.04)	0.25 (2.21)	0.32 (2.83)	0.38 (3.36)	0.46 (4.07)	0.51 (4.51)	0.64 (5.66)	0.69 (6.11)	0.83 (7.35)	1.16 (10.3)	1.39 (12.3)	1.74 (15.4)	2.09 (18.5)	2.33 (20.6)	2.45 (21.7)	2.45 (21.7)
MX6G□MA (metal bearing)	90 r/min	50 Hz	0.06 (0.53)	0.07 (0.62)	0.10 (0.89)	0.12 (1.06)	0.15 (1.33)	0.18 (1.59)	0.20 (1.77)	0.25 (2.21)	0.30 (2.66)	0.36 (3.19)	0.40 (3.54)	0.50 (4.43)	0.54 (4.78)	0.65 (5.75)	0.90 (7.97)	1.08 (9.56)	1.35 (11.9)	1.62 (14.3)	1.81 (16.0)	2.17 (19.2)	2.45 (21.7)
MX6G□M (metal bearing)		60 Hz	0.06 (0.53)	0.07 (0.62)	0.10 (0.89)	0.12 (1.06)	0.15 (1.33)	0.18 (1.59)	0.20 (1.77)	0.25 (2.21)	0.30 (2.66)	0.36 (3.19)	0.40 (3.54)	0.50 (4.43)	0.54 (4.78)	0.65 (5.75)	0.90 (7.97)	1.08 (9.56)	1.35 (11.9)	1.62 (14.3)	1.81 (16.0)	2.17 (19.2)	2.45 (21.7)
Rotational direction			Same as motor rotational direction												Reverse to motor rotational direction								

Permissible torque at output shaft of gear head using decimal gear head

Unit of permissible torque: upper (N·m) / lower (lb·in)

Applicable gear head Bearing	Decimal gear head	Reduction Ratio	Speed	Speed																			
				200	250	300	360	500	600	750	900	1000	1200	1500	1800								
MX6G□BA (ball bearing)	MX6G10XB	1200 r/min	50 Hz	2.45 (21.7)	2.45 (21.7)	2.45 (21.7)	2.45 (21.7)	2.45 (21.7)	2.45 (21.7)	2.45 (21.7)	2.45 (21.7)	2.45 (21.7)	2.45 (21.7)	2.45 (21.7)	2.45 (21.7)	2.45 (21.7)	2.45 (21.7)	2.45 (21.7)	2.45 (21.7)	2.45 (21.7)	2.45 (21.7)	2.45 (21.7)	2.45 (21.7)
			60 Hz	2.45 (21.7)	2.45 (21.7)	2.45 (21.7)	2.45 (21.7)	2.45 (21.7)	2.45 (21.7)	2.45 (21.7)	2.45 (21.7)	2.45 (21.7)	2.45 (21.7)	2.45 (21.7)	2.45 (21.7)	2.45 (21.7)	2.45 (21.7)	2.45 (21.7)	2.45 (21.7)	2.45 (21.7)	2.45 (21.7)	2.45 (21.7)	2.45 (21.7)
MX6G□B (ball bearing)	MX6G10XB	1200 r/min	50 Hz	2.45 (21.7)	2.45 (21.7)	2.45 (21.7)	2.45 (21.7)	2.45 (21.7)	2.45 (21.7)	2.45 (21.7)	2.45 (21.7)	2.45 (21.7)	2.45 (21.7)	2.45 (21.7)	2.45 (21.7)	2.45 (21.7)	2.45 (21.7)	2.45 (21.7)	2.45 (21.7)	2.45 (21.7)	2.45 (21.7)	2.45 (21.7)	2.45 (21.7)
			60 Hz	2.45 (21.7)	2.45 (21.7)	2.45 (21.7)	2.45 (21.7)	2.45 (21.7)	2.45 (21.7)	2.45 (21.7)	2.45 (21.7)	2.45 (21.7)	2.45 (21.7)	2.45 (21.7)	2.45 (21.7)	2.45 (21.7)	2.45 (21.7)	2.45 (21.7)	2.45 (21.7)	2.45 (21.7)	2.45 (21.7)	2.45 (21.7)	2.45 (21.7)
MX6G□MA (metal bearing)	90 r/min	50 Hz	2.45 (21.7)	2.45 (21.7)	2.45 (21.7)	2.45 (21.7)	2.45 (21.7)	2.45 (21.7)	2.45 (21.7)	2.45 (21.7)	2.45 (21.7)	2.45 (21.7)	2.45 (21.7)	2.45 (21.7)	2.45 (21.7)	2.45 (21.7)	2.45 (21.7)	2.45 (21.7)	2.45 (21.7)	2.45 (21.7)	2.45 (21.7)	2.45 (21.7)	2.45 (21.7)
MX6G□M (metal bearing)		60 Hz	2.45 (21.7)	2.45 (21.7)	2.45 (21.7)	2.45 (21.7)	2.45 (21.7)	2.45 (21.7)	2.45 (21.7)	2.45 (21.7)	2.45 (21.7)	2.45 (21.7)	2.45 (21.7)	2.45 (21.7)	2.45 (21.7)	2.45 (21.7)	2.45 (21.7)	2.45 (21.7)	2.45 (21.7)	2.45 (21.7)	2.45 (21.7)	2.45 (21.7)	2.45 (21.7)
Rotational direction			Same as motor rotational direction						Reverse to motor rotational direction														

Speed-torque characteristics



Connection diagram

* For the connection diagram showing wiring with the speed controller, refer to pages C-6 to C-20.

* Working range line

The working range line shows the working limit for the variable speed motor. The permissible torque should fall within the shaded portion. If you use the motor with the permissible torque exceeding the working range line (falling within the portion not shaded), the motor may be burned out due to a high temperature rise or the gear tooth may be damaged.

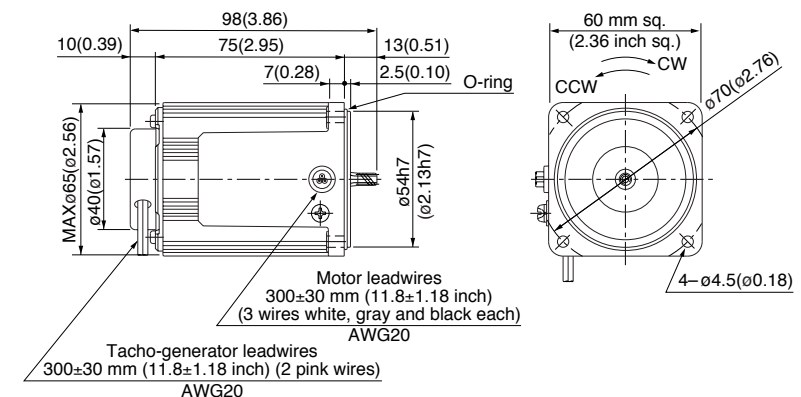
* Please read your User's manual carefully so that you will understand the operation and safety precautions before attempting to operate the system.

Motor (dimensions)

Scale: 1/3, Unit: mm (inch)

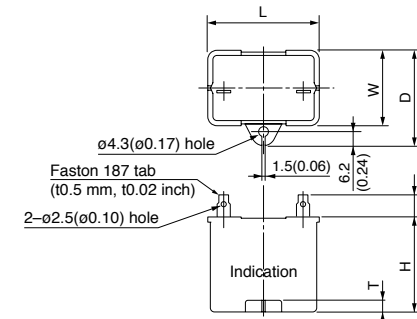
M61X6GV4L	4P 6 W 100 V
M61X6GV4Y	4P 6 W 200 V

Mass	Helical gear	Module	Number of teeth
0.71 kg 1.57 lb		0.5	6



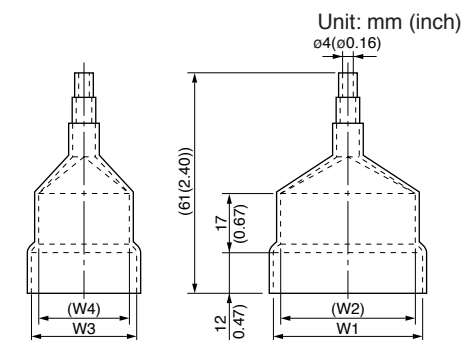
Capacitor (dimensions) [attachment]

Unit: mm (inch)



Capacitor cap (dimensions) [option]

Unit: mm (inch)



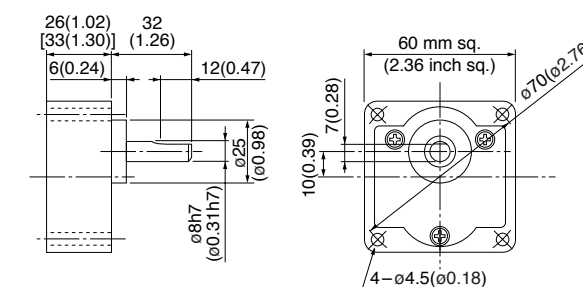
Capacitor dimension list Unit: upper (mm) / lower (inch)

Model number of motor	Model number of capacitor (attachment)	L	W	D	H	T	Capacitor cap (option)	W1	W2	W3	W4
M61X6GV4L	M0PC2.5M20	39.5 (1.56)	16 (0.63)	26.5 (1.04)	30.5 (1.20)	4 (0.16)	M0PC3917	39.5 (1.56)	37.5 (1.48)	17 (0.67)	15 (0.59)
M61X6GV4Y	M0PC0.6M40	39.5 (1.56)	16.2 (0.64)	27 (1.06)	27 (1.06)	4 (0.16)	M0PC3917	39.5 (1.56)	37.5 (1.48)	17 (0.67)	15 (0.59)

Gear head (dimensions)

Scale: 1/3, Unit: mm (inch)

MX6G□BA (ball bearing)	Mass 0.24 kg (0.53 lb): Output shaft D cut	MX6G□B (ball bearing)	Mass 0.3 kg (0.66 lb): Output shaft D cut
MX6G□MA (metal bearing)	Mass 0.24 kg (0.53 lb): Output shaft D cut	MX6G□M (metal bearing)	Mass 0.3 kg (0.66 lb): Output shaft D cut



* Figures in [] represent the dimensions of MX6G□B (M) (1/30 or larger reduction ratio).

(The model number of the gear head with a reduction ratio of 1/25 or smaller is MX6G□BA (MA).)

(Note) Because the dimensions may be subject to change, also check the determinate dimensions if the gear head is to be used for design.

Specifications

Size	Motor model No.	Number of pole (P)	Output (W)	Voltage (V)	Frequency (Hz)	Rating (min)	Variable speed range		Starting current (A)	Starting torque N-m (oz-in)	Capacitor (μF) (rated voltage)	
							Speed (r/min)	Permissible Torque N-m (oz-in) at				
60 mm sq.	M61X6GV4LG M61X6GV4LGA	4	6	100	50	Cont.	90 to 1400	0.044 (6.23)	0.034 (4.81)	0.32	0.049 (6.94)	3.5 (250 V)
							90 to 1700	0.034 (4.81)	0.034 (4.81)	0.33	0.049 (6.94)	
	M61X6GV4DG M61X6GV4DGA	4	6	110	60	Cont.	90 to 1700	0.034 (4.81)	0.034 (4.81)	0.33	0.044 (6.23)	2.5 (250 V)
							90 to 1700	0.034 (4.81)	0.034 (4.81)	0.34	0.049 (6.94)	
	M61X6GV4YG M61X6GV4YGA	4	6	200	50	Cont.	90 to 1400	0.044 (6.23)	0.034 (4.81)	0.14	0.049 (6.94)	0.8 (450 V)
							90 to 1700	0.034 (4.81)	0.034 (4.81)	0.14	0.049 (6.94)	
	M61X6GV4GG M61X6GV4GGA	4	6	220	60	Cont.	90 to 1400	0.044 (6.23)	0.034 (4.81)	0.14	0.042 (5.95)	0.6 (450 V)
							90 to 1700	0.034 (4.81)	0.034 (4.81)	0.14	0.042 (5.95)	
	M61X6GV4GG M61X6GV4GGA	4	6	230	50	Cont.	90 to 1400	0.044 (6.23)	0.034 (4.81)	0.15	0.048 (6.80)	0.6 (450 V)
							90 to 1700	0.034 (4.81)	0.034 (4.81)	0.15	0.049 (6.94)	

• The specifications and wire connections of the round shaft motor are the same as those of the pinion shaft type. For the dimensional outline drawing, refer to page B-264.
 • The models with a motor model number to which "A" is suffixed are not equipped with a capacitor cap.
 • The models with a motor model number to which "A" is suffixed are not sold or available in Japan.

Permissible torque at output shaft of gear head

Unit of permissible torque: upper (N·m) / lower (lb-in)

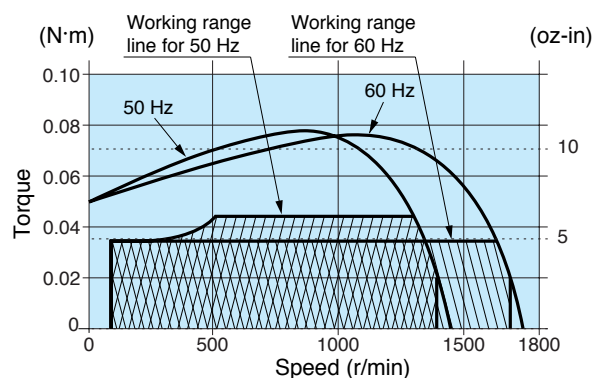
Applicable gear head	Reduction Ratio	Speed																							
		3	3.6	5	6	7.5	9	10	12.5	15	18	20	25	30	36	50	60	75	90	100	120	150	180		
MX6G□BA (ball bearing)	1200 r/min	50 Hz	0.11 (0.97)	0.13 (1.15)	0.18 (1.59)	0.21 (1.86)	0.27 (2.39)	0.32 (2.83)	0.36 (3.19)	0.45 (3.98)	0.53 (4.69)	0.64 (5.66)	0.71 (6.28)	0.89 (8.50)	0.96 (10.2)	1.15 (14.2)	1.60 (17.0)	1.92 (21.3)	2.41 (21.7)	2.45 (21.7)	2.45 (21.7)	2.45 (21.7)	2.45 (21.7)	2.45 (21.7)	
		60 Hz	0.083 (0.73)	0.10 (0.89)	0.14 (1.24)	0.17 (1.5)	0.21 (1.86)	0.25 (2.21)	0.28 (2.48)	0.34 (3.01)	0.41 (3.63)	0.50 (4.43)	0.55 (4.87)	0.69 (6.11)	0.74 (6.55)	0.89 (7.88)	1.24 (11.0)	1.49 (13.2)	1.86 (16.5)	2.23 (19.7)	2.45 (21.7)	2.45 (21.7)	2.45 (21.7)	2.45 (21.7)	2.45 (21.7)
MX6G□B (ball bearing)	90 r/min	50 Hz	0.08 (0.71)	0.10 (0.89)	0.14 (1.24)	0.17 (1.5)	0.21 (1.86)	0.25 (2.21)	0.28 (2.48)	0.34 (3.01)	0.41 (3.63)	0.50 (4.43)	0.55 (4.87)	0.69 (6.11)	0.74 (6.55)	0.89 (7.88)	1.24 (11.0)	1.49 (13.2)	1.86 (16.5)	2.23 (19.7)	2.45 (21.7)	2.45 (21.7)	2.45 (21.7)	2.45 (21.7)	2.45 (21.7)
		60 Hz	0.083 (0.73)	0.10 (0.89)	0.14 (1.24)	0.17 (1.5)	0.21 (1.86)	0.25 (2.21)	0.28 (2.48)	0.34 (3.01)	0.41 (3.63)	0.50 (4.43)	0.55 (4.87)	0.69 (6.11)	0.74 (6.55)	0.89 (7.88)	1.24 (11.0)	1.49 (13.2)	1.86 (16.5)	2.23 (19.7)	2.45 (21.7)	2.45 (21.7)	2.45 (21.7)	2.45 (21.7)	2.45 (21.7)
Rotational direction		Same as motor rotational direction											Reverse to motor rotational direction												

Permissible torque at output shaft of gear head using decimal gear head

Unit of permissible torque: upper (N·m) / lower (lb-in)

Applicable gear head	Decimal gear head	Reduction Ratio	Speed																					
			200	250	300	360	500	600	750	900	1000	1200	1500	1800										
MX6G□BA (ball bearing)	MX6G10XB	1200 r/min	50 Hz	2.45 (21.7)	2.45 (21.7)	2.45 (21.7)	2.45 (21.7)	2.45 (21.7)	2.45 (21.7)	2.45 (21.7)	2.45 (21.7)	2.45 (21.7)	2.45 (21.7)	2.45 (21.7)	2.45 (21.7)	2.45 (21.7)	2.45 (21.7)	2.45 (21.7)	2.45 (21.7)	2.45 (21.7)	2.45 (21.7)	2.45 (21.7)	2.45 (21.7)	2.45 (21.7)
			60 Hz	2.45 (21.7)	2.45 (21.7)	2.45 (21.7)	2.45 (21.7)	2.45 (21.7)	2.45 (21.7)	2.45 (21.7)	2.45 (21.7)	2.45 (21.7)	2.45 (21.7)	2.45 (21.7)	2.45 (21.7)	2.45 (21.7)	2.45 (21.7)	2.45 (21.7)	2.45 (21.7)	2.45 (21.7)	2.45 (21.7)	2.45 (21.7)	2.45 (21.7)	2.45 (21.7)
MX6G□B (ball bearing)	MX6G10XB	90 r/min	50 Hz	2.45 (21.7)	2.45 (21.7)	2.45 (21.7)	2.45 (21.7)	2.45 (21.7)	2.45 (21.7)	2.45 (21.7)	2.45 (21.7)	2.45 (21.7)	2.45 (21.7)	2.45 (21.7)	2.45 (21.7)	2.45 (21.7)	2.45 (21.7)	2.45 (21.7)	2.45 (21.7)	2.45 (21.7)	2.45 (21.7)	2.45 (21.7)	2.45 (21.7)	2.45 (21.7)
			60 Hz	2.45 (21.7)	2.45 (21.7)	2.45 (21.7)	2.45 (21.7)	2.45 (21.7)	2.45 (21.7)	2.45 (21.7)	2.45 (21.7)	2.45 (21.7)	2.45 (21.7)	2.45 (21.7)	2.45 (21.7)	2.45 (21.7)	2.45 (21.7)	2.45 (21.7)	2.45 (21.7)	2.45 (21.7)	2.45 (21.7)	2.45 (21.7)	2.45 (21.7)	2.45 (21.7)
Rotational direction		Same as motor rotational direction			Reverse to motor rotational direction																			

Speed-torque characteristics



Connection diagram

* For the connection diagram showing wiring with the speed controller, refer to pages C-6 to C-20.

* Working range line

The working range line shows the working limit for the variable speed motor. The permissible torque should fall within the shaded portion. If you use the motor with the permissible torque exceeding the working range line (falling within the portion not shaded), the motor may be burned out due to a high temperature rise or the gear tooth may be damaged.

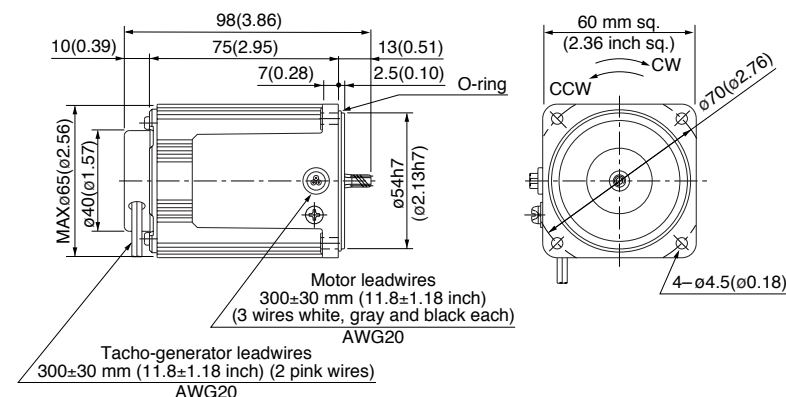
* Please read your User's manual carefully so that you will understand the operation and safety precautions before attempting to operate the system.

Motor (dimensions)

Scale: 1/3, Unit: mm (inch)

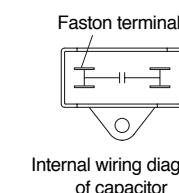
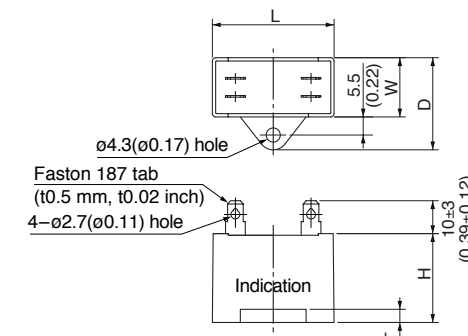
M61X6GV4LG(A)	4P 6 W 100 V
M61X6GV4DG(A)	4P 6 W 110 V / 115 V
M61X6GV4YG(A)	4P 6 W 200 V
M61X6GV4GG(A)	4P 6 W 220 V / 230 V

Mass	Helical gear	Module	Number of teeth
0.71 kg 1.57 lb		0.5	6



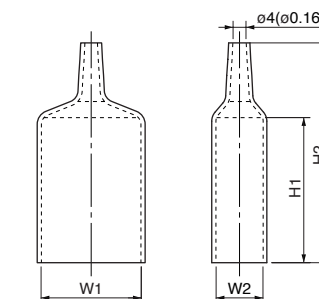
Capacitor (dimensions) [attachment]

Unit: mm (inch)



Capacitor cap (dimensions) [attachment]

Unit: mm (inch)



Capacitor dimension list Unit: upper (mm) / lower (inch)

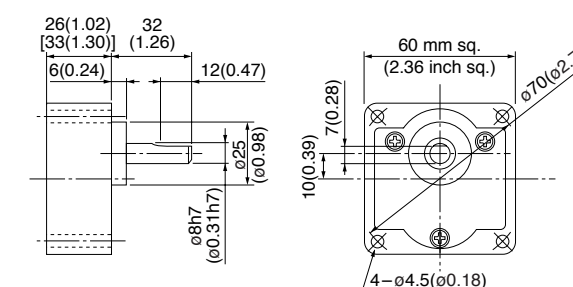
Model number of motor	Model number of capacitor (attachment)	L	W	D	H	T	Capacitor cap (attachment)	W1	W2	H1	H2
M61X6GV4LG(A)	M0PC3.5M25G	31 (1.22)	17 (0.67)	27 (1.06)	27 (1.06)	4 (0.16)	M0PC3117G	31 (1.22)	17 (0.67)	50 (1.97)	73 (2.87)
M61X6GV4DG(A)	M0PC2.5M25G	31 (1.22)	17 (0.67)	27 (1.06)	27 (1.06)	4 (0.16)	M0PC3117G	31 (1.22)	17 (0.67)	50 (1.97)	73 (2.87)
M61X6GV4YG(A)	M0PC0.8M45G	31 (1.22)	17 (0.67)	27 (1.06)	27 (1.06)	4 (0.16)	M0PC3117G	31 (1.22)	17 (0.67)	50 (1.97)	73 (2.87)
M61X6GV4GG(A)	M0PC0.6M45G	31 (1.22)	14.5 (0.57)	24.5 (0.96)	23.5 (0.93)	4 (0.16)	M0PC3114G	31 (1.22)	14.5 (0.57)	45 (1.77)	68 (2.68)

* The models with a motor model number to which "A" is suffixed are not equipped with a capacitor cap.

Gear head (dimensions)

Scale: 1/3, Unit: mm (inch)

MX6G□BA (ball bearing)	Mass 0.24 kg (0.53 lb): Output shaft D cut	MX6G□B (ball bearing)	Mass 0.3 kg (0.66 lb): Output shaft D cut
MX6G□MA (metal bearing)	Mass 0.24 kg (0.53 lb): Output shaft D cut	MX6G□M (metal bearing)	Mass 0.3 kg (0.66 lb): Output shaft D cut



* Figures in [] represent the dimensions of MX6G□B (M) (1/30 or larger reduction ratio).

(The model number of the gear head with a reduction ratio of 1/25 or smaller is MX6G□BA (MA).)

(Note) Because the dimensions may be subject to change, also check the determinate dimensions if the gear head is to be used for design.

Specifications

Size	Motor model No.	Number of pole (P)	Output (W)	Voltage (V)	Frequency (Hz)	Rating (min)	Variable speed range		Permissible Torque N·m (oz·in)		Starting current (A)	Starting torque N·m (oz·in)	Capacitor (μF) (rated voltage)
							Speed (r/min)	at 1200 r/min	at 90 r/min				
70 mm sq.	M71X15GV4LG M71X15GV4LGA	4	15	100	50	Cont.	90 to 1400	0.11 (15.6)	0.049 (6.94)	0.57	0.080 (11.3)	5.5 (250 V)	
					60		90 to 1700	0.088 (12.5)	0.049 (6.94)	0.56	0.080 (11.3)		
	M71X15GV4DG M71X15GV4DGA	4	15	110	Cont.	90 to 1700	0.088 (12.5)	0.049 (6.94)	0.58	0.080 (11.3)	4.5 (250 V)		
				60		90 to 1700	0.088 (12.5)	0.049 (6.94)	0.61	0.088 (12.5)			
	M71X15GV4YG M71X15GV4YGA	4	15	200	Cont.	90 to 1400	0.11 (15.6)	0.049 (6.94)	0.24	0.080 (11.3)	1.3 (450 V)		
				60		90 to 1700	0.088 (12.5)	0.049 (6.94)	0.24	0.080 (11.3)			
	M71X15GV4GG M71X15GV4GGA	4	15	220	Cont.	90 to 1400	0.11 (15.6)	0.049 (6.94)	0.27	0.080 (11.3)	1.2 (450 V)		
				60		90 to 1700	0.088 (12.5)	0.049 (6.94)	0.26	0.080 (11.3)			
				230	Cont.	90 to 1400	0.11 (15.6)	0.049 (6.94)	0.28	0.10 (14.2)			
						60	90 to 1700	0.088 (12.5)	0.049 (6.94)	0.27		0.10 (14.2)	

• The specifications and wire connections of the round shaft motor are the same as those of the pinion shaft type. For the dimensional outline drawing, refer to page B-264.
 • The models with a motor model number to which "A" is suffixed are not equipped with a capacitor cap.
 • The models with a motor model number to which "A" is suffixed are not sold or available in Japan.

Permissible torque at output shaft of gear head

Unit of permissible torque: upper (N·m) / lower (lb·in)

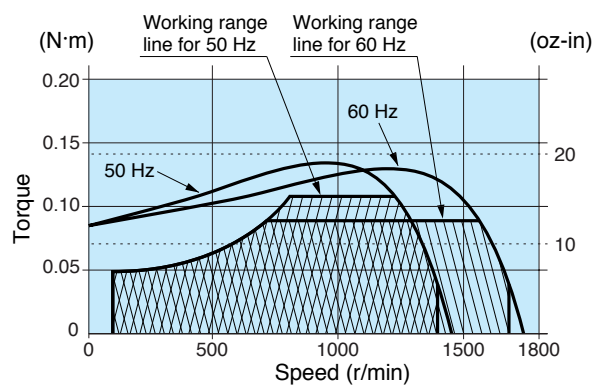
Applicable gear head	Reduction Ratio	Speed																						
		3	3.6	5	6	7.5	9	10	12.5	15	18	20	25	30	36	50	60	75	90	100	120	150	180	
MX7G□BA (ball bearing)	1200 r/min	50 Hz	0.27 (2.39)	0.32 (2.83)	0.45 (3.98)	0.53 (4.69)	0.67 (5.93)	0.80 (7.08)	0.89 (7.88)	1.11 (9.82)	1.34 (11.9)	1.60 (14.2)	1.78 (15.8)	2.23 (19.7)	2.41 (21.3)	2.89 (25.6)	4.01 (35.5)	4.81 (42.6)	4.9 (43.4)	4.90 (43.4)	4.90 (43.4)	4.90 (43.4)	4.90 (43.4)	4.90 (43.4)
		60 Hz	0.21 (1.86)	0.26 (2.30)	0.36 (3.19)	0.43 (3.81)	0.53 (4.69)	0.64 (5.66)	0.71 (6.28)	0.89 (7.88)	1.07 (9.47)	1.28 (11.3)	1.43 (12.7)	1.78 (15.8)	1.92 (17.0)	2.31 (20.4)	3.21 (28.4)	3.85 (34.1)	4.81 (42.6)	4.90 (43.4)	4.90 (43.4)	4.90 (43.4)	4.90 (43.4)	4.90 (43.4)
MX7G□MA (metal bearing)	90 r/min	50 Hz	0.12 (1.06)	0.14 (1.24)	0.20 (1.77)	0.24 (2.12)	0.30 (2.66)	0.36 (3.19)	0.40 (3.54)	0.50 (4.43)	0.60 (5.31)	0.71 (6.28)	0.79 (6.99)	0.99 (8.76)	1.07 (9.47)	1.29 (11.4)	1.79 (15.8)	2.14 (18.9)	2.68 (23.7)	3.21 (28.4)	3.57 (31.6)	4.29 (38.0)	4.90 (43.4)	
		60 Hz	0.12 (1.06)	0.14 (1.24)	0.20 (1.77)	0.24 (2.12)	0.30 (2.66)	0.36 (3.19)	0.40 (3.54)	0.50 (4.43)	0.60 (5.31)	0.71 (6.28)	0.79 (6.99)	0.99 (8.76)	1.07 (9.47)	1.29 (11.4)	1.79 (15.8)	2.14 (18.9)	2.68 (23.7)	3.21 (28.4)	3.57 (31.6)	4.29 (38.0)	4.90 (43.4)	
Rotational direction		Same as motor rotational direction											Reverse to motor rotational direction											

Permissible torque at output shaft of gear head using decimal gear head

Unit of permissible torque: upper (N·m) / lower (lb·in)

Applicable gear head	Decimal gear head	Reduction Ratio	Speed																				
			200	250	300	360	500	600	750	900	1000	1200	1500	1800									
MX7G□BA (ball bearing)	MX7G10XB	1200 r/min	50 Hz	4.90 (43.4)	4.90 (43.4)	4.90 (43.4)	4.90 (43.4)	4.90 (43.4)	4.90 (43.4)	4.90 (43.4)	4.90 (43.4)	4.90 (43.4)	4.90 (43.4)	4.90 (43.4)	4.90 (43.4)	4.90 (43.4)	4.90 (43.4)	4.90 (43.4)	4.90 (43.4)	4.90 (43.4)	4.90 (43.4)	4.90 (43.4)	4.90 (43.4)
			60 Hz	4.90 (43.4)	4.90 (43.4)	4.90 (43.4)	4.90 (43.4)	4.90 (43.4)	4.90 (43.4)	4.90 (43.4)	4.90 (43.4)	4.90 (43.4)	4.90 (43.4)	4.90 (43.4)	4.90 (43.4)	4.90 (43.4)	4.90 (43.4)	4.90 (43.4)	4.90 (43.4)	4.90 (43.4)	4.90 (43.4)	4.90 (43.4)	4.90 (43.4)
MX7G□MA (metal bearing)	MX7G10XB	90 r/min	50 Hz	4.90 (43.4)	4.90 (43.4)	4.90 (43.4)	4.90 (43.4)	4.90 (43.4)	4.90 (43.4)	4.90 (43.4)	4.90 (43.4)	4.90 (43.4)	4.90 (43.4)	4.90 (43.4)	4.90 (43.4)	4.90 (43.4)	4.90 (43.4)	4.90 (43.4)	4.90 (43.4)	4.90 (43.4)	4.90 (43.4)	4.90 (43.4)	4.90 (43.4)
			60 Hz	4.90 (43.4)	4.90 (43.4)	4.90 (43.4)	4.90 (43.4)	4.90 (43.4)	4.90 (43.4)	4.90 (43.4)	4.90 (43.4)	4.90 (43.4)	4.90 (43.4)	4.90 (43.4)	4.90 (43.4)	4.90 (43.4)	4.90 (43.4)	4.90 (43.4)	4.90 (43.4)	4.90 (43.4)	4.90 (43.4)	4.90 (43.4)	4.90 (43.4)
Rotational direction		Same as motor rotational direction		Reverse to motor rotational direction																			

Speed-torque characteristics



Connection diagram

* For the connection diagram showing wiring with the speed controller, refer to pages C-6 to C-20.

Working range line

The working range line shows the working limit for the variable speed motor. The permissible torque should fall within the shaded portion. If you use the motor with the permissible torque exceeding the working range line (falling within the portion not shaded), the motor may be burned out due to a high temperature rise or the gear tooth may be damaged.

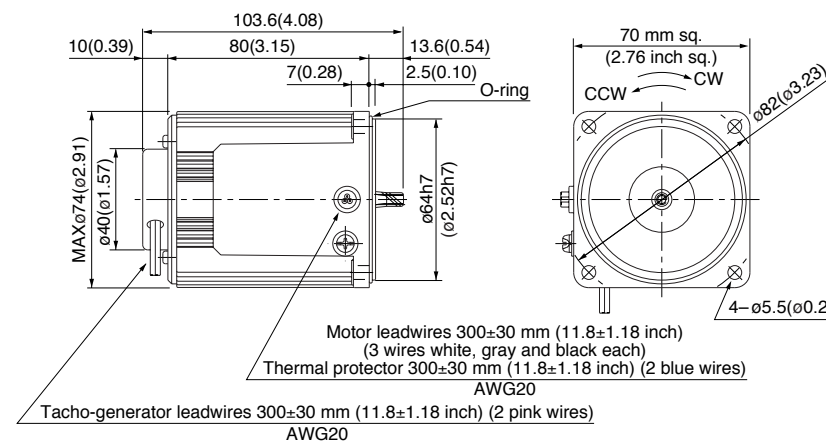
* Please read your User's manual carefully so that you will understand the operation and safety precautions before attempting to operate the system.

Motor (dimensions)

Scale: 1/3, Unit: mm (inch)

M71X15GV4LG(A)	4P 15 W 100 V
M71X15GV4DG(A)	4P 15 W 110 V / 115 V
M71X15GV4YG(A)	4P 15 W 200 V
M71X15GV4GG(A)	4P 15 W 220 V / 230 V

Mass	Helical gear	Module	Number of teeth
1.1 kg 2.43 lb		0.5	7

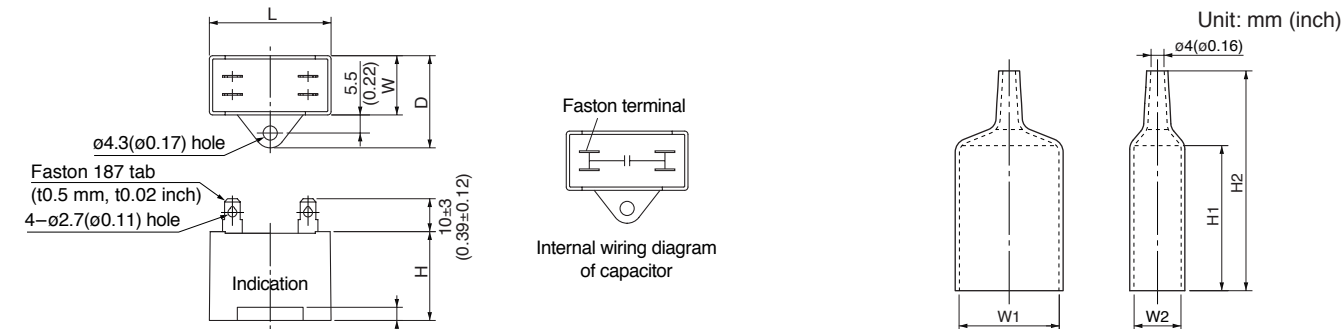


Capacitor (dimensions) [attachment]

Unit: mm (inch)

Capacitor cap (dimensions) [attachment]

Unit: mm (inch)



Capacitor dimension list

Unit: upper (mm) / lower (inch)

Model number of motor	Model number of capacitor (attachment)	L	W	D	H	T	Capacitor cap (attachment)	W1	W2	H1	H2
M71X15GV4LG(A)	M0PC5.5M25G	38 (1.50)	21 (0.83)	31 (1.22)	31 (1.22)	4 (0.16)	M0PC3821G	38 (1.50)	21 (0.83)	55 (2.17)	78 (3.07)
M71X15GV4DG(A)	M0PC4.5M25G	37 (1.46)	18 (0.71)	28 (1.10)	27 (1.06)	4 (0.16)	M0PC3718G	37 (1.46)	18 (0.71)	50 (1.97)	73 (2.87)
M71X15GV4YG(A)	M0PC1.3M45G	38 (1.50)	19 (0.75)	29 (1.14)	29 (1.14)	4 (0.16)	M0PC3819G	38 (1.50)	19 (0.75)	50 (1.97)	73 (2.87)
M71X15GV4GG(A)	M0PC1.2M45G	37 (1.46)	18 (0.71)	28 (1.10)	27 (1.06)	4 (0.16)	M0PC3718G	37 (1.46)	18 (0.71)	50 (1.97)	73 (2.87)

* The models with a motor model number to which "A" is suffixed are not equipped with a capacitor cap.

Gear head (dimensions)

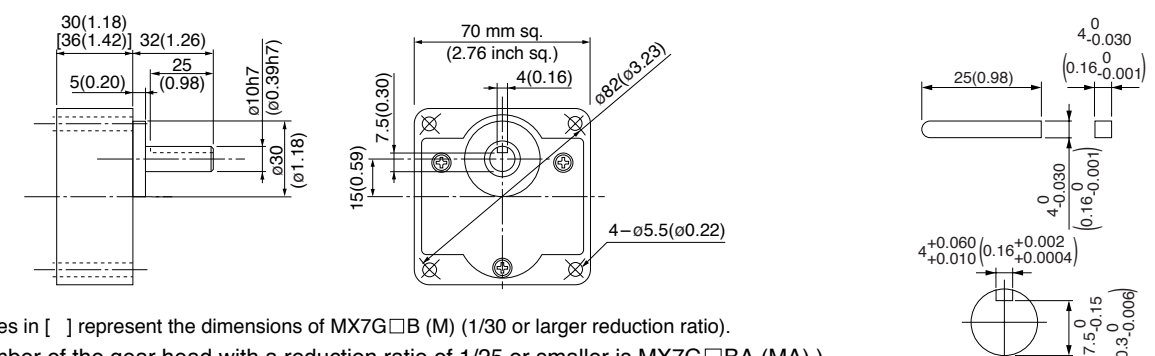
Scale: 1/3, Unit: mm (inch)

MX7G□BA (ball bearing)	Mass 0.38 kg (0.84 lb)
MX7G□MA (metal bearing)	Mass 0.38 kg (0.84 lb)

MX7G□B (ball bearing)	Mass 0.45 kg (0.99 lb)
MX7G□M (metal bearing)	Mass 0.45 kg (0.99 lb)

Key and keyway (dimensions) [attachment]

MX7G□BA(B)
MX7G□MA(M)



* Figures in [] represent the dimensions of MX7G□B (M) (1/30 or larger reduction ratio).

(The model number of the gear head with a reduction ratio of 1/25 or smaller is MX7G□BA (MA).)

(Note) Because the dimensions may be subject to change, also check the determinate dimensions if the gear head is to be used for design.

Specifications

Size	Motor model No.	Number of pole (P)	Output (W)	Voltage (V)	Frequency (Hz)	Rating (min)	Variable speed range		Permissible Torque N·m (oz·in)		Starting current (A)	Starting torque N·m (oz·in)	Capacitor (μF) (rated voltage)
							Speed (r/min)	at 1200 r/min	at 90 r/min	at 1200 r/min			
80 mm sq.	M81X15GV4L	4	15	100	50	Cont.	90 to 1400	0.12 (17.0)	0.039 (5.52)	0.72	0.12 (17.0)	6 (200 V)	
							90 to 1700	0.12 (17.0)	0.039 (5.52)	0.69	0.12 (17.0)		
	M81X15GV4Y	4	15	200	50	Cont.	90 to 1400	0.12 (17.0)	0.039 (5.52)	0.36	0.12 (17.0)	1.5 (400 V)	
							90 to 1700	0.12 (17.0)	0.039 (5.52)	0.35	0.12 (17.0)		

* The specifications and wire connections of the round shaft motor are the same as those of the pinion shaft type. For the dimensional outline drawing, refer to page B-264.

Permissible torque at output shaft of gear head

Unit of permissible torque: upper (N·m) / lower (lb·in)

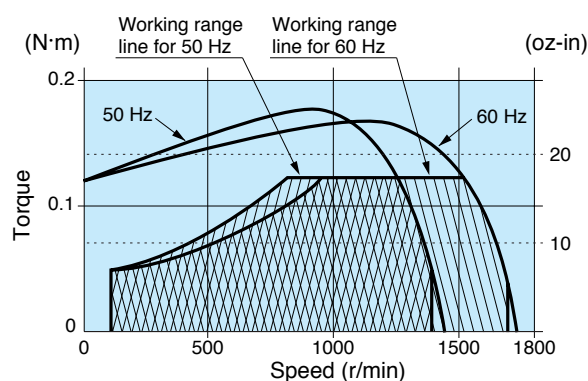
Applicable gear head Bearing	Reduction Ratio	Speed	Reduction Ratio																					
			3	3.6	5	6	7.5	9	10	12.5	15	18	20	25	30	36	50	60	75	90	100	120	150	180
MX8G□B (ball bearing)	1200 r/min	50 Hz	0.29 (2.57)	0.34 (3.01)	0.48 (4.25)	0.58 (5.13)	0.72 (6.37)	0.87 (7.70)	0.97 (8.59)	1.21 (10.7)	1.45 (12.8)	1.74 (15.4)	1.94 (17.2)	2.43 (21.5)	2.62 (23.2)	3.14 (27.8)	4.37 (38.7)	5.24 (46.4)	6.55 (58.0)	7.84 (69.4)	7.84 (69.4)	7.84 (69.4)	7.84 (69.4)	7.84 (69.4)
		60 Hz	0.29 (2.57)	0.34 (3.01)	0.48 (4.25)	0.58 (5.13)	0.72 (6.37)	0.87 (7.70)	0.97 (8.59)	1.21 (10.7)	1.45 (12.8)	1.74 (15.4)	1.94 (17.2)	2.43 (21.5)	2.62 (23.2)	3.14 (27.8)	4.37 (38.7)	5.24 (46.4)	6.55 (58.0)	7.84 (69.4)	7.84 (69.4)	7.84 (69.4)	7.84 (69.4)	7.84 (69.4)
MX8G□M (metal bearing)	90 r/min	0.094 (0.83)	0.11 (0.97)	0.15 (1.33)	0.18 (1.59)	0.23 (2.04)	0.28 (2.48)	0.31 (2.74)	0.39 (3.45)	0.47 (4.16)	0.56 (4.96)	0.63 (5.58)	0.78 (6.90)	0.84 (7.43)	1.01 (8.94)	1.41 (12.5)	1.69 (15.0)	2.12 (18.8)	2.54 (22.5)	2.83 (25.0)	3.39 (30.0)	4.24 (37.5)	5.09 (45.1)	
Rotational direction		Same as motor rotational direction											Reverse to motor rotational direction											

Permissible torque at output shaft of gear head using decimal gear head

Unit of permissible torque: upper (N·m) / lower (lb·in)

Applicable gear head Bearing	Decimal gear head	Reduction Ratio	Speed	Reduction Ratio																			
				200	250	300	360	500	600	750	900	1000	1200	1500	1800								
MX8G□B (ball bearing)	MX8G10XB	1200 r/min	50 Hz	7.84 (69.4)	7.84 (69.4)	7.84 (69.4)	7.84 (69.4)	7.84 (69.4)	7.84 (69.4)	7.84 (69.4)	7.84 (69.4)	7.84 (69.4)	7.84 (69.4)	7.84 (69.4)	7.84 (69.4)	7.84 (69.4)	7.84 (69.4)	7.84 (69.4)	7.84 (69.4)	7.84 (69.4)	7.84 (69.4)	7.84 (69.4)	7.84 (69.4)
			60 Hz	7.84 (69.4)	7.84 (69.4)	7.84 (69.4)	7.84 (69.4)	7.84 (69.4)	7.84 (69.4)	7.84 (69.4)	7.84 (69.4)	7.84 (69.4)	7.84 (69.4)	7.84 (69.4)	7.84 (69.4)	7.84 (69.4)	7.84 (69.4)	7.84 (69.4)	7.84 (69.4)	7.84 (69.4)	7.84 (69.4)	7.84 (69.4)	7.84 (69.4)
MX8G□M (metal bearing)	90 r/min	5.07 (44.9)	6.34 (56.1)	6.90 (61.1)	7.84 (69.4)	7.84 (69.4)	7.84 (69.4)	7.84 (69.4)	7.84 (69.4)	7.84 (69.4)	7.84 (69.4)	7.84 (69.4)	7.84 (69.4)	7.84 (69.4)	7.84 (69.4)	7.84 (69.4)	7.84 (69.4)	7.84 (69.4)	7.84 (69.4)	7.84 (69.4)	7.84 (69.4)	7.84 (69.4)	
Rotational direction		Same as motor rotational direction											Reverse to motor rotational direction										

Speed-torque characteristics



Connection diagram

* For the connection diagram showing wiring with the speed controller, refer to pages C-6 to C-20.

* Working range line

The working range line shows the working limit for the variable speed motor. The permissible torque should fall within the shaded portion. If you use the motor with the permissible torque exceeding the working range line (falling within the portion not shaded), the motor may be burned out due to a high temperature rise or the gear tooth may be damaged.

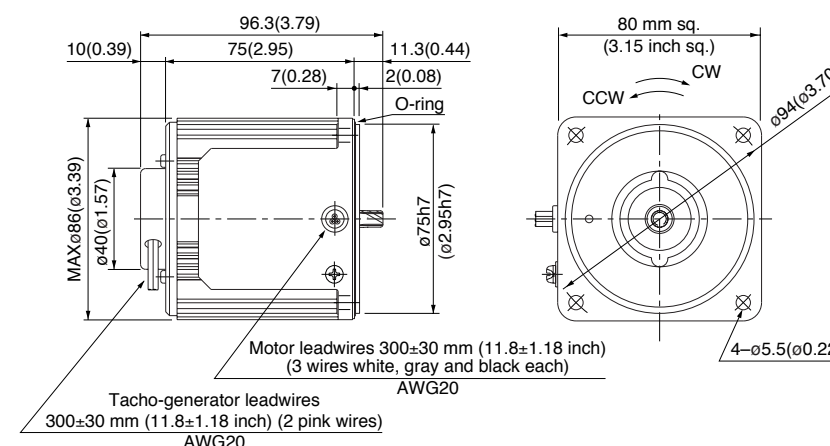
* Please read your User's manual carefully so that you will understand the operation and safety precautions before attempting to operate the system.

Motor (dimensions)

Scale: 1/3, Unit: mm (inch)

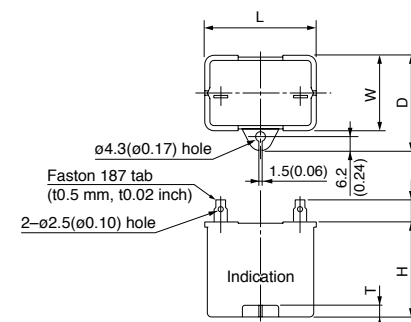
M81X15GV4L	4P 15 W 100 V
M81X15GV4Y	4P 15 W 200 V

Mass	Helical gear	Module	Number of teeth
1.2 kg 2.65 lb		0.5	9



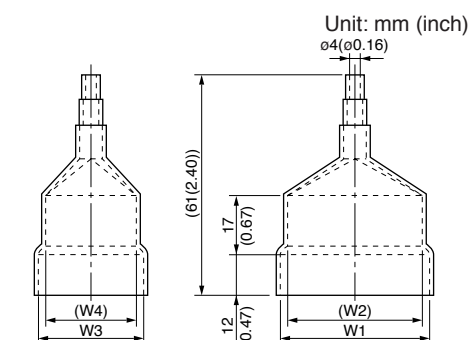
Capacitor (dimensions) [attachment]

Unit: mm (inch)



Capacitor cap (dimensions) [option]

Unit: mm (inch)



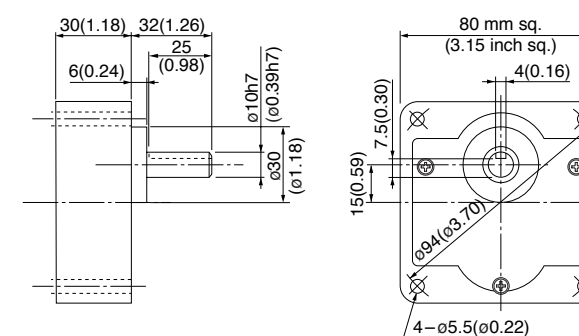
Capacitor dimension list Unit: upper (mm) / lower (inch)

Model number of motor	Model number of capacitor (attachment)	L	W	D	H	T	Capacitor cap (option)	W1	W2	W3	W4
M81X15GV4L	M0PC6M20	39.5 (1.56)	17.5 (0.69)	28 (1.10)	30.5 (1.20)	4 (0.16)	M0PC3917	39.5 (1.56)	37.5 (1.48)	17 (0.67)	15 (0.59)
M81X15GV4Y	M0PC1.5M40	39.5 (1.56)	22 (0.87)	32.5 (1.28)	32.5 (1.28)	4 (0.16)	M0PC3922	39.5 (1.56)	37.5 (1.48)	22 (0.87)	20 (0.79)

Gear head (dimensions)

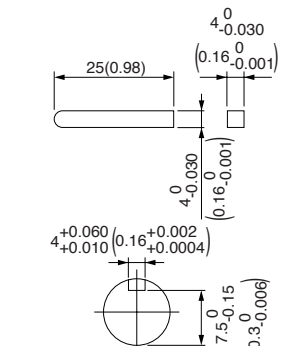
Scale: 1/3, Unit: mm (inch)

MX8G□B (ball bearing)	Mass 0.6 kg (1.32 lb)
MX8G□M (metal bearing)	Mass 0.6 kg (1.32 lb)



Key and keyway (dimensions) [attachment]

MX8G□B(M)



(Note) Because the dimensions may be subject to change, also check the determinate dimensions if the gear head is to be used for design.

Specifications

Size	Motor model No.	Number of pole (P)	Output (W)	Voltage (V)	Frequency (Hz)	Rating (min)	Variable speed range		Permissible Torque N·m (oz·in)		Starting current (A)	Starting torque N·m (oz·in)	Capacitor (μF) (rated voltage)
							Speed (r/min)	at 1200 r/min	at 90 r/min	at 1200 r/min			
80 mm sq.	M81X25GV4L	4	25	100	50	Cont.	90 to 1400	0.14 (19.8)	0.039 (5.52)	1.0	0.16 (22.7)	8 (200 V)	
							90 to 1700	0.14 (19.8)	0.039 (5.52)	1.0	0.16 (22.7)		
	M81X25GV4Y	4	25	200	50	Cont.	90 to 1400	0.14 (19.8)	0.039 (5.52)	0.5	0.16 (22.7)	2 (400 V)	
							90 to 1700	0.14 (19.8)	0.039 (5.52)	0.5	0.16 (22.7)		

* The specifications and wire connections of the round shaft motor are the same as those of the pinion shaft type. For the dimensional outline drawing, refer to page B-264.

Permissible torque at output shaft of gear head

Unit of permissible torque: upper (N·m) / lower (lb·in)

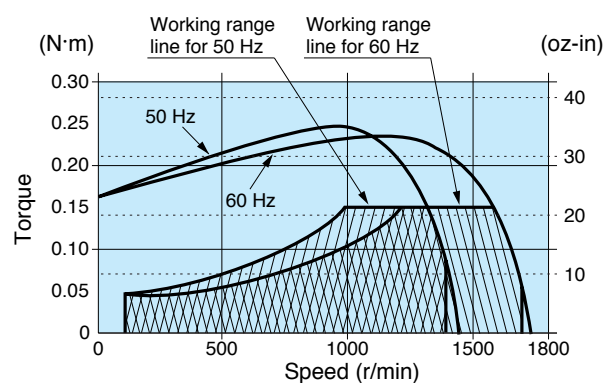
Applicable gear head Bearing	Reduction Ratio	Speed	Permissible Torque																					
			3	3.6	5	6	7.5	9	10	12.5	15	18	20	25	30	36	50	60	75	90	100	120	150	180
MX8G□B (ball bearing)	1200 r/min	50 Hz	0.34 (3.01)	0.40 (3.54)	0.56 (4.96)	0.68 (6.02)	0.85 (7.52)	1.02 (9.03)	1.13 (10.0)	1.41 (12.5)	1.70 (15.0)	2.04 (18.1)	2.26 (20.0)	2.83 (25.0)	3.06 (27.1)	3.67 (32.5)	5.10 (45.1)	6.12 (54.2)	7.65 (67.7)	7.84 (69.4)	7.84 (69.4)	7.84 (69.4)	7.84 (69.4)	7.84 (69.4)
		60 Hz	0.34 (3.01)	0.40 (3.54)	0.56 (4.96)	0.68 (6.02)	0.85 (7.52)	1.02 (9.03)	1.13 (10.0)	1.41 (12.5)	1.70 (15.0)	2.04 (18.1)	2.26 (20.0)	2.83 (25.0)	3.06 (27.1)	3.67 (32.5)	5.10 (45.1)	6.12 (54.2)	7.65 (67.7)	7.84 (69.4)	7.84 (69.4)	7.84 (69.4)	7.84 (69.4)	7.84 (69.4)
MX8G□M (metal bearing)	90 r/min	0.094 (0.83)	0.11 (0.97)	0.15 (1.33)	0.18 (1.59)	0.23 (2.04)	0.28 (2.48)	0.31 (2.74)	0.39 (3.45)	0.47 (4.16)	0.56 (4.96)	0.63 (5.58)	0.78 (6.90)	0.84 (7.43)	1.01 (8.94)	1.41 (12.5)	1.69 (15.0)	2.12 (18.8)	2.54 (22.5)	2.83 (25.0)	3.39 (30.0)	4.24 (37.5)	5.09 (45.1)	
Rotational direction		Same as motor rotational direction												Reverse to motor rotational direction										

Permissible torque at output shaft of gear head using decimal gear head

Unit of permissible torque: upper (N·m) / lower (lb·in)

Applicable gear head Bearing	Decimal gear head	Reduction Ratio	Speed	Permissible Torque																			
				200	250	300	360	500	600	750	900	1000	1200	1500	1800								
MX8G□B (ball bearing)	MX8G10XB	1200 r/min	50 Hz	7.84 (69.4)	7.84 (69.4)	7.84 (69.4)	7.84 (69.4)	7.84 (69.4)	7.84 (69.4)	7.84 (69.4)	7.84 (69.4)	7.84 (69.4)	7.84 (69.4)	7.84 (69.4)	7.84 (69.4)	7.84 (69.4)	7.84 (69.4)	7.84 (69.4)	7.84 (69.4)	7.84 (69.4)	7.84 (69.4)	7.84 (69.4)	7.84 (69.4)
			60 Hz	7.84 (69.4)	7.84 (69.4)	7.84 (69.4)	7.84 (69.4)	7.84 (69.4)	7.84 (69.4)	7.84 (69.4)	7.84 (69.4)	7.84 (69.4)	7.84 (69.4)	7.84 (69.4)	7.84 (69.4)	7.84 (69.4)	7.84 (69.4)	7.84 (69.4)	7.84 (69.4)	7.84 (69.4)	7.84 (69.4)	7.84 (69.4)	7.84 (69.4)
MX8G□M (metal bearing)		90 r/min	5.07 (44.9)	6.34 (56.1)	6.90 (61.1)	7.84 (69.4)	7.84 (69.4)	7.84 (69.4)	7.84 (69.4)	7.84 (69.4)	7.84 (69.4)	7.84 (69.4)	7.84 (69.4)	7.84 (69.4)	7.84 (69.4)	7.84 (69.4)	7.84 (69.4)	7.84 (69.4)	7.84 (69.4)	7.84 (69.4)	7.84 (69.4)	7.84 (69.4)	7.84 (69.4)
Rotational direction		Same as motor rotational direction			Reverse to motor rotational direction																		

Speed-torque characteristics



Connection diagram

* For the connection diagram showing wiring with the speed controller, refer to pages C-6 to C-20.

* Working range line

The working range line shows the working limit for the variable speed motor. The permissible torque should fall within the shaded portion. If you use the motor with the permissible torque exceeding the working range line (falling within the portion not shaded), the motor may be burned out due to a high temperature rise or the gear tooth may be damaged.

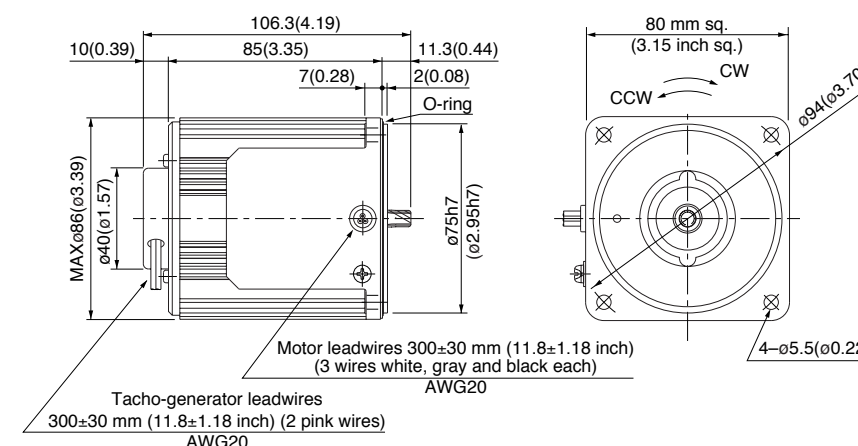
* Please read your User's manual carefully so that you will understand the operation and safety precautions before attempting to operate the system.

Motor (dimensions)

Scale: 1/3, Unit: mm (inch)

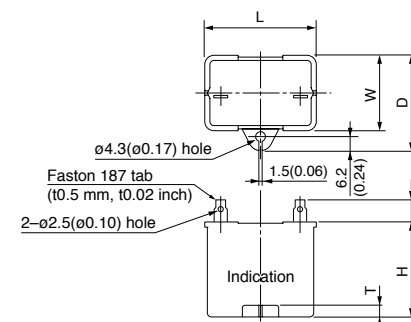
M81X25GV4L 4P 25 W 100 V
M81X25GV4Y 4P 25 W 200 V

Mass 1.5 kg 3.31 lb
Helical gear
Module 0.5
Number of teeth 9



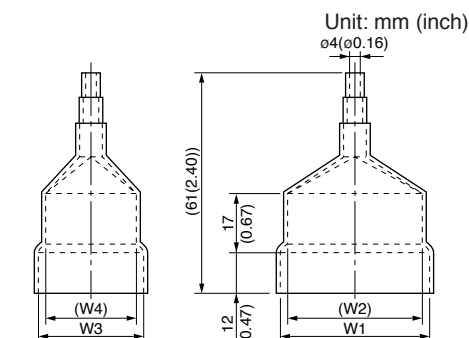
Capacitor (dimensions) [attachment]

Unit: mm (inch)



Capacitor cap (dimensions) [option]

Unit: mm (inch)



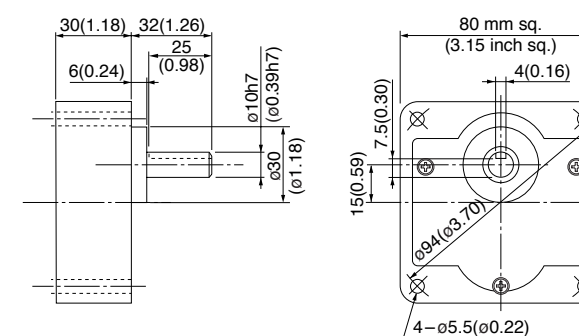
Capacitor dimension list Unit: upper (mm) / lower (inch)

Model number of motor	Model number of capacitor (attachment)	L	W	D	H	T	Capacitor cap (option)	W1	W2	W3	W4
M81X25GV4L	M0PC8M20	39.5 (1.56)	22 (0.87)	32.5 (1.28)	30.5 (1.20)	4 (0.16)	M0PC3922	39.5 (1.56)	37.5 (1.48)	22 (0.87)	20 (0.79)
M81X25GV4Y	M0PC2M40	39.5 (1.56)	22 (0.87)	32.5 (1.28)	32.5 (1.28)	4 (0.16)	M0PC3922	39.5 (1.56)	37.5 (1.48)	22 (0.87)	20 (0.79)

Gear head (dimensions)

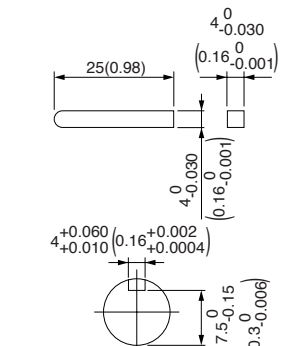
Scale: 1/3, Unit: mm (inch)

MX8G□B (ball bearing) Mass 0.6 kg (1.32 lb) MX8G□M (metal bearing) Mass 0.6 kg (1.32 lb)



Key and keyway (dimensions) [attachment]

MX8G□B(M)



(Note) Because the dimensions may be subject to change, also check the determinate dimensions if the gear head is to be used for design.

Specifications

Size	Motor model No.	Number of pole (P)	Output (W)	Voltage (V)	Frequency (Hz)	Rating (min)	Variable speed range		Starting current (A)	Starting torque N-m (oz-in)	Capacitor (μF) (rated voltage)
							Speed (r/min)	Permissible Torque N-m (oz-in) at 1200 r/min 90 r/min			
80 mm sq.	M81X25GV4LG M81X25GV4LGA	4	25	100	50	Cont.	90 to 1400	0.19 (26.9) 0.049 (6.94)	1.1	0.13 (18.4)	8 (250 V)
							90 to 1700	0.15 (21.2) 0.049 (6.94)			
	M81X25GV4DG M81X25GV4DGA	4	25	110	60	Cont.	90 to 1700	0.15 (21.2) 0.049 (6.94)	1.1	0.13 (18.4)	6 (250 V)
							90 to 1700	0.15 (21.2) 0.049 (6.94)			
	M81X25GV4YG M81X25GV4YGA	4	25	200	50	Cont.	90 to 1400	0.19 (26.9) 0.049 (6.94)	0.43	0.13 (18.4)	2.1 (450 V)
							90 to 1700	0.15 (21.2) 0.049 (6.94)			
	M81X25GV4GG M81X25GV4GGA	4	25	220	50	Cont.	90 to 1400	0.19 (26.9) 0.049 (6.94)	0.46	0.13 (18.4)	1.5 (450 V)
							90 to 1700	0.15 (21.2) 0.049 (6.94)			
	M81X25GV4GG M81X25GV4GGA	4	25	230	50	Cont.	90 to 1400	0.19 (26.9) 0.049 (6.94)	0.48	0.13 (18.4)	1.5 (450 V)
							90 to 1700	0.15 (21.2) 0.049 (6.94)			

• The specifications and wire connections of the round shaft motor are the same as those of the pinion shaft type. For the dimensional outline drawing, refer to page B-264.
 • The models with a motor model number to which "A" is suffixed are not equipped with a capacitor cap.
 • The models with a motor model number to which "A" is suffixed are not sold or available in Japan.

Permissible torque at output shaft of gear head

Unit of permissible torque: upper (N·m) / lower (lb-in)

Applicable gear head	Reduction Ratio	Speed																						
		3	3.6	5	6	7.5	9	10	12.5	15	18	20	25	30	36	50	60	75	90	100	120	150	180	
MX8G□B (ball bearing)	1200 r/min	50 Hz	0.46 (4.07)	0.55 (4.87)	0.77 (6.82)	0.92 (8.14)	1.15 (10.2)	1.39 (12.3)	1.54 (13.6)	1.92 (17.0)	2.31 (20.4)	2.77 (24.5)	3.08 (27.3)	3.85 (34.1)	4.16 (36.8)	4.99 (44.2)	6.93 (61.3)	7.84 (69.4)	7.84 (69.4)	7.84 (69.4)	7.84 (69.4)	7.84 (69.4)	7.84 (69.4)	7.84 (69.4)
		60 Hz	0.36 (3.19)	0.44 (3.89)	0.61 (5.40)	0.73 (6.46)	0.91 (8.05)	1.09 (9.65)	1.22 (10.8)	1.52 (13.5)	1.82 (16.1)	2.19 (19.4)	2.43 (21.5)	3.04 (26.9)	3.28 (29.0)	3.94 (34.9)	5.47 (48.4)	6.56 (58.1)	7.84 (69.4)	7.84 (69.4)	7.84 (69.4)	7.84 (69.4)	7.84 (69.4)	7.84 (69.4)
MX8G□M (metal bearing)	90 r/min	50 Hz	0.12 (1.06)	0.14 (1.24)	0.20 (1.77)	0.24 (2.12)	0.30 (2.66)	0.36 (3.19)	0.40 (3.54)	0.50 (4.43)	0.60 (5.31)	0.71 (6.28)	0.79 (7.00)	0.99 (8.76)	1.07 (9.47)	1.29 (11.4)	1.79 (15.8)	2.14 (18.9)	2.68 (23.7)	3.21 (28.4)	3.57 (31.6)	4.29 (38.0)	5.36 (47.4)	6.43 (56.9)
		60 Hz	0.12 (1.06)	0.14 (1.24)	0.20 (1.77)	0.24 (2.12)	0.30 (2.66)	0.36 (3.19)	0.40 (3.54)	0.50 (4.43)	0.60 (5.31)	0.71 (6.28)	0.79 (7.00)	0.99 (8.76)	1.07 (9.47)	1.29 (11.4)	1.79 (15.8)	2.14 (18.9)	2.68 (23.7)	3.21 (28.4)	3.57 (31.6)	4.29 (38.0)	5.36 (47.4)	6.43 (56.9)

Rotational direction: Same as motor rotational direction / Reverse to motor rotational direction

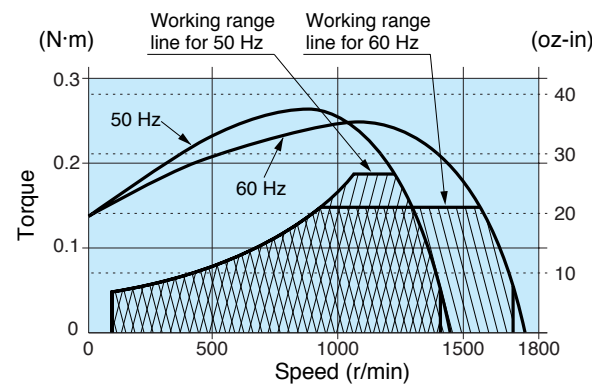
Permissible torque at output shaft of gear head using decimal gear head

Unit of permissible torque: upper (N·m) / lower (lb-in)

Applicable gear head	Reduction Ratio	Speed													
		200	250	300	360	500	600	750	900	1000	1200	1500	1800		
MX8G□B (ball bearing)	1200 r/min	50 Hz	7.84 (69.4)	7.84 (69.4)	7.84 (69.4)	7.84 (69.4)	7.84 (69.4)	7.84 (69.4)	7.84 (69.4)	7.84 (69.4)	7.84 (69.4)	7.84 (69.4)	7.84 (69.4)	7.84 (69.4)	7.84 (69.4)
		60 Hz	7.84 (69.4)	7.84 (69.4)	7.84 (69.4)	7.84 (69.4)	7.84 (69.4)	7.84 (69.4)	7.84 (69.4)	7.84 (69.4)	7.84 (69.4)	7.84 (69.4)	7.84 (69.4)	7.84 (69.4)	7.84 (69.4)
MX8G□M (metal bearing)	90 r/min	50 Hz	6.37 (56.4)	7.84 (69.4)	7.84 (69.4)	7.84 (69.4)	7.84 (69.4)	7.84 (69.4)	7.84 (69.4)	7.84 (69.4)	7.84 (69.4)	7.84 (69.4)	7.84 (69.4)	7.84 (69.4)	
		60 Hz	6.37 (56.4)	7.84 (69.4)	7.84 (69.4)	7.84 (69.4)	7.84 (69.4)	7.84 (69.4)	7.84 (69.4)	7.84 (69.4)	7.84 (69.4)	7.84 (69.4)	7.84 (69.4)	7.84 (69.4)	

Rotational direction: Same as motor rotational direction / Reverse to motor rotational direction

Speed-torque characteristics



Connection diagram

* For the connection diagram showing wiring with the speed controller, refer to pages C-6 to C-20.

* Working range line

The working range line shows the working limit for the variable speed motor. The permissible torque should fall within the shaded portion. If you use the motor with the permissible torque exceeding the working range line (falling within the portion not shaded), the motor may be burned out due to a high temperature rise or the gear tooth may be damaged.

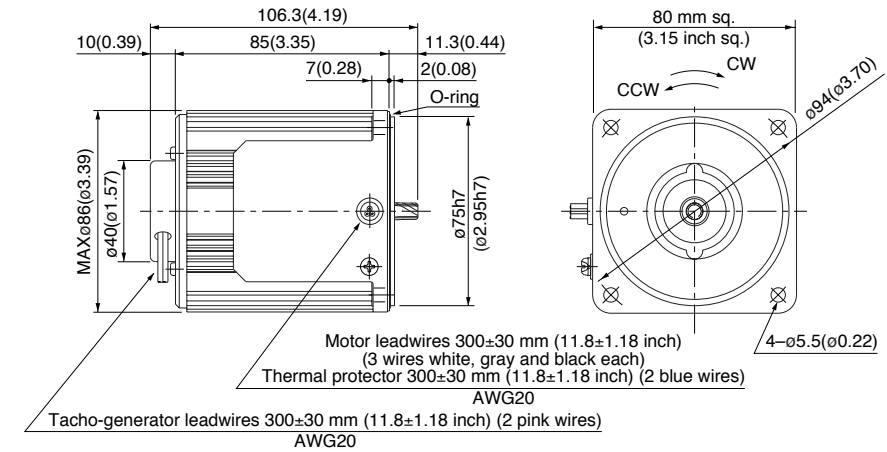
* Please read your User's manual carefully so that you will understand the operation and safety precautions before attempting to operate the system.

Motor (dimensions)

Scale: 1/3, Unit: mm (inch)

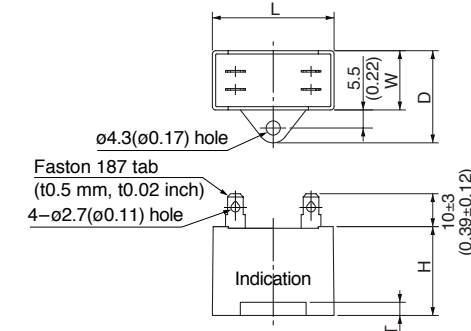
M81X25GV4LG(A)	4P 25 W 100 V
M81X25GV4DG(A)	4P 25 W 110 V / 115 V
M81X25GV4YG(A)	4P 25 W 200 V
M81X25GV4GG(A)	4P 25 W 220 V / 230 V

Mass	Helical gear	Module	Number of teeth
1.5 kg 3.31 lb		0.5	9



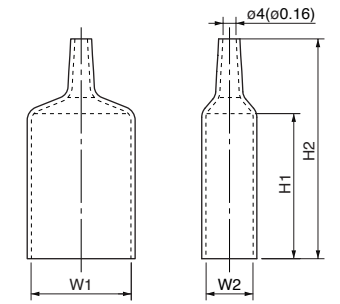
Capacitor (dimensions) [attachment]

Unit: mm (inch)



Capacitor cap (dimensions) [attachment]

Unit: mm (inch)



Capacitor dimension list

Unit: upper (mm) / lower (inch)

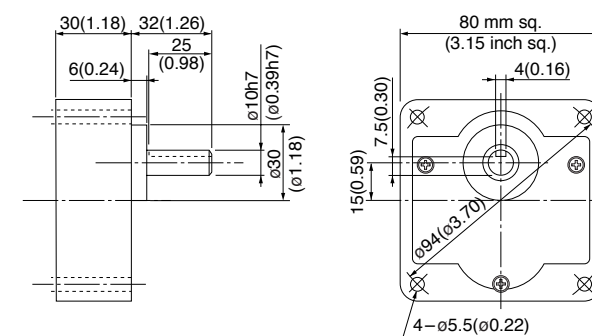
Model number of motor	Model number of capacitor (attachment)	L	W	D	H	T	Capacitor cap (attachment)	W1	W2	H1	H2
M81X25GV4LG(A)	M0PC8M25G	48 (1.89)	21 (0.83)	31 (1.22)	31 (1.22)	4 (0.16)	M0PC4821G	48 (1.89)	21 (0.83)	55 (2.17)	78 (3.07)
M81X25GV4DG(A)	M0PC6M25G	38 (1.50)	21 (0.83)	31 (1.22)	31 (1.22)	4 (0.16)	M0PC3821G	38 (1.50)	21 (0.83)	55 (2.17)	78 (3.07)
M81X25GV4YG(A)	M0PC2.1M45G	48 (1.89)	21 (0.83)	31 (1.22)	31 (1.22)	4 (0.16)	M0PC4821G	48 (1.89)	21 (0.83)	55 (2.17)	78 (3.07)
M81X25GV4GG(A)	M0PC1.5M45G	38 (1.50)	21 (0.83)	31 (1.22)	31 (1.22)	4 (0.16)	M0PC3821G	38 (1.50)	21 (0.83)	55 (2.17)	78 (3.07)

* The models with a motor model number to which "A" is suffixed are not equipped with a capacitor cap.

Gear head (dimensions)

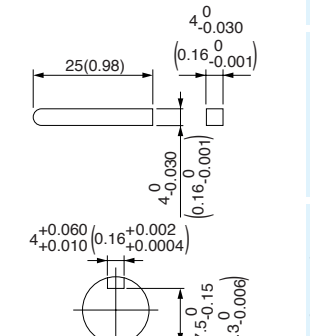
Scale: 1/3, Unit: mm (inch)

MX8G□B (ball bearing) Mass 0.6 kg (1.32 lb) MX8G□M (metal bearing) Mass 0.6 kg (1.32 lb)



Key and keyway (dimensions) [attachment]

MX8G□B(M)



(Note) Because the dimensions may be subject to change, also check the determinate dimensions if the gear head is to be used for design.

Specifications

Size	Motor model No.	Number of pole (P)	Output (W)	Voltage (V)	Frequency (Hz)	Rating (min)	Variable speed range		Permissible Torque N·m (oz·in)		Starting current (A)	Starting torque N·m (oz·in)	Capacitor (μF) (rated voltage)
							Speed (r/min)	at 1200 r/min	at 90 r/min	at 1200 r/min			
90 mm sq.	M91X40GV4L	4	40	100	50	Cont.	90 to 1400	0.30 (42.5)	0.049 (6.94)	1.6	0.25 (35.4)	12 (200 V)	
							90 to 1700	0.24 (34.0)	0.049 (6.94)	1.6	0.25 (35.4)		
	M91X40GV4Y	4	40	200	50	Cont.	90 to 1400	0.30 (42.5)	0.049 (6.94)	0.8	0.25 (35.4)	3 (400 V)	
							90 to 1700	0.24 (34.0)	0.049 (6.94)	0.8	0.25 (35.4)		

* The specifications and wire connections of the round shaft motor are the same as those of the pinion shaft type. For the dimensional outline drawing, refer to page B-265.

Permissible torque at output shaft of gear head

Unit of permissible torque: upper (N·m) / lower (lb·in)

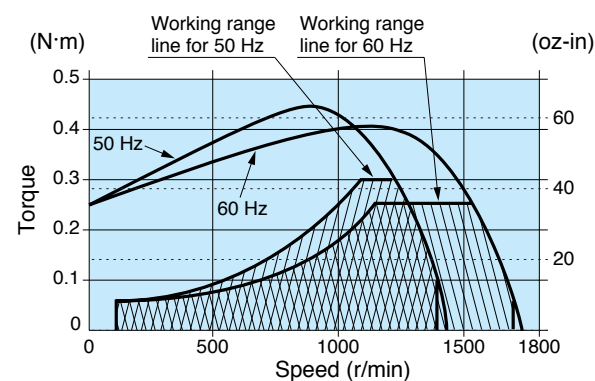
Applicable gear head Bearing	Reduction Ratio	Speed	Speed																						
			3	3.6	5	6	7.5	9	10	12.5	15	18	20	25	30	36	50	60	75	90	100	120	150	180	
MX9G□B (ball bearing)	1200 r/min	50 Hz	0.72 (6.37)	0.87 (7.70)	1.21 (10.7)	1.45 (12.8)	1.82 (16.1)	2.18 (19.3)	2.43 (21.5)	3.03 (26.8)	3.64 (32.2)	4.37 (38.7)	4.86 (43.0)	6.07 (53.7)	6.54 (57.9)	7.84 (69.4)	9.80 (86.7)	9.80 (86.7)	9.80 (86.7)	9.80 (86.7)	9.80 (86.7)	9.80 (86.7)	9.80 (86.7)	9.80 (86.7)	9.80 (86.7)
		60 Hz	0.58 (5.13)	0.69 (6.11)	0.97 (8.59)	1.16 (10.3)	1.45 (12.8)	1.74 (15.4)	1.92 (17.0)	2.42 (21.4)	2.91 (25.8)	3.49 (30.9)	3.88 (34.3)	4.85 (42.9)	5.23 (46.3)	6.26 (55.4)	8.70 (77.0)	9.80 (86.7)	9.80 (86.7)	9.80 (86.7)	9.80 (86.7)	9.80 (86.7)	9.80 (86.7)	9.80 (86.7)	9.80 (86.7)
MX9G□M (metal bearing)	90 r/min	0.11 (0.97)	0.14 (1.24)	0.19 (1.68)	0.23 (2.04)	0.29 (2.57)	0.35 (3.10)	0.39 (3.45)	0.49 (4.34)	0.59 (5.22)	0.71 (6.28)	0.79 (6.99)	0.99 (8.76)	1.06 (9.38)	1.28 (11.3)	1.78 (15.8)	2.13 (18.9)	2.67 (23.6)	3.20 (28.3)	3.56 (31.5)	4.27 (37.8)	5.34 (47.3)	6.40 (56.6)		
Rotational direction		Same as motor rotational direction												Reverse to motor rotational direction											

Permissible torque at output shaft of gear head using decimal gear head

Unit of permissible torque: upper (N·m) / lower (lb·in)

Applicable gear head Bearing	Decimal gear head	Reduction Ratio	Speed	Speed																				
				200	250	300	360	500	600	750	900	1000	1200	1500	1800									
MX9G□B (ball bearing)	MX9G10XB	1200 r/min	50 Hz	9.80 (86.7)	9.80 (86.7)	9.80 (86.7)	9.80 (86.7)	9.80 (86.7)	9.80 (86.7)	9.80 (86.7)	9.80 (86.7)	9.80 (86.7)	9.80 (86.7)	9.80 (86.7)	9.80 (86.7)	9.80 (86.7)	9.80 (86.7)	9.80 (86.7)	9.80 (86.7)	9.80 (86.7)	9.80 (86.7)	9.80 (86.7)	9.80 (86.7)	9.80 (86.7)
			60 Hz	9.80 (86.7)	9.80 (86.7)	9.80 (86.7)	9.80 (86.7)	9.80 (86.7)	9.80 (86.7)	9.80 (86.7)	9.80 (86.7)	9.80 (86.7)	9.80 (86.7)	9.80 (86.7)	9.80 (86.7)	9.80 (86.7)	9.80 (86.7)	9.80 (86.7)	9.80 (86.7)	9.80 (86.7)	9.80 (86.7)	9.80 (86.7)	9.80 (86.7)	9.80 (86.7)
MX9G□M (metal bearing)	90 r/min	6.37 (56.4)	7.96 (70.4)	8.67 (76.7)	9.80 (86.7)	9.80 (86.7)	9.80 (86.7)	9.80 (86.7)	9.80 (86.7)	9.80 (86.7)	9.80 (86.7)	9.80 (86.7)	9.80 (86.7)	9.80 (86.7)	9.80 (86.7)	9.80 (86.7)	9.80 (86.7)	9.80 (86.7)	9.80 (86.7)	9.80 (86.7)	9.80 (86.7)	9.80 (86.7)	9.80 (86.7)	9.80 (86.7)
Rotational direction		Same as motor rotational direction												Reverse to motor rotational direction										

Speed-torque characteristics



Connection diagram

* For the connection diagram showing wiring with the speed controller, refer to pages C-6 to C-20.

* Working range line

The working range line shows the working limit for the variable speed motor. The permissible torque should fall within the shaded portion. If you use the motor with the permissible torque exceeding the working range line (falling within the portion not shaded), the motor may be burned out due to a high temperature rise or the gear tooth may be damaged.

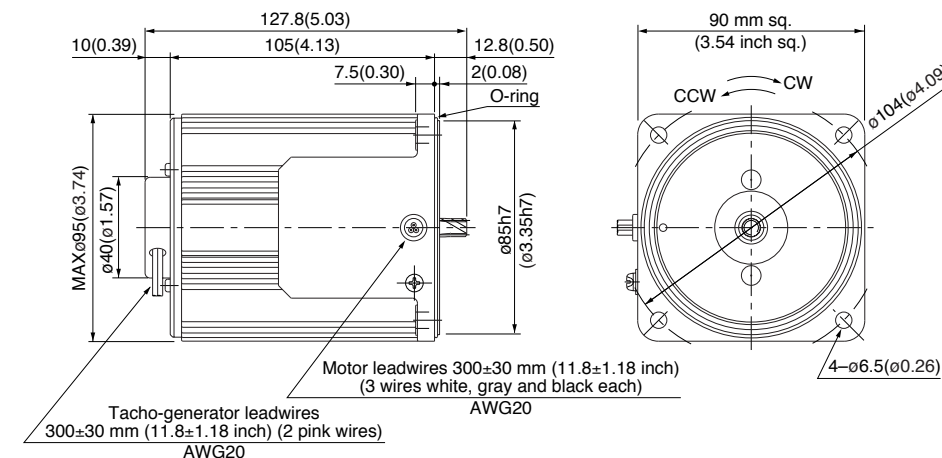
* Please read your User's manual carefully so that you will understand the operation and safety precautions before attempting to operate the system.

Motor (dimensions)

Scale: 1/3, Unit: mm (inch)

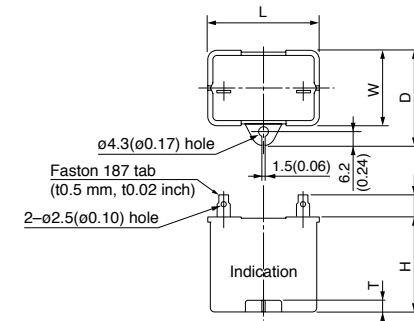
M91X40GV4L	4P 40 W 100 V
M91X40GV4Y	4P 40 W 200 V

Mass	Helical gear	Module	Number of teeth
2.4 kg 5.29 lb		0.55	9



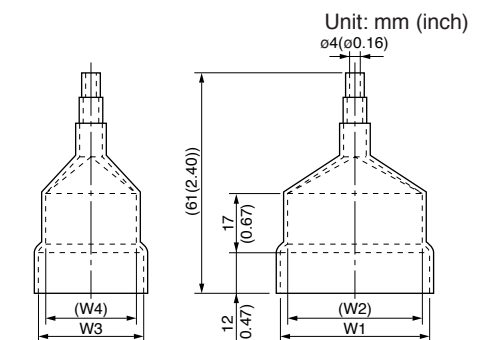
Capacitor (dimensions) [attachment]

Unit: mm (inch)



Capacitor cap (dimensions) [option]

Unit: mm (inch)



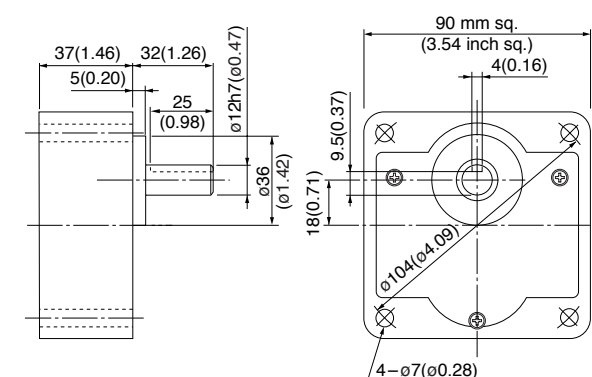
Capacitor dimension list Unit: upper (mm) / lower (inch)

Model number of motor	Model number of capacitor (attachment)	L	W	D	H	T	Capacitor cap (option)	W1	W2	W3	W4
M91X40GV4L	M0PC12M20	39.5 (1.56)	26.7 (1.05)	37 (1.46)	32 (1.26)	4 (0.16)	M0PC3926	39.5 (1.56)	37.5 (1.48)	26 (1.02)	25 (0.98)
M91X40GV4Y	M0PC3M40	49.7 (1.96)	24 (0.94)	34.5 (1.36)	34.5 (1.36)	4 (0.16)	M0PC5026	50 (1.97)	48 (1.89)	26 (1.02)	22 (0.87)

Gear head (dimensions)

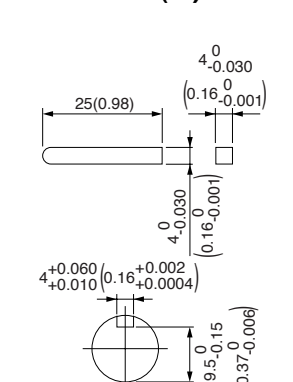
Scale: 1/3, Unit: mm (inch)

MX9G□B (ball bearing)	Mass 0.8 kg (1.76 lb)	MX9G□M (metal bearing)	Mass 0.8 kg (1.76 lb)
-----------------------	-----------------------	------------------------	-----------------------



Key and keyway (dimensions) [attachment]

MX9G□B(M)



(Note) Because the dimensions may be subject to change, also check the determinate dimensions if the gear head is to be used for design.

Specifications

Size	Motor model No.	Number of pole (P)	Output (W)	Voltage (V)	Frequency (Hz)	Rating (min)	Variable speed range		Permissible Torque N·m (oz·in)		Starting current (A)	Starting torque N·m (oz·in)	Capacitor (μF) (rated voltage)
							Speed (r/min)	at 1200 r/min	at 90 r/min				
90 mm sq.	M91X40GV4LG M91X40GV4LGA	4	40	100	50	Cont.	90 to 1400	0.30 (42.5)	0.078 (11.0)	1.7	0.23 (32.6)	12 (250 V)	
					60		90 to 1700	0.24 (34.0)	0.078 (11.0)	1.5	0.23 (32.6)		
	M91X40GV4DG M91X40GV4DGA	4	40	110	60	Cont.	90 to 1700	0.24 (34.0)	0.078 (11.0)	1.7	0.23 (32.6)	10 (250 V)	
					60		90 to 1700	0.24 (34.0)	0.078 (11.0)	1.8	0.25 (35.4)		
	M91X40GV4YG M91X40GV4YGA	4	40	200	50	Cont.	90 to 1400	0.30 (42.5)	0.078 (11.0)	0.64	0.23 (32.6)	3 (450 V)	
					60		90 to 1700	0.24 (34.0)	0.078 (11.0)	0.62	0.23 (32.6)		
	M91X40GV4GG M91X40GV4GGA	4	40	220	50	Cont.	90 to 1400	0.30 (42.5)	0.078 (11.0)	0.69	0.23 (32.6)	2.5 (450 V)	
					60		90 to 1700	0.24 (34.0)	0.078 (11.0)	0.65	0.23 (32.6)		
					230	Cont.	90 to 1400	0.30 (42.5)	0.078 (11.0)	0.72	0.25 (35.4)		
							60	90 to 1700	0.24 (34.0)	0.078 (11.0)	0.68		0.25 (35.4)

• The specifications and wire connections of the round shaft motor are the same as those of the pinion shaft type. For the dimensional outline drawing, refer to page B-265.
 • The models with a motor model number to which "A" is suffixed are not equipped with a capacitor cap.
 • The models with a motor model number to which "A" is suffixed are not sold or available in Japan.

Permissible torque at output shaft of gear head

Unit of permissible torque: upper (N·m) / lower (lb·in)

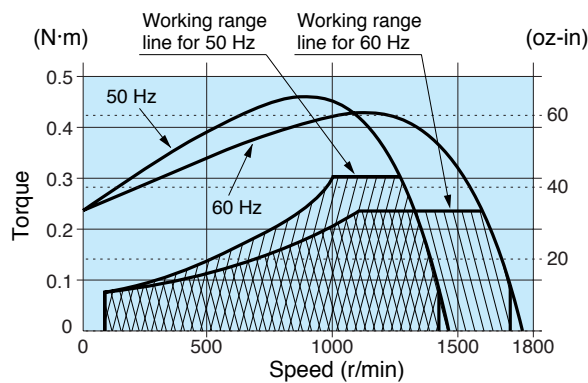
Applicable gear head	Reduction Ratio	Speed																						
		3	3.6	5	6	7.5	9	10	12.5	15	18	20	25	30	36	50	60	75	90	100	120	150	180	
MX9G□B (ball bearing)	1200 r/min	50 Hz	0.73 (6.46)	0.87 (7.70)	1.22 (10.8)	1.46 (12.9)	1.82 (16.1)	2.19 (19.4)	2.43 (21.5)	3.04 (26.9)	3.65 (32.3)	4.37 (38.7)	4.86 (43.0)	6.08 (53.8)	6.56 (58.1)	7.87 (69.7)	9.80 (86.7)	9.80 (86.7)	9.80 (86.7)	9.80 (86.7)	9.80 (86.7)	9.80 (86.7)	9.80 (86.7)	9.80 (86.7)
		60 Hz	0.58 (5.13)	0.70 (6.20)	0.97 (8.59)	1.17 (10.4)	1.46 (12.9)	1.75 (15.5)	1.94 (17.2)	2.43 (21.5)	2.92 (25.8)	3.50 (31.0)	3.89 (34.4)	4.86 (43.0)	5.25 (46.5)	6.30 (55.8)	8.75 (77.4)	9.80 (86.7)	9.80 (86.7)	9.80 (86.7)	9.80 (86.7)	9.80 (86.7)	9.80 (86.7)	9.80 (86.7)
MX9G□M (metal bearing)	90 r/min	50 Hz	0.19 (1.68)	0.23 (2.04)	0.32 (2.83)	0.38 (3.36)	0.47 (4.16)	0.57 (5.04)	0.63 (5.58)	0.79 (6.99)	0.95 (8.41)	1.14 (10.1)	1.26 (11.2)	1.58 (14.0)	1.71 (15.1)	2.05 (18.1)	2.84 (25.1)	3.41 (30.2)	4.26 (37.7)	5.12 (45.3)	5.69 (50.4)	6.82 (60.4)	8.53 (75.5)	9.80 (86.7)
		60 Hz	0.19 (1.68)	0.23 (2.04)	0.32 (2.83)	0.38 (3.36)	0.47 (4.16)	0.57 (5.04)	0.63 (5.58)	0.79 (6.99)	0.95 (8.41)	1.14 (10.1)	1.26 (11.2)	1.58 (14.0)	1.71 (15.1)	2.05 (18.1)	2.84 (25.1)	3.41 (30.2)	4.26 (37.7)	5.12 (45.3)	5.69 (50.4)	6.82 (60.4)	8.53 (75.5)	9.80 (86.7)
Rotational direction		Same as motor rotational direction											Reverse to motor rotational direction											

Permissible torque at output shaft of gear head using decimal gear head

Unit of permissible torque: upper (N·m) / lower (lb·in)

Applicable gear head	Reduction Ratio	Speed													
		200	250	300	360	500	600	750	900	1000	1200	1500	1800		
MX9G□B (ball bearing)	1200 r/min	50 Hz	9.80 (86.7)	9.80 (86.7)	9.80 (86.7)	9.80 (86.7)	9.80 (86.7)	9.80 (86.7)	9.80 (86.7)	9.80 (86.7)	9.80 (86.7)	9.80 (86.7)	9.80 (86.7)	9.80 (86.7)	9.80 (86.7)
		60 Hz	9.80 (86.7)	9.80 (86.7)	9.80 (86.7)	9.80 (86.7)	9.80 (86.7)	9.80 (86.7)	9.80 (86.7)	9.80 (86.7)	9.80 (86.7)	9.80 (86.7)	9.80 (86.7)	9.80 (86.7)	9.80 (86.7)
MX9G□M (metal bearing)	90 r/min	50 Hz	9.80 (86.7)	9.80 (86.7)	9.80 (86.7)	9.80 (86.7)	9.80 (86.7)	9.80 (86.7)	9.80 (86.7)	9.80 (86.7)	9.80 (86.7)	9.80 (86.7)	9.80 (86.7)	9.80 (86.7)	
		60 Hz	9.80 (86.7)	9.80 (86.7)	9.80 (86.7)	9.80 (86.7)	9.80 (86.7)	9.80 (86.7)	9.80 (86.7)	9.80 (86.7)	9.80 (86.7)	9.80 (86.7)	9.80 (86.7)	9.80 (86.7)	
Rotational direction		Same as motor rotational direction												Reverse to motor rotational direction	

Speed-torque characteristics



Connection diagram

* For the connection diagram showing wiring with the speed controller, refer to pages C-6 to C-20.

* Working range line

The working range line shows the working limit for the variable speed motor. The permissible torque should fall within the shaded portion. If you use the motor with the permissible torque exceeding the working range line (falling within the portion not shaded), the motor may be burned out due to a high temperature rise or the gear tooth may be damaged.

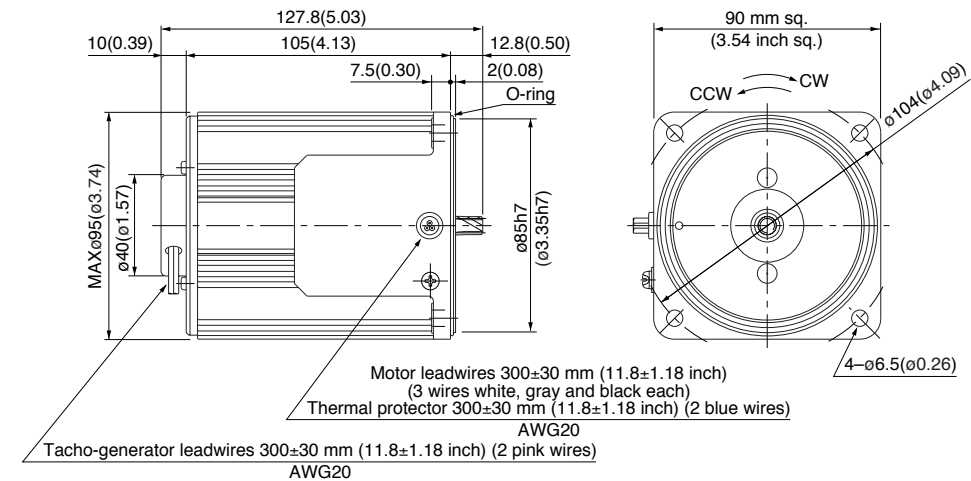
* Please read your User's manual carefully so that you will understand the operation and safety precautions before attempting to operate the system.

Motor (dimensions)

Scale: 1/3, Unit: mm (inch)

M91X40GV4LG(A)	4P 40 W 100 V
M91X40GV4DG(A)	4P 40 W 110 V / 115 V
M91X40GV4YG(A)	4P 40 W 200 V
M91X40GV4GG(A)	4P 40 W 220 V / 230 V

Mass	Helical gear	Module	Number of teeth
2.4 kg 5.29 lb		0.55	9

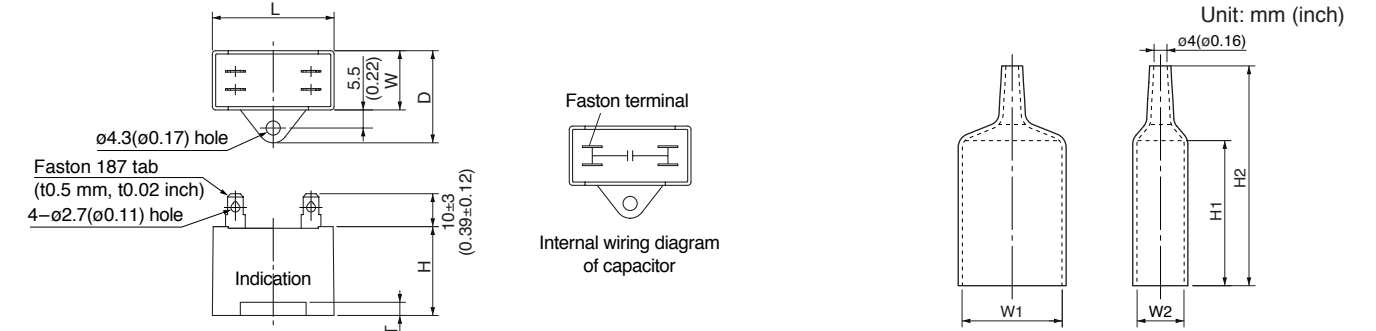


Capacitor (dimensions) [attachment]

Unit: mm (inch)

Capacitor cap (dimensions) [attachment]

Unit: mm (inch)



Capacitor dimension list Unit: upper (mm) / lower (inch)

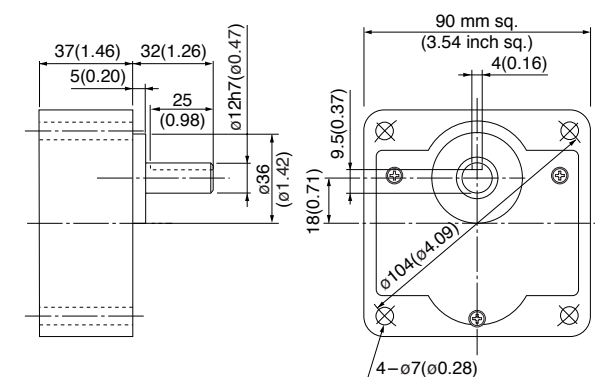
Model number of motor	Model number of capacitor (attachment)	L	W	D	H	T	Capacitor cap (attachment)	W1	W2	H1	H2
M91X40GV4LG(A)	M0PC12M25G	58 (2.28)	22 (0.87)	32 (1.26)	35 (1.38)	4 (0.16)	M0PC5822G	58 (2.28)	22 (0.87)	55 (2.17)	78 (3.07)
M91X40GV4DG(A)	M0PC10M25G	58 (2.28)	21 (0.83)	31 (1.22)	31 (1.22)	4 (0.16)	M0PC5821G	58 (2.28)	21 (0.83)	55 (2.17)	78 (3.07)
M91X40GV4YG(A)	M0PC3M45G	58 (2.28)	21 (0.83)	31 (1.22)	31 (1.22)	4 (0.16)	M0PC4821G	48 (1.89)	21 (0.83)	55 (2.17)	78 (3.07)
M91X40GV4GG(A)	M0PC2.5M45G	48 (1.89)	21 (0.83)	31 (1.22)	31 (1.22)	4 (0.16)	M0PC4821G	48 (1.89)	21 (0.83)	55 (2.17)	78 (3.07)

* The models with a motor model number to which "A" is suffixed are not equipped with a capacitor cap.

Gear head (dimensions)

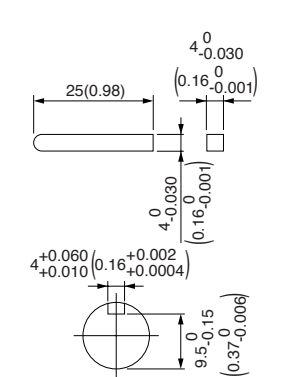
Scale: 1/3, Unit: mm (inch)

MX9G□B (ball bearing)	Mass 0.8 kg (1.76 lb)	MX9G□M (metal bearing)	Mass 0.8 kg (1.76 lb)
-----------------------	-----------------------	------------------------	-----------------------



Key and keyway (dimensions) [attachment]

MX9G□B(M)



(Note) Because the dimensions may be subject to change, also check the determinate dimensions if the gear head is to be used for design.

Specifications

Size	Motor model No.	Number of pole (P)	Output (W)	Voltage (V)	Frequency (Hz)	Rating (min)	Variable speed range		Permissible Torque N·m (oz·in)		Starting current (A)	Starting torque N·m (oz·in)	Capacitor (μF) (rated voltage)
							Speed (r/min)	at 1200 r/min	at 90 r/min				
90 mm sq.	M91Z60GV4L	4	60	100	50	Cont.	90 to 1400	0.43 (60.9)	0.078 (11.0)	2.3	0.46 (65.1)	20 (200 V)	
					60		90 to 1700	0.36 (51.0)	0.078 (11.0)	2.4	0.46 (65.1)		
	M91Z60GV4Y	4	60	200	50	Cont.	90 to 1400	0.43 (60.9)	0.078 (11.0)	1.2	0.46 (65.1)	5 (400 V)	
					60		90 to 1700	0.36 (51.0)	0.078 (11.0)	1.2	0.46 (65.1)		

* The specifications and wire connections of the round shaft motor are the same as those of the pinion shaft type. For the dimensional outline drawing, refer to page B-265.

Permissible torque at output shaft of gear head

Unit of permissible torque: upper (N·m) / lower (lb·in)

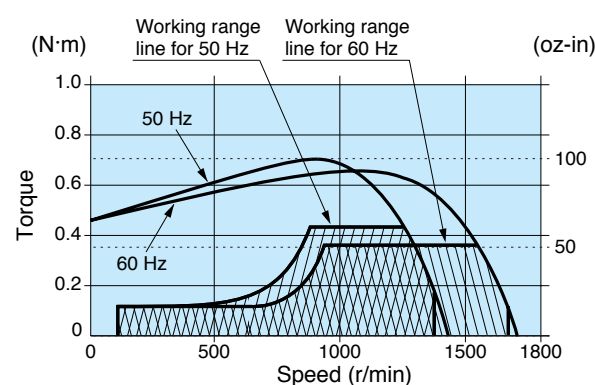
Applicable gear head Bearing	Reduction Ratio	Speed	Permissible Torque																						
			3	3.6	5	6	7.5	9	10	12.5	15	18	20	25	30	36	50	60	75	90	100	120	150	180	200
MZ9G□B (ball bearing) (hinge not attached)	1200 r/min	50 Hz	0.98 (8.67)	1.17 (10.4)	1.57 (13.9)	1.87 (16.6)	2.35 (20.8)	2.80 (24.8)	3.14 (27.8)	3.92 (34.7)	4.70 (41.6)	5.60 (49.6)	6.27 (55.5)	7.55 (66.8)	9.01 (79.8)	10.8 (95.6)	15.2 (135)	18.1 (160)	19.6 (173)	19.6 (173)	19.6 (173)	19.6 (173)	19.6 (173)	19.6 (173)	19.6 (173)
		60 Hz	0.82 (7.26)	0.98 (8.67)	1.31 (11.6)	1.57 (13.9)	1.96 (17.4)	2.35 (20.8)	2.62 (23.2)	3.28 (29.0)	3.92 (34.7)	4.70 (41.6)	5.29 (46.8)	6.32 (55.9)	7.55 (66.8)	9.11 (80.6)	12.7 (112)	15.2 (135)	19.0 (168)	19.6 (173)	19.6 (173)	19.6 (173)	19.6 (173)	19.6 (173)	19.6 (173)
MY9G□B (ball bearing) (hinge attached)	90 r/min	50 Hz	0.18 (1.59)	0.22 (1.95)	0.31 (2.74)	0.37 (3.27)	0.47 (4.16)	0.56 (4.96)	0.63 (5.58)	0.70 (6.20)	0.84 (7.43)	1.00 (8.85)	1.12 (9.91)	1.40 (12.4)	1.68 (14.9)	1.81 (16.0)	2.50 (22.1)	3.00 (26.6)	3.75 (33.2)	4.50 (39.8)	5.00 (44.3)	6.00 (53.1)	7.50 (66.4)	9.00 (79.7)	10.0 (88.5)
		60 Hz	0.18 (1.59)	0.22 (1.95)	0.31 (2.74)	0.37 (3.27)	0.47 (4.16)	0.56 (4.96)	0.63 (5.58)	0.70 (6.20)	0.84 (7.43)	1.00 (8.85)	1.12 (9.91)	1.40 (12.4)	1.68 (14.9)	1.81 (16.0)	2.50 (22.1)	3.00 (26.6)	3.75 (33.2)	4.50 (39.8)	5.00 (44.3)	6.00 (53.1)	7.50 (66.4)	9.00 (79.7)	10.0 (88.5)
Rotational direction		Same as motor rotational direction						Reverse to motor rotational direction						Same as motor rotational direction											

Permissible torque at output shaft of gear head using decimal gear head

Unit of permissible torque: upper (N·m) / lower (lb·in)

Applicable gear head Bearing	Decimal gear head	Reduction Ratio	Speed	Permissible Torque																				
				250	300	360	500	600	750	900	1000	1200	1500	1800	2000									
MZ9G□B (ball bearing) (hinge not attached)	MZ9G10XB	1200 r/min	50 Hz	19.6 (173)	19.6 (173)	19.6 (173)	19.6 (173)	19.6 (173)	19.6 (173)	19.6 (173)	19.6 (173)	19.6 (173)	19.6 (173)	19.6 (173)	19.6 (173)	19.6 (173)	19.6 (173)	19.6 (173)	19.6 (173)	19.6 (173)	19.6 (173)	19.6 (173)	19.6 (173)	19.6 (173)
			60 Hz	19.6 (173)	19.6 (173)	19.6 (173)	19.6 (173)	19.6 (173)	19.6 (173)	19.6 (173)	19.6 (173)	19.6 (173)	19.6 (173)	19.6 (173)	19.6 (173)	19.6 (173)	19.6 (173)	19.6 (173)	19.6 (173)	19.6 (173)	19.6 (173)	19.6 (173)	19.6 (173)	19.6 (173)
MY9G□B (ball bearing) (hinge attached)	MZ9G10XB	90 r/min	50 Hz	11.5 (102)	13.8 (122)	14.9 (132)	19.6 (173)	19.6 (173)	19.6 (173)	19.6 (173)	19.6 (173)	19.6 (173)	19.6 (173)	19.6 (173)	19.6 (173)	19.6 (173)	19.6 (173)	19.6 (173)	19.6 (173)	19.6 (173)	19.6 (173)	19.6 (173)	19.6 (173)	19.6 (173)
			60 Hz	11.5 (102)	13.8 (122)	14.9 (132)	19.6 (173)	19.6 (173)	19.6 (173)	19.6 (173)	19.6 (173)	19.6 (173)	19.6 (173)	19.6 (173)	19.6 (173)	19.6 (173)	19.6 (173)	19.6 (173)	19.6 (173)	19.6 (173)	19.6 (173)	19.6 (173)	19.6 (173)	19.6 (173)
Rotational direction		Same as motor rotational direction				Reverse to motor rotational direction																		

Speed-torque characteristics



Connection diagram

* For the connection diagram showing wiring with the speed controller, refer to pages C-6 to C-20.

* Working range line

The working range line shows the working limit for the variable speed motor. The permissible torque should fall within the shaded portion. If you use the motor with the permissible torque exceeding the working range line (falling within the portion not shaded), the motor may be burned out due to a high temperature rise or the gear tooth may be damaged.

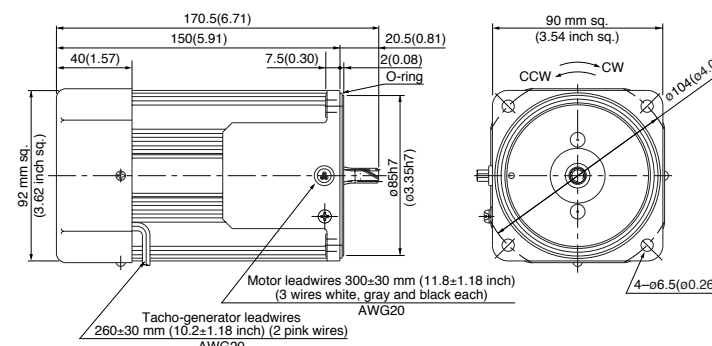
* Please read your User's manual carefully so that you will understand the operation and safety precautions before attempting to operate the system.

Motor (dimensions)

Scale: 1/4, Unit: mm (inch)

M91Z60GV4L 4P 60 W 100 V (with fan)
M91Z60GV4Y 4P 60 W 200 V (with fan)

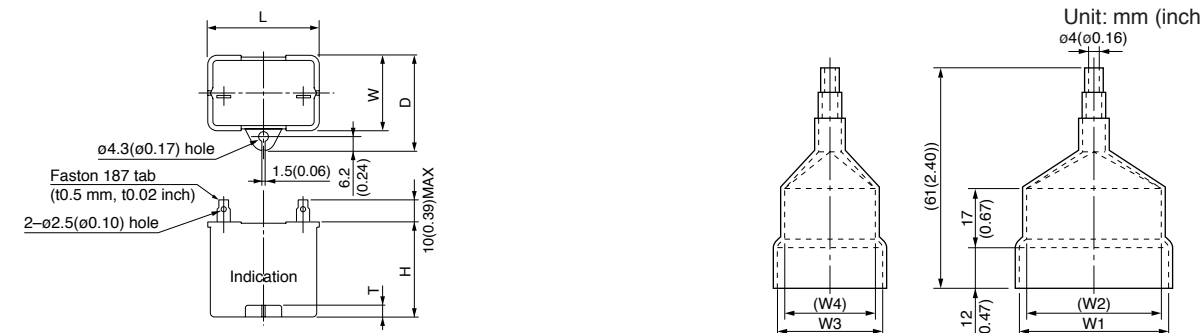
Mass 2.7 kg 5.95 lb
Helical gear
Module 0.6
Number of teeth 9



Capacitor (dimensions) [attachment]

Unit: mm (inch)

Capacitor cap (dimensions) [option]



Capacitor dimension list

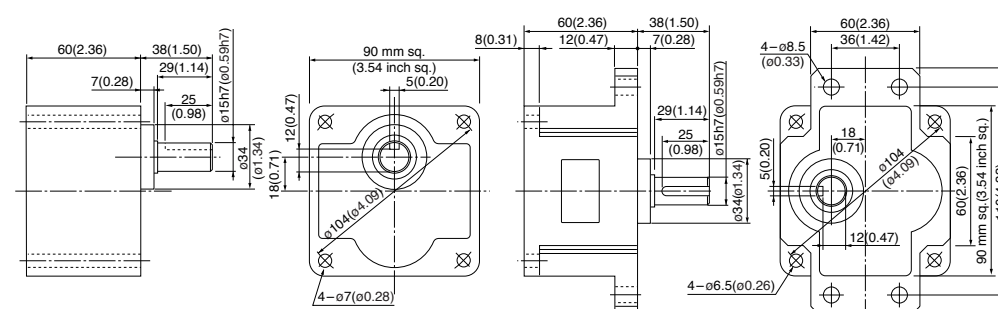
Model number of motor	Model number of capacitor (attachment)	L	W	D	H	T	Capacitor cap (option)	W1	W2	W3	W4
M91Z60GV4L	M0PC20M20	50.2 (1.98)	26.7 (1.05)	37 (1.46)	36 (1.42)	5 (0.20)	M0PC5026	50 (1.97)	48 (1.89)	26 (1.02)	22 (0.87)
M91Z60GV4Y	M0PC5M40	50 (1.97)	30.5 (1.20)	41 (1.61)	41.5 (1.63)	4 (0.16)	M0PC5032	50 (1.97)	48 (1.89)	32.5 (1.28)	29.5 (1.16)

Gear head (dimensions)

Scale: 1/4, Unit: mm (inch)

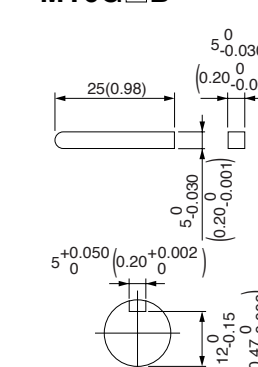
MZ9G□B (ball bearing / hinge not attached)
Mass 1.4 kg (3.09 lb)

MY9G□B (ball bearing / hinge attached)
Mass 1.4 kg (3.09 lb)



Key and keyway (dimensions) [attachment]

MZ9G□B
MY9G□B



Note) MZ / MY is available for a gear head of either type.

(Note) Because the dimensions may be subject to change, also check the determinate dimensions if the gear head is to be used for design.

Specifications

Size	Motor model No.	Number of pole (P)	Output (W)	Voltage (V)	Frequency (Hz)	Rating (min)	Variable speed range		Starting current (A)	Starting torque N-m (oz-in)	Capacitor (μF) (rated voltage)	
							Speed (r/min)	Permissible Torque N-m (oz-in) at				
90 mm sq.	M91Z60GV4LG M91Z60GV4LGA	4	60	100	50	Cont.	90 to 1400	0.44 (62.3)	0.10 (14.2)	3.0	0.37 (52.4)	20
					60		90 to 1700	0.35 (49.6)	0.10 (14.2)	2.7	0.37 (52.4)	(250 V)
	M91Z60GV4DG M91Z60GV4DGA	4	60	110	Cont.	90 to 1700	0.35 (49.6)	0.10 (14.2)	3.0	0.40 (56.6)	18	
				115		60	90 to 1700	0.35 (49.6)	0.10 (14.2)	3.1	0.43 (60.9)	(250 V)
	M91Z60GV4YG M91Z60GV4YGA	4	60	200	Cont.	90 to 1400	0.44 (62.3)	0.10 (14.2)	1.3	0.37 (52.4)	5	
				60		90 to 1700	0.35 (49.6)	0.10 (14.2)	1.2	0.37 (52.4)	(450 V)	
	M91Z60GV4GG M91Z60GV4GGA	4	60	220	Cont.	90 to 1400	0.44 (62.3)	0.10 (14.2)	1.5	0.40 (56.6)	5	
				60		90 to 1700	0.35 (49.6)	0.10 (14.2)	1.3	0.40 (56.6)	(450 V)	
				230	Cont.	90 to 1400	0.44 (62.3)	0.10 (14.2)	1.5	0.43 (60.9)	5	
				60		90 to 1700	0.35 (49.6)	0.10 (14.2)	1.4	0.43 (60.9)	(450 V)	
	M91Z60GV4GGB M91Z60GV4GGC	4	60	220	Cont.	90 to 1400	0.44 (62.3)	0.10 (14.2)	1.1	0.40 (56.6)	4	
				60		90 to 1700	0.35 (49.6)	0.10 (14.2)	1.0	0.40 (56.6)	(450 V)	
			230	Cont.	90 to 1400	0.44 (62.3)	0.10 (14.2)	1.1	0.43 (60.9)	4		
			60		90 to 1700	0.35 (49.6)	0.10 (14.2)	1.0	0.43 (60.9)	(450 V)		

• The specifications and wire connections of the round shaft motor are the same as those of the pinion shaft type. For the dimensional outline drawing, refer to page B-265.
 • The models with a motor model number to which "A" or "B" is suffixed are not equipped with a capacitor cap.
 • The models with a motor model number to which "A" or "B" is suffixed are not sold or available in Japan.

Permissible torque at output shaft of gear head

Unit of permissible torque: upper (N-m) / lower (lb-in)

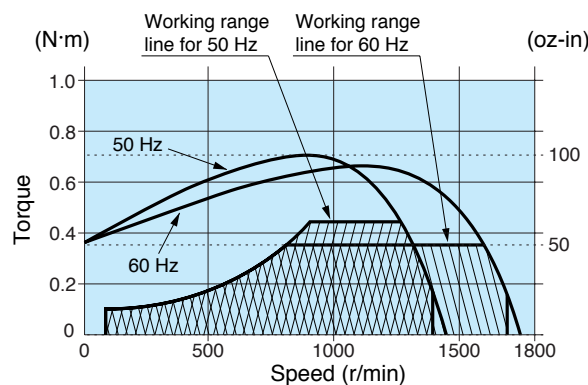
Applicable gear head	Reduction Ratio	Speed	Permissible Torque																						
			3	3.6	5	6	7.5	9	10	12.5	15	18	20	25	30	36	50	60	75	90	100	120	150	180	200
MZ9G□B (ball bearing) (hinge not attached)	1200 r/min	50 Hz	1.07 (9.47)	1.28 (11.3)	1.78 (15.8)	2.14 (18.9)	2.67 (23.6)	3.21 (28.4)	3.56 (31.5)	4.01 (35.5)	4.81 (42.6)	5.77 (51.1)	6.42 (56.8)	8.02 (71.0)	9.62 (85.1)	10.4 (92.0)	14.4 (127)	17.3 (153)	19.6 (173)	19.6 (173)	19.6 (173)	19.6 (173)	19.6 (173)	19.6 (173)	19.6 (173)
		60 Hz	0.85 (7.52)	1.02 (9.03)	1.42 (12.6)	1.70 (15.0)	2.13 (18.9)	2.55 (22.6)	2.84 (25.1)	3.19 (28.2)	3.83 (33.9)	4.59 (40.6)	5.10 (45.1)	6.38 (56.5)	7.65 (67.7)	8.27 (73.2)	11.5 (102)	13.8 (122)	17.2 (152)	19.6 (173)	19.6 (173)	19.6 (173)	19.6 (173)	19.6 (173)	19.6 (173)
MY9G□B (ball bearing) (hinge attached)	90 r/min	50 Hz	0.24 (2.12)	0.29 (2.57)	0.41 (3.63)	0.49 (4.34)	0.61 (5.40)	0.73 (6.46)	0.81 (7.17)	0.91 (8.05)	1.09 (9.65)	1.31 (11.6)	1.46 (12.9)	1.82 (16.1)	2.19 (19.4)	2.36 (20.9)	3.28 (29.0)	3.94 (34.9)	4.92 (43.5)	5.90 (52.2)	6.56 (58.1)	7.87 (69.7)	9.84 (87.1)	11.8 (104)	13.1 (116)
		60 Hz	0.24 (2.12)	0.29 (2.57)	0.41 (3.63)	0.49 (4.34)	0.61 (5.40)	0.73 (6.46)	0.81 (7.17)	0.91 (8.05)	1.09 (9.65)	1.31 (11.6)	1.46 (12.9)	1.82 (16.1)	2.19 (19.4)	2.36 (20.9)	3.28 (29.0)	3.94 (34.9)	4.92 (43.5)	5.90 (52.2)	6.56 (58.1)	7.87 (69.7)	9.84 (87.1)	11.8 (104)	13.1 (116)
Rotational direction		Same as motor rotational direction										Reverse to motor rotational direction													

Permissible torque at output shaft of gear head using decimal gear head

Unit of permissible torque: upper (N-m) / lower (lb-in)

Applicable gear head	Reduction Ratio	Speed	Permissible Torque																						
			250	300	360	500	600	750	900	1000	1200	1500	1800	2000											
MZ9G□B (ball bearing) (hinge not attached)	MZ9G10XB	50 Hz	19.6 (173)	19.6 (173)	19.6 (173)	19.6 (173)	19.6 (173)	19.6 (173)	19.6 (173)	19.6 (173)	19.6 (173)	19.6 (173)	19.6 (173)	19.6 (173)	19.6 (173)	19.6 (173)	19.6 (173)	19.6 (173)	19.6 (173)	19.6 (173)	19.6 (173)	19.6 (173)	19.6 (173)	19.6 (173)	
		60 Hz	19.6 (173)	19.6 (173)	19.6 (173)	19.6 (173)	19.6 (173)	19.6 (173)	19.6 (173)	19.6 (173)	19.6 (173)	19.6 (173)	19.6 (173)	19.6 (173)	19.6 (173)	19.6 (173)	19.6 (173)	19.6 (173)	19.6 (173)	19.6 (173)	19.6 (173)	19.6 (173)	19.6 (173)	19.6 (173)	19.6 (173)
MY9G□B (ball bearing) (hinge attached)	MZ9G10XB	50 Hz	14.8 (131)	17.7 (157)	19.1 (169)	19.6 (173)	19.6 (173)	19.6 (173)	19.6 (173)	19.6 (173)	19.6 (173)	19.6 (173)	19.6 (173)	19.6 (173)	19.6 (173)	19.6 (173)	19.6 (173)	19.6 (173)	19.6 (173)	19.6 (173)	19.6 (173)	19.6 (173)	19.6 (173)	19.6 (173)	19.6 (173)
		60 Hz	14.8 (131)	17.7 (157)	19.1 (169)	19.6 (173)	19.6 (173)	19.6 (173)	19.6 (173)	19.6 (173)	19.6 (173)	19.6 (173)	19.6 (173)	19.6 (173)	19.6 (173)	19.6 (173)	19.6 (173)	19.6 (173)	19.6 (173)	19.6 (173)	19.6 (173)	19.6 (173)	19.6 (173)	19.6 (173)	19.6 (173)
Rotational direction		Same as motor rotational direction												Reverse to motor rotational direction											

Speed-torque characteristics



Connection diagram

* For the connection diagram showing wiring with the speed controller, refer to pages C-6 to C-20.

Working range line

The working range line shows the working limit for the variable speed motor. The permissible torque should fall within the shaded portion. If you use the motor with the permissible torque exceeding the working range line (falling within the portion not shaded), the motor may be burned out due to a high temperature rise or the gear tooth may be damaged.

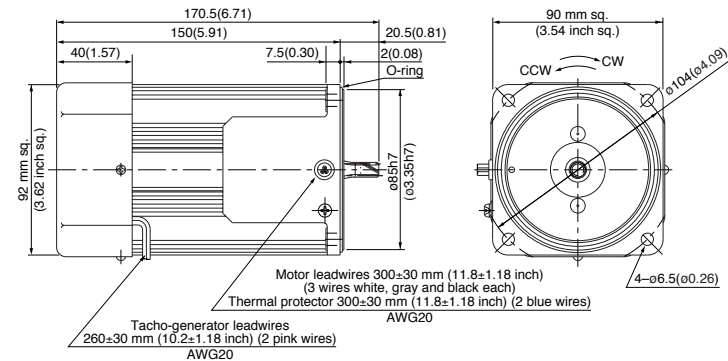
* Please read your User's manual carefully so that you will understand the operation and safety precautions before attempting to operate the system.

Motor (dimensions)

Scale: 1/4, Unit: mm (inch)

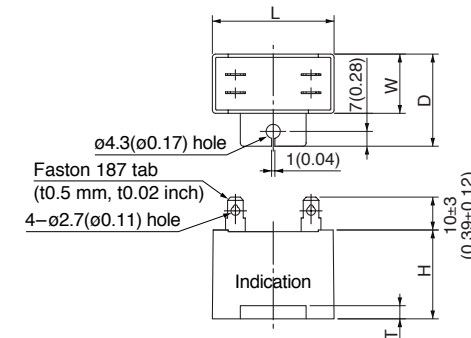
M91Z60GV4LG(A)	4P 60 W 100 V (with fan)
M91Z60GV4DG(A)	4P 60 W 110 V / 115 V (with fan)
M91Z60GV4YG(A)	4P 60 W 200 V (with fan)
M91Z60GV4GG(A)	4P 60 W 220 V / 230 V (with fan)
M91Z60GV4GGB	4P 60 W 220 V / 230 V (with fan)
M91Z60GV4GGC	4P 60 W 220 V / 230 V (with fan)

Mass	Helical gear	Module	Number of teeth
2.7 kg 5.95 lb		0.6	9



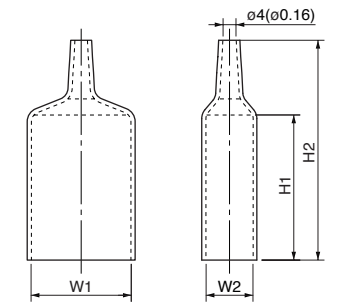
Capacitor (dimensions) [attachment]

Unit: mm (inch)



Capacitor cap (dimensions) [attachment]

Unit: mm (inch)



Capacitor dimension list

Unit: upper (mm) / lower (inch)

Model number of motor	Model number of capacitor (attachment)	L	W	D	H	T	Capacitor cap (attachment)	W1	W2	H1	H2
M91Z60GV4LG(A)	M0PC20M25G	58 (2.28)	29 (1.14)	44 (1.73)	41 (1.61)	4 (0.16)	M0PC5829G	58 (2.28)	29 (1.14)	55 (2.17)	78 (3.07)
M91Z60GV4DG(A)	M0PC18M25G	58 (2.28)	29 (1.14)	44 (1.73)	41 (1.61)	4 (0.16)	M0PC5829G	58 (2.28)	29 (1.14)	55 (2.17)	78 (3.07)
M91Z60GV4YG(A)	M0PC5M45G	58 (2.28)	29 (1.14)	44 (1.73)	41 (1.61)	4 (0.16)	M0PC5829G	58 (2.28)	29 (1.14)	55 (2.17)	78 (3.07)
M91Z60GV4GG(A)	M0PC5M45G	58 (2.28)	29 (1.14)	44 (1.73)	41 (1.61)	4 (0.16)	M0PC5829G	58 (2.28)	29 (1.14)	55 (2.17)	78 (3.07)
M91Z60GV4GGB	M0PC4M45G	58 (2.28)	23.5 (0.93)	38.5 (1.52)	37 (1.46)	4 (0.16)	M0PC5823G	58 (2.28)	23.5 (0.93)	55 (2.17)	78 (3.07)
M91Z60GV4GGC											

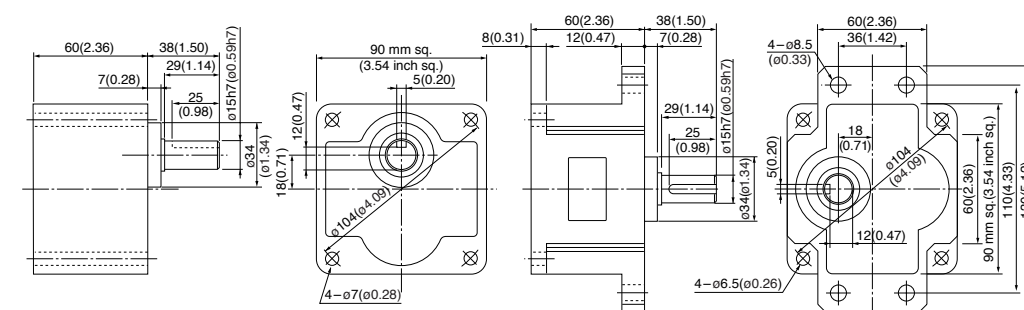
* The models with a motor model number to which "A" or "B" is suffixed are not equipped with a capacitor cap.

Gear head (dimensions)

Scale: 1/4, Unit: mm (inch)

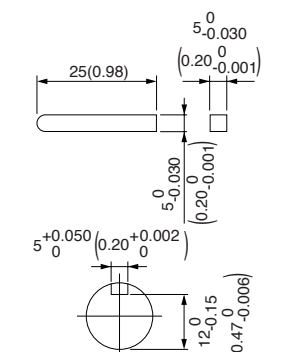
MZ9G□B (ball bearing / hinge not attached)
Mass 1.4 kg (3.09 lb)

MY9G□B (ball bearing / hinge attached)
Mass 1.4 kg (3.09 lb)



Key and keyway (dimensions) [attachment]

MZ9G□B
MY9G□B



Note) MZ / MY is available for a gear head of either type.

(Note) Because the dimensions may be subject to change, also check the determinate dimensions if the gear head is to be used for design.

Specifications

Size	Motor model No.	Number of pole (P)	Output (W)	Voltage (V)	Frequency (Hz)	Rating (min)	Variable speed range		Permissible Torque N·m (oz·in)		Starting current (A)	Starting torque N·m (oz·in)	Capacitor (μF) (rated voltage)
							Speed (r/min)	at 1200 r/min	at 90 r/min				
90 mm sq.	M91Z90GV4L	4	90	100	50	Cont.	90 to 1400	0.59 (83.6)	0.25 (35.4)	2.3	0.53 (75.1)	25 (200 V)	
							90 to 1700	0.54 (76.5)	0.25 (35.4)	2.2	0.56 (79.3)		
	M91Z90GV4Y	4	90	200	50	Cont.	90 to 1400	0.59 (83.6)	0.25 (35.4)	1.1	0.57 (80.7)	6.2 (375 V)	
							90 to 1700	0.54 (76.5)	0.25 (35.4)	1.1	0.59 (83.6)		

* The specifications and wire connections of the round shaft motor are the same as those of the pinion shaft type. For the dimensional outline drawing, refer to page B-265.

Permissible torque at output shaft of gear head

Unit of permissible torque: upper (N·m) / lower (lb·in)

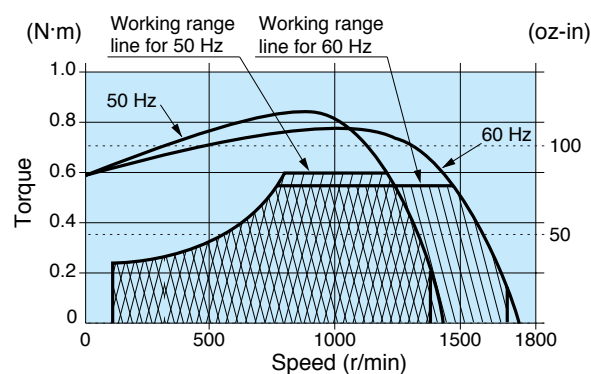
Applicable gear head	Reduction Ratio	Speed	Permissible Torque																						
			3	3.6	5	6	7.5	9	10	12.5	15	18	20	25	30	36	50	60	75	90	100	120	150	180	200
MZ9G□B (ball bearing, hinge not attached)	1200 r/min	50 Hz	1.43 (12.7)	1.71 (15.1)	2.38 (21.1)	2.86 (25.3)	3.57 (31.6)	4.29 (38.0)	4.77 (42.2)	5.36 (47.4)	6.43 (56.9)	7.72 (68.3)	8.58 (75.9)	10.97 (97.1)	12.8 (113)	13.7 (121)	19.2 (170)	19.6 (174)	19.6 (174)	19.6 (174)	19.6 (174)	19.6 (174)	19.6 (174)	19.6 (174)	19.6 (174)
		60 Hz	1.31 (11.6)	1.57 (13.9)	2.18 (19.3)	2.62 (23.2)	3.27 (28.9)	3.93 (34.8)	4.37 (38.7)	4.91 (43.5)	5.89 (52.1)	7.07 (62.6)	7.86 (69.6)	9.82 (86.9)	11.7 (104)	12.6 (112)	17.6 (156)	19.6 (174)	19.6 (174)	19.6 (174)	19.6 (174)	19.6 (174)	19.6 (174)	19.6 (174)	19.6 (174)
MY9G□B (ball bearing, hinge attached)	90 r/min	50 Hz	0.60 (5.31)	0.72 (6.37)	1.01 (8.94)	1.21 (10.7)	1.51 (13.4)	1.81 (16.0)	2.02 (17.9)	2.26 (20.0)	2.71 (24.0)	3.25 (28.8)	3.62 (32.0)	4.52 (40.0)	5.43 (48.1)	5.83 (51.6)	8.10 (71.7)	9.72 (86.0)	12.1 (107)	14.5 (128)	16.2 (143)	19.4 (172)	19.6 (174)	19.6 (174)	19.6 (174)
		60 Hz	0.60 (5.31)	0.72 (6.37)	1.01 (8.94)	1.21 (10.7)	1.51 (13.4)	1.81 (16.0)	2.02 (17.9)	2.26 (20.0)	2.71 (24.0)	3.25 (28.8)	3.62 (32.0)	4.52 (40.0)	5.43 (48.1)	5.83 (51.6)	8.10 (71.7)	9.72 (86.0)	12.1 (107)	14.5 (128)	16.2 (143)	19.4 (172)	19.6 (174)	19.6 (174)	19.6 (174)
Rotational direction		Same as motor rotational direction						Reverse to motor rotational direction						Same as motor rotational direction											

Permissible torque at output shaft of gear head using decimal gear head

Unit of permissible torque: upper (N·m) / lower (lb·in)

Applicable gear head	Decimal gear head	Reduction Ratio	Speed	Permissible Torque																					
				250	300	360	500	600	750	900	1000	1200	1500	1800	2000										
MZ9G□B (ball bearing, hinge not attached)	MZ9G10XB	1200 r/min	50 Hz	19.6 (173)	19.6 (173)	19.6 (173)	19.6 (173)	19.6 (173)	19.6 (173)	19.6 (173)	19.6 (173)	19.6 (173)	19.6 (173)	19.6 (173)	19.6 (173)	19.6 (173)	19.6 (173)	19.6 (173)	19.6 (173)	19.6 (173)	19.6 (173)	19.6 (173)	19.6 (173)	19.6 (173)	
			60 Hz	19.6 (173)	19.6 (173)	19.6 (173)	19.6 (173)	19.6 (173)	19.6 (173)	19.6 (173)	19.6 (173)	19.6 (173)	19.6 (173)	19.6 (173)	19.6 (173)	19.6 (173)	19.6 (173)	19.6 (173)	19.6 (173)	19.6 (173)	19.6 (173)	19.6 (173)	19.6 (173)	19.6 (173)	19.6 (173)
MY9G□B (ball bearing, hinge attached)	MZ9G10XB	90 r/min	50 Hz	19.6 (173)	19.6 (173)	19.6 (173)	19.6 (173)	19.6 (173)	19.6 (173)	19.6 (173)	19.6 (173)	19.6 (173)	19.6 (173)	19.6 (173)	19.6 (173)	19.6 (173)	19.6 (173)	19.6 (173)	19.6 (173)	19.6 (173)	19.6 (173)	19.6 (173)	19.6 (173)	19.6 (173)	19.6 (173)
			60 Hz	19.6 (173)	19.6 (173)	19.6 (173)	19.6 (173)	19.6 (173)	19.6 (173)	19.6 (173)	19.6 (173)	19.6 (173)	19.6 (173)	19.6 (173)	19.6 (173)	19.6 (173)	19.6 (173)	19.6 (173)	19.6 (173)	19.6 (173)	19.6 (173)	19.6 (173)	19.6 (173)	19.6 (173)	19.6 (173)
Rotational direction		Same as motor rotational direction		Reverse to motor rotational direction																					

Speed-torque characteristics



Connection diagram

* For the connection diagram showing wiring with the speed controller, refer to pages C-6 to C-20.

* Working range line

The working range line shows the working limit for the variable speed motor. The permissible torque should fall within the shaded portion. If you use the motor with the permissible torque exceeding the working range line (falling within the portion not shaded), the motor may be burned out due to a high temperature rise or the gear tooth may be damaged.

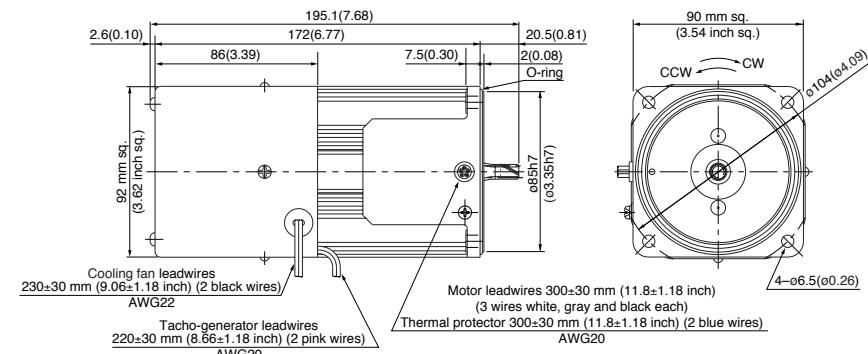
* Please read your User's manual carefully so that you will understand the operation and safety precautions before attempting to operate the system.

Motor (dimensions)

Scale: 1/4, Unit: mm (inch)

M91Z90GV4L 4P 90 W 100 V (Forced cooling fan)
 M91Z90GV4Y 4P 90 W 200 V (Forced cooling fan)

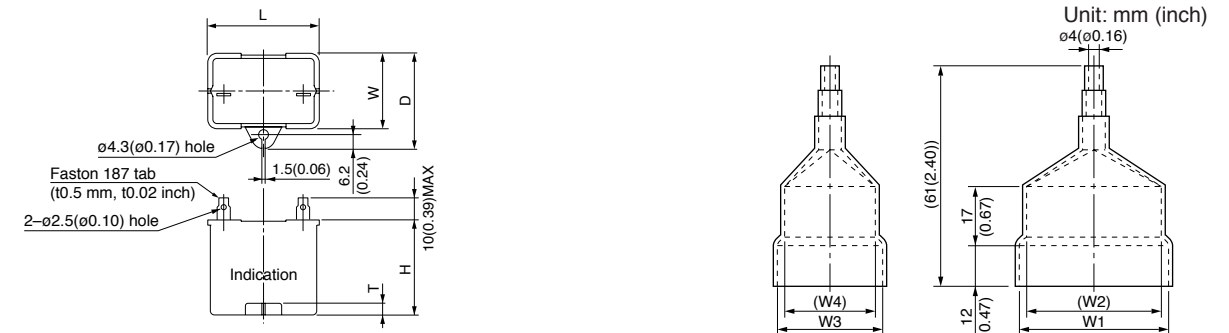
Mass 3.5 kg (7.72 lb)
 Helical gear
 Module 0.6
 Number of teeth 9



Capacitor (dimensions) [attachment]

Unit: mm (inch)

Capacitor cap (dimensions) [option]



Capacitor dimension list Unit: upper (mm) / lower (inch)

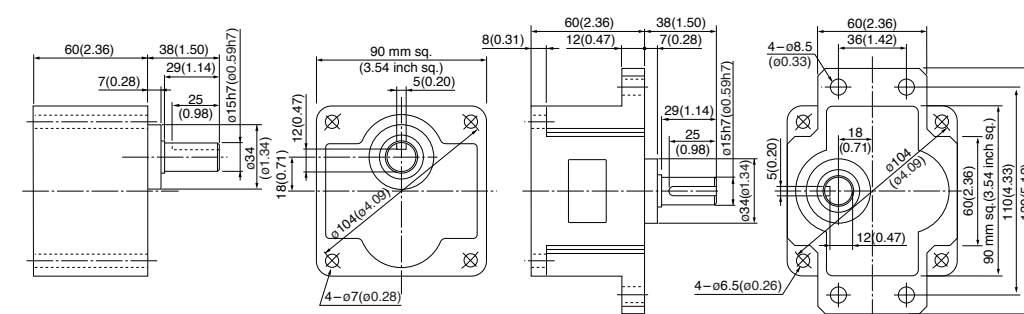
Model number of motor	Model number of capacitor (attachment)	L	W	D	H	T	Capacitor cap (option)	W1	W2	W3	W4
M91Z90GV4L	M0PC25M20	50.2 (1.98)	31 (1.22)	41 (1.61)	42 (1.65)	5 (0.20)	M0PC5032	50 (1.97)	48 (1.89)	32.5 (1.28)	29.5 (1.16)
M91Z90GV4Y	M0PC6.2M38	50 (1.97)	30.5 (1.20)	41 (1.61)	41.5 (1.63)	4 (0.16)	M0PC5032	50 (1.97)	48 (1.89)	32.5 (1.28)	29.5 (1.16)

Gear head (dimensions)

Scale: 1/4, Unit: mm (inch)

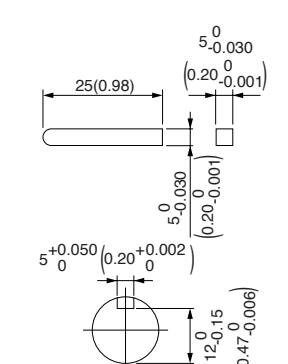
MZ9G□B (ball bearing / hinge not attached)
 Mass 1.4 kg (3.09 lb)

MY9G□B (ball bearing / hinge attached)
 Mass 1.4 kg (3.09 lb)



Key and keyway (dimensions) [attachment]

MZ9G□B
 MY9G□B



Note) MZ / MY is available for a gear head of either type.

(Note) Because the dimensions may be subject to change, also check the determinate dimensions if the gear head is to be used for design.

Specifications

Size	Motor model No.	Number of pole (P)	Output (W)	Voltage (V)	Frequency (Hz)	Rating (min)	Variable speed range		Starting current (A)	Starting torque N-m (oz-in)	Capacitor (μF) (rated voltage)
							Speed (r/min)	Permissible Torque N-m (oz-in) at 1200 r/min 90 r/min			
90 mm sq.	M91Z90GV4LG M91Z90GV4LGA	4	90	100	50	Cont.	90 to 1400	0.69 (97.7) 0.29 (41.1)	3.0	0.61 (86.4)	30 (250 V)
							90 to 1700	0.54 (76.5) 0.29 (41.1)			
	M91Z90GV4DG M91Z90GV4DGA	4	90	110	60	Cont.	90 to 1700	0.54 (76.5) 0.29 (41.1)	3.0	0.61 (86.4)	25 (250 V)
							90 to 1700	0.54 (76.5) 0.29 (41.1)			
	M91Z90GV4YG M91Z90GV4YGA	4	90	200	50	Cont.	90 to 1400	0.69 (97.7) 0.29 (41.1)	1.4	0.61 (86.4)	7.5 (450 V)
							90 to 1700	0.54 (76.5) 0.29 (41.1)			
	M91Z90GV4GG M91Z90GV4GGA	4	90	220	60	Cont.	90 to 1400	0.69 (97.7) 0.29 (41.1)	1.5	0.60 (85.0)	6 (450 V)
							90 to 1700	0.54 (76.5) 0.29 (41.1)			
	M91Z90GV4GG M91Z90GV4GGA	4	90	230	60	Cont.	90 to 1400	0.69 (97.7) 0.29 (41.1)	1.5	0.65 (92.0)	6 (450 V)
							90 to 1700	0.54 (76.5) 0.29 (41.1)			
	M91Z90GV4GGB M91Z90GV4GGC	4	90	220	50	Cont.	90 to 1400	0.69 (97.7) 0.29 (41.1)	1.4	0.55 (77.9)	6 (450 V)
							90 to 1700	0.54 (76.5) 0.29 (41.1)			
M91Z90GV4GGB M91Z90GV4GGC	4	90	230	50	Cont.	90 to 1400	0.69 (97.7) 0.29 (41.1)	1.5	0.61 (86.4)	6 (450 V)	
						90 to 1700	0.54 (76.5) 0.29 (41.1)				1.4

The specifications and wire connections of the round shaft motor are the same as those of the pinion shaft type. For the dimensional outline drawing, refer to page B-265.
 The models with a motor model number to which "A" or "B" is suffixed are not equipped with a capacitor cap.
 The models with a motor model number to which "A" or "B" is suffixed are not sold or available in Japan.

Permissible torque at output shaft of gear head

Unit of permissible torque: upper (N-m) / lower (lb-in)

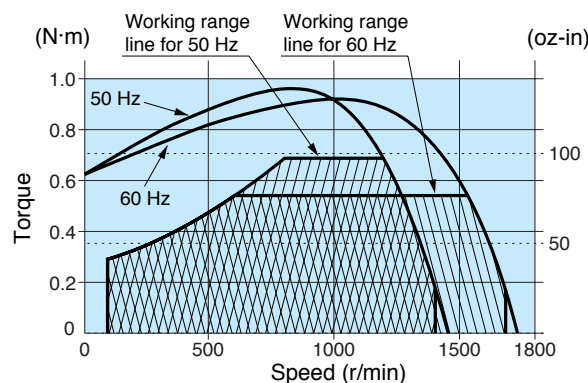
Applicable gear head Bearing	Reduction Ratio	Speed	Permissible Torque																						
			3	3.6	5	6	7.5	9	10	12.5	15	18	20	25	30	36	50	60	75	90	100	120	150	180	200
MZ9G□B (ball bearing) (hinge not attached)	1200 r/min	50 Hz	1.68 (14.9)	2.01 (17.8)	2.79 (24.7)	3.35 (29.7)	4.19 (37.1)	5.03 (44.5)	5.59 (49.5)	6.29 (55.7)	7.55 (66.8)	9.05 (80.1)	10.1 (89.4)	12.6 (112)	15.1 (134)	16.3 (144)	19.6 (173)	19.6 (173)	19.6 (173)	19.6 (173)	19.6 (173)	19.6 (173)	19.6 (173)	19.6 (173)	19.6 (173)
		60 Hz	1.31 (11.6)	1.57 (13.9)	2.19 (19.4)	2.62 (23.2)	3.28 (29.0)	3.94 (34.9)	4.37 (38.7)	4.92 (43.5)	5.90 (52.2)	7.09 (62.8)	8.78 (78.1)	9.84 (87.1)	11.8 (104)	12.8 (113)	17.7 (157)	19.6 (173)	19.6 (173)	19.6 (173)	19.6 (173)	19.6 (173)	19.6 (173)	19.6 (173)	19.6 (173)
MY9G□B (ball bearing) (hinge attached)	90 r/min	Same as motor rotational direction	0.70 (6.20)	0.85 (7.52)	1.17 (10.4)	1.41 (12.5)	1.76 (15.6)	2.11 (18.7)	2.35 (20.8)	2.64 (23.4)	3.17 (28.1)	3.81 (33.7)	4.23 (37.4)	5.29 (46.9)	6.34 (56.1)	6.85 (60.6)	9.51 (84.2)	11.4 (101)	14.3 (127)	17.1 (151)	19.0 (168)	19.6 (173)	19.6 (173)	19.6 (173)	19.6 (173)
		Reverse to motor rotational direction	0.70 (6.20)	0.85 (7.52)	1.17 (10.4)	1.41 (12.5)	1.76 (15.6)	2.11 (18.7)	2.35 (20.8)	2.64 (23.4)	3.17 (28.1)	3.81 (33.7)	4.23 (37.4)	5.29 (46.9)	6.34 (56.1)	6.85 (60.6)	9.51 (84.2)	11.4 (101)	14.3 (127)	17.1 (151)	19.0 (168)	19.6 (173)	19.6 (173)	19.6 (173)	19.6 (173)

Permissible torque at output shaft of gear head using decimal gear head

Unit of permissible torque: upper (N-m) / lower (lb-in)

Applicable gear head Bearing	Decimal gear head	Reduction Ratio	Speed	Permissible Torque																					
				250	300	360	500	600	750	900	1000	1200	1500	1800	2000										
MZ9G□B (ball bearing) (hinge not attached)	MZ9G10XB	1200 r/min	50 Hz	19.6 (173)	19.6 (173)	19.6 (173)	19.6 (173)	19.6 (173)	19.6 (173)	19.6 (173)	19.6 (173)	19.6 (173)	19.6 (173)	19.6 (173)	19.6 (173)	19.6 (173)	19.6 (173)	19.6 (173)	19.6 (173)	19.6 (173)	19.6 (173)	19.6 (173)	19.6 (173)	19.6 (173)	
			60 Hz	19.6 (173)	19.6 (173)	19.6 (173)	19.6 (173)	19.6 (173)	19.6 (173)	19.6 (173)	19.6 (173)	19.6 (173)	19.6 (173)	19.6 (173)	19.6 (173)	19.6 (173)	19.6 (173)	19.6 (173)	19.6 (173)	19.6 (173)	19.6 (173)	19.6 (173)	19.6 (173)	19.6 (173)	19.6 (173)
MY9G□B (ball bearing) (hinge attached)	MZ9G10XB	90 r/min	Same as motor rotational direction	19.6 (173)	19.6 (173)	19.6 (173)	19.6 (173)	19.6 (173)	19.6 (173)	19.6 (173)	19.6 (173)	19.6 (173)	19.6 (173)	19.6 (173)	19.6 (173)	19.6 (173)	19.6 (173)	19.6 (173)	19.6 (173)	19.6 (173)	19.6 (173)	19.6 (173)	19.6 (173)	19.6 (173)	19.6 (173)
			Reverse to motor rotational direction	19.6 (173)	19.6 (173)	19.6 (173)	19.6 (173)	19.6 (173)	19.6 (173)	19.6 (173)	19.6 (173)	19.6 (173)	19.6 (173)	19.6 (173)	19.6 (173)	19.6 (173)	19.6 (173)	19.6 (173)	19.6 (173)	19.6 (173)	19.6 (173)	19.6 (173)	19.6 (173)	19.6 (173)	19.6 (173)

Speed-torque characteristics



Connection diagram

* For the connection diagram showing wiring with the speed controller, refer to pages C-6 to C-20.

Working range line

The working range line shows the working limit for the variable speed motor. The permissible torque should fall within the shaded portion. If you use the motor with the permissible torque exceeding the working range line (falling within the portion not shaded), the motor may be burned out due to a high temperature rise or the gear tooth may be damaged.

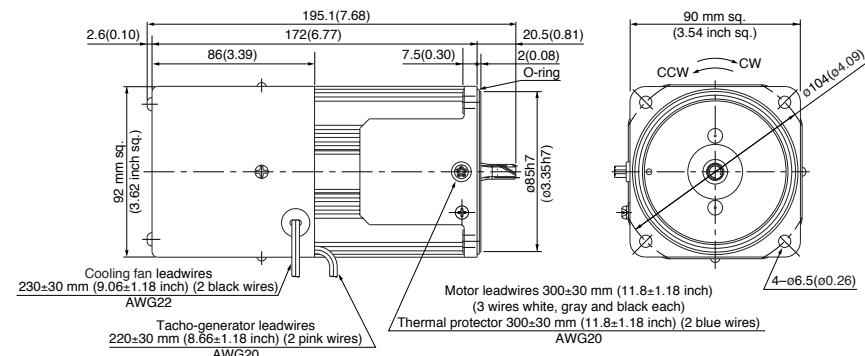
* Please read your User's manual carefully so that you will understand the operation and safety precautions before attempting to operate the system.

Motor (dimensions)

Scale: 1/4, Unit: mm (inch)

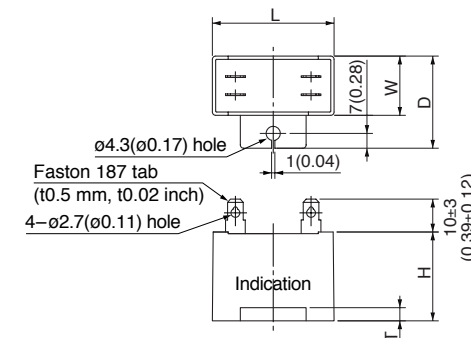
M91Z90GV4LG(A)	4P 90 W 100 V (Forced cooling fan)
M91Z90GV4DG(A)	4P 90 W 110 V / 115 V (Forced cooling fan)
M91Z90GV4YG(A)	4P 90 W 200 V (Forced cooling fan)
M91Z90GV4GG(A)	4P 90 W 220 V / 230 V (Forced cooling fan)
M91Z90GV4GGB	4P 90 W 220 V / 230 V (Forced cooling fan)
M91Z90GV4GGC	4P 90 W 220 V / 230 V (Forced cooling fan)

Mass	Helical gear	Module	Number of teeth
3.5 kg 7.72 lb		0.6	9



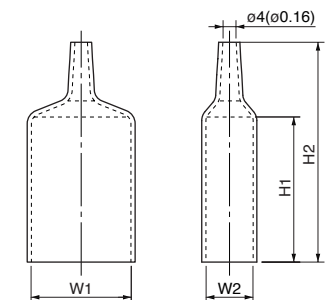
Capacitor (dimensions) [attachment]

Unit: mm (inch)



Capacitor cap (dimensions) [attachment]

Unit: mm (inch)



Capacitor dimension list

Unit: upper (mm) / lower (inch)

Model number of motor	Model number of capacitor (attachment)	L	W	D	H	T	Capacitor cap (attachment)	W1	W2	H1	H2
M91Z90GV4LG(A)	M0PC30M25G	58 (2.28)	35 (1.38)	50 (1.97)	50 (1.97)	4 (0.16)	M0PC5835G	58 (2.28)	35 (1.38)	55 (2.17)	78 (3.07)
M91Z90GV4DG(A)	M0PC25M25G	58 (2.28)	35 (1.38)	50 (1.97)	50 (1.97)	4 (0.16)	M0PC5835G	58 (2.28)	35 (1.38)	55 (2.17)	78 (3.07)
M91Z90GV4YG(A)	M0PC7.5M45G	58 (2.28)	35 (1.38)	50 (1.97)	50 (1.97)	4 (0.16)	M0PC5835G	58 (2.28)	35 (1.38)	55 (2.17)	78 (3.07)
M91Z90GV4GG(A)	M0PC6M45G	58 (2.28)	29 (1.14)	44 (1.73)	41 (1.61)	4 (0.16)	M0PC5829G	58 (2.28)	29 (1.14)	55 (2.17)	78 (3.07)
M91Z90GV4GGB											
M91Z90GV4GGC											

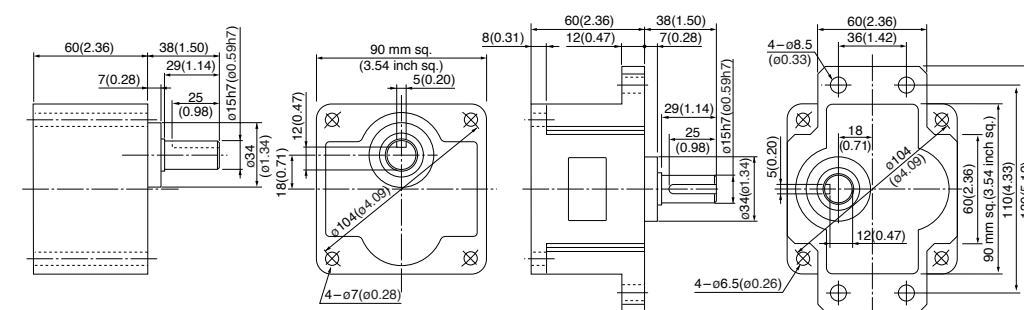
* The models with a motor model number to which "A" or "B" is suffixed are not equipped with a capacitor cap.

Gear head (dimensions)

Scale: 1/4, Unit: mm (inch)

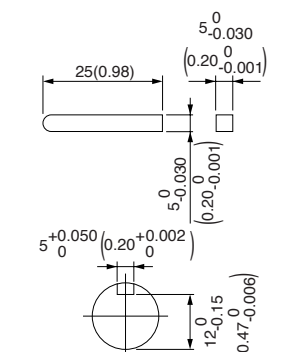
MZ9G□B (ball bearing / hinge not attached)
Mass 1.4 kg (3.09 lb)

MY9G□B (ball bearing / hinge attached)
Mass 1.4 kg (3.09 lb)



Key and keyway (dimensions) [attachment]

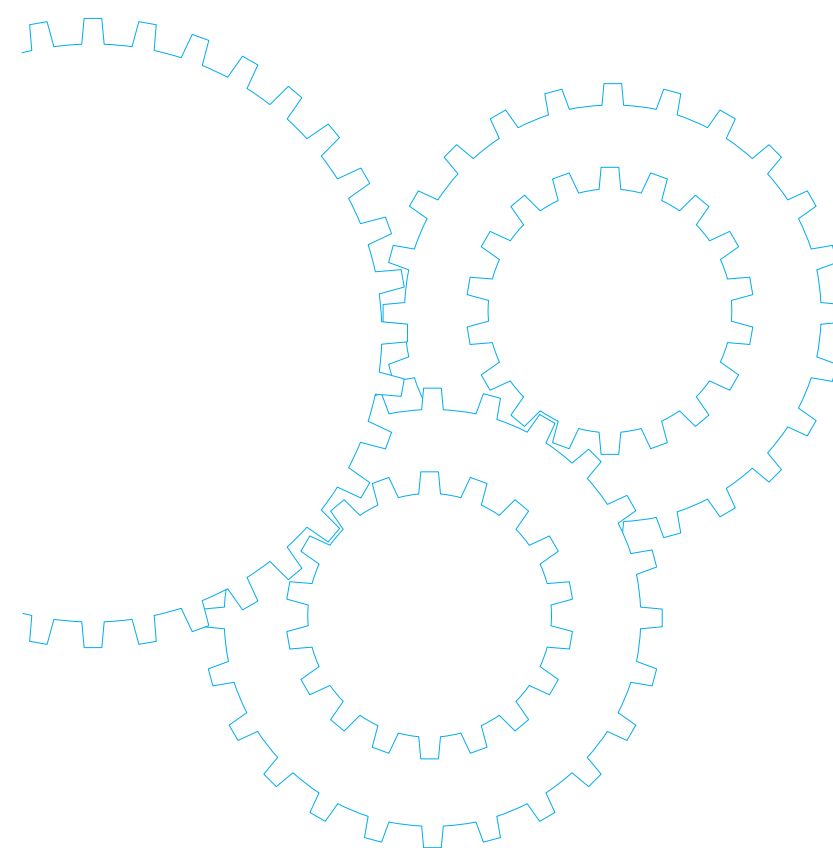
MZ9G□B
MY9G□B



Note) MZ / MY is available for a gear head of either type.

(Note) Because the dimensions may be subject to change, also check the determinate dimensions if the gear head is to be used for design.

Variable Speed Reversible Motor



Contents

• Motor Overview	B-268
• Model list	B-270
• Product information for each model	B-274
• Gear head combination dimensions	B-304
• Round shaft motor dimensions	B-306

Outline of variable speed reversible motor

Features

- It is a variable speed motor containing a simple brake mechanism. <Single-phase motor>
- The built-in simple brake mechanism makes the overrun small as compared with the induction motor, enabling a quick-reversal run.
- The time rating is 30 minutes.
- By using it together with a speed controller, you can vary the speed over a wider range (90 r/min to 1400 r/min for 50 Hz and 90 r/min to 1700 r/min for 60 Hz).
- Various functions such as variable speed, braking, normal/reverse run and soft-start/soft-stop are available.
- Feedback control with the built-in tachogenerator gives a constant speed despite of frequency change.
- The motor output is 4 W to 90 W.

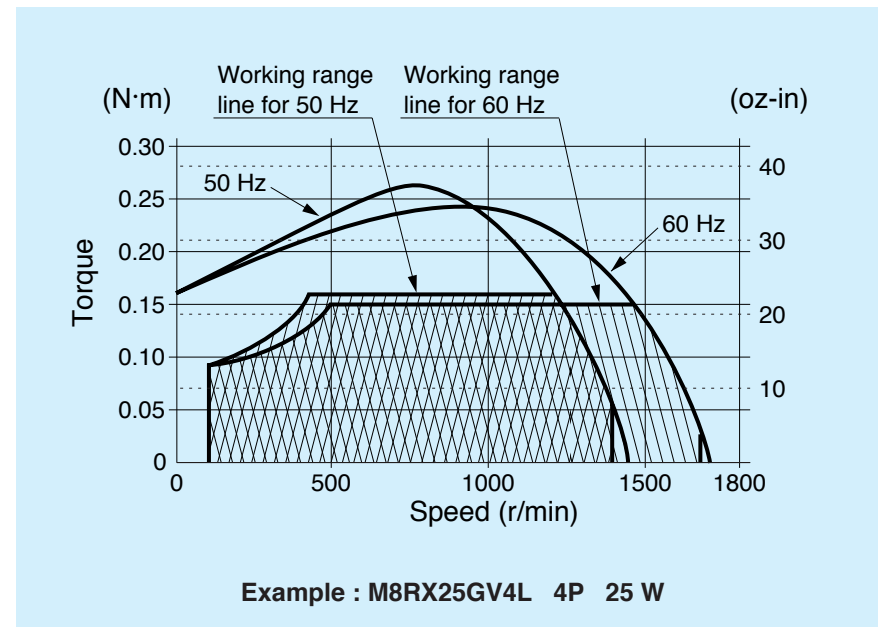
Note) Variable speed reversible motor start-stop operation must not exceed 6-cycles per minute or damage may occur.

Working range

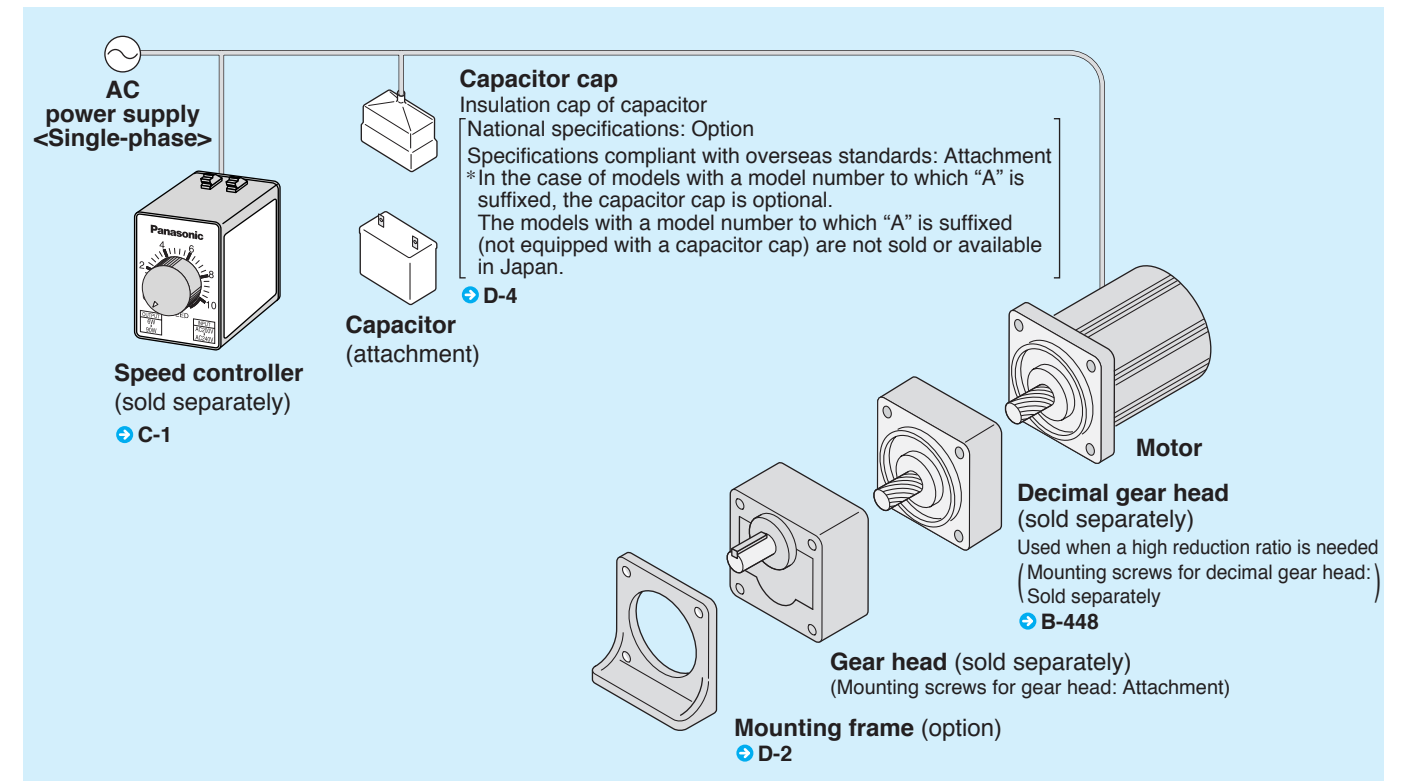
The working range line shows the working limit for the variable speed motor. (The time rating is 30 minutes.) The permissible torque should fall within the shaded portion.

If you use the motor with the permissible torque exceeding the working range line (falling within the portion not shaded), the motor may be burned out due to a high temperature rise or the gear tooth may be damaged.

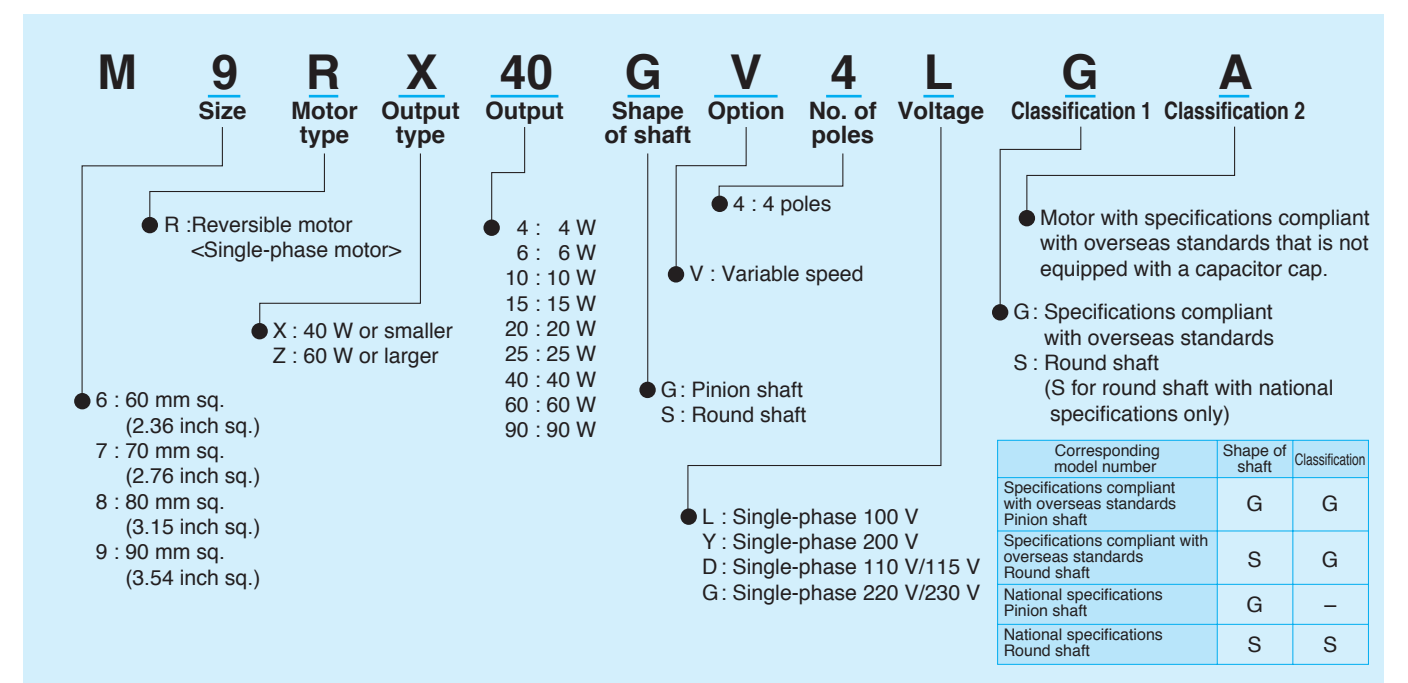
Working range line



System configuration diagram



Coding system





Fit tolerance


Fit tolerance symbol is used in the outside dimension diagram of motor and gear head. For further information, see "Fit tolerance" on page A-33.

Model list of variable speed reversible motor

Pinion shaft motor

Applicable gear head

★ Motor compliant with overseas standards   

 Hinge attached

Size	Output (W)	Leadwire type			
		Model number	Specifications	Page	
60 mm sq. (2.36 inch sq.)	4	M6RX4GV4L	100 V	B-274	
	6	M6RX6GV4L	100 V	B-276	
		M6RX6GV4Y	200 V	B-276	
		M6RX6GV4LG(A)	100 V ★	B-278	
		M6RX6GV4DG(A)	110 V/115 V ★	B-278	
		M6RX6GV4YG(A)	200 V ★	B-278	
		M6RX6GV4GG(A)	220 V/230 V ★	B-278	
70 mm sq. (2.76 inch sq.)	10	M7RX10GV4L	100 V	B-280	
	15	M7RX10GV4Y	200 V	B-280	
		M7RX15GV4L	100 V	B-282	
		M7RX15GV4Y	200 V	B-282	
		M7RX15GV4LG(A)	100 V ★	B-284	
		M7RX15GV4DG(A)	110 V/115 V ★	B-284	
		M7RX15GV4YG(A)	200 V ★	B-284	
M7RX15GV4GG(A)	220 V/230 V ★	B-284			
80 mm sq. (3.15 inch sq.)	20	M8RX20GV4L	100 V	B-286	
	25	M8RX20GV4Y	200 V	B-286	
		M8RX25GV4L	100 V	B-288	
		M8RX25GV4Y	200 V	B-288	
		M8RX25GV4LG(A)	100 V ★	B-290	
		M8RX25GV4DG(A)	110 V/115 V ★	B-290	
		M8RX25GV4YG(A)	200 V ★	B-290	
M8RX25GV4GG(A)	220 V/230 V ★	B-290			
90 mm sq. (3.54 inch sq.)	40	M9RX40GV4L	100 V	B-292	
		M9RX40GV4Y	200 V	B-292	
		M9RX40GV4LG(A)	100 V ★	B-294	
		M9RX40GV4DG(A)	110 V/115 V ★	B-294	
		M9RX40GV4YG(A)	200 V ★	B-294	
		M9RX40GV4GG(A)	220 V/230 V ★	B-294	
	60	M9RZ60GV4L	100 V	B-296	
		M9RZ60GV4Y	200 V	B-296	
		M9RZ60GV4LG(A)	100 V ★	B-298	
		M9RZ60GV4DG(A)	110 V/115 V ★	B-298	
		M9RZ60GV4YG(A)	200 V ★	B-298	
		M9RZ60GV4GG(A)	220 V/230 V ★	B-298	
		90	M9RZ90GV4L	100 V	B-300
			M9RZ90GV4Y	200 V	B-300
M9RZ90GV4LG(A)	100 V ★		B-302		
M9RZ90GV4DG(A)	110 V/115 V ★		B-302		
M9RZ90GV4YG(A)	200 V ★		B-302		
M9RZ90GV4GG(A)	220 V/230 V ★		B-302		


Standard gear head		High torque gear head	Right-angle gear head	Gear head -Inch (U.S.A.)	Decimal gear head
Ball bearing	metal bearing				
MX6G□BA MX6G□B	MX6G□MA MX6G□M	—	—	MX6G□BU	MX6G10XB
MX7G□BA MX7G□B	MX7G□MA MX7G□M	—	—	MX7G□BU	MX7G10XB
MX8G□B	MX8G□M	—	—	MX8G□BU	MX8G10XB
MX9G□B	MX9G□M	—	MX9G□R	MX9G□BU	MX9G10XB
MZ9G□B	—	MR9G□B	MZ9G□R	MZ9G□BU	MZ9G10XB
MY9G□B	—	MP9G□B			

* The models with a motor model number to which "A" is suffixed are not equipped with a capacitor cap.
The models with a motor model number to which "A" is suffixed are not sold or available in Japan.

* Refer to page B-444 for dimensions and permissible torque of high torque gear head.
Refer to page B-446 for dimensions and permissible torque of right-angle gear head.
Refer to page B-451 for dimensions and permissible torque of gear head -Inch (U.S.A.).
Refer to page B-448 for dimensions of decimal gear head.

Model list of variable speed reversible motor

Round shaft motor

★ Motor compliant with overseas standards 


Size	Output (W)	Leadwire type	
		Model number	Specifications
60 mm sq. (2.36 inch sq.)	4	M6RX4SV4LS	100 V
		M6RX4SV4YS	200 V
	6	M6RX6SV4LS	100 V
		M6RX6SV4YS	200 V
		M6RX6SV4LG(A)	100 V ★
		M6RX6SV4DG(A)	110 V/115 V ★
		M6RX6SV4YG(A)	200 V ★
M6RX6SV4GG(A)	220 V/230 V ★		
70 mm sq. (2.76 inch sq.)	10	M7RX10SV4LS	100 V
		M7RX10SV4YS	200 V
	15	M7RX15SV4LS	100 V
		M7RX15SV4YS	200 V
		M7RX15SV4LG(A)	100 V ★
		M7RX15SV4DG(A)	110 V/115 V ★
		M7RX15SV4YG(A)	200 V ★
M7RX15SV4GG(A)	220 V/230 V ★		
80 mm sq. (3.15 inch sq.)	20	M8RX20SV4LS	100 V
		M8RX20SV4YS	200 V
	25	M8RX25SV4LS	100 V
		M8RX25SV4YS	200 V
		M8RX25SV4LG(A)	100 V ★
		M8RX25SV4DG(A)	110 V/115 V ★
		M8RX25SV4YG(A)	200 V ★
M8RX25SV4GG(A)	220 V/230 V ★		
90 mm sq. (3.54 inch sq.)	40	M9RX40SV4LS	100 V
		M9RX40SV4YS	200 V
		M9RX40SV4LG(A)	100 V ★
		M9RX40SV4DG(A)	110 V/115 V ★
		M9RX40SV4YG(A)	200 V ★
		M9RX40SV4GG(A)	220 V/230 V ★
	60	M9RZ60SV4LS	100 V
		M9RZ60SV4YS	200 V
		M9RZ60SV4LG(A)	100 V ★
		M9RZ60SV4DG(A)	110 V/115 V ★
		M9RZ60SV4YG(A)	200 V ★
		M9RZ60SV4GG(A)	220 V/230 V ★
	90	M9RZ90SV4LS	100 V
		M9RZ90SV4YS	200 V
M9RZ90SV4LG(A)		100 V ★	
M9RZ90SV4DG(A)		110 V/115 V ★	
M9RZ90SV4YG(A)		200 V ★	
M9RZ90SV4GG(A)		220 V/230 V ★	


- * The specifications and wire connections of the round shaft motor are the same as those of the pinion shaft motor. Dimensional outline drawing Page B-306.
- * The models with a motor model number to which "A" is suffixed are not equipped with a capacitor cap. The models with a motor model number to which "A" is suffixed are not sold or available in Japan.

Possible combination of speed controller and motor

Size	Output (W)	Motor			Voltage (V)	Speed controller		
		Certified	Pinion shaft type	Round shaft type		MGSD type	EX type	
60 mm sq. (2.36 inch sq.)	3	----	M6RX4GV4L	M6RX4SV4LS	100	MGSDA1 ★	DV1131	
		----	M6RX6GV4L	M6RX6SV4LS	100	MGSDA1 ★	DV1131	
	6	----	M6RX6GV4Y	M6RX6SV4YS	200	MGSDA1 ★	DV1231	
		★	M6RX6GV4LG(A)	M6RX6SV4LG(A)	100	MGSDA1 ★	----	
		★	M6RX6GV4DG(A)	M6RX6SV4DG(A)	110/115	MGSDA1 ★	----	
		★	M6RX6GV4YG(A)	M6RX6SV4YG(A)	200	MGSDA1 ★	----	
		★	M6RX6GV4GG(A)	M6RX6SV4GG(A)	220/230	MGSDA1 ★	----	
70 mm sq. (2.76 inch sq.)	10	----	M7RX10GV4L	M7RX10SV4LS	100	MGSDA1 ★	DV1131	
		----	M7RX10GV4Y	M7RX10SV4YS	200	MGSDA1 ★	DV1231	
	15	----	M7RX15GV4L	M7RX15SV4LS	100	MGSDA1 ★	DV1132	
		----	M7RX15GV4Y	M7RX15SV4YS	200	MGSDA1 ★	DV1231	
		★	M7RX15GV4LG(A)	M7RX15SV4LG(A)	100	MGSDA1 ★	----	
		★	M7RX15GV4DG(A)	M7RX15SV4DG(A)	110/115	MGSDA1 ★	----	
		★	M7RX15GV4YG(A)	M7RX15SV4YG(A)	200	MGSDA1 ★	----	
★	M7RX15GV4GG(A)	M7RX15SV4GG(A)	220/230	MGSDA1 ★	----			
80 mm sq. (3.15 inch sq.)	15	----	M8RX20GV4L	M8RX20SV4LS	100	MGSDA1 ★	DV1132	
		----	M8RX20GV4Y	M8RX20SV4YS	200	MGSDA1 ★	DV1231	
	25	----	M8RX25GV4L	M8RX25SV4LS	100	MGSDA1 ★	DV1132	
		----	M8RX25GV4Y	M8RX25SV4YS	200	MGSDA1 ★	DV1234	
		★	M8RX25GV4LG(A)	M8RX25SV4LG(A)	100	MGSDA1 ★	----	
		★	M8RX25GV4DG(A)	M8RX25SV4DG(A)	110/115	MGSDA1 ★	----	
		★	M8RX25GV4YG(A)	M8RX25SV4YG(A)	200	MGSDA1 ★	----	
★	M8RX25GV4GG(A)	M8RX25SV4GG(A)	220/230	MGSDA1 ★	----			
90 mm sq. (3.54 inch sq.)	40	----	M9RX40GV4L	M9RX40SV4LS	100	MGSDA1 ★	DV1132	
		----	M9RX40GV4Y	M9RX40SV4YS	200	MGSDA1 ★	DV1234	
		★	M9RX40GV4LG(A)	M9RX40SV4LG(A)	100	MGSDA1 ★	----	
		★	M9RX40GV4DG(A)	M9RX40SV4DG(A)	110/115	MGSDA1 ★	----	
		★	M9RX40GV4YG(A)	M9RX40SV4YG(A)	200	MGSDA1 ★	----	
		★	M9RX40GV4GG(A)	M9RX40SV4GG(A)	220/230	MGSDA1 ★	----	
	60	----	M9RZ60GV4L	M9RZ60SV4LS	100	MGSDA1 ★	DV1134	
		----	M9RZ60GV4Y	M9RZ60SV4YS	200	MGSDA1 ★	DV1234	
		★	M9RZ60GV4LG(A)	M9RZ60SV4LG(A)	100	MGSDA1 ★	----	
		★	M9RZ60GV4DG(A)	M9RZ60SV4DG(A)	110/115	MGSDA1 ★	----	
		★	M9RZ60GV4YG(A)	M9RZ60SV4YG(A)	200	MGSDA1 ★	----	
		★	M9RZ60GV4GG(A)	M9RZ60SV4GG(A)	220/230	MGSDA1 ★	----	
		90	----	M9RZ90GV4L	M9RZ90SV4LS	100	MGSDA1 ★	DV1134
			----	M9RZ90GV4Y	M9RZ90SV4YS	200	MGSDA1 ★	DV1234
★	M9RZ90GV4LG(A)		M9RZ90SV4LG(A)	100	MGSDA1 ★	----		
★	M9RZ90GV4DG(A)		M9RZ90SV4DG(A)	110/115	MGSDA1 ★	----		
★	M9RZ90GV4YG(A)		M9RZ90SV4YG(A)	200	MGSDA1 ★	----		
★	M9RZ90GV4GG(A)		M9RZ90SV4GG(A)	220/230	MGSDA1 ★	----		

* When using a speed controller operative under a wide range of supply voltage (MGSD), the mating motor should be selected according to the voltage of the power supply to be used.

★ Conforming to international standards : 

★ MGSD speed controllers are compliant with .

- * The models with a motor model number to which "A" is suffixed are not equipped with a capacitor cap. The models with a motor model number to which "A" is suffixed are not sold or available in Japan.

Variable speed reversible motor (leadwire)

60 mm (2.36 inch) sq. 4 W

Specifications

Size	Motor model No.	Number of pole (P)	Output (W)	Voltage (V)	Frequency (Hz)	Rating (min)	Variable speed range		Permissible Torque N·m (oz·in)		Starting current (A)	Starting torque N·m (oz·in)	Capacitor (μF) (rated voltage)
							Speed (r/min)	at 1200 r/min	at 90 r/min	at 1200 r/min			
60 mm sq.	M6RX4GV4L	4	4	100	50	30	90 to 1400	0.019 (2.69)	0.019 (2.69)	0.22	0.028 (3.97)	2.5 (200 V)	
					60		90 to 1700	0.019 (2.69)	0.019 (2.69)	0.23	0.028 (3.97)		

* The specifications and wire connections of the round shaft motor are the same as those of the pinion shaft type. For the dimensional outline drawing, refer to page B-306.

Permissible torque at output shaft of gear head

Unit of permissible torque: upper (N·m) / lower (lb·in)

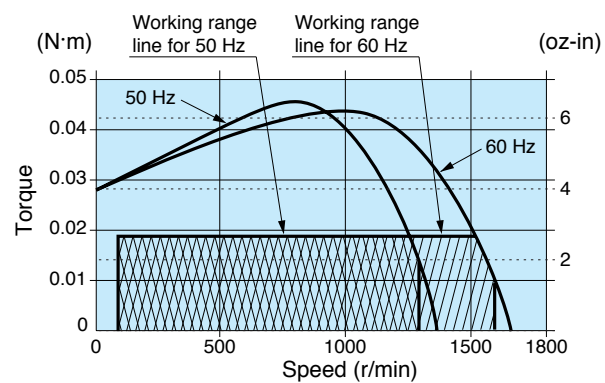
Applicable gear head Bearing	Reduction Ratio	Speed	Permissible Torque																					
			3	3.6	5	6	7.5	9	10	12.5	15	18	20	25	30	36	50	60	75	90	100	120	150	180
MX6G□BA (ball bearing)	1200 r/min	50 Hz	0.046 (0.41)	0.055 (0.49)	0.077 (0.68)	0.092 (0.81)	0.11 (0.97)	0.13 (1.15)	0.15 (1.33)	0.19 (1.68)	0.23 (2.04)	0.27 (2.39)	0.30 (2.66)	0.38 (3.36)	0.41 (3.63)	0.49 (4.34)	0.69 (6.11)	0.82 (7.26)	1.03 (9.12)	1.24 (11.0)	1.38 (12.2)	1.65 (14.6)	2.07 (18.3)	2.45 (21.7)
		60 Hz	0.046 (0.41)	0.055 (0.49)	0.077 (0.68)	0.092 (0.81)	0.11 (0.97)	0.13 (1.15)	0.15 (1.33)	0.19 (1.68)	0.23 (2.04)	0.27 (2.39)	0.30 (2.66)	0.38 (3.36)	0.41 (3.63)	0.49 (4.34)	0.69 (6.11)	0.82 (7.26)	1.03 (9.12)	1.24 (11.0)	1.38 (12.2)	1.65 (14.6)	2.07 (18.3)	2.45 (21.7)
MX6G□B (ball bearing)	90 r/min	50 Hz	0.046 (0.41)	0.055 (0.49)	0.077 (0.68)	0.092 (0.81)	0.11 (0.97)	0.13 (1.15)	0.15 (1.33)	0.19 (1.68)	0.23 (2.04)	0.27 (2.39)	0.30 (2.66)	0.38 (3.36)	0.41 (3.63)	0.49 (4.34)	0.69 (6.11)	0.82 (7.26)	1.03 (9.12)	1.24 (11.0)	1.38 (12.2)	1.65 (14.6)	2.07 (18.3)	2.45 (21.7)
		60 Hz	0.046 (0.41)	0.055 (0.49)	0.077 (0.68)	0.092 (0.81)	0.11 (0.97)	0.13 (1.15)	0.15 (1.33)	0.19 (1.68)	0.23 (2.04)	0.27 (2.39)	0.30 (2.66)	0.38 (3.36)	0.41 (3.63)	0.49 (4.34)	0.69 (6.11)	0.82 (7.26)	1.03 (9.12)	1.24 (11.0)	1.38 (12.2)	1.65 (14.6)	2.07 (18.3)	2.45 (21.7)
MX6G□MA (metal bearing)	90 r/min	50 Hz	0.046 (0.41)	0.055 (0.49)	0.077 (0.68)	0.092 (0.81)	0.11 (0.97)	0.13 (1.15)	0.15 (1.33)	0.19 (1.68)	0.23 (2.04)	0.27 (2.39)	0.30 (2.66)	0.38 (3.36)	0.41 (3.63)	0.49 (4.34)	0.69 (6.11)	0.82 (7.26)	1.03 (9.12)	1.24 (11.0)	1.38 (12.2)	1.65 (14.6)	2.07 (18.3)	2.45 (21.7)
MX6G□M (metal bearing)		60 Hz	0.046 (0.41)	0.055 (0.49)	0.077 (0.68)	0.092 (0.81)	0.11 (0.97)	0.13 (1.15)	0.15 (1.33)	0.19 (1.68)	0.23 (2.04)	0.27 (2.39)	0.30 (2.66)	0.38 (3.36)	0.41 (3.63)	0.49 (4.34)	0.69 (6.11)	0.82 (7.26)	1.03 (9.12)	1.24 (11.0)	1.38 (12.2)	1.65 (14.6)	2.07 (18.3)	2.45 (21.7)
Rotational direction			Same as motor rotational direction												Reverse to motor rotational direction									

Permissible torque at output shaft of gear head using decimal gear head

Unit of permissible torque: upper (N·m) / lower (lb·in)

Applicable gear head Bearing	Decimal gear head	Reduction Ratio	Speed	Permissible Torque																				
				200	250	300	360	500	600	750	900	1000	1200	1500	1800									
MX6G□BA (ball bearing)	MX6G10XB	1200 r/min	50 Hz	2.45 (21.7)	2.45 (21.7)	2.45 (21.7)	2.45 (21.7)	2.45 (21.7)	2.45 (21.7)	2.45 (21.7)	2.45 (21.7)	2.45 (21.7)	2.45 (21.7)	2.45 (21.7)	2.45 (21.7)	2.45 (21.7)	2.45 (21.7)	2.45 (21.7)	2.45 (21.7)	2.45 (21.7)	2.45 (21.7)	2.45 (21.7)	2.45 (21.7)	2.45 (21.7)
			60 Hz	2.45 (21.7)	2.45 (21.7)	2.45 (21.7)	2.45 (21.7)	2.45 (21.7)	2.45 (21.7)	2.45 (21.7)	2.45 (21.7)	2.45 (21.7)	2.45 (21.7)	2.45 (21.7)	2.45 (21.7)	2.45 (21.7)	2.45 (21.7)	2.45 (21.7)	2.45 (21.7)	2.45 (21.7)	2.45 (21.7)	2.45 (21.7)	2.45 (21.7)	2.45 (21.7)
MX6G□B (ball bearing)	90 r/min	50 Hz	2.45 (21.7)	2.45 (21.7)	2.45 (21.7)	2.45 (21.7)	2.45 (21.7)	2.45 (21.7)	2.45 (21.7)	2.45 (21.7)	2.45 (21.7)	2.45 (21.7)	2.45 (21.7)	2.45 (21.7)	2.45 (21.7)	2.45 (21.7)	2.45 (21.7)	2.45 (21.7)	2.45 (21.7)	2.45 (21.7)	2.45 (21.7)	2.45 (21.7)	2.45 (21.7)	2.45 (21.7)
		60 Hz	2.45 (21.7)	2.45 (21.7)	2.45 (21.7)	2.45 (21.7)	2.45 (21.7)	2.45 (21.7)	2.45 (21.7)	2.45 (21.7)	2.45 (21.7)	2.45 (21.7)	2.45 (21.7)	2.45 (21.7)	2.45 (21.7)	2.45 (21.7)	2.45 (21.7)	2.45 (21.7)	2.45 (21.7)	2.45 (21.7)	2.45 (21.7)	2.45 (21.7)	2.45 (21.7)	2.45 (21.7)
MX6G□MA (metal bearing)	90 r/min	50 Hz	2.45 (21.7)	2.45 (21.7)	2.45 (21.7)	2.45 (21.7)	2.45 (21.7)	2.45 (21.7)	2.45 (21.7)	2.45 (21.7)	2.45 (21.7)	2.45 (21.7)	2.45 (21.7)	2.45 (21.7)	2.45 (21.7)	2.45 (21.7)	2.45 (21.7)	2.45 (21.7)	2.45 (21.7)	2.45 (21.7)	2.45 (21.7)	2.45 (21.7)	2.45 (21.7)	2.45 (21.7)
MX6G□M (metal bearing)		60 Hz	2.45 (21.7)	2.45 (21.7)	2.45 (21.7)	2.45 (21.7)	2.45 (21.7)	2.45 (21.7)	2.45 (21.7)	2.45 (21.7)	2.45 (21.7)	2.45 (21.7)	2.45 (21.7)	2.45 (21.7)	2.45 (21.7)	2.45 (21.7)	2.45 (21.7)	2.45 (21.7)	2.45 (21.7)	2.45 (21.7)	2.45 (21.7)	2.45 (21.7)	2.45 (21.7)	2.45 (21.7)
Rotational direction			Same as motor rotational direction						Reverse to motor rotational direction															

Speed-torque characteristics



Connection diagram

* For the connection diagram showing wiring with the speed controller, refer to pages C-6 to C-20.

* Working range line

The working range line shows the working limit for the variable speed motor. The permissible torque should fall within the shaded portion. If you use the motor with the permissible torque exceeding the working range line (falling within the portion not shaded), the motor may be burned out due to a high temperature rise or the gear tooth may be damaged.

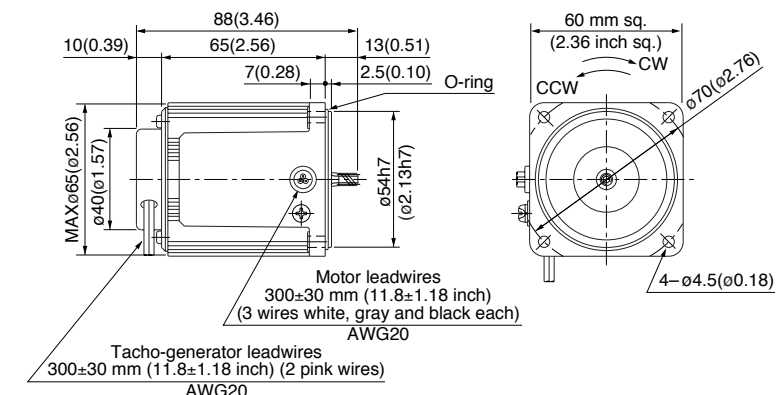
* Please read your User's manual carefully so that you will understand the operation and safety precautions before attempting to operate the system.

Motor (dimensions)

Scale: 1/3, Unit: mm (inch)

M6RX4GV4L 4P 4 W 100 V

Mass 0.60 kg (1.32 lb)
Helical gear
Module 0.5
Number of teeth 6



Capacitor (dimensions) [attachment]

Unit: mm (inch)

Capacitor cap (dimensions) [option]

Unit: mm (inch)



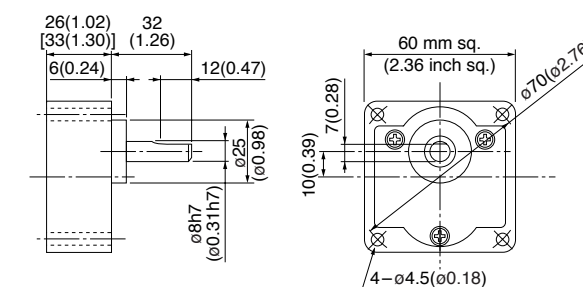
Capacitor dimension list Unit: upper (mm) / lower (inch)

Model number of motor	Model number of capacitor (attachment)	L	W	D	H	T	Capacitor cap (option)	W1	W2	W3	W4
M6RX4GV4L	M0PC2.5M20	39.5 (1.56)	16 (0.63)	26.5 (1.04)	30.5 (1.20)	4 (0.16)	M0PC3917	39.5 (1.56)	37.5 (1.48)	17 (0.67)	15 (0.59)

Gear head (dimensions)

Scale: 1/3, Unit: mm (inch)

MX6G□BA (ball bearing) Mass 0.24 kg (0.53 lb): Output shaft D cut
MX6G□MA (metal bearing) Mass 0.24 kg (0.53 lb): Output shaft D cut
MX6G□B (ball bearing) Mass 0.3 kg (0.66 lb): Output shaft D cut
MX6G□M (metal bearing) Mass 0.3 kg (0.66 lb): Output shaft D cut



* Figures in [] represent the dimensions of MX6G□B (M) (1/30 or larger reduction ratio).

(The model number of the gear head with a reduction ratio of 1/25 or smaller is MX6G□BA (MA).)

(Note) Because the dimensions may be subject to change, also check the determinate dimensions if the gear head is to be used for design.

Variable speed reversible motor (leadwire)

60 mm (2.36 inch) sq. 6 W

Specifications

Size	Motor model No.	Number of pole (P)	Output (W)	Voltage (V)	Frequency (Hz)	Rating (min)	Variable speed range		Permissible Torque N·m (oz·in)		Starting current (A)	Starting torque N·m (oz·in)	Capacitor (μF) (rated voltage)
							Speed (r/min)	at 1200 r/min	at 90 r/min	at 1200 r/min			
60 mm sq.	M6RX6GV4L	4	6	100	50	30	90 to 1400	0.030 (4.25)	0.030 (4.25)	0.31	0.038 (5.38)	3 (200 V)	
							90 to 1700	0.030 (4.25)	0.030 (4.25)	0.31	0.038 (5.38)		
	M6RX6GV4Y	4	6	200	50	30	90 to 1400	0.030 (4.25)	0.030 (4.25)	0.16	0.038 (5.38)	0.8 (400 V)	
							90 to 1700	0.030 (4.25)	0.030 (4.25)	0.16	0.038 (5.38)		

* The specifications and wire connections of the round shaft motor are the same as those of the pinion shaft type. For the dimensional outline drawing, refer to page B-306.

Permissible torque at output shaft of gear head

Unit of permissible torque: upper (N·m) / lower (lb·in)

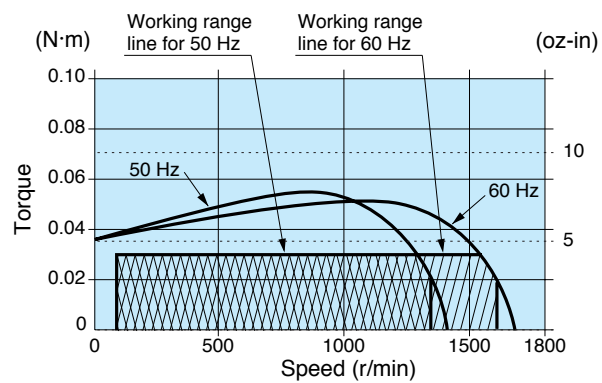
Applicable gear head Bearing	Reduction Ratio	Speed	Permissible Torque																				
			3	3.6	5	6	7.5	9	10	12.5	15	18	20	25	30	36	50	60	75	90	100	120	150
MX6G□BA (ball bearing)	1200 r/min	50 Hz	0.072 (0.64)	0.087 (0.77)	0.12 (1.06)	0.14 (1.24)	0.18 (1.59)	0.21 (1.86)	0.24 (2.12)	0.29 (2.57)	0.36 (3.19)	0.43 (3.81)	0.48 (4.25)	0.60 (5.31)	0.65 (5.75)	0.78 (6.90)	1.09 (9.65)	1.30 (11.5)	1.63 (14.4)	1.98 (17.5)	2.18 (19.3)	2.45 (21.7)	2.45 (21.7)
		60 Hz	0.072 (0.64)	0.087 (0.77)	0.12 (1.06)	0.14 (1.24)	0.18 (1.59)	0.21 (1.86)	0.24 (2.12)	0.29 (2.57)	0.36 (3.19)	0.43 (3.81)	0.48 (4.25)	0.60 (5.31)	0.65 (5.75)	0.78 (6.90)	1.09 (9.65)	1.30 (11.5)	1.63 (14.4)	1.98 (17.5)	2.18 (19.3)	2.45 (21.7)	2.45 (21.7)
MX6G□B (ball bearing)	90 r/min	50 Hz	0.072 (0.64)	0.087 (0.77)	0.12 (1.06)	0.14 (1.24)	0.18 (1.59)	0.21 (1.86)	0.24 (2.12)	0.29 (2.57)	0.36 (3.19)	0.43 (3.81)	0.48 (4.25)	0.60 (5.31)	0.65 (5.75)	0.78 (6.90)	1.09 (9.65)	1.30 (11.5)	1.63 (14.4)	1.98 (17.5)	2.18 (19.3)	2.45 (21.7)	2.45 (21.7)
MX6G□MA (metal bearing)		60 Hz	0.072 (0.64)	0.087 (0.77)	0.12 (1.06)	0.14 (1.24)	0.18 (1.59)	0.21 (1.86)	0.24 (2.12)	0.29 (2.57)	0.36 (3.19)	0.43 (3.81)	0.48 (4.25)	0.60 (5.31)	0.65 (5.75)	0.78 (6.90)	1.09 (9.65)	1.30 (11.5)	1.63 (14.4)	1.98 (17.5)	2.18 (19.3)	2.45 (21.7)	2.45 (21.7)
MX6G□M (metal bearing)	Rotational direction		Same as motor rotational direction												Reverse to motor rotational direction								

Permissible torque at output shaft of gear head using decimal gear head

Unit of permissible torque: upper (N·m) / lower (lb·in)

Applicable gear head Bearing	Decimal gear head	Reduction Ratio	Speed	Permissible Torque																			
				200	250	300	360	500	600	750	900	1000	1200	1500	1800								
MX6G□BA (ball bearing)	MX6G10XB	1200 r/min	50 Hz	2.45 (21.7)	2.45 (21.7)	2.45 (21.7)	2.45 (21.7)	2.45 (21.7)	2.45 (21.7)	2.45 (21.7)	2.45 (21.7)	2.45 (21.7)	2.45 (21.7)	2.45 (21.7)	2.45 (21.7)	2.45 (21.7)	2.45 (21.7)	2.45 (21.7)	2.45 (21.7)	2.45 (21.7)	2.45 (21.7)	2.45 (21.7)	2.45 (21.7)
			60 Hz	2.45 (21.7)	2.45 (21.7)	2.45 (21.7)	2.45 (21.7)	2.45 (21.7)	2.45 (21.7)	2.45 (21.7)	2.45 (21.7)	2.45 (21.7)	2.45 (21.7)	2.45 (21.7)	2.45 (21.7)	2.45 (21.7)	2.45 (21.7)	2.45 (21.7)	2.45 (21.7)	2.45 (21.7)	2.45 (21.7)	2.45 (21.7)	2.45 (21.7)
MX6G□B (ball bearing)	90 r/min	50 Hz	2.45 (21.7)	2.45 (21.7)	2.45 (21.7)	2.45 (21.7)	2.45 (21.7)	2.45 (21.7)	2.45 (21.7)	2.45 (21.7)	2.45 (21.7)	2.45 (21.7)	2.45 (21.7)	2.45 (21.7)	2.45 (21.7)	2.45 (21.7)	2.45 (21.7)	2.45 (21.7)	2.45 (21.7)	2.45 (21.7)	2.45 (21.7)	2.45 (21.7)	2.45 (21.7)
MX6G□MA (metal bearing)		60 Hz	2.45 (21.7)	2.45 (21.7)	2.45 (21.7)	2.45 (21.7)	2.45 (21.7)	2.45 (21.7)	2.45 (21.7)	2.45 (21.7)	2.45 (21.7)	2.45 (21.7)	2.45 (21.7)	2.45 (21.7)	2.45 (21.7)	2.45 (21.7)	2.45 (21.7)	2.45 (21.7)	2.45 (21.7)	2.45 (21.7)	2.45 (21.7)	2.45 (21.7)	2.45 (21.7)
MX6G□M (metal bearing)	Rotational direction		Same as motor rotational direction												Reverse to motor rotational direction								

Speed-torque characteristics



Connection diagram

* For the connection diagram showing wiring with the speed controller, refer to pages C-6 to C-20.

* Working range line

The working range line shows the working limit for the variable speed motor. The permissible torque should fall within the shaded portion. If you use the motor with the permissible torque exceeding the working range line (falling within the portion not shaded), the motor may be burned out due to a high temperature rise or the gear tooth may be damaged.

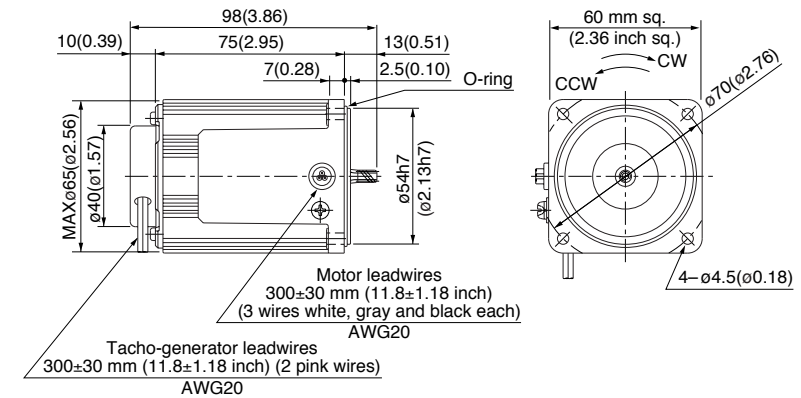
* Please read your User's manual carefully so that you will understand the operation and safety precautions before attempting to operate the system.

Motor (dimensions)

Scale: 1/3, Unit: mm (inch)

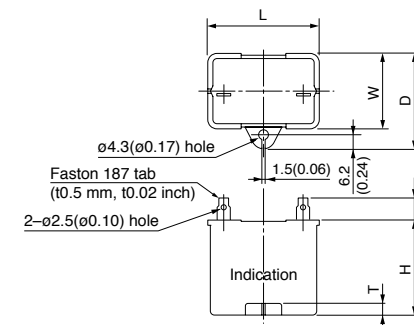
M6RX6GV4L 4P 6 W 100 V
M6RX6GV4Y 4P 6 W 200 V

Mass 0.71 kg (1.57 lb)
Helical gear
Module 0.5
Number of teeth 6



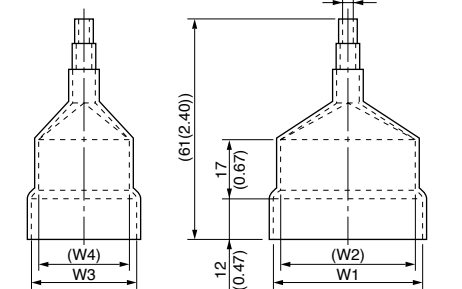
Capacitor (dimensions) [attachment]

Unit: mm (inch)



Capacitor cap (dimensions) [option]

Unit: mm (inch)



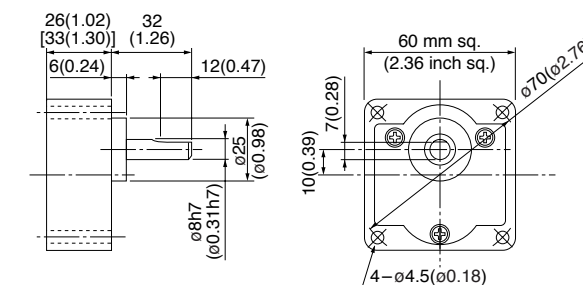
Capacitor dimension list Unit: upper (mm) / lower (inch)

Model number of motor	Model number of capacitor (attachment)	L	W	D	H	T	Capacitor cap (option)	W1	W2	W3	W4
M6RX6GV4L	M0PC3M20	39.5 (1.56)	16 (0.63)	26.5 (1.04)	30.5 (1.20)	4 (0.16)	M0PC3917	39.5 (1.56)	37.5 (1.48)	17 (0.67)	15 (0.59)
M6RX6GV4Y	M0PC0.8M40	39.5 (1.56)	16.2 (0.64)	27 (1.06)	27 (1.06)	4 (0.16)	M0PC3917	39.5 (1.56)	37.5 (1.48)	17 (0.67)	15 (0.59)

Gear head (dimensions)

Scale: 1/3, Unit: mm (inch)

MX6G□BA (ball bearing) Mass 0.24 kg (0.53 lb): Output shaft D cut
MX6G□MA (metal bearing) Mass 0.24 kg (0.53 lb): Output shaft D cut
MX6G□B (ball bearing) Mass 0.3 kg (0.66 lb): Output shaft D cut
MX6G□M (metal bearing) Mass 0.3 kg (0.66 lb): Output shaft D cut



* Figures in [] represent the dimensions of MX6G□B (M) (1/30 or larger reduction ratio).

(The model number of the gear head with a reduction ratio of 1/25 or smaller is MX6G□BA (MA).)

(Note) Because the dimensions may be subject to change, also check the determinate dimensions if the gear head is to be used for design.

Specifications

Size	Motor model No.	Number of pole (P)	Output (W)	Voltage (V)	Frequency (Hz)	Rating (min)	Variable speed range		Permissible Torque N·m (oz·in)		Starting current (A)	Starting torque N·m (oz·in)	Capacitor (μF) (rated voltage)
							Speed (r/min)	at 1200 r/min	at 90 r/min				
70 mm sq.	M7RX15GV4L	4	15	100	50	30	90 to 1400	0.098 (13.9)	0.046 (6.51)	0.59	0.080 (11.3)	6 (200 V)	
							90 to 1700	0.098 (13.9)	0.046 (6.51)	0.57	0.080 (11.3)		
	M7RX15GV4Y	4	15	200	50	30	90 to 1400	0.098 (13.9)	0.046 (6.51)	0.30	0.080 (11.3)	1.5 (400 V)	
							90 to 1700	0.098 (13.9)	0.046 (6.51)	0.30	0.080 (11.3)		

* The specifications and wire connections of the round shaft motor are the same as those of the pinion shaft type. For the dimensional outline drawing, refer to page B-306.

Permissible torque at output shaft of gear head

Unit of permissible torque: upper (N·m) / lower (lb·in)

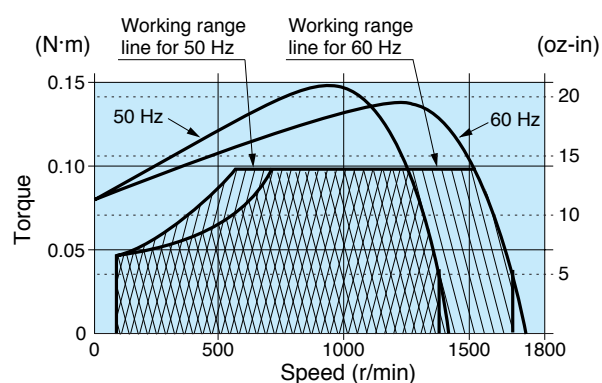
Applicable gear head Bearing	Reduction Ratio	Speed	Permissible Torque																					
			3	3.6	5	6	7.5	9	10	12.5	15	18	20	25	30	36	50	60	75	90	100	120	150	180
MX7G□BA (ball bearing)	1200 r/min	50 Hz	0.23 (2.04)	0.28 (2.48)	0.39 (3.45)	0.47 (4.16)	0.59 (5.22)	0.71 (6.28)	0.79 (6.99)	0.99 (8.76)	1.19 (10.5)	1.42 (12.6)	1.58 (14.0)	1.98 (17.5)	2.13 (18.9)	2.56 (22.7)	3.56 (31.5)	4.27 (37.8)	4.90 (43.4)	4.90 (43.4)	4.90 (43.4)	4.90 (43.4)	4.90 (43.4)	4.90 (43.4)
		60 Hz	0.23 (2.04)	0.28 (2.48)	0.39 (3.45)	0.47 (4.16)	0.59 (5.22)	0.71 (6.28)	0.79 (6.99)	0.99 (8.76)	1.19 (10.5)	1.42 (12.6)	1.58 (14.0)	1.98 (17.5)	2.13 (18.9)	2.56 (22.7)	3.56 (31.5)	4.27 (37.8)	4.90 (43.4)	4.90 (43.4)	4.90 (43.4)	4.90 (43.4)	4.90 (43.4)	4.90 (43.4)
MX7G□MA (metal bearing)	90 r/min	50 Hz	0.11 (0.97)	0.13 (1.15)	0.18 (1.59)	0.22 (1.95)	0.27 (2.39)	0.33 (2.92)	0.37 (3.27)	0.46 (4.07)	0.55 (4.87)	0.66 (5.84)	0.74 (6.55)	0.93 (8.23)	1.00 (8.85)	1.20 (10.6)	1.67 (14.8)	2.00 (17.7)	2.50 (22.1)	3.00 (26.6)	3.34 (29.6)	4.00 (35.4)	4.90 (43.4)	4.90 (43.4)
		60 Hz	0.11 (0.97)	0.13 (1.15)	0.18 (1.59)	0.22 (1.95)	0.27 (2.39)	0.33 (2.92)	0.37 (3.27)	0.46 (4.07)	0.55 (4.87)	0.66 (5.84)	0.74 (6.55)	0.93 (8.23)	1.00 (8.85)	1.20 (10.6)	1.67 (14.8)	2.00 (17.7)	2.50 (22.1)	3.00 (26.6)	3.34 (29.6)	4.00 (35.4)	4.90 (43.4)	4.90 (43.4)
Rotational direction			Same as motor rotational direction												Reverse to motor rotational direction									

Permissible torque at output shaft of gear head using decimal gear head

Unit of permissible torque: upper (N·m) / lower (lb·in)

Applicable gear head Bearing	Decimal gear head	Reduction Ratio	Speed	Permissible Torque																				
				200	250	300	360	500	600	750	900	1000	1200	1500	1800									
MX7G□BA (ball bearing)	MX7G10XB	1200 r/min	50 Hz	4.90 (43.4)	4.90 (43.4)	4.90 (43.4)	4.90 (43.4)	4.90 (43.4)	4.90 (43.4)	4.90 (43.4)	4.90 (43.4)	4.90 (43.4)	4.90 (43.4)	4.90 (43.4)	4.90 (43.4)	4.90 (43.4)	4.90 (43.4)	4.90 (43.4)	4.90 (43.4)	4.90 (43.4)	4.90 (43.4)	4.90 (43.4)	4.90 (43.4)	4.90 (43.4)
			60 Hz	4.90 (43.4)	4.90 (43.4)	4.90 (43.4)	4.90 (43.4)	4.90 (43.4)	4.90 (43.4)	4.90 (43.4)	4.90 (43.4)	4.90 (43.4)	4.90 (43.4)	4.90 (43.4)	4.90 (43.4)	4.90 (43.4)	4.90 (43.4)	4.90 (43.4)	4.90 (43.4)	4.90 (43.4)	4.90 (43.4)	4.90 (43.4)	4.90 (43.4)	4.90 (43.4)
MX7G□MA (metal bearing)	MX7G10XB	90 r/min	50 Hz	4.90 (43.4)	4.90 (43.4)	4.90 (43.4)	4.90 (43.4)	4.90 (43.4)	4.90 (43.4)	4.90 (43.4)	4.90 (43.4)	4.90 (43.4)	4.90 (43.4)	4.90 (43.4)	4.90 (43.4)	4.90 (43.4)	4.90 (43.4)	4.90 (43.4)	4.90 (43.4)	4.90 (43.4)	4.90 (43.4)	4.90 (43.4)	4.90 (43.4)	4.90 (43.4)
			60 Hz	4.90 (43.4)	4.90 (43.4)	4.90 (43.4)	4.90 (43.4)	4.90 (43.4)	4.90 (43.4)	4.90 (43.4)	4.90 (43.4)	4.90 (43.4)	4.90 (43.4)	4.90 (43.4)	4.90 (43.4)	4.90 (43.4)	4.90 (43.4)	4.90 (43.4)	4.90 (43.4)	4.90 (43.4)	4.90 (43.4)	4.90 (43.4)	4.90 (43.4)	4.90 (43.4)
Rotational direction			Same as motor rotational direction												Reverse to motor rotational direction									

Speed-torque characteristics



Connection diagram

* For the connection diagram showing wiring with the speed controller, refer to pages C-6 to C-20.

* Working range line

The working range line shows the working limit for the variable speed motor. The permissible torque should fall within the shaded portion. If you use the motor with the permissible torque exceeding the working range line (falling within the portion not shaded), the motor may be burned out due to a high temperature rise or the gear tooth may be damaged.

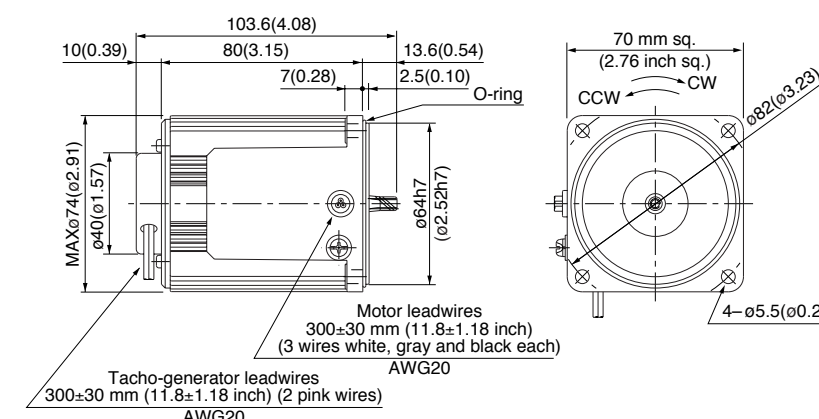
* Please read your User's manual carefully so that you will understand the operation and safety precautions before attempting to operate the system.

Motor (dimensions)

Scale: 1/3, Unit: mm (inch)

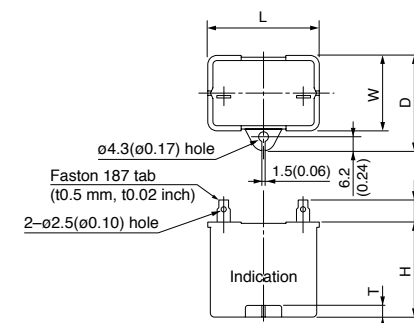
M7RX15GV4L	4P 15 W 100 V
M7RX15GV4Y	4P 15 W 200 V

Mass	Helical gear	Module	Number of teeth
1.1 kg (2.43 lb)		0.5	7



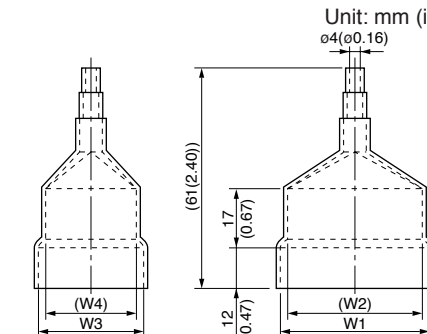
Capacitor (dimensions) [attachment]

Unit: mm (inch)



Capacitor cap (dimensions) [option]

Unit: mm (inch)



Capacitor dimension list Unit: upper (mm) / lower (inch)

Model number of motor	Model number of capacitor (attachment)	L	W	D	H	T	Capacitor cap (option)	W1	W2	W3	W4
M7RX15GV4L	M0PC6M20	39.5 (1.56)	17.5 (0.69)	28 (1.10)	30.5 (1.20)	4 (0.16)	M0PC3917	39.5 (1.56)	37.5 (1.48)	17 (0.67)	15 (0.59)
M7RX15GV4Y	M0PC1.5M40	39.5 (1.56)	22 (0.87)	32.5 (1.28)	32.5 (1.28)	4 (0.16)	M0PC3922	39.5 (1.56)	37.5 (1.48)	22 (0.87)	20 (0.79)

Gear head (dimensions)

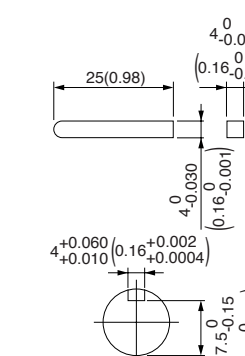
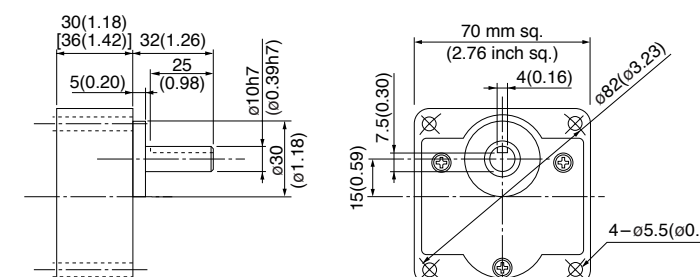
Scale: 1/3, Unit: mm (inch)

MX7G□BA (ball bearing)	Mass 0.38 kg (0.84 lb)
MX7G□MA (metal bearing)	Mass 0.38 kg (0.84 lb)

MX7G□B (ball bearing)	Mass 0.45 kg (0.99 lb)
MX7G□M (metal bearing)	Mass 0.45 kg (0.99 lb)

Key and keyway (dimensions) [attachment]

MX7G□BA(B)	MX7G□MA(M)
------------	------------



* Figures in [] represent the dimensions of MX7G□B (M) (1/30 or larger reduction ratio).

(The model number of the gear head with a reduction ratio of 1/25 or smaller is MX7G□BA (MA).)

(Note) Because the dimensions may be subject to change, also check the determinate dimensions if the gear head is to be used for design.

Variable speed reversible motor (leadwire)

US CE CCC 70 mm (2.76 inch) sq. 15 W

Specifications

Size	Motor model No.	Number of pole (P)	Output (W)	Voltage (V)	Frequency (Hz)	Rating (min)	Variable speed range		Permissible Torque N·m (oz·in)		Starting current (A)	Starting torque N·m (oz·in)	Capacitor (μF) (rated voltage)
							Speed (r/min)	at 1200 r/min	at 90 r/min				
70 mm sq.	M7RX15GV4LG M7RX15GV4LGA	4	15	100	50	30	90 to 1400	0.11 (15.6)	0.069 (9.77)	0.58	0.088 (12.5)	6.5 (250 V)	
					60		90 to 1700	0.088 (12.5)	0.069 (9.77)	0.58	0.088 (12.5)		
	M7RX15GV4DG M7RX15GV4DGA	4	15	110	60	30	90 to 1700	0.088 (12.5)	0.069 (9.77)	0.60	0.088 (12.5)	5.5 (250 V)	
					60		90 to 1700	0.088 (12.5)	0.069 (9.77)	0.63	0.10 (14.2)		
	M7RX15GV4YG M7RX15GV4YGA	4	15	200	50	30	90 to 1400	0.11 (15.6)	0.069 (9.77)	0.27	0.088 (12.5)	1.7 (450 V)	
					60		90 to 1700	0.088 (12.5)	0.069 (9.77)	0.28	0.088 (12.5)		
	M7RX15GV4GG M7RX15GV4GGA	4	15	220	50	30	90 to 1400	0.11 (15.6)	0.069 (9.77)	0.27	0.082 (11.6)	1.3 (450 V)	
					60		90 to 1700	0.088 (12.5)	0.069 (9.77)	0.26	0.082 (11.6)		
					230	30	90 to 1400	0.11 (15.6)	0.069 (9.77)	0.28	0.10 (14.2)		
							60	90 to 1700	0.088 (12.5)	0.069 (9.77)	0.28		0.10 (14.2)

• The specifications and wire connections of the round shaft motor are the same as those of the pinion shaft type. For the dimensional outline drawing, refer to page B-306.
 • The models with a motor model number to which "A" is suffixed are not equipped with a capacitor cap.
 • The models with a motor model number to which "A" is suffixed are not sold or available in Japan.

Permissible torque at output shaft of gear head

Unit of permissible torque: upper (N·m) / lower (lb·in)

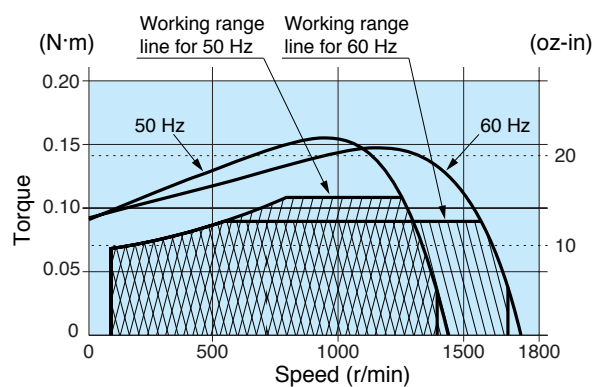
Applicable gear head	Reduction Ratio	Speed																						
		3	3.6	5	6	7.5	9	10	12.5	15	18	20	25	30	36	50	60	75	90	100	120	150	180	
MX7G□BA (ball bearing)	1200 r/min	50 Hz	0.27 (2.39)	0.32 (2.83)	0.45 (3.98)	0.53 (4.69)	0.67 (5.93)	0.80 (7.08)	0.89 (7.88)	1.11 (9.82)	1.34 (11.9)	1.60 (14.2)	1.78 (15.8)	2.23 (19.7)	2.41 (21.3)	2.89 (25.6)	4.01 (35.5)	4.81 (42.6)	4.90 (43.4)	4.90 (43.4)	4.90 (43.4)	4.90 (43.4)	4.90 (43.4)	4.90 (43.4)
		60 Hz	0.21 (1.86)	0.26 (2.30)	0.36 (3.19)	0.43 (3.81)	0.53 (4.69)	0.64 (5.66)	0.71 (6.28)	0.89 (7.88)	1.07 (9.47)	1.28 (11.3)	1.43 (12.7)	1.78 (15.8)	1.92 (17.0)	2.31 (20.4)	3.21 (28.4)	3.85 (34.1)	4.81 (42.6)	4.90 (43.4)	4.90 (43.4)	4.90 (43.4)	4.90 (43.4)	4.90 (43.4)
MX7G□MA (metal bearing)	90 r/min	50 Hz	0.17 (1.50)	0.20 (1.77)	0.28 (2.48)	0.34 (3.01)	0.42 (3.72)	0.50 (4.43)	0.56 (4.96)	0.70 (6.20)	0.84 (7.43)	1.01 (8.94)	1.12 (9.91)	1.40 (12.4)	1.51 (13.4)	1.81 (16.0)	2.52 (22.3)	3.02 (26.7)	3.77 (33.4)	4.53 (40.1)	4.90 (43.4)	4.90 (43.4)	4.90 (43.4)	4.90 (43.4)
		60 Hz	0.17 (1.50)	0.20 (1.77)	0.28 (2.48)	0.34 (3.01)	0.42 (3.72)	0.50 (4.43)	0.56 (4.96)	0.70 (6.20)	0.84 (7.43)	1.01 (8.94)	1.12 (9.91)	1.40 (12.4)	1.51 (13.4)	1.81 (16.0)	2.52 (22.3)	3.02 (26.7)	3.77 (33.4)	4.53 (40.1)	4.90 (43.4)	4.90 (43.4)	4.90 (43.4)	4.90 (43.4)
Rotational direction		Same as motor rotational direction											Reverse to motor rotational direction											

Permissible torque at output shaft of gear head using decimal gear head

Unit of permissible torque: upper (N·m) / lower (lb·in)

Applicable gear head	Reduction Ratio	Speed													
		200	250	300	360	500	600	750	900	1000	1200	1500	1800		
MX7G□BA (ball bearing)	1200 r/min	50 Hz	4.90 (43.4)	4.90 (43.4)	4.90 (43.4)	4.90 (43.4)	4.90 (43.4)	4.90 (43.4)	4.90 (43.4)	4.90 (43.4)	4.90 (43.4)	4.90 (43.4)	4.90 (43.4)	4.90 (43.4)	4.90 (43.4)
		60 Hz	4.90 (43.4)	4.90 (43.4)	4.90 (43.4)	4.90 (43.4)	4.90 (43.4)	4.90 (43.4)	4.90 (43.4)	4.90 (43.4)	4.90 (43.4)	4.90 (43.4)	4.90 (43.4)	4.90 (43.4)	4.90 (43.4)
MX7G□MA (metal bearing)	90 r/min	50 Hz	4.90 (43.4)	4.90 (43.4)	4.90 (43.4)	4.90 (43.4)	4.90 (43.4)	4.90 (43.4)	4.90 (43.4)	4.90 (43.4)	4.90 (43.4)	4.90 (43.4)	4.90 (43.4)	4.90 (43.4)	
		60 Hz	4.90 (43.4)	4.90 (43.4)	4.90 (43.4)	4.90 (43.4)	4.90 (43.4)	4.90 (43.4)	4.90 (43.4)	4.90 (43.4)	4.90 (43.4)	4.90 (43.4)	4.90 (43.4)	4.90 (43.4)	
Rotational direction		Same as motor rotational direction												Reverse to motor rotational direction	

Speed-torque characteristics



Connection diagram

* For the connection diagram showing wiring with the speed controller, refer to pages C-6 to C-20.

* Working range line

The working range line shows the working limit for the variable speed motor. The permissible torque should fall within the shaded portion. If you use the motor with the permissible torque exceeding the working range line (falling within the portion not shaded), the motor may be burned out due to a high temperature rise or the gear tooth may be damaged.

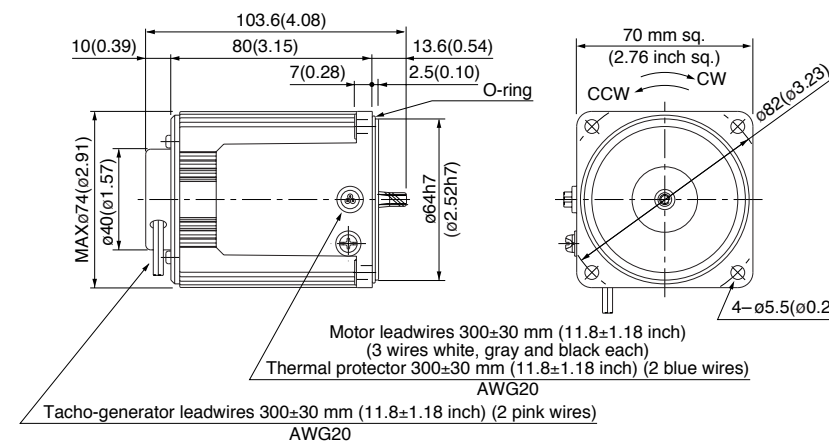
* Please read your User's manual carefully so that you will understand the operation and safety precautions before attempting to operate the system.

Motor (dimensions)

Scale: 1/3, Unit: mm (inch)

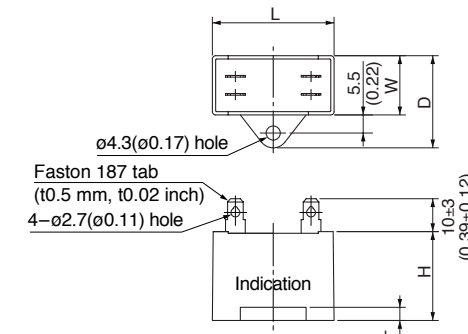
M7RX15GV4LG(A)	4P 15 W 100 V
M7RX15GV4DG(A)	4P 15 W 110 V / 115 V
M7RX15GV4YG(A)	4P 15 W 200 V
M7RX15GV4GG(A)	4P 15 W 220 V / 230 V

Mass	Helical gear	Module	Number of teeth
1.1 kg 2.43 lb		0.5	7



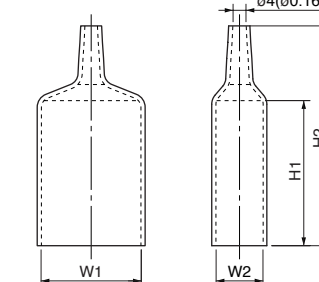
Capacitor (dimensions) [attachment]

Unit: mm (inch)



Capacitor cap (dimensions) [attachment]

Unit: mm (inch)



Capacitor dimension list

Unit: upper (mm) / lower (inch)

Model number of motor	Model number of capacitor (attachment)	L	W	D	H	T	Capacitor cap (attachment)	W1	W2	H1	H2
M7RX15GV4LG(A)	M0PC6.5M25G	48 (1.89)	19 (0.75)	29 (1.14)	29 (1.14)	4 (0.16)	M0PC4819G	48 (1.89)	19 (0.75)	55 (2.17)	78 (3.07)
M7RX15GV4DG(A)	M0PC5.5M25G	38 (1.50)	21 (0.83)	31 (1.22)	31 (1.22)	4 (0.16)	M0PC3821G	38 (1.50)	21 (0.83)	55 (2.17)	78 (3.07)
M7RX15GV4YG(A)	M0PC1.7M45G	38 (1.50)	21 (0.83)	31 (1.22)	31 (1.22)	4 (0.16)	M0PC3821G	38 (1.50)	21 (0.83)	55 (2.17)	78 (3.07)
M7RX15GV4GG(A)	M0PC1.3M45G	38 (1.50)	19 (0.75)	29 (1.14)	29 (1.14)	4 (0.16)	M0PC3819G	38 (1.50)	19 (0.75)	50 (1.97)	73 (2.87)

* The models with a motor model number to which "A" is suffixed are not equipped with a capacitor cap.

Gear head (dimensions)

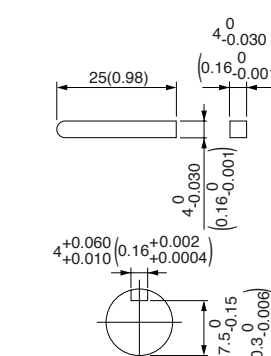
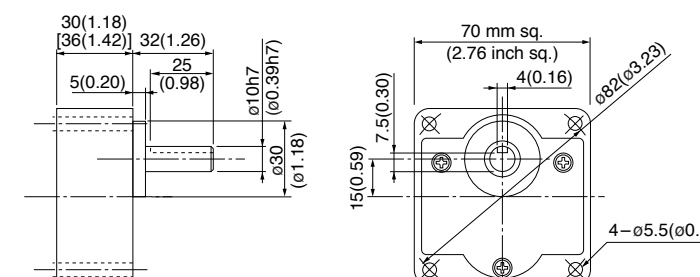
Scale: 1/3, Unit: mm (inch)

MX7G□BA (ball bearing) Mass 0.38 kg (0.84 lb)
 MX7G□MA (metal bearing) Mass 0.38 kg (0.84 lb)

MX7G□B (ball bearing) Mass 0.45 kg (0.99 lb)
 MX7G□M (metal bearing) Mass 0.45 kg (0.99 lb)

Key and keyway (dimensions) [attachment]

MX7G□BA(B)
 MX7G□MA(M)



* Figures in [] represent the dimensions of MX7G□B (M) (1/30 or larger reduction ratio).

(The model number of the gear head with a reduction ratio of 1/25 or smaller is MX7G□BA (MA).)

(Note) Because the dimensions may be subject to change, also check the determinate dimensions if the gear head is to be used for design.

Specifications

Size	Motor model No.	Number of pole (P)	Output (W)	Voltage (V)	Frequency (Hz)	Rating (min)	Variable speed range		Permissible Torque N·m (oz·in)		Starting current (A)	Starting torque N·m (oz·in)	Capacitor (μF) (rated voltage)
							Speed (r/min)	at 1200 r/min	at 90 r/min				
80 mm sq.	M8RX20GV4L	4	20	100	50	30	90 to 1400	0.12 (17.0)	0.049 (6.94)	0.73	0.12 (17.0)	7 (200 V)	
							90 to 1700	0.12 (17.0)	0.049 (6.94)	0.71	0.12 (17.0)		
	M8RX20GV4Y	4	20	200	50	30	90 to 1400	0.12 (17.0)	0.049 (6.94)	0.36	0.12 (17.0)	1.8 (400 V)	
							90 to 1700	0.12 (17.0)	0.049 (6.94)	0.36	0.12 (17.0)		

* The specifications and wire connections of the round shaft motor are the same as those of the pinion shaft type. For the dimensional outline drawing, refer to page B-306.

Permissible torque at output shaft of gear head

Unit of permissible torque: upper (N·m) / lower (lb·in)

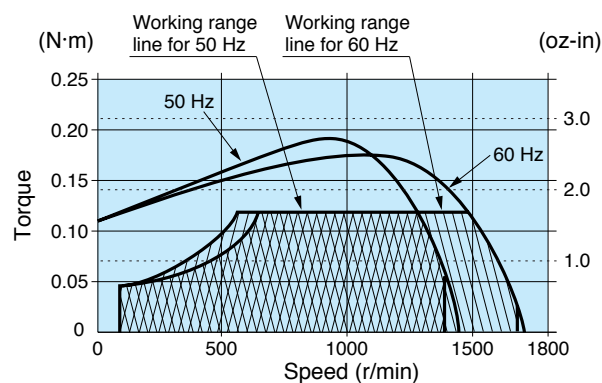
Applicable gear head Bearing	Reduction Ratio	Speed	Permissible Torque																					
			3	3.6	5	6	7.5	9	10	12.5	15	18	20	25	30	36	50	60	75	90	100	120	150	180
MX8G□B (ball bearing)	1200 r/min	50 Hz	0.29 (2.57)	0.34 (3.01)	0.48 (4.25)	0.58 (5.13)	0.72 (6.37)	0.87 (7.70)	0.97 (8.59)	1.21 (10.7)	1.45 (12.8)	1.74 (15.4)	1.94 (17.2)	2.43 (21.5)	2.62 (23.2)	3.14 (27.8)	4.37 (38.7)	5.24 (46.4)	6.55 (58.0)	7.84 (69.4)	7.84 (69.4)	7.84 (69.4)	7.84 (69.4)	7.84 (69.4)
		60 Hz	0.29 (2.57)	0.34 (3.01)	0.48 (4.25)	0.58 (5.13)	0.72 (6.37)	0.87 (7.70)	0.97 (8.59)	1.21 (10.7)	1.45 (12.8)	1.74 (15.4)	1.94 (17.2)	2.43 (21.5)	2.62 (23.2)	3.14 (27.8)	4.37 (38.7)	5.24 (46.4)	6.55 (58.0)	7.84 (69.4)	7.84 (69.4)	7.84 (69.4)	7.84 (69.4)	7.84 (69.4)
MX8G□M (metal bearing)	90 r/min	0.11 (0.97)	0.14 (1.24)	0.19 (1.68)	0.23 (2.04)	0.29 (2.57)	0.35 (3.10)	0.39 (3.45)	0.49 (4.34)	0.59 (5.22)	0.71 (6.28)	0.79 (6.99)	0.99 (8.76)	1.19 (10.5)	1.42 (12.6)	1.98 (17.5)	2.38 (21.1)	2.97 (26.3)	3.57 (31.6)	3.97 (35.1)	4.76 (42.1)	5.95 (52.7)	7.14 (63.2)	
Rotational direction		Same as motor rotational direction											Reverse to motor rotational direction											

Permissible torque at output shaft of gear head using decimal gear head

Unit of permissible torque: upper (N·m) / lower (lb·in)

Applicable gear head Bearing	Decimal gear head	Reduction Ratio	Speed	Permissible Torque																			
				200	250	300	360	500	600	750	900	1000	1200	1500	1800								
MX8G□B (ball bearing)	MX8G10XB	1200 r/min	50 Hz	7.84 (69.4)	7.84 (69.4)	7.84 (69.4)	7.84 (69.4)	7.84 (69.4)	7.84 (69.4)	7.84 (69.4)	7.84 (69.4)	7.84 (69.4)	7.84 (69.4)	7.84 (69.4)	7.84 (69.4)	7.84 (69.4)	7.84 (69.4)	7.84 (69.4)	7.84 (69.4)	7.84 (69.4)	7.84 (69.4)	7.84 (69.4)	7.84 (69.4)
			60 Hz	7.84 (69.4)	7.84 (69.4)	7.84 (69.4)	7.84 (69.4)	7.84 (69.4)	7.84 (69.4)	7.84 (69.4)	7.84 (69.4)	7.84 (69.4)	7.84 (69.4)	7.84 (69.4)	7.84 (69.4)	7.84 (69.4)	7.84 (69.4)	7.84 (69.4)	7.84 (69.4)	7.84 (69.4)	7.84 (69.4)	7.84 (69.4)	7.84 (69.4)
MX8G□M (metal bearing)	90 r/min	6.37 (56.4)	7.84 (69.4)	7.84 (69.4)	7.84 (69.4)	7.84 (69.4)	7.84 (69.4)	7.84 (69.4)	7.84 (69.4)	7.84 (69.4)	7.84 (69.4)	7.84 (69.4)	7.84 (69.4)	7.84 (69.4)	7.84 (69.4)	7.84 (69.4)	7.84 (69.4)	7.84 (69.4)	7.84 (69.4)	7.84 (69.4)	7.84 (69.4)	7.84 (69.4)	
Rotational direction		Same as motor rotational direction				Reverse to motor rotational direction																	

Speed-torque characteristics



Connection diagram

* For the connection diagram showing wiring with the speed controller, refer to pages C-6 to C-20.

* Working range line

The working range line shows the working limit for the variable speed motor. The permissible torque should fall within the shaded portion. If you use the motor with the permissible torque exceeding the working range line (falling within the portion not shaded), the motor may be burned out due to a high temperature rise or the gear tooth may be damaged.

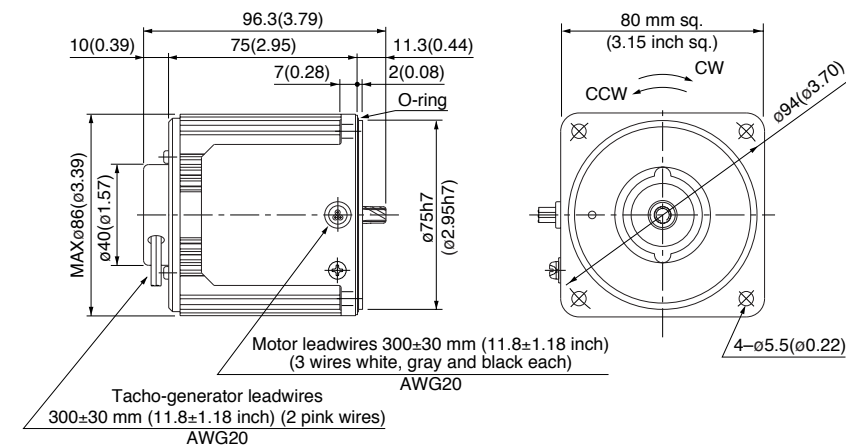
* Please read your User's manual carefully so that you will understand the operation and safety precautions before attempting to operate the system.

Motor (dimensions)

Scale: 1/3, Unit: mm (inch)

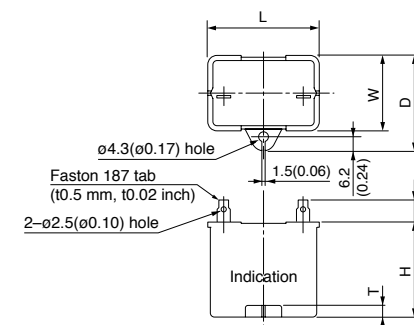
M8RX20GV4L	4P 20 W 100 V
M8RX20GV4Y	4P 20 W 200 V

Mass	Helical gear	Module	Number of teeth
1.2 kg 2.65 lb		0.5	9



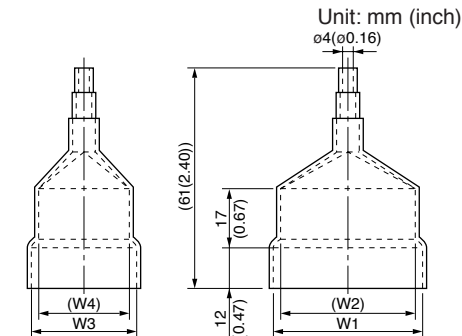
Capacitor (dimensions) [attachment]

Unit: mm (inch)



Capacitor cap (dimensions) [option]

Unit: mm (inch)



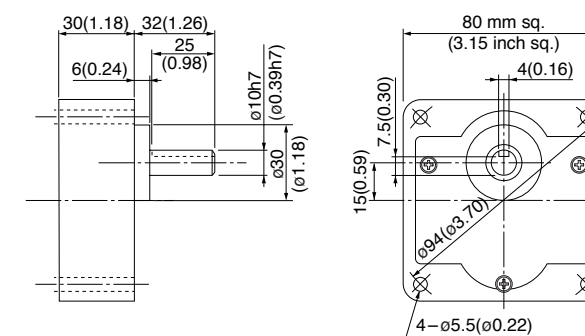
Capacitor dimension list Unit: upper (mm) / lower (inch)

Model number of motor	Model number of capacitor (attachment)	L	W	D	H	T	Capacitor cap (option)	W1	W2	W3	W4
M8RX20GV4L	M0PC7M20	39.5 (1.56)	22 (0.87)	32.5 (1.28)	30.5 (1.20)	4 (0.16)	M0PC3922	39.5 (1.56)	37.5 (1.48)	22 (0.87)	20 (0.79)
M8RX20GV4Y	M0PC1.8M40	39.5 (1.56)	22 (0.87)	32.5 (1.28)	32.5 (1.28)	4 (0.16)	M0PC3922	39.5 (1.56)	37.5 (1.48)	22 (0.87)	20 (0.79)

Gear head (dimensions)

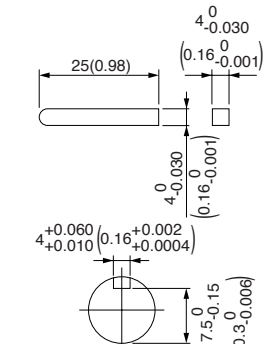
Scale: 1/3, Unit: mm (inch)

MX8G□B (ball bearing)	Mass 0.6 kg (1.32 lb)	MX8G□M (metal bearing)	Mass 0.6 kg (1.32 lb)
-----------------------	-----------------------	------------------------	-----------------------



Key and keyway (dimensions) [attachment]

MX8G□B(M)



(Note) Because the dimensions may be subject to change, also check the determinate dimensions if the gear head is to be used for design.

Variable speed reversible motor (leadwire)

80 mm (3.15 inch) sq. 25 W

Specifications

Size	Motor model No.	Number of pole (P)	Output (W)	Voltage (V)	Frequency (Hz)	Rating (min)	Variable speed range		Permissible Torque N·m (oz·in)		Starting current (A)	Starting torque N·m (oz·in)	Capacitor (μF) (rated voltage)
							Speed (r/min)	at 1200 r/min	at 90 r/min	at 1200 r/min			
80 mm sq.	M8RX25GV4L	4	25	100	50	30	90 to 1400	0.15 (21.2)	0.088 (12.5)	1.0	0.16 (22.7)	9.5 (200 V)	
							90 to 1700	0.15 (21.2)	0.088 (12.5)	1.0	0.16 (22.7)		
	M8RX25GV4Y	4	25	200	50	30	90 to 1400	0.15 (21.2)	0.088 (12.5)	0.5	0.16 (22.7)	2.4 (400 V)	
							90 to 1700	0.15 (21.2)	0.088 (12.5)	0.5	0.16 (22.7)		

* The specifications and wire connections of the round shaft motor are the same as those of the pinion shaft type. For the dimensional outline drawing, refer to page B-306.

Permissible torque at output shaft of gear head

Unit of permissible torque: upper (N·m) / lower (lb·in)

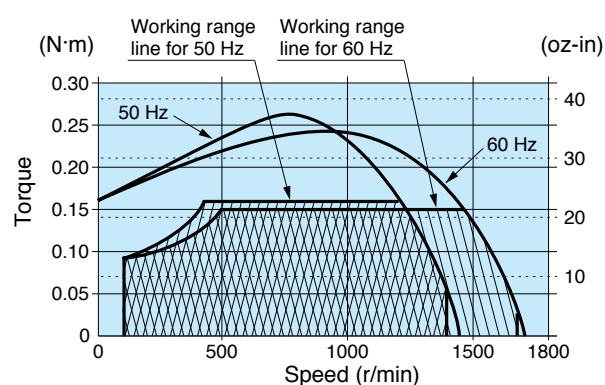
Applicable gear head Bearing	Reduction Ratio	Speed	Permissible Torque																					
			3	3.6	5	6	7.5	9	10	12.5	15	18	20	25	30	36	50	60	75	90	100	120	150	180
MX8G□B (ball bearing)	1200 r/min	50 Hz	0.34 (3.01)	0.40 (3.54)	0.56 (4.96)	0.68 (6.02)	0.85 (7.52)	1.02 (9.03)	1.13 (10.0)	1.41 (12.5)	1.70 (15.0)	2.04 (18.1)	2.26 (20.0)	2.83 (25.1)	3.06 (27.1)	3.67 (32.5)	5.10 (45.1)	6.12 (54.2)	7.65 (67.7)	7.84 (69.4)	7.84 (69.4)	7.84 (69.4)	7.84 (69.4)	7.84 (69.4)
		60 Hz	0.34 (3.01)	0.40 (3.54)	0.56 (4.96)	0.68 (6.02)	0.85 (7.52)	1.02 (9.03)	1.13 (10.0)	1.41 (12.5)	1.70 (15.0)	2.04 (18.1)	2.26 (20.0)	2.83 (25.1)	3.06 (27.1)	3.67 (32.5)	5.10 (45.1)	6.12 (54.2)	7.65 (67.7)	7.84 (69.4)	7.84 (69.4)	7.84 (69.4)	7.84 (69.4)	7.84 (69.4)
MX8G□M (metal bearing)	90 r/min	0.21 (1.86)	0.25 (2.21)	0.35 (3.10)	0.42 (3.72)	0.53 (4.69)	0.64 (5.66)	0.71 (6.28)	0.89 (7.88)	1.06 (9.38)	1.28 (11.3)	1.42 (12.6)	1.78 (15.8)	2.13 (18.9)	2.56 (22.7)	3.56 (31.5)	4.27 (37.8)	5.34 (47.3)	6.41 (56.7)	7.12 (63.0)	7.84 (69.4)	7.84 (69.4)	7.84 (69.4)	7.84 (69.4)
Rotational direction		Same as motor rotational direction												Reverse to motor rotational direction										

Permissible torque at output shaft of gear head using decimal gear head

Unit of permissible torque: upper (N·m) / lower (lb·in)

Applicable gear head Bearing	Decimal gear head	Reduction Ratio	Speed	Permissible Torque																				
				200	250	300	360	500	600	750	900	1000	1200	1500	1800									
MX8G□B (ball bearing)	MX8G10XB	1200 r/min	50 Hz	7.84 (69.4)	7.84 (69.4)	7.84 (69.4)	7.84 (69.4)	7.84 (69.4)	7.84 (69.4)	7.84 (69.4)	7.84 (69.4)	7.84 (69.4)	7.84 (69.4)	7.84 (69.4)	7.84 (69.4)	7.84 (69.4)	7.84 (69.4)	7.84 (69.4)	7.84 (69.4)	7.84 (69.4)	7.84 (69.4)	7.84 (69.4)	7.84 (69.4)	7.84 (69.4)
			60 Hz	7.84 (69.4)	7.84 (69.4)	7.84 (69.4)	7.84 (69.4)	7.84 (69.4)	7.84 (69.4)	7.84 (69.4)	7.84 (69.4)	7.84 (69.4)	7.84 (69.4)	7.84 (69.4)	7.84 (69.4)	7.84 (69.4)	7.84 (69.4)	7.84 (69.4)	7.84 (69.4)	7.84 (69.4)	7.84 (69.4)	7.84 (69.4)	7.84 (69.4)	7.84 (69.4)
MX8G□M (metal bearing)	90 r/min	7.84 (69.4)	7.84 (69.4)	7.84 (69.4)	7.84 (69.4)	7.84 (69.4)	7.84 (69.4)	7.84 (69.4)	7.84 (69.4)	7.84 (69.4)	7.84 (69.4)	7.84 (69.4)	7.84 (69.4)	7.84 (69.4)	7.84 (69.4)	7.84 (69.4)	7.84 (69.4)	7.84 (69.4)	7.84 (69.4)	7.84 (69.4)	7.84 (69.4)	7.84 (69.4)	7.84 (69.4)	7.84 (69.4)
Rotational direction		Same as motor rotational direction				Reverse to motor rotational direction																		

Speed-torque characteristics



Connection diagram

* For the connection diagram showing wiring with the speed controller, refer to pages C-6 to C-20.

* Working range line

The working range line shows the working limit for the variable speed motor. The permissible torque should fall within the shaded portion. If you use the motor with the permissible torque exceeding the working range line (falling within the portion not shaded), the motor may be burned out due to a high temperature rise or the gear tooth may be damaged.

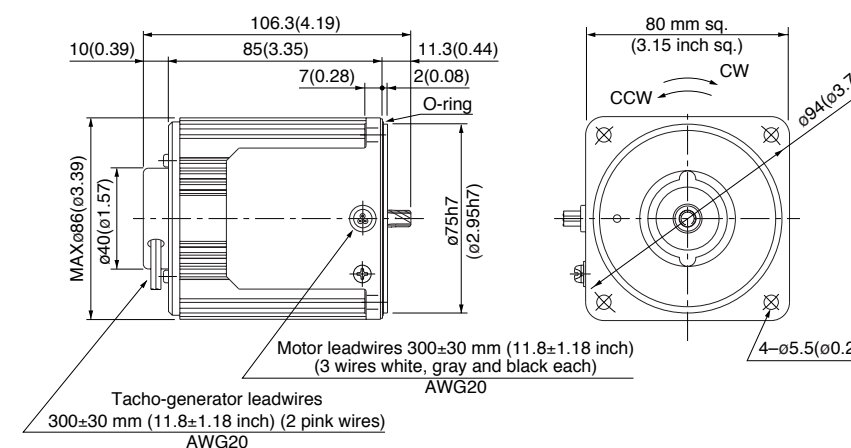
* Please read your User's manual carefully so that you will understand the operation and safety precautions before attempting to operate the system.

Motor (dimensions)

Scale: 1/3, Unit: mm (inch)

M8RX25GV4L 4P 25 W 100 V
M8RX25GV4Y 4P 25 W 200 V

Mass 1.5 kg 3.31 lb
Helical gear
Module 0.5
Number of teeth 9

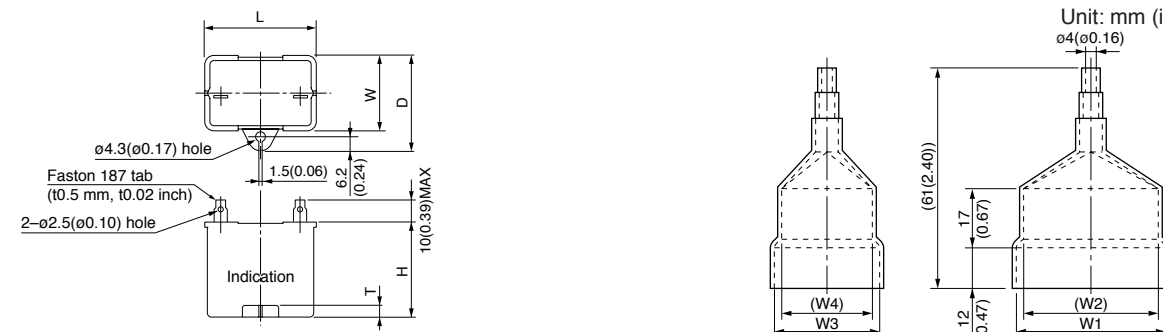


Capacitor (dimensions) [attachment]

Unit: mm (inch)

Capacitor cap (dimensions) [option]

Unit: mm (inch)



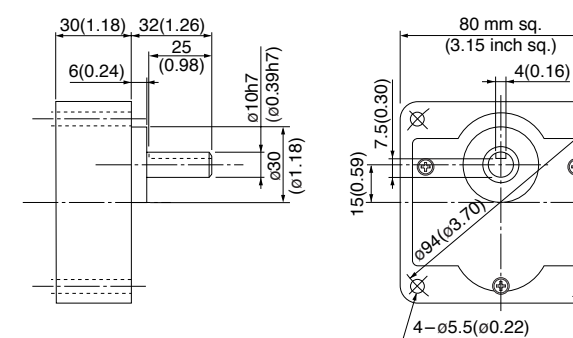
Capacitor dimension list Unit: upper (mm) / lower (inch)

Model number of motor	Model number of capacitor (attachment)	L	W	D	H	T	Capacitor cap (option)	W1	W2	W3	W4
M8RX25GV4L	M0PC9.5M20	39.5 (1.56)	22 (0.87)	32.5 (1.28)	30.5 (1.20)	4 (0.16)	M0PC3922	39.5 (1.56)	37.5 (1.48)	22 (0.87)	20 (0.79)
M8RX25GV4Y	M0PC2.4M40	49.7 (1.96)	24 (0.94)	34.5 (1.36)	34.5 (1.36)	4 (0.16)	M0PC5026	50 (1.97)	48 (1.89)	26 (1.02)	22 (0.87)

Gear head (dimensions)

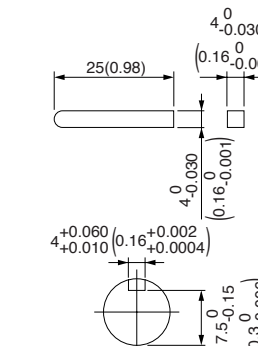
Scale: 1/3, Unit: mm (inch)

MX8G□B (ball bearing) Mass 0.6 kg (1.32 lb) MX8G□M (metal bearing) Mass 0.6 kg (1.32 lb)



Key and keyway (dimensions) [attachment]

MX8G□B(M)



(Note) Because the dimensions may be subject to change, also check the determinate dimensions if the gear head is to be used for design.

Specifications

Size	Motor model No.	Number of pole (P)	Output (W)	Voltage (V)	Frequency (Hz)	Rating (min)	Variable speed range		Permissible Torque N·m (oz·in)		Starting current (A)	Starting torque N·m (oz·in)	Capacitor (μF) (rated voltage)
							Speed (r/min)	at 1200 r/min	at 90 r/min				
80 mm sq.	M8RX25GV4LG M8RX25GV4LGA	4	25	100	50	30	90 to 1400	0.19 (26.9)	0.11 (15.6)	1.1	0.17 (24.1)	10	
					60		90 to 1700	0.15 (21.2)	0.11 (15.6)	1.1	0.17 (24.1)	(250 V)	
	M8RX25GV4DG M8RX25GV4DGA	4	25	110	30	90 to 1700	0.15 (21.2)	0.11 (15.6)	1.1	0.16 (22.7)	8		
				60		90 to 1700	0.15 (21.2)	0.11 (15.6)	1.2	0.17 (24.1)	(250 V)		
	M8RX25GV4YG M8RX25GV4YGA	4	25	200	30	90 to 1400	0.19 (26.9)	0.11 (15.6)	0.45	0.17 (24.1)	2.5		
				60		90 to 1700	0.15 (21.2)	0.11 (15.6)	0.46	0.17 (24.1)	(450 V)		
	M8RX25GV4GG M8RX25GV4GGA	4	25	220	30	90 to 1400	0.19 (26.9)	0.11 (15.6)	0.47	0.16 (22.7)	2		
				60		90 to 1700	0.15 (21.2)	0.11 (15.6)	0.46	0.16 (22.7)			
				230	30	90 to 1400	0.19 (26.9)	0.11 (15.6)	0.49	0.17 (24.1)	(450 V)		
				60		90 to 1700	0.15 (21.2)	0.11 (15.6)	0.48	0.17 (24.1)			

The specifications and wire connections of the round shaft motor are the same as those of the pinion shaft type. For the dimensional outline drawing, refer to page B-306.

The models with a motor model number to which "A" is suffixed are not equipped with a capacitor cap. The models with a motor model number to which "A" is suffixed are not sold or available in Japan.

Permissible torque at output shaft of gear head

Unit of permissible torque: upper (N·m) / lower (lb·in)

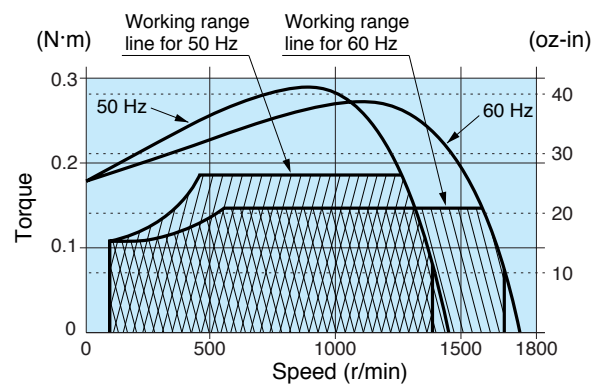
Applicable gear head	Reduction Ratio	Speed																						
		3	3.6	5	6	7.5	9	10	12.5	15	18	20	25	30	36	50	60	75	90	100	120	150	180	
MX8G□B (ball bearing)	1200 r/min	50 Hz	0.46 (4.07)	0.55 (4.87)	0.77 (6.82)	0.92 (8.14)	1.15 (10.2)	1.39 (12.3)	1.54 (13.6)	1.92 (17.0)	2.31 (20.4)	2.77 (24.5)	3.08 (27.3)	3.85 (34.1)	4.16 (36.8)	4.99 (44.2)	6.93 (61.3)	7.84 (69.4)	7.84 (69.4)	7.84 (69.4)	7.84 (69.4)	7.84 (69.4)	7.84 (69.4)	7.84 (69.4)
		60 Hz	0.36 (3.19)	0.44 (3.89)	0.61 (5.40)	0.73 (6.46)	0.91 (8.05)	1.09 (9.65)	1.22 (10.8)	1.52 (13.5)	1.82 (16.1)	2.19 (19.4)	2.43 (21.5)	3.04 (26.9)	3.28 (29.0)	3.94 (34.9)	5.47 (48.4)	6.56 (58.1)	7.84 (69.4)	7.84 (69.4)	7.84 (69.4)	7.84 (69.4)	7.84 (69.4)	7.84 (69.4)
MX8G□M (metal bearing)	90 r/min	50 Hz	0.27 (2.39)	0.32 (2.83)	0.45 (3.98)	0.53 (4.69)	0.67 (5.93)	0.80 (7.08)	0.89 (7.88)	1.11 (9.82)	1.34 (11.9)	1.60 (14.2)	1.78 (15.8)	2.23 (19.7)	2.41 (21.3)	2.89 (25.6)	4.01 (35.5)	4.81 (42.6)	6.01 (53.2)	7.22 (63.9)	7.84 (69.4)	7.84 (69.4)	7.84 (69.4)	7.84 (69.4)
		60 Hz	0.27 (2.39)	0.32 (2.83)	0.45 (3.98)	0.53 (4.69)	0.67 (5.93)	0.80 (7.08)	0.89 (7.88)	1.11 (9.82)	1.34 (11.9)	1.60 (14.2)	1.78 (15.8)	2.23 (19.7)	2.41 (21.3)	2.89 (25.6)	4.01 (35.5)	4.81 (42.6)	6.01 (53.2)	7.22 (63.9)	7.84 (69.4)	7.84 (69.4)	7.84 (69.4)	7.84 (69.4)
Rotational direction		Same as motor rotational direction											Reverse to motor rotational direction											

Permissible torque at output shaft of gear head using decimal gear head

Unit of permissible torque: upper (N·m) / lower (lb·in)

Applicable gear head	Reduction Ratio	Speed													
		200	250	300	360	500	600	750	900	1000	1200	1500	1800		
MX8G□B (ball bearing)	1200 r/min	50 Hz	7.84 (69.4)	7.84 (69.4)	7.84 (69.4)	7.84 (69.4)	7.84 (69.4)	7.84 (69.4)	7.84 (69.4)	7.84 (69.4)	7.84 (69.4)	7.84 (69.4)	7.84 (69.4)	7.84 (69.4)	7.84 (69.4)
		60 Hz	7.84 (69.4)	7.84 (69.4)	7.84 (69.4)	7.84 (69.4)	7.84 (69.4)	7.84 (69.4)	7.84 (69.4)	7.84 (69.4)	7.84 (69.4)	7.84 (69.4)	7.84 (69.4)	7.84 (69.4)	7.84 (69.4)
MX8G□M (metal bearing)	90 r/min	50 Hz	7.84 (69.4)	7.84 (69.4)	7.84 (69.4)	7.84 (69.4)	7.84 (69.4)	7.84 (69.4)	7.84 (69.4)	7.84 (69.4)	7.84 (69.4)	7.84 (69.4)	7.84 (69.4)	7.84 (69.4)	
		60 Hz	7.84 (69.4)	7.84 (69.4)	7.84 (69.4)	7.84 (69.4)	7.84 (69.4)	7.84 (69.4)	7.84 (69.4)	7.84 (69.4)	7.84 (69.4)	7.84 (69.4)	7.84 (69.4)	7.84 (69.4)	
Rotational direction		Same as motor rotational direction												Reverse to motor rotational direction	

Speed-torque characteristics



Connection diagram

* For the connection diagram showing wiring with the speed controller, refer to pages C-6 to C-20.

* Working range line

The working range line shows the working limit for the variable speed motor. The permissible torque should fall within the shaded portion. If you use the motor with the permissible torque exceeding the working range line (falling within the portion not shaded), the motor may be burned out due to a high temperature rise or the gear tooth may be damaged.

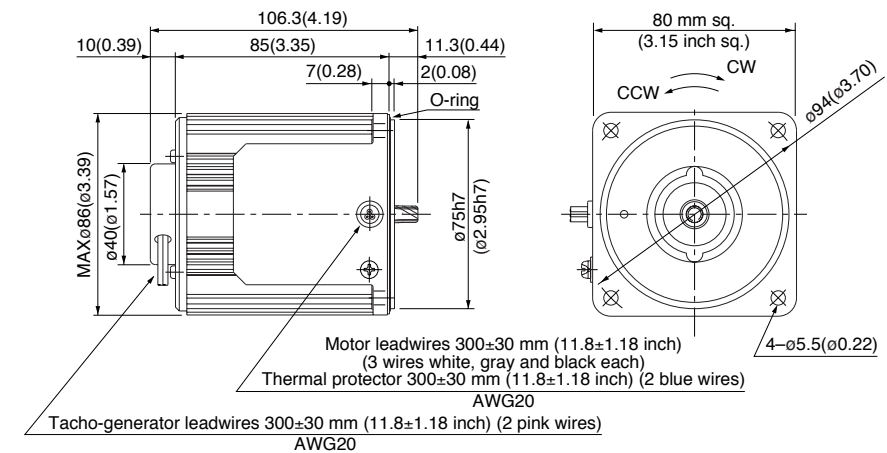
* Please read your User's manual carefully so that you will understand the operation and safety precautions before attempting to operate the system.

Motor (dimensions)

Scale: 1/3, Unit: mm (inch)

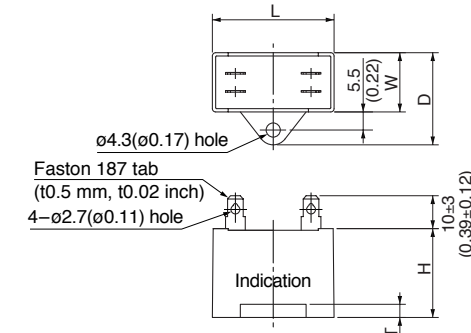
M8RX25GV4LG(A)	4P 25 W 100 V
M8RX25GV4DG(A)	4P 25 W 110 V / 115 V
M8RX25GV4YG(A)	4P 25 W 200 V
M8RX25GV4GG(A)	4P 25 W 220 V / 230 V

Mass	Helical gear	Module	Number of teeth
1.5 kg 3.31 lb		0.5	9



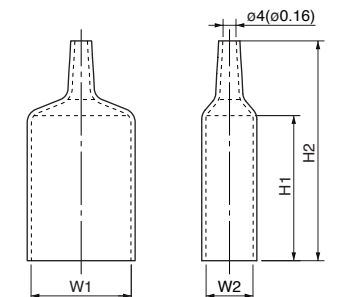
Capacitor (dimensions) [attachment]

Unit: mm (inch)



Capacitor cap (dimensions) [attachment]

Unit: mm (inch)



Capacitor dimension list

Unit: upper (mm) / lower (inch)

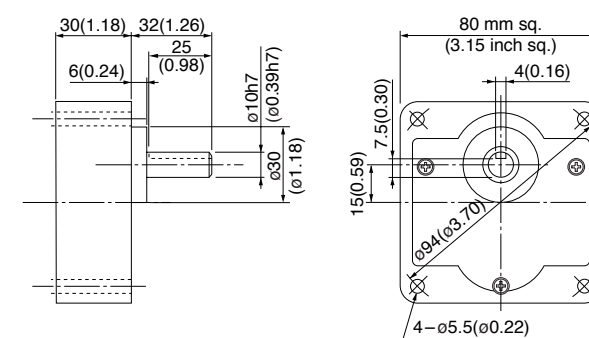
Model number of motor	Model number of capacitor (attachment)	L	W	D	H	T	Capacitor cap (attachment)	W1	W2	H1	H2
M8RX25GV4LG(A)	M0PC10M25G	58 (2.28)	21 (0.83)	31 (1.22)	31 (1.22)	4 (0.16)	M0PC5821G	58 (2.28)	21 (0.83)	55 (2.17)	78 (3.07)
M8RX25GV4DG(A)	M0PC8M25G	48 (1.89)	21 (0.83)	31 (1.22)	31 (1.22)	4 (0.16)	M0PC4821G	48 (1.89)	21 (0.83)	55 (2.17)	78 (3.07)
M8RX25GV4YG(A)	M0PC2.5M45G	48 (1.89)	21 (0.83)	31 (1.22)	31 (1.22)	4 (0.16)	M0PC4821G	48 (1.89)	21 (0.83)	55 (2.17)	78 (3.07)
M8RX25GV4GG(A)	M0PC2M45G	48 (1.89)	19 (0.75)	29 (1.14)	29 (1.14)	4 (0.16)	M0PC4819G	48 (1.89)	19 (0.75)	55 (2.17)	78 (3.07)

* The models with a motor model number to which "A" is suffixed are not equipped with a capacitor cap.

Gear head (dimensions)

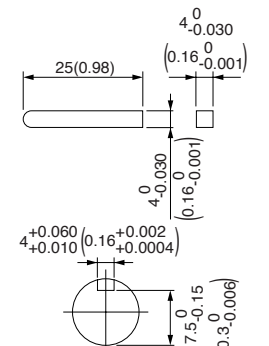
Scale: 1/3, Unit: mm (inch)

MX8G□B (ball bearing) Mass 0.6 kg (1.32 lb) MX8G□M (metal bearing) Mass 0.6 kg (1.32 lb)



Key and keyway (dimensions) [attachment]

MX8G□B(M)



(Note) Because the dimensions may be subject to change, also check the determinate dimensions if the gear head is to be used for design.

Variable speed reversible motor (leadwire)

90 mm (3.54 inch) sq. 40 W

Specifications

Size	Motor model No.	Number of pole (P)	Output (W)	Voltage (V)	Frequency (Hz)	Rating (min)	Variable speed range		Permissible Torque N·m (oz·in)		Starting current (A)	Starting torque N·m (oz·in)	Capacitor (μF) (rated voltage)
							Speed (r/min)	at 1200 r/min	at 90 r/min				
90 mm sq.	M9RX40GV4L	4	40	100	50	30	90 to 1400	0.30 (42.5)	0.098 (13.9)	1.60	0.25 (35.4)	15 (210 V)	
							90 to 1700	0.24 (34.0)	0.098 (13.9)	1.60	0.25 (35.4)		
	M9RX40GV4Y	4	40	200	50	30	90 to 1400	0.30 (42.5)	0.098 (13.9)	0.80	0.25 (35.4)	3.8 (400 V)	
							90 to 1700	0.24 (34.0)	0.098 (13.9)	0.76	0.25 (35.4)		

* The specifications and wire connections of the round shaft motor are the same as those of the pinion shaft type. For the dimensional outline drawing, refer to page B-307.

Permissible torque at output shaft of gear head

Unit of permissible torque: upper (N·m) / lower (lb·in)

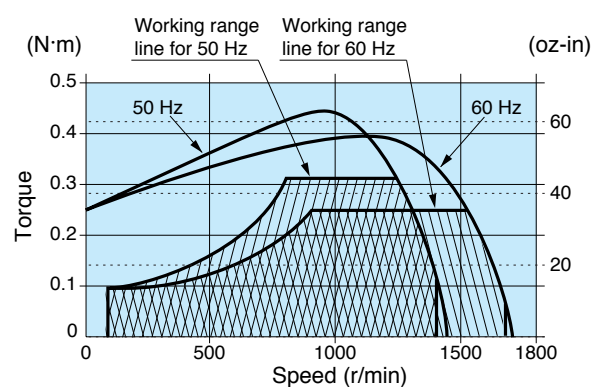
Applicable gear head Bearing	Reduction Ratio	Speed	Permissible Torque																					
			3	3.6	5	6	7.5	9	10	12.5	15	18	20	25	30	36	50	60	75	90	100	120	150	180
MX9G□B (ball bearing)	1200 r/min	50 Hz	0.66 (5.84)	0.84 (7.43)	1.08 (9.56)	1.38 (12.2)	1.57 (13.9)	2.00 (17.7)	2.25 (19.9)	2.74 (24.3)	3.23 (28.6)	4.13 (36.6)	4.41 (39.0)	5.29 (46.8)	6.37 (56.4)	8.15 (72.1)	9.80 (86.7)	9.80 (86.7)	9.80 (86.7)	9.80 (86.7)	9.80 (86.7)	9.80 (86.7)	9.80 (86.7)	9.80 (86.7)
		60 Hz	0.51 (4.51)	0.66 (5.84)	0.84 (7.43)	1.08 (9.56)	1.22 (10.8)	1.57 (13.9)	1.76 (15.6)	2.14 (18.9)	2.74 (24.3)	3.23 (28.6)	3.53 (31.2)	4.13 (36.6)	5.29 (46.8)	6.37 (56.4)	8.80 (77.9)	9.80 (86.7)	9.80 (86.7)	9.80 (86.7)	9.80 (86.7)	9.80 (86.7)	9.80 (86.7)	9.80 (86.7)
MX9G□M (metal bearing)	90 r/min		0.23 (2.04)	0.28 (2.48)	0.39 (3.45)	0.47 (4.16)	0.59 (5.22)	0.71 (6.28)	0.79 (6.99)	0.99 (8.76)	1.19 (10.5)	1.42 (12.6)	1.58 (14.0)	1.98 (17.5)	2.38 (21.1)	2.85 (25.2)	3.96 (35.0)	4.76 (42.1)	5.95 (52.7)	7.14 (63.2)	7.93 (70.2)	9.52 (84.3)	9.80 (86.7)	
Rotational direction		Same as motor rotational direction											Reverse to motor rotational direction											

Permissible torque at output shaft of gear head using decimal gear head

Unit of permissible torque: upper (N·m) / lower (lb·in)

Applicable gear head Bearing	Decimal gear head	Reduction Ratio	Speed	Permissible Torque													
				200	250	300	360	500	600	750	900	1000	1200	1500	1800		
MX9G□B (ball bearing)	MX9G10XB	1200 r/min	50 Hz	9.80 (86.7)	9.80 (86.7)	9.80 (86.7)	9.80 (86.7)	9.80 (86.7)	9.80 (86.7)	9.80 (86.7)	9.80 (86.7)	9.80 (86.7)	9.80 (86.7)	9.80 (86.7)	9.80 (86.7)	9.80 (86.7)	9.80 (86.7)
			60 Hz	9.80 (86.7)	9.80 (86.7)	9.80 (86.7)	9.80 (86.7)	9.80 (86.7)	9.80 (86.7)	9.80 (86.7)	9.80 (86.7)	9.80 (86.7)	9.80 (86.7)	9.80 (86.7)	9.80 (86.7)	9.80 (86.7)	9.80 (86.7)
MX9G□M (metal bearing)	90 r/min		9.80 (86.7)	9.80 (86.7)	9.80 (86.7)	9.80 (86.7)	9.80 (86.7)	9.80 (86.7)	9.80 (86.7)	9.80 (86.7)	9.80 (86.7)	9.80 (86.7)	9.80 (86.7)	9.80 (86.7)	9.80 (86.7)	9.80 (86.7)	
Rotational direction		Same as motor rotational direction			Reverse to motor rotational direction												

Speed-torque characteristics



Connection diagram

* For the connection diagram showing wiring with the speed controller, refer to pages C-6 to C-20.

* Working range line

The working range line shows the working limit for the variable speed motor. The permissible torque should fall within the shaded portion. If you use the motor with the permissible torque exceeding the working range line (falling within the portion not shaded), the motor may be burned out due to a high temperature rise or the gear tooth may be damaged.

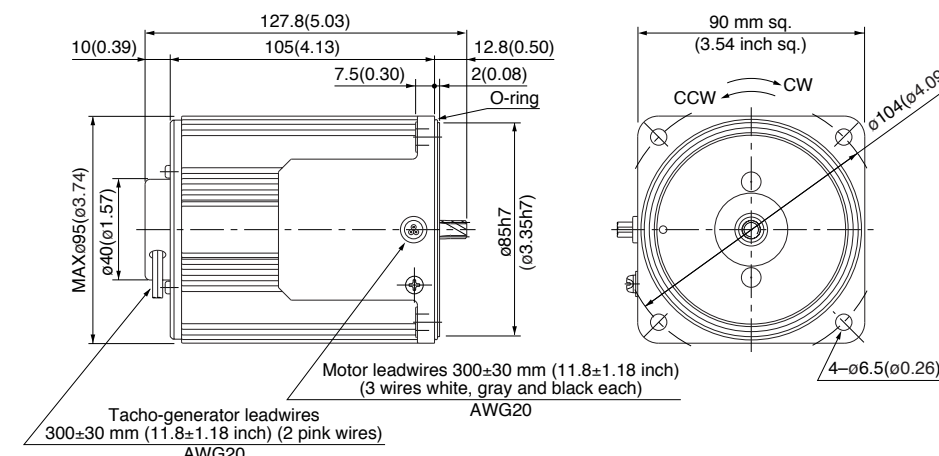
* Please read your User's manual carefully so that you will understand the operation and safety precautions before attempting to operate the system.

Motor (dimensions)

Scale: 1/3, Unit: mm (inch)

M9RX40GV4L 4P 40 W 100 V
M9RX40GV4Y 4P 40 W 200 V

Mass 2.4 kg 5.29 lb
Helical gear
Module 0.55
Number of teeth 9

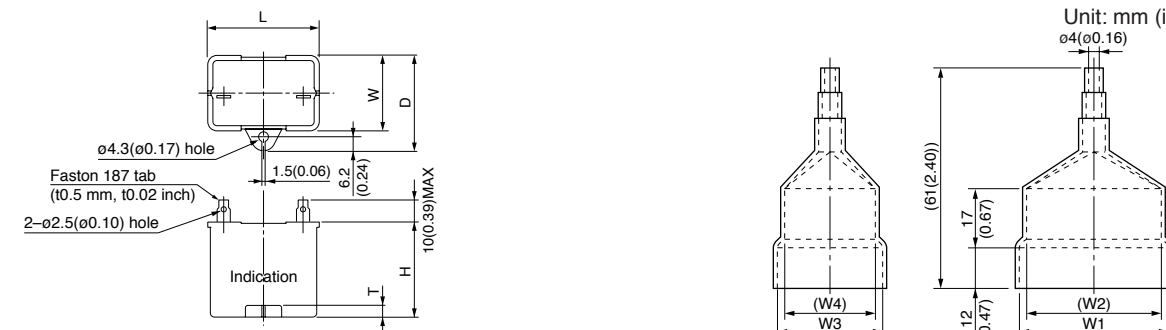


Capacitor (dimensions) [attachment]

Unit: mm (inch)

Capacitor cap (dimensions) [option]

Unit: mm (inch)



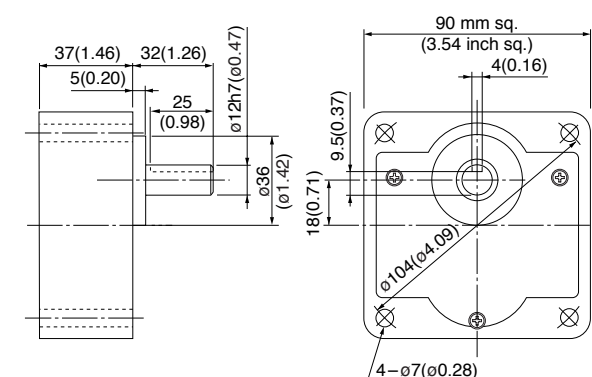
Capacitor dimension list Unit: upper (mm) / lower (inch)

Model number of motor	Model number of capacitor (attachment)	L	W	D	H	T	Capacitor cap (option)	W1	W2	W3	W4
M9RX40GV4L	M0PC15M20	39.5 (1.56)	26.7 (1.05)	37 (1.46)	41 (1.61)	4 (0.16)	M0PC3926	39.5 (1.56)	37.5 (1.48)	26 (1.02)	25 (0.98)
M9RX40GV4Y	M0PC3.8M40	50 (1.97)	26.7 (1.05)	37.5 (1.48)	38 (1.50)	4 (0.16)	M0PC5026	50 (1.97)	48 (1.89)	26 (1.02)	22 (0.87)

Gear head (dimensions)

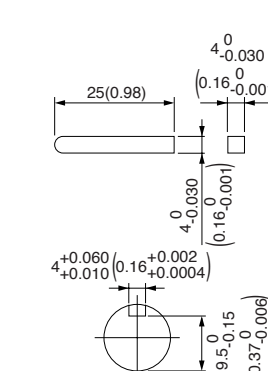
Scale: 1/3, Unit: mm (inch)

MX9G□B (ball bearing) Mass 0.8 kg (1.76 lb) MX9G□M (metal bearing) Mass 0.8 kg (1.76 lb)



Key and keyway (dimensions) [attachment]

MX9G□B(M)



(Note) Because the dimensions may be subject to change, also check the determinate dimensions if the gear head is to be used for design.

Variable speed reversible motor (leadwire)

90 mm (3.54 inch) sq. 60 W

Specifications

Size	Motor model No.	Number of pole (P)	Output (W)	Voltage (V)	Frequency (Hz)	Rating (min)	Variable speed range		Permissible Torque N·m (oz·in)		Starting current (A)	Starting torque N·m (oz·in)	Capacitor (μF) (rated voltage)
							Speed (r/min)	at 1200 r/min	at 90 r/min	at 1200 r/min			
90 mm sq.	M9RZ60GV4L	4	60	100	50	30	90 to 1400	0.43 (60.9)	0.12 (17.0)	3.0	0.46 (65.1)	25 (200 V)	
					60		90 to 1700	0.36 (51.0)	0.12 (17.0)	2.8	0.46 (65.1)		
	M9RZ60GV4Y	4	60	200	50	30	90 to 1400	0.43 (60.9)	0.12 (17.0)	1.4	0.46 (65.1)	6.2 (375 V)	
					60		90 to 1700	0.36 (51.0)	0.12 (17.0)	1.3	0.46 (65.1)		

The specifications and wire connections of the round shaft motor are the same as those of the pinion shaft type. For the dimensional outline drawing, refer to page B-307.

Permissible torque at output shaft of gear head

Unit of permissible torque: upper (N·m) / lower (lb·in)

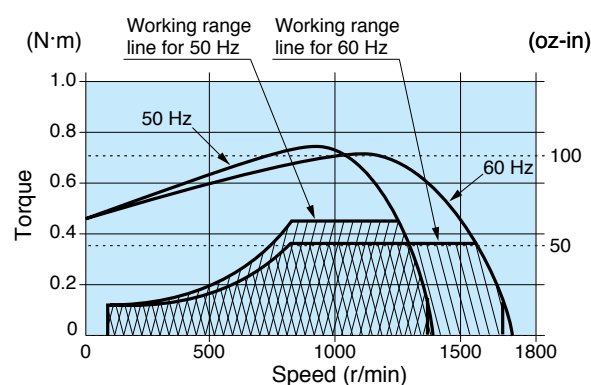
Applicable gear head Bearing	Reduction Ratio	Speed	Reduction Ratio																						
			3	3.6	5	6	7.5	9	10	12.5	15	18	20	25	30	36	50	60	75	90	100	120	150	180	200
MZ9G□B (ball bearing) (hinge not attached)	1200 r/min	50 Hz	1.04 (9.20)	1.25 (11.1)	1.74 (15.4)	2.08 (18.4)	2.61 (23.1)	3.13 (27.7)	3.48 (30.8)	3.91 (34.6)	4.69 (41.5)	5.63 (49.8)	6.26 (55.4)	7.82 (69.2)	9.39 (83.1)	10.1 (89.4)	14.0 (124)	16.8 (149)	19.6 (173)	19.6 (173)	19.6 (173)	19.6 (173)	19.6 (173)	19.6 (173)	19.6 (173)
		60 Hz	0.87 (7.70)	1.04 (9.20)	1.45 (12.8)	1.74 (15.4)	2.18 (19.3)	2.61 (23.1)	2.91 (25.8)	3.27 (28.9)	3.91 (34.6)	4.69 (41.5)	5.22 (46.2)	6.52 (57.7)	7.83 (69.3)	8.42 (74.5)	11.7 (104)	14.0 (124)	17.5 (155)	19.6 (173)	19.6 (173)	19.6 (173)	19.6 (173)	19.6 (173)	19.6 (173)
MY9G□B (ball bearing) (hinge attached)	90 r/min	50 Hz	0.29 (2.57)	0.34 (3.01)	0.48 (4.25)	0.58 (5.13)	0.72 (6.37)	0.87 (7.70)	0.97 (8.58)	1.12 (9.91)	1.35 (11.9)	1.62 (14.3)	1.80 (15.9)	2.25 (19.9)	2.70 (23.9)	3.02 (26.7)	4.20 (37.2)	5.04 (44.6)	6.30 (55.8)	7.56 (66.9)	8.40 (74.3)	10 (88.5)	12.6 (112)	15.1 (134)	16.8 (149)
		60 Hz	0.29 (2.57)	0.34 (3.01)	0.48 (4.25)	0.58 (5.13)	0.72 (6.37)	0.87 (7.70)	0.97 (8.58)	1.12 (9.91)	1.35 (11.9)	1.62 (14.3)	1.80 (15.9)	2.25 (19.9)	2.70 (23.9)	3.02 (26.7)	4.20 (37.2)	5.04 (44.6)	6.30 (55.8)	7.56 (66.9)	8.40 (74.3)	10 (88.5)	12.6 (112)	15.1 (134)	16.8 (149)
Rotational direction		Same as motor rotational direction										Reverse to motor rotational direction													

Permissible torque at output shaft of gear head using decimal gear head

Unit of permissible torque: upper (N·m) / lower (lb·in)

Applicable gear head Bearing	Decimal gear head	Reduction Ratio	Speed	Reduction Ratio																							
				250	300	360	500	600	750	900	1000	1200	1500	1800	2000												
MZ9G□B (ball bearing) (hinge not attached)	MZ9G10XB	1200 r/min	50 Hz	19.6 (173)	19.6 (173)	19.6 (173)	19.6 (173)	19.6 (173)	19.6 (173)	19.6 (173)	19.6 (173)	19.6 (173)	19.6 (173)	19.6 (173)	19.6 (173)	19.6 (173)	19.6 (173)	19.6 (173)	19.6 (173)	19.6 (173)	19.6 (173)	19.6 (173)	19.6 (173)	19.6 (173)			
			60 Hz	19.6 (173)	19.6 (173)	19.6 (173)	19.6 (173)	19.6 (173)	19.6 (173)	19.6 (173)	19.6 (173)	19.6 (173)	19.6 (173)	19.6 (173)	19.6 (173)	19.6 (173)	19.6 (173)	19.6 (173)	19.6 (173)	19.6 (173)	19.6 (173)	19.6 (173)	19.6 (173)	19.6 (173)	19.6 (173)		
MY9G□B (ball bearing) (hinge attached)	MZ9G10XB	90 r/min	50 Hz	17.7 (157)	19.6 (173)	19.6 (173)	19.6 (173)	19.6 (173)	19.6 (173)	19.6 (173)	19.6 (173)	19.6 (173)	19.6 (173)	19.6 (173)	19.6 (173)	19.6 (173)	19.6 (173)	19.6 (173)	19.6 (173)	19.6 (173)	19.6 (173)	19.6 (173)	19.6 (173)	19.6 (173)			
			60 Hz	17.7 (157)	19.6 (173)	19.6 (173)	19.6 (173)	19.6 (173)	19.6 (173)	19.6 (173)	19.6 (173)	19.6 (173)	19.6 (173)	19.6 (173)	19.6 (173)	19.6 (173)	19.6 (173)	19.6 (173)	19.6 (173)	19.6 (173)	19.6 (173)	19.6 (173)	19.6 (173)	19.6 (173)	19.6 (173)		
Rotational direction		Same as motor rotational direction													Reverse to motor rotational direction												

Speed-torque characteristics



Connection diagram

* For the connection diagram showing wiring with the speed controller, refer to pages C-6 to C-20.

* Working range line

The working range line shows the working limit for the variable speed motor. The permissible torque should fall within the shaded portion. If you use the motor with the permissible torque exceeding the working range line (falling within the portion not shaded), the motor may be burned out due to a high temperature rise or the gear tooth may be damaged.

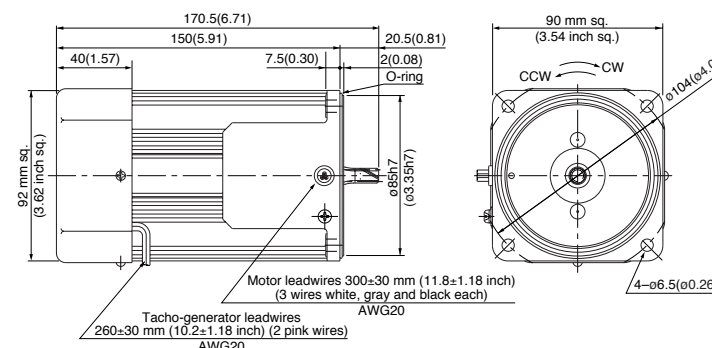
* Please read your User's manual carefully so that you will understand the operation and safety precautions before attempting to operate the system.

Motor (dimensions)

Scale: 1/4, Unit: mm (inch)

M9RZ60GV4L 4P 60 W 100 V (with fan)
M9RZ60GV4Y 4P 60 W 200 V (with fan)

Mass 2.7 kg 5.95 lb
Helical gear
Module 0.6
Number of teeth 9

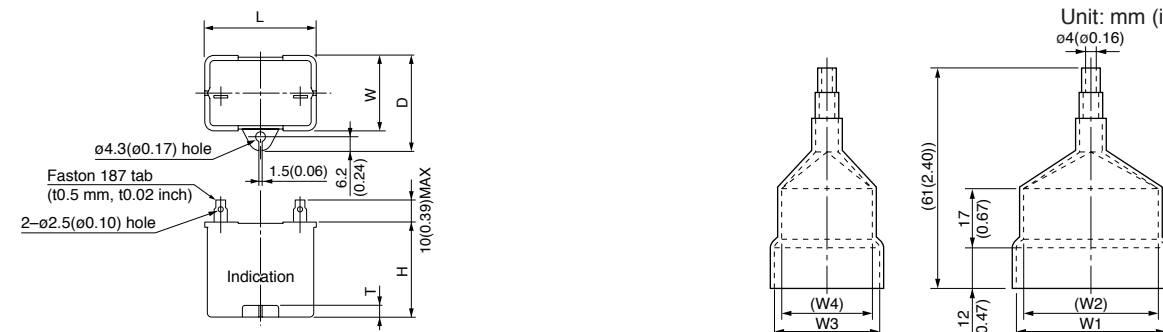


Capacitor (dimensions) [attachment]

Unit: mm (inch)

Capacitor cap (dimensions) [option]

Unit: mm (inch)



Capacitor dimension list Unit: upper (mm) / lower (inch)

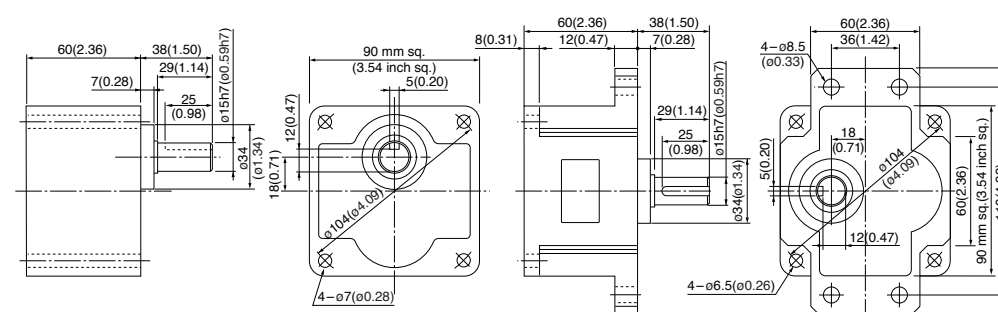
Model number of motor	Model number of capacitor (attachment)	L	W	D	H	T	Capacitor cap (option)	W1	W2	W3	W4
M9RZ60GV4L	M0PC25M20	50.2 (1.98)	31 (1.22)	41 (1.61)	42 (1.65)	5 (0.20)	M0PC5032	50 (1.97)	48 (1.89)	32.5 (1.28)	29.5 (1.16)
M9RZ60GV4Y	M0PC6.2M38	50 (1.97)	30.5 (1.20)	41 (1.61)	41.5 (1.63)	4 (0.16)	M0PC5032	50 (1.97)	48 (1.89)	32.5 (1.28)	29.5 (1.16)

Gear head (dimensions)

Scale: 1/4, Unit: mm (inch)

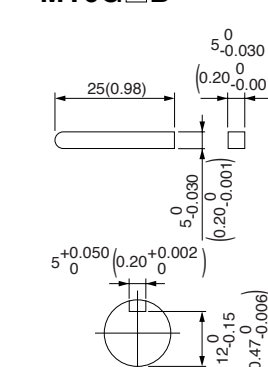
MZ9G□B (ball bearing / hinge not attached)
Mass 1.4 kg (3.09 lb)

MY9G□B (ball bearing / hinge attached)
Mass 1.4 kg (3.09 lb)



Key and keyway (dimensions) [attachment]

MZ9G□B
MY9G□B



Note) MZ / MY is available for a gear head of either type.

(Note) Because the dimensions may be subject to change, also check the determinate dimensions if the gear head is to be used for design.

Specifications

Size	Motor model No.	Number of pole (P)	Output (W)	Voltage (V)	Frequency (Hz)	Rating (min)	Variable speed range		Permissible Torque N·m (oz·in)		Starting current (A)	Starting torque N·m (oz·in)	Capacitor (μF) (rated voltage)
							Speed (r/min)	at 1200 r/min	at 90 r/min				
90 mm sq.	M9RZ60GV4LG M9RZ60GV4LGA	4	60	100	50	30	90 to 1400	0.45 (63.7)	0.14 (19.8)	3.0	0.46 (65.1)	25 (250 V)	
					60		90 to 1700	0.36 (51.0)	0.14 (19.8)	2.8	0.48 (68.0)		
	M9RZ60GV4DG M9RZ60GV4DGA	4	60	110	60	30	90 to 1700	0.36 (51.0)	0.14 (19.8)	3.0	0.43 (60.9)	20 (250 V)	
					60		90 to 1700	0.36 (51.0)	0.14 (19.8)	3.1	0.48 (68.0)		
	M9RZ60GV4YG M9RZ60GV4YGA	4	60	200	50	30	90 to 1400	0.45 (63.7)	0.14 (19.8)	1.3	0.46 (65.1)	6 (450 V)	
					60		90 to 1700	0.36 (51.0)	0.14 (19.8)	1.2	0.48 (68.0)		
	M9RZ60GV4GG M9RZ60GV4GGA	4	60	220	50	30	90 to 1400	0.45 (63.7)	0.14 (19.8)	1.4	0.43 (60.9)	5 (450 V)	
					60		90 to 1700	0.36 (51.0)	0.14 (19.8)	1.3	0.43 (60.9)		
	M9RZ60GV4GG M9RZ60GV4GGA	4	60	230	50	30	90 to 1400	0.45 (63.7)	0.14 (19.8)	1.5	0.48 (68.0)	5 (450 V)	
					60		90 to 1700	0.36 (51.0)	0.14 (19.8)	1.4	0.48 (68.0)		

The specifications and wire connections of the round shaft motor are the same as those of the pinion shaft type. For the dimensional outline drawing, refer to page B-307.

The models with a motor model number to which "A" is suffixed are not equipped with a capacitor cap. The models with a motor model number to which "A" is suffixed are not sold or available in Japan.

Permissible torque at output shaft of gear head

Unit of permissible torque: upper (N·m) / lower (lb·in)

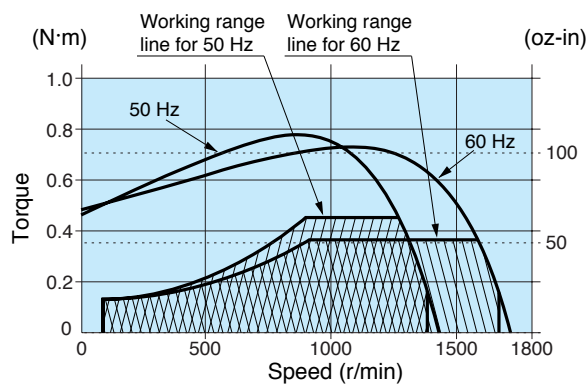
Applicable gear head Bearing	Reduction Ratio	Speed	Permissible Torque																						
			3	3.6	5	6	7.5	9	10	12.5	15	18	20	25	30	36	50	60	75	90	100	120	150	180	200
MZ9G□B (ball bearing / hinge not attached)	1200 r/min	50 Hz	1.09 (9.65)	1.31 (11.6)	1.82 (16.1)	2.19 (19.4)	2.73 (24.2)	3.28 (29.0)	3.65 (32.3)	4.10 (36.3)	4.92 (43.5)	5.90 (52.2)	6.56 (58.1)	8.20 (72.6)	9.84 (87.1)	10.6 (93.8)	14.8 (131)	17.7 (157)	19.6 (173)	19.6 (173)	19.6 (173)	19.6 (173)	19.6 (173)	19.6 (173)	19.6 (173)
		60 Hz	0.87 (7.70)	1.05 (9.29)	1.46 (12.9)	1.75 (15.4)	2.19 (19.4)	2.62 (23.2)	2.92 (25.8)	3.28 (29.0)	3.94 (34.9)	4.72 (41.8)	5.25 (46.5)	6.56 (58.1)	7.87 (69.7)	8.50 (75.2)	11.8 (104)	14.2 (126)	17.7 (157)	19.6 (173)	19.6 (173)	19.6 (173)	19.6 (173)	19.6 (173)	19.6 (173)
MY9G□B (ball bearing / hinge attached)	90 r/min	50 Hz	0.34 (3.01)	0.41 (3.63)	0.57 (5.04)	0.68 (6.02)	0.85 (7.52)	1.02 (9.03)	1.13 (10.0)	1.28 (11.3)	1.53 (13.5)	1.84 (16.3)	2.04 (18.1)	2.55 (22.6)	3.06 (27.1)	3.31 (29.3)	4.59 (40.6)	5.51 (48.8)	6.89 (61.0)	8.27 (73.2)	9.19 (81.3)	11.0 (97.4)	13.8 (122)	16.5 (146)	18.4 (163)
		60 Hz	0.34 (3.01)	0.41 (3.63)	0.57 (5.04)	0.68 (6.02)	0.85 (7.52)	1.02 (9.03)	1.13 (10.0)	1.28 (11.3)	1.53 (13.5)	1.84 (16.3)	2.04 (18.1)	2.55 (22.6)	3.06 (27.1)	3.31 (29.3)	4.59 (40.6)	5.51 (48.8)	6.89 (61.0)	8.27 (73.2)	9.19 (81.3)	11.0 (97.4)	13.8 (122)	16.5 (146)	18.4 (163)
Rotational direction			Same as motor rotational direction										Reverse to motor rotational direction					Same as motor rotational direction							

Permissible torque at output shaft of gear head using decimal gear head

Unit of permissible torque: upper (N·m) / lower (lb·in)

Applicable gear head Bearing	Decimal gear head	Reduction Ratio	Speed	Permissible Torque																				
				250	300	360	500	600	750	900	1000	1200	1500	1800	2000									
MZ9G□B (ball bearing / hinge not attached)	MZ9G10XB	1200 r/min	50 Hz	19.6 (173)	19.6 (173)	19.6 (173)	19.6 (173)	19.6 (173)	19.6 (173)	19.6 (173)	19.6 (173)	19.6 (173)	19.6 (173)	19.6 (173)	19.6 (173)	19.6 (173)	19.6 (173)	19.6 (173)	19.6 (173)	19.6 (173)	19.6 (173)	19.6 (173)	19.6 (173)	19.6 (173)
			60 Hz	19.6 (173)	19.6 (173)	19.6 (173)	19.6 (173)	19.6 (173)	19.6 (173)	19.6 (173)	19.6 (173)	19.6 (173)	19.6 (173)	19.6 (173)	19.6 (173)	19.6 (173)	19.6 (173)	19.6 (173)	19.6 (173)	19.6 (173)	19.6 (173)	19.6 (173)	19.6 (173)	19.6 (173)
MY9G□B (ball bearing / hinge attached)	MZ9G10XB	90 r/min	50 Hz	19.6 (173)	19.6 (173)	19.6 (173)	19.6 (173)	19.6 (173)	19.6 (173)	19.6 (173)	19.6 (173)	19.6 (173)	19.6 (173)	19.6 (173)	19.6 (173)	19.6 (173)	19.6 (173)	19.6 (173)	19.6 (173)	19.6 (173)	19.6 (173)	19.6 (173)	19.6 (173)	19.6 (173)
			60 Hz	19.6 (173)	19.6 (173)	19.6 (173)	19.6 (173)	19.6 (173)	19.6 (173)	19.6 (173)	19.6 (173)	19.6 (173)	19.6 (173)	19.6 (173)	19.6 (173)	19.6 (173)	19.6 (173)	19.6 (173)	19.6 (173)	19.6 (173)	19.6 (173)	19.6 (173)	19.6 (173)	19.6 (173)
Rotational direction			Same as motor rotational direction																					

Speed-torque characteristics



Connection diagram

* For the connection diagram showing wiring with the speed controller, refer to pages C-6 to C-20.

Working range line

The working range line shows the working limit for the variable speed motor. The permissible torque should fall within the shaded portion. If you use the motor with the permissible torque exceeding the working range line (falling within the portion not shaded), the motor may be burned out due to a high temperature rise or the gear tooth may be damaged.

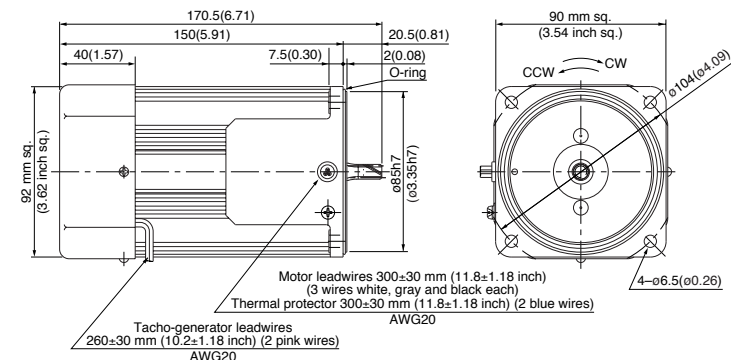
* Please read your User's manual carefully so that you will understand the operation and safety precautions before attempting to operate the system.

Motor (dimensions)

Scale: 1/4, Unit: mm (inch)

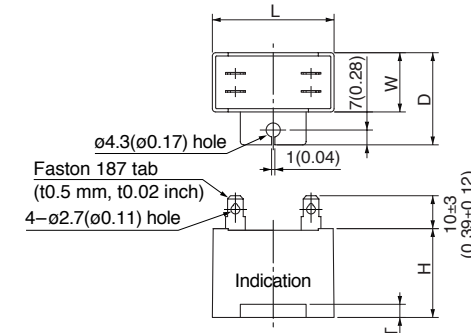
M9RZ60GV4LG(A)	4P 60 W 100 V (with fan)
M9RZ60GV4DG(A)	4P 60 W 110 V / 115 V (with fan)
M9RZ60GV4YG(A)	4P 60 W 200 V (with fan)
M9RZ60GV4GG(A)	4P 60 W 220 V / 230 V (with fan)

Mass	Helical gear	Module	Number of teeth
2.7 kg 5.95 lb		0.6	9



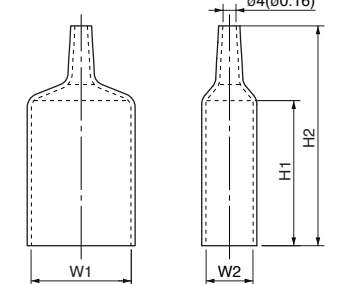
Capacitor (dimensions) [attachment]

Unit: mm (inch)



Capacitor cap (dimensions) [attachment]

Unit: mm (inch)



Capacitor dimension list

Unit: upper (mm) / lower (inch)

Model number of motor	Model number of capacitor (attachment)	L	W	D	H	T	Capacitor cap (attachment)	W1	W2	H1	H2
M9RZ60GV4LG(A)	M0PC25M25G	58 (2.28)	35 (1.38)	50 (1.97)	50 (1.97)	4 (0.16)	M0PC5835G	58 (2.28)	35 (1.38)	55 (2.17)	78 (3.07)
M9RZ60GV4DG(A)	M0PC20M25G	58 (2.28)	29 (1.14)	44 (1.73)	41 (1.61)	4 (0.16)	M0PC5829G	58 (2.28)	29 (1.14)	55 (2.17)	78 (3.07)
M9RZ60GV4YG(A)	M0PC6M45G	58 (2.28)	29 (1.14)	44 (1.73)	41 (1.61)	4 (0.16)	M0PC5829G	58 (2.28)	29 (1.14)	55 (2.17)	78 (3.07)
M9RZ60GV4GG(A)	M0PC5M45G	58 (2.28)	29 (1.14)	44 (1.73)	41 (1.61)	4 (0.16)	M0PC5829G	58 (2.28)	29 (1.14)	55 (2.17)	78 (3.07)

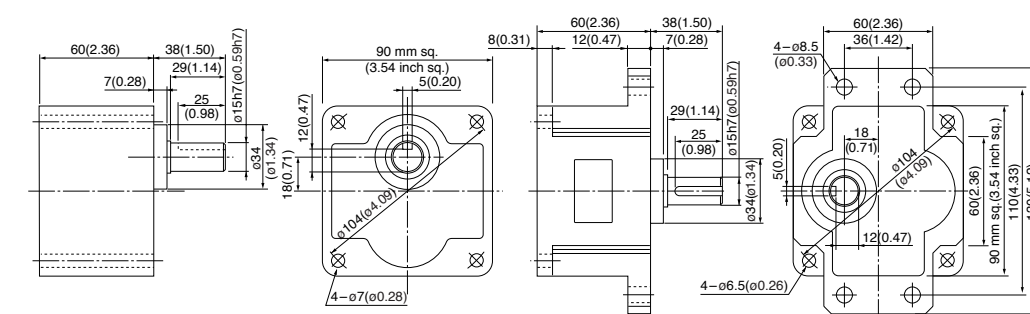
* The models with a motor model number to which "A" is suffixed are not equipped with a capacitor cap.

Gear head (dimensions)

Scale: 1/4, Unit: mm (inch)

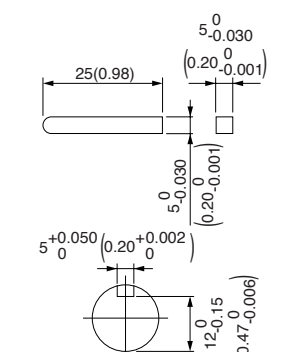
MZ9G□B (ball bearing / hinge not attached)
Mass 1.4 kg (3.09 lb)

MY9G□B (ball bearing / hinge attached)
Mass 1.4 kg (3.09 lb)



Key and keyway (dimensions) [attachment]

MZ9G□B
MY9G□B



Note) MZ / MY is available for a gear head of either type.

(Note) Because the dimensions may be subject to change, also check the determinate dimensions if the gear head is to be used for design.

Variable speed reversible motor (leadwire)

90 mm (3.54 inch) sq. 90 W

Specifications

Size	Motor model No.	Number of pole (P)	Output (W)	Voltage (V)	Frequency (Hz)	Rating (min)	Variable speed range		Permissible Torque N·m (oz·in)		Starting current (A)	Starting torque N·m (oz·in)	Capacitor (μF) (rated voltage)
							Speed (r/min)	at 1200 r/min	at 90 r/min				
90 mm sq.	M9RZ90GV4L	4	90	100	50	30	90 to 1400	0.59 (83.6)	0.25 (35.4)	2.9	0.61 (86.4)	30 (200 V)	
					60		90 to 1700	0.54 (76.5)	0.25 (35.4)	2.9	0.61 (86.4)		
	M9RZ90GV4Y	4	90	200	50	30	90 to 1400	0.59 (83.6)	0.25 (35.4)	1.6	0.59 (83.6)	7.5 (370 V)	
					60		90 to 1700	0.54 (76.5)	0.25 (35.4)	1.5	0.59 (83.6)		

* The specifications and wire connections of the round shaft motor are the same as those of the pinion shaft type. For the dimensional outline drawing, refer to page B-307.

Permissible torque at output shaft of gear head

Unit of permissible torque: upper (N·m) / lower (lb·in)

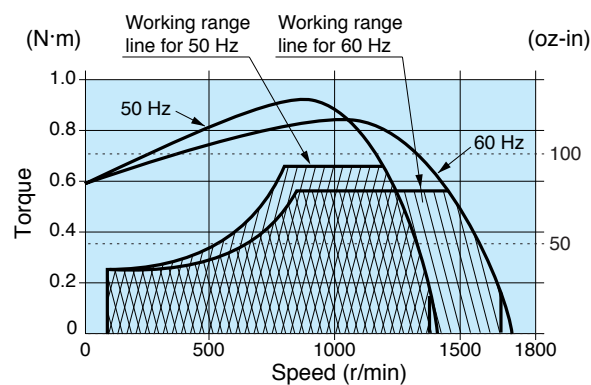
Applicable gear head	Reduction Ratio	Speed	Permissible Torque																						
			3	3.6	5	6	7.5	9	10	12.5	15	18	20	25	30	36	50	60	75	90	100	120	150	180	200
MZ9G□B (ball bearing) (hinge not attached)	1200 r/min	50 Hz	1.43 (12.7)	1.71 (15.1)	2.38 (21.1)	2.86 (25.3)	3.57 (31.6)	4.29 (38.0)	4.77 (42.2)	5.36 (47.4)	6.43 (56.9)	7.72 (68.3)	8.58 (75.9)	10.97 (97.1)	12.8 (113)	13.8 (122)	19.3 (171)	19.6 (173)	19.6 (173)	19.6 (173)	19.6 (173)	19.6 (173)	19.6 (173)	19.6 (173)	19.6 (173)
		60 Hz	1.31 (11.6)	1.57 (13.9)	2.18 (19.3)	2.62 (23.2)	3.27 (28.9)	3.93 (34.8)	4.37 (38.7)	4.91 (43.5)	5.89 (52.1)	7.07 (62.6)	7.86 (69.6)	9.82 (86.9)	11.7 (104)	12.7 (112)	17.6 (156)	19.6 (173)	19.6 (173)	19.6 (173)	19.6 (173)	19.6 (173)	19.6 (173)	19.6 (173)	19.6 (173)
MY9G□B (ball bearing) (hinge attached)	90 r/min	50 Hz	0.60 (5.31)	0.72 (6.37)	1.01 (8.94)	1.21 (10.7)	1.51 (13.4)	1.81 (16.0)	2.02 (17.9)	2.27 (20.1)	2.70 (23.9)	2.89 (25.6)	3.62 (32.0)	4.52 (40.0)	5.43 (48.1)	5.86 (51.9)	8.10 (71.7)	9.72 (86.0)	12.1 (107)	14.5 (128)	16.2 (143)	19.4 (172)	19.6 (173)	19.6 (173)	
		60 Hz	0.60 (5.31)	0.72 (6.37)	1.01 (8.94)	1.21 (10.7)	1.51 (13.4)	1.81 (16.0)	2.02 (17.9)	2.27 (20.1)	2.70 (23.9)	2.89 (25.6)	3.62 (32.0)	4.52 (40.0)	5.43 (48.1)	5.86 (51.9)	8.10 (71.7)	9.72 (86.0)	12.1 (107)	14.5 (128)	16.2 (143)	19.4 (172)	19.6 (173)	19.6 (173)	
Rotational direction		Same as motor rotational direction						Reverse to motor rotational direction						Same as motor rotational direction											

Permissible torque at output shaft of gear head using decimal gear head

Unit of permissible torque: upper (N·m) / lower (lb·in)

Applicable gear head	Reduction Ratio	Speed	Permissible Torque														
			250	300	360	500	600	750	900	1000	1200	1500	1800	2000			
MZ9G□B (ball bearing) (hinge not attached)	1200 r/min	50 Hz	19.6 (173)	19.6 (173)	19.6 (173)	19.6 (173)	19.6 (173)	19.6 (173)	19.6 (173)	19.6 (173)	19.6 (173)	19.6 (173)	19.6 (173)	19.6 (173)	19.6 (173)	19.6 (173)	19.6 (173)
		60 Hz	19.6 (173)	19.6 (173)	19.6 (173)	19.6 (173)	19.6 (173)	19.6 (173)	19.6 (173)	19.6 (173)	19.6 (173)	19.6 (173)	19.6 (173)	19.6 (173)	19.6 (173)	19.6 (173)	19.6 (173)
MY9G□B (ball bearing) (hinge attached)	90 r/min	50 Hz	19.6 (173)	19.6 (173)	19.6 (173)	19.6 (173)	19.6 (173)	19.6 (173)	19.6 (173)	19.6 (173)	19.6 (173)	19.6 (173)	19.6 (173)	19.6 (173)	19.6 (173)	19.6 (173)	19.6 (173)
		60 Hz	19.6 (173)	19.6 (173)	19.6 (173)	19.6 (173)	19.6 (173)	19.6 (173)	19.6 (173)	19.6 (173)	19.6 (173)	19.6 (173)	19.6 (173)	19.6 (173)	19.6 (173)	19.6 (173)	19.6 (173)
Rotational direction		Same as motor rotational direction			Reverse to motor rotational direction												

Speed-torque characteristics



Connection diagram

* For the connection diagram showing wiring with the speed controller, refer to pages C-6 to C-20.

* Working range line

The working range line shows the working limit for the variable speed motor. The permissible torque should fall within the shaded portion. If you use the motor with the permissible torque exceeding the working range line (falling within the portion not shaded), the motor may be burned out due to a high temperature rise or the gear tooth may be damaged.

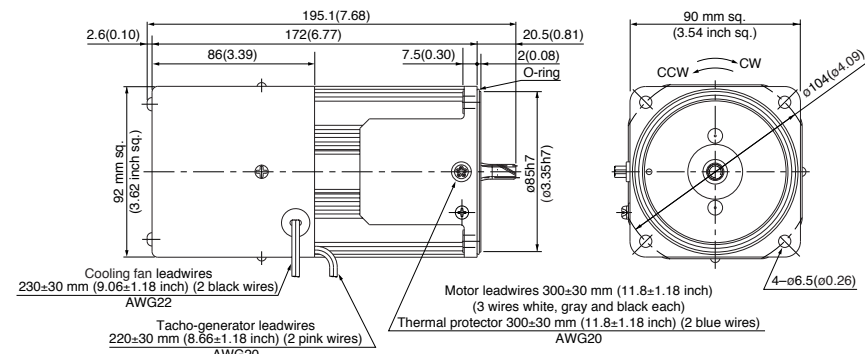
* Please read your User's manual carefully so that you will understand the operation and safety precautions before attempting to operate the system.

Motor (dimensions)

Scale: 1/4, Unit: mm (inch)

M9RZ90GV4L 4P 90 W 100 V (Forced cooling fan)
M9RZ90GV4Y 4P 90 W 200 V (Forced cooling fan)

Mass 3.5 kg (7.72 lb)
Helical gear
Module 0.6
Number of teeth 9

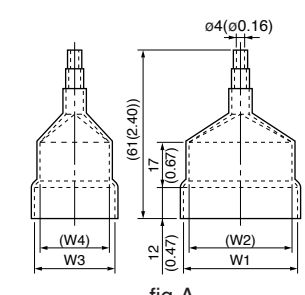
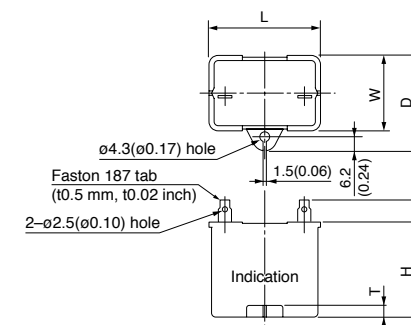


Capacitor (dimensions) [attachment]

Unit: mm (inch)

Capacitor cap (dimensions) [option]

Unit: mm (inch)



Capacitor dimension list Unit: upper (mm) / lower (inch)

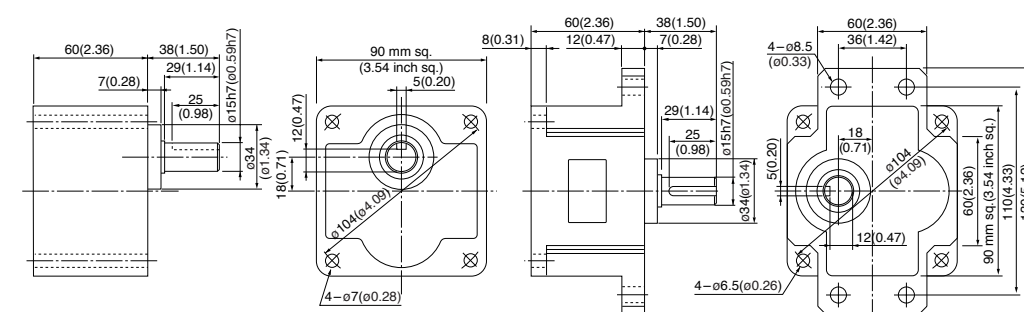
Model number of motor	Model number of capacitor (attachment)	L	W	D	H	T	Capacitor cap (option)	W1	W2	W3	W4	H1	H2	fig.
M9RZ90GV4L	M0PC30M20	50.2 (1.98)	31 (1.22)	41 (1.61)	42 (1.65)	5 (0.20)	M0PC5032	50 (1.97)	48 (1.89)	32.5 (1.28)	29.5 (1.16)	—	—	A
M9RZ90GV4Y	M0PC7.5M37	50 (1.97)	34 (1.34)	45 (1.77)	45 (1.77)	6 (0.24)	M0PC5835G	58 (2.28)	35 (1.38)	—	—	55 (2.17)	78 (3.07)	B

Gear head (dimensions)

Scale: 1/4, Unit: mm (inch)

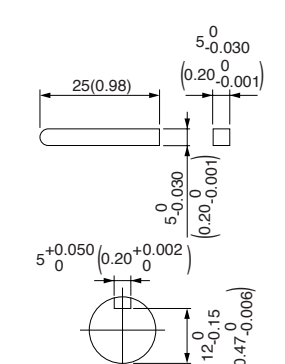
MZ9G□B (ball bearing / hinge not attached)
Mass 1.4 kg (3.09 lb)

MY9G□B (ball bearing / hinge attached)
Mass 1.4 kg (3.09 lb)



Key and keyway (dimensions) [attachment]

MZ9G□B
MY9G□B



Note) MZ / MY is available for a gear head of either type.

(Note) Because the dimensions may be subject to change, also check the determinate dimensions if the gear head is to be used for design.

Specifications

Size	Motor model No.	Number of pole (P)	Output (W)	Voltage (V)	Frequency (Hz)	Rating (min)	Variable speed range		Permissible Torque N·m (oz·in)		Starting current (A)	Starting torque N·m (oz·in)	Capacitor (μF) (rated voltage)
							Speed (r/min)	at 1200 r/min	at 90 r/min				
90 mm sq.	M9RZ90GV4LG(A) M9RZ90GV4LGA	4	90	100	50	30	90 to 1400	0.69 (97.7)	0.39 (55.2)	3.0	0.66 (93.5)	32 (250 V)	
					60		90 to 1700	0.55 (77.9)	0.39 (55.2)	2.9	0.66 (93.5)		
	M9RZ90GV4DG(A) M9RZ90GV4DGA	4	90	110	60	30	90 to 1700	0.55 (77.9)	0.39 (55.2)	3.1	0.66 (93.5)	28 (250 V)	
					60		90 to 1700	0.55 (77.9)	0.39 (55.2)	3.2	0.72 (102)		
	M9RZ90GV4YG(A) M9RZ90GV4YGA	4	90	200	50	30	90 to 1400	0.69 (97.7)	0.39 (55.2)	1.4	0.66 (93.5)	8 (450 V)	
					60		90 to 1700	0.55 (77.9)	0.39 (55.2)	1.4	0.66 (93.5)		
	M9RZ90GV4GG(A) M9RZ90GV4GGA	4	90	220	50	30	90 to 1400	0.69 (97.7)	0.39 (55.2)	1.5	0.66 (93.5)	7 (450 V)	
					60		90 to 1700	0.55 (77.9)	0.39 (55.2)	1.4	0.66 (93.5)		
	M9RZ90GV4GG(A) M9RZ90GV4GGA	4	90	230	50	30	90 to 1400	0.69 (97.7)	0.39 (55.2)	1.6	0.72 (102)	7 (450 V)	
					60		90 to 1700	0.55 (77.9)	0.39 (55.2)	1.5	0.72 (102)		

• The specifications and wire connections of the round shaft motor are the same as those of the pinion shaft type. For the dimensional outline drawing, refer to page B-307.
 • The models with a motor model number to which "A" is suffixed are not equipped with a capacitor cap.
 • The models with a motor model number to which "A" is suffixed are not sold or available in Japan.

Permissible torque at output shaft of gear head

Unit of permissible torque: upper (N·m) / lower (lb·in)

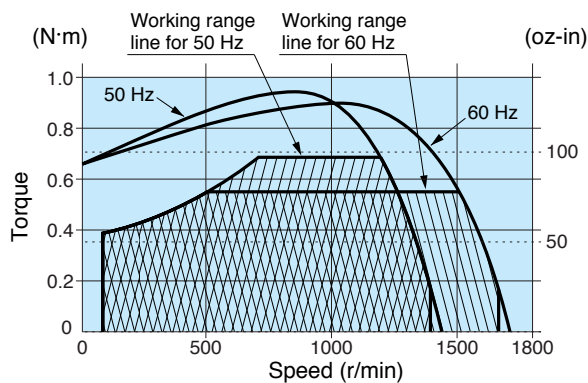
Applicable gear head	Reduction Ratio	Speed																							
		3	3.6	5	6	7.5	9	10	12.5	15	18	20	25	30	36	50	60	75	90	100	120	150	180	200	
MZ9G□B (ball bearing / hinge not attached)	1200 r/min	50 Hz	1.68 (14.9)	2.01 (17.8)	2.79 (24.7)	3.35 (29.7)	4.19 (37.1)	5.03 (44.5)	5.59 (49.5)	6.29 (55.7)	7.55 (66.8)	9.05 (80.1)	10.1 (89.4)	12.6 (112)	15.1 (134)	16.3 (144)	19.6 (173)	19.6 (173)	19.6 (173)	19.6 (173)	19.6 (173)	19.6 (173)	19.6 (173)	19.6 (173)	19.6 (173)
		60 Hz	1.34 (11.9)	1.60 (14.2)	2.23 (19.7)	2.67 (23.6)	3.34 (29.6)	4.01 (35.5)	4.46 (39.5)	5.01 (44.3)	6.01 (53.2)	7.22 (63.9)	8.02 (71.0)	10.0 (88.5)	12.0 (106)	13.0 (115)	18.0 (159)	19.6 (173)	19.6 (173)	19.6 (173)	19.6 (173)	19.6 (173)	19.6 (173)	19.6 (173)	19.6 (173)
MY9G□B (ball bearing / hinge attached)	90 r/min	50 Hz	0.95 (8.41)	1.14 (10.1)	1.58 (14.0)	1.90 (16.8)	2.37 (21.0)	2.84 (25.1)	3.16 (28.0)	3.55 (31.4)	4.26 (37.7)	5.12 (45.3)	5.69 (50.4)	7.11 (62.9)	8.53 (75.5)	9.21 (81.5)	12.8 (113)	15.4 (136)	19.2 (170)	19.6 (173)	19.6 (173)	19.6 (173)	19.6 (173)	19.6 (173)	
		60 Hz	0.95 (8.41)	1.14 (10.1)	1.58 (14.0)	1.90 (16.8)	2.37 (21.0)	2.84 (25.1)	3.16 (28.0)	3.55 (31.4)	4.26 (37.7)	5.12 (45.3)	5.69 (50.4)	7.11 (62.9)	8.53 (75.5)	9.21 (81.5)	12.8 (113)	15.4 (136)	19.2 (170)	19.6 (173)	19.6 (173)	19.6 (173)	19.6 (173)	19.6 (173)	
Rotational direction		Same as motor rotational direction										Reverse to motor rotational direction													

Permissible torque at output shaft of gear head using decimal gear head

Unit of permissible torque: upper (N·m) / lower (lb·in)

Applicable gear head	Reduction Ratio	Speed												
		250	300	360	500	600	750	900	1000	1200	1500	1800	2000	
MZ9G□B (ball bearing / hinge not attached)	1200 r/min	50 Hz	19.6 (173)	19.6 (173)	19.6 (173)	19.6 (173)	19.6 (173)	19.6 (173)	19.6 (173)	19.6 (173)	19.6 (173)	19.6 (173)	19.6 (173)	19.6 (173)
		60 Hz	19.6 (173)	19.6 (173)	19.6 (173)	19.6 (173)	19.6 (173)	19.6 (173)	19.6 (173)	19.6 (173)	19.6 (173)	19.6 (173)	19.6 (173)	19.6 (173)
MY9G□B (ball bearing / hinge attached)	90 r/min	50 Hz	19.6 (173)	19.6 (173)	19.6 (173)	19.6 (173)	19.6 (173)	19.6 (173)	19.6 (173)	19.6 (173)	19.6 (173)	19.6 (173)	19.6 (173)	
		60 Hz	19.6 (173)	19.6 (173)	19.6 (173)	19.6 (173)	19.6 (173)	19.6 (173)	19.6 (173)	19.6 (173)	19.6 (173)	19.6 (173)	19.6 (173)	
Rotational direction		Same as motor rotational direction												

Speed-torque characteristics



Connection diagram

* For the connection diagram showing wiring with the speed controller, refer to pages C-6 to C-20.

* Working range line

The working range line shows the working limit for the variable speed motor. The permissible torque should fall within the shaded portion. If you use the motor with the permissible torque exceeding the working range line (falling within the portion not shaded), the motor may be burned out due to a high temperature rise or the gear tooth may be damaged.

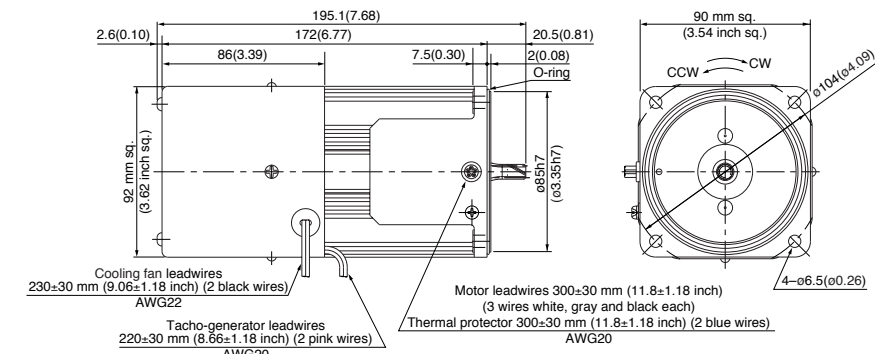
* Please read your User's manual carefully so that you will understand the operation and safety precautions before attempting to operate the system.

Motor (dimensions)

Scale: 1/4, Unit: mm (inch)

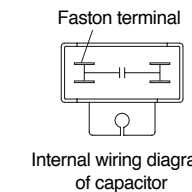
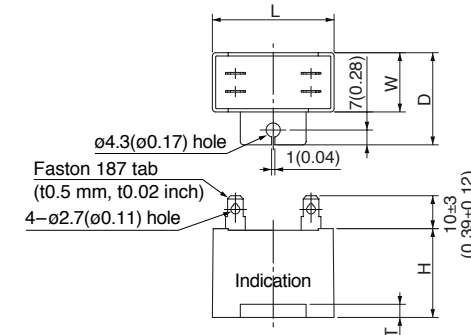
M9RZ90GV4LG(A)	4P 90 W 100 V (Forced cooling fan)
M9RZ90GV4DG(A)	4P 90 W 110 V / 115 V (Forced cooling fan)
M9RZ90GV4YG(A)	4P 90 W 200 V (Forced cooling fan)
M9RZ90GV4GG(A)	4P 90 W 220 V / 230 V (Forced cooling fan)

Mass	Helical gear	Module	Number of teeth
3.5 kg 7.72 lb		0.6	9



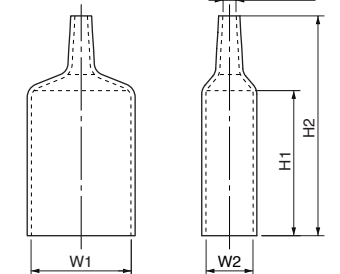
Capacitor (dimensions) [attachment]

Unit: mm (inch)



Capacitor cap (dimensions) [attachment]

Unit: mm (inch)



Capacitor dimension list

Unit: upper (mm) / lower (inch)

Model number of motor	Model number of capacitor (attachment)	L	W	D	H	T	Capacitor cap (attachment)	W1	W2	H1	H2
M9RZ90GV4LG(A)	M0PC32M25G	58 (2.28)	35 (1.38)	50 (1.97)	50 (1.97)	4 (0.16)	M0PC5835G	58 (2.28)	35 (1.38)	55 (2.17)	78 (3.07)
M9RZ90GV4DG(A)	M0PC28M25G	58 (2.28)	35 (1.38)	50 (1.97)	50 (1.97)	4 (0.16)	M0PC5835G	58 (2.28)	35 (1.38)	55 (2.17)	78 (3.07)
M9RZ90GV4YG(A)	M0PC8M45G	58 (2.28)	35 (1.38)	50 (1.97)	50 (1.97)	4 (0.16)	M0PC5835G	58 (2.28)	35 (1.38)	55 (2.17)	78 (3.07)
M9RZ90GV4GG(A)	M0PC7M45G	58 (2.28)	35 (1.38)	50 (1.97)	50 (1.97)	4 (0.16)	M0PC5835G	58 (2.28)	35 (1.38)	55 (2.17)	78 (3.07)

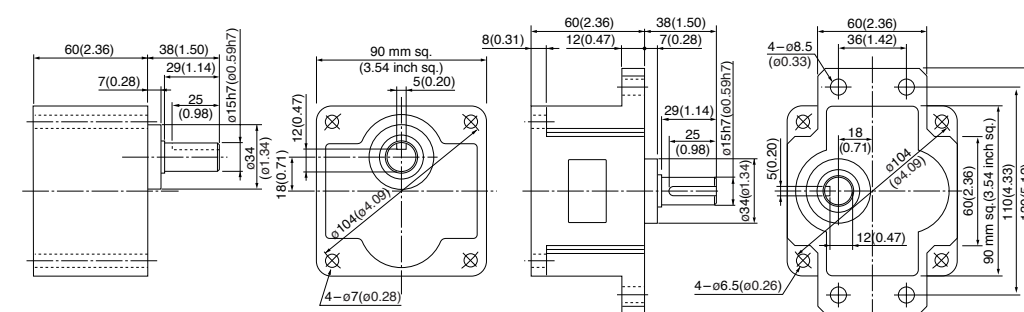
* The models with a motor model number to which "A" is suffixed are not equipped with a capacitor cap.

Gear head (dimensions)

Scale: 1/4, Unit: mm (inch)

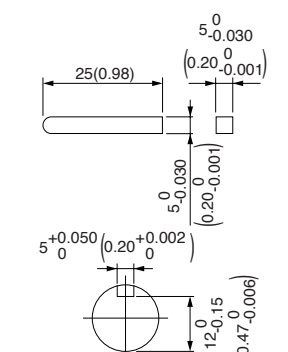
MZ9G□B (ball bearing / hinge not attached)
Mass 1.4 kg (3.09 lb)

MY9G□B (ball bearing / hinge attached)
Mass 1.4 kg (3.09 lb)



Key and keyway (dimensions) [attachment]

MZ9G□B
MY9G□B



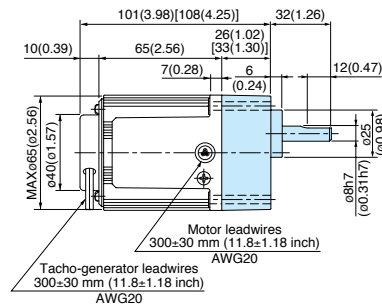
Note) MZ / MY is available for a gear head of either type.

(Note) Because the dimensions may be subject to change, also check the determinate dimensions if the gear head is to be used for design.

* Gear head is sold separately.

60 mm sq. (2.36 inch sq.) 4 W

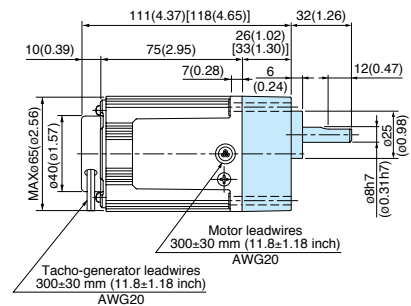
M6RX4GV4L + MX6G□BA(MA) / MX6G□B(M)



* Figures in [] represent the dimensions of MX6G□B (M) (1/30 or larger reduction ratio).
The model number of the gear head with a reduction ratio of 1/25 or smaller is MX6G□BA (MA).

60 mm sq. (2.36 inch sq.) 6 W

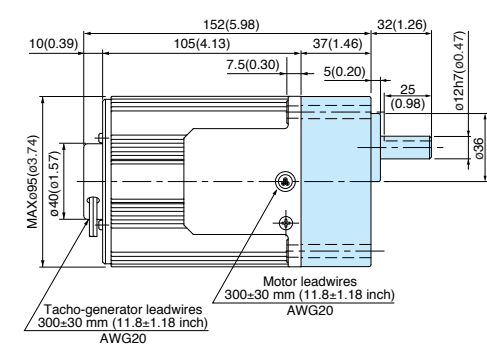
M6RX6GV4L + MX6G□BA(MA) / MX6G□B(M)
M6RX6GV4Y + MX6G□BA(MA) / MX6G□B(M)
M6RX6GV4LG(A) + MX6G□BA(MA) / MX6G□B(M)
M6RX6GV4DG(A) + MX6G□BA(MA) / MX6G□B(M)
M6RX6GV4YG(A) + MX6G□BA(MA) / MX6G□B(M)
M6RX6GV4GG(A) + MX6G□BA(MA) / MX6G□B(M)



* Figures in [] represent the dimensions of MX6G□B (M) (1/30 or larger reduction ratio).
The model number of the gear head with a reduction ratio of 1/25 or smaller is MX6G□BA (MA).

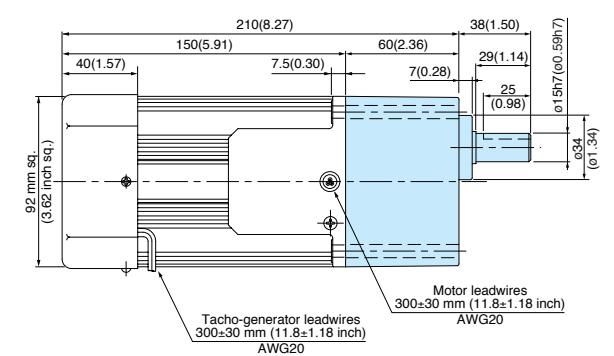
90 mm sq. (3.54 inch sq.) 40 W

M9RX40GV4L + MX9G□B(M)
M9RX40GV4Y + MX9G□B(M)
M9RX40GV4LG(A) + MX9G□B(M)
M9RX40GV4DG(A) + MX9G□B(M)
M9RX40GV4YG(A) + MX9G□B(M)
M9RX40GV4GG(A) + MX9G□B(M)



90 mm sq. (3.54 inch sq.) 60 W

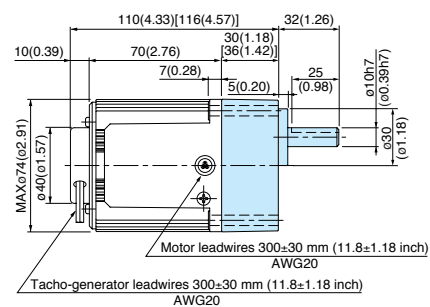
M9RZ60GV4L + MZ9G□B (MY9G□B)
M9RZ60GV4Y + MZ9G□B (MY9G□B)
M9RZ60GV4LG(A) + MZ9G□B (MY9G□B)
M9RZ60GV4DG(A) + MZ9G□B (MY9G□B)
M9RZ60GV4YG(A) + MZ9G□B (MY9G□B)
M9RZ60GV4GG(A) + MZ9G□B (MY9G□B)



* Refer to page B-444 for high torque gear head.

70 mm sq. (2.76 inch sq.) 10 W

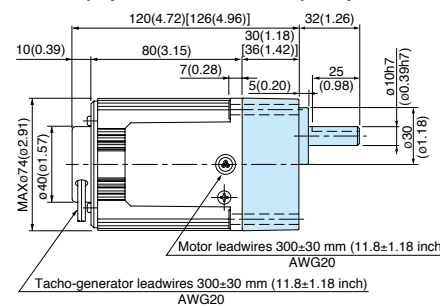
M7RX10GV4L + MX7G□BA(MA) / MX7G□B(M)
M7RX10GV4Y + MX7G□BA(MA) / MX7G□B(M)



* Figures in [] represent the dimensions of MX6G□B (M) (1/30 or larger reduction ratio).
The model number of the gear head with a reduction ratio of 1/25 or smaller is MX7G□BA (MA).

70 mm sq. (2.76 inch sq.) 15 W

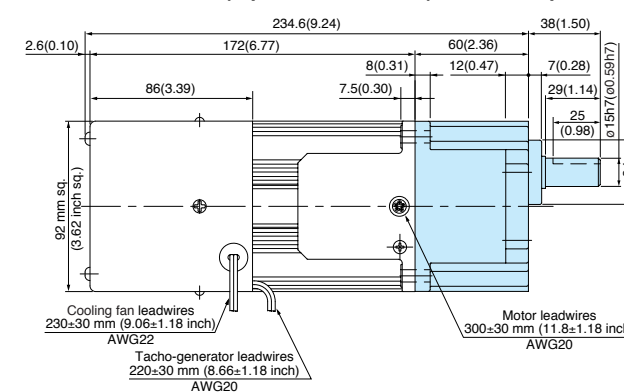
M7RX15GV4L + MX7G□BA(MA) / MX7G□B(M)
M7RX15GV4Y + MX7G□BA(MA) / MX7G□B(M)
M7RX15GV4LG(A) + MX7G□BA(MA) / MX7G□B(M)
M7RX15GV4DG(A) + MX7G□BA(MA) / MX7G□B(M)
M7RX15GV4YG(A) + MX7G□BA(MA) / MX7G□B(M)
M7RX15GV4GG(A) + MX7G□BA(MA) / MX7G□B(M)



* Figures in [] represent the dimensions of MX6G□B (M) (1/30 or larger reduction ratio).
The model number of the gear head with a reduction ratio of 1/25 or smaller is MX7G□BA (MA).

90 mm sq. (3.54 inch sq.) 90 W

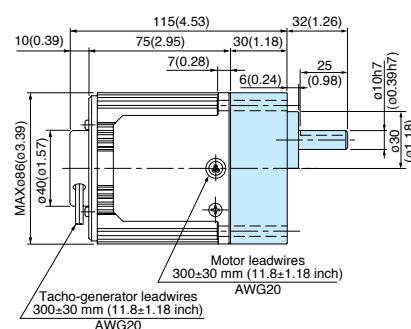
M9RZ90GV4L + MY9G□B (MZ9G□B)
M9RZ90GV4Y + MY9G□B (MZ9G□B)
M9RZ90GV4LG(A) + MY9G□B (MZ9G□B)
M9RZ90GV4DG(A) + MY9G□B (MZ9G□B)
M9RZ90GV4YG(A) + MY9G□B (MZ9G□B)
M9RZ90GV4GG(A) + MY9G□B (MZ9G□B)



* Refer to page B-444 for high torque gear head.

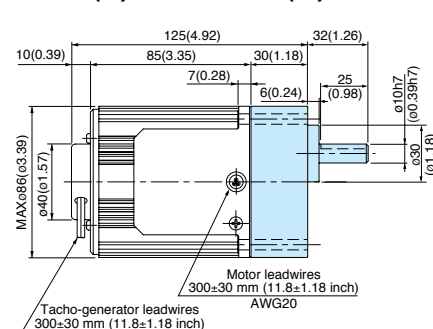
80 mm sq. (3.15 inch sq.) 20 W

M8RX20GV4L + MX8G□B(M)
M8RX20GV4Y + MX8G□B(M)



80 mm sq. (3.15 inch sq.) 25 W

M8RX25GV4L + MX8G□B(M)
M8RX25GV4Y + MX8G□B(M)
M8RX25GV4LG(A) + MX8G□B(M)
M8RX25GV4DG(A) + MX8G□B(M)
M8RX25GV4YG(A) + MX8G□B(M)
M8RX25GV4GG(A) + MX8G□B(M)



* Please read your User's manual carefully so that you will understand the operation and safety precautions before attempting to operate the system.

* The models with a motor model number to which "A" is suffixed are not equipped with a capacitor cap.
* The models with a motor model number to which "A" is suffixed are not sold or available in Japan.

(Note) Because the dimensions may be subject to change, also check the determinate dimensions if the gear head is to be used for design.

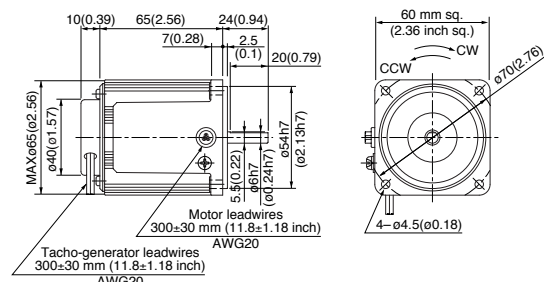
Induction motor
Reversible motor
3-phase motor
Electromagnetic brake motor
Variable speed induction motor
Variable speed reversible motor
Variable speed electro-magnetic brake single-phase motor
Variable speed unit motor
C&B motor
2-pole round shaft motor
Gear head
Gear head (U.S.A.)

Variable speed reversible motor (4-pole round shaft / leadwire)

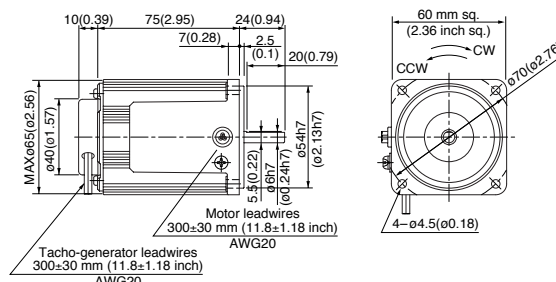
Dimensions

Scale: 1/4, Unit: mm (inch)

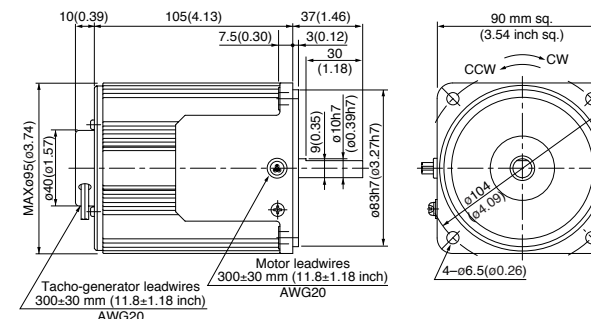
60 mm sq. (2.36 inch sq.) 4 W Mass 0.6 kg (1.32 lb)
M6RX4SV4LS



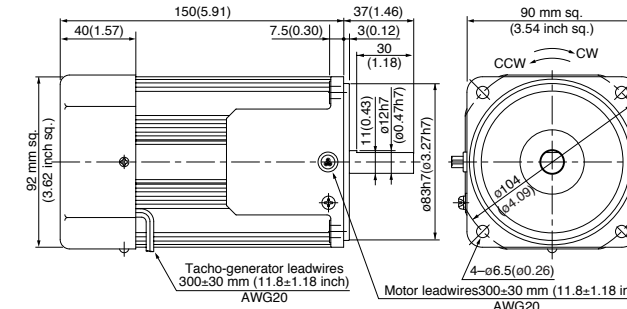
60 mm sq. (2.36 inch sq.) 6 W Mass 0.71 kg (1.57 lb)
M6RX6SV4LS
M6RX6SV4YS
M6RX6SV4LG(A)
M6RX6SV4YG(A)
M6RX6SV4DG(A)
M6RX6SV4GG(A)



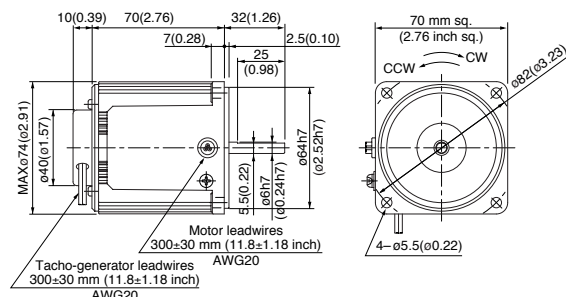
90 mm sq. (3.54 inch sq.) 40 W Mass 2.4 kg (5.29 lb)
M9RX40SV4LS
M9RX40SV4YS
M9RX40SV4LG(A)
M9RX40SV4YG(A)
M9RX40SV4DG(A)
M9RX40SV4GG(A)



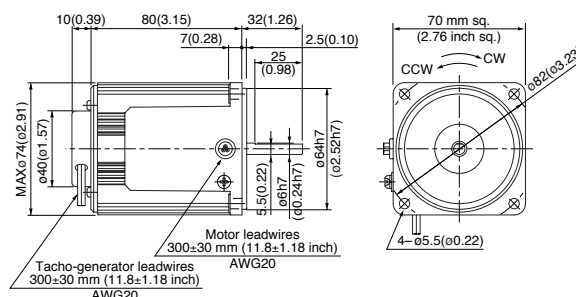
90 mm sq. (3.54 inch sq.) 60 W Mass 2.7 kg (5.95 lb)
M9RZ60SV4LS (with fan)
M9RZ60SV4YS (with fan)
M9RZ60SV4LG(A) (with fan)
M9RZ60SV4DG(A) (with fan)
M9RZ60SV4YG(A) (with fan)
M9RZ60SV4GG(A) (with fan)



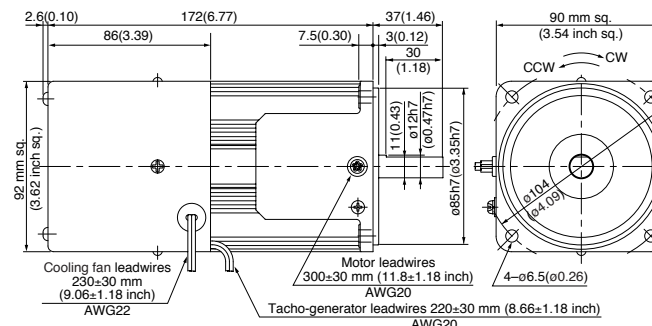
70 mm sq. (2.76 inch sq.) 10 W Mass 0.88 kg (1.94 lb)
M7RX10SV4LS
M7RX10SV4YS



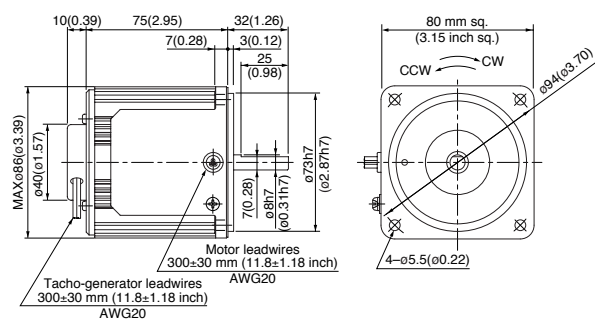
70 mm sq. (2.76 inch sq.) 15 W Mass 1.1 kg (2.43 lb)
M7RX15SV4LS
M7RX15SV4YS
M7RX15SV4LG(A)
M7RX15SV4YG(A)
M7RX15SV4DG(A)
M7RX15SV4GG(A)



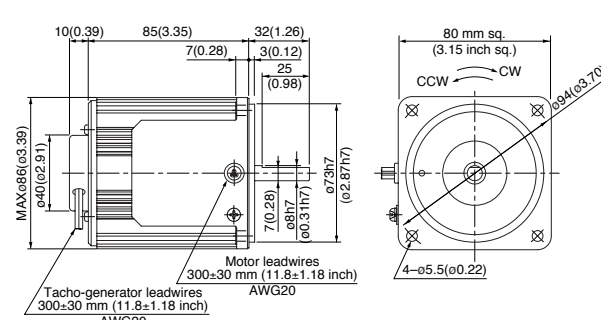
90 mm sq. (3.54 inch sq.) 90 W Mass 3.5 kg (7.72 lb)
M9RZ90SV4LS (Forced cooling fan)
M9RZ90SV4YS (Forced cooling fan)
M9RZ90SV4LG(A) (Forced cooling fan)
M9RZ90SV4DG(A) (Forced cooling fan)
M9RZ90SV4YG(A) (Forced cooling fan)
M9RZ90SV4GG(A) (Forced cooling fan)



80 mm sq. (3.15 inch sq.) 20 W Mass 1.2 kg (2.65 lb)
M8RX20SV4LS
M8RX20SV4YS



80 mm sq. (3.15 inch sq.) 25 W Mass 1.5 kg (3.31 lb)
M8RX25SV4LS
M8RX25SV4YS
M8RX25SV4LG(A)
M8RX25SV4YG(A)
M8RX25SV4DG(A)
M8RX25SV4GG(A)



* Please refer to the pinion shaft motor for wiring and specifications of the motor.

* Please refer to the pinion shaft motor for wiring and specifications of the motor.

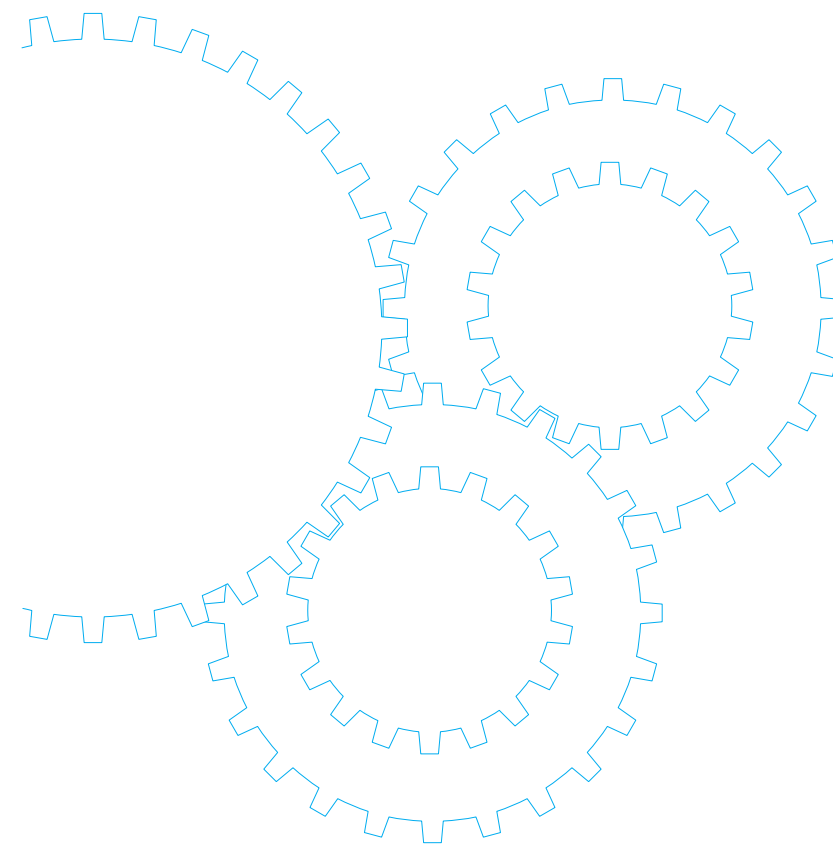
* The models with a motor model number to which "A" is suffixed are not equipped with a capacitor cap.
 * The models with a motor model number to which "A" is suffixed are not sold or available in Japan.

(Note) Because the dimensions may be subject to change, also check the determinate dimensions if the gear head is to be used for design.

* Please read your User's manual carefully so that you will understand the operation and safety precautions before attempting to operate the system.

Induction motor
 Reversible motor
 3-phase motor
 Electro magnetic brake motor
 Variable speed induction motor
 Variable speed reversible motor
 Variable speed electro magnetic brake single-phase motor
 Variable speed unit motor
 C&B motor
 2-pole round shaft motor
 Gear head
 Gear head -inch (U.S.A.)

Variable Speed Electromagnetic Brake Single-phase Motor



Contents

• Motor Overview	B-310
• Model list	B-312
• Product information for each model	B-314
• Gear head combination dimensions	B-322

Outline of Variable speed electromagnetic brake single-phase motor

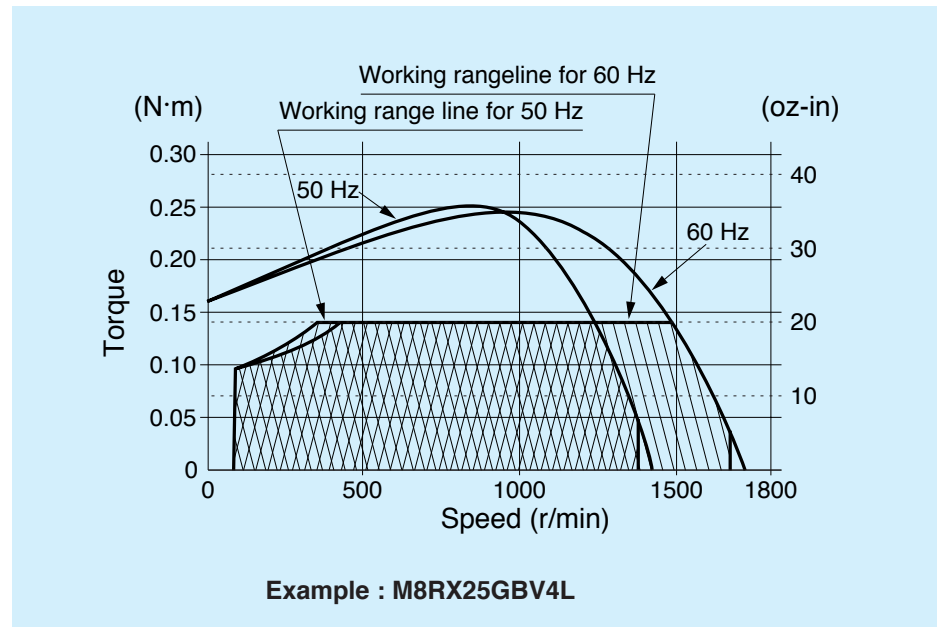
Features

- It is an electromagnetic brake variable speed motor. <Single-phase motor>
- By using it together with a speed controller, you can vary the speed over a wider range (90 r/min to 1400 r/min for 50 Hz and 90 r/min to 1700 r/min for 60 Hz).
- Various functions such as variable speed, braking, normal/reverse run and soft-start/soft-down stop are available by using it together with a speed controller.
- Feedback control with the built-in tachometer generator gives a constant speed despite of frequency change.
- The motor output is 6 W to 40 W.
- * For the method of using the electromagnetic brake, refer to the electromagnetic brake motor (page B-168).

Working range

- * The working range of the electromagnetic brake variable speed motor is shown in the figure below. (The time rating is 30 minutes.)
The permissible torque should fall within the shaded portion. If you use the motor with the permissible torque exceeding the working range line (falling within the portion not shaded), the motor may be burned out due to a high temperature rise or the gear tooth may be damaged.

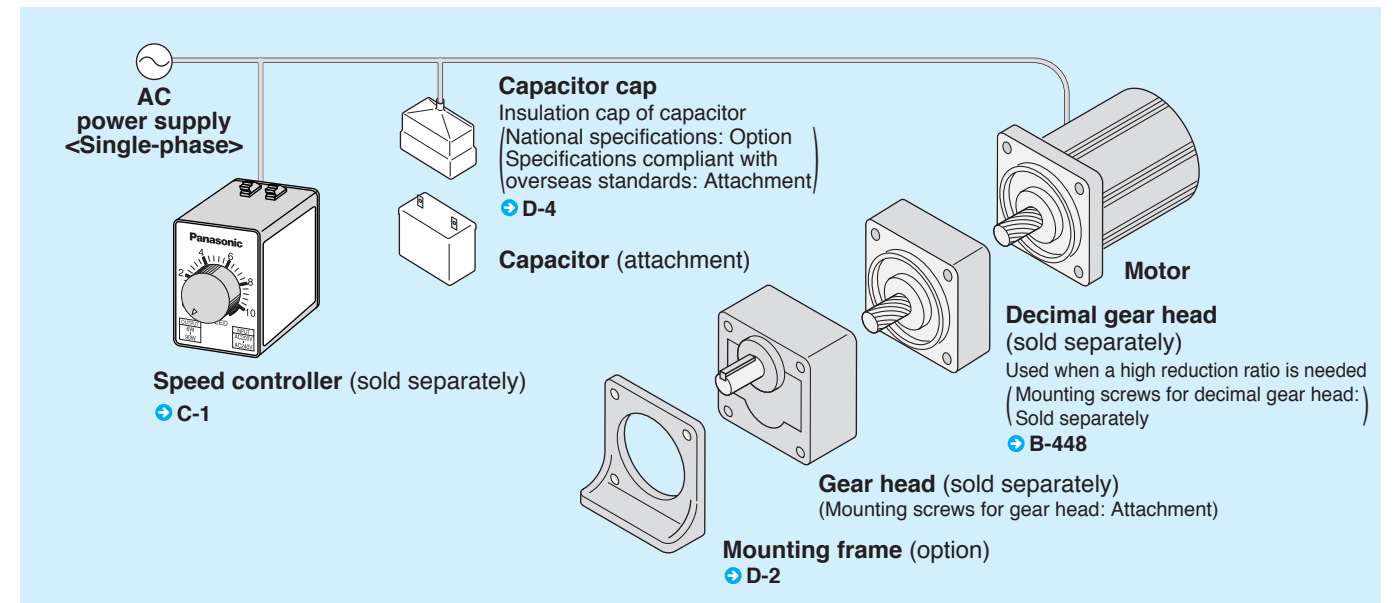
Working range line



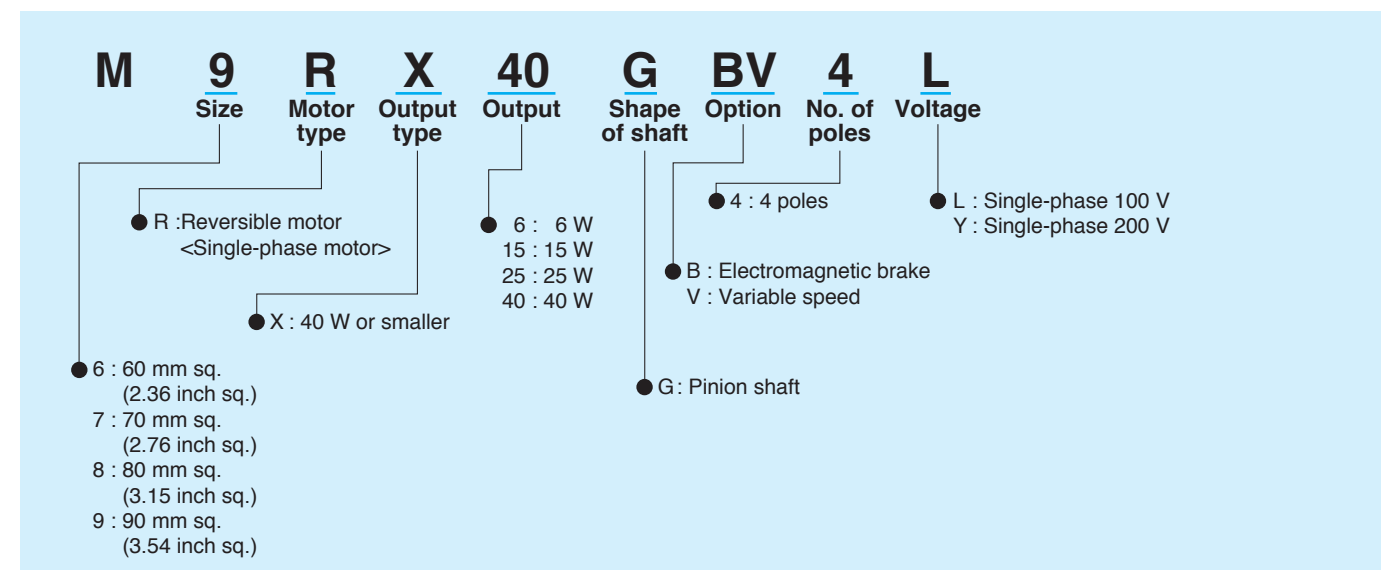
Others

For the principle of operation etc., refer to page B-226.

System configuration diagram



Coding system



Fit tolerance

Fit tolerance symbol is used in the outside dimension diagram of motor and gear head. For further information, see "Fit tolerance" on page A-33.

Model list of Variable speed electromagnetic brake single-phase motor

Pinion shaft motor

Applicable gear head

Possible combination of speed controller and motor

Size	Output (W)	Leadwire type		
		Model number	Specifications	Page
60 mm sq. (2.36 inch sq.)	6	M6RX6GBV4L	100 V	B-314
		M6RX6GBV4Y	200 V	B-314
70 mm sq. (2.76 inch sq.)	15	M7RX15GBV4L	100 V	B-316
		M7RX15GBV4Y	200 V	B-316
80 mm sq. (3.15 inch sq.)	25	M8RX25GBV4L	100 V	B-318
		M8RX25GBV4Y	200 V	B-318
90 mm sq. (3.54 inch sq.)	40	M9RX40GBV4L	100 V	B-320
		M9RX40GBV4Y	200 V	B-320

Standard gear head		Decimal gear head
Ball bearing	metal bearing	
MX6G□BA MX6G□B	MX6G□MA MX6G□M	MX6G10XB
MX7G□BA MX7G□B	MX7G□MA MX7G□M	MX7G10XB
MX8G□B	MX8G□M	MX8G10XB
MX9G□B	MX9G□M	MX9G10XB

* Refer to page B-384 for dimensions of decimal gear head.

Size	Output (W)	Motor		Voltage (V)	Speed controller	
		Certified	Part No.		MGSD type	EX type
60 mm sq. (2.36 inch sq.)	6	-----	M6RX6GBV4L	100	MGSDA1	DV1131
		-----	M6RX6GBV4Y	200	MGSDB2	DV1231
70 mm sq. (2.76 inch sq.)	15	-----	M7RX15GBV4L	100	MGSDA1	DV1132
		-----	M7RX15GBV4Y	200	MGSDB2	DV1231
80 mm sq. (3.15 inch sq.)	25	-----	M8RX25GBV4L	100	MGSDA1	DV1132
		-----	M8RX25GBV4Y	200	MGSDB2	DV1234
90 mm sq. (3.54 inch sq.)	40	-----	M9RX40GBV4L	100	MGSDA1	DV1132
		-----	M9RX40GBV4Y	200	MGSDB2	DV1234

* When using a speed controller operative under a wide range of supply voltage (MGSD), the mating motor should be selected according to the voltage of the power supply to be used.

Specifications

Size	Motor model No.	Number of pole (P)	Output (W)	Voltage (V)	Frequency (Hz)	Rating (min)	Variable speed range		Permissible Torque N·m (oz-in)		Starting current (A)	Starting torque N·m (oz-in)	Brake Input (W)	Brake Current (A)	Brake Friction Torque N·m (oz-in)	Capacitor (μF) (rated voltage)
							Speed (r/min)	at 1200 r/min	at 90 r/min	at 1200 r/min						
60 mm sq.	M6RX6GBV4L	4	6	100	50	30	90 to 1400	0.030 (4.25)	0.030 (4.25)	0.31	0.038 (5.38)	4	0.04	0.049 (6.94)	3 (200 V)	
							90 to 1700	0.030 (4.25)	0.030 (4.25)	0.31	0.038 (5.38)	4	0.04	0.049 (6.94)		
	M6RX6GBV4Y	4	6	200	50	30	90 to 1400	0.030 (4.25)	0.030 (4.25)	0.16	0.038 (5.38)	4	0.02	0.049 (6.94)	0.8 (400 V)	
							90 to 1700	0.030 (4.25)	0.030 (4.25)	0.16	0.038 (5.38)	4	0.02	0.049 (6.94)		

Permissible torque at output shaft of gear head

Unit of permissible torque: upper (N·m) / lower (lb-in)

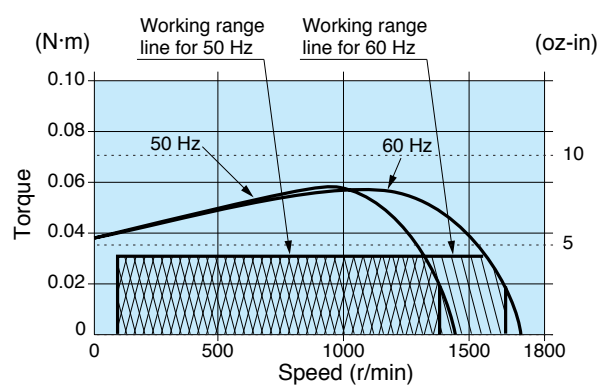
Applicable gear head Bearing	Reduction Ratio	Speed	Speed																																	
			3	3.6	5	6	7.5	9	10	12.5	15	18	20	25	30	36	50	60	75	90	100	120	150	180												
MX6G□BA (ball bearing)	1200 r/min	50 Hz	0.072 (0.64)	0.087 (0.77)	0.12 (1.06)	0.14 (1.24)	0.18 (1.59)	0.21 (1.86)	0.24 (2.12)	0.29 (2.57)	0.36 (3.19)	0.43 (3.81)	0.48 (4.25)	0.60 (5.31)	0.65 (5.75)	0.78 (6.90)	1.09 (9.65)	1.30 (11.5)	1.63 (14.4)	1.98 (17.5)	2.18 (19.3)	2.45 (21.7)	2.45 (21.7)													
		60 Hz	0.072 (0.64)	0.087 (0.77)	0.12 (1.06)	0.14 (1.24)	0.18 (1.59)	0.21 (1.86)	0.24 (2.12)	0.29 (2.57)	0.36 (3.19)	0.43 (3.81)	0.48 (4.25)	0.60 (5.31)	0.65 (5.75)	0.78 (6.90)	1.09 (9.65)	1.30 (11.5)	1.63 (14.4)	1.98 (17.5)	2.18 (19.3)	2.45 (21.7)	2.45 (21.7)													
MX6G□B (ball bearing)	90 r/min	50 Hz	0.072 (0.64)	0.087 (0.77)	0.12 (1.06)	0.14 (1.24)	0.18 (1.59)	0.21 (1.86)	0.24 (2.12)	0.29 (2.57)	0.36 (3.19)	0.43 (3.81)	0.48 (4.25)	0.60 (5.31)	0.65 (5.75)	0.78 (6.90)	1.09 (9.65)	1.30 (11.5)	1.63 (14.4)	1.98 (17.5)	2.18 (19.3)	2.45 (21.7)	2.45 (21.7)													
MX6G□MA (metal bearing)		60 Hz	0.072 (0.64)	0.087 (0.77)	0.12 (1.06)	0.14 (1.24)	0.18 (1.59)	0.21 (1.86)	0.24 (2.12)	0.29 (2.57)	0.36 (3.19)	0.43 (3.81)	0.48 (4.25)	0.60 (5.31)	0.65 (5.75)	0.78 (6.90)	1.09 (9.65)	1.30 (11.5)	1.63 (14.4)	1.98 (17.5)	2.18 (19.3)	2.45 (21.7)	2.45 (21.7)													
MX6G□M (metal bearing)	Rotational direction												Same as motor rotational direction												Reverse to motor rotational direction											

Permissible torque at output shaft of gear head using decimal gear head

Unit of permissible torque: upper (N·m) / lower (lb-in)

Applicable gear head Bearing	Decimal gear head	Reduction Ratio	Speed	Speed																											
				200	250	300	360	500	600	750	900	1000	1200	1500	1800																
MX6G□BA (ball bearing)	MX6G10XB	1200 r/min	50 Hz	2.45 (21.7)	2.45 (21.7)	2.45 (21.7)	2.45 (21.7)	2.45 (21.7)	2.45 (21.7)	2.45 (21.7)	2.45 (21.7)	2.45 (21.7)	2.45 (21.7)	2.45 (21.7)	2.45 (21.7)	2.45 (21.7)	2.45 (21.7)	2.45 (21.7)	2.45 (21.7)	2.45 (21.7)	2.45 (21.7)	2.45 (21.7)	2.45 (21.7)								
			60 Hz	2.45 (21.7)	2.45 (21.7)	2.45 (21.7)	2.45 (21.7)	2.45 (21.7)	2.45 (21.7)	2.45 (21.7)	2.45 (21.7)	2.45 (21.7)	2.45 (21.7)	2.45 (21.7)	2.45 (21.7)	2.45 (21.7)	2.45 (21.7)	2.45 (21.7)	2.45 (21.7)	2.45 (21.7)	2.45 (21.7)	2.45 (21.7)	2.45 (21.7)	2.45 (21.7)							
MX6G□B (ball bearing)	90 r/min	50 Hz	2.45 (21.7)	2.45 (21.7)	2.45 (21.7)	2.45 (21.7)	2.45 (21.7)	2.45 (21.7)	2.45 (21.7)	2.45 (21.7)	2.45 (21.7)	2.45 (21.7)	2.45 (21.7)	2.45 (21.7)	2.45 (21.7)	2.45 (21.7)	2.45 (21.7)	2.45 (21.7)	2.45 (21.7)	2.45 (21.7)	2.45 (21.7)	2.45 (21.7)	2.45 (21.7)								
MX6G□MA (metal bearing)		60 Hz	2.45 (21.7)	2.45 (21.7)	2.45 (21.7)	2.45 (21.7)	2.45 (21.7)	2.45 (21.7)	2.45 (21.7)	2.45 (21.7)	2.45 (21.7)	2.45 (21.7)	2.45 (21.7)	2.45 (21.7)	2.45 (21.7)	2.45 (21.7)	2.45 (21.7)	2.45 (21.7)	2.45 (21.7)	2.45 (21.7)	2.45 (21.7)	2.45 (21.7)	2.45 (21.7)								
MX6G□M (metal bearing)	Rotational direction			Same as motor rotational direction														Reverse to motor rotational direction													

Speed-torque characteristics



Connection diagram

* For the connection diagram showing wiring with the speed controller, refer to pages C-6 to C-20.

Working range line

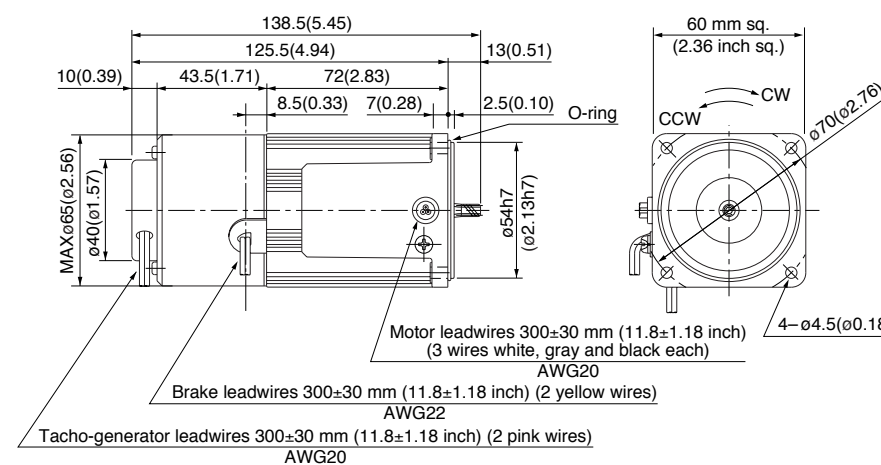
The working range line shows the working limit for the variable speed motor. The permissible torque should fall within the shaded portion. If you use the motor with the permissible torque exceeding the working range line (falling within the portion not shaded), the motor may be burned out due to a high temperature rise or the gear tooth may be damaged.

Motor (dimensions)

Scale: 1/3, Unit: mm (inch)

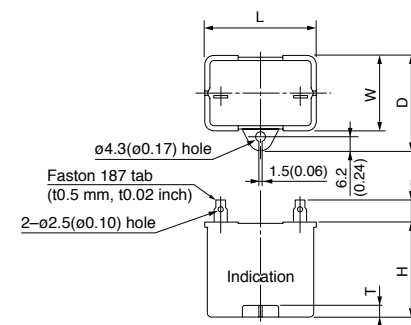
M6RX6GBV4L	4P 6 W 100 V
M6RX6GBV4Y	4P 6 W 200 V

Mass	Helical gear	Module	Number of teeth
1.1 kg (2.43 lb)		0.5	6



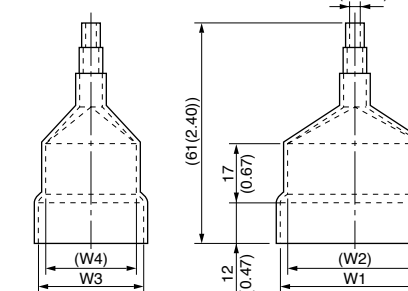
Capacitor (dimensions) [attachment]

Unit: mm (inch)



Capacitor cap (dimensions) [option]

Unit: mm (inch)



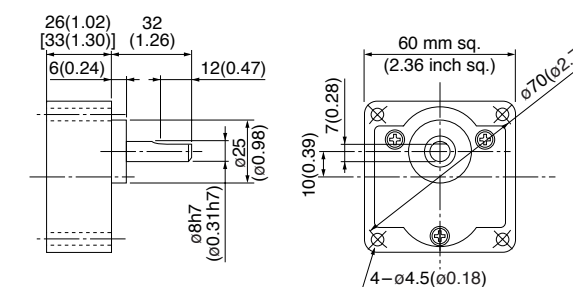
Capacitor dimension list Unit: upper (mm) / lower (inch)

Model number of motor	Model number of capacitor (attachment)	L	W	D	H	T	Capacitor cap (option)	W1	W2	W3	W4
M6RX6GBV4L	M0PC3M20	39.5 (1.56)	16 (0.63)	26.5 (1.04)	30.5 (1.20)	4 (0.16)	M0PC3917	39.5 (1.56)	37.5 (1.48)	17 (0.67)	15 (0.59)
M6RX6GBV4Y	M0PC0.8M40	39.5 (1.56)	16.2 (0.64)	27 (1.06)	27 (1.06)	4 (0.16)	M0PC3917	39.5 (1.56)	37.5 (1.48)	17 (0.67)	15 (0.59)

Gear head (dimensions)

Scale: 1/3, Unit: mm (inch)

MX6G□BA (ball bearing)	Mass 0.24 kg (0.53 lb): Output shaft D cut	MX6G□B (ball bearing)	Mass 0.3 kg (0.66 lb): Output shaft D cut
MX6G□MA (metal bearing)	Mass 0.24 kg (0.53 lb): Output shaft D cut	MX6G□M (metal bearing)	Mass 0.3 kg (0.66 lb): Output shaft D cut



* Figures in [] represent the dimensions of MX6G□B (M) (1/30 or larger reduction ratio).

(The model number of the gear head with a reduction ratio of 1/25 or smaller is MX6G□BA (MA).)

(Note) Because the dimensions may be subject to change, also check the determinate dimensions if the gear head is to be used for design.

Specifications

Size	Motor model No.	Number of pole (P)	Output (W)	Voltage (V)	Frequency (Hz)	Rating (min)	Variable speed range		Permissible Torque N·m (oz·in)		Starting current (A)	Starting torque N·m (oz·in)	Brake Input (W)	Brake Current (A)	Brake Friction Torque N·m (oz·in)	Capacitor (μF) (rated voltage)
							Speed (r/min)	at 1200 r/min	at 90 r/min	at 1200 r/min						
70 mm sq.	M7RX15GBV4L	4	15	100	50	30	90 to 1400	0.098 (13.9)	0.046 (6.51)	0.59	0.080 (11.3)	4	0.05	0.078 (11.0)	6 (200 V)	
							90 to 1700	0.098 (13.9)	0.046 (6.51)	0.57	0.080 (11.3)	4	0.05	0.078 (11.0)		
	M7RX15GBV4Y	4	15	200	50	30	90 to 1400	0.098 (13.9)	0.046 (6.51)	0.30	0.080 (11.3)	4	0.02	0.078 (11.0)	1.5 (400 V)	
							90 to 1700	0.098 (13.9)	0.046 (6.51)	0.30	0.080 (11.3)	4	0.02	0.078 (11.0)		

Permissible torque at output shaft of gear head

Unit of permissible torque: upper (N·m) / lower (lb·in)

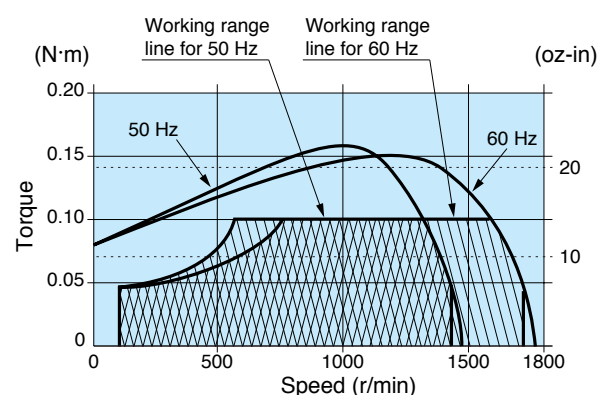
Applicable gear head Bearing	Reduction Ratio	Speed	Speed																					
			3	3.6	5	6	7.5	9	10	12.5	15	18	20	25	30	36	50	60	75	90	100	120	150	180
MX7G□BA (ball bearing)	1200 r/min	50 Hz	0.23 (2.04)	0.28 (2.48)	0.39 (3.45)	0.47 (4.16)	0.59 (5.22)	0.71 (6.28)	0.79 (6.99)	0.99 (8.76)	1.19 (10.5)	1.42 (12.6)	1.58 (14.0)	1.98 (17.5)	2.13 (18.9)	2.56 (22.7)	3.56 (31.5)	4.27 (37.8)	4.90 (43.4)	4.90 (43.4)	4.90 (43.4)	4.90 (43.4)	4.90 (43.4)	4.90 (43.4)
		60 Hz	0.23 (2.04)	0.28 (2.48)	0.39 (3.45)	0.47 (4.16)	0.59 (5.22)	0.71 (6.28)	0.79 (6.99)	0.99 (8.76)	1.19 (10.5)	1.42 (12.6)	1.58 (14.0)	1.98 (17.5)	2.13 (18.9)	2.56 (22.7)	3.56 (31.5)	4.27 (37.8)	4.90 (43.4)	4.90 (43.4)	4.90 (43.4)	4.90 (43.4)	4.90 (43.4)	4.90 (43.4)
MX7G□B (ball bearing)	1200 r/min	50 Hz	0.23 (2.04)	0.28 (2.48)	0.39 (3.45)	0.47 (4.16)	0.59 (5.22)	0.71 (6.28)	0.79 (6.99)	0.99 (8.76)	1.19 (10.5)	1.42 (12.6)	1.58 (14.0)	1.98 (17.5)	2.13 (18.9)	2.56 (22.7)	3.56 (31.5)	4.27 (37.8)	4.90 (43.4)	4.90 (43.4)	4.90 (43.4)	4.90 (43.4)	4.90 (43.4)	4.90 (43.4)
		60 Hz	0.23 (2.04)	0.28 (2.48)	0.39 (3.45)	0.47 (4.16)	0.59 (5.22)	0.71 (6.28)	0.79 (6.99)	0.99 (8.76)	1.19 (10.5)	1.42 (12.6)	1.58 (14.0)	1.98 (17.5)	2.13 (18.9)	2.56 (22.7)	3.56 (31.5)	4.27 (37.8)	4.90 (43.4)	4.90 (43.4)	4.90 (43.4)	4.90 (43.4)	4.90 (43.4)	4.90 (43.4)
MX7G□MA (metal bearing)	90 r/min	50 Hz	0.11 (0.97)	0.13 (1.15)	0.18 (1.59)	0.22 (1.95)	0.27 (2.39)	0.33 (2.92)	0.37 (3.27)	0.46 (4.07)	0.55 (4.87)	0.66 (5.84)	0.74 (6.55)	0.93 (8.23)	1.00 (8.85)	1.20 (10.6)	1.67 (14.8)	2.00 (17.7)	2.50 (22.1)	3.00 (26.6)	3.34 (29.6)	4.00 (35.4)	4.90 (43.4)	
MX7G□M (metal bearing)		60 Hz	0.11 (0.97)	0.13 (1.15)	0.18 (1.59)	0.22 (1.95)	0.27 (2.39)	0.33 (2.92)	0.37 (3.27)	0.46 (4.07)	0.55 (4.87)	0.66 (5.84)	0.74 (6.55)	0.93 (8.23)	1.00 (8.85)	1.20 (10.6)	1.67 (14.8)	2.00 (17.7)	2.50 (22.1)	3.00 (26.6)	3.34 (29.6)	4.00 (35.4)	4.90 (43.4)	
Rotational direction			Same as motor rotational direction												Reverse to motor rotational direction									

Permissible torque at output shaft of gear head using decimal gear head

Unit of permissible torque: upper (N·m) / lower (lb·in)

Applicable gear head Bearing	Decimal gear head	Reduction Ratio	Speed	Speed																			
				200	250	300	360	500	600	750	900	1000	1200	1500	1800								
MX7G□BA (ball bearing)	MX7G10XB	1200 r/min	50 Hz	4.90 (43.4)	4.90 (43.4)	4.90 (43.4)	4.90 (43.4)	4.90 (43.4)	4.90 (43.4)	4.90 (43.4)	4.90 (43.4)	4.90 (43.4)	4.90 (43.4)	4.90 (43.4)	4.90 (43.4)	4.90 (43.4)	4.90 (43.4)	4.90 (43.4)	4.90 (43.4)	4.90 (43.4)	4.90 (43.4)	4.90 (43.4)	4.90 (43.4)
			60 Hz	4.90 (43.4)	4.90 (43.4)	4.90 (43.4)	4.90 (43.4)	4.90 (43.4)	4.90 (43.4)	4.90 (43.4)	4.90 (43.4)	4.90 (43.4)	4.90 (43.4)	4.90 (43.4)	4.90 (43.4)	4.90 (43.4)	4.90 (43.4)	4.90 (43.4)	4.90 (43.4)	4.90 (43.4)	4.90 (43.4)	4.90 (43.4)	4.90 (43.4)
MX7G□B (ball bearing)	MX7G10XB	1200 r/min	50 Hz	4.90 (43.4)	4.90 (43.4)	4.90 (43.4)	4.90 (43.4)	4.90 (43.4)	4.90 (43.4)	4.90 (43.4)	4.90 (43.4)	4.90 (43.4)	4.90 (43.4)	4.90 (43.4)	4.90 (43.4)	4.90 (43.4)	4.90 (43.4)	4.90 (43.4)	4.90 (43.4)	4.90 (43.4)	4.90 (43.4)	4.90 (43.4)	4.90 (43.4)
60 Hz			4.90 (43.4)	4.90 (43.4)	4.90 (43.4)	4.90 (43.4)	4.90 (43.4)	4.90 (43.4)	4.90 (43.4)	4.90 (43.4)	4.90 (43.4)	4.90 (43.4)	4.90 (43.4)	4.90 (43.4)	4.90 (43.4)	4.90 (43.4)	4.90 (43.4)	4.90 (43.4)	4.90 (43.4)	4.90 (43.4)	4.90 (43.4)	4.90 (43.4)	4.90 (43.4)
MX7G□MA (metal bearing)	MX7G10XB	90 r/min	50 Hz	4.90 (43.4)	4.90 (43.4)	4.90 (43.4)	4.90 (43.4)	4.90 (43.4)	4.90 (43.4)	4.90 (43.4)	4.90 (43.4)	4.90 (43.4)	4.90 (43.4)	4.90 (43.4)	4.90 (43.4)	4.90 (43.4)	4.90 (43.4)	4.90 (43.4)	4.90 (43.4)	4.90 (43.4)	4.90 (43.4)	4.90 (43.4)	4.90 (43.4)
60 Hz			4.90 (43.4)	4.90 (43.4)	4.90 (43.4)	4.90 (43.4)	4.90 (43.4)	4.90 (43.4)	4.90 (43.4)	4.90 (43.4)	4.90 (43.4)	4.90 (43.4)	4.90 (43.4)	4.90 (43.4)	4.90 (43.4)	4.90 (43.4)	4.90 (43.4)	4.90 (43.4)	4.90 (43.4)	4.90 (43.4)	4.90 (43.4)	4.90 (43.4)	4.90 (43.4)
Rotational direction			Same as motor rotational direction				Reverse to motor rotational direction																

Speed-torque characteristics



Connection diagram

* For the connection diagram showing wiring with the speed controller, refer to pages C-6 to C-20.

* Working range line

The working range line shows the working limit for the variable speed motor. The permissible torque should fall within the shaded portion. If you use the motor with the permissible torque exceeding the working range line (falling within the portion not shaded), the motor may be burned out due to a high temperature rise or the gear tooth may be damaged.

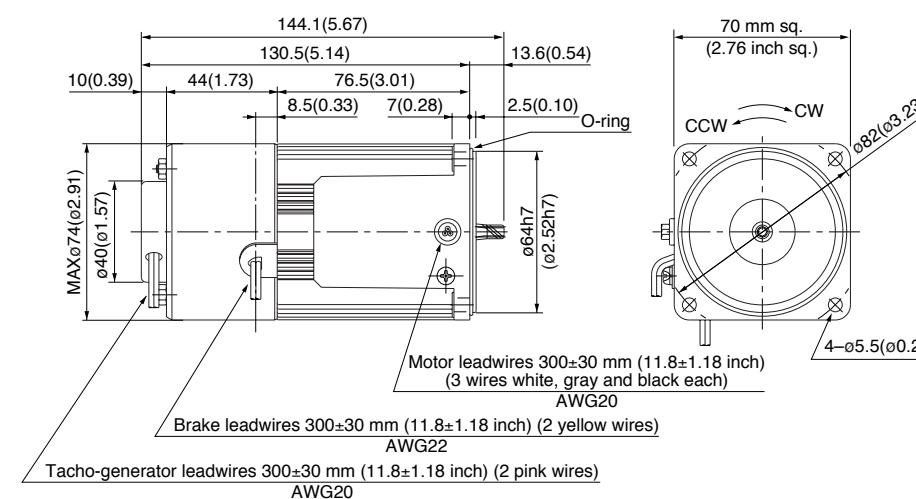
* Please read your User's manual carefully so that you will understand the operation and safety precautions before attempting to operate the system.

Motor (dimensions)

Scale: 1/3, Unit: mm (inch)

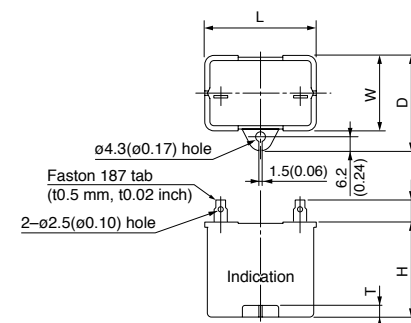
M7RX15GBV4L	4P 15 W 100 V
M7RX15GBV4Y	4P 15 W 200 V

Mass	Helical gear	Module	Number of teeth
1.5 kg (3.31 lb)		0.5	7



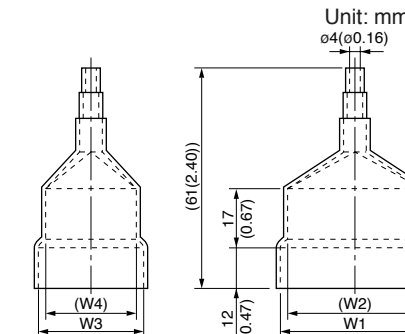
Capacitor (dimensions) [attachment]

Unit: mm (inch)



Capacitor cap (dimensions) [option]

Unit: mm (inch)



Capacitor dimension list Unit: upper (mm) / lower (inch)

Model number of motor	Model number of capacitor (attachment)	L	W	D	H	T	Capacitor cap (option)	W1	W2	W3	W4
M7RX15GBV4L	M0PC6M20	39.5 (1.56)	17.5 (0.69)	28 (1.10)	30.5 (1.20)	4 (0.16)	M0PC3917	39.5 (1.56)	37.5 (1.48)	17 (0.67)	15 (0.59)
M7RX15GBV4Y	M0PC1.5M40	39.5 (1.56)	22 (0.87)	32.5 (1.28)	32.5 (1.28)	4 (0.16)	M0PC3922	39.5 (1.56)	37.5 (1.48)	22 (0.87)	20 (0.79)

Gear head (dimensions)

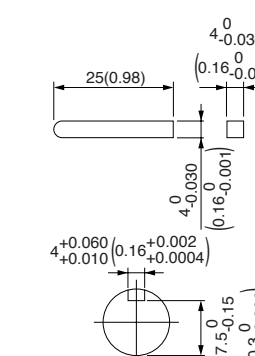
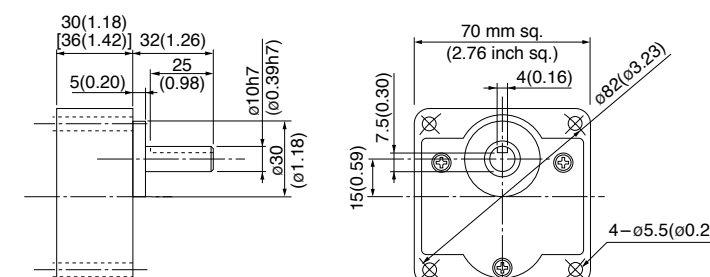
Scale: 1/3, Unit: mm (inch)

MX7G□BA (ball bearing)	Mass 0.38 kg (0.84 lb)
MX7G□MA (metal bearing)	Mass 0.38 kg (0.84 lb)

MX7G□B (ball bearing)	Mass 0.45 kg (0.99 lb)
MX7G□M (metal bearing)	Mass 0.45 kg (0.99 lb)

Key and keyway (dimensions) [attachment]

MX7G□BA(B)	MX7G□MA(M)
------------	------------



* Figures in [] represent the dimensions of MX7G□B (M) (1/30 or larger reduction ratio).

(The model number of the gear head with a reduction ratio of 1/25 or smaller is MX7G□BA (MA).)

(Note) Because the dimensions may be subject to change, also check the determinate dimensions if the gear head is to be used for design.

Specifications

Size	Motor model No.	Number of pole (P)	Output (W)	Voltage (V)	Frequency (Hz)	Rating (min)	Variable speed range		Permissible Torque N·m (oz-in)		Starting current (A)	Starting torque N·m (oz-in)	Brake Input (W)	Brake Current (A)	Brake Friction Torque N·m (oz-in)	Capacitor (μF) (rated voltage)
							Speed (r/min)	at 1200 r/min	at 90 r/min	at 1200 r/min						
80 mm sq.	M8RX25GBV4L	4	25	100	50	30	90 to 1400	0.15 (21.2)	0.088 (12.5)	1.0	0.16 (22.7)	6	0.07	0.10 (14.2)	9.5 (200 V)	
							90 to 1700	0.15 (21.2)	0.088 (12.5)	1.0	0.16 (22.7)	6	0.07	0.10 (14.2)		
	M8RX25GBV4Y	4	25	200	50	30	90 to 1400	0.15 (21.2)	0.088 (12.5)	0.5	0.16 (22.7)	6	0.03	0.10 (14.2)	2.4 (400 V)	
							90 to 1700	0.15 (21.2)	0.088 (12.5)	0.5	0.16 (22.7)	6	0.03	0.10 (14.2)		

Permissible torque at output shaft of gear head

Unit of permissible torque: upper (N·m) / lower (lb-in)

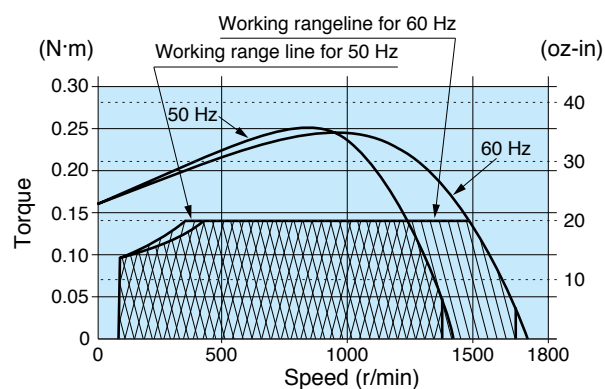
Applicable gear head Bearing	Reduction Ratio	Speed	Permissible Torque																					
			3	3.6	5	6	7.5	9	10	12.5	15	18	20	25	30	36	50	60	75	90	100	120	150	180
MX8G□B (ball bearing)	1200 r/min	50 Hz	0.34 (3.01)	0.40 (3.54)	0.56 (4.96)	0.68 (6.02)	0.85 (7.52)	1.02 (9.03)	1.13 (10.0)	1.41 (12.5)	1.70 (15.0)	2.04 (18.1)	2.26 (20.0)	2.83 (25.0)	3.06 (27.1)	3.67 (32.5)	5.10 (45.1)	6.12 (54.2)	7.65 (67.7)	7.84 (69.4)	7.84 (69.4)	7.84 (69.4)	7.84 (69.4)	7.84 (69.4)
		60 Hz	0.34 (3.01)	0.40 (3.54)	0.56 (4.96)	0.68 (6.02)	0.85 (7.52)	1.02 (9.03)	1.13 (10.0)	1.41 (12.5)	1.70 (15.0)	2.04 (18.1)	2.26 (20.0)	2.83 (25.0)	3.06 (27.1)	3.67 (32.5)	5.10 (45.1)	6.12 (54.2)	7.65 (67.7)	7.84 (69.4)	7.84 (69.4)	7.84 (69.4)	7.84 (69.4)	7.84 (69.4)
MX8G□M (metal bearing)	90 r/min	0.21 (1.86)	0.25 (2.12)	0.35 (3.10)	0.42 (3.72)	0.53 (4.69)	0.64 (5.66)	0.71 (6.28)	0.89 (7.88)	1.06 (9.38)	1.28 (11.3)	1.42 (12.6)	1.78 (15.8)	2.13 (18.8)	2.56 (22.7)	3.56 (31.5)	4.27 (37.8)	5.34 (47.3)	6.41 (56.7)	7.12 (63.0)	7.84 (69.4)	7.84 (69.4)	7.84 (69.4)	7.84 (69.4)
Rotational direction		Same as motor rotational direction												Reverse to motor rotational direction										

Permissible torque at output shaft of gear head using decimal gear head

Unit of permissible torque: upper (N·m) / lower (lb-in)

Applicable gear head Bearing	Decimal gear head	Reduction Ratio	Speed	Permissible Torque																				
				200	250	300	360	500	600	750	900	1000	1200	1500	1800									
MX8G□B (ball bearing)	MX8G10XB	1200 r/min	50 Hz	7.84 (69.4)	7.84 (69.4)	7.84 (69.4)	7.84 (69.4)	7.84 (69.4)	7.84 (69.4)	7.84 (69.4)	7.84 (69.4)	7.84 (69.4)	7.84 (69.4)	7.84 (69.4)	7.84 (69.4)	7.84 (69.4)	7.84 (69.4)	7.84 (69.4)	7.84 (69.4)	7.84 (69.4)	7.84 (69.4)	7.84 (69.4)	7.84 (69.4)	7.84 (69.4)
			60 Hz	7.84 (69.4)	7.84 (69.4)	7.84 (69.4)	7.84 (69.4)	7.84 (69.4)	7.84 (69.4)	7.84 (69.4)	7.84 (69.4)	7.84 (69.4)	7.84 (69.4)	7.84 (69.4)	7.84 (69.4)	7.84 (69.4)	7.84 (69.4)	7.84 (69.4)	7.84 (69.4)	7.84 (69.4)	7.84 (69.4)	7.84 (69.4)	7.84 (69.4)	7.84 (69.4)
MX8G□M (metal bearing)	90 r/min	7.84 (69.4)	7.84 (69.4)	7.84 (69.4)	7.84 (69.4)	7.84 (69.4)	7.84 (69.4)	7.84 (69.4)	7.84 (69.4)	7.84 (69.4)	7.84 (69.4)	7.84 (69.4)	7.84 (69.4)	7.84 (69.4)	7.84 (69.4)	7.84 (69.4)	7.84 (69.4)	7.84 (69.4)	7.84 (69.4)	7.84 (69.4)	7.84 (69.4)	7.84 (69.4)	7.84 (69.4)	7.84 (69.4)
Rotational direction		Same as motor rotational direction				Reverse to motor rotational direction																		

Speed-torque characteristics



Connection diagram

* For the connection diagram showing wiring with the speed controller, refer to pages C-6 to C-20.

* Working range line

The working range line shows the working limit for the variable speed motor. The permissible torque should fall within the shaded portion. If you use the motor with the permissible torque exceeding the working range line (falling within the portion not shaded), the motor may be burned out due to a high temperature rise or the gear tooth may be damaged.

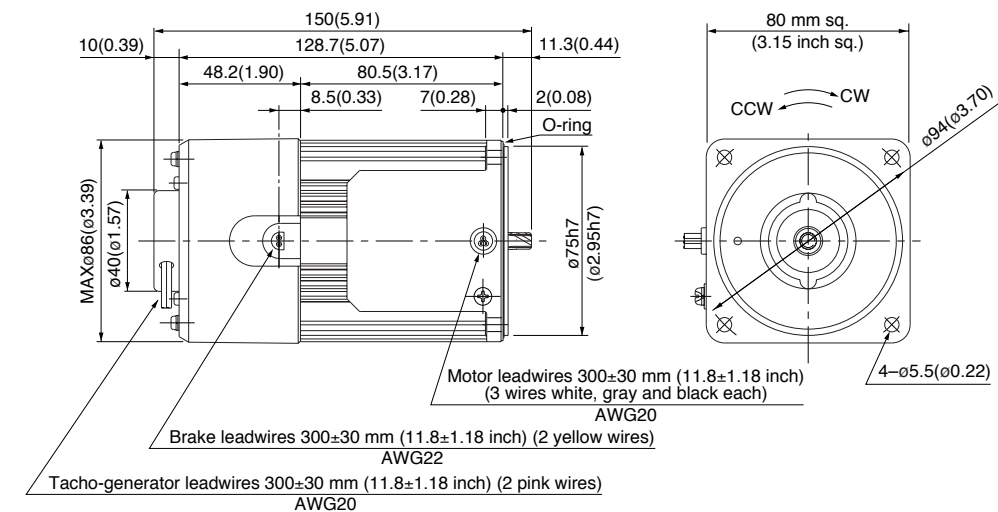
* Please read your User's manual carefully so that you will understand the operation and safety precautions before attempting to operate the system.

Motor (dimensions)

Scale: 1/3, Unit: mm (inch)

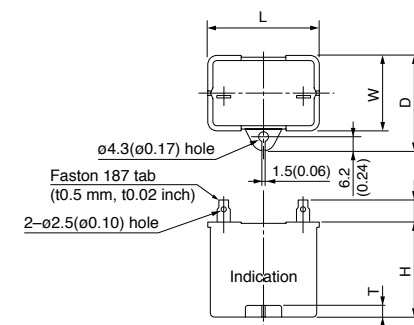
M8RX25GBV4L 4P 25 W 100 V
M8RX25GBV4Y 4P 25 W 200 V

Mass 2.2 kg (4.85 lb)
Helical gear
Module 0.5
Number of teeth 9



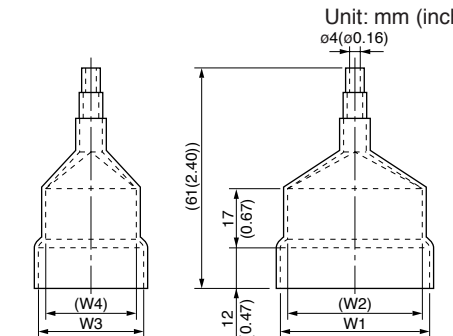
Capacitor (dimensions) [attachment]

Unit: mm (inch)



Capacitor cap (dimensions) [option]

Unit: mm (inch)



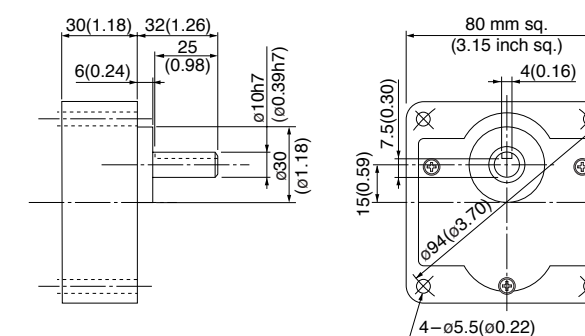
Capacitor dimension list Unit: upper (mm) / lower (inch)

Model number of motor	Model number of capacitor (attachment)	L	W	D	H	T	Capacitor cap (option)	W1	W2	W3	W4
M8RX25GBV4L	M0PC9.5M20	39.5 (1.56)	22 (0.87)	32.5 (1.28)	30.5 (1.20)	4 (0.16)	M0PC3922	39.5 (1.56)	37.5 (1.48)	22 (0.87)	20 (0.79)
M8RX25GBV4Y	M0PC2.4M40	49.7 (1.96)	24 (0.94)	34.5 (1.36)	34.5 (1.36)	4 (0.16)	M0PC5026	50 (1.97)	48 (1.89)	26 (1.02)	22 (0.87)

Gear head (dimensions)

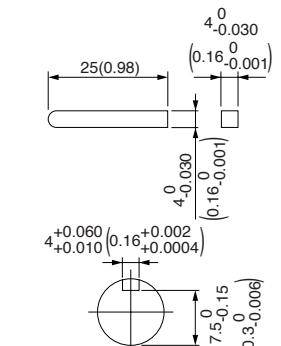
Scale: 1/3, Unit: mm (inch)

MX8G□B (ball bearing) Mass 0.6 kg (1.32 lb) MX8G□M (metal bearing) Mass 0.6 kg (1.32 lb)



Key and keyway (dimensions) [attachment]

MX8G□B(M)



(Note) Because the dimensions may be subject to change, also check the determinate dimensions if the gear head is to be used for design.

Specifications

Size	Motor model No.	Number of pole (P)	Output (W)	Voltage (V)	Frequency (Hz)	Rating (min)	Variable speed range		Permissible Torque N·m (oz-in)		Starting current (A)	Starting torque N·m (oz-in)	Brake Input (W)	Brake Current (A)	Brake Friction Torque N·m (oz-in)	Capacitor (μF) (rated voltage)
							Speed (r/min)	at 1200 r/min	at 90 r/min							
90 mm sq.	M9RX40GBV4L	4	40	100	50	30	90 to 1400	0.30 (42.5)	0.098 (13.9)	1.60	0.25 (35.4)	9	0.10	0.20 (28.3)	15 (210 V)	
							90 to 1700	0.24 (34.0)	0.098 (13.9)	1.60	0.25 (35.4)	9	0.10	0.20 (28.3)		
	M9RX40GBV4Y	4	40	200	50	30	90 to 1400	0.30 (42.5)	0.098 (13.9)	0.80	0.25 (35.4)	9	0.05	0.20 (28.3)	3.8 (400 V)	
							90 to 1700	0.24 (34.0)	0.098 (13.9)	0.76	0.25 (35.4)	9	0.05	0.20 (28.3)		

Permissible torque at output shaft of gear head

Unit of permissible torque: upper (N·m) / lower (lb-in)

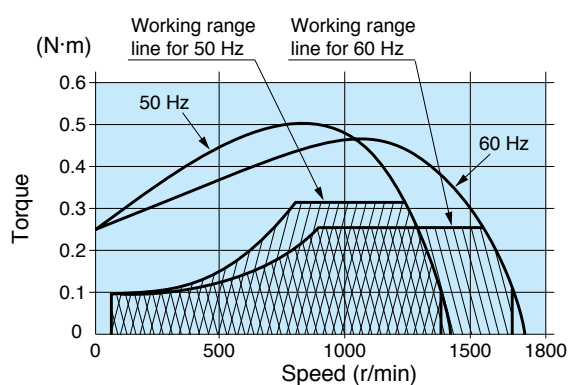
Applicable gear head Bearing	Reduction Ratio	Speed	Permissible Torque																						
			3	3.6	5	6	7.5	9	10	12.5	15	18	20	25	30	36	50	60	75	90	100	120	150	180	
MX9G□B (ball bearing)	1200 r/min	50 Hz	0.66 (5.84)	0.84 (7.43)	1.08 (9.56)	1.38 (12.2)	1.57 (13.9)	2.00 (17.7)	2.25 (19.9)	2.74 (24.3)	3.23 (28.6)	4.13 (36.6)	4.41 (39.0)	5.29 (46.8)	6.37 (56.4)	8.15 (72.1)	9.8 (86.7)	9.8 (86.7)	9.8 (86.7)	9.8 (86.7)	9.8 (86.7)	9.8 (86.7)	9.8 (86.7)	9.8 (86.7)	9.8 (86.7)
		60 Hz	0.51 (4.51)	0.66 (5.84)	0.84 (7.43)	1.08 (9.56)	1.22 (10.8)	1.57 (13.9)	1.76 (15.6)	2.14 (18.9)	2.74 (24.3)	3.23 (28.6)	3.53 (31.2)	4.13 (36.6)	5.29 (46.8)	6.37 (56.4)	8.8 (77.9)	9.8 (86.7)	9.8 (86.7)	9.8 (86.7)	9.8 (86.7)	9.8 (86.7)	9.8 (86.7)	9.8 (86.7)	9.8 (86.7)
MX9G□M (metal bearing)	90 r/min	50 Hz	0.23 (2.04)	0.28 (2.48)	0.39 (3.45)	0.47 (4.16)	0.59 (5.22)	0.71 (6.28)	0.79 (6.99)	0.99 (8.76)	1.19 (10.5)	1.42 (12.6)	1.58 (14.0)	1.98 (17.5)	2.38 (21.1)	2.85 (25.2)	3.96 (35.0)	4.76 (42.1)	5.95 (52.7)	7.14 (61.2)	7.93 (70.2)	9.52 (84.2)	9.8 (86.7)	9.8 (86.7)	9.8 (86.7)
		60 Hz	0.23 (2.04)	0.28 (2.48)	0.39 (3.45)	0.47 (4.16)	0.59 (5.22)	0.71 (6.28)	0.79 (6.99)	0.99 (8.76)	1.19 (10.5)	1.42 (12.6)	1.58 (14.0)	1.98 (17.5)	2.38 (21.1)	2.85 (25.2)	3.96 (35.0)	4.76 (42.1)	5.95 (52.7)	7.14 (61.2)	7.93 (70.2)	9.52 (84.2)	9.8 (86.7)	9.8 (86.7)	9.8 (86.7)
Rotational direction		Same as motor rotational direction												Reverse to motor rotational direction											

Permissible torque at output shaft of gear head using decimal gear head

Unit of permissible torque: upper (N·m) / lower (lb-in)

Applicable gear head Bearing	Decimal gear head	Reduction Ratio	Speed	Permissible Torque																					
				200	250	300	360	500	600	750	900	1000	1200	1500	1800										
MX9G□B (ball bearing)	MX9G10XB	1200 r/min	50 Hz	9.80 (86.7)	9.80 (86.7)	9.80 (86.7)	9.80 (86.7)	9.80 (86.7)	9.80 (86.7)	9.80 (86.7)	9.80 (86.7)	9.80 (86.7)	9.80 (86.7)	9.80 (86.7)	9.80 (86.7)	9.80 (86.7)	9.80 (86.7)	9.80 (86.7)	9.80 (86.7)	9.80 (86.7)	9.80 (86.7)	9.80 (86.7)	9.80 (86.7)	9.80 (86.7)	
			60 Hz	9.80 (86.7)	9.80 (86.7)	9.80 (86.7)	9.80 (86.7)	9.80 (86.7)	9.80 (86.7)	9.80 (86.7)	9.80 (86.7)	9.80 (86.7)	9.80 (86.7)	9.80 (86.7)	9.80 (86.7)	9.80 (86.7)	9.80 (86.7)	9.80 (86.7)	9.80 (86.7)	9.80 (86.7)	9.80 (86.7)	9.80 (86.7)	9.80 (86.7)	9.80 (86.7)	9.80 (86.7)
MX9G□M (metal bearing)	MX9G10XB	90 r/min	50 Hz	9.80 (86.7)	9.80 (86.7)	9.80 (86.7)	9.80 (86.7)	9.80 (86.7)	9.80 (86.7)	9.80 (86.7)	9.80 (86.7)	9.80 (86.7)	9.80 (86.7)	9.80 (86.7)	9.80 (86.7)	9.80 (86.7)	9.80 (86.7)	9.80 (86.7)	9.80 (86.7)	9.80 (86.7)	9.80 (86.7)	9.80 (86.7)	9.80 (86.7)	9.80 (86.7)	9.80 (86.7)
			60 Hz	9.80 (86.7)	9.80 (86.7)	9.80 (86.7)	9.80 (86.7)	9.80 (86.7)	9.80 (86.7)	9.80 (86.7)	9.80 (86.7)	9.80 (86.7)	9.80 (86.7)	9.80 (86.7)	9.80 (86.7)	9.80 (86.7)	9.80 (86.7)	9.80 (86.7)	9.80 (86.7)	9.80 (86.7)	9.80 (86.7)	9.80 (86.7)	9.80 (86.7)	9.80 (86.7)	9.80 (86.7)
Rotational direction		Same as motor rotational direction		Reverse to motor rotational direction																					

Speed-torque characteristics



Connection diagram

* For the connection diagram showing wiring with the speed controller, refer to pages C-6 to C-20.

* Working range line

The working range line shows the working limit for the variable speed motor. The permissible torque should fall within the shaded portion. If you use the motor with the permissible torque exceeding the working range line (falling within the portion not shaded), the motor may be burned out due to a high temperature rise or the gear tooth may be damaged.

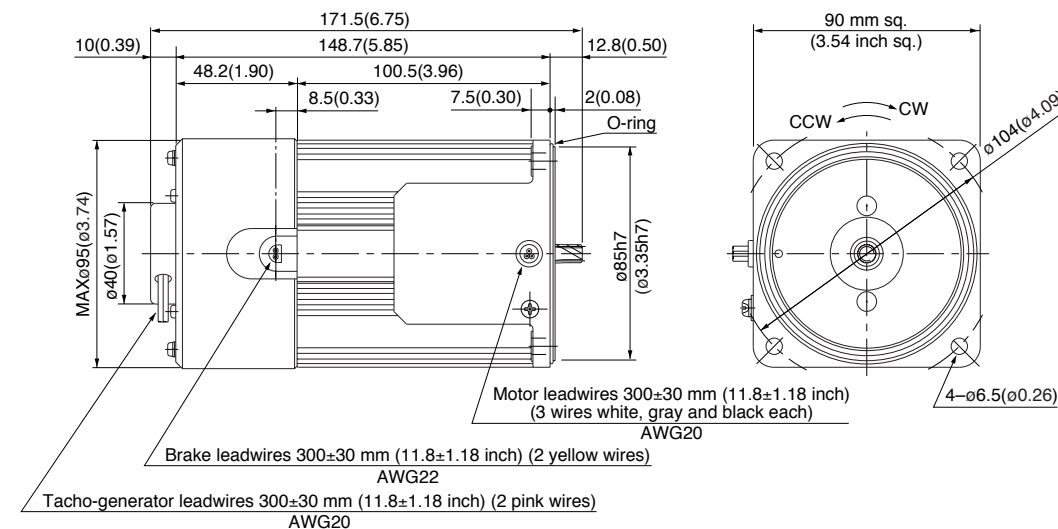
* Please read your User's manual carefully so that you will understand the operation and safety precautions before attempting to operate the system.

Motor (dimensions)

Scale: 1/3, Unit: mm (inch)

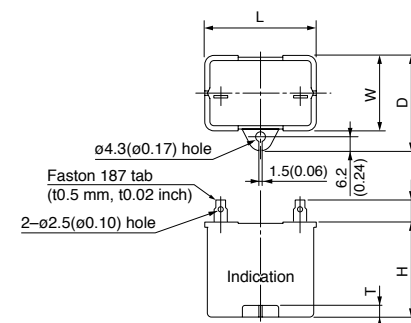
M9RX40GBV4L 4P 40 W 100 V
M9RX40GBV4Y 4P 40 W 200 V

Mass 3.2 kg (7.05 lb)
Helical gear
Module 0.55
Number of teeth 9



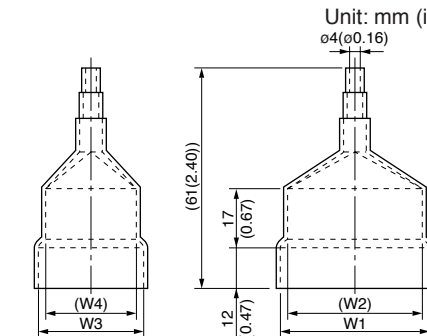
Capacitor (dimensions) [attachment]

Unit: mm (inch)



Capacitor cap (dimensions) [option]

Unit: mm (inch)



Capacitor dimension list Unit: upper (mm) / lower (inch)

Model number of motor	Model number of capacitor (attachment)	L	W	D	H	T	Capacitor cap (option)	W1	W2	W3	W4
M9RX40GBV4L	M0PC15M20	39.5 (1.56)	26.7 (1.05)	37 (1.46)	41 (1.61)	4 (0.16)	M0PC3926	39.5 (1.56)	37.5 (1.48)	26 (1.02)	25 (0.98)
M9RX40GBV4Y	M0PC3.8M40	50 (1.97)	26.7 (1.05)	37.5 (1.48)	38 (1.50)	4 (0.16)	M0PC5026	50 (1.97)	48 (1.89)	26 (1.02)	22 (0.87)

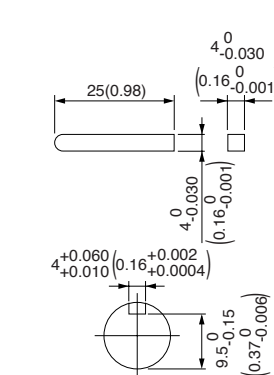
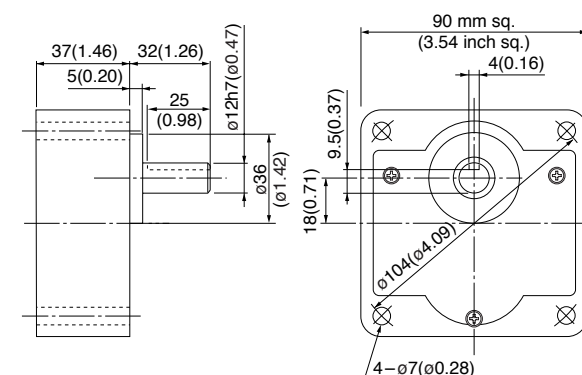
Gear head (dimensions)

Scale: 1/3, Unit: mm (inch)

MX9G□B (ball bearing) Mass 0.8 kg (1.76 lb) MX9G□M (metal bearing) Mass 0.8 kg (1.76 lb)

Key and keyway (dimensions) [attachment]

MX9G□B(M)



(Note) Because the dimensions may be subject to change, also check the determinate dimensions if the gear head is to be used for design.

Variable speed electromagnetic brake single-phase motor (leadwire)

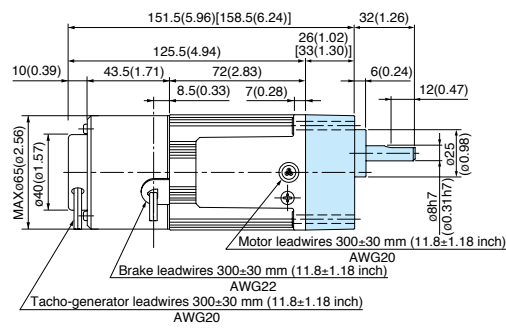
Gear head combination dimensions

Scale: 1/4, Unit: mm (inch)

* Gear head is sold separately.

60 mm sq. (2.36 inch sq.) 6 W

M6RX6GBV4L + MX6G□BA(MA) / MX6G□B(M)
M6RX6GBV4Y + MX6G□BA(MA) / MX6G□B(M)

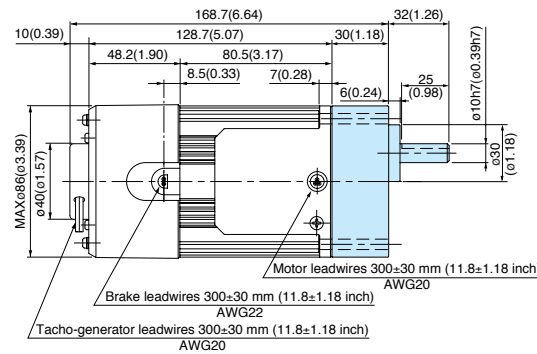


* Figures in [] represent the dimensions of MX6G□B (M) (1/30 or larger reduction ratio).

The model number of the gear head with a reduction ratio of 1/25 or smaller is MX6G□BA (MA).

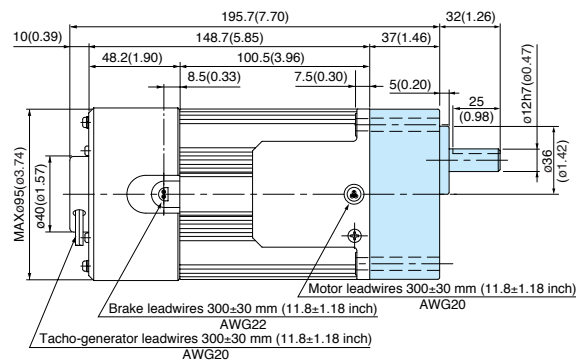
80 mm sq. (3.15 inch sq.) 25 W

M8RX25GBV4L + MX8G□B(M)
M8RX25GBV4Y + MX8G□B(M)



90 mm sq. (3.54 inch sq.) 40 W

M9RX40GBV4L + MX9G□B(M)
M9RX40GBV4Y + MX9G□B(M)

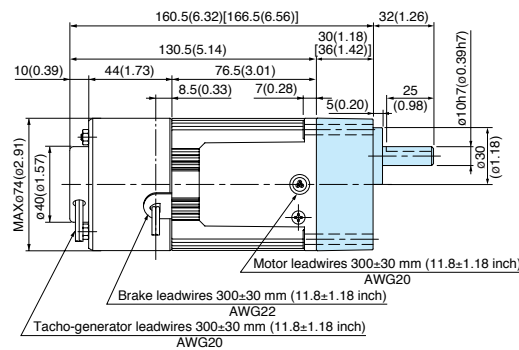


* Figures in [] represent the dimensions of MX6G□B (M) (1/30 or larger reduction ratio).

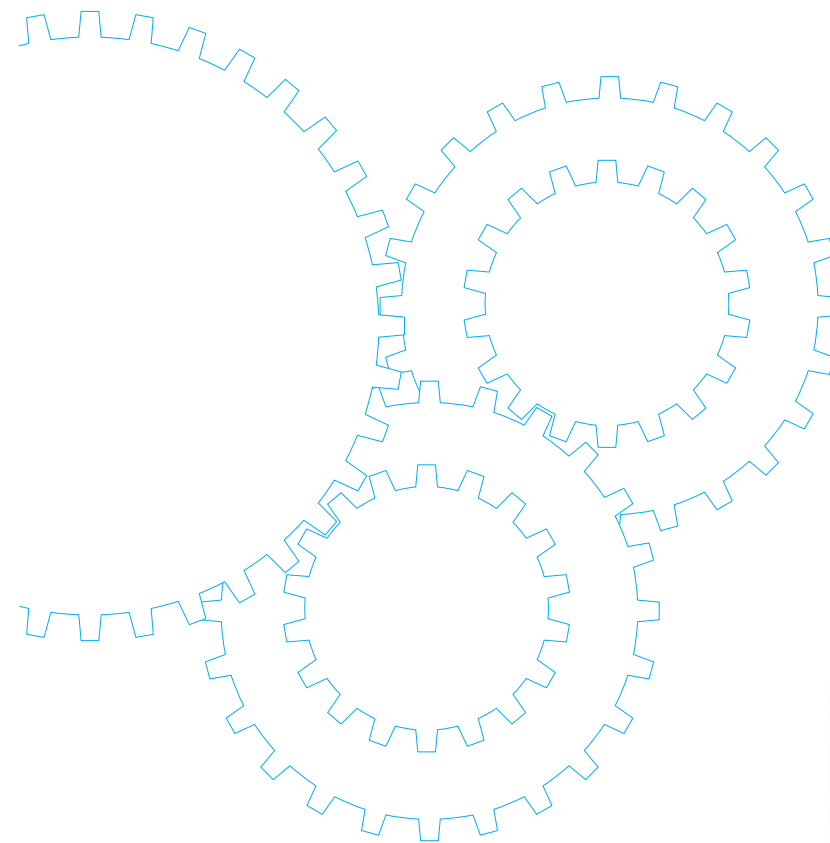
The model number of the gear head with a reduction ratio of 1/25 or smaller is MX7G□BA (MA).

70 mm sq. (2.76 inch sq.) 15 W

M7RX15GBV4L + MX7G□BA(MA) / MX7G□B(M)
M7RX15GBV4Y + MX7G□BA(MA) / MX7G□B(M)



Variable Speed Unit Motor



Contents

• Motor Overview	B-324
• Model list	B-326
• Product information for each model	B-328
• Gear head combination dimensions	B-340

* Please read your User's manual carefully so that you will understand the operation and safety precautions before attempting to operate the system.

Outline of variable speed unit motor

Features

- A variable speed motor is combined with a one-touch connection speed controller.
- The speed controller is available in an analog setting type (MUSN series) or a digital setting type (MUXN series).

<MUSN series>

- Analog setting type with a speed setting knob, RUN-STOP and rotational direction change
- The cable can be extended up to 5 m using an option (p.D-4)
When the motor and speed controller are ordered separately, they are however available as spare parts without extension cable and instruction manual attached. Option cable can be ordered as necessary (p. D-4).

<MUXN series>

- Multifunction digital setting type using a microcomputer
 1. The speed can be set digitally.
 2. The motor speed can be converted to the gear head speed and conveyor speed instantaneously.
 3. The actual speed can be displayed digitally.
 4. Soft-start/soft-down function
 5. Backup function of setting conditions
 6. Set lock function
- The cable can be extended up to 5 m using an option (p.B-325)
When the motor and speed controller are ordered separately, they are however available as spare parts without extension cable and instruction manual attached. Option cable can be ordered as necessary (p.B-325).

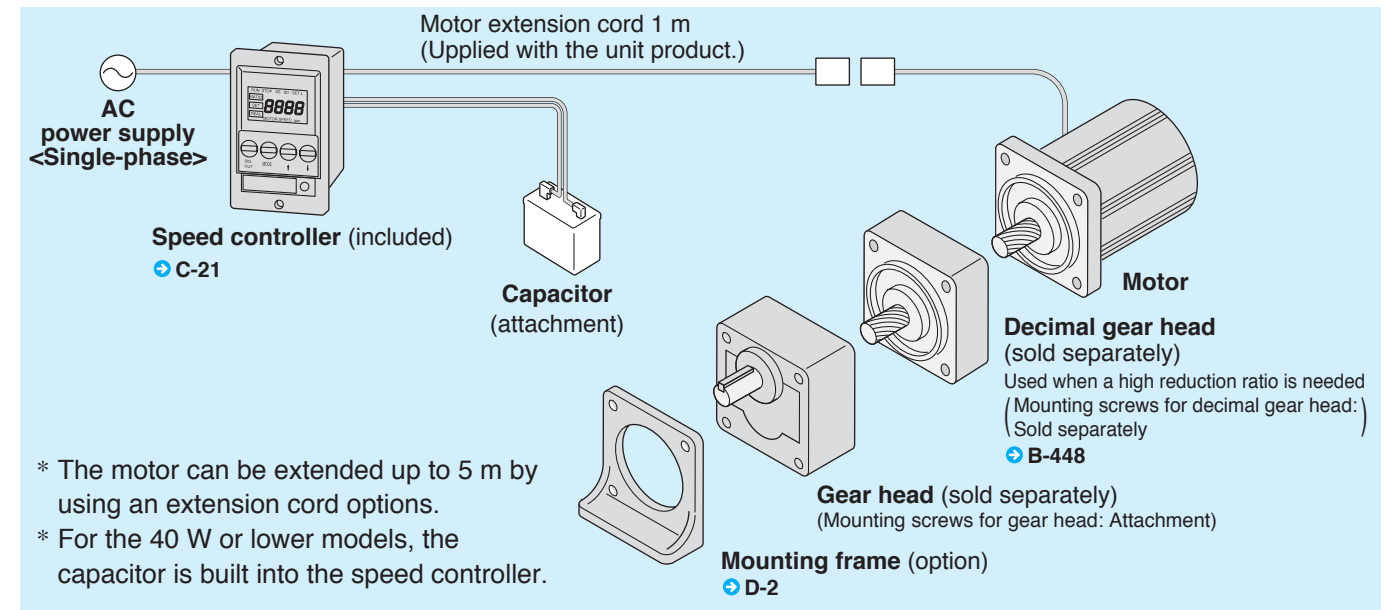
Note) Variable speed unit motor start-stop operation must not exceed 6-cycles per minute or damage may occur.

Specifications

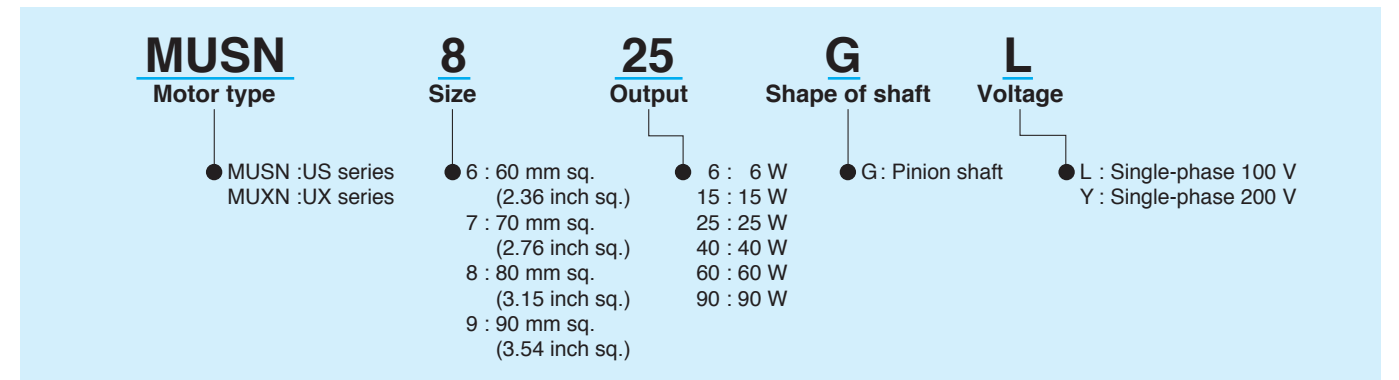
	MUSN Series	MUXN Series
Output	6 W : 15 W : 25 W : 40 W : 60 W : 90 W	6 W : 15 W : 25 W : 40 W : 60 W : 90 W
Rated voltage	Single-phase 100 V / 200 V	Single-phase 100 V / 200 V
Power supply frequency	50 Hz / 60 Hz	50 Hz / 60 Hz
Speed control range	90 r/min to 1400 r/min / 90 r/min to 1700 r/min	90 r/min to 1400 r/min / 90 r/min to 1700 r/min
Speed variation	5 % (standard value)	5 % (standard value)
Speed setting	Analog setting	Digital setting
Operating temperature range	-10 °C to 40 °C	0 °C to 40 °C
Storage temperature range	-20 °C to 60 °C	-10 °C to 60 °C
Soft-start/soft-down time		0.1 sec to 30 sec

- The 90 W models contain a thermal protector to prevent burnout for 90 W.

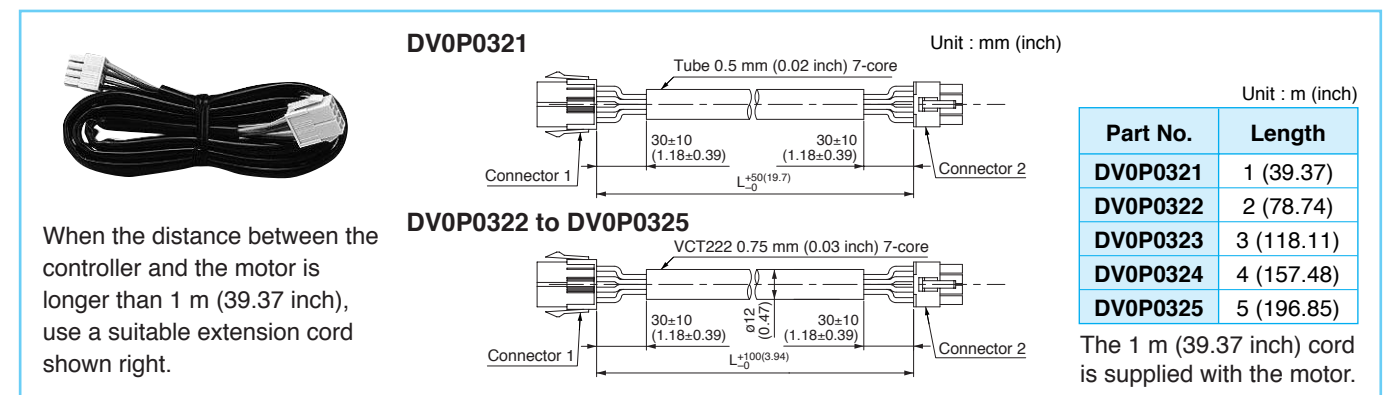
System configuration diagram



Coding system



Unit type motor extension cord



Fit tolerance

Fit tolerance symbol is used in the outside dimension diagram of motor and gear head. For further information, see "Fit tolerance" on page A-33.

Model list of variable speed unit motor

Pinion shaft motor / speed controller (Set)

Applicable gear head

 Hinge attached

Size	Output (W)	MUSN Series			MUXN Series		
		Model number	Specifications	Page	Model number	Specifications	Page
60 mm sq. (2.36 inch sq.)	6	MUSN606GL	100 V	B-328	MUXN606GL	100 V	B-328
		MUSN606GY	200 V	B-328	MUXN606GY	200 V	B-328
70 mm sq. (2.76 inch sq.)	15	MUSN715GL	100 V	B-330	MUXN715GL	100 V	B-330
		MUSN715GY	200 V	B-330	MUXN715GY	200 V	B-330
80 mm sq. (3.15 inch sq.)	25	MUSN825GL	100 V	B-332	MUXN825GL	100 V	B-332
		MUSN825GY	200 V	B-332	MUXN825GY	200 V	B-332
90 mm sq. (3.54 inch sq.)	40	MUSN940GL	100 V	B-334	MUXN940GL	100 V	B-334
		MUSN940GY	200 V	B-334	MUXN940GY	200 V	B-334
	60	MUSN960GL	100 V	B-336	MUXN960GL	100 V	B-336
		MUSN960GY	200 V	B-336	MUXN960GY	200 V	B-336
	90	MUSN990GL	100 V	B-338	MUXN990GL	100 V	B-338
		MUSN990GY	200 V	B-338	MUXN990GY	200 V	B-338

Standard gear head		High torque gear head	Right-angle gear head	Decimal gear head
Ball bearing	metal bearing			
MX6G□BA MX6G□B	MX6G□MA MX6G□M	—	—	MX6G10XB
MX7G□BA MX7G□B	MX7G□MA MX7G□M	—	—	MX7G10XB
MX8G□B	MX8G□M	—	—	MX8G10XB
MX9G□B	MX9G□M	—	MX9G□R	MX9G10XB
MZ9G□B	—	MR9G□B	MZ9G□R	MZ9G10XB
MY9G□B	—	MP9G□B		

* Refer to page B-444 for dimensions and permissible torque of high torque gear head.
 Refer to page B-446 for dimensions and permissible torque of right-angle gear head.
 Refer to page B-448 for dimensions of decimal gear head.

• Unit specifications

Size	Unit	Set configuration			
		Motor		Speed Controller	
		Model No.	Model No.	Model No.	Page
60 mm sq.	MUSN606GL	M61X6GD4L	100 V	DVUS606L	C-21
	MUXN606GL			DVUX606L	C-21
	MUSN606GY	M61X6GD4Y	200 V	DVUS606Y	C-21
	MUXN606GY			DVUX606Y	C-21

* When ordering the motor and speed controller as a set, place an order using the unit model number.

• Specifications

Size	Motor model No.	Number of pole (P)	Output (W)	Voltage (V)	Frequency (Hz)	Rating (min)	Variable speed range		Permissible Torque N·m (oz·in)		Starting current (A)	Starting torque N·m (oz·in)	Capacitor (μF) (rated voltage)
							Speed (r/min)	at					
								1200 r/min	90 r/min				
60 mm sq.	M61X6GD4L	4	6	100	50	Cont.	90 to 1400	0.032 (4.53)	0.025 (3.54)	0.30	0.037 (5.24)	2.5 (200 V)	
							90 to 1700	0.032 (4.53)	0.025 (3.54)	0.30			
	M61X6GD4Y	4	6	200	50	Cont.	90 to 1400	0.032 (4.53)	0.025 (3.54)	0.15	0.037 (5.24)	0.6 (400 V)	
							90 to 1700	0.032 (4.53)	0.025 (3.54)	0.15			

• Permissible torque at output shaft of gear head

Unit of permissible torque: upper (N·m) / lower (lb·in)

Applicable gear head Bearing	Reduction Ratio	Speed	Permissible Torque																					
			3	3.6	5	6	7.5	9	10	12.5	15	18	20	25	30	36	50	60	75	90	100	120	150	180
MX6G□BA (ball bearing)	1200 r/min	50 Hz	0.077 (0.68)	0.093 (0.82)	0.13 (1.15)	0.15 (1.33)	0.19 (1.68)	0.23 (2.04)	0.25 (2.21)	0.32 (2.83)	0.38 (3.36)	0.46 (4.07)	0.51 (4.51)	0.64 (5.66)	0.69 (6.11)	0.83 (7.35)	1.16 (10.3)	1.39 (12.3)	1.74 (15.4)	2.09 (18.5)	2.33 (20.6)	2.45 (21.7)	2.45 (21.7)	
		60 Hz	0.077 (0.68)	0.093 (0.82)	0.13 (1.15)	0.15 (1.33)	0.19 (1.68)	0.23 (2.04)	0.25 (2.21)	0.32 (2.83)	0.38 (3.36)	0.46 (4.07)	0.51 (4.51)	0.64 (5.66)	0.69 (6.11)	0.83 (7.35)	1.16 (10.3)	1.39 (12.3)	1.74 (15.4)	2.09 (18.5)	2.33 (20.6)	2.45 (21.7)	2.45 (21.7)	2.45 (21.7)
MX6G□B (ball bearing)	1200 r/min	50 Hz	0.077 (0.68)	0.093 (0.82)	0.13 (1.15)	0.15 (1.33)	0.19 (1.68)	0.23 (2.04)	0.25 (2.21)	0.32 (2.83)	0.38 (3.36)	0.46 (4.07)	0.51 (4.51)	0.64 (5.66)	0.69 (6.11)	0.83 (7.35)	1.16 (10.3)	1.39 (12.3)	1.74 (15.4)	2.09 (18.5)	2.33 (20.6)	2.45 (21.7)	2.45 (21.7)	2.45 (21.7)
		60 Hz	0.077 (0.68)	0.093 (0.82)	0.13 (1.15)	0.15 (1.33)	0.19 (1.68)	0.23 (2.04)	0.25 (2.21)	0.32 (2.83)	0.38 (3.36)	0.46 (4.07)	0.51 (4.51)	0.64 (5.66)	0.69 (6.11)	0.83 (7.35)	1.16 (10.3)	1.39 (12.3)	1.74 (15.4)	2.09 (18.5)	2.33 (20.6)	2.45 (21.7)	2.45 (21.7)	2.45 (21.7)
MX6G□MA (metal bearing)	90 r/min	50 Hz	0.06 (0.53)	0.07 (0.62)	0.10 (0.89)	0.12 (1.06)	0.15 (1.33)	0.18 (1.59)	0.20 (1.77)	0.25 (2.21)	0.30 (2.66)	0.36 (3.19)	0.40 (3.54)	0.50 (4.43)	0.54 (4.78)	0.65 (5.75)	0.90 (7.97)	1.08 (9.56)	1.35 (11.9)	1.62 (14.3)	1.81 (16.0)	2.17 (19.2)	2.45 (21.7)	2.45 (21.7)
		60 Hz	0.06 (0.53)	0.07 (0.62)	0.10 (0.89)	0.12 (1.06)	0.15 (1.33)	0.18 (1.59)	0.20 (1.77)	0.25 (2.21)	0.30 (2.66)	0.36 (3.19)	0.40 (3.54)	0.50 (4.43)	0.54 (4.78)	0.65 (5.75)	0.90 (7.97)	1.08 (9.56)	1.35 (11.9)	1.62 (14.3)	1.81 (16.0)	2.17 (19.2)	2.45 (21.7)	2.45 (21.7)
Rotational direction		Same as motor rotational direction											Reverse to motor rotational direction											

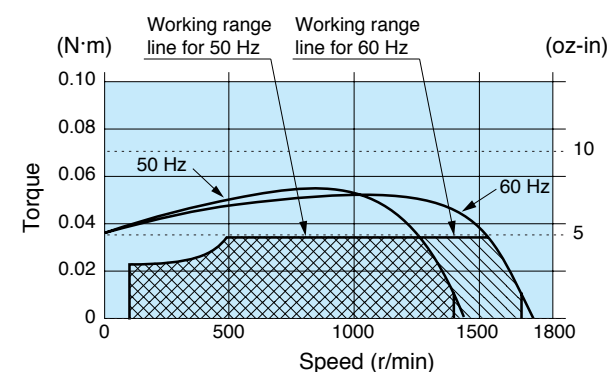
• Permissible torque at output shaft of gear head using decimal gear head

Unit of permissible torque: upper (N·m) / lower (lb·in)

Applicable gear head Bearing	Reduction Ratio	Speed	Permissible Torque																					
			200	250	300	360	500	600	750	900	1000	1200	1500	1800										
MX6G□BA (ball bearing)	1200 r/min	50 Hz	2.45 (21.7)	2.45 (21.7)	2.45 (21.7)	2.45 (21.7)	2.45 (21.7)	2.45 (21.7)	2.45 (21.7)	2.45 (21.7)	2.45 (21.7)	2.45 (21.7)	2.45 (21.7)	2.45 (21.7)	2.45 (21.7)	2.45 (21.7)	2.45 (21.7)	2.45 (21.7)	2.45 (21.7)	2.45 (21.7)	2.45 (21.7)	2.45 (21.7)	2.45 (21.7)	2.45 (21.7)
		60 Hz	2.45 (21.7)	2.45 (21.7)	2.45 (21.7)	2.45 (21.7)	2.45 (21.7)	2.45 (21.7)	2.45 (21.7)	2.45 (21.7)	2.45 (21.7)	2.45 (21.7)	2.45 (21.7)	2.45 (21.7)	2.45 (21.7)	2.45 (21.7)	2.45 (21.7)	2.45 (21.7)	2.45 (21.7)	2.45 (21.7)	2.45 (21.7)	2.45 (21.7)	2.45 (21.7)	2.45 (21.7)
MX6G□B (ball bearing)	1200 r/min	50 Hz	2.45 (21.7)	2.45 (21.7)	2.45 (21.7)	2.45 (21.7)	2.45 (21.7)	2.45 (21.7)	2.45 (21.7)	2.45 (21.7)	2.45 (21.7)	2.45 (21.7)	2.45 (21.7)	2.45 (21.7)	2.45 (21.7)	2.45 (21.7)	2.45 (21.7)	2.45 (21.7)	2.45 (21.7)	2.45 (21.7)	2.45 (21.7)	2.45 (21.7)	2.45 (21.7)	2.45 (21.7)
		60 Hz	2.45 (21.7)	2.45 (21.7)	2.45 (21.7)	2.45 (21.7)	2.45 (21.7)	2.45 (21.7)	2.45 (21.7)	2.45 (21.7)	2.45 (21.7)	2.45 (21.7)	2.45 (21.7)	2.45 (21.7)	2.45 (21.7)	2.45 (21.7)	2.45 (21.7)	2.45 (21.7)	2.45 (21.7)	2.45 (21.7)	2.45 (21.7)	2.45 (21.7)	2.45 (21.7)	2.45 (21.7)
MX6G□MA (metal bearing)	90 r/min	50 Hz	2.45 (21.7)	2.45 (21.7)	2.45 (21.7)	2.45 (21.7)	2.45 (21.7)	2.45 (21.7)	2.45 (21.7)	2.45 (21.7)	2.45 (21.7)	2.45 (21.7)	2.45 (21.7)	2.45 (21.7)	2.45 (21.7)	2.45 (21.7)	2.45 (21.7)	2.45 (21.7)	2.45 (21.7)	2.45 (21.7)	2.45 (21.7)	2.45 (21.7)	2.45 (21.7)	2.45 (21.7)
		60 Hz	2.45 (21.7)	2.45 (21.7)	2.45 (21.7)	2.45 (21.7)	2.45 (21.7)	2.45 (21.7)	2.45 (21.7)	2.45 (21.7)	2.45 (21.7)	2.45 (21.7)	2.45 (21.7)	2.45 (21.7)	2.45 (21.7)	2.45 (21.7)	2.45 (21.7)	2.45 (21.7)	2.45 (21.7)	2.45 (21.7)	2.45 (21.7)	2.45 (21.7)	2.45 (21.7)	2.45 (21.7)
Rotational direction		Same as motor rotational direction											Reverse to motor rotational direction											

* Please read your User's manual carefully so that you will understand the operation and safety precautions before attempting to operate the system.

Speed-torque characteristics



Connection diagram

* For the connection diagram showing wiring with the speed controller, refer to pages C-21 to C-26.

* Working range line

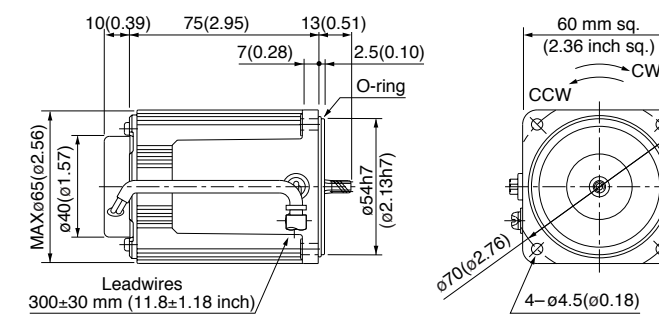
The working range line shows the working limit for the variable speed motor. The permissible torque should fall within the shaded portion. If you use the motor with the permissible torque exceeding the working range line (falling within the portion not shaded), the motor may be burned out due to a high temperature rise or the gear tooth may be damaged.

Motor (dimensions)

M61X6GD4L	4P 6 W 100 V
M61X6GD4Y	4P 6 W 200 V

Scale: 1/3, Unit: mm (inch)

Mass	Helical gear	Module	Number of teeth
0.71 kg (1.57 lb)		0.5	6

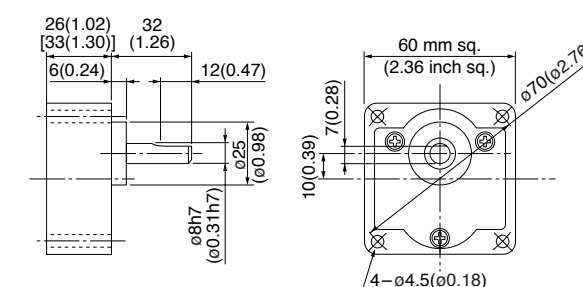


* The motor or speed controller is not sold singly. Place an order using the unit model number.

Gear head (dimensions)

MX6G□BA (ball bearing)	Mass 0.24 kg (0.53 lb): Output shaft D cut	MX6G□B (ball bearing)	Mass 0.3 kg (0.66 lb): Output shaft D cut
MX6G□MA (metal bearing)	Mass 0.24 kg (0.53 lb): Output shaft D cut	MX6G□M (metal bearing)	Mass 0.3 kg (0.66 lb): Output shaft D cut

Scale: 1/3, Unit: mm (inch)



* Figures in [] represent the dimensions of MX6G□B (M) (1/30 or larger reduction ratio).

(The model number of the gear head with a reduction ratio of 1/25 or smaller is MX6G□BA (MA).)

(Note) Because the dimensions may be subject to change, also check the determinate dimensions if the gear head is to be used for design.

• Unit specifications

Size	Unit	Set configuration			
		Motor		Speed Controller	
		Model No.	Model No.	Model No.	Page
70 mm sq.	MUSN715GL	M71X15GD4L	100 V	DVUS715L	C-21
	MUXN715GL			DVUX715L	C-21
	MUSN715GY	M71X15GD4Y	200 V	DVUS715Y	C-21
	MUXN715GY			DVUX715Y	C-21

* When ordering the motor and speed controller as a set, place an order using the unit model number.

• Specifications

Size	Motor model No.	Number of pole (P)	Output (W)	Voltage (V)	Frequency (Hz)	Rating (min)	Variable speed range		Permissible Torque N·m (oz·in)		Starting current (A)	Starting torque N·m (oz·in)	Capacitor (μF) (rated voltage)
							Speed (r/min)	at 1200 r/min	at 90 r/min				
							70 mm sq.	M71X15GD4L	4	15			
					60		90 to 1700	0.089 (12.6)	0.029 (4.11)	0.56	0.068 (9.63)		
	M71X15GD4Y	4	15	200	50	Cont.	90 to 1400	0.089 (12.6)	0.029 (4.11)	0.30	0.068 (9.63)	1.3 (400 V)	
					60		90 to 1700	0.089 (12.6)	0.029 (4.11)	0.28	0.068 (9.63)		

• Permissible torque at output shaft of gear head

Unit of permissible torque: upper (N·m) / lower (lb·in)

Applicable gear head Bearing	Reduction Ratio	Speed	Permissible Torque																					
			3	3.6	5	6	7.5	9	10	12.5	15	18	20	25	30	36	50	60	75	90	100	120	150	180
MX7G□BA (ball bearing)	1200 r/min	50 Hz	0.21 (1.86)	0.25 (2.21)	0.36 (3.19)	0.43 (3.81)	0.54 (4.78)	0.64 (5.66)	0.72 (6.37)	0.86 (7.61)	1.08 (9.56)	1.29 (11.4)	1.44 (12.8)	1.80 (15.9)	1.92 (17.0)	2.30 (20.4)	3.20 (28.3)	3.84 (34.0)	4.80 (42.5)	4.90 (43.4)	4.90 (43.4)	4.90 (43.4)	4.90 (43.4)	
		60 Hz	0.21 (1.86)	0.25 (2.21)	0.36 (3.19)	0.43 (3.81)	0.54 (4.78)	0.64 (5.66)	0.72 (6.37)	0.86 (7.61)	1.08 (9.56)	1.29 (11.4)	1.44 (12.8)	1.88 (16.6)	1.92 (17.0)	2.30 (20.4)	3.20 (28.3)	3.84 (34.0)	4.80 (42.5)	4.90 (43.4)	4.90 (43.4)	4.90 (43.4)	4.90 (43.4)	4.90 (43.4)
MX7G□B (ball bearing)	90 r/min	50 Hz	0.070 (0.62)	0.084 (0.74)	0.11 (0.97)	0.14 (1.24)	0.17 (1.50)	0.21 (1.86)	0.23 (2.04)	0.28 (2.48)	0.35 (3.10)	0.42 (3.72)	0.47 (4.16)	0.58 (5.13)	0.63 (5.58)	0.75 (6.64)	1.05 (9.29)	1.26 (11.2)	1.58 (14.0)	1.89 (16.7)	2.11 (18.7)	2.53 (22.4)	3.16 (28.0)	3.79 (33.5)
		60 Hz	0.070 (0.62)	0.084 (0.74)	0.11 (0.97)	0.14 (1.24)	0.17 (1.50)	0.21 (1.86)	0.23 (2.04)	0.28 (2.48)	0.35 (3.10)	0.42 (3.72)	0.47 (4.16)	0.58 (5.13)	0.63 (5.58)	0.75 (6.64)	1.05 (9.29)	1.26 (11.2)	1.58 (14.0)	1.89 (16.7)	2.11 (18.7)	2.53 (22.4)	3.16 (28.0)	3.79 (33.5)
MX7G□MA (metal bearing)	Same as motor rotational direction												Reverse to motor rotational direction											
MX7G□M (metal bearing)	Rotational direction																							

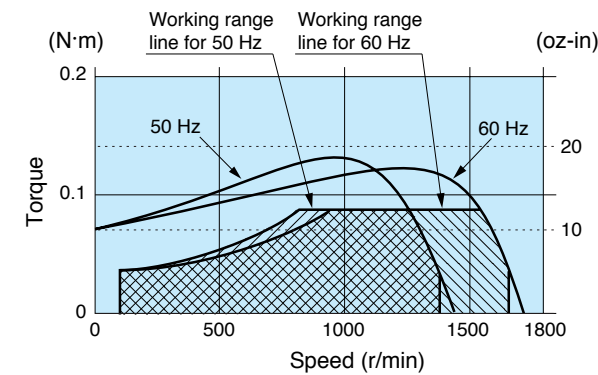
• Permissible torque at output shaft of gear head using decimal gear head

Unit of permissible torque: upper (N·m) / lower (lb·in)

Applicable gear head Bearing	Decimal gear head	Reduction Ratio	Speed	Permissible Torque																				
				200	250	300	360	500	600	750	900	1000	1200	1500	1800									
MX7G□BA (ball bearing)	MX7G10XB	1200 r/min	50 Hz	4.90 (43.4)	4.90 (43.4)	4.90 (43.4)	4.90 (43.4)	4.90 (43.4)	4.90 (43.4)	4.90 (43.4)	4.90 (43.4)	4.90 (43.4)	4.90 (43.4)	4.90 (43.4)	4.90 (43.4)	4.90 (43.4)	4.90 (43.4)	4.90 (43.4)	4.90 (43.4)	4.90 (43.4)	4.90 (43.4)	4.90 (43.4)	4.90 (43.4)	
			60 Hz	4.90 (43.4)	4.90 (43.4)	4.90 (43.4)	4.90 (43.4)	4.90 (43.4)	4.90 (43.4)	4.90 (43.4)	4.90 (43.4)	4.90 (43.4)	4.90 (43.4)	4.90 (43.4)	4.90 (43.4)	4.90 (43.4)	4.90 (43.4)	4.90 (43.4)	4.90 (43.4)	4.90 (43.4)	4.90 (43.4)	4.90 (43.4)	4.90 (43.4)	4.90 (43.4)
MX7G□B (ball bearing)	90 r/min	50 Hz	3.77 (33.4)	4.71 (41.7)	4.90 (43.4)	4.90 (43.4)	4.90 (43.4)	4.90 (43.4)	4.90 (43.4)	4.90 (43.4)	4.90 (43.4)	4.90 (43.4)	4.90 (43.4)	4.90 (43.4)	4.90 (43.4)	4.90 (43.4)	4.90 (43.4)	4.90 (43.4)	4.90 (43.4)	4.90 (43.4)	4.90 (43.4)	4.90 (43.4)	4.90 (43.4)	
		60 Hz	3.77 (33.4)	4.71 (41.7)	4.90 (43.4)	4.90 (43.4)	4.90 (43.4)	4.90 (43.4)	4.90 (43.4)	4.90 (43.4)	4.90 (43.4)	4.90 (43.4)	4.90 (43.4)	4.90 (43.4)	4.90 (43.4)	4.90 (43.4)	4.90 (43.4)	4.90 (43.4)	4.90 (43.4)	4.90 (43.4)	4.90 (43.4)	4.90 (43.4)	4.90 (43.4)	
MX7G□MA (metal bearing)	Same as motor rotational direction												Reverse to motor rotational direction											
MX7G□M (metal bearing)	Rotational direction																							

* Please read your User's manual carefully so that you will understand the operation and safety precautions before attempting to operate the system.

Speed-torque characteristics



Connection diagram

* For the connection diagram showing wiring with the speed controller, refer to pages C-21 to C-26.

* Working range line

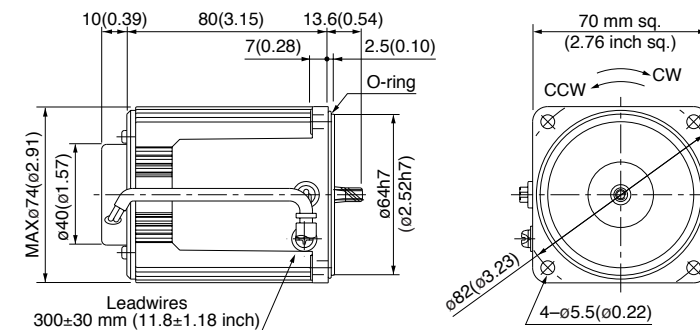
The working range line shows the working limit for the variable speed motor. The permissible torque should fall within the shaded portion. If you use the motor with the permissible torque exceeding the working range line (falling within the portion not shaded), the motor may be burned out due to a high temperature rise or the gear tooth may be damaged.

Motor (dimensions)

M71X15GD4L	4P	15 W	100 V
M71X15GD4Y	4P	15 W	200 V

Scale: 1/3, Unit: mm (inch)

Mass	Helical gear	Module	Number of teeth
1.1 kg (2.43 lb)		0.5	7



* The motor or speed controller is not sold singly. Place an order using the unit model number.

Gear head (dimensions)

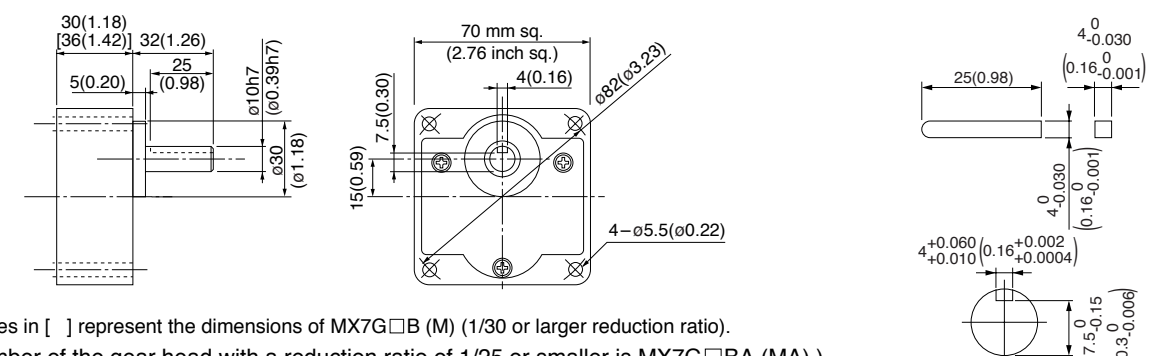
MX7G□BA (ball bearing)	Mass 0.38 kg (0.84 lb)
MX7G□MA (metal bearing)	Mass 0.38 kg (0.84 lb)

Scale: 1/3, Unit: mm (inch)

MX7G□B (ball bearing)	Mass 0.45 kg (0.99 lb)
MX7G□M (metal bearing)	Mass 0.45 kg (0.99 lb)

Key and keyway (dimensions) [attachment]

MX7G□BA(B)	MX7G□MA(M)
------------	------------



* Figures in [] represent the dimensions of MX7G□B (M) (1/30 or larger reduction ratio).

(The model number of the gear head with a reduction ratio of 1/25 or smaller is MX7G□BA (MA).)

(Note) Because the dimensions may be subject to change, also check the determinate dimensions if the gear head is to be used for design.

• Unit specifications

Size	Unit	Set configuration			
		Motor		Speed Controller	
		Model No.	Model No.	Model No.	Page
80 mm sq.	MUSN825GL	M81X25GD4L	100 V	DVUS825L	C-21
	MUXN825GL			DVUX825L	C-21
	MUSN825GY	M81X25GD4Y	200 V	DVUS825Y	C-21
	MUXN825GY			DVUX825Y	C-21

* When ordering the motor and speed controller as a set, place an order using the unit model number.

• Specifications

Size	Motor model No.	Number of pole (P)	Output (W)	Voltage (V)	Frequency (Hz)	Rating (min)	Variable speed range		Permissible Torque N·m (oz·in)		Starting current (A)	Starting torque N·m (oz·in)	Capacitor (μF) (rated voltage)
							Speed (r/min)	at					
								1200 r/min	90 r/min				
80 mm sq.	M81X25GD4L	4	25	100	50	Cont.	90 to 1400	0.14 (19.8)	0.039 (5.52)	1.0	0.16 (22.7)	8 (200 V)	
							90 to 1700	0.14 (19.8)	0.039 (5.52)	1.0	0.16 (22.7)		
	M81X25GD4Y	4	25	200	50	Cont.	90 to 1400	0.14 (19.8)	0.039 (5.52)	0.5	0.16 (22.7)	2 (400 V)	
							90 to 1700	0.14 (19.8)	0.039 (5.52)	0.5	0.16 (22.7)		

• Permissible torque at output shaft of gear head

Unit of permissible torque: upper (N·m) / lower (lb·in)

Applicable gear head Bearing	Reduction Ratio	Speed	Permissible Torque																					
			3	3.6	5	6	7.5	9	10	12.5	15	18	20	25	30	36	50	60	75	90	100	120	150	180
MX8G□B (ball bearing)	1200 r/min	50 Hz	0.34 (3.01)	0.40 (3.54)	0.56 (4.96)	0.68 (6.02)	0.85 (7.52)	1.02 (9.03)	1.13 (10.0)	1.41 (12.5)	1.70 (15.0)	2.04 (18.1)	2.26 (20.0)	2.83 (25.0)	3.06 (27.1)	3.67 (32.5)	5.10 (45.1)	6.12 (54.2)	7.65 (67.7)	7.84 (69.4)	7.84 (69.4)	7.84 (69.4)	7.84 (69.4)	7.84 (69.4)
		60 Hz	0.34 (3.01)	0.40 (3.54)	0.56 (4.96)	0.68 (6.02)	0.85 (7.52)	1.02 (9.03)	1.13 (10.0)	1.41 (12.5)	1.70 (15.0)	2.04 (18.1)	2.26 (20.0)	2.83 (25.0)	3.06 (27.1)	3.67 (32.5)	5.10 (45.1)	6.12 (54.2)	7.65 (67.7)	7.84 (69.4)	7.84 (69.4)	7.84 (69.4)	7.84 (69.4)	7.84 (69.4)
MX8G□M (metal bearing)	90 r/min	50 Hz	0.094 (0.83)	0.11 (0.97)	0.15 (1.33)	0.18 (1.59)	0.23 (2.04)	0.28 (2.48)	0.31 (2.74)	0.39 (3.45)	0.47 (4.16)	0.56 (4.96)	0.63 (5.58)	0.78 (6.90)	0.84 (7.43)	1.01 (8.94)	1.41 (12.5)	1.69 (15.0)	2.12 (18.8)	2.54 (22.5)	2.83 (25.0)	3.39 (30.0)	4.24 (37.5)	5.09 (45.1)
		60 Hz	0.094 (0.83)	0.11 (0.97)	0.15 (1.33)	0.18 (1.59)	0.23 (2.04)	0.28 (2.48)	0.31 (2.74)	0.39 (3.45)	0.47 (4.16)	0.56 (4.96)	0.63 (5.58)	0.78 (6.90)	0.84 (7.43)	1.01 (8.94)	1.41 (12.5)	1.69 (15.0)	2.12 (18.8)	2.54 (22.5)	2.83 (25.0)	3.39 (30.0)	4.24 (37.5)	5.09 (45.1)
Rotational direction		Same as motor rotational direction												Reverse to motor rotational direction										

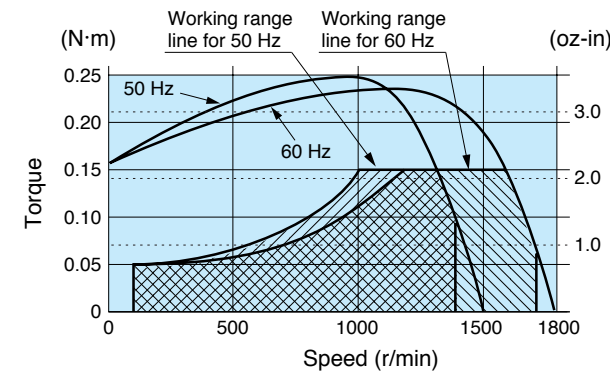
• Permissible torque at output shaft of gear head using decimal gear head

Unit of permissible torque: upper (N·m) / lower (lb·in)

Applicable gear head Bearing	Decimal gear head	Reduction Ratio	Speed	Permissible Torque																					
				200	250	300	360	500	600	750	900	1000	1200	1500	1800										
MX8G□B (ball bearing)	MX8G10XB	1200 r/min	50 Hz	7.84 (69.4)	7.84 (69.4)	7.84 (69.4)	7.84 (69.4)	7.84 (69.4)	7.84 (69.4)	7.84 (69.4)	7.84 (69.4)	7.84 (69.4)	7.84 (69.4)	7.84 (69.4)	7.84 (69.4)	7.84 (69.4)	7.84 (69.4)	7.84 (69.4)	7.84 (69.4)	7.84 (69.4)	7.84 (69.4)	7.84 (69.4)	7.84 (69.4)	7.84 (69.4)	
			60 Hz	7.84 (69.4)	7.84 (69.4)	7.84 (69.4)	7.84 (69.4)	7.84 (69.4)	7.84 (69.4)	7.84 (69.4)	7.84 (69.4)	7.84 (69.4)	7.84 (69.4)	7.84 (69.4)	7.84 (69.4)	7.84 (69.4)	7.84 (69.4)	7.84 (69.4)	7.84 (69.4)	7.84 (69.4)	7.84 (69.4)	7.84 (69.4)	7.84 (69.4)	7.84 (69.4)	7.84 (69.4)
MX8G□M (metal bearing)	MX8G10XB	90 r/min	50 Hz	5.07 (44.9)	6.34 (56.1)	6.90 (61.1)	7.84 (69.4)	7.84 (69.4)	7.84 (69.4)	7.84 (69.4)	7.84 (69.4)	7.84 (69.4)	7.84 (69.4)	7.84 (69.4)	7.84 (69.4)	7.84 (69.4)	7.84 (69.4)	7.84 (69.4)	7.84 (69.4)	7.84 (69.4)	7.84 (69.4)	7.84 (69.4)	7.84 (69.4)	7.84 (69.4)	7.84 (69.4)
			60 Hz	5.07 (44.9)	6.34 (56.1)	6.90 (61.1)	7.84 (69.4)	7.84 (69.4)	7.84 (69.4)	7.84 (69.4)	7.84 (69.4)	7.84 (69.4)	7.84 (69.4)	7.84 (69.4)	7.84 (69.4)	7.84 (69.4)	7.84 (69.4)	7.84 (69.4)	7.84 (69.4)	7.84 (69.4)	7.84 (69.4)	7.84 (69.4)	7.84 (69.4)	7.84 (69.4)	7.84 (69.4)
Rotational direction		Same as motor rotational direction												Reverse to motor rotational direction											

* Please read your User's manual carefully so that you will understand the operation and safety precautions before attempting to operate the system.

Speed-torque characteristics



Connection diagram

* For the connection diagram showing wiring with the speed controller, refer to pages C-21 to C-26.

* Working range line

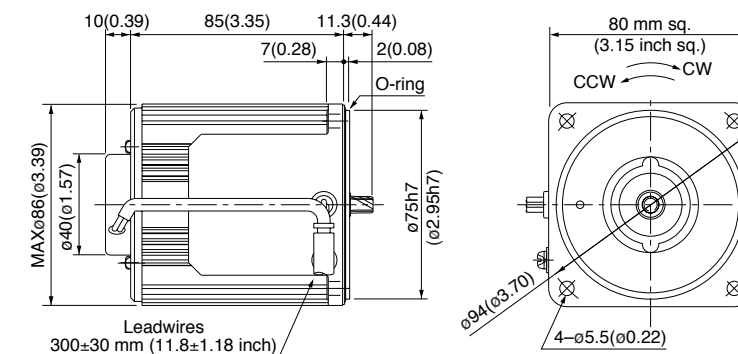
The working range line shows the working limit for the variable speed motor. The permissible torque should fall within the shaded portion. If you use the motor with the permissible torque exceeding the working range line (falling within the portion not shaded), the motor may be burned out due to a high temperature rise or the gear tooth may be damaged.

Motor (dimensions)

M81X25GD4L	4P	25 W	100 V
M81X25GD4Y	4P	25 W	200 V

Scale: 1/3, Unit: mm (inch)

Mass	Helical gear	Module	Number of teeth
1.5 kg (3.31 lb)		0.5	9



* The motor or speed controller is not sold singly. Place an order using the unit model number.

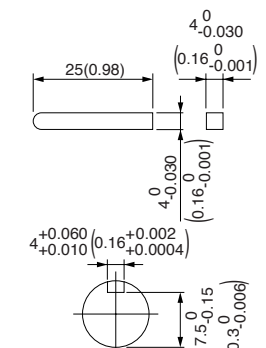
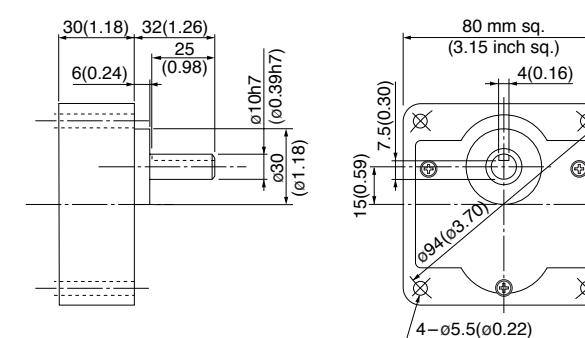
Gear head (dimensions)

MX8G□B (ball bearing)	Mass 0.6 kg (1.32 lb)	MX8G□M (metal bearing)	Mass 0.6 kg (1.32 lb)
-----------------------	-----------------------	------------------------	-----------------------

Scale: 1/3, Unit: mm (inch)

Key and keyway (dimensions) [attachment]

MX8G□B(M)



(Note) Because the dimensions may be subject to change, also check the determinate dimensions if the gear head is to be used for design.

Unit specifications

Size	Unit	Set configuration			
		Motor		Speed Controller	
		Model No.	Model No.	Model No.	Page
90 mm sq.	MUSN940GL	M91X40GD4L	100 V	DVUS940L	C-21
	MUXN940GL			DVUX940L	C-21
	MUSN940GY	M91X40GD4Y	200 V	DVUS940Y	C-21
	MUXN940GY			DVUX940Y	C-21

* When ordering the motor and speed controller as a set, place an order using the unit model number.

Specifications

Size	Motor model No.	Number of pole (P)	Output (W)	Voltage (V)	Frequency (Hz)	Rating (min)	Variable speed range		Permissible Torque N·m (oz·in)		Starting current (A)	Starting torque N·m (oz·in)	Capacitor (μF) (rated voltage)
							Speed (r/min)	at 1200 r/min	at 90 r/min	at 1200 r/min			
90 mm sq.	M91X40GD4L	4	40	100	50	Cont.	90 to 1400	0.30 (42.5)	0.049 (6.94)	1.6	0.25 (35.4)	12 (200 V)	
							90 to 1700	0.24 (34.0)	0.049 (6.94)	1.6	0.25 (35.4)		
	M91X40GD4Y	4	40	200	50	Cont.	90 to 1400	0.30 (42.5)	0.049 (6.94)	0.8	0.25 (35.4)	3 (400 V)	
							90 to 1700	0.24 (34.0)	0.049 (6.94)	0.8	0.25 (35.4)		

Permissible torque at output shaft of gear head

Unit of permissible torque: upper (N·m) / lower (lb·in)

Applicable gear head Bearing	Reduction Ratio	Speed	Permissible Torque																					
			3	3.6	5	6	7.5	9	10	12.5	15	18	20	25	30	36	50	60	75	90	100	120	150	180
MX9G□B (ball bearing)	1200 r/min	50 Hz	0.72 (6.37)	0.87 (7.70)	1.21 (10.7)	1.45 (12.8)	1.82 (16.1)	2.18 (19.3)	2.43 (21.5)	3.03 (26.8)	3.64 (32.2)	4.37 (38.7)	4.86 (43.0)	6.07 (53.7)	6.54 (57.9)	7.84 (69.4)	9.80 (86.7)	9.80 (86.7)	9.80 (86.7)	9.80 (86.7)	9.80 (86.7)	9.80 (86.7)	9.80 (86.7)	9.80 (86.7)
		60 Hz	0.58 (5.13)	0.69 (6.11)	0.97 (8.59)	1.16 (10.3)	1.45 (12.8)	1.74 (15.4)	1.92 (17.0)	2.42 (21.4)	2.91 (25.8)	3.49 (30.9)	3.88 (34.3)	4.85 (42.9)	5.23 (46.3)	6.26 (55.4)	8.70 (77.0)	9.80 (86.7)	9.80 (86.7)	9.80 (86.7)	9.80 (86.7)	9.80 (86.7)	9.80 (86.7)	9.80 (86.7)
MX9G□M (metal bearing)	90 r/min	50 Hz	0.11 (0.97)	0.14 (1.24)	0.19 (1.68)	0.23 (2.04)	0.29 (2.57)	0.35 (3.10)	0.39 (3.45)	0.49 (4.34)	0.59 (5.22)	0.71 (6.28)	0.79 (6.99)	0.99 (8.76)	1.06 (9.38)	1.28 (11.3)	1.78 (15.8)	2.13 (18.9)	2.67 (23.6)	3.20 (28.3)	3.56 (31.5)	4.27 (37.8)	5.34 (47.3)	6.40 (56.6)
		60 Hz	0.11 (0.97)	0.14 (1.24)	0.19 (1.68)	0.23 (2.04)	0.29 (2.57)	0.35 (3.10)	0.39 (3.45)	0.49 (4.34)	0.59 (5.22)	0.71 (6.28)	0.79 (6.99)	0.99 (8.76)	1.06 (9.38)	1.28 (11.3)	1.78 (15.8)	2.13 (18.9)	2.67 (23.6)	3.20 (28.3)	3.56 (31.5)	4.27 (37.8)	5.34 (47.3)	6.40 (56.6)
Rotational direction		Same as motor rotational direction												Reverse to motor rotational direction										

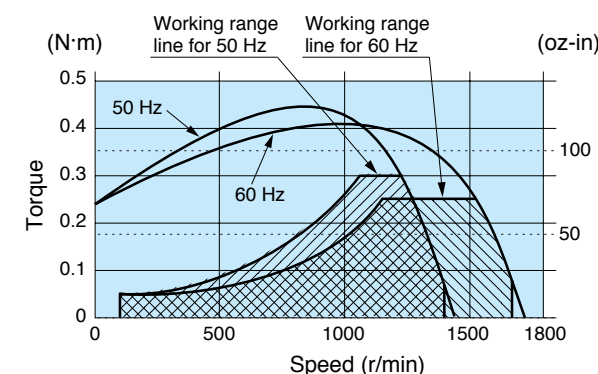
Permissible torque at output shaft of gear head using decimal gear head

Unit of permissible torque: upper (N·m) / lower (lb·in)

Applicable gear head Bearing	Decimal gear head	Reduction Ratio	Speed	Permissible Torque																				
				200	250	300	360	500	600	750	900	1000	1200	1500	1800									
MX9G□B (ball bearing)	MX9G10XB	1200 r/min	50 Hz	9.80 (86.7)	9.80 (86.7)	9.80 (86.7)	9.80 (86.7)	9.80 (86.7)	9.80 (86.7)	9.80 (86.7)	9.80 (86.7)	9.80 (86.7)	9.80 (86.7)	9.80 (86.7)	9.80 (86.7)	9.80 (86.7)	9.80 (86.7)	9.80 (86.7)	9.80 (86.7)	9.80 (86.7)	9.80 (86.7)	9.80 (86.7)	9.80 (86.7)	9.80 (86.7)
			60 Hz	9.80 (86.7)	9.80 (86.7)	9.80 (86.7)	9.80 (86.7)	9.80 (86.7)	9.80 (86.7)	9.80 (86.7)	9.80 (86.7)	9.80 (86.7)	9.80 (86.7)	9.80 (86.7)	9.80 (86.7)	9.80 (86.7)	9.80 (86.7)	9.80 (86.7)	9.80 (86.7)	9.80 (86.7)	9.80 (86.7)	9.80 (86.7)	9.80 (86.7)	9.80 (86.7)
MX9G□M (metal bearing)	MX9G10XB	90 r/min	50 Hz	6.37 (56.4)	7.96 (70.4)	8.67 (76.7)	9.80 (86.7)	9.80 (86.7)	9.80 (86.7)	9.80 (86.7)	9.80 (86.7)	9.80 (86.7)	9.80 (86.7)	9.80 (86.7)	9.80 (86.7)	9.80 (86.7)	9.80 (86.7)	9.80 (86.7)	9.80 (86.7)	9.80 (86.7)	9.80 (86.7)	9.80 (86.7)	9.80 (86.7)	9.80 (86.7)
			60 Hz	6.37 (56.4)	7.96 (70.4)	8.67 (76.7)	9.80 (86.7)	9.80 (86.7)	9.80 (86.7)	9.80 (86.7)	9.80 (86.7)	9.80 (86.7)	9.80 (86.7)	9.80 (86.7)	9.80 (86.7)	9.80 (86.7)	9.80 (86.7)	9.80 (86.7)	9.80 (86.7)	9.80 (86.7)	9.80 (86.7)	9.80 (86.7)	9.80 (86.7)	9.80 (86.7)
Rotational direction		Same as motor rotational direction												Reverse to motor rotational direction										

* Please read your User's manual carefully so that you will understand the operation and safety precautions before attempting to operate the system.

Speed-torque characteristics



Connection diagram

* For the connection diagram showing wiring with the speed controller, refer to pages C-21 to C-26.

* Working range line

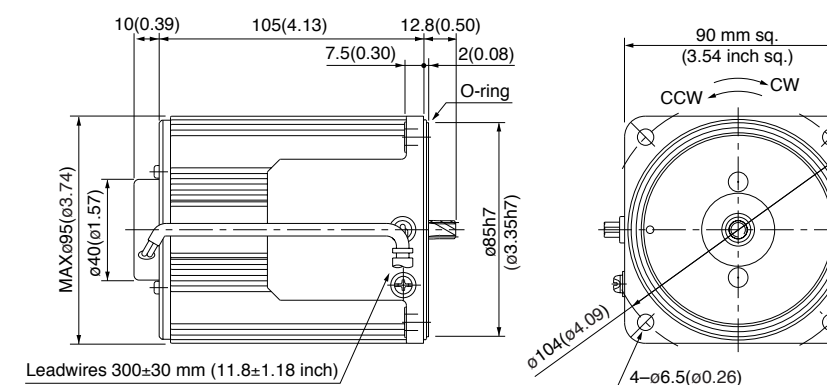
The working range line shows the working limit for the variable speed motor. The permissible torque should fall within the shaded portion. If you use the motor with the permissible torque exceeding the working range line (falling within the portion not shaded), the motor may be burned out due to a high temperature rise or the gear tooth may be damaged.

Motor (dimensions)

Scale: 1/3, Unit: mm (inch)

M91X40GD4L 4P 40 W 100 V
M91X40GD4Y 4P 40 W 200 V

Mass 2.4 kg 5.29 lb
Helical gear
Module 0.55
Number of teeth 9



* The motor or speed controller is not sold singly. Place an order using the unit model number.

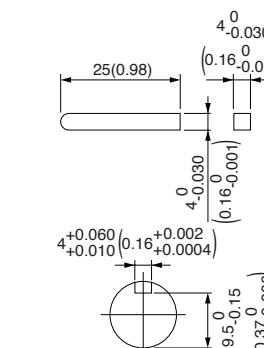
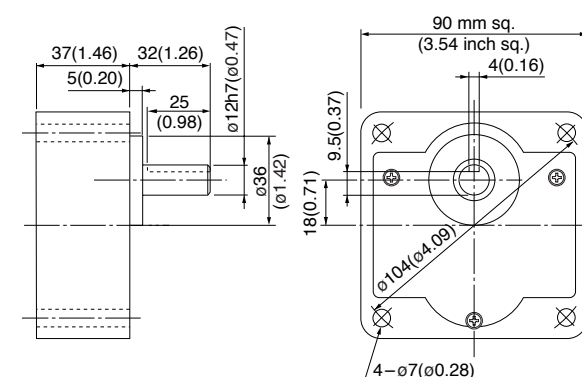
Gear head (dimensions)

Scale: 1/3, Unit: mm (inch)

MX9G□B (ball bearing) Mass 0.8 kg (1.76 lb) MX9G□M (metal bearing) Mass 0.8 kg (1.76 lb)

Key and keyway (dimensions) [attachment]

MX9G□B(M)



(Note) Because the dimensions may be subject to change, also check the determinate dimensions if the gear head is to be used for design.

• Unit specifications

Size	Unit	Set configuration			
		Motor		Speed Controller	
		Model No.	Model No.	Model No.	Page
90 mm sq.	MUSN960GL	M91Z60GD4L	100 V	DVUS960L	C-21
	MUXN960GL			DVUX960L	C-21
	MUSN960GY	M91Z60GD4Y	200 V	DVUS960Y	C-21
	MUXN960GY			DVUX960Y	C-21

* When ordering the motor and speed controller as a set, place an order using the unit model number.

• Specifications

Size	Motor model No.	Number of pole (P)	Output (W)	Voltage (V)	Frequency (Hz)	Rating (min)	Variable speed range		Permissible Torque N·m (oz·in)		Starting current (A)	Starting torque N·m (oz·in)	Capacitor (μF) (rated voltage)
							Speed (r/min)	at 1200 r/min	at 90 r/min	at 1200 r/min			
90 mm sq.	M91Z60GD4L	4	60	100	50	Cont.	90 to 1400	0.43 (60.9)	0.078 (11.0)	2.3	0.46 (65.1)	20 (200 V)	
							90 to 1700	0.36 (51.0)	0.078 (11.0)	2.4	0.46 (65.1)		
	M91Z60GD4Y	4	60	200	50	Cont.	90 to 1400	0.43 (60.9)	0.078 (11.0)	1.2	0.46 (65.1)	5 (400 V)	
							90 to 1700	0.36 (51.0)	0.078 (11.0)	1.2	0.46 (65.1)		

• Permissible torque at output shaft of gear head

Unit of permissible torque: upper (N·m) / lower (lb·in)

Applicable gear head Bearing	Reduction Ratio	Speed	Speed																						
			3	3.6	5	6	7.5	9	10	12.5	15	18	20	25	30	36	50	60	75	90	100	120	150	180	200
MZ9G□B (ball bearing / hinge not attached)	1200 r/min	50 Hz	0.98 (8.67)	1.17 (10.4)	1.57 (13.9)	1.87 (16.6)	2.35 (20.8)	2.80 (24.8)	3.14 (27.8)	3.92 (34.7)	4.70 (41.6)	5.60 (49.6)	6.27 (55.5)	7.55 (66.8)	9.01 (79.8)	10.8 (95.6)	15.2 (135)	18.1 (160)	19.6 (173)	19.6 (173)	19.6 (173)	19.6 (173)	19.6 (173)	19.6 (173)	19.6 (173)
		60 Hz	0.82 (7.26)	0.98 (8.67)	1.31 (11.6)	1.57 (13.9)	1.96 (17.4)	2.35 (20.8)	2.62 (23.2)	3.28 (29.0)	3.92 (34.7)	4.70 (41.6)	5.29 (46.8)	6.32 (55.9)	7.55 (66.8)	9.11 (80.6)	12.7 (112)	15.2 (135)	19.0 (168)	19.6 (173)	19.6 (173)	19.6 (173)	19.6 (173)	19.6 (173)	19.6 (173)
MY9G□B (ball bearing / hinge attached)	90 r/min	50 Hz	0.18 (1.59)	0.22 (1.95)	0.31 (2.74)	0.37 (3.27)	0.47 (4.16)	0.56 (4.96)	0.63 (5.58)	0.70 (6.20)	0.84 (7.43)	1.00 (8.85)	1.12 (9.91)	1.40 (12.4)	1.68 (14.9)	1.81 (16.0)	2.50 (22.1)	3.00 (26.6)	3.75 (33.2)	4.50 (39.8)	5.00 (44.3)	6.00 (53.1)	7.50 (66.4)	9.00 (79.7)	10.0 (88.5)
		60 Hz	0.18 (1.59)	0.22 (1.95)	0.31 (2.74)	0.37 (3.27)	0.47 (4.16)	0.56 (4.96)	0.63 (5.58)	0.70 (6.20)	0.84 (7.43)	1.00 (8.85)	1.12 (9.91)	1.40 (12.4)	1.68 (14.9)	1.81 (16.0)	2.50 (22.1)	3.00 (26.6)	3.75 (33.2)	4.50 (39.8)	5.00 (44.3)	6.00 (53.1)	7.50 (66.4)	9.00 (79.7)	10.0 (88.5)
Rotational direction		Same as motor rotational direction										Reverse to motor rotational direction													

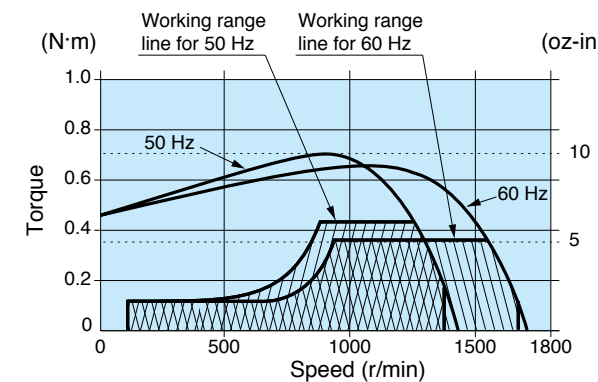
• Permissible torque at output shaft of gear head using decimal gear head

Unit of permissible torque: upper (N·m) / lower (lb·in)

Applicable gear head Bearing	Decimal gear head	Reduction Ratio	Speed	Speed																				
				250	300	360	500	600	750	900	1000	1200	1500	1800	2000									
MZ9G□B (ball bearing / hinge not attached)	MZ9G10XB	1200 r/min	50 Hz	19.6 (173)	19.6 (173)	19.6 (173)	19.6 (173)	19.6 (173)	19.6 (173)	19.6 (173)	19.6 (173)	19.6 (173)	19.6 (173)	19.6 (173)	19.6 (173)	19.6 (173)	19.6 (173)	19.6 (173)	19.6 (173)	19.6 (173)	19.6 (173)	19.6 (173)	19.6 (173)	19.6 (173)
			60 Hz	19.6 (173)	19.6 (173)	19.6 (173)	19.6 (173)	19.6 (173)	19.6 (173)	19.6 (173)	19.6 (173)	19.6 (173)	19.6 (173)	19.6 (173)	19.6 (173)	19.6 (173)	19.6 (173)	19.6 (173)	19.6 (173)	19.6 (173)	19.6 (173)	19.6 (173)	19.6 (173)	19.6 (173)
MY9G□B (ball bearing / hinge attached)	MZ9G10XB	90 r/min	50 Hz	11.5 (102)	13.8 (122)	14.9 (132)	19.6 (173)	19.6 (173)	19.6 (173)	19.6 (173)	19.6 (173)	19.6 (173)	19.6 (173)	19.6 (173)	19.6 (173)	19.6 (173)	19.6 (173)	19.6 (173)	19.6 (173)	19.6 (173)	19.6 (173)	19.6 (173)	19.6 (173)	19.6 (173)
			60 Hz	11.5 (102)	13.8 (122)	14.9 (132)	19.6 (173)	19.6 (173)	19.6 (173)	19.6 (173)	19.6 (173)	19.6 (173)	19.6 (173)	19.6 (173)	19.6 (173)	19.6 (173)	19.6 (173)	19.6 (173)	19.6 (173)	19.6 (173)	19.6 (173)	19.6 (173)	19.6 (173)	19.6 (173)
Rotational direction		Same as motor rotational direction																						

* Please read your User's manual carefully so that you will understand the operation and safety precautions before attempting to operate the system.

Speed-torque characteristics



Connection diagram

* For the connection diagram showing wiring with the speed controller, refer to pages C-21 to C-26.

* Working range line

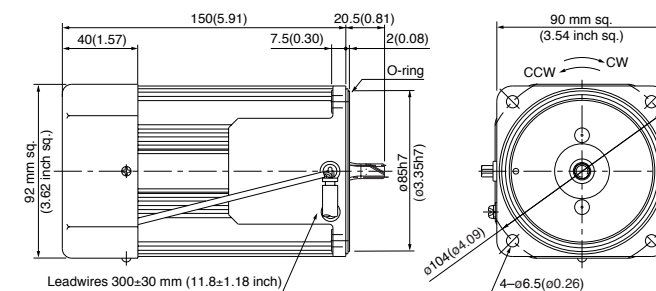
The working range line shows the working limit for the variable speed motor. The permissible torque should fall within the shaded portion. If you use the motor with the permissible torque exceeding the working range line (falling within the portion not shaded), the motor may be burned out due to a high temperature rise or the gear tooth may be damaged.

Motor (dimensions)

M91Z60GD4L 4P 60 W 100 V (with fan)
M91Z60GD4Y 4P 60 W 200 V (with fan)

Scale: 1/4, Unit: mm

Mass	Helical gear	Module	Number of teeth
2.7 kg 5.95 lb		0.6	9



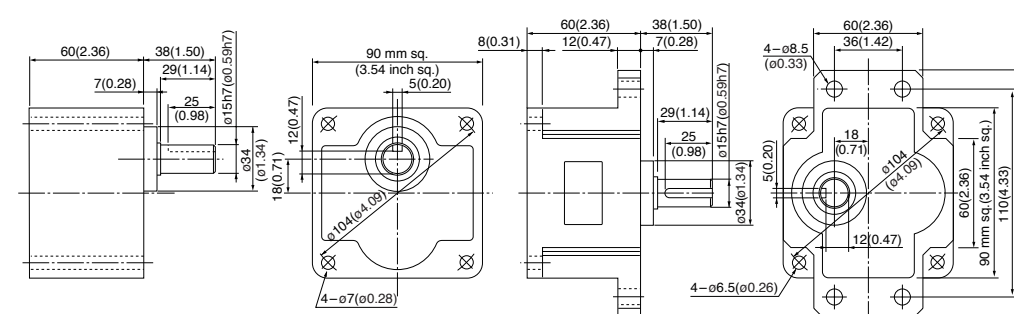
* The motor or speed controller is not sold singly. Place an order using the unit model number.

Gear head (dimensions)

Scale: 1/4, Unit: mm (inch)

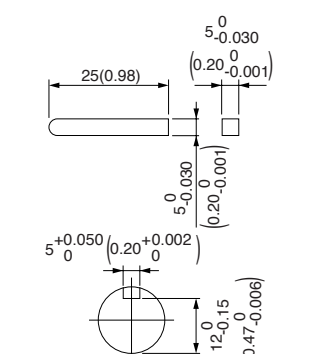
MZ9G□B (ball bearing / hinge not attached)
Mass 1.4 kg (3.09 lb)

MY9G□B (ball bearing / hinge attached)
Mass 1.4 kg (3.09 lb)



Key and keyway (dimensions) [attachment]

MZ9G□B
MY9G□B



Note) MZ / MY is available for a gear head of either type.

(Note) Because the dimensions may be subject to change, also check the determinate dimensions if the gear head is to be used for design.

• Unit specifications

Size	Unit	Set configuration			
		Motor		Speed Controller	
	Model No.	Model No.	Voltage	Model No.	Page
90 mm sq.	MUSN990GL	M91Z90GD4L	100 V	DVUS990L	C-21
	MUXN990GL			DVUX990L	C-21
	MUSN990GY	M91Z90GD4Y	200 V	DVUS990Y	C-21
	MUXN990GY			DVUX990Y	C-21

* When ordering the motor and speed controller as a set, place an order using the unit model number.

• Specifications

Size	Motor model No.	Number of pole (P)	Output (W)	Voltage (V)	Frequency (Hz)	Rating (min)	Variable speed range		Permissible Torque N·m (oz·in)		Starting current (A)	Starting torque N·m (oz·in)	Capacitor (μF) (rated voltage)
							Speed (r/min)	at 1200 r/min	at 90 r/min				
90 mm sq.	M91Z90GD4L	4	90	100	50	Cont.	90 to 1400	0.59 (83.6)	0.25 (35.4)	2.3	0.53 (75.1)	25 (200 V)	
							90 to 1700	0.54 (76.5)	0.25 (35.4)	2.2	0.56 (79.3)		
	M91Z90GD4Y	4	90	200	50	Cont.	90 to 1400	0.59 (83.6)	0.25 (35.4)	1.1	0.57 (80.7)	6.2 (375 V)	
							90 to 1700	0.54 (76.5)	0.25 (35.4)	1.1	0.59 (83.6)		

• The 90 W models contain a thermal protector to prevent burnout for motor.

• Permissible torque at output shaft of gear head

Unit of permissible torque: upper (N·m) / lower (lb·in)

Applicable gear head Bearing	Reduction Ratio	Speed	Speed																							
			3	3.6	5	6	7.5	9	10	12.5	15	18	20	25	30	36	50	60	75	90	100	120	150	180	200	
MZ9G□B (ball bearing / hinge not attached)	1200 r/min	50 Hz	1.43 (12.7)	1.71 (15.1)	2.38 (21.1)	2.86 (25.3)	3.57 (31.6)	4.29 (38.0)	4.77 (42.2)	5.36 (47.4)	6.43 (56.9)	7.72 (68.3)	8.58 (75.9)	10.97 (97.1)	12.8 (113)	13.7 (121)	19.2 (170)	19.6 (174)	19.6 (174)	19.6 (174)	19.6 (174)	19.6 (174)	19.6 (174)	19.6 (174)	19.6 (174)	19.6 (174)
		60 Hz	1.31 (11.6)	1.57 (13.9)	2.18 (19.3)	2.62 (23.2)	3.27 (28.9)	3.93 (34.8)	4.37 (38.7)	4.91 (43.5)	5.89 (52.1)	7.07 (62.6)	7.86 (69.6)	9.82 (86.9)	11.7 (104)	12.6 (112)	17.6 (156)	19.6 (174)	19.6 (174)	19.6 (174)	19.6 (174)	19.6 (174)	19.6 (174)	19.6 (174)	19.6 (174)	19.6 (174)
MY9G□B (ball bearing / hinge attached)	90 r/min	50 Hz	0.60 (5.31)	0.72 (6.37)	1.01 (8.94)	1.21 (10.7)	1.51 (13.4)	1.81 (16.0)	2.02 (17.9)	2.26 (20.0)	2.71 (24.0)	3.25 (28.8)	3.62 (32.0)	4.52 (40.0)	5.43 (48.1)	5.83 (51.6)	8.10 (71.7)	9.72 (86.0)	12.1 (107)	14.5 (128)	16.2 (143)	19.4 (172)	19.6 (174)	19.6 (174)	19.6 (174)	19.6 (174)
		60 Hz	0.60 (5.31)	0.72 (6.37)	1.01 (8.94)	1.21 (10.7)	1.51 (13.4)	1.81 (16.0)	2.02 (17.9)	2.26 (20.0)	2.71 (24.0)	3.25 (28.8)	3.62 (32.0)	4.52 (40.0)	5.43 (48.1)	5.83 (51.6)	8.10 (71.7)	9.72 (86.0)	12.1 (107)	14.5 (128)	16.2 (143)	19.4 (172)	19.6 (174)	19.6 (174)	19.6 (174)	19.6 (174)
Rotational direction		Same as motor rotational direction										Reverse to motor rotational direction										Same as motor rotational direction				

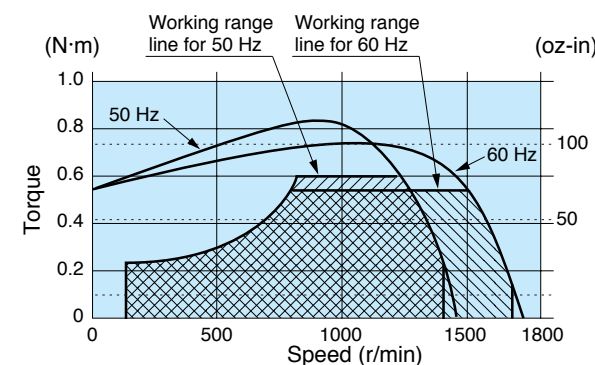
• Permissible torque at output shaft of gear head using decimal gear head

Unit of permissible torque: upper (N·m) / lower (lb·in)

Applicable gear head Bearing	Decimal gear head	Reduction Ratio	Speed	Speed														
				250	300	360	500	600	750	900	1000	1200	1500	1800	2000			
MZ9G□B (ball bearing / hinge not attached)	MZ9G10XB	1200 r/min	50 Hz	19.6 (173)	19.6 (173)	19.6 (173)	19.6 (173)	19.6 (173)	19.6 (173)	19.6 (173)	19.6 (173)	19.6 (173)	19.6 (173)	19.6 (173)	19.6 (173)	19.6 (173)	19.6 (173)	19.6 (173)
			60 Hz	19.6 (173)	19.6 (173)	19.6 (173)	19.6 (173)	19.6 (173)	19.6 (173)	19.6 (173)	19.6 (173)	19.6 (173)	19.6 (173)	19.6 (173)	19.6 (173)	19.6 (173)	19.6 (173)	19.6 (173)
MY9G□B (ball bearing / hinge attached)	MZ9G10XB	90 r/min	50 Hz	19.6 (173)	19.6 (173)	19.6 (173)	19.6 (173)	19.6 (173)	19.6 (173)	19.6 (173)	19.6 (173)	19.6 (173)	19.6 (173)	19.6 (173)	19.6 (173)	19.6 (173)	19.6 (173)	19.6 (173)
			60 Hz	19.6 (173)	19.6 (173)	19.6 (173)	19.6 (173)	19.6 (173)	19.6 (173)	19.6 (173)	19.6 (173)	19.6 (173)	19.6 (173)	19.6 (173)	19.6 (173)	19.6 (173)	19.6 (173)	19.6 (173)
Rotational direction		Same as motor rotational direction																

* Please read your User's manual carefully so that you will understand the operation and safety precautions before attempting to operate the system.

Speed-torque characteristics



Connection diagram

* For the connection diagram showing wiring with the speed controller, refer to pages C-21 to C-26.

* Working range line

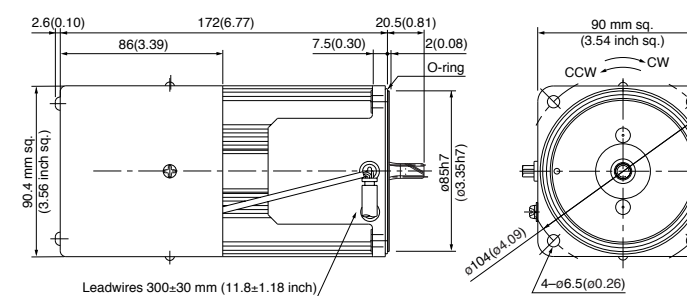
The working range line shows the working limit for the variable speed motor. The permissible torque should fall within the shaded portion. If you use the motor with the permissible torque exceeding the working range line (falling within the portion not shaded), the motor may be burned out due to a high temperature rise or the gear tooth may be damaged.

Motor (dimensions)

M91Z90GD4L 4P 90 W 100 V (Forced cooling fan)
M91Z90GD4Y 4P 90 W 200 V (Forced cooling fan)

Scale: 1/4, Unit: mm

Mass	Helical gear	Module	Number of teeth
3.5 kg 7.72 lb		0.6	9



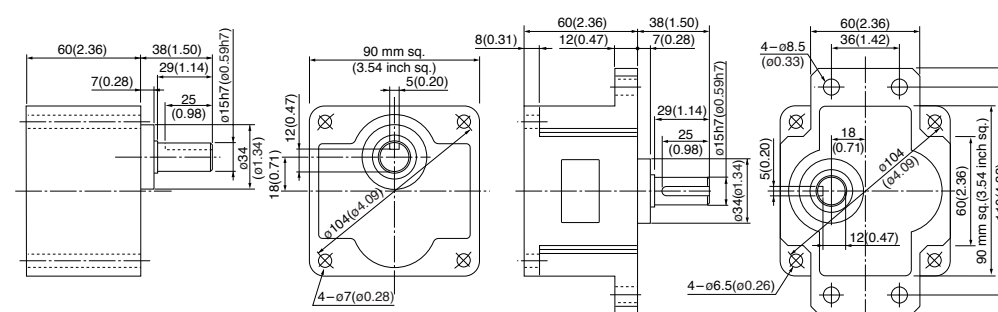
* The motor or speed controller is not sold singly. Place an order using the unit model number.

Gear head (dimensions)

Scale: 1/4, Unit: mm (inch)

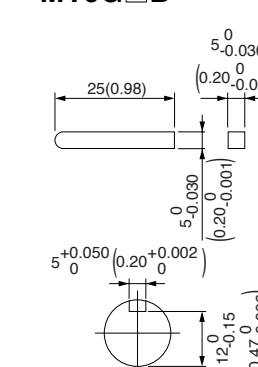
MZ9G□B (ball bearing / hinge not attached)
Mass 1.4 kg (3.09 lb)

MY9G□B (ball bearing / hinge attached)
Mass 1.4 kg (3.09 lb)



Key and keyway (dimensions) [attachment]

MZ9G□B
MY9G□B



Note) MZ / MY is available for a gear head of either type.

(Note) Because the dimensions may be subject to change, also check the determinate dimensions if the gear head is to be used for design.

Variable speed unit motor

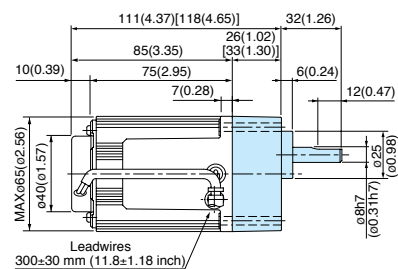
Gear head combination dimensions

Scale: 1/4, Unit: mm (inch)

* Gear head is sold separately.

60 mm sq. (2.36 inch sq.) 6 W

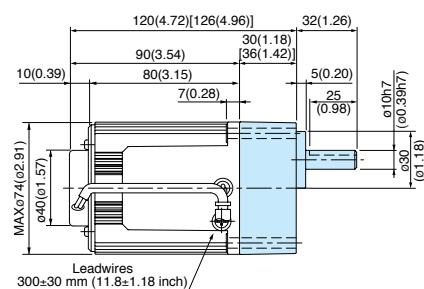
M61X6GD4L + MX6G□BA(MA) / MX6G□B(M)
M61X6GD4Y + MX6G□BA(MA) / MX6G□B(M)



* Figures in [] represent the dimensions of MX6G□B (M) (1/30 or larger reduction ratio).
The model number of the gear head with a reduction ratio of 1/25 or smaller is MX6G□BA (MA).

70 mm sq. (2.76 inch sq.) 15 W

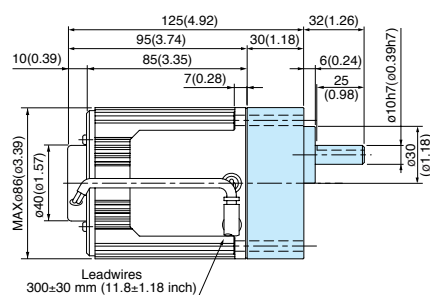
M71X15GD4L + MX7G□BA(MA) / MX7G□B(M)
M71X15GD4Y + MX7G□BA(MA) / MX7G□B(M)



* Figures in [] represent the dimensions of MX7G□B (M) (1/30 or larger reduction ratio).
The model number of the gear head with a reduction ratio of 1/25 or smaller is MX7G□BA (MA).

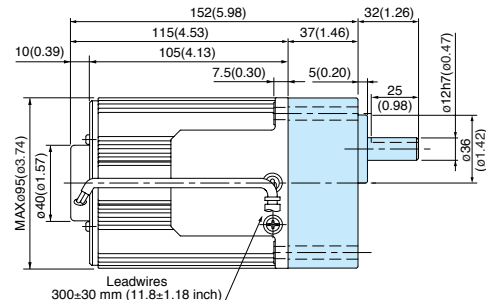
80 mm sq. (3.15 inch sq.) 25 W

M81X25GD4L + MX8G□B(M)
M81X25GD4Y + MX8G□B(M)



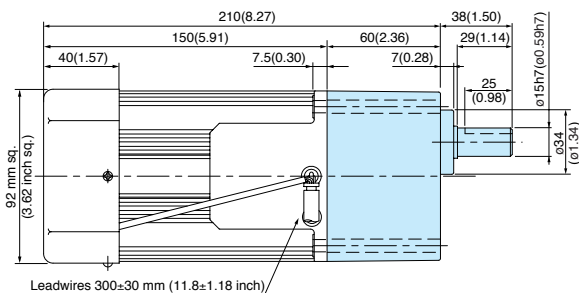
90 mm sq. (3.54 inch sq.) 40 W

M91X40GD4L + MX9G□B(M)
M91X40GD4Y + MX9G□B(M)



90 mm sq. (3.54 inch sq.) 60 W

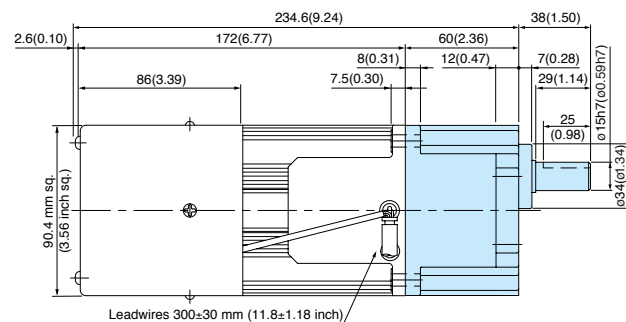
M91Z60GD4L + MZ9G□B (MY9G□B)
M91Z60GD4Y + MZ9G□B (MY9G□B)



* Refer to page B-444 for high torque gear head.

90 mm sq. (3.54 inch sq.) 90 W

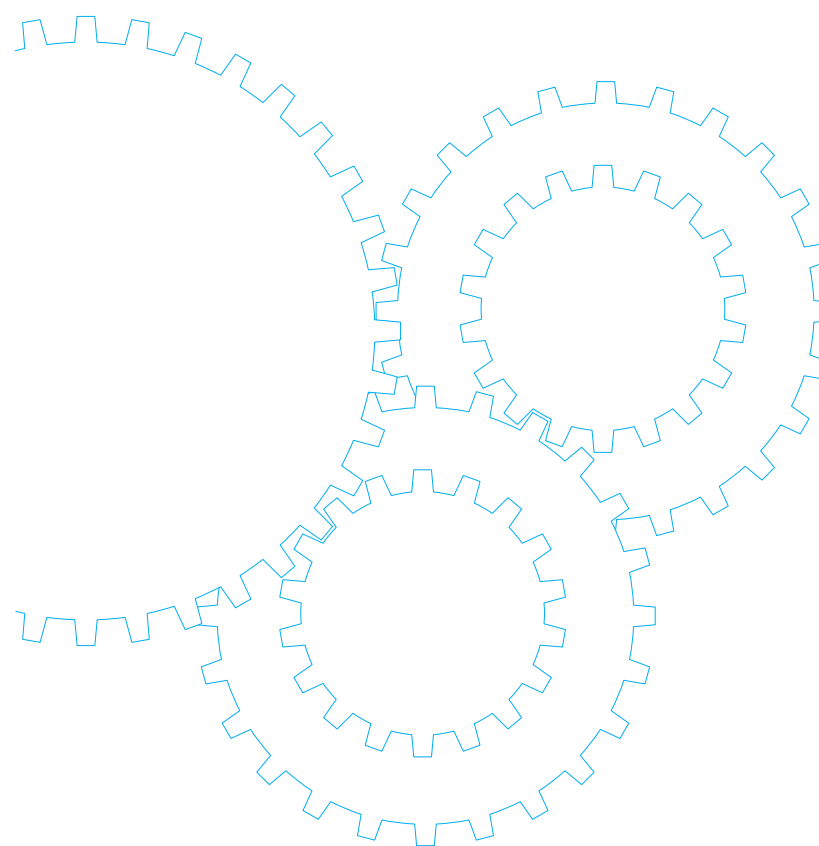
M91Z90GD4L + MY9G□B (MZ9G□B)
M91Z90GD4Y + MY9G□B (MZ9G□B)



* Refer to page B-444 for high torque gear head.

* Please read your User's manual carefully so that you will understand the operation and safety precautions before attempting to operate the system.

C&B motor



Contents

• Motor Overview	B-342
• Model list	B-350
• Product information for each model	B-352
• Gear head combination dimensions	B-400

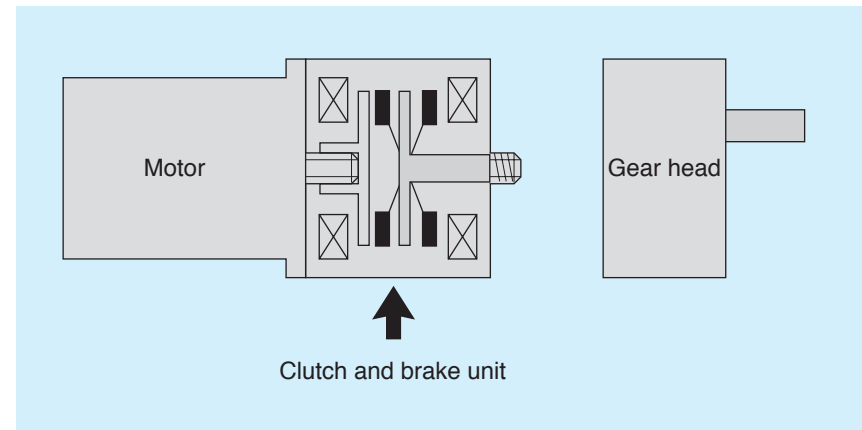
Outline of C&B motor

Features

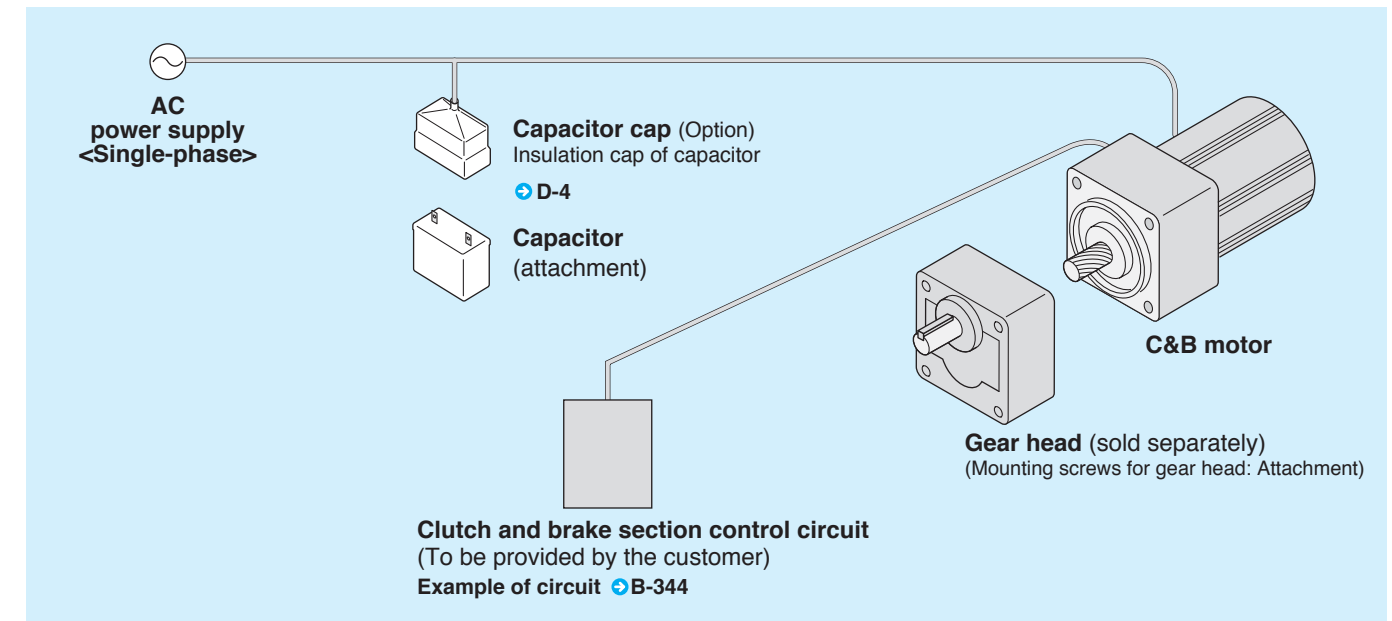
- It is best fitted for high-frequency operation.
The high-accuracy and highly-responsive clutch and brake enables up to 100 cycles of start/stop per minute. (For running in one direction only)
- High-reliability gear head used
It can withstand two million cycles of start/stop.
- Excitation-type clutch and brake
The clutch and brake of the C&B motor is of excitation type and operates on 24 VDC.

Construction

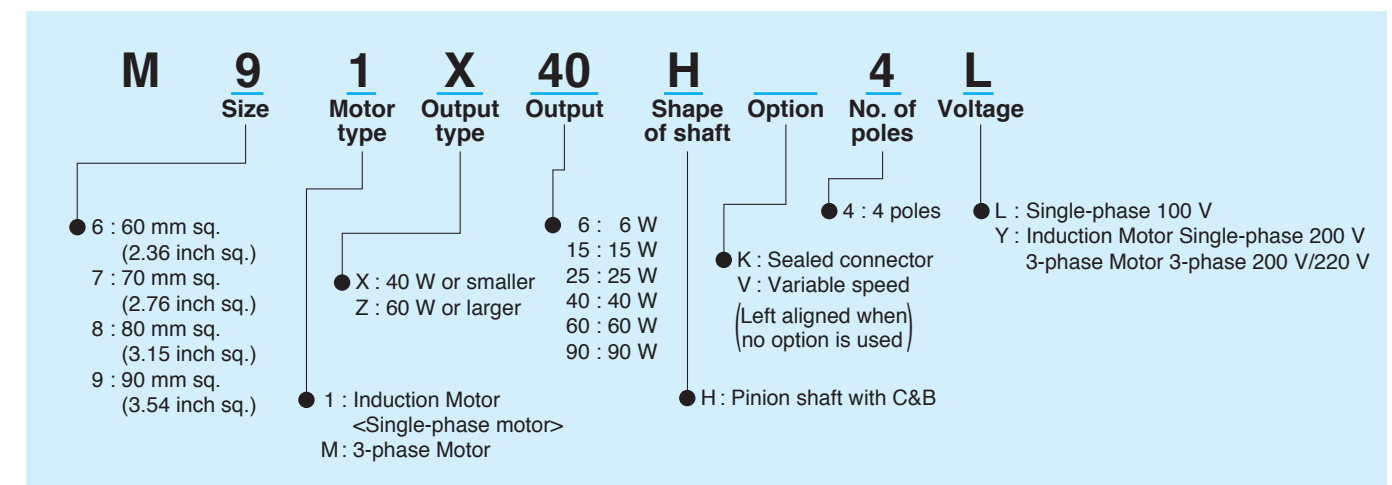
The clutch and brake are activated when the power is turned on because they are of excitation type. When the power is turned off, no coupling force of the clutch and no holding force of the brake is generated.



System configuration diagram <In the case of single-phase power supply>



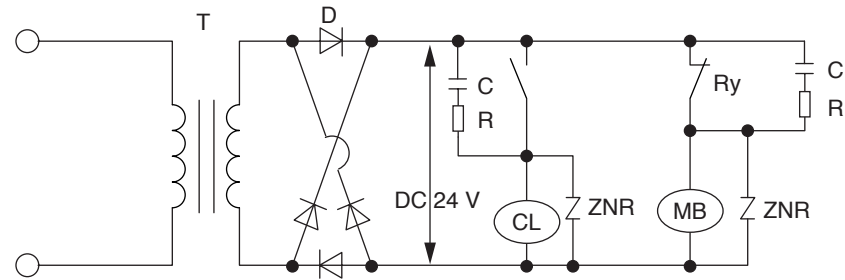
Coding system



Fit tolerance

Fit tolerance symbol is used in the outside dimension diagram of motor and gear head. For further information, see "Fit tolerance" on page A-33.

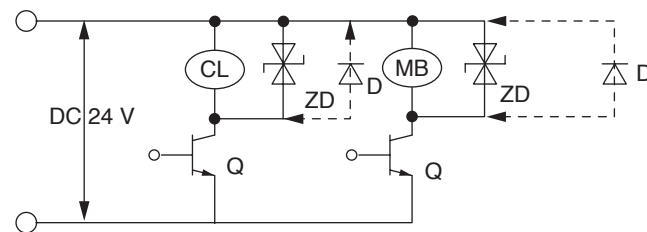
Example of control circuit of C&B motor



- It is best that the capacity of the transformer should be more than 2 times the that of the C&B.
- The capacity of the diode should be more than 2.5 times the clutch current and the withstand voltage should be 400 V or more.
- Use the following part as a ZNR: ERZV10D101 (manufactured by Panasonic) or an equivalent.
- Use a CR between the contacts to protect them.

C : 0.1 μ F, 250 V polyester etc.
 R : 47 Ω , 1/2 W
 T : Transformer
 D : Diode
 Ry : Relay
 ZNR: Surge absorber
 CL : Electromagnetic clutch
 MB : Electromagnetic brake

When contacts are used



- The ZD or D should be in parallel with the CL and MB.
- Use VRD-type ZD047 manufactured by Ishizuka Electronics Corporation as a ZD.
- The withstand voltage of the transistor should be 100 V or more.
- When a diode is used, the release time will become longer.
- Do not energize the clutch and brake at a time.
 Particularly when a diode is used, note that the clutch or brake coil is energized even if the signal of the transistor is turned off.

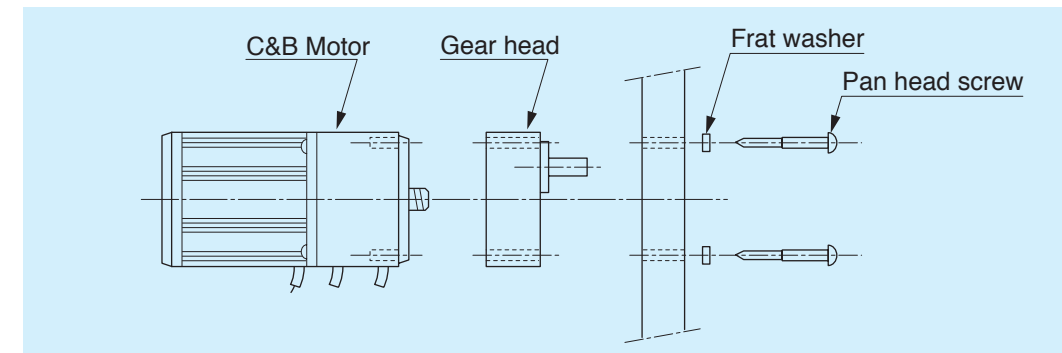
Q : Transistor
 ZD : VRD type
 D : Diode
 CL : Electromagnetic clutch
 MB : Electromagnetic brake

When no contacts are used

Connection of C&B motor and gear head

- Use the C&B motor together with the gear head.
- When connecting the gear head to the C&B motor, take care not to damage the C&B motor output shaft pinion.
- The following gear heads and mounting hardware cannot be used for the C&B motor.
 - Ball bearing gear head (MX6G□B (A), MX7G□B (A), MX8G□B, MX9G□B)
 - Metal bearing gear head (MX6G□M (A), MX7G□M (A), MX8G□M, MX9G□M)
 - Heavy-duty type gear head (MR9G□B, MP9G□B)
 - Orthogonal axis type gear head (MX9G□R, MZ9G□R)
 - Decimal gear head (MX6G10XB, MX7G10XB, MX8G10XB, MX9G10XB, MZ9G10XB)

• C&B motor and MX□G□H type gear head



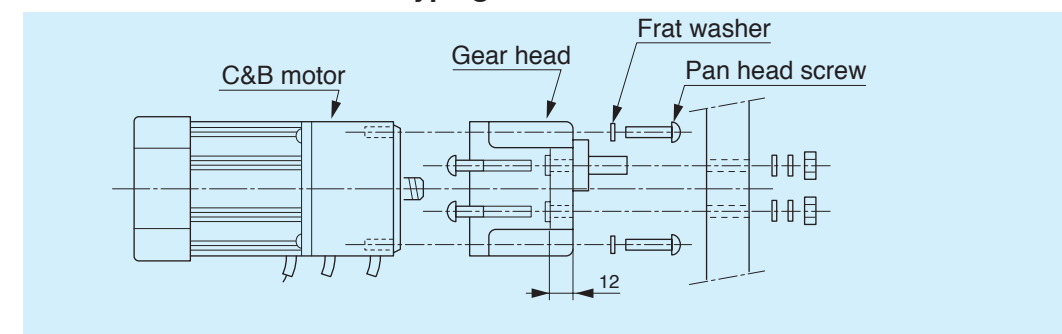
Mounting on equipment

Use the screws included with the gear head.
 No nuts are needed, when you use the accessory.
 The minimum board thickness should be such that the motor will not resonate.

Applicable board thickness (maximum)

MX6G	MX7G	MX8G	MX9G
8 mm (0.31 inch)	15 mm (0.59 inch)	15 mm (0.59 inch)	16 mm (0.63 inch)

• C&B motor and MY9G□H type gear head



• Connection of gear head

Use the screws included with the gear head.
 No nuts are needed, when you use the accessory.

• Mounting on equipment

Use M8 screws. (to be supplied by customer.)
 Determine the screw length in consideration of the thickness (12 mm) of the mounting flange of the gear head.

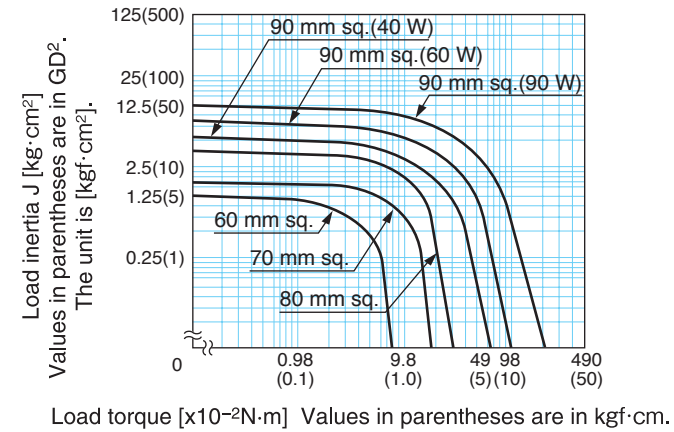
Outline of C&B motor

Permissible load torque and permissible inertia moment

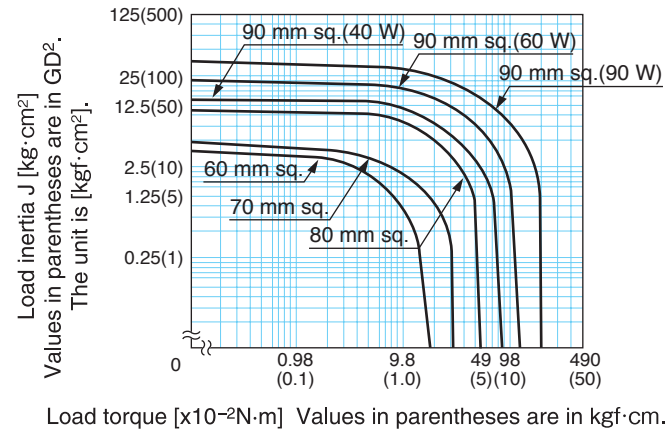
- The load used should fall within the portion under the curve in the following selection diagrams.
- The curve in the output selection diagram represents the load torque and inertia load for withstanding two million cycles of start/stop.
- Note that the torque is reduced when the variable speed motor is run at a low speed. For further details, refer to the separate catalog of the variable speed motor.
- When the motor is to be run at a speed of lower than 30 r/min, select output using the selection diagram for 30 r/min.

Output selection diagram

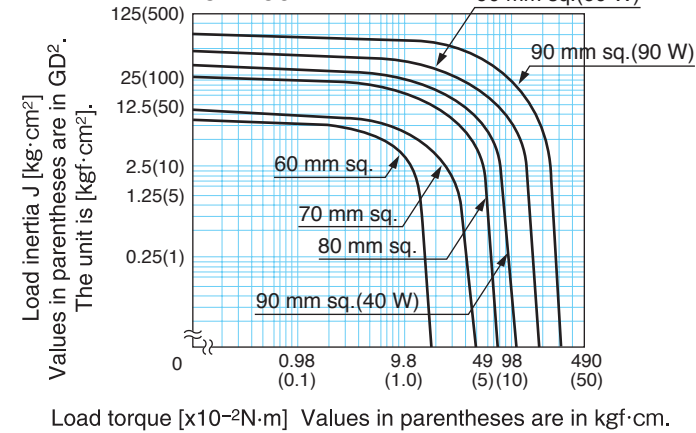
• 500 r/min 1/3 50 Hz
1/3.6 60 Hz



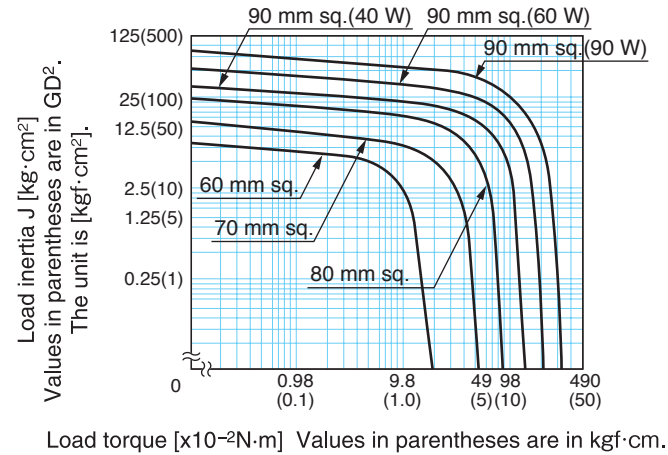
• 300 r/min 1/5 50 Hz
1/6 60 Hz



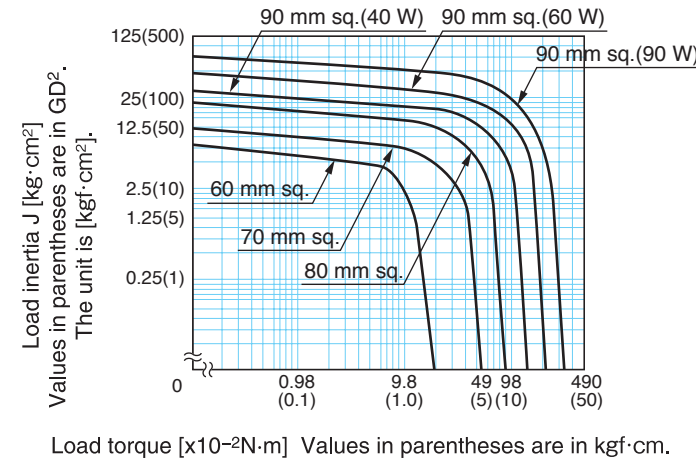
• 200 r/min 1/7.5 50 Hz
1/9 60 Hz



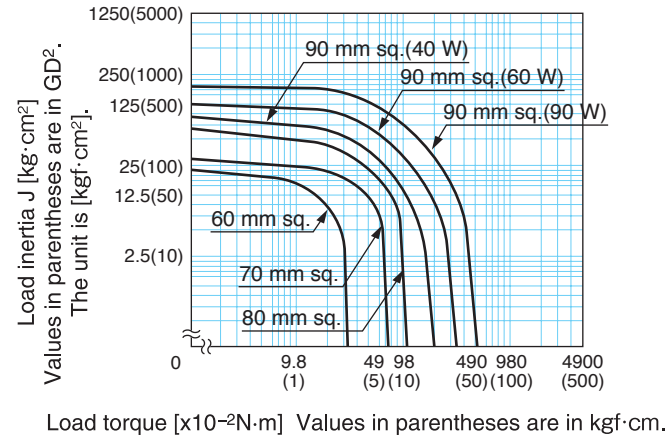
• 180 r/min 1/10 60 Hz



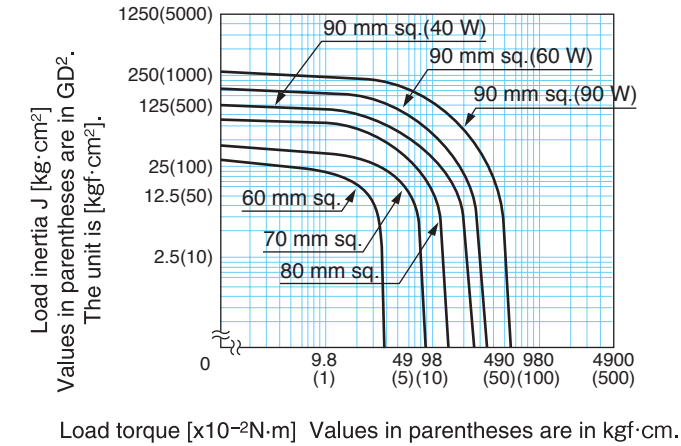
• 150 r/min 1/10 50 Hz



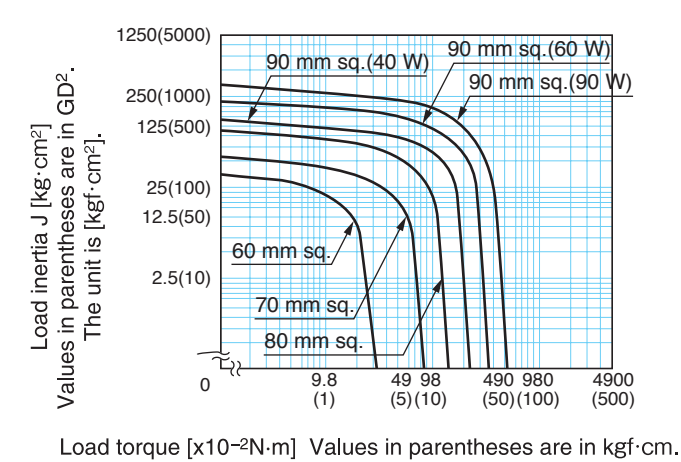
• 120 r/min 1/12.5 50 Hz
1/15 60 Hz



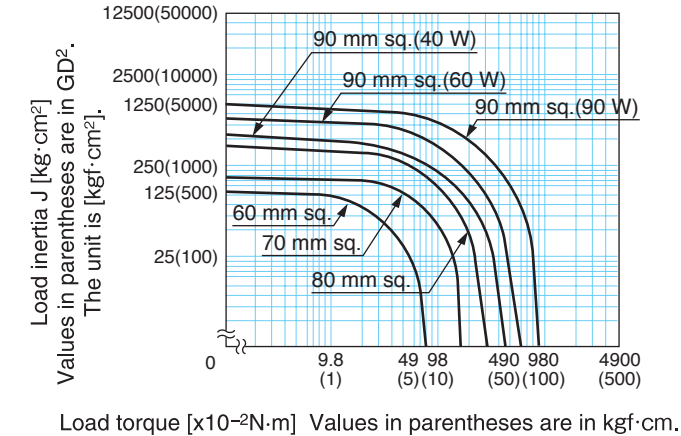
• 100 r/min 1/15 50 Hz
1/18 60 Hz



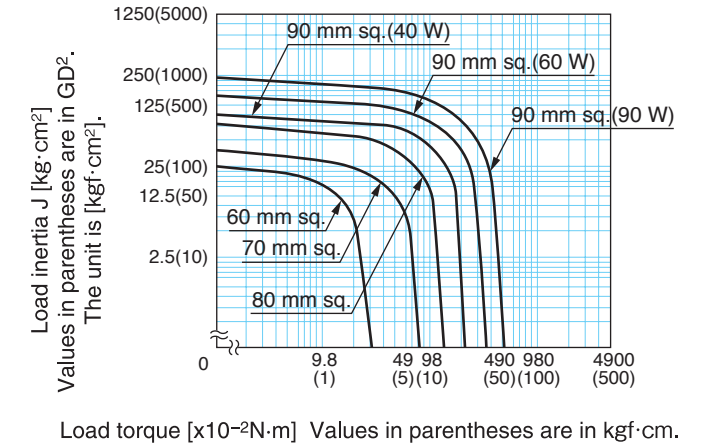
• 75 r/min 1/20 50 Hz



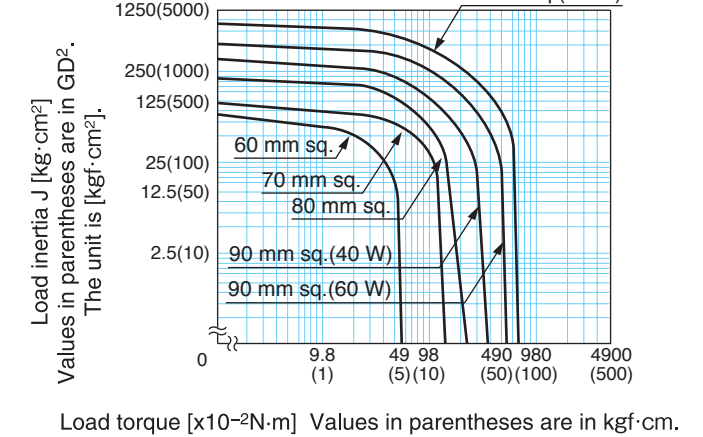
• 50 r/min 1/30 50 Hz
1/36 60 Hz



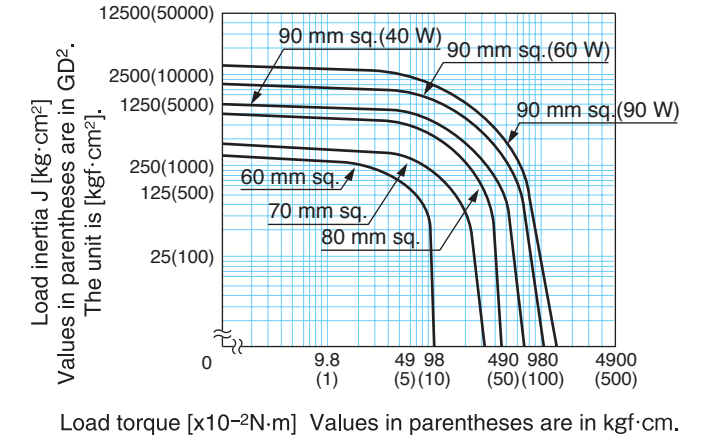
• 90 r/min 1/20 60 Hz



• 60 r/min 1/25 50 Hz
1/30 60 Hz



• 30 r/min 1/50 50 Hz
1/60 60 Hz



* 60 mm sq.: 2.36 inch
70 mm sq.: 2.76 inch
80 mm sq.: 3.15 inch
90 mm sq.: 3.54 inch

Outline of C&B motor

Gear head

Gear heads exclusively used for C&B motor are designed to withstand frequent start and stop duty cycles. While referring to the model list, select a gear suitable for the motor.

- **Gear head for C&B motor**
(MX6G□H, MX7G□H, MX8G□H, MX9G□H, MY9G□H)

The following gear heads cannot be used for the C&B motor.

- **Ball bearing gear head**
(MX6G□B(A), MX7G□B(A), MX8G□B, MX9G□B, MZ9G□B, MY9G□B)
- **Metal bearing gear head**
(MX6G□M(A), MX7G□M(A), MX8G□M, MX9G□M)
- **Heavy-duty type gear head**
(MR9G□B, MP9G□B)
- **Orthogonal axis type gear head**
(MX9G□R, MZ9G□R)
- **Decimal gear head**
(MX6G10XB, MX7G10XB, MX8G10XB, MX9G10XB, MZ9G10XB)

<Bearing>

The bearing is of the ball bearing type that has durability against fluctuating load and impact load.

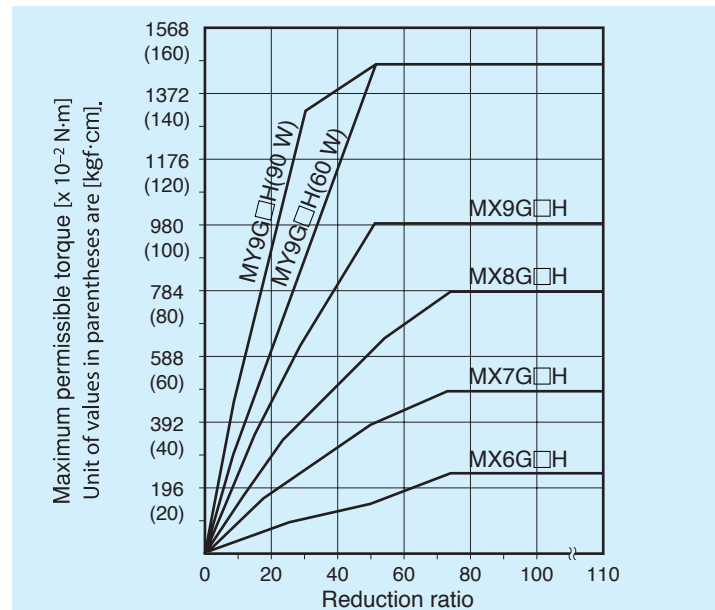
<Reduction Ratio>

22 reduction ratios from 1/3 to 1/180 are available (23 reduction ratios from 1/3 to 1/200 for MY9G□H). Select a reduction ratio suitable for the output speed of the motor and the speed of the machine used together with the motor.

Maximum permissible torque

There is a limit to the strength of a gear due to its material and construction. The usable load torque determined based on this limit is called permissible torque. As can be seen from the above-mentioned formula, the load becomes larger when the reduction ratio is increased. If the gear head is used with the load exceeding the permissible torque, its life expectancy will be shortened significantly. Refer to the following graph and the permissible torque for each model and use the gear head at an appropriate load.

• Maximum permissible torque



Gear head efficiency

Model No.	Reduction ratio																					
	3	3.6	5	6	7.5	9	10	12.5	15	18	20	25	30	36	50	60	75	90	100	120	150	180
MX6G□H MX7G□H MX8G□H MX9G□H	81 %										75 %					70 %					—	
MY9G□H	81 %					75 %					70 %					65 %					65 %	

Calculation of torque at output shaft of gear head

$$N_G = \frac{N_M}{i}$$

N_G : Speed of gear head (r/min)
 N_M : Motor speed (r/min)
 i : Reduction ratio of gear head

$$T_G = T_M \times i \times \eta$$

T_G : Output torque of gear head (N·m)
 T_M : Motor torque (N·m)
 η : Gear head efficiency

Service factor

Life expectancy of motor varies depending on load fluctuation. To determine the life expectancy, a factor called service factor, as shown in the table below is used. First choose the appropriate service factor according to the type of load and multiply the result by the required power to determine the design power.

• Service factor

Type of load	Typical load	Service factor		
		5 hours/day	8 hours/day	24 hours/day
Constant	Belt conveyor, One-directional rotation	0.8	1.0	1.5
Light-impact	Start/Stop, Cam-drive	1.2	1.5	2.0
Medium-impact	Instant FWD/REV, Instant stop	1.5	2.0	2.5
Heavy-impact	Frequent medium-impact	2.5	3.0	3.5

The required allowable shaft torque T_A of the gear head can be determined based on the service factor and actual load torque T_1 :

$$T_A = T_1 \times S_f$$

T_A : Allowable torque of gear head (N·m)
 T_1 : Actual load torque (N·m)
 S_f : Service factor

Use the motor so that the allowable torque T_A calculated from the formula above falls within the allowable torque range.

* Though it seems that the motor can be operated even in overload when the service factor is 0.8, note that the service factor is defined for the allowable torque of the gear head. If the motor is operated in overload, the life of insulator may be shortened or the motor may be burned out due to an abnormal temperature rise.

Standard life expectancy

Standard life expectancy: Standard life expectancy when operated for 8 hours/day at the standard load (Service factor=1.0)

* The oil seal is excluded because it is a consumable.

• Calculation of life expectancy

Calculate the life expectancy while referring to the service factor table shown above.

When the service factor is 2.0, for example, the life expectancy is calculated as follows:

$$\text{Life expectancy} = 5000 \text{ (h)} / 2.0 = 2500 \text{ (h)}$$

• Standard life expectancy

Gear head for C&B motor	Life (hours)
	5000 hours

Model list of C&B motor

Pinion shaft motor

Applicable gear head

• Single-phase / 4 poles

Size	Output (W)	Leadwire type			Sealed connector type		
		Model number	Specifications	Page	Model number	Specifications	Page
60 mm sq. (2.36 inch sq.)	6	M61X6H4L	100 V	B-352			
		M61X6H4Y	200 V	B-352			
70 mm sq. (2.76 inch sq.)	15	M71X15H4L	100 V	B-354			
		M71X15H4Y	200 V	B-354			
80 mm sq. (3.15 inch sq.)	25	M81X25H4L	100 V	B-356	M81X25HK4L	100 V	B-364
		M81X25H4Y	200 V	B-356	M81X25HK4Y	200 V	B-364
90 mm sq. (3.54 inch sq.)	40	M91X40H4L	100 V	B-358	M91X40HK4L	100 V	B-366
		M91X40H4Y	200 V	B-358	M91X40HK4Y	200 V	B-366
	60	M91Z60H4L	100 V	B-360	M91Z60HK4L	100 V	B-368
		M91Z60H4Y	200 V	B-360	M91Z60HK4Y	200 V	B-368
	90	M91Z90H4L	100 V	B-362	M91Z90HK4L	100 V	B-370
		M91Z90H4Y	200 V	B-362	M91Z90HK4Y	200 V	B-370

Variable speed induction motor (leadwire)		
Model number	Specifications	Page
M61X6HV4L	100 V	B-388
M61X6HV4Y	200 V	B-388
M71X15HV4L	100 V	B-390
M71X15HV4Y	200 V	B-390
M81X25HV4L	100 V	B-392
M81X25HV4Y	200 V	B-392
M91X40HV4L	100 V	B-394
M91X40HV4Y	200 V	B-394
M91Z60HV4L	100 V	B-396
M91Z60HV4Y	200 V	B-396
M91Z90HV4L	100 V	B-398
M91Z90HV4Y	200 V	B-398

Standard gear head (for C&B)	
Ball bearing	
MX6G□H	Hinge attached
MX7G□H	
MX8G□H	
MX9G□H	
MY9G□H	

• 3-phase / 2poles

Size	Output (W)	Leadwire type			Sealed connector type		
		Model number	Specifications	Page	Model number	Specifications	Page
80 mm sq. (3.15 inch sq.)	25						
		M8MX25H4Y	200 V	B-372	M8MX25HK4Y	200 V	B-380
90 mm sq. (3.54 inch sq.)	40						
		M9MX40H4Y	200 V	B-374	M9MX40HK4Y	200 V	B-382
	60						
		M9MZ60H4Y	200 V	B-376	M9MZ60HK4Y	200 V	B-384
90							
	M9MZ90H4Y	200 V	B-378	M9MZ90HK4Y	200 V	B-386	

Standard gear head (for C&B)	
Ball bearing	
MX8G□H	Hinge attached
MX9G□H	
MY9G□H	

• Possible combination of speed controller and motor

	Size	Output (W)	Motor		Voltage (V)	Speed controller	
			Certified	Part No.		MGSD type	EX type
C&B motor / Variable speed induction motor	60 mm sq. (2.36 inch sq.)	6	----	M61X6HV4L	100	MGSDA1	DV1131
			----	M61X6HV4Y	200	MGSDDB2	DV1231
	70 mm sq. (2.76 inch sq.)	15	----	M71X15HV4L	100	MGSDA1	DV1132
			----	M71X15HV4Y	200	MGSDDB2	DV1231
	80 mm sq. (3.15 inch sq.)	25	----	M81X25HV4L	100	MGSDA1	DV1132
			----	M81X25HV4Y	200	MGSDDB2	DV1234
	90 mm sq. (3.54 inch sq.)	40	----	M91X40HV4L	100	MGSDA1	DV1132
			----	M91X40HV4Y	200	MGSDDB2	DV1234
		60	----	M91Z60HV4L	100	MGSDDB1	DV1134
			----	M91Z60HV4Y	200	MGSDDB2	DV1234
		90	----	M91Z90HV4L	100	MGSDDB1	DV1134
			----	M91Z90HV4Y	200	MGSDDB2	DV1234

Specifications

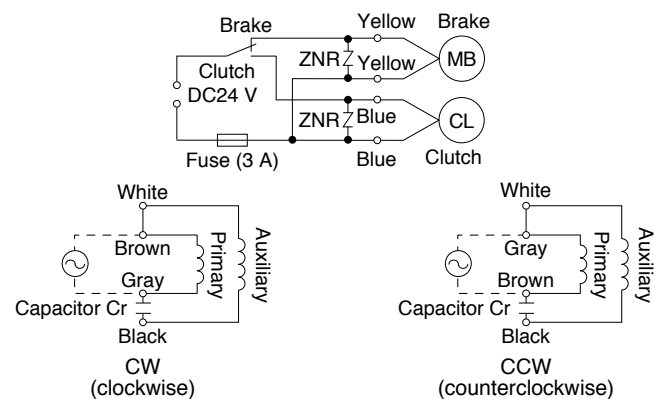
Size	Motor model No.	Motor characteristics											
		Number of pole (P)	Output (W)	Voltage (V)	Frequency (Hz)	Rating (min)	Rating				Starting current (A)	Starting torque N·m (oz-in)	Capacitor (μF) (rated voltage)
60 mm sq.	M61X6H4L	4	6	100	50	Cont.	20	0.21	1250	0.048(6.8)	0.30	0.049 (6.94)	2.5 (200 V)
					60		20	0.20	1575	0.038(5.38)			
	200			50	20	0.11	1250	0.048(6.8)	0.15				
				60	20	0.10	1600	0.037(5.23)					

Size	Motor model No.	Clutch and brake characteristics							
		Static friction torque N·m (oz-in)	Rating Voltage (DC-V)	Capacity (W About 75 °C)	Response time				
Clutch	Brake				Armature absorbing time (ms)	Armature release time (ms)	Actual torque start time (ms)		
60 mm sq.	M61X6H4L	0.294 (41.6)	24	4	15	25	20		
								Brake	2
	M61X6H4Y							Clutch	4
								Brake	2

(Make selection while referring to the output selection diagrams for C&B motor shown on pages B-346 to 347.)

Reduction ratio	3	3.6	5	6	7.5	9	10	12.5	15	18	20	25	30	36	50	60	75	90	100	120	150	180							
Speed (r/min)	500	416.7	300	250	200	166.7	150	120	100	83.3	75	60	50	41.7	30	25	20	16.7	15	12.5	10	8.3							
	600	500	360	300	240	200	180	144	120	100	90	72	60	50	36	30	24	20	18	15	12	10							
Applicable gear head	MX6G3H to MX6G180H (ball bearing)											Same as motor rotational direction						Reverse to motor rotational direction						Same as motor rotational direction					

Connection diagram



- (Note)
- ZNR not supplied
 - Use a fuse for the clutch and brake power supply.
 - Use a circuit breaker (MCCB) be sure to the motor power supply.

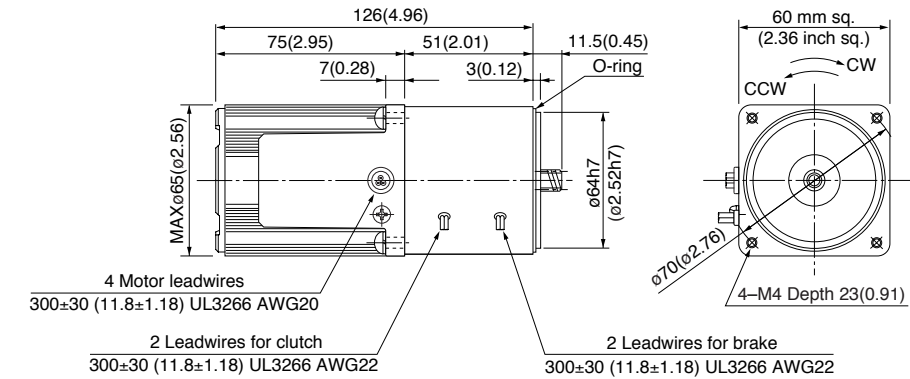
* Please read your User's manual carefully so that you will understand the operation and safety precautions before attempting to operate the system.

Motor (dimensions)

Scale: 1/3, Unit: mm (inch)

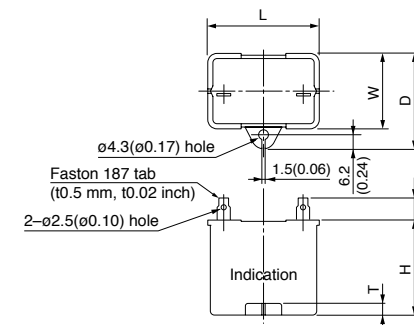
M61X6H4L	4P	6 W	100 V
M61X6H4Y	4P	6 W	200 V

Mass	Helical gear	Module	Number of teeth
1.23 kg 2.71 lb		0.5	10



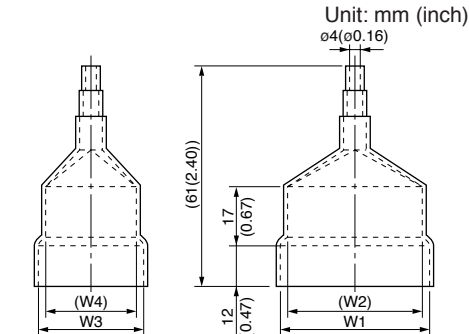
Capacitor (dimensions) [attachment]

Unit: mm (inch)



Capacitor cap (dimensions) [option]

Unit: mm (inch)



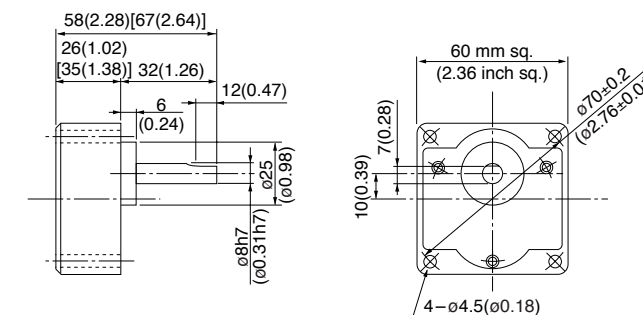
Capacitor dimension list Unit: upper (mm) / lower (inch)

Model number of motor	Model number of capacitor (attachment)	L	W	D	H	T	Capacitor cap (option)	W1	W2	W3	W4
M61X6H4L	M0PC2.5M20	39.5 (1.56)	16 (0.63)	26.5 (1.04)	30.5 (1.20)	4 (0.16)	M0PC3917	39.5 (1.56)	37.5 (1.48)	17 (0.67)	15 (0.59)
M61X6H4Y	M0PC0.7M40	39.5 (1.56)	16.2 (0.64)	27 (1.06)	27 (1.06)	4 (0.16)	M0PC3917	39.5 (1.56)	37.5 (1.48)	17 (0.67)	15 (0.59)

Gear head (dimensions)

Scale: 1/3, Unit: mm (inch)

MX6G□H (ball bearing) Mass 0.34 kg (0.75 lb): Output shaft D cut



* Figures in [] represent the dimensions of MX6G□H (1/30 or larger reduction ratio).

(Note) Because the dimensions may be subject to change, also check the determinate dimensions if the gear head is to be used for design.

Specifications

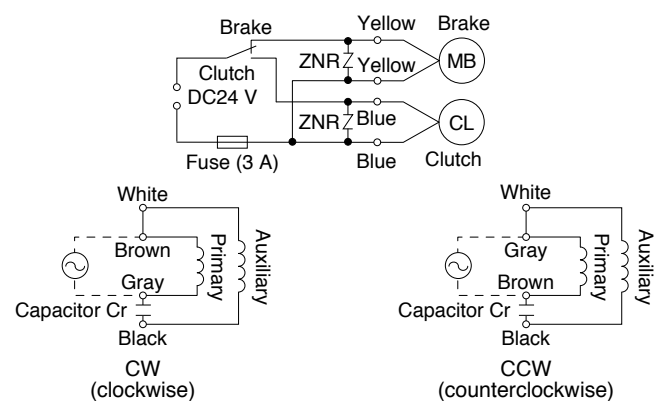
Size	Motor model No.	Motor characteristics											
		Number of pole (P)	Output (W)	Voltage (V)	Frequency (Hz)	Rating (min)	Rating				Starting current (A)	Starting torque N·m (oz-in)	Capacitor (μF) (rated voltage)
							Input (W)	Current (A)	Speed (r/min)	Torque N·m (oz-in)			
70 mm sq.	M71X15H4L	4	15	100	50	Cont.	34	0.37	1250	0.11(15.6)	0.61	0.077(10.9)	4 (200 V)
					60		33	0.33	1575	0.088(12.5)	0.57	0.077(10.9)	
	M71X15H4Y			200	50	Cont.	33	0.18	1300	0.11(15.6)	0.30	0.077(10.9)	1 (400 V)
					60		34	0.18	1600	0.088(12.5)	0.29	0.077(10.9)	

Size	Motor model No.	Clutch and brake characteristics						
			Static friction torque N·m (oz-in)	Rating Voltage (DC-V)	Capacity (W About 75 °C)	Response time		
						Armature absorbing time (ms)	Armature release time (ms)	Actual torque start time (ms)
70 mm sq.	M71X15H4L	Clutch	0.294 (41.6)	24	4	15	25	20
		Brake						
	M71X15H4Y	Clutch						
		Brake						

(Make selection while referring to the output selection diagrams for C&B motor shown on pages B-346 to 347.)

Reduction ratio		3	3.6	5	6	7.5	9	10	12.5	15	18	20	25	30	36	50	60	75	90	100	120	150	180
Speed (r/min)	50 Hz	500	416.7	300	250	200	166.7	150	120	100	83.3	75	60	50	41.7	30	25	20	16.7	15	12.5	10	8.3
	60 Hz	600	500	360	300	240	200	180	144	120	100	90	72	60	50	36	30	24	20	18	15	12	10
Applicable gear head	MX7G3H to MX7G180H (ball bearing)	Same as motor rotational direction										Reverse to motor rotational direction					Same as motor rotational direction						

Connection diagram



- (Note)
- ZNR not supplied
 - Use a fuse for the clutch and brake power supply.
 - Use a circuit breaker (MCCB) be sure to the motor power supply.

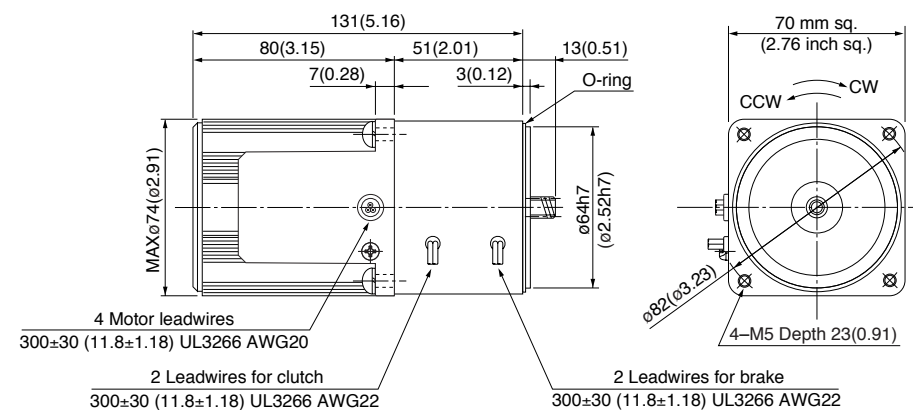
* Please read your User's manual carefully so that you will understand the operation and safety precautions before attempting to operate the system.

Motor (dimensions)

Scale: 1/3, Unit: mm (inch)

M71X15H4L 4P 15 W 100 V
M71X15H4Y 4P 15 W 200 V

Mass 1.72 kg 3.79 lb
Helical gear
Module 0.5
Number of teeth 10

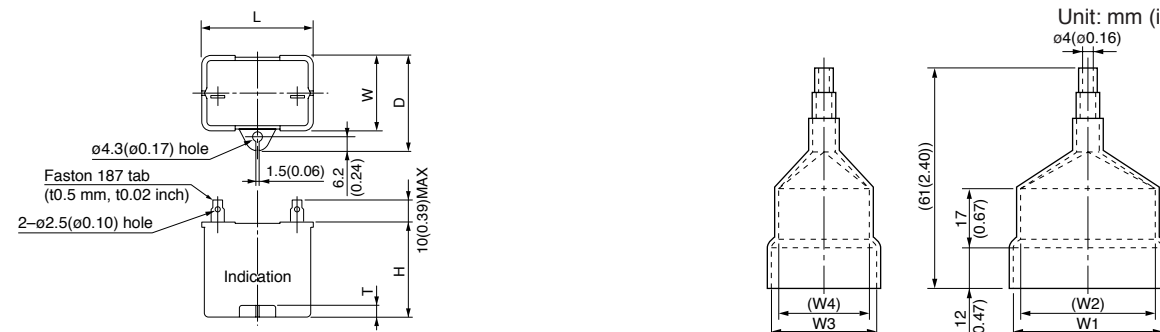


Capacitor (dimensions) [attachment]

Unit: mm (inch)

Capacitor cap (dimensions) [option]

Unit: mm (inch)



Capacitor dimension list Unit: upper (mm) / lower (inch)

Model number of motor	Model number of capacitor (attachment)	L	W	D	H	T	Capacitor cap (option)	W1	W2	W3	W4
M71X15H4L	M0PC4M20	39.5 (1.56)	16 (0.63)	26.5 (1.04)	30.5 (1.20)	4 (0.16)	M0PC3917	39.5 (1.56)	37.5 (1.48)	17 (0.67)	15 (0.59)
M71X15H4Y	M0PC1M40	39.5 (1.56)	16.2 (0.64)	27 (1.06)	27 (1.06)	4 (0.16)	M0PC3917	39.5 (1.56)	37.5 (1.48)	17 (0.67)	15 (0.59)

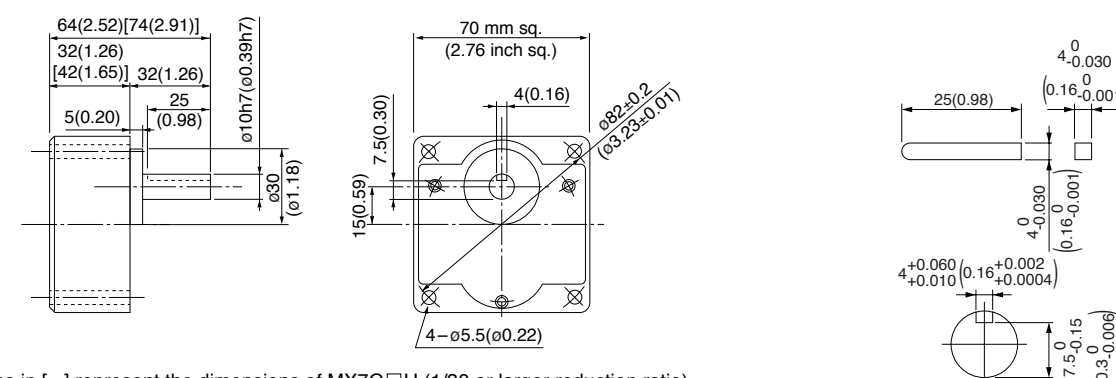
Gear head (dimensions)

Scale: 1/3, Unit: mm (inch)

MX7G□H (ball bearing) Mass 0.54 kg (1.19 lb)

Key and keyway (dimensions) [attachment]

MX7G□H



* Figures in [] represent the dimensions of MX7G□H (1/30 or larger reduction ratio).

(Note) Because the dimensions may be subject to change, also check the determinate dimensions if the gear head is to be used for design.

C&B motor (induction motor leadwire)

80 mm (3.15 inch) sq. 25 W

Specifications

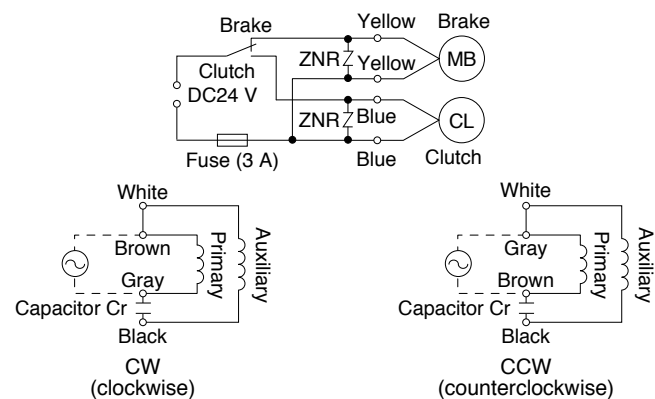
Size	Motor model No.	Motor characteristics											
		Number of pole (P)	Output (W)	Voltage (V)	Frequency (Hz)	Rating (min)	Rating				Starting current (A)	Starting torque N·m (oz-in)	Capacitor (μF) (rated voltage)
							Input (W)	Current (A)	Speed (r/min)	Torque N·m (oz-in)			
80 mm sq.	M81X25H4L	4	25	100	50	Cont.	51	0.55	1250	0.19(26.9)	0.98	0.16 (22.66)	6 (200 V)
					60		49	0.48	1550	0.15(21.24)	0.94		
	200			50	51	0.27	1250	0.19(26.9)	0.50	1.5 (400 V)			
				60	49	0.24	1575	0.15(21.24)	0.47				

Size	Motor model No.	Clutch and brake characteristics						
		Clutch/Brake	Static friction torque N·m (oz-in)	Rating Voltage (DC-V)	Capacity (W About 75 °C)	Response time		
						Armature absorbing time (ms)	Armature release time (ms)	Actual torque start time (ms)
80 mm sq.	M81X25H4L	Clutch	0.980 (139)	24	7	15	25	20
		Brake						
	M81X25H4Y	Clutch						
		Brake						

(Make selection while referring to the output selection diagrams for C&B motor shown on pages B-346 to 347.)

Reduction ratio	3	3.6	5	6	7.5	9	10	12.5	15	18	20	25	30	36	50	60	75	90	100	120	150	180					
Speed (r/min)	500	416.7	300	250	200	166.7	150	120	100	83.3	75	60	50	41.7	30	25	20	16.7	15	12.5	10	8.3					
	600	500	360	300	240	200	180	144	120	100	90	72	60	50	36	30	24	20	18	15	12	10					
Applicable gear head	MX8G3H to MX8G180H (ball bearing)											Same as motor rotational direction						Reverse to motor rotational direction					Same as motor rotational direction				

Connection diagram



- (Note)
- ZNR not supplied
 - Use a fuse for the clutch and brake power supply.
 - Use a circuit breaker (MCCB) be sure to the motor power supply.

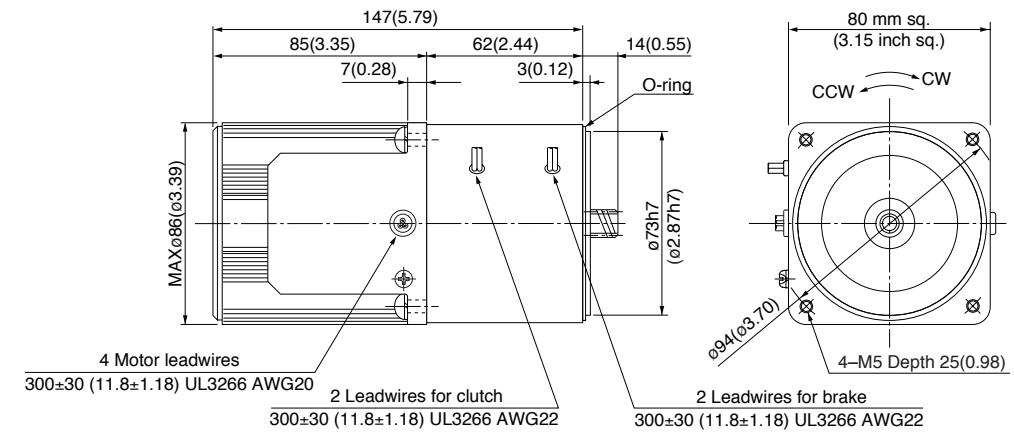
* Please read your User's manual carefully so that you will understand the operation and safety precautions before attempting to operate the system.

Motor (dimensions)

Scale: 1/3, Unit: mm (inch)

M81X25H4L 4P 25 W 100 V
M81X25H4Y 4P 25 W 200 V

Mass 2.63 kg 5.80 lb
Helical gear
Module 0.6
Number of teeth 11

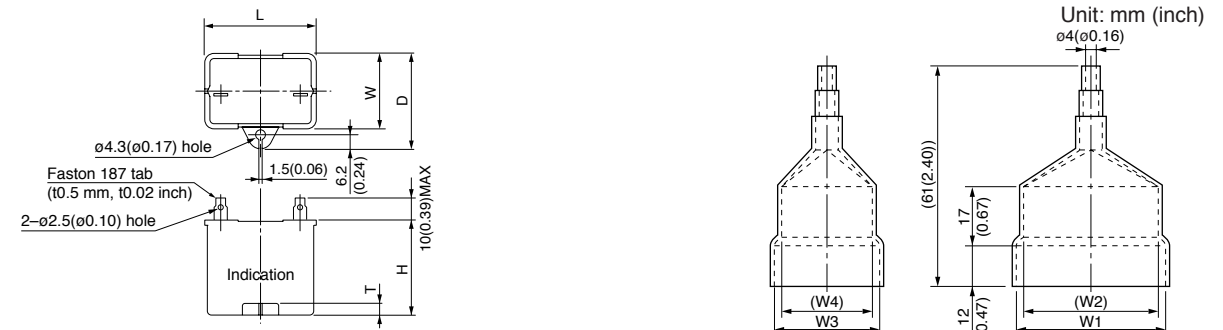


Capacitor (dimensions) [attachment]

Unit: mm (inch)

Capacitor cap (dimensions) [option]

Unit: mm (inch)



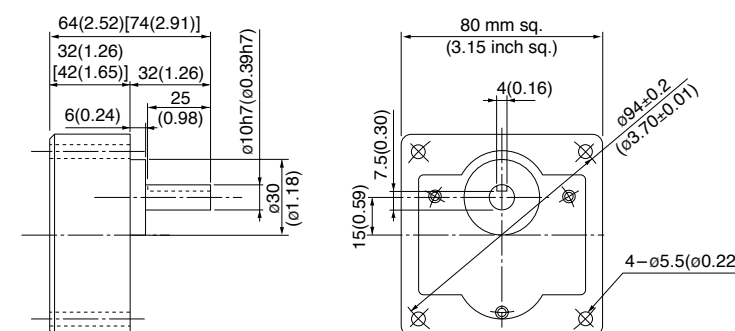
Capacitor dimension list Unit: upper (mm) / lower (inch)

Model number of motor	Model number of capacitor (attachment)	L	W	D	H	T	Capacitor cap (option)	W1	W2	W3	W4
M81X25H4L	M0PC6M20	39.5 (1.56)	17.5 (0.69)	28 (1.10)	30.5 (1.20)	4 (0.16)	M0PC3917	39.5 (1.56)	37.5 (1.48)	17 (0.67)	15 (0.59)
M81X25H4Y	M0PC1.5M40	39.5 (1.56)	22 (0.87)	30.5 (1.20)	32.5 (1.28)	4 (0.16)	M0PC3922	39.5 (1.56)	37.5 (1.48)	22 (0.87)	20 (0.79)

Gear head (dimensions)

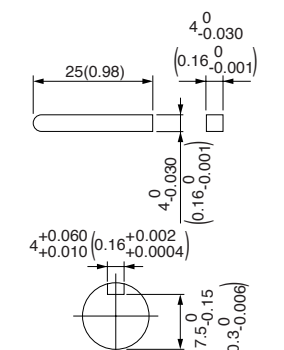
Scale: 1/3, Unit: mm (inch)

MX8G□H (ball bearing) Mass 0.68 kg (1.50 lb)



Key and keyway (dimensions) [attachment]

MX8G□H



* Figures in [] represent the dimensions of MX8G□H (1/30 or larger reduction ratio).

(Note) Because the dimensions may be subject to change, also check the determinate dimensions if the gear head is to be used for design.

C&B motor (induction motor leadwire)

90 mm (3.54 inch) sq. 40 W

Specifications

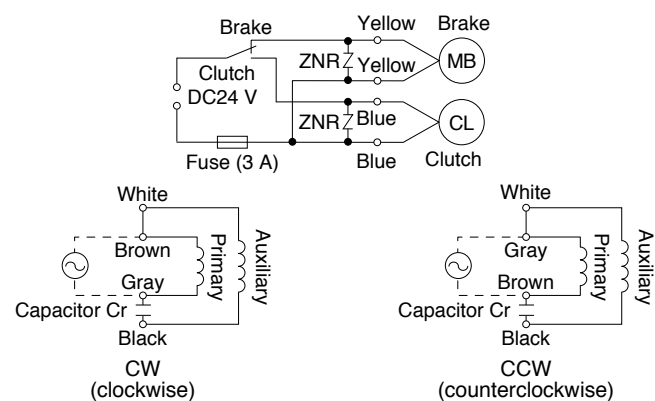
Size	Motor model No.	Motor characteristics											
		Number of pole (P)	Output (W)	Voltage (V)	Frequency (Hz)	Rating (min)	Input (W)	Current (A)	Speed (r/min)	Torque N·m (oz-in)	Starting current (A)	Starting torque N·m (oz-in)	Capacitor (μF) (rated voltage)
90 mm sq.	M91X40H4L	4	40	100	50	Cont.	78	0.89	1225	0.30(42.5)	1.5	0.24(34.0)	10 (200 V)
							72	0.72	1550	0.25(35.4)	1.5	0.25(35.4)	
	200			50	79		0.43	1250	0.30(42.5)	0.83	0.25(35.4)	2.5 (400 V)	
					72		0.36	1575	0.24(34.0)	0.76	0.25(35.4)		

Size	Motor model No.	Clutch and brake characteristics						
		Static friction torque N·m (oz-in)	Rating Voltage (DC-V)	Capacity (W About 75 °C)	Response time			
					Armature absorbing time (ms)	Armature release time (ms)	Actual torque start time (ms)	
90 mm sq.	M91X40H4L	Clutch	1.47 (208.17)	24	7	15	25	20
		Brake						
	M91X40H4Y	Clutch						
		Brake						

(Make selection while referring to the output selection diagrams for C&B motor shown on pages B-346 to 347.)

Reduction ratio	3	3.6	5	6	7.5	9	10	12.5	15	18	20	25	30	36	50	60	75	90	100	120	150	180																		
Speed (r/min)	500	416.7	300	250	200	166.7	150	120	100	83.3	75	60	50	41.7	30	25	20	16.7	15	12.5	10	8.3																		
	600	500	360	300	240	200	180	144	120	100	90	72	60	50	36	30	24	20	18	15	12	10																		
Applicable gear head	MX9G3H to MX9G180H (ball bearing)										Rotational direction: Same as motor rotational direction										Reverse to motor rotational direction										Same as motor rotational direction									

Connection diagram



- (Note)
- ZNR not supplied
 - Use a fuse for the clutch and brake power supply.
 - Use a circuit breaker (MCCB) be sure to the motor power supply.

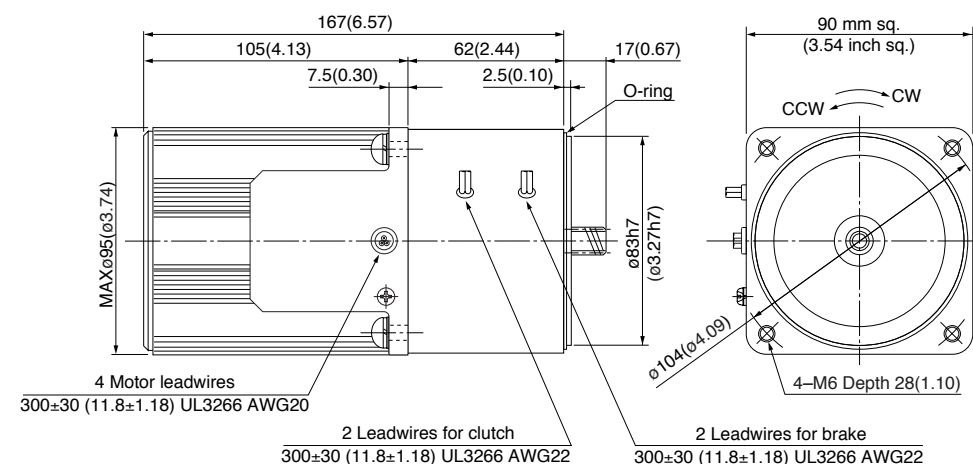
* Please read your User's manual carefully so that you will understand the operation and safety precautions before attempting to operate the system.

Motor (dimensions)

Scale: 1/3, Unit: mm (inch)

M91X40H4L 4P 40 W 100 V
M91X40H4Y 4P 40 W 200 V

Mass 3.62 kg (7.98 lb)
Helical gear
Module 0.6
Number of teeth 11



Capacitor (dimensions) [attachment]

Unit: mm (inch)

Capacitor cap (dimensions) [option]

Unit: mm (inch)



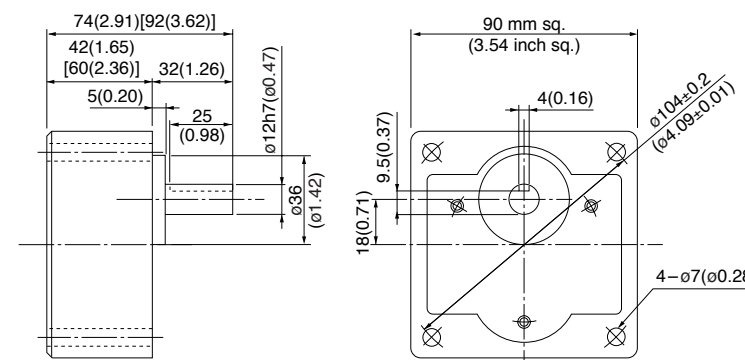
Capacitor dimension list Unit: upper (mm) / lower (inch)

Model number of motor	Model number of capacitor (attachment)	L	W	D	H	T	Capacitor cap (option)	W1	W2	W3	W4
M91X40H4L	M0PC10M20	39.5 (1.56)	26.7 (1.05)	37 (1.46)	32 (1.26)	4 (0.16)	M0PC3926	39.5 (1.56)	37.5 (1.48)	26 (1.02)	25 (0.98)
M91X40H4Y	M0PC2.5M40	49.7 (1.96)	24 (0.94)	34.5 (1.36)	34.5 (1.36)	4 (0.16)	M0PC5026	50 (1.97)	48 (1.89)	26 (1.02)	22 (0.87)

Gear head (dimensions)

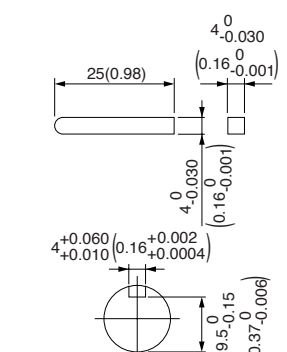
Scale: 1/3, Unit: mm (inch)

MX9G□H (ball bearing) Mass 1.2 kg (2.65 lb)



Key and keyway (dimensions) [attachment]

MX9G□H



* Figures in [] represent the dimensions of MX9G□H (1/20 or larger reduction ratio).

(Note) Because the dimensions may be subject to change, also check the determinate dimensions if the gear head is to be used for design.

Specifications

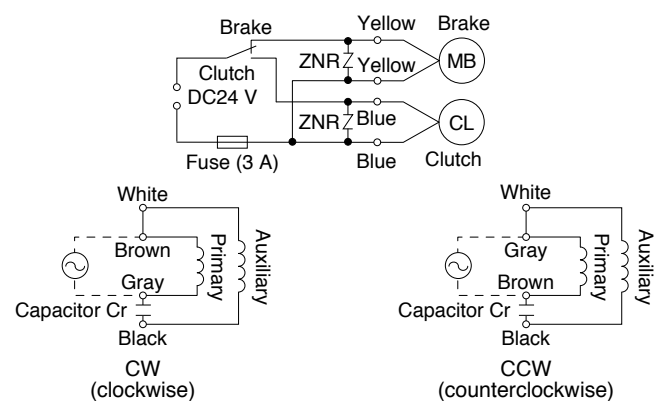
Size	Motor model No.	Motor characteristics											
		Number of pole (P)	Output (W)	Voltage (V)	Frequency (Hz)	Rating (min)	Rating				Starting current (A)	Starting torque N-m (oz-in)	Capacitor (μF) (rated voltage)
							Input (W)	Current (A)	Speed (r/min)	Torque N-m (oz-in)			
90 mm sq.	M91Z60H4L	4	60	100	50	Cont.	118	1.3	1250	0.46(65.1)	2.2	0.41(58.1)	15 (210 V)
					60		117	1.2	1550	0.36(51.0)		0.42(59.5)	
	200			50	Cont.	120	0.65	1250	0.46(65.1)	1.1	0.42(59.5)	3.8 (400 V)	
				60		119	0.59	1550	0.36(51.0)		0.44(62.3)		

Size	Motor model No.	Clutch and brake characteristics						
			Static friction torque N-m (oz-in)	Rating Voltage (DC-V)	Capacity (W About 75 °C)	Response time		
						Armature absorbing time (ms)	Armature release time (ms)	Actual torque start time (ms)
90 mm sq.	M91Z60H4L	Clutch	1.47 (208)	24	7	15	25	20
		Brake						
	M91Z60H4Y	Clutch						
		Brake						

(Make selection while referring to the output selection diagrams for C&B motor shown on pages B-346 to 347.)

Reduction ratio	3	3.6	5	6	7.5	9	10	12.5	15	18	20	25	30	36	50	60	75	90	100	120	150	180	200
Speed (r/min)	500	416.7	300	250	200	166.7	150	120	100	83.3	75	60	50	41.7	30	25	20	16.7	15	12.5	10	8.3	7.5
	600	500	360	300	240	200	180	144	120	100	90	72	60	50	36	30	24	20	18	15	12	10	9
Applicable gear head	MY9G3H to MY9G200H (ball bearing)		Rotational direction Same as motor rotational direction				Reverse to motor rotational direction				Same as motor rotational direction				Reverse to motor rotational direction								

Connection diagram



- (Note)
- ZNR not supplied
 - Use a fuse for the clutch and brake power supply.
 - Use a circuit breaker (MCCB) be sure to the motor power supply.

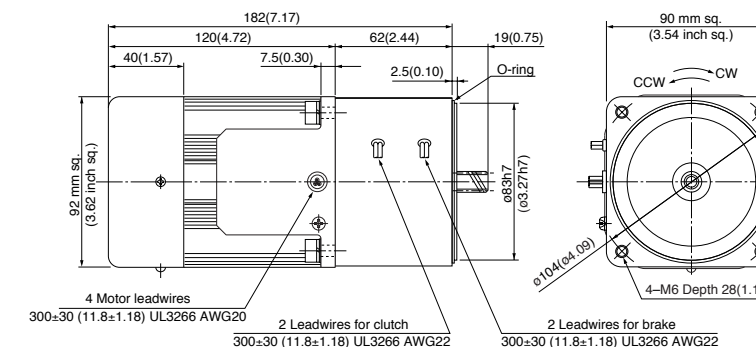
* Please read your User's manual carefully so that you will understand the operation and safety precautions before attempting to operate the system.

Motor (dimensions)

Scale: 1/3, Unit: mm (inch)

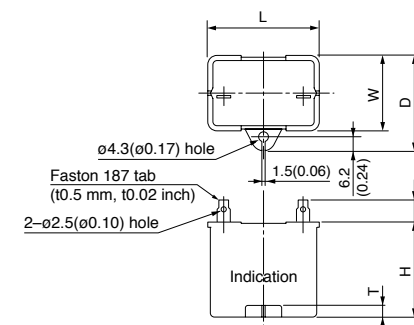
M91Z60H4L 4P 60 W 100 V
M91Z60H4Y 4P 60 W 200 V

Mass 3.93 kg 8.66 lb
Helical gear
Module 0.8
Number of teeth 11



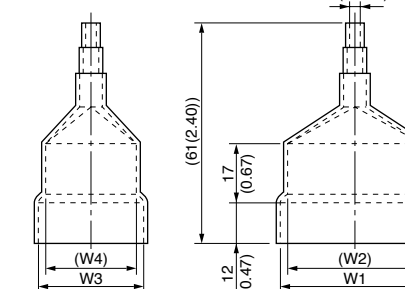
Capacitor (dimensions) [attachment]

Unit: mm (inch)



Capacitor cap (dimensions) [option]

Unit: mm (inch)



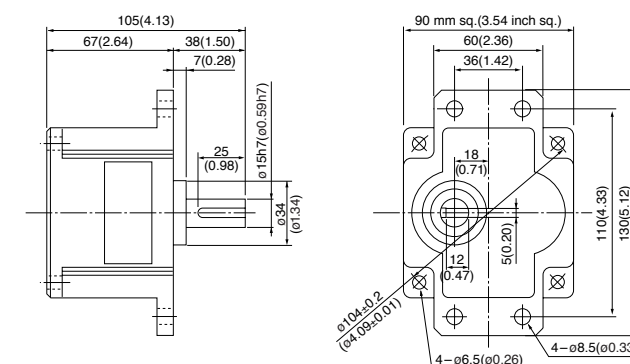
Capacitor dimension list Unit: upper (mm) / lower (inch)

Model number of motor	Model number of capacitor (attachment)	L	W	D	H	T	Capacitor cap (option)	W1	W2	W3	W4
M91Z60H4L	M0PC15M21	39.5 (1.56)	26.7 (1.05)	37 (1.46)	41 (1.61)	4 (0.16)	M0PC3926	39.5 (1.56)	37.5 (1.48)	26 (1.02)	25 (0.98)
M91Z60H4Y	M0PC3.8M40	50 (1.97)	26.7 (1.05)	37.5 (1.48)	38 (1.50)	4 (0.16)	M0PC5026	50 (1.97)	48 (1.89)	26 (1.02)	22 (0.87)

Gear head (dimensions)

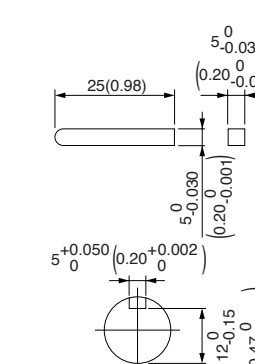
Scale: 1/4, Unit: mm (inch)

MY9G□H (ball bearing) Mass 1.5 kg (3.31 lb)



Key and keyway (dimensions) [attachment]

MY9G□M



(Note) Because the dimensions may be subject to change, also check the determinate dimensions if the gear head is to be used for design.

Specifications

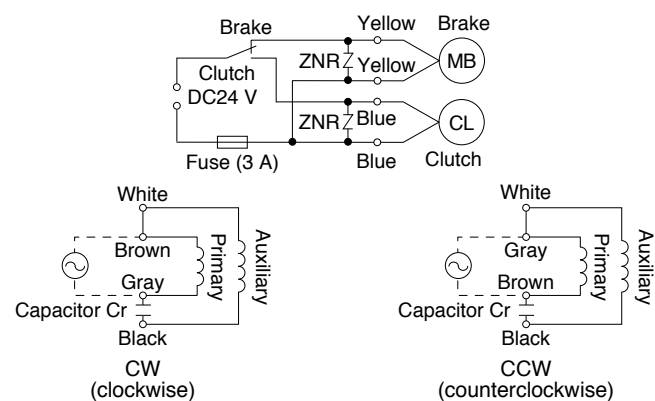
Size	Motor model No.	Motor characteristics											
		Number of pole (P)	Output (W)	Voltage (V)	Frequency (Hz)	Rating (min)	Rating				Starting current (A)	Starting torque N·m (oz-in)	Capacitor (μF) (rated voltage)
							Input (W)	Current (A)	Speed (r/min)	Torque N·m (oz-in)			
90 mm sq.	M91Z90H4L	4	90	100	50	Cont.	153	1.6	1325	0.65(92.0)	3.3	0.47 (66.6)	25 (200 V)
							160	1.6	1625	0.53(75.1)	3.0		5.8 (400 V)
	200			50	150		0.75	1325	0.62(87.8)	1.7			
					160		0.80	1650	0.51(72.2)	1.5			

Size	Motor model No.	Clutch and brake characteristics						
		Static friction torque N·m (oz-in)	Rating Voltage (DC-V)	Capacity (W About 75 °C)	Response time			
Clutch	Brake				Armature absorbing time (ms)	Armature release time (ms)	Actual torque start time (ms)	
90 mm sq.	M91Z90H4L	1.47 (208)	24	7	15	25	20	
								Brake
	M91Z90H4Y							Clutch
								Brake

(Make selection while referring to the output selection diagrams for C&B motor shown on pages B-346 to 347.)

Reduction ratio	3	3.6	5	6	7.5	9	10	12.5	15	18	20	25	30	36	50	60	75	90	100	120	150	180	200	
Speed (r/min)	500	416.7	300	250	200	166.7	150	120	100	83.3	75	60	50	41.7	30	25	20	16.7	15	12.5	10	8.3	7.5	
	60 Hz	600	500	360	300	240	200	180	144	120	100	90	72	60	50	36	30	24	20	18	15	12	10	9
Applicable gear head	MY9G3H to MY9G200H (ball bearing)		Rotational direction Same as motor rotational direction				Reverse to motor rotational direction				Same as motor rotational direction				Reverse to motor rotational direction									

Connection diagram



- (Note)
- ZNR not supplied
 - Use a fuse for the clutch and brake power supply.
 - Use a circuit breaker (MCCB) be sure to the motor power supply.

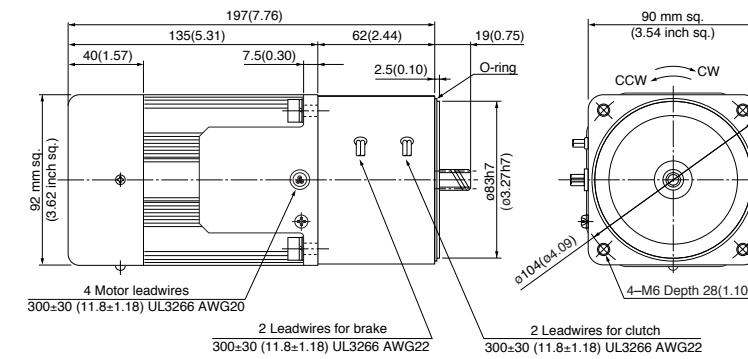
* Please read your User's manual carefully so that you will understand the operation and safety precautions before attempting to operate the system.

Motor (dimensions)

Scale: 1/3, Unit: mm (inch)

M91Z90H4L 4P 90 W 100 V
M91Z90H4Y 4P 90 W 200 V

Mass 4.13 kg 9.11 lb
Helical gear
Module 0.8
Number of teeth 11

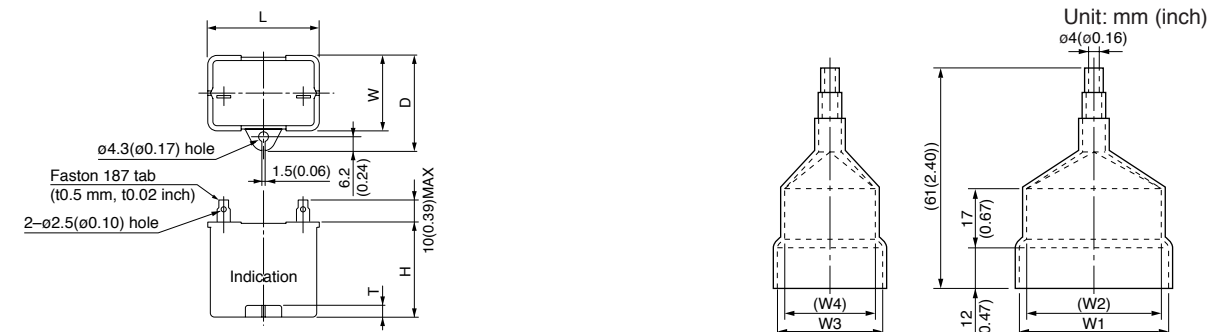


Capacitor (dimensions) [attachment]

Unit: mm (inch)

Capacitor cap (dimensions) [option]

Unit: mm (inch)



Capacitor dimension list Unit: upper (mm) / lower (inch)

Model number of motor	Model number of capacitor (attachment)	L	W	D	H	T	Capacitor cap (option)	W1	W2	W3	W4
M91Z90H4L	M0PC25M20	50.2 (1.98)	31 (1.22)	41 (1.61)	42 (1.65)	5 (0.20)	M0PC5032	50 (1.97)	48 (1.89)	32.5 (1.28)	29.5 (1.16)
M91Z90H4Y	M0PC5.8M40	50 (1.97)	30.5 (1.20)	41 (1.61)	41.5 (1.63)	4 (0.16)	M0PC5032	50 (1.97)	48 (1.89)	32.5 (1.28)	29.5 (1.16)

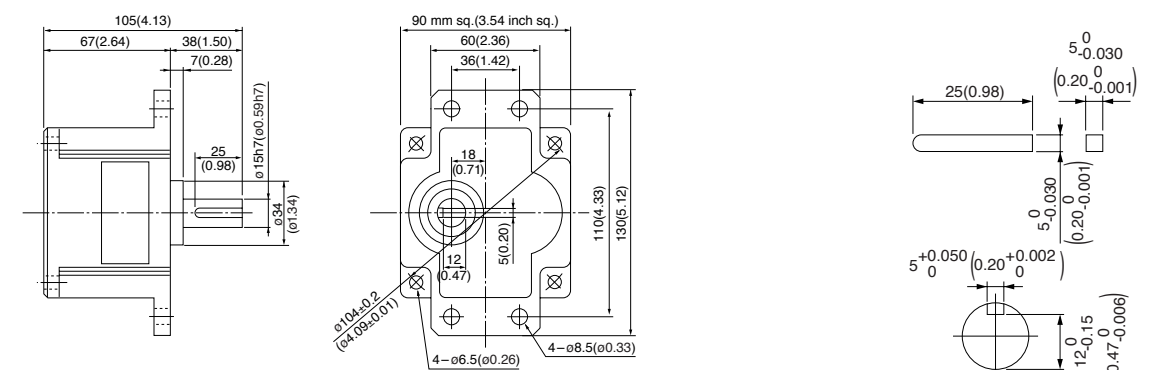
Gear head (dimensions)

Scale: 1/4, Unit: mm (inch)

MY9G□H (ball bearing) Mass 1.5 kg (3.31 lb)

Key and keyway (dimensions) [attachment]

MY9G□H



(Note) Because the dimensions may be subject to change, also check the determinate dimensions if the gear head is to be used for design.

Specifications

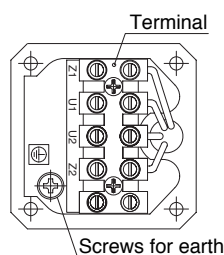
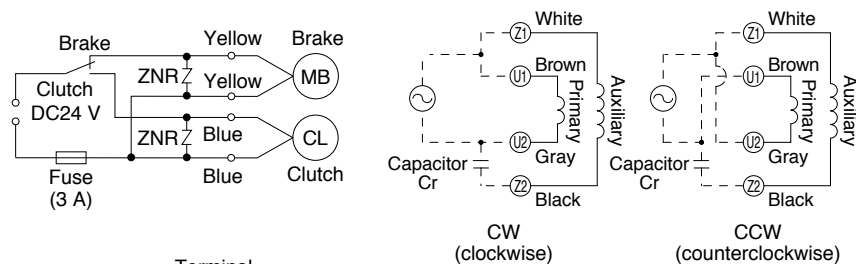
Size	Motor model No.	Motor characteristics											
		Number of pole (P)	Output (W)	Voltage (V)	Frequency (Hz)	Rating (min)	Rating				Starting current (A)	Starting torque N·m (oz·in)	Capacitor (μF) (rated voltage)
80 mm sq.	M81X25HK4L	4	25	100	50	Cont.	51	0.55	1250	0.19(26.9)	0.98	0.16 (22.7)	6 (200 V)
							49	0.48	1550	0.15(21.2)	0.94		
	200			50	51		0.27	1250	0.19(26.9)	0.50			
					49		0.24	1575	0.15(21.2)	0.47			

Size	Motor model No.	Clutch and brake characteristics						
		Static friction torque N·m (oz·in)	Rating Voltage (DC-V)	Capacity (W About 75 °C)	Response time			
80 mm sq.	M81X25HK4L	Clutch	0.980 (139)	24	7	15	25	20
		Brake						
	M81X25HK4Y	Clutch						
		Brake						

(Make selection while referring to the output selection diagrams for C&B motor shown on pages B-346 to 347.)

Reduction ratio	3	3.6	5	6	7.5	9	10	12.5	15	18	20	25	30	36	50	60	75	90	100	120	150	180			
Speed (r/min)	500	416.7	300	250	200	166.7	150	120	100	83.3	75	60	50	41.7	30	25	20	16.7	15	12.5	10	8.3			
	600	500	360	300	240	200	180	144	120	100	90	72	60	50	36	30	24	20	18	15	12	10			
Applicable gear head	MX8G3H to MX8G180H (ball bearing)										Same as motor rotational direction					Reverse to motor rotational direction					Same as motor rotational direction				
Rotational direction	Same as motor rotational direction																								

Connection diagram



- (Note)
1. Diameter of applicable cabtyre cable to be $\phi 8$ mm ($\phi 0.31$ inch) to $\phi 12$ mm ($\phi 0.47$ inch).
 2. ZNR not supplied
 3. Use a fuse for the clutch and brake power supply.
 4. Use a circuit breaker (MCCB) be sure to the motor power supply.

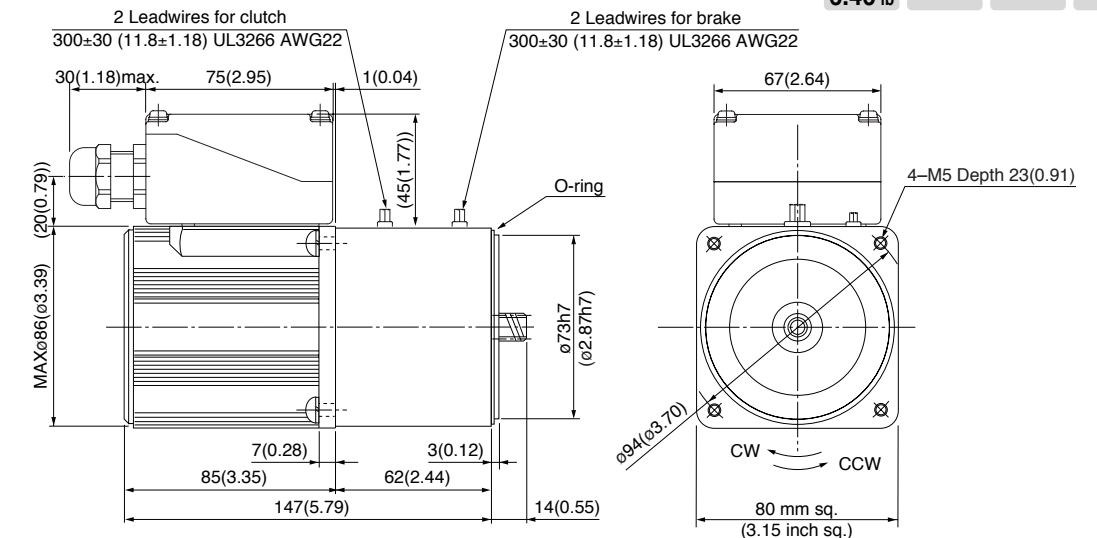
* Please read your User's manual carefully so that you will understand the operation and safety precautions before attempting to operate the system.

Motor (dimensions)

Scale: 1/3, Unit: mm (inch)

M81X25HK4L 4P 25 W 100 V
M81X25HK4Y 4P 25 W 200 V

Mass 2.93 kg 6.46 lb
Helical gear
Module 0.6
Number of teeth 11



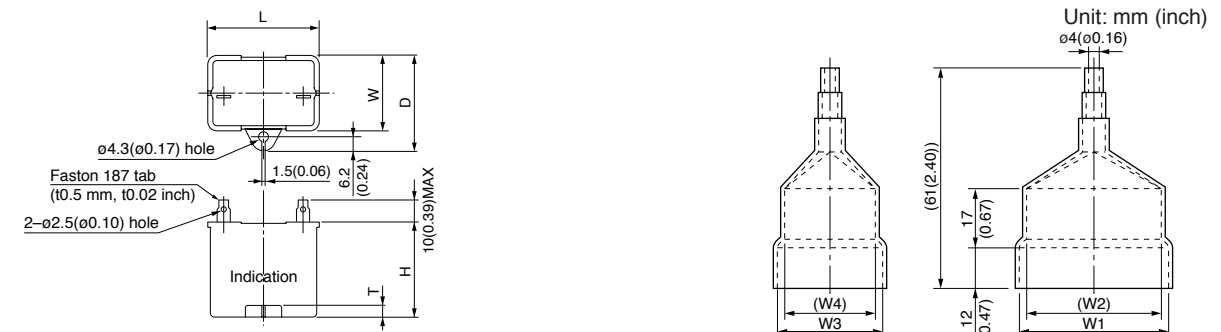
* Diameter of applicable cabtyre cable to be $\phi 8$ ($\phi 0.31$) to $\phi 12$ ($\phi 0.47$).

Capacitor (dimensions) [attachment]

Unit: mm (inch)

Capacitor cap (dimensions) [option]

Unit: mm (inch)



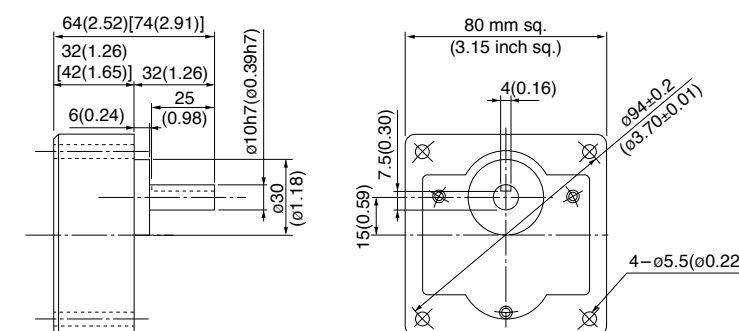
Capacitor dimension list Unit: upper (mm) / lower (inch)

Model number of motor	Model number of capacitor (attachment)	L	W	D	H	T	Capacitor cap (option)	W1	W2	W3	W4
M81X25HK4L	M0PC6M20	39.5 (1.56)	17.5 (0.69)	28 (1.10)	30.5 (1.20)	4 (0.16)	M0PC3917	39.5 (1.56)	37.5 (1.48)	17 (0.67)	15 (0.59)
M81X25HK4Y	M0PC1.5M40	39.5 (1.56)	22 (0.87)	32.5 (1.28)	32.5 (1.28)	4 (0.16)	M0PC3922	39.5 (1.56)	37.5 (1.48)	22 (0.87)	20 (0.79)

Gear head (dimensions)

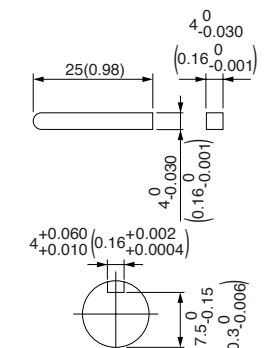
Scale: 1/3, Unit: mm (inch)

MX8G□H (ball bearing) Mass 0.68 kg (1.50 lb)



Key and keyway (dimensions) [attachment]

MX8G□H



* Figures in [] represent the dimensions of MX8G□H (1/30 or larger reduction ratio).

(Note) Because the dimensions may be subject to change, also check the determinate dimensions if the gear head is to be used for design.

C&B motor (induction motor sealed connector)

90 mm (3.54 inch) sq. 40 W

Specifications

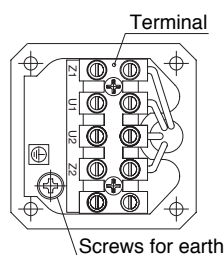
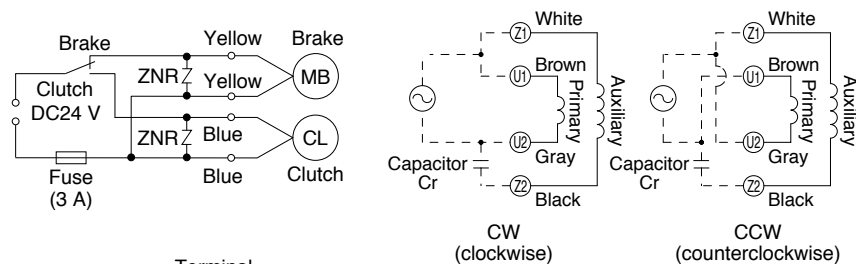
Size	Motor model No.	Motor characteristics												
		Number of pole (P)	Output (W)	Voltage (V)	Frequency (Hz)	Rating (min)	Rating				Starting current (A)	Starting torque N·m (oz·in)	Capacitor (μF) (rated voltage)	
90 mm sq.	M91X40HK4L	4	40	100	50	Cont.	Input (W)	Current (A)	Speed (r/min)	Torque N·m (oz·in)	1.5	0.24(34.0)	10 (200 V)	
							78	0.86	1225	0.30(42.5)				
	M91X40HK4Y			200	50		60	72	0.72	1550	0.25(35.4)	0.83	0.25(35.4)	2.5 (400 V)
								79	0.43	1250	0.30(42.5)			
							72	0.36	1575	0.24(34.0)	0.76	0.25(35.4)		

Size	Motor model No.	Clutch and brake characteristics						
		Static friction torque N·m (oz·in)	Rating Voltage (DC-V)	Capacity (W About 75 °C)	Response time			
90 mm sq.	M91X40HK4L	Clutch	1.47 (208)	24	7	15	25	20
		Brake						
	M91X40HK4Y	Clutch						
		Brake						

(Make selection while referring to the output selection diagrams for C&B motor shown on pages B-346 to 347.)

Reduction ratio	3	3.6	5	6	7.5	9	10	12.5	15	18	20	25	30	36	50	60	75	90	100	120	150	180				
Speed (r/min)	500	416.7	300	250	200	166.7	150	120	100	83.3	75	60	50	41.7	30	25	20	16.7	15	12.5	10	8.3				
	600	500	360	300	240	200	180	144	120	100	90	72	60	50	36	30	24	20	18	15	12	10				
Applicable gear head	MX9G3H to MX9G180H (ball bearing)											Same as motor rotational direction					Reverse to motor rotational direction					Same as motor rotational direction				
Rotational direction	Same as motor rotational direction																									

Connection diagram



- (Note)
1. Diameter of applicable cabtyre cable to be $\phi 8$ mm ($\phi 0.31$ inch) to $\phi 12$ mm ($\phi 0.47$ inch).
 2. ZNR not supplied
 3. Use a fuse for the clutch and brake power supply.
 4. Use a circuit breaker (MCCB) be sure to the motor power supply.

* Please read your User's manual carefully so that you will understand the operation and safety precautions before attempting to operate the system.

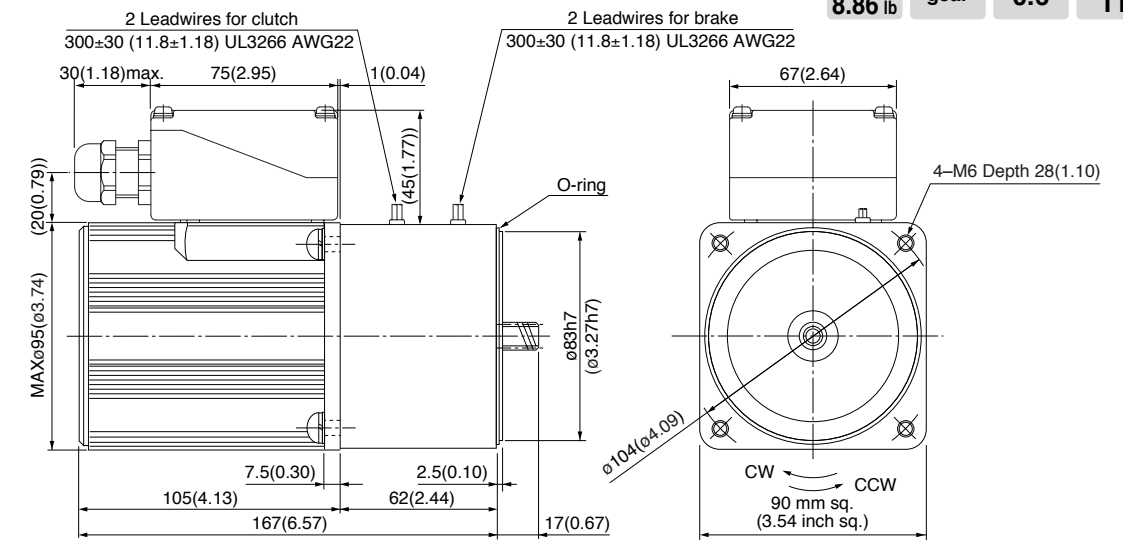
Motor (dimensions)

Scale: 1/3, Unit: mm (inch)

M91X40HK4L
M91X40HK4Y

4P 40 W 100 V
4P 40 W 200 V

Mass 4.02 kg 8.86 lb
Helical gear
Module 0.6
Number of teeth 11



* Diameter of applicable cabtyre cable to be $\phi 8$ ($\phi 0.31$) to $\phi 12$ ($\phi 0.47$).

Capacitor (dimensions) [attachment]

Unit: mm (inch)

Capacitor cap (dimensions) [option]

Unit: mm (inch)



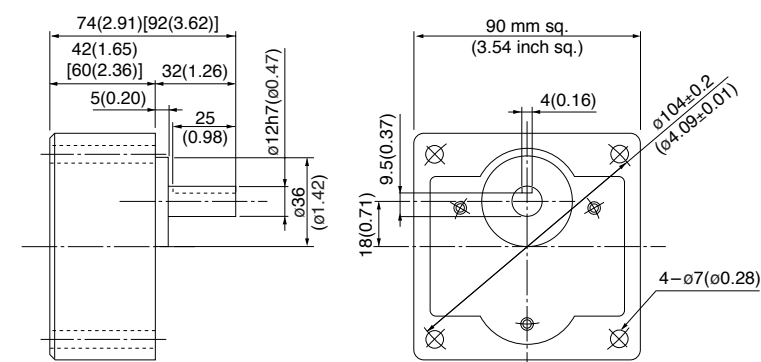
Capacitor dimension list Unit: upper (mm) / lower (inch)

Model number of motor	Model number of capacitor (attachment)	L	W	D	H	T	Capacitor cap (option)	W1	W2	W3	W4
M91X40HK4L	M0PC10M20	39.5 (1.56)	26.7 (1.05)	37 (1.46)	32 (1.26)	4 (0.16)	M0PC3926	39.5 (1.56)	37.5 (1.48)	26 (1.02)	25 (0.98)
M91X40HK4Y	M0PC2.5M40	49.7 (1.96)	24 (0.94)	34.5 (1.36)	34.5 (1.36)	4 (0.16)	M0PC5026	50 (1.97)	48 (1.89)	26 (1.02)	22 (0.87)

Gear head (dimensions)

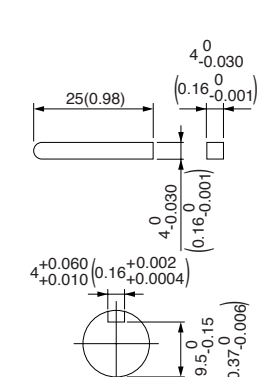
Scale: 1/3, Unit: mm (inch)

MX9G□H (ball bearing) Mass 1.2 kg (2.65 lb)



Key and keyway (dimensions) [attachment]

MX9G□H



* Figures in [] represent the dimensions of MX9G□H (1/20 or larger reduction ratio).

(Note) Because the dimensions may be subject to change, also check the determinate dimensions if the gear head is to be used for design.

C&B motor (induction motor sealed connector)

90 mm (3.54 inch) sq. 60 W

Specifications

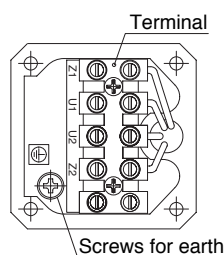
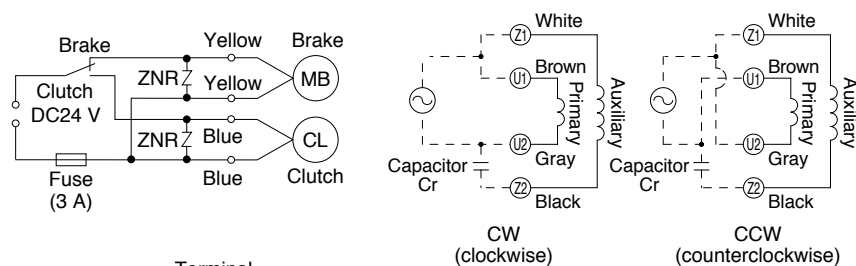
Size	Motor model No.	Motor characteristics											
		Number of pole (P)	Output (W)	Voltage (V)	Frequency (Hz)	Rating (min)	Rating				Starting current (A)	Starting torque N-m (oz-in)	Capacitor (μF) (rated voltage)
90 mm sq.	M91Z60HK4L	4	60	100	50	Cont.	118	1.3	1250	0.46(65.1)	2.2	0.41(58.1)	15 (210 V)
					60		117	1.2	1550	0.36(51.0)		0.42(59.5)	
	M91Z60HK4Y			200	50	1.1	120	0.65	1200	0.46(65.1)	0.42(59.5)	3.8 (400 V)	
					60		119	0.59	1550	0.36(51.0)	0.44(62.3)		

Size	Motor model No.	Clutch and brake characteristics						
		Static friction torque N-m (oz-in)	Rating Voltage (DC-V)	Capacity W About 75 °C	Response time			
90 mm sq.	M91Z60HK4L	Clutch	1.47 (208)	24	7	15	25	20
		Brake			5			
	M91Z60HK4Y	Clutch			7			
		Brake			5			

(Make selection while referring to the output selection diagrams for C&B motor shown on pages B-346 to 347.)

Reduction ratio	3	3.6	5	6	7.5	9	10	12.5	15	18	20	25	30	36	50	60	75	90	100	120	150	180	200
Speed (r/min)	500	416.7	300	250	200	166.7	150	120	100	83.3	75	60	50	41.7	30	25	20	16.7	15	12.5	10	8.3	7.5
	600	500	360	300	240	200	180	144	120	100	90	72	60	50	36	30	24	20	18	15	12	10	9
Applicable gear head	MY9G3H to MY9G200H (ball bearing)		Rotational direction				Same as motor rotational direction				Reverse to motor rotational direction				Same as motor rotational direction				Reverse to motor rotational direction				

Connection diagram



- (Note)
1. Diameter of applicable cabyre cable to be $\phi 8$ mm ($\phi 0.31$ inch) to $\phi 12$ mm ($\phi 0.47$ inch).
 2. ZNR not supplied
 3. Use a fuse for the clutch and brake power supply.
 4. Use a circuit breaker (MCCB) be sure to the motor power supply.

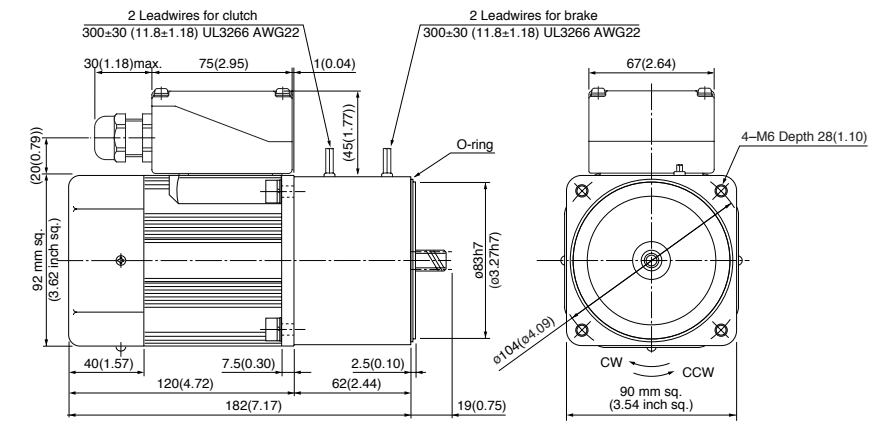
* Please read your User's manual carefully so that you will understand the operation and safety precautions before attempting to operate the system.

Motor (dimensions)

Scale: 1/3, Unit: mm (inch)

M91Z60HK4L 4P 60 W 100 V
M91Z60HK4Y 4P 60 W 200 V

Mass 4.23 kg 9.33 lb
Helical gear
Module 0.8
Number of teeth 11



* Diameter of applicable cabyre cable to be $\phi 8$ ($\phi 0.31$) to $\phi 12$ ($\phi 0.47$).

Capacitor (dimensions) [attachment]

Unit: mm (inch)

Capacitor cap (dimensions) [option]

Unit: mm (inch)



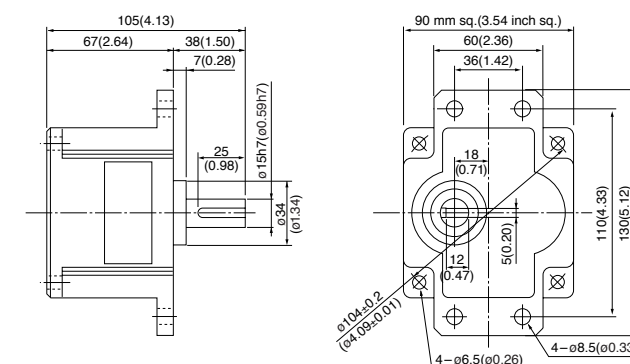
Capacitor dimension list Unit: upper (mm) / lower (inch)

Model number of motor	Model number of capacitor (attachment)	L	W	D	H	T	Capacitor cap (option)	W1	W2	W3	W4
M91Z60HK4L	M0PC15M21	39.5 (1.56)	26.7 (1.05)	37 (1.46)	41 (1.61)	4 (0.16)	M0PC3926	39.5 (1.56)	37.5 (1.48)	26 (1.02)	25 (0.98)
M91Z60HK4Y	M0PC3.8M40	50 (1.97)	26.7 (1.05)	37.5 (1.48)	38 (1.50)	4 (0.16)	M0PC5026	50 (1.97)	48 (1.89)	26 (1.02)	22 (0.87)

Gear head (dimensions)

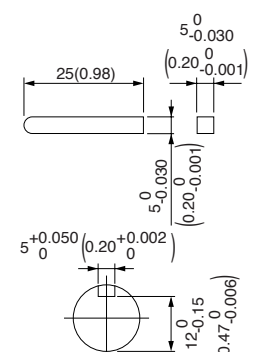
Scale: 1/4, Unit: mm (inch)

MY9G□H (ball bearing) Mass 1.5 kg (3.31 lb)



Key and keyway (dimensions) [attachment]

MY9G□H



(Note) Because the dimensions may be subject to change, also check the determinate dimensions if the gear head is to be used for design.

C&B motor (induction motor sealed connector)

90 mm (3.54 inch) sq. 90 W

Specifications

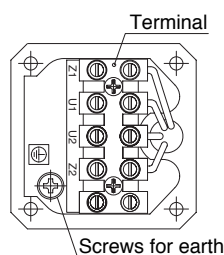
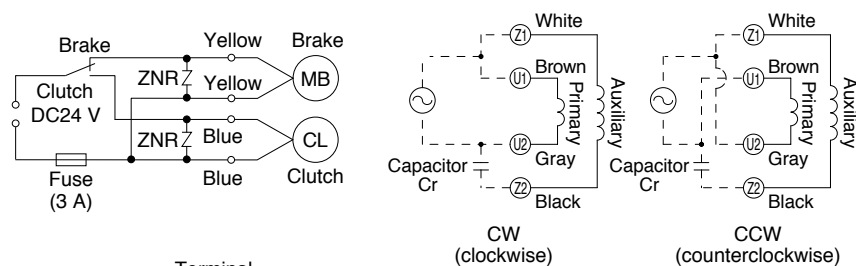
Size	Motor model No.	Motor characteristics											
		Number of pole (P)	Output (W)	Voltage (V)	Frequency (Hz)	Rating (min)	Rating				Starting current (A)	Starting torque N-m (oz-in)	Capacitor (μF) (rated voltage)
90 mm sq.	M91Z90HK4L	4	90	100	50	Cont.	153	1.6	1325	0.65(92.1)	3.3	0.47 (66.6)	25 (200 V)
							160	1.6	1625	0.53(75.1)	3.0		
	200			50	150		0.75	1325	0.62(87.8)	1.7			
					160		0.80	1625	0.51(72.2)	1.5			

Size	Motor model No.	Clutch and brake characteristics						
		Static friction torque N-m (oz-in)	Rating Voltage (DC-V)	Capacity W About 75 °C	Response time			
90 mm sq.	M91Z90HK4L	Clutch	1.47 (208)	24	7	15	25	20
		Brake			5			
	M91Z90HK4Y	Clutch			7			
		Brake			5			

(Make selection while referring to the output selection diagrams for C&B motor shown on pages B-346 to 347.)

Reduction ratio	3	3.6	5	6	7.5	9	10	12.5	15	18	20	25	30	36	50	60	75	90	100	120	150	180	200
Speed (r/min)	500	416.7	300	250	200	166.7	150	120	100	83.3	75	60	50	41.7	30	25	20	16.7	15	12.5	10	8.3	7.5
	600	500	360	300	240	200	180	144	120	100	90	72	60	50	36	30	24	20	18	15	12	10	9
Applicable gear head	MY9G3H to MY9G200H (ball bearing)		Rotational direction				Same as motor rotational direction				Reverse to motor rotational direction				Same as motor rotational direction				Reverse to motor rotational direction				

Connection diagram



- (Note)
1. Diameter of applicable cable to be $\phi 8$ mm ($\phi 0.31$ inch) to $\phi 12$ mm ($\phi 0.47$ inch).
 2. ZNR not supplied
 3. Use a fuse for the clutch and brake power supply.
 4. Use a circuit breaker (MCCB) be sure to the motor power supply.

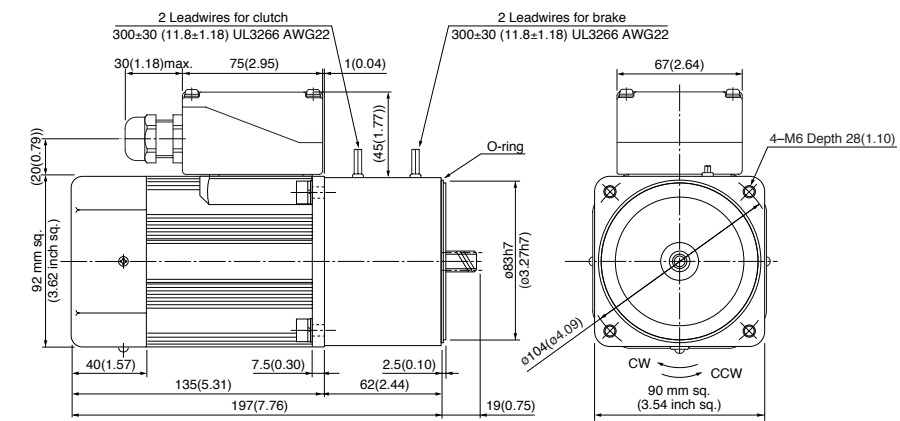
* Please read your User's manual carefully so that you will understand the operation and safety precautions before attempting to operate the system.

Motor (dimensions)

Scale: 1/3, Unit: mm (inch)

M91Z90HK4L 4P 90 W 100 V
M91Z90HK4Y 4P 90 W 200 V

Mass 4.50 kg 9.92 lb
Helical gear
Module 0.8
Number of teeth 11



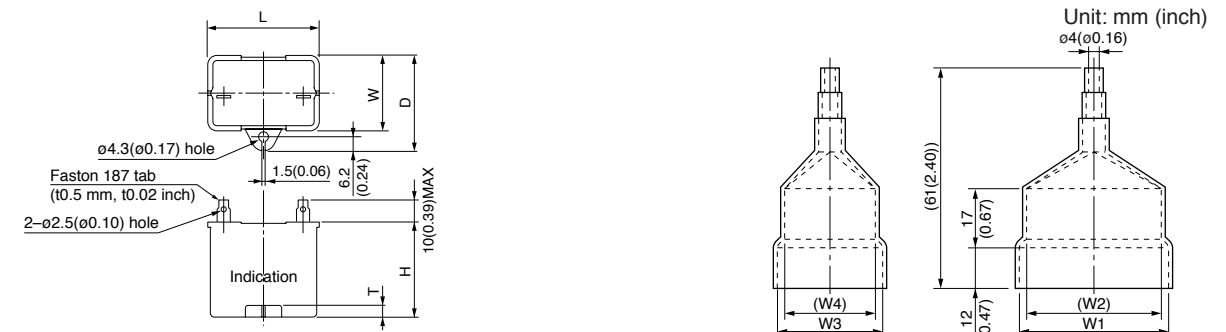
* Diameter of applicable cable to be $\phi 8(\phi 0.31)$ to $\phi 12(\phi 0.47)$.

Capacitor (dimensions) [attachment]

Unit: mm (inch)

Capacitor cap (dimensions) [option]

Unit: mm (inch)



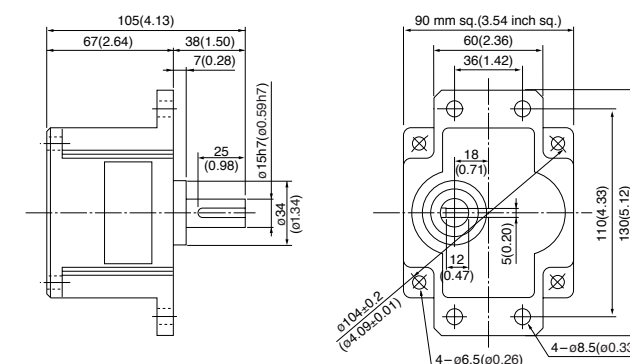
Capacitor dimension list Unit: upper (mm) / lower (inch)

Model number of motor	Model number of capacitor (attachment)	L	W	D	H	T	Capacitor cap (option)	W1	W2	W3	W4
M91Z90HK4L	M0PC25M20	50.2 (1.98)	31 (1.22)	41 (1.61)	42 (1.65)	5 (0.20)	M0PC5032	50 (1.97)	48 (1.89)	32.5 (1.28)	29.5 (1.16)
M91Z90HK4Y	M0PC5.8M40	50 (1.97)	30.5 (1.20)	41 (1.61)	41.5 (1.63)	4 (0.16)	M0PC5032	50 (1.97)	48 (1.89)	32.5 (1.28)	29.5 (1.16)

Gear head (dimensions)

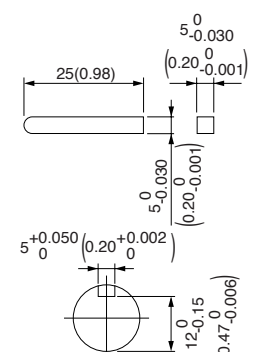
Scale: 1/4, Unit: mm (inch)

MY9G□H (ball bearing) Mass 1.5 kg (3.31 lb)



Key and keyway (dimensions) [attachment]

MY9G□H



(Note) Because the dimensions may be subject to change, also check the determinate dimensions if the gear head is to be used for design.

Specifications

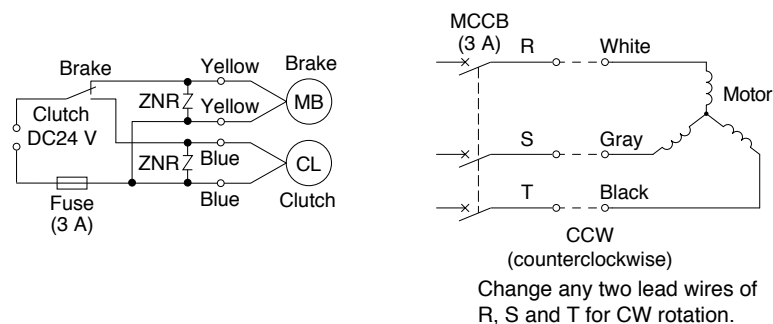
Size	Motor model No.	Motor characteristics										
		Number of pole (P)	Output (W)	Voltage (V)	Frequency (Hz)	Rating (min)	Rating				Starting current (A)	Starting torque N·m (oz-in)
							Input (W)	Current (A)	Speed (r/min)	Torque N·m (oz-in)		
80 mm sq.	M8MX25H4Y	4	25	200	50	Cont.	50	0.25	1350	0.18(25.5)	0.62	0.54(76.5)
							47	0.22	1625	0.15(21.2)	0.58	0.40(56.6)
				220	50	Cont.	54	0.27	1375	0.18(25.5)	0.67	0.66(93.5)
							49	0.23	1650	0.15(21.2)	0.64	0.50(70.8)

Size	Motor model No.	Clutch and brake characteristics									
		Static friction torque N·m (oz-in)	Rating Voltage (DC-V)	Capacity (W About 75 °C)	Response time						
Clutch	Brake				Clutch	Brake	Armature absorbing time (ms)	Armature release time (ms)	Actual torque start time (ms)		
80 mm sq.	M8MX25H4Y	0.980 (139)	24	7	15	25	20	Clutch	Brake	Clutch	Brake
								Brake	Clutch	Brake	
								Clutch	Brake	Clutch	Brake
								Brake	Clutch	Brake	Clutch

(Make selection while referring to the output selection diagrams for C&B motor shown on pages B-346 to 347.)

Reduction ratio		3	3.6	5	6	7.5	9	10	12.5	15	18	20	25	30	36	50	60	75	90	100	120	150	180																						
Speed (r/min)	50 Hz	500	416.7	300	250	200	166.7	150	120	100	83.3	75	60	50	41.7	30	25	20	16.7	15	12.5	10	8.3																						
	60 Hz	600	500	360	300	240	200	180	144	120	100	90	72	60	50	36	30	24	20	18	15	12	10																						
Applicable gear head	MX8G3H to MX8G180H (ball bearing)	Rotational direction											Same as motor rotational direction											Reverse to motor rotational direction											Same as motor rotational direction										

Connection diagram



- (Note)
- ZNR not supplied
 - Use a fuse for the clutch and brake power supply.
 - Use a circuit breaker (MCCB) be sure to the motor power supply.

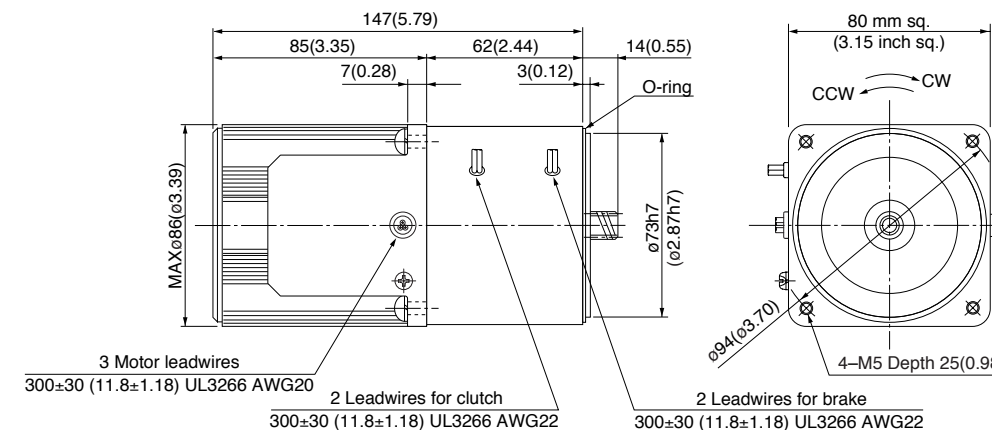
* Please read your User's manual carefully so that you will understand the operation and safety precautions before attempting to operate the system.

Motor (dimensions)

Scale: 1/3, Unit: mm (inch)

M8MX25H4Y 4P 25 W 200 V / 220 V

Mass 2.63 kg 5.80 lb
Helical gear
Module 0.6
Number of teeth 11



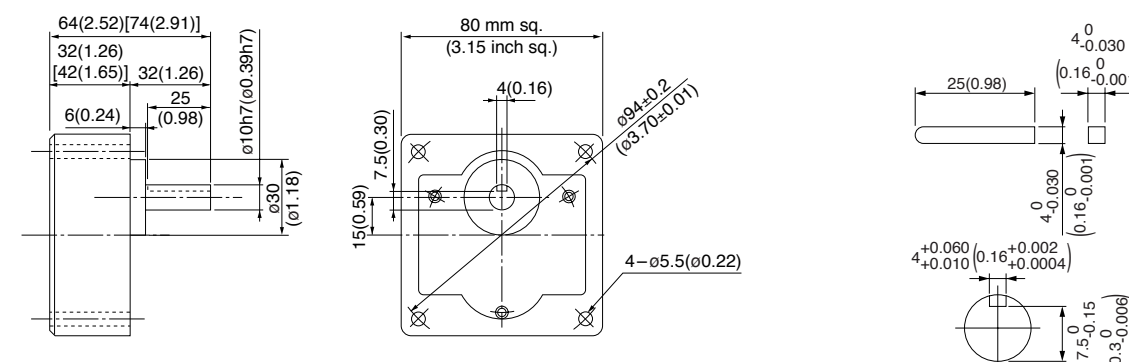
Gear head (dimensions)

Scale: 1/3, Unit: mm (inch)

MX8G□H (ball bearing) Mass 0.68 kg (1.50 lb)

Key and keyway (dimensions) [attachment]

MX8G□H



* Figures in [] represent the dimensions of MX8G□H (1/30 or larger reduction ratio).

(Note) Because the dimensions may be subject to change, also check the determinate dimensions if the gear head is to be used for design.

Specifications

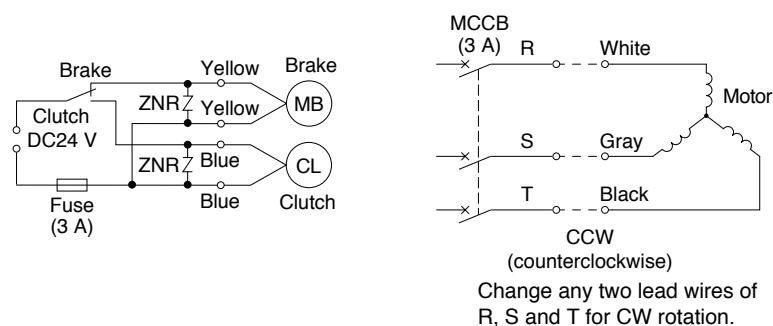
Size	Motor model No.	Motor characteristics										
		Number of pole (P)	Output (W)	Voltage (V)	Frequency (Hz)	Rating (min)	Rating				Starting current (A)	Starting torque N·m (oz-in)
90 mm sq.	M9MX40H4Y	4	40	200	50	Cont.	Input (W)	Current (A)	Speed (r/min)	Torque N·m (oz-in)	0.90	0.72(102)
							69	0.31	1350	0.28(39.7)		
				220	60	Cont.	68	0.29	1625	0.24(34.0)	0.82	0.51(72.2)
							70	0.32	1375	0.27(38.2)	1.0	0.88(125)
						66	0.28	1675	0.23(32.6)	0.91	0.63(89.2)	

Size	Motor model No.	Clutch and brake characteristics						
		Static friction torque N·m (oz-in)	Rating Voltage (DC-V)	Capacity (W About 75 °C)	Response time			
90 mm sq.	M9MX40H4Y	Clutch	1.47 (208)	24	7	15	25	20
		Brake			5			
		Clutch			7			
		Brake			5			

(Make selection while referring to the output selection diagrams for C&B motor shown on pages B-346 to 347.)

Reduction ratio		3	3.6	5	6	7.5	9	10	12.5	15	18	20	25	30	36	50	60	75	90	100	120	150	180						
Speed (r/min)	50 Hz	500	416.7	300	250	200	166.7	150	120	100	83.3	75	60	50	41.7	30	25	20	16.7	15	12.5	10	8.3						
	60 Hz	600	500	360	300	240	200	180	144	120	100	90	72	60	50	36	30	24	20	18	15	12	10						
Applicable gear head	MX9G3H to MX9G180H (ball bearing)	Rotational direction										Same as motor rotational direction						Reverse to motor rotational direction						Same as motor rotational direction					

Connection diagram



- (Note)
- ZNR not supplied
 - Use a fuse for the clutch and brake power supply.
 - Use a circuit breaker (MCCB) be sure to the motor power supply.

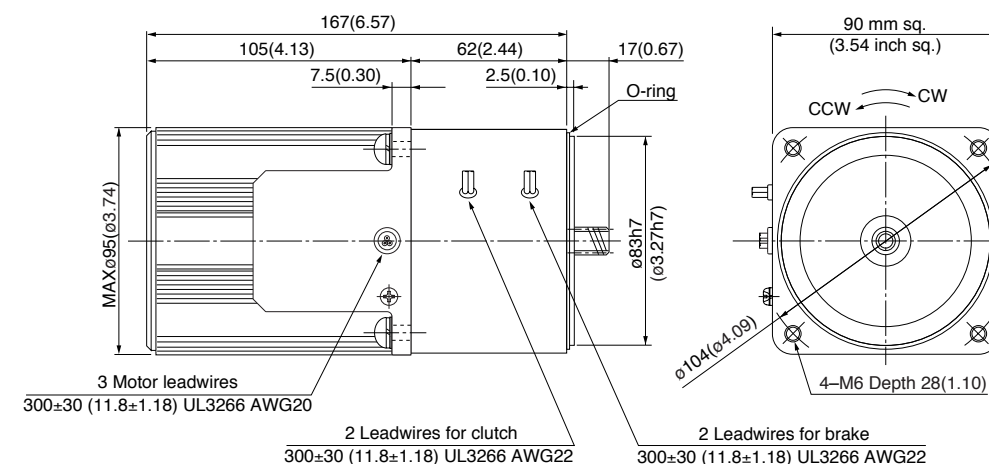
* Please read your User's manual carefully so that you will understand the operation and safety precautions before attempting to operate the system.

Motor (dimensions)

Scale: 1/3, Unit: mm (inch)

M9MX40H4Y 4P 40 W 200 V / 220 V

Mass 3.62 kg (7.98 lb)
Helical gear
Module 0.6
Number of teeth 11



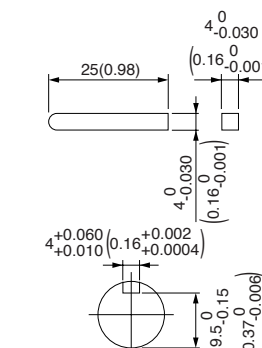
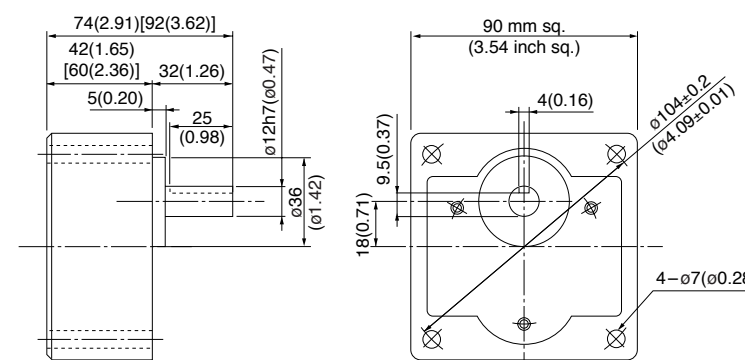
Gear head (dimensions)

Scale: 1/3, Unit: mm (inch)

Key and keyway (dimensions) [attachment]

MX9G□H (ball bearing) Mass 1.2 kg (2.65 lb)

MX9G□H



* Figures in [] represent the dimensions of MX9G□H (1/20 or larger reduction ratio).

(Note) Because the dimensions may be subject to change, also check the determinate dimensions if the gear head is to be used for design.

Specifications

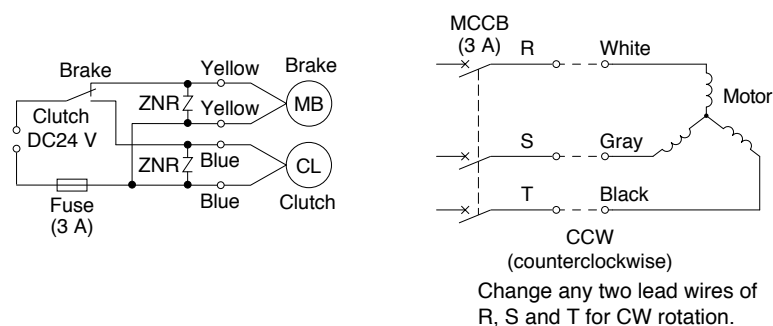
Size	Motor model No.	Number of pole (P)	Output (W)	Voltage (V)	Frequency (Hz)	Rating (min)	Motor characteristics				Starting current (A)	Starting torque N·m (oz-in)
							Input (W)	Current (A)	Speed (r/min)	Torque N·m (oz-in)		
90 mm sq.	M9MZ60H4Y	4	60	200	50	Cont.	101	0.45	1350	0.42(59.5)	1.3	1.0(142)
							96	0.41	1625	0.35(49.6)	1.2	0.69(97.7)
				220	50	Cont.	103	0.46	1375	0.41(58.1)	1.5	1.2(170)
							98	0.40	1650	0.34(48.2)	1.3	0.87(123)

Size	Motor model No.		Clutch and brake characteristics					
			Static friction torque N·m (oz-in)	Rating Voltage (DC-V)	Capacity (W About 75 °C)	Response time		
					Armature absorbing time (ms)	Armature release time (ms)	Actual torque start time (ms)	
90 mm sq.	M9MZ60H4Y	Clutch	1.47 (208)	24	7	15	25	20
		Brake			5			
		Clutch			7			
		Brake			5			

(Make selection while referring to the output selection diagrams for C&B motor shown on pages B-346 to 347.)

Reduction ratio	3	3.6	5	6	7.5	9	10	12.5	15	18	20	25	30	36	50	60	75	90	100	120	150	180	200	
Speed (r/min)	50 Hz	500	416.7	300	250	200	166.7	150	120	100	83.3	75	60	50	41.7	30	25	20	16.7	15	12.5	10	8.3	7.5
	60 Hz	600	500	360	300	240	200	180	144	120	100	90	72	60	50	36	30	24	20	18	15	12	10	9
Applicable gear head	MY9G3H to MY9G200H (ball bearing)	Rotational direction	Same as motor rotational direction				Reverse to motor rotational direction				Same as motor rotational direction				Reverse to motor rotational direction									

Connection diagram



- (Note)
- ZNR not supplied
 - Use a fuse for the clutch and brake power supply.
 - Use a circuit breaker (MCCB) be sure to the motor power supply.

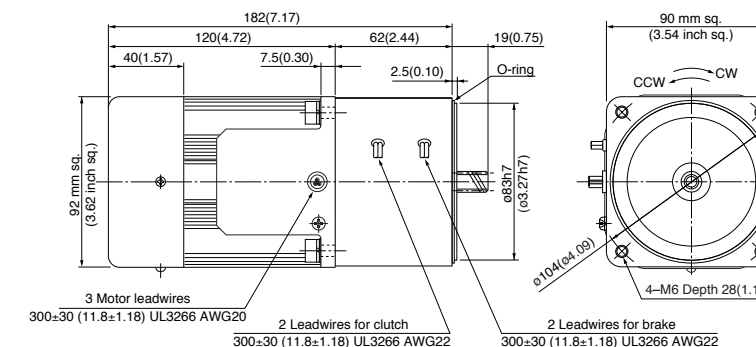
* Please read your User's manual carefully so that you will understand the operation and safety precautions before attempting to operate the system.

Motor (dimensions)

Scale: 1/4, Unit: mm (inch)

M9MZ60H4Y 4P 60 W 200 V / 220 V

Mass 3.92 kg 8.64 lb
Helical gear
Module 0.8
Number of teeth 11



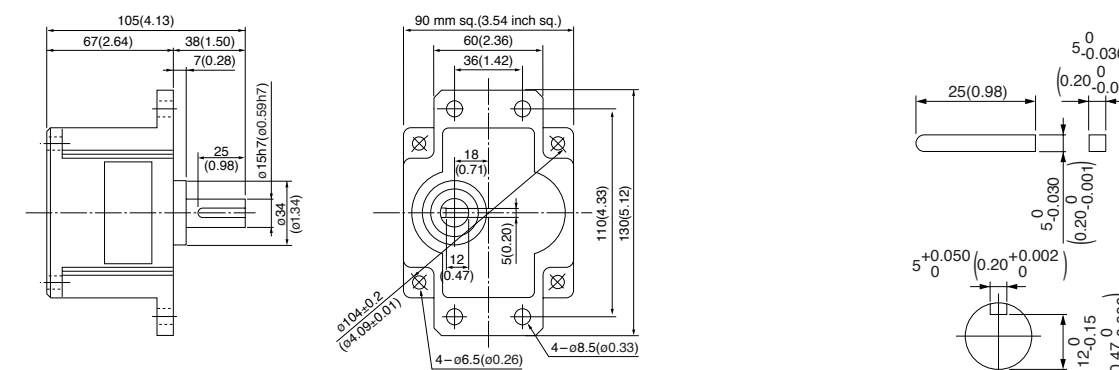
Gear head (dimensions)

Scale: 1/4, Unit: mm (inch)

MY9G□H (ball bearing) Mass 1.5 kg (3.31 lb)

Key and keyway (dimensions) [attachment]

MY9G□H



(Note) Because the dimensions may be subject to change, also check the determinate dimensions if the gear head is to be used for design.

Specifications

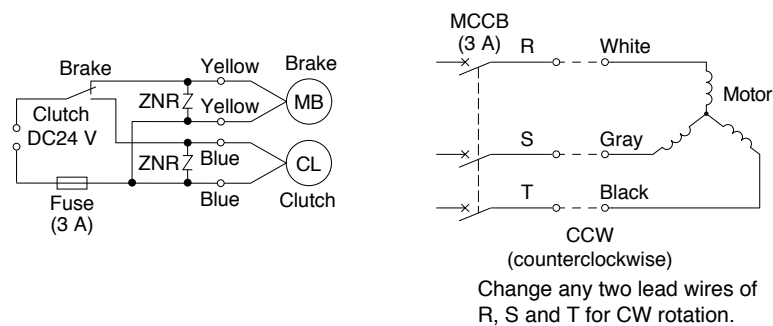
Size	Motor model No.	Motor characteristics										
		Number of pole (P)	Output (W)	Voltage (V)	Frequency (Hz)	Rating (min)	Rating				Starting current (A)	Starting torque N·m (oz-in)
							Input (W)	Current (A)	Speed (r/min)	Torque N·m (oz-in)		
90 mm sq.	M9MZ90H4Y	4	90	200	50	Cont.	141	0.62	1350	0.63(89.2)	2.0	1.6(227)
							137	0.56	1625	0.53(75.1)	1.8	1.1(156)
				220	50	Cont.	143	0.65	1400	0.62(87.8)	2.2	2.0(283)
							137	0.56	1650	0.52(73.6)	2.0	1.4(198)

Size	Motor model No.	Clutch and brake characteristics						
		Static friction torque N·m (oz-in)	Rating Voltage (DC-V)	Capacity (W About 75 °C)	Response time			
					Armature absorbing time (ms)	Armature release time (ms)	Actual torque start time (ms)	
90 mm sq.	M9MZ90H4Y	Clutch	1.47 (208)	24	7	15	25	20
		Brake						
		Clutch						
		Brake						

(Make selection while referring to the output selection diagrams for C&B motor shown on pages B-346 to 347.)

Reduction ratio	3 3.6 5 6 7.5 9 10 12.5 15 18 20 25 30 36 50 60 75 90 100 120 150 180 200																						
	Speed (r/min)																						
50 Hz	500	416.7	300	250	200	166.7	150	120	100	83.3	75	60	50	41.7	30	25	20	16.7	15	12.5	10	8.3	7.5
	60 Hz	600	500	360	300	240	200	180	144	120	100	90	72	60	50	36	30	24	20	18	15	12	10
Applicable gear head	MY9G3H to MY9G200H (ball bearing)	Rotational direction	Same as motor rotational direction					Reverse to motor rotational direction					Same as motor rotational direction					Reverse to motor rotational direction					

Connection diagram



- (Note)
- ZNR not supplied
 - Use a fuse for the clutch and brake power supply.
 - Use a circuit breaker (MCCB) be sure to the motor power supply.

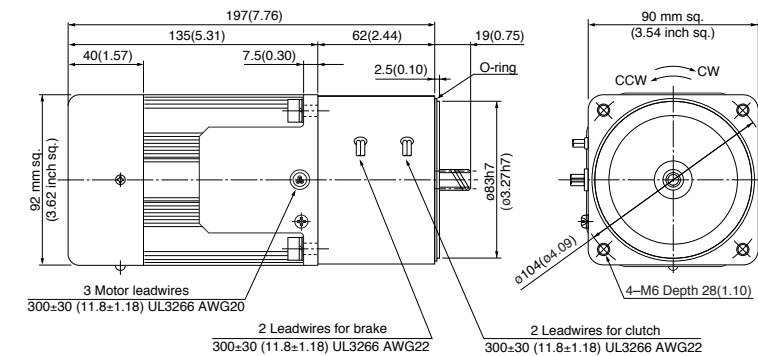
* Please read your User's manual carefully so that you will understand the operation and safety precautions before attempting to operate the system.

Motor (dimensions)

Scale: 1/4, Unit: mm (inch)

M9MZ90H4Y 4P 90 W 200 V / 220 V

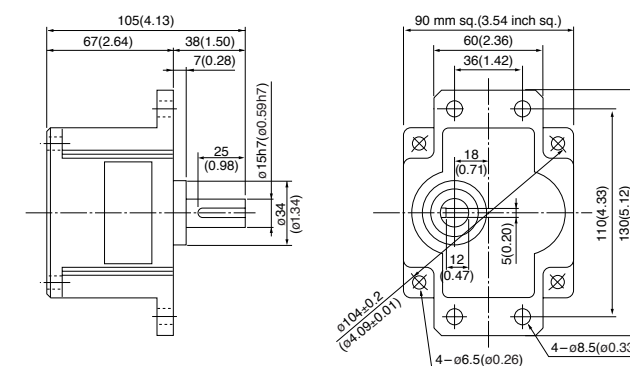
Mass 4.13 kg 9.11 lb
Helical gear
Module 0.8
Number of teeth 11



Gear head (dimensions)

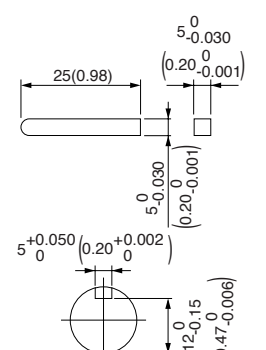
Scale: 1/4, Unit: mm (inch)

MY9G□H (ball bearing) Mass 1.5 kg (3.31 lb)



Key and keyway (dimensions) [attachment]

MY9G□H



(Note) Because the dimensions may be subject to change, also check the determinate dimensions if the gear head is to be used for design.

C&B motor (3-phase motor sealed connector)

80 mm (3.15 inch) sq. 25 W

Specifications

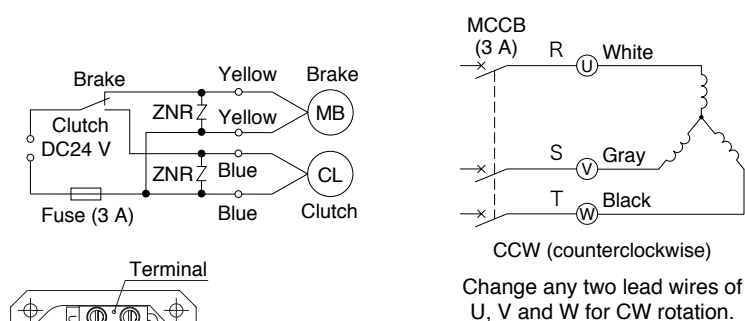
Size	Motor model No.	Motor characteristics										
		Number of pole (P)	Output (W)	Voltage (V)	Frequency (Hz)	Rating (min)	Rating				Starting current (A)	Starting torque N·m (oz-in)
							Input (W)	Current (A)	Speed (r/min)	Torque N·m (oz-in)		
80 mm sq.	M8MX25HK4Y	4	25	200	50	Cont.	50	0.25	1350	0.18(25.5)	0.62	0.54(76.5)
							47	0.22	1625	0.15(21.2)	0.58	0.40(56.6)
				220	50	Cont.	54	0.27	1375	0.18(25.5)	0.67	0.66(93.5)
							49	0.23	1650	0.15(21.2)	0.64	0.50(70.8)

Size	Motor model No.	Clutch and brake characteristics						
		Static friction torque N·m (oz-in)	Rating Voltage (DC-V)	Capacity (W About 75 °C)	Response time			
					Armature absorbing time (ms)	Armature release time (ms)	Actual torque start time (ms)	
80 mm sq.	M8MX25HK4Y	Clutch	0.980 (139)	24	7	15	25	20
		Brake						
		Clutch						
		Brake						

(Make selection while referring to the output selection diagrams for C&B motor shown on pages B-346 to 347.)

Reduction ratio		3	3.6	5	6	7.5	9	10	12.5	15	18	20	25	30	36	50	60	75	90	100	120	150	180																		
Speed (r/min)	50 Hz	500	416.7	300	250	200	166.7	150	120	100	83.3	75	60	50	41.7	30	25	20	16.7	15	12.5	10	8.3																		
	60 Hz	600	500	360	300	240	200	180	144	120	100	90	72	60	50	36	30	24	20	18	15	12	10																		
Applicable gear head	MX8G3H to MX8G180H (ball bearing)	Rotational direction										Same as motor rotational direction										Reverse to motor rotational direction										Same as motor rotational direction									

Connection diagram



- (Note)
1. Diameter of applicable cabtyre cable to be $\phi 8$ mm ($\phi 0.31$ inch) to $\phi 12$ mm ($\phi 0.47$ inch).
 2. ZNR not supplied
 3. Use a fuse for the clutch and brake power supply.
 4. Use a circuit breaker (MCCB) be sure to the motor power supply.

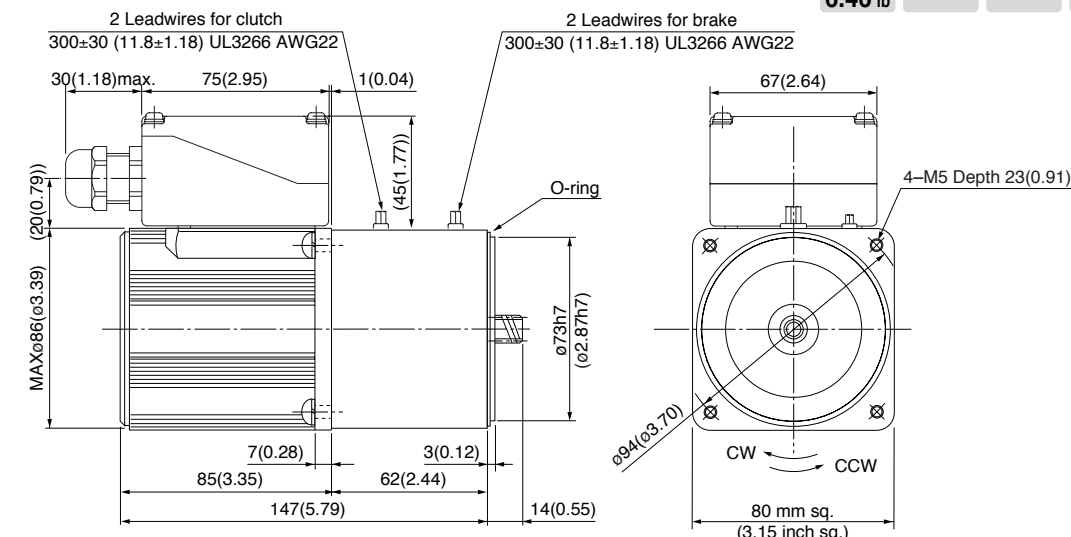
* Please read your User's manual carefully so that you will understand the operation and safety precautions before attempting to operate the system.

Motor (dimensions)

Scale: 1/3, Unit: mm (inch)

M8MX25HK4Y 4P 25 W 200 V / 220 V

Mass 2.93 kg 6.46 lb
Helical gear
Module 0.6
Number of teeth 11

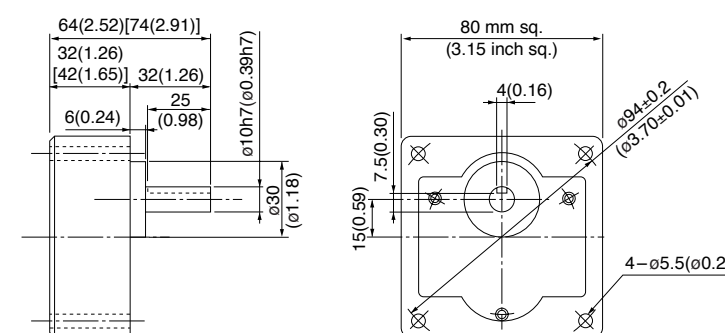


* Diameter of applicable cabtyre cable to be $\phi 8$ ($\phi 0.31$) to $\phi 12$ ($\phi 0.47$).

Gear head (dimensions)

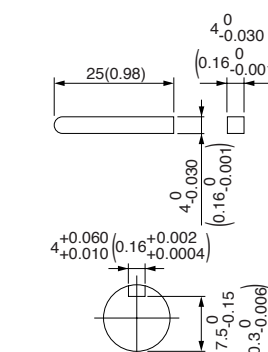
Scale: 1/3, Unit: mm (inch)

MX8G□H (ball bearing) Mass 0.68 kg (1.50 lb)



Key and keyway (dimensions) [attachment]

MX8G□H



* Figures in [] represent the dimensions of MX8G□H (1/30 or larger reduction ratio).

(Note) Because the dimensions may be subject to change, also check the determinate dimensions if the gear head is to be used for design.

C&B motor (3-phase motor sealed connector)

90 mm (3.54 inch) sq. 40 W

Specifications

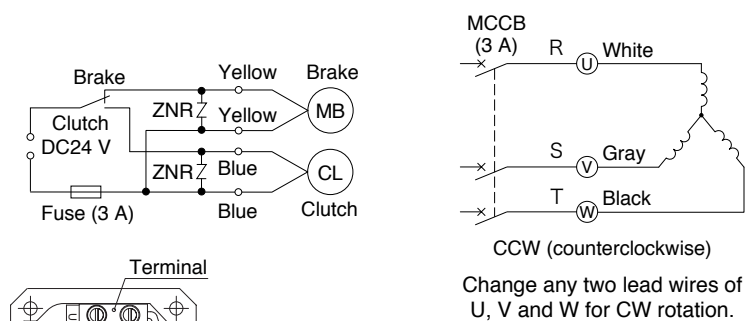
Size	Motor model No.	Motor characteristics										
		Number of pole (P)	Output (W)	Voltage (V)	Frequency (Hz)	Rating (min)	Input (W)	Current (A)	Speed (r/min)	Torque N·m (oz-in)	Starting current (A)	Starting torque N·m (oz-in)
90 mm sq.	M9MX40HK4Y	4	40	200	50	Cont.	69	0.31	1350	0.28(39.7)	0.90	0.72(101)
					60	Cont.	68	0.29	1625	0.24(34.0)	0.82	0.51(72.2)
				220	50	Cont.	70	0.32	1375	0.27(38.2)	1.0	0.88(125)
					60	Cont.	66	0.28	1675	0.23(32.6)	0.91	0.63(89.2)

Size	Motor model No.	Clutch and brake characteristics						
		Static friction torque N·m (oz-in)	Rating Voltage (DC-V)	Capacity (W About 75 °C)	Response time Armature absorbing time (ms)	Response time Armature release time (ms)	Response time Actual torque start time (ms)	
90 mm sq.	M9MX40HK4Y	Clutch	1.47 (208)	24	7	15	25	20
		Brake			5			
		Clutch			7			
		Brake			5			

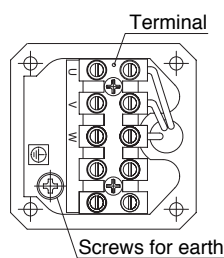
(Make selection while referring to the output selection diagrams for C&B motor shown on pages B-346 to 347.)

Reduction ratio	Speed (r/min)																							
	50 Hz	60 Hz	3	3.6	5	6	7.5	9	10	12.5	15	18	20	25	30	36	50	60	75	90	100	120	150	180
50 Hz	500	600	416.7	300	250	200	166.7	150	120	100	83.3	75	60	50	41.7	30	25	20	16.7	15	12.5	10	8.3	
60 Hz	600	720	500	360	300	240	200	180	144	120	100	90	72	60	50	36	30	24	20	18	15	12	10	
Applicable gear head	MX9G3H to MX9G180H (ball bearing)		Rotational direction Same as motor rotational direction										Reverse to motor rotational direction						Same as motor rotational direction					

Connection diagram



- (Note)
1. Diameter of applicable cabtyre cable to be $\phi 8$ mm ($\phi 0.31$ inch) to $\phi 12$ mm ($\phi 0.47$ inch).
 2. ZNR not supplied
 3. Use a fuse for the clutch and brake power supply.
 4. Use a circuit breaker (MCCB) be sure to the motor power supply.



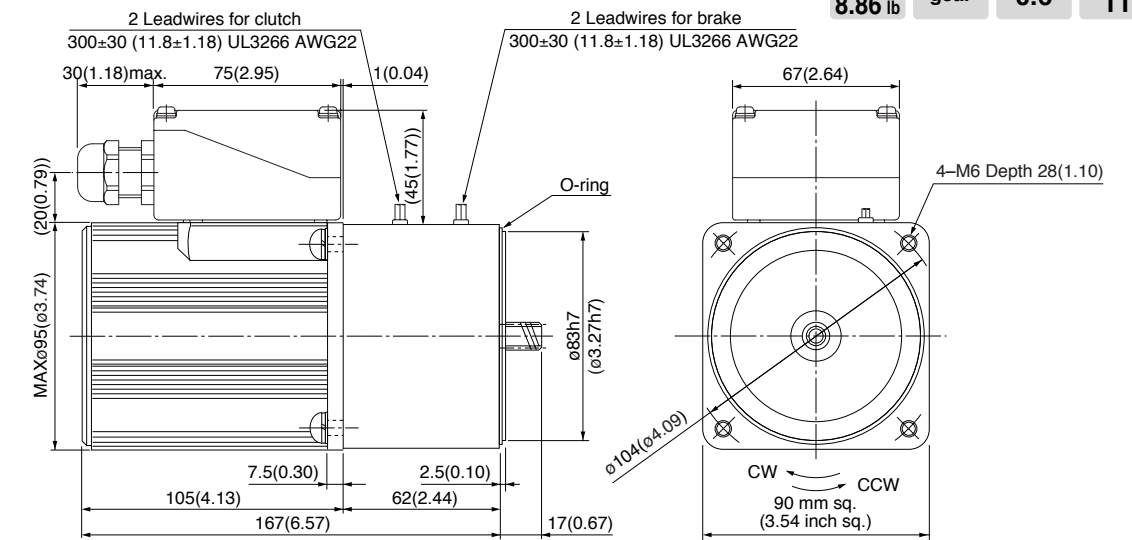
* Please read your User's manual carefully so that you will understand the operation and safety precautions before attempting to operate the system.

Motor (dimensions)

Scale: 1/3, Unit: mm (inch)

M9MX40HK4Y 4P 40 W 200 V / 220 V

Mass 4.02 kg 8.86 lb
Helical gear
Module 0.6
Number of teeth 11



* Diameter of applicable cabtyre cable to be $\phi 8(\phi 0.31)$ to $\phi 12(\phi 0.47)$.

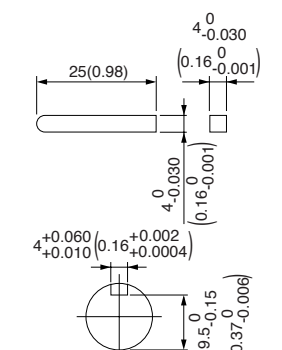
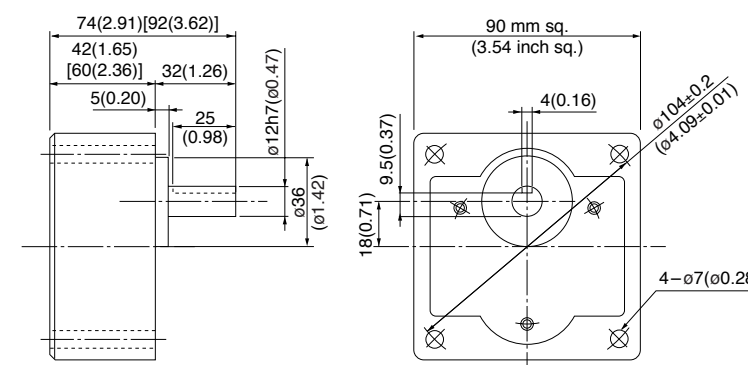
Gear head (dimensions)

Scale: 1/3, Unit: mm (inch)

MX9G□H (ball bearing) Mass 1.2 kg (2.65 lb)

Key and keyway (dimensions) [attachment]

MX9G□H



* Figures in [] represent the dimensions of MX9G□H (1/20 or larger reduction ratio).

(Note) Because the dimensions may be subject to change, also check the determinate dimensions if the gear head is to be used for design.

C&B motor (3-phase motor sealed connector)

90 mm (3.54 inch) sq. 60 W

Specifications

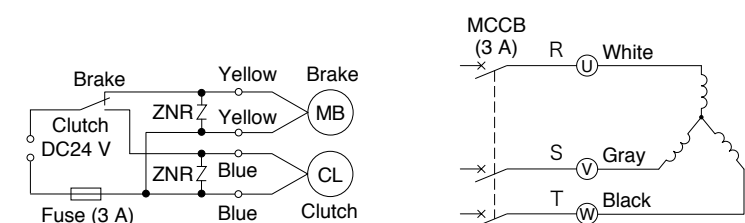
Size	Motor model No.	Motor characteristics										
		Number of pole (P)	Output (W)	Voltage (V)	Frequency (Hz)	Rating (min)	Rating				Starting current (A)	Starting torque N·m (oz-in)
90 mm sq.	M9MZ60HK4Y	4	60	200	50	Cont.	Input (W)	Current (A)	Speed (r/min)	Torque N·m (oz-in)	1.3	1.0(142)
							101	0.45	1350	0.42(59.5)		
				220	60	Cont.	103	0.46	1375	0.41(58.1)	1.5	1.2(170)
							98	0.40	1650	0.34(48.1)		

Size	Motor model No.	Clutch and brake characteristics						
		Static friction torque N·m (oz-in)	Rating Voltage (DC-V)	Capacity (W About 75 °C)	Response time			
90 mm sq.	M9MZ60HK4Y	Clutch	1.47 (208)	24	7	15	25	20
		Brake						
		Clutch						
		Brake						

(Make selection while referring to the output selection diagrams for C&B motor shown on pages B-346 to 347.)

Reduction ratio		3	3.6	5	6	7.5	9	10	12.5	15	18	20	25	30	36	50	60	75	90	100	120	150	180	200	
Speed (r/min)	50 Hz	500	416.7	300	250	200	166.7	150	120	100	83.3	75	60	50	41.7	30	25	20	16.7	15	12.5	10	8.3	7.5	
	60 Hz	600	500	360	300	240	200	180	144	120	100	90	72	60	50	36	30	24	20	18	15	12	10	9	
Applicable gear head	MY9G3H to MY9G200H (ball bearing)	Rotational direction Same as motor rotational direction						Reverse to motor rotational direction						Same as motor rotational direction						Reverse to motor rotational direction					

Connection diagram



- (Note)
1. Diameter of applicable cabtyre cable to be $\phi 8$ mm ($\phi 0.31$ inch) to $\phi 12$ mm ($\phi 0.47$ inch).
 2. ZNR not supplied
 3. Use a fuse for the clutch and brake power supply.
 4. Use a circuit breaker (MCCB) be sure to the motor power supply.

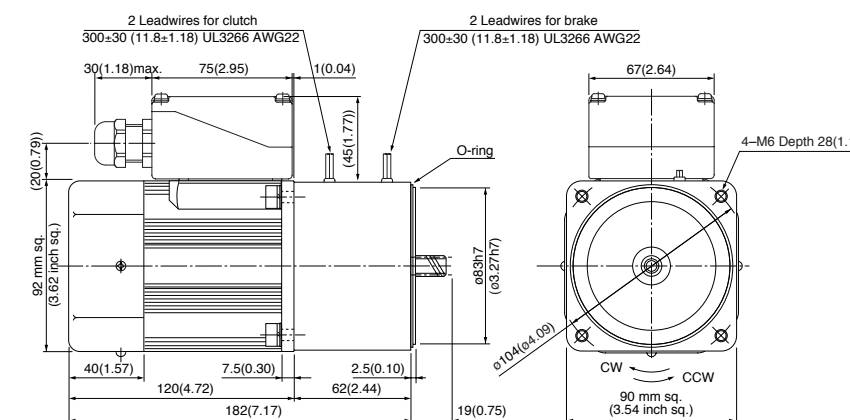
* Please read your User's manual carefully so that you will understand the operation and safety precautions before attempting to operate the system.

Motor (dimensions)

Scale: 1/4, Unit: mm (inch)

M9MZ60HK4Y 4P 60 W 200 V / 220 V

Mass 4.23 kg 9.33 lb
Helical gear
Module 0.8
Number of teeth 11



* Diameter of applicable cabtyre cable to be $\phi 8(\phi 0.31)$ to $\phi 12(\phi 0.47)$.

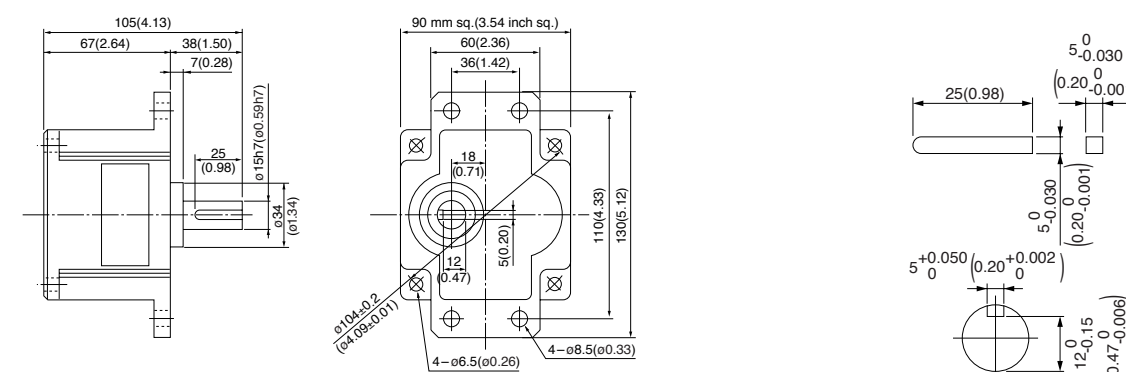
Gear head (dimensions)

Scale: 1/4, Unit: mm (inch)

MY9G□H (ball bearing) Mass 1.5 kg (3.31 lb)

Key and keyway (dimensions) [attachment]

MY9G□H



(Note) Because the dimensions may be subject to change, also check the determinate dimensions if the gear head is to be used for design.

C&B motor (3-phase motor sealed connector)

90 mm (3.54 inch) sq. 90 W

Specifications

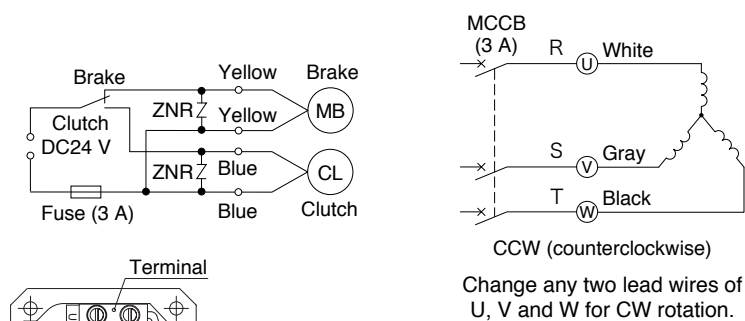
Size	Motor model No.	Motor characteristics										
		Number of pole (P)	Output (W)	Voltage (V)	Frequency (Hz)	Rating (min)	Rating				Starting current (A)	Starting torque N-m (oz-in)
90 mm sq.	M9MZ90HK4Y	4	90	200	50	Cont.	141	0.62	1350	0.63(89.2)	2.0	1.6(227)
					60	Cont.	137	0.56	1625	0.53(75.1)	1.8	1.1(156)
				220	50	Cont.	143	0.65	1400	0.62(87.8)	2.2	2.0(283)
					60	Cont.	137	0.56	1650	0.52(73.6)	2.0	1.4(198)

Size	Motor model No.	Clutch and brake characteristics						
		Static friction torque N-m (oz-in)	Rating Voltage (DC-V)	Capacity W About 75 °C	Response time			
90 mm sq.	M9MZ90HK4Y	Clutch	1.47 (208)	24	7	15	25	20
		Brake						
		Clutch						
		Brake						

(Make selection while referring to the output selection diagrams for C&B motor shown on pages B-346 to 347.)

Reduction ratio		3	3.6	5	6	7.5	9	10	12.5	15	18	20	25	30	36	50	60	75	90	100	120	150	180	200	
Speed (r/min)	50 Hz	500	416.7	300	250	200	166.7	150	120	100	83.3	75	60	50	41.7	30	25	20	16.7	15	12.5	10	8.3	7.5	
	60 Hz	600	500	360	300	240	200	180	144	120	100	90	72	60	50	36	30	24	20	18	15	12	10	9	
Applicable gear head	MY9G3H to MY9G200H (ball bearing)	Rotational direction Same as motor rotational direction						Reverse to motor rotational direction						Same as motor rotational direction						Reverse to motor rotational direction					

Connection diagram



- (Note)
1. Diameter of applicable cabtyre cable to be $\phi 8$ mm ($\phi 0.31$ inch) to $\phi 12$ mm ($\phi 0.47$ inch).
 2. ZNR not supplied
 3. Use a fuse for the clutch and brake power supply.
 4. Use a circuit breaker (MCCB) be sure to the motor power supply.

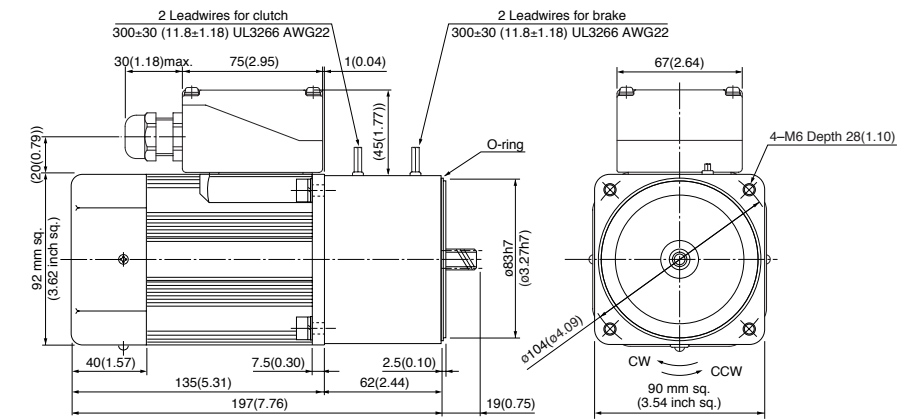
* Please read your User's manual carefully so that you will understand the operation and safety precautions before attempting to operate the system.

Motor (dimensions)

Scale: 1/4, Unit: mm (inch)

M9MZ90HK4Y 4P 90 W 200 V / 220 V

Mass 4.50 kg 9.92 lb
Helical gear
Module 0.8
Number of teeth 11

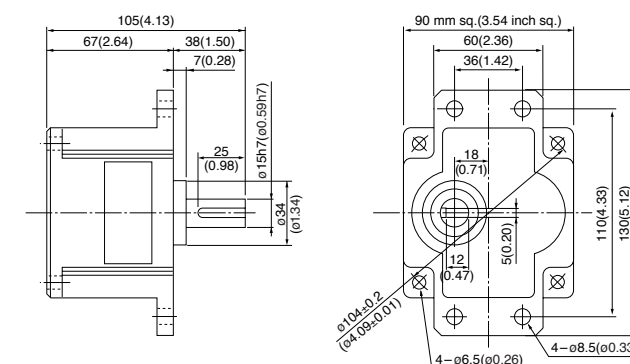


* Diameter of applicable cabtyre cable to be $\phi 8$ ($\phi 0.31$) to $\phi 12$ ($\phi 0.47$).

Gear head (dimensions)

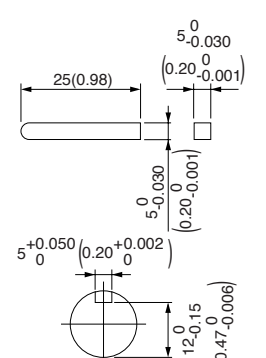
Scale: 1/4, Unit: mm (inch)

MY9G□H (ball bearing) Mass 1.5 kg (3.31 lb)



Key and keyway (dimensions) [attachment]

MY9G□H



(Note) Because the dimensions may be subject to change, also check the determinate dimensions if the gear head is to be used for design.

Specifications

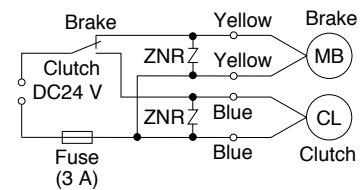
Size	Motor model No.	Number of pole (P)	Output (W)	Voltage (V)	Frequency (Hz)	Rating (min)	Motor characteristics						
							Variable speed range	Permissible Torque N·m (oz·in)		Starting current (A)	Starting torque N·m (oz·in)	Capacitor (μF) (rated voltage)	
							Speed (r/min)	at 1200 r/min	at 90 r/min				
60 mm sq.	M61X6HV4L	4	6	100	50	Cont.	90 to 1400	0.032 (4.53)	0.025 (3.54)	0.30	0.037 (5.23)	2.5 (200 V)	
					60		90 to 1700					0.6 (400 V)	
	M61X6HV4Y			50	90 to 1400								
				60	90 to 1700								

Size	Motor model No.		Clutch and brake characteristics					
			Static friction torque N·m (oz·in)	Rating Voltage (DC-V)	Capacity (W About 75 °C)	Response time		
						Armature absorbing time (ms)	Armature release time (ms)	Actual torque start time (ms)
60 mm sq.	M61X6HV4L	Clutch	0.294 (41.6)	24	4	15	25	20
		Brake						
	M61X6HV4Y	Clutch						
		Brake						

(Make selection while referring to the output selection diagrams for C&B motor shown on pages B-346 to 347.)

Reduction ratio		3	3.6	5	6	7.5	9	10	12.5	15	18	20	25	30	36	50	60	75	90	100	120	150	180
Speed (r/min)	50 Hz	500	416.7	300	250	200	166.7	150	120	100	83.3	75	60	50	41.7	30	25	20	16.7	15	12.5	10	8.3
	60 Hz	600	500	360	300	240	200	180	144	120	100	90	72	60	50	36	30	24	20	18	15	12	10
Applicable gear head	MX6G3H to MX6G180H (ball bearing)	Same as motor rotational direction										Reverse to motor rotational direction					Same as motor rotational direction						

Connection diagram



- (Note)
 1. ZNR not supplied
 2. Use a fuse for the clutch and brake power supply.

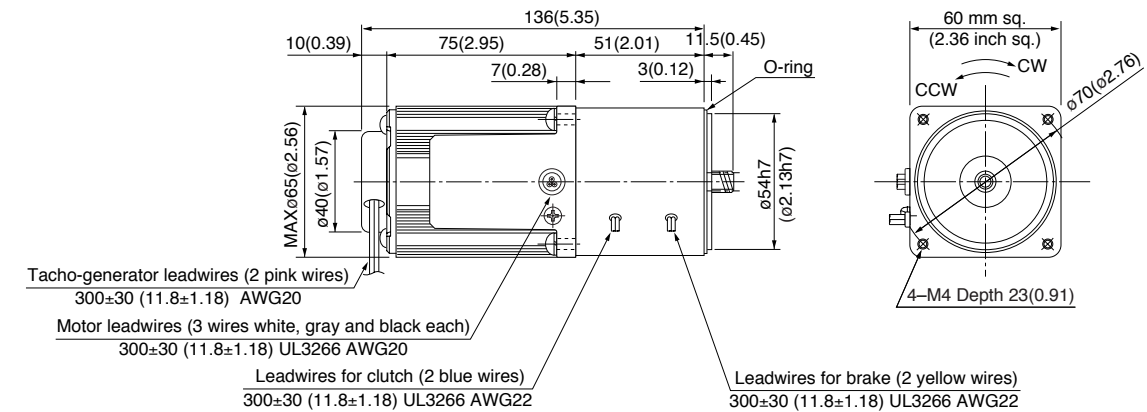
* For the connection diagram showing wiring with the speed controller, refer to pages C-6 to C-20.

Motor (dimensions)

Scale: 1/3, Unit: mm (inch)

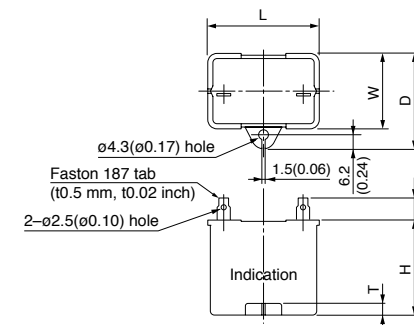
M61X6HV4L 4P 6 W 100 V
 M61X6HV4Y 4P 6 W 200 V

Mass 1.27 kg 2.80 lb
 Helical gear
 Module 0.5
 Number of teeth 10



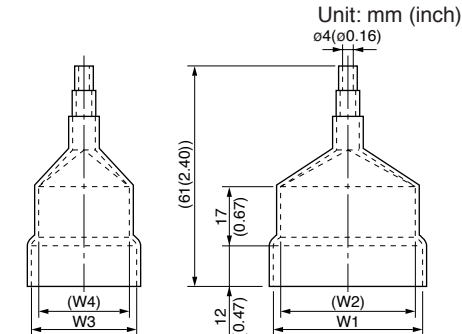
Capacitor (dimensions) [attachment]

Unit: mm (inch)



Capacitor cap (dimensions) [option]

Unit: mm (inch)



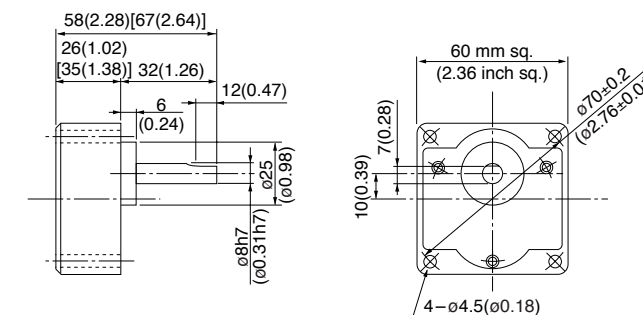
Capacitor dimension list Unit: upper (mm) / lower (inch)

Model number of motor	Model number of capacitor (attachment)	L	W	D	H	T	Capacitor cap (option)	W1	W2	W3	W4
M61X6HV4L	M0PC2.5M20	39.5 (1.56)	16 (0.63)	26.5 (1.04)	30.5 (1.20)	4 (0.16)	M0PC3917	39.5 (1.56)	37.5 (1.48)	17 (0.67)	15 (0.59)
M61X6HV4Y	M0PC0.6M40	39.5 (1.56)	16.2 (0.64)	27 (1.06)	27 (1.06)	4 (0.16)	M0PC3917	39.5 (1.56)	37.5 (1.48)	17 (0.67)	15 (0.59)

Gear head (dimensions)

Scale: 1/3, Unit: mm (inch)

MX6G□H (ball bearing) Mass 0.34 kg (0.75 lb): Output shaft D cut



* Figures in [] represent the dimensions of MX6G□H (1/30 or larger reduction ratio).

(Note) Because the dimensions may be subject to change, also check the determinate dimensions if the gear head is to be used for design.

Specifications

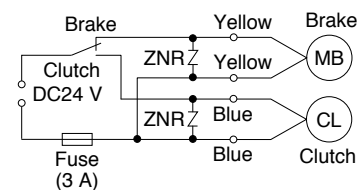
Size	Motor model No.	Number of pole (P)	Output (W)	Voltage (V)	Frequency (Hz)	Rating (min)	Motor characteristics					
							Variable speed range	Permissible Torque N·m (oz-in)		Starting current (A)	Starting torque N·m (oz-in)	Capacitor (μF) (rated voltage)
								Speed (r/min)	at 1200 r/min			
70 mm sq.	M71X15HV4L	4	15	100	50	Cont.	90 to 1400	0.089 (12.6)	0.029 (4.11)	0.60	0.068 (9.63)	5 (200 V)
					60		90 to 1700			0.56		
	200			50	90 to 1400	0.30						
				60	90 to 1700	0.28						

Size	Motor model No.		Clutch and brake characteristics					
			Static friction torque N·m (oz-in)	Rating Voltage (DC-V)	Capacity (W About 75 °C)	Response time		
						Armature absorbing time (ms)	Armature release time (ms)	Actual torque start time (ms)
70 mm sq.	M71X15HV4L	Clutch	0.294 (41.63)	24	4	15	25	20
		Brake						
	M71X15HV4Y	Clutch						
		Brake						

(Make selection while referring to the output selection diagrams for C&B motor shown on pages B-346 to 347.)

Reduction ratio	3	3.6	5	6	7.5	9	10	12.5	15	18	20	25	30	36	50	60	75	90	100	120	150	180	
Speed (r/min)	50 Hz	500	416.7	300	250	200	166.7	150	120	100	83.3	75	60	50	41.7	30	25	20	16.7	15	12.5	10	8.3
	60 Hz	600	500	360	300	240	200	180	144	120	100	90	72	60	50	36	30	24	20	18	15	12	10
Applicable gear head	MX7G3H to MX7G180H (ball bearing)		Rotational direction Same as motor rotational direction										Reverse to motor rotational direction					Same as motor rotational direction					

Connection diagram



- (Note)
 1. ZNR not supplied
 2. Use a fuse for the clutch and brake power supply.

* For the connection diagram showing wiring with the speed controller, refer to pages C-6 to C-20.

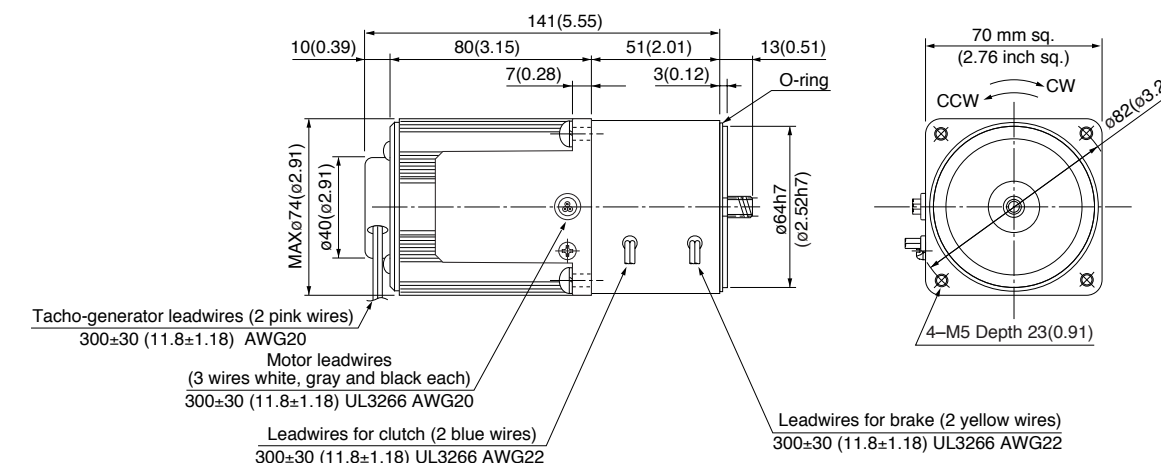
* Please read your User's manual carefully so that you will understand the operation and safety precautions before attempting to operate the system.

Motor (dimensions)

Scale: 1/3, Unit: mm (inch)

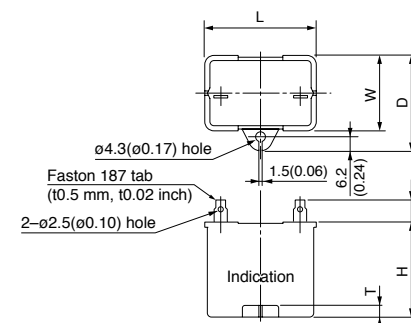
M71X15HV4L	4P 15 W 100 V
M71X15HV4Y	4P 15 W 200 V

Mass	Helical gear	Module	Number of teeth
1.76 kg 3.88 lb		0.5	10



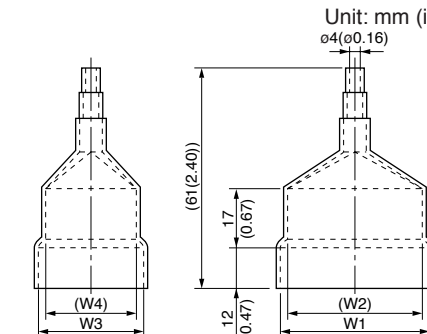
Capacitor (dimensions) [attachment]

Unit: mm (inch)



Capacitor cap (dimensions) [option]

Unit: mm (inch)



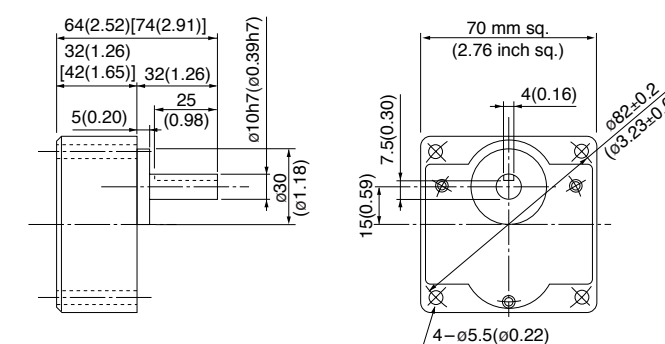
Capacitor dimension list Unit: upper (mm) / lower (inch)

Model number of motor	Model number of capacitor (attachment)	L	W	D	H	T	Capacitor cap (option)	W1	W2	W3	W4
M71X15HV4L	M0PC5M20	39.5 (1.56)	16 (0.63)	26.5 (1.04)	30.5 (1.20)	4 (0.16)	M0PC3917	39.5 (1.56)	37.5 (1.48)	17 (0.67)	15 (0.59)
M71X15HV4Y	M0PC1.3M40	39.5 (1.56)	18.3 (0.72)	29 (1.14)	29 (1.14)	4 (0.16)	M0PC3922	39.5 (1.56)	37.5 (1.48)	22 (0.87)	20 (0.79)

Gear head (dimensions)

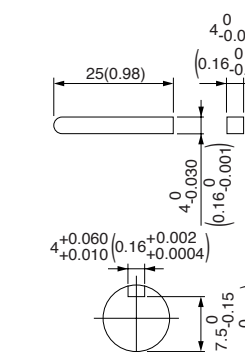
Scale: 1/3, Unit: mm (inch)

MX7G□H (ball bearing) Mass 0.54 kg (1.19 lb)



Key and keyway (dimensions) [attachment]

MX7G□H



* Figures in [] represent the dimensions of MX7G□H (1/30 or larger reduction ratio).

(Note) Because the dimensions may be subject to change, also check the determinate dimensions if the gear head is to be used for design.

Specifications

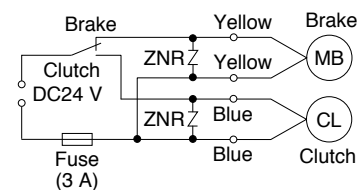
Size	Motor model No.	Motor characteristics												
		Number of pole (P)	Output (W)	Voltage (V)	Frequency (Hz)	Rating (min)	Variable speed range	Permissible Torque N·m (oz-in)		Starting current (A)	Starting torque N·m (oz-in)	Capacitor (μF) (rated voltage)		
							Speed (r/min)	at 1200 r/min	at 90 r/min					
80 mm sq.	M81X25HV4L	4	25	100	50	Cont.	90 to 1400	0.14 (19.8)	0.039 (5.52)	1.0	0.16 (22.7)	8 (200 V)		
					60		90 to 1700					2 (400 V)		
	M81X25HV4Y			200	50		90 to 1400					0.5	0.16 (22.7)	2 (400 V)
					60		90 to 1700							

Size	Motor model No.	Clutch and brake characteristics						
			Static friction torque N·m (oz-in)	Rating Voltage (DC-V)	Capacity (W About 75 °C)	Response time		
						Armature absorbing time (ms)	Armature release time (ms)	Actual torque start time (ms)
80 mm sq.	M81X25HV4L	Clutch	0.980 (139)	24	7	15	25	20
		Brake						
	M81X25HV4Y	Clutch						
		Brake						

(Make selection while referring to the output selection diagrams for C&B motor shown on pages B-346 to 347.)

Reduction ratio	Speed (r/min)																					
	3	3.6	5	6	7.5	9	10	12.5	15	18	20	25	30	36	50	60	75	90	100	120	150	180
50 Hz	500	416.7	300	250	200	166.7	150	120	100	83.3	75	60	50	41.7	30	25	20	16.7	15	12.5	10	8.3
60 Hz	600	500	360	300	240	200	180	144	120	100	90	72	60	50	36	30	24	20	18	15	12	10
Applicable gear head	MX8G3H to MX8G180H (ball bearing)										Rotational direction						Same as motor rotational direction					

Connection diagram



- (Note)
 1. ZNR not supplied
 2. Use a fuse for the clutch and brake power supply.

* For the connection diagram showing wiring with the speed controller, refer to pages C-6 to C-20.

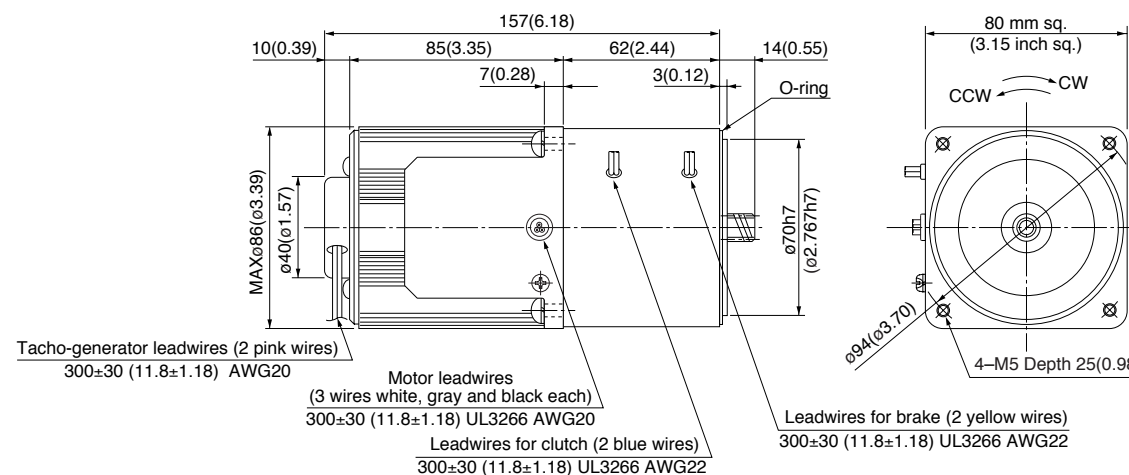
* Please read your User's manual carefully so that you will understand the operation and safety precautions before attempting to operate the system.

Motor (dimensions)

Scale: 1/3, Unit: mm (inch)

M81X25HV4L	4P 25 W 100 V
M81X25HV4Y	4P 25 W 200 V

Mass	Helical gear	Module	Number of teeth
2.63 kg 5.80 lb		0.6	11



Capacitor (dimensions) [attachment]

Unit: mm (inch)

Capacitor cap (dimensions) [option]

Unit: mm (inch)



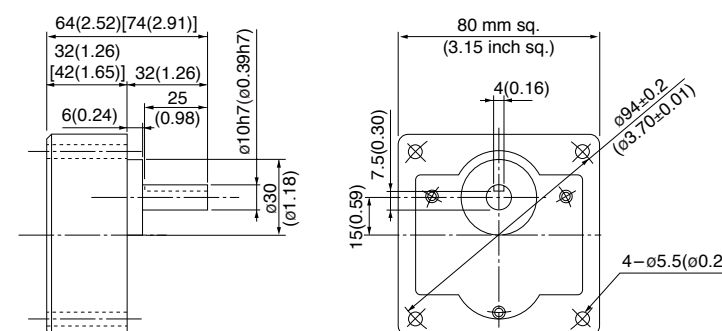
Capacitor dimension list Unit: upper (mm) / lower (inch)

Model number of motor	Model number of capacitor (attachment)	L	W	D	H	T	Capacitor cap (option)	W1	W2	W3	W4
M81X25HV4L	M0PC8M20	39.5 (1.56)	22 (0.87)	32.5 (1.28)	30.5 (1.20)	4 (0.16)	M0PC3922	39.5 (1.56)	37.5 (1.48)	22 (0.87)	20 (0.79)
M81X25HV4Y	M0PC2M40	39.5 (1.56)	22 (0.87)	32.5 (1.28)	32.5 (1.28)	4 (0.16)	M0PC3922	39.5 (1.56)	37.5 (1.48)	22 (0.87)	20 (0.79)

Gear head (dimensions)

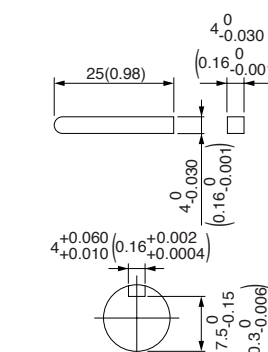
Scale: 1/3, Unit: mm (inch)

MX8G□H (ball bearing) Mass 0.68 kg (1.50 lb)



Key and keyway (dimensions) [attachment]

MX8G□H



* Figures in [] represent the dimensions of MX8G□H (1/30 or larger reduction ratio).

(Note) Because the dimensions may be subject to change, also check the determinate dimensions if the gear head is to be used for design.

Specifications

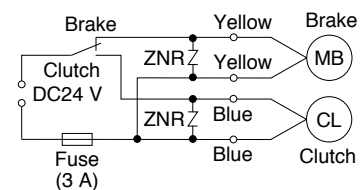
Size	Motor model No.	Number of pole (P)	Output (W)	Voltage (V)	Frequency (Hz)	Rating (min)	Motor characteristics					
							Variable speed range	Permissible Torque N·m (oz-in)		Starting current (A)	Starting torque N·m (oz-in)	Capacitor (μF) (rated voltage)
							Speed (r/min)	at 1200 r/min	at 90 r/min			
90 mm sq.	M91X40HV4L	4	40	100	50	Cont.	90 to 1400	0.30(42.5)	0.049 (6.94)	1.6	0.25 (35.4)	12 (200 V)
					60		90 to 1700	0.24(34.0)		1.6		
	M91X40HV4Y			200	50	90 to 1400	0.30(42.5)	0.80	3 (400 V)			
					60	90 to 1700	0.24(34.0)	0.80				

Size	Motor model No.	Clutch and brake characteristics						
		Static friction torque N·m (oz-in)	Rating Voltage (DC-V)	Capacity (W About 75 °C)	Response time			
					Armature absorbing time (ms)	Armature release time (ms)	Actual torque start time (ms)	
90 mm sq.	M91X40HV4L	Clutch	1.47 (208)	24	7	15	25	20
		Brake						
	M91X40HV4Y	Clutch						
		Brake						

(Make selection while referring to the output selection diagrams for C&B motor shown on pages B-346 to 347.)

Reduction ratio	Speed (r/min)																					
	3	3.6	5	6	7.5	9	10	12.5	15	18	20	25	30	36	50	60	75	90	100	120	150	180
50 Hz	500	416.7	300	250	200	166.7	150	120	100	83.3	75	60	50	41.7	30	25	20	16.7	15	12.5	10	8.3
60 Hz	600	500	360	300	240	200	180	144	120	100	90	72	60	50	36	30	24	20	18	15	12	10
Applicable gear head	MX9G3H to MX9G180H (ball bearing)										Rotational direction						Same as motor rotational direction					

Connection diagram



- (Note)
 1. ZNR not supplied
 2. Use a fuse for the clutch and brake power supply.

* For the connection diagram showing wiring with the speed controller, refer to pages C-6 to C-20.

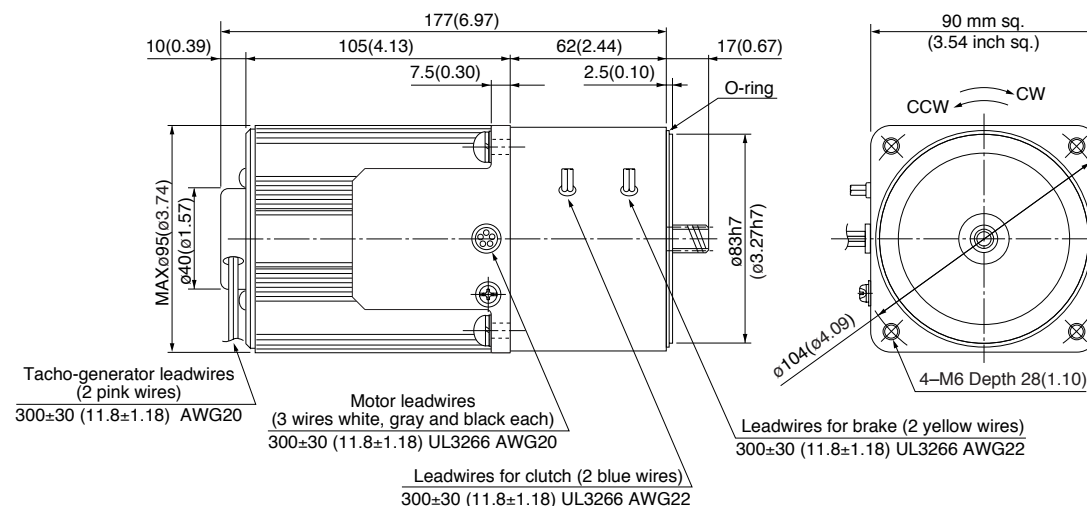
* Please read your User's manual carefully so that you will understand the operation and safety precautions before attempting to operate the system.

Motor (dimensions)

Scale: 1/3, Unit: mm (inch)

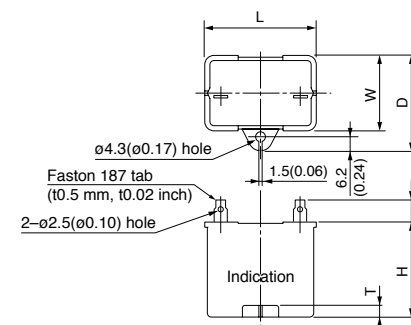
M91X40HV4L	4P	40 W	100 V
M91X40HV4Y	4P	40 W	200 V

Mass	Helical gear	Module	Number of teeth
3.62 kg 7.98 lb		0.6	11



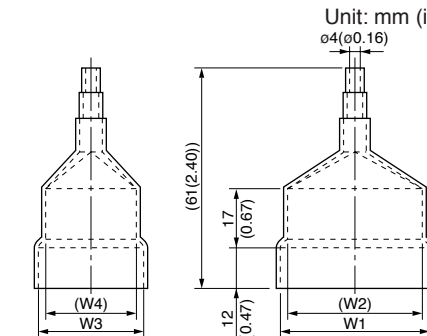
Capacitor (dimensions) [attachment]

Unit: mm (inch)



Capacitor cap (dimensions) [option]

Unit: mm (inch)



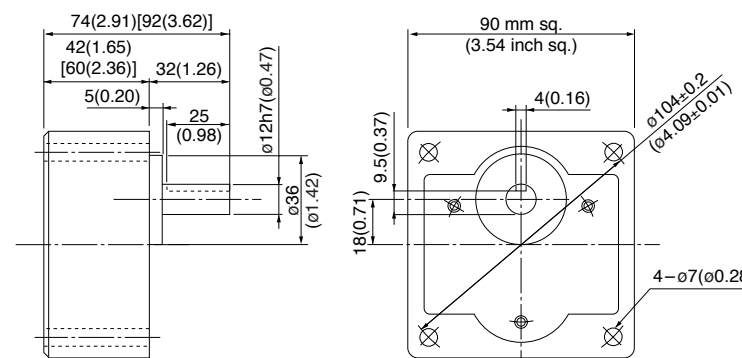
Capacitor dimension list Unit: upper (mm) / lower (inch)

Model number of motor	Model number of capacitor (attachment)	L	W	D	H	T	Capacitor cap (option)	W1	W2	W3	W4
M91X40HV4L	M0PC12M20	39.5 (1.56)	26.7 (1.05)	37 (1.46)	32 (1.26)	4 (0.16)	M0PC3926	39.5 (1.56)	37.5 (1.48)	26 (1.02)	25 (0.98)
M91X40HV4Y	M0PC3M40	49.7 (1.96)	24 (0.94)	34.5 (1.36)	34.5 (1.36)	4 (0.16)	M0PC5026	50 (1.97)	48 (1.89)	26 (1.02)	22 (0.87)

Gear head (dimensions)

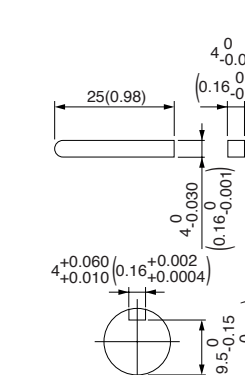
Scale: 1/3, Unit: mm (inch)

MX9G□H (ball bearing) Mass 1.2 kg (2.65 lb)



Key and keyway (dimensions) [attachment]

MX9G□H



* Figures in [] represent the dimensions of MX9G□H (1/20 or larger reduction ratio).

(Note) Because the dimensions may be subject to change, also check the determinate dimensions if the gear head is to be used for design.

Specifications

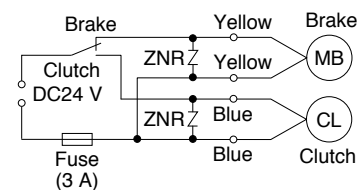
Size	Motor model No.	Number of pole (P)	Output (W)	Voltage (V)	Frequency (Hz)	Rating (min)	Motor characteristics					
							Variable speed range	Permissible Torque N·m (oz-in)		Starting current (A)	Starting torque N·m (oz-in)	Capacitor (μF) (rated voltage)
							Speed (r/min)	at 1200 r/min	at 90 r/min			
90 mm sq.	M91Z60HV4L	4	60	100	50	Cont.	90 to 1400	0.43(60.9)	0.078 (11.1)	2.3	0.46 (65.1)	20 (200 V)
					60		90 to 1700	0.36(51.0)				
	M91Z60HV4Y			50	90 to 1400	0.43(60.9)	1.2	2.4	5 (400 V)			
										60	90 to 1700	0.36(51.0)

Size	Motor model No.		Clutch and brake characteristics					
			Static friction torque N·m (oz-in)	Rating Voltage (DC-V)	Capacity (W About 75 °C)	Response time		
						Armature absorbing time (ms)	Armature release time (ms)	Actual torque start time (ms)
90 mm sq.	M91Z60HV4L	Clutch	1.47 (208)	24	7	15	25	20
		Brake						
	M91Z60HV4Y	Clutch						
		Brake						

(Make selection while referring to the output selection diagrams for C&B motor shown on pages B-346 to 347.)

Reduction ratio	3	3.6	5	6	7.5	9	10	12.5	15	18	20	25	30	36	50	60	75	90	100	120	150	180	200			
Speed (r/min)	50 Hz	500	416.7	300	250	200	166.7	150	120	100	83.3	75	60	50	41.7	30	25	20	16.7	15	12.5	10	8.3	7.5		
	60 Hz	600	500	360	300	240	200	180	144	120	100	90	72	60	50	36	30	24	20	18	15	12	10	9		
Applicable gear head	MY9G3H to MY9G200H (ball bearing)	Rotational direction Same as motor rotational direction										Reverse to motor rotational direction					Same as motor rotational direction					Reverse to motor rotational direction				

Connection diagram



- (Note)
 1. ZNR not supplied
 2. Use a fuse for the clutch and brake power supply.

* For the connection diagram showing wiring with the speed controller, refer to pages C-6 to C-20.

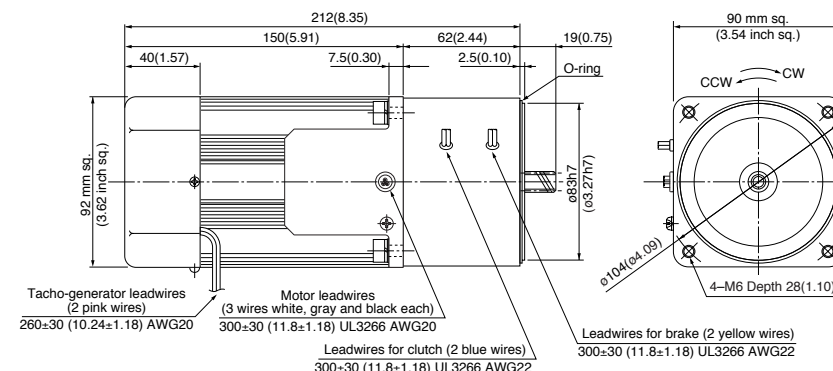
* Please read your User's manual carefully so that you will understand the operation and safety precautions before attempting to operate the system.

Motor (dimensions)

Scale: 1/4, Unit: mm (inch)

M91Z60HV4L 4P 60 W 100 V
 M91Z60HV4Y 4P 60 W 200 V

Mass 4.23 kg 9.33 lb
 Helical gear
 Module 0.8
 Number of teeth 11



Capacitor (dimensions) [attachment]

Unit: mm (inch)

Capacitor cap (dimensions) [option]

Unit: mm (inch)



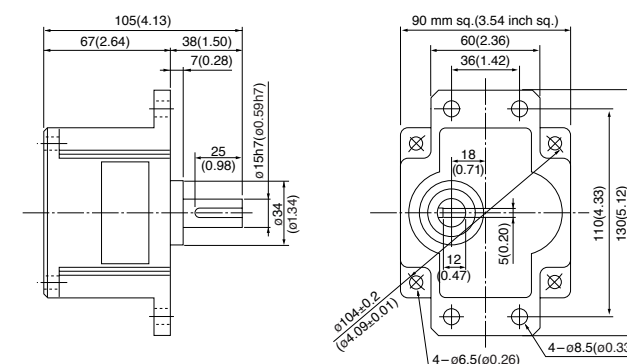
Capacitor dimension list Unit: upper (mm) / lower (inch)

Model number of motor	Model number of capacitor (attachment)	L	W	D	H	T	Capacitor cap (option)	W1	W2	W3	W4
M91Z60HV4L	M0PC20M20	50.2 (1.98)	26.7 (1.05)	37 (1.46)	36 (1.42)	5 (0.20)	M0PC5026	50 (1.97)	48 (1.89)	26 (1.02)	22 (0.87)
M91Z60HV4Y	M0PC5M40	50 (1.97)	30.5 (1.20)	41.5 (1.63)	41.5 (1.63)	4 (0.16)	M0PC5032	50 (1.97)	48 (1.89)	32.5 (1.28)	29.5 (1.16)

Gear head (dimensions)

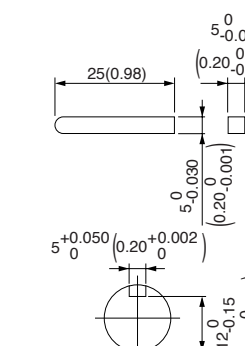
Scale: 1/4, Unit: mm (inch)

MY9G□H (ball bearing) Mass 1.5 kg (3.31 lb)



Key and keyway (dimensions) [attachment]

MY9G□H



(Note) Because the dimensions may be subject to change, also check the determinate dimensions if the gear head is to be used for design.

Specifications

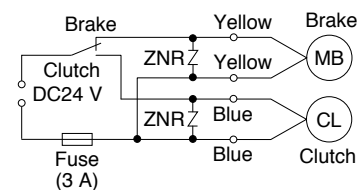
Size	Motor model No.	Number of pole (P)	Output (W)	Voltage (V)	Frequency (Hz)	Rating (min)	Motor characteristics					
							Variable speed range	Permissible Torque N·m (oz-in)		Starting current (A)	Starting torque N·m (oz-in)	Capacitor (μF) (rated voltage)
							Speed (r/min)	at 1200 r/min	at 90 r/min			
90 mm sq.	M91Z90HV4L	4	90	100	50	Cont.	90 to 1400	0.59(83.6)	0.25 (35.4)	2.3	0.53(75.1)	25 (200 V)
					60		90 to 1700	0.54(76.5)				
	M91Z90HV4Y			200	50	90 to 1400	0.59(83.6)	1.1	0.57(80.7)	6.2 (375 V)		
					60	90 to 1700	0.54(76.5)					

Size	Motor model No.		Clutch and brake characteristics					
			Static friction torque N·m (oz-in)	Rating Voltage (DC-V)	Capacity (W About 75 °C)	Response time		
						Armature absorbing time (ms)	Armature release time (ms)	Actual torque start time (ms)
90 mm sq.	M91Z90HV4L	Clutch	1.47 (208)	24	7	15	25	20
		Brake						
	M91Z90HV4Y	Clutch						
		Brake						

(Make selection while referring to the output selection diagrams for C&B motor shown on pages B-346 to 347.)

Reduction ratio	3	3.6	5	6	7.5	9	10	12.5	15	18	20	25	30	36	50	60	75	90	100	120	150	180	200					
Speed (r/min)	50 Hz	500	416.7	300	250	200	166.7	150	120	100	83.3	75	60	50	41.7	30	25	20	16.7	15	12.5	10	8.3	7.5				
	60 Hz	600	500	360	300	240	200	180	144	120	100	90	72	60	50	36	30	24	20	18	15	12	10	9				
Applicable gear head	MY9G3H to MY9G200H (ball bearing)	Rotational direction Same as motor rotational direction										Reverse to motor rotational direction					Same as motor rotational direction							Reverse to motor rotational direction				

Connection diagram



- (Note)
 1. ZNR not supplied
 2. Use a fuse for the clutch and brake power supply.

* For the connection diagram showing wiring with the speed controller, refer to pages C-6 to C-20.

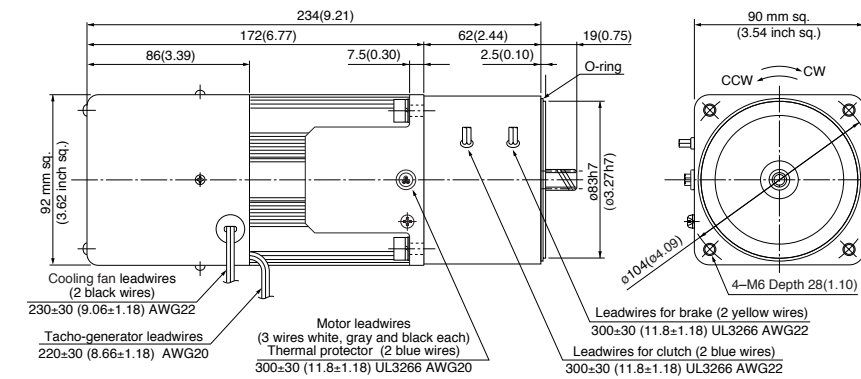
* Please read your User's manual carefully so that you will understand the operation and safety precautions before attempting to operate the system.

Motor (dimensions)

Scale: 1/4, Unit: mm (inch)

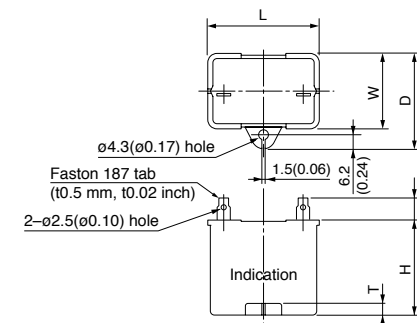
M91Z90HV4L	4P 90 W 100 V
M91Z90HV4Y	4P 90 W 200 V

Mass	Helical gear	Module	Number of teeth
4.83 kg 10.6 lb		0.8	11



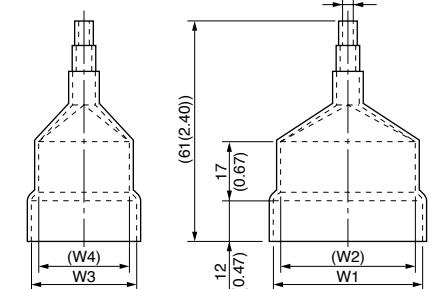
Capacitor (dimensions) [attachment]

Unit: mm (inch)



Capacitor cap (dimensions) [option]

Unit: mm (inch)



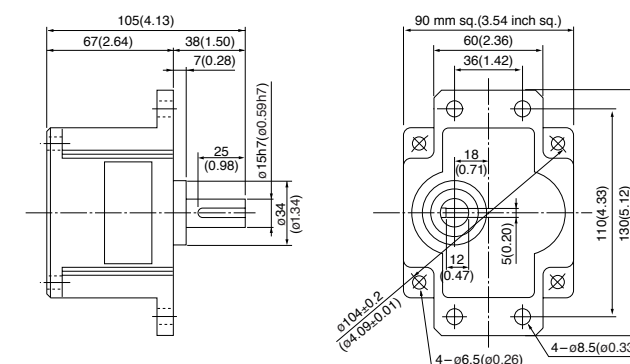
Capacitor dimension list Unit: upper (mm) / lower (inch)

Model number of motor	Model number of capacitor (attachment)	L	W	D	H	T	Capacitor cap (option)	W1	W2	W3	W4
M91Z90HV4L	M0PC25M20	50.2 (1.98)	31 (1.22)	41 (1.61)	42 (1.65)	5 (0.20)	M0PC5032	50 (1.97)	48 (1.89)	32.5 (1.28)	29.5 (1.16)
M91Z90HV4Y	M0PC6.2M38	50 (1.97)	30.5 (1.20)	41 (1.61)	41.5 (1.63)	4 (0.16)	M0PC5032	50 (1.97)	48 (1.89)	32.5 (1.28)	29.5 (1.16)

Gear head (dimensions)

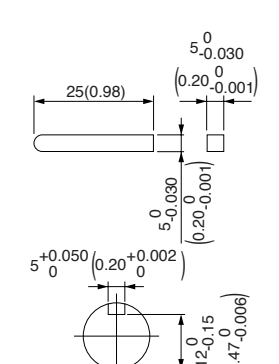
Scale: 1/4, Unit: mm (inch)

MY9G□H (ball bearing) Mass 1.5 kg (3.31 lb)



Key and keyway (dimensions) [attachment]

MY9G□M



(Note) Because the dimensions may be subject to change, also check the determinate dimensions if the gear head is to be used for design.

Induction motor
 Reversible motor
 3-phase motor
 Electromagnetic brake motor
 Variable speed induction motor
 Variable speed reversible motor
 Variable speed electromagnetic brake single-phase motor
 Variable speed unit motor
 C&B motor
 2-pole round shaft motor
 Gear head
 Gear head - inch (U.S.A.)

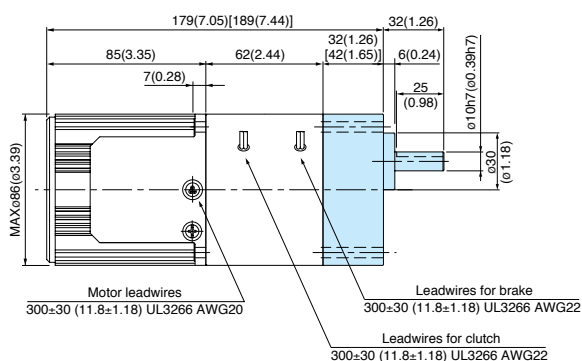
C&B motor (3-phase motor leadwire)

Gear head combination dimensions

Scale: 1/4, Unit: mm (inch)

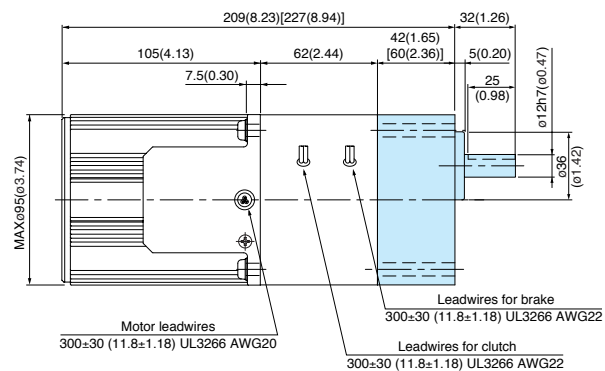
* Gear head is sold separately.

80 mm sq. (3.15 inch sq.) 25 W
M8MX25H4Y + MX8G□H



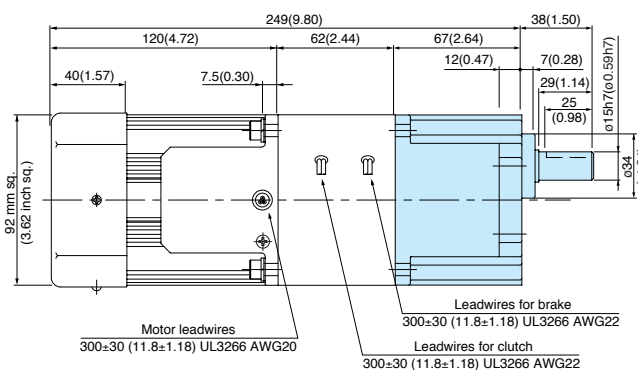
* Figures in [] represent the dimensions of MX8G□H (1/30 or larger reduction ratio).

90 mm sq. (3.54 inch sq.) 40 W
M9MX40H4Y + MX9G□H

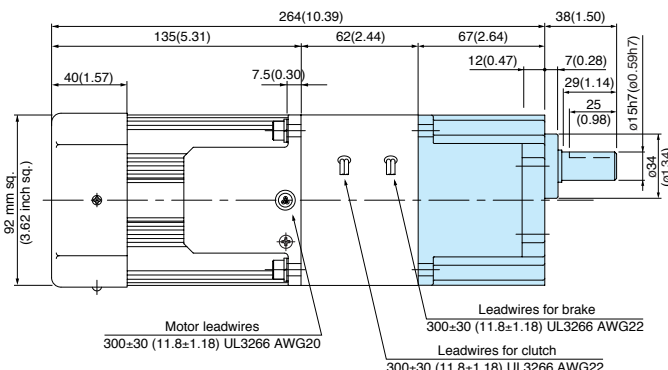


* Figures in [] represent the dimensions of MX9G□H (1/20 or larger reduction ratio).

90 mm sq. (3.54 inch sq.) 60 W
M9MZ60H4Y + MY9G□H



90 mm sq. (3.54 inch sq.) 90 W
M9MZ90H4Y + MY9G□H



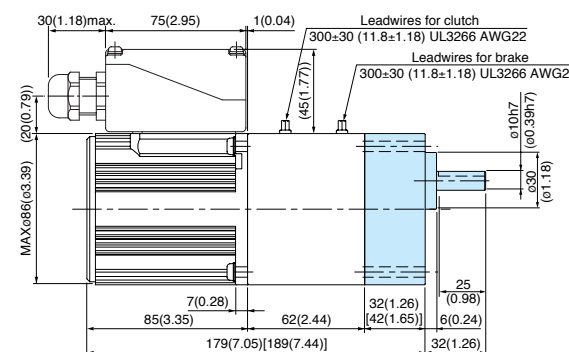
C&B motor (3-phase motor sealed connector)

Gear head combination dimensions

Scale: 1/4, Unit: mm (inch)

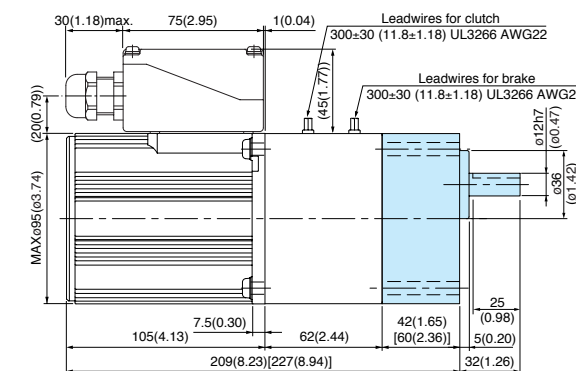
* Gear head is sold separately.

80 mm sq. (3.15 inch sq.) 25 W
M8MX25HK4Y + MX8G□H



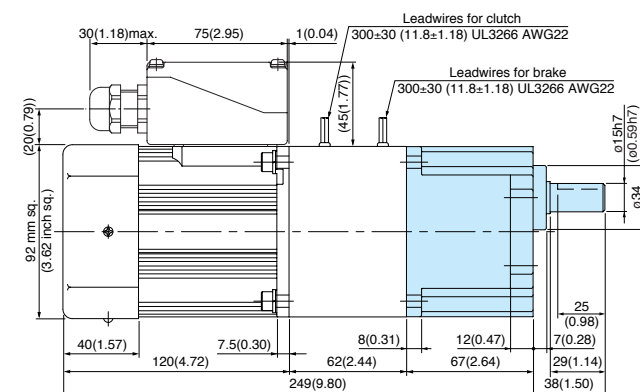
* Figures in [] represent the dimensions of MX8G□H (1/30 or larger reduction ratio).
* Diameter of applicable cabtyre cable to be ø8(ø0.31) to ø12(ø0.47).

90 mm sq. (3.54 inch sq.) 40 W
M9MX40HK4Y + MX9G□H



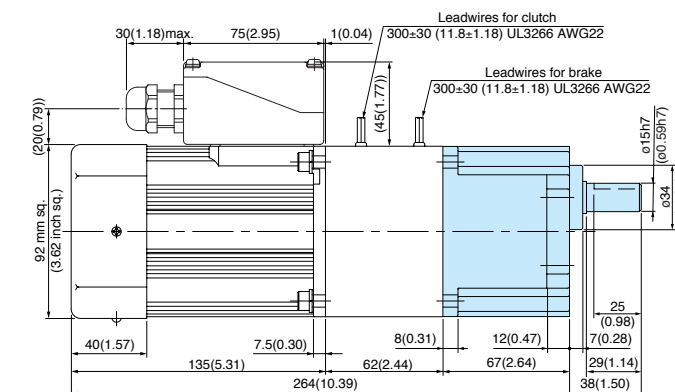
* Figures in [] represent the dimensions of MX9G□H (1/20 or larger reduction ratio).
* Diameter of applicable cabtyre cable to be ø8(ø0.31) to ø12(ø0.47).

90 mm sq. (3.54 inch sq.) 60 W
M9MZ60HK4Y + MY9G□H



* Diameter of applicable cabtyre cable to be ø8(ø0.31) to ø12(ø0.47).

90 mm sq. (3.54 inch sq.) 90 W
M9MZ90HK4Y + MY9G□H



* Diameter of applicable cabtyre cable to be ø8(ø0.31) to ø12(ø0.47).

Induction motor
Reversible motor
3-phase motor
Electromagnetic brake motor
Variable speed induction motor
Variable speed reversible motor
Variable speed electromagnetic brake single-phase motor
Variable speed unit motor
C&B motor
2-pole round shaft motor
Gear head
Gear head - inch (U.S.A.)

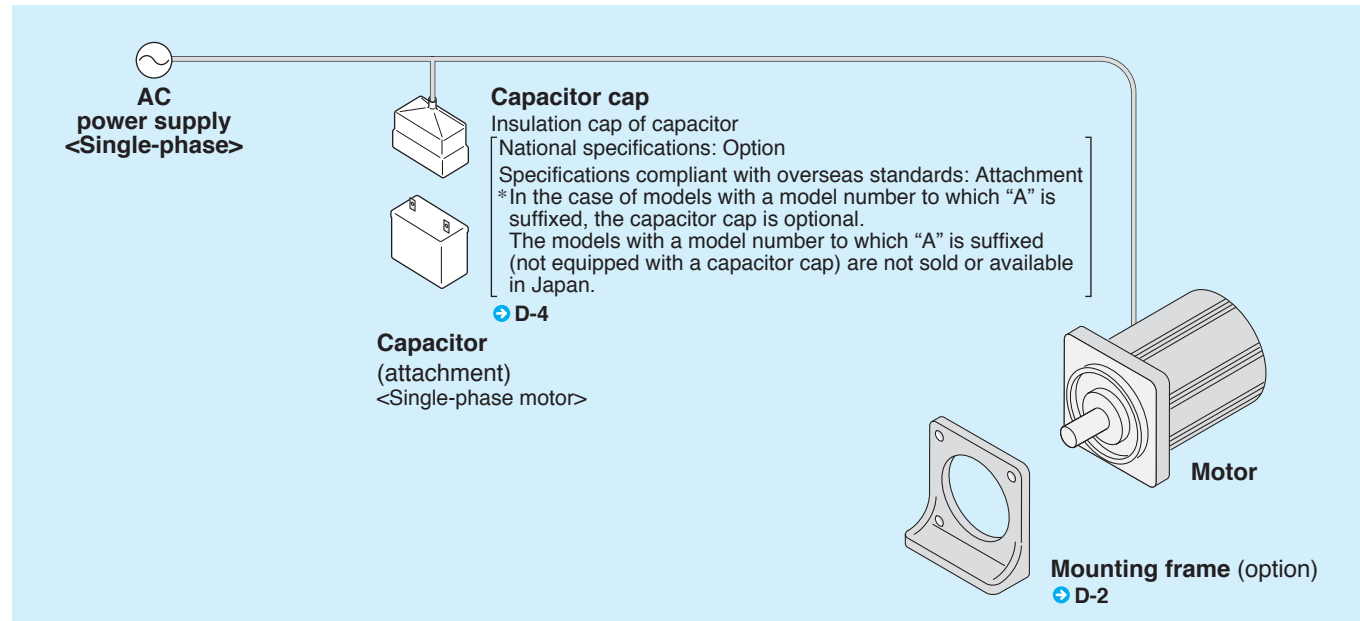
2-pole round shaft motor

Outline of motor

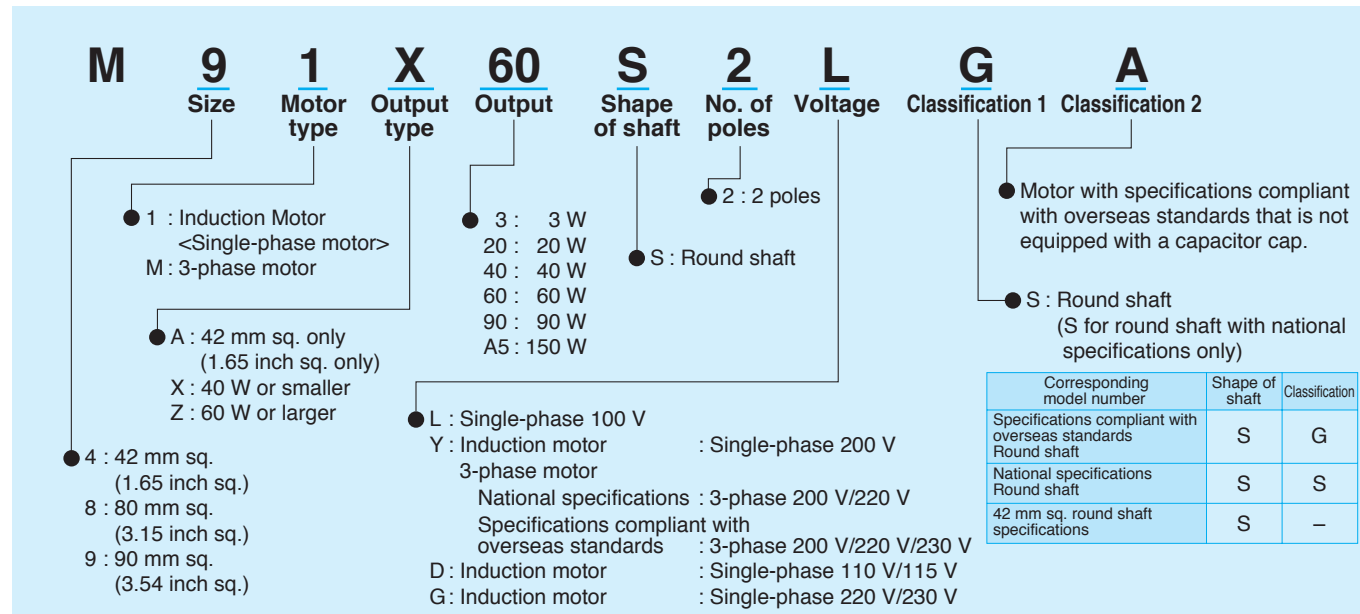
Features

- High-speed induction motor (50 Hz: 3000 r/min, 60 Hz: 3600 r/min)
- Continuous time rating

System configuration diagram <In the case of single-phase power supply>



Coding system



Fit tolerance

Fit tolerance symbol is used in the outside dimension diagram of motor and gear head. For further information, see "Fit tolerance" on page A-33.

Model list

★ Motor compliant with overseas standards e Motor compliant with China efficiency standards c

Size	Output (W)	Single-phase induction motor			3-phase motor			
		Model number	Specifications	Page	Model number	Specifications	Page	
42 mm sq. (1.65 inch sq.)	3	M41A3S2L	100 V	B-408				
80 mm sq. (3.15 inch sq.)	20	M81X20S2LS	100 V	B-409				
		M81X20S2YS	200 V	B-409				
	40	M81X40S2LS	100 V	B-410	M8MX40S2YS	200 V/220 V	B-420	
		M81X40S2YS	200 V	B-410	M8MX40S2YG(A)	200 V/220 V/230 V ★	B-421	
		M81X40S2LG(A)	100 V ★	B-411				
		M81X40S2DG(A)	110 V/115 V ★	B-411				
		M81X40S2YG(A)	200 V ★	B-411				
		M81X40S2GG(A)	220 V/230 V ★ e	B-411				
	60	M81X60S2LS	100 V	B-412	M8MX60S2YS	200 V/220 V	B-422	
		M81X60S2YS	200 V	B-412	M8MX60S2YG(A)	200 V/220 V/230 V ★	B-423	
M81X60S2LG(A)		100 V ★	B-413					
M81X60S2DG(A)		110 V/115 V ★	B-413					
M81X60S2YG(A)		200 V ★	B-413					
M81X60S2GG(A)		220 V/230 V ★	B-413					
90 mm sq. (3.54 inch sq.)	60	M91X60S2LS	100 V	B-414	M9MX60S2YS	200 V/220 V	B-424	
		M91X60S2YS	200 V	B-414	M9MX60S2YG(A)	200 V/220 V/230 V ★	B-425	
		M91X60S2LG(A)	100 V ★	B-415				
		M91X60S2DG(A)	110 V/115 V ★	B-415				
		M91X60S2YG(A)	200 V ★	B-415				
		M91X60S2GG(A)	220 V/230 V ★ e	B-415				
	90	M91Z90S2LS	100 V	B-416	M9MZ90S2YS	200 V/220 V	B-426	
		M91Z90S2YS	200 V	B-416	M9MZ90S2YG(A)	200 V/220 V/230 V ★	B-427	
		M91Z90S2LG(A)	100 V ★	B-417				
		M91Z90S2DG(A)	110 V/115 V ★	B-417				
		M91Z90S2YG(A)	200 V ★	B-417				
		M91Z90S2GG(A)	220 V/230 V ★ e	B-417				
		150	M91ZA5S2LS	100 V	B-418	M9MZA5S2YS	200 V/220 V	B-428
			M91ZA5S2YS	200 V	B-418	M9MZA5S2YG(A)	200 V/220 V/230 V ★	B-429
M91ZA5S2LG(A)	100 V ★		B-419					
M91ZA5S2DG(A)	110 V/115 V ★		B-419					
M91ZA5S2YG(A)	200 V ★		B-419					
M91ZA5S2GG(A)	220 V/230 V ★ e		B-419					

* The models with a motor model number to which "A" is suffixed are not equipped with a capacitor cap. The models with a motor model number to which "A" is suffixed are not sold or available in Japan.

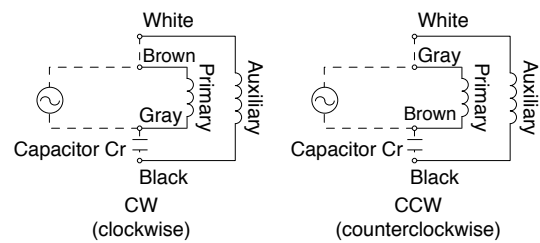
2-pole round shaft motor (Induction motor)

42 mm (1.65 inch) sq. 3 W

• Specifications

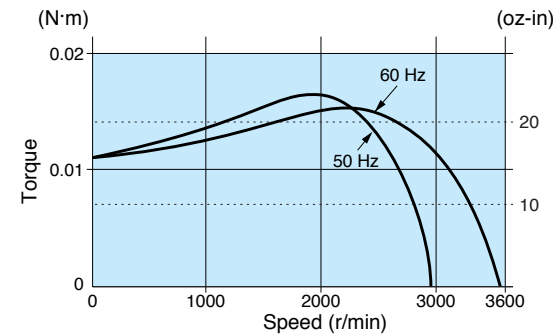
Size	Motor model No.	Number of pole (P)	Output (W)	Voltage (V)	Frequency (Hz)	Rating (min)	Rating				Starting current (A)	Starting torque N·m (oz·in)	Capacitor (μF) (rated voltage)
							Input (W)	Current (A)	Speed (r/min)	Torque N·m (oz·in)			
42 mm sq.	M41A3S2L	2	3	100	50	Cont.	10	0.10	2625	0.011 (1.56)	0.15	0.011 (1.56)	1.5 (200 V)
					60		9	0.10	3250	0.009 (1.27)			

Connection diagram



Speed-torque characteristics

M41A3S2L

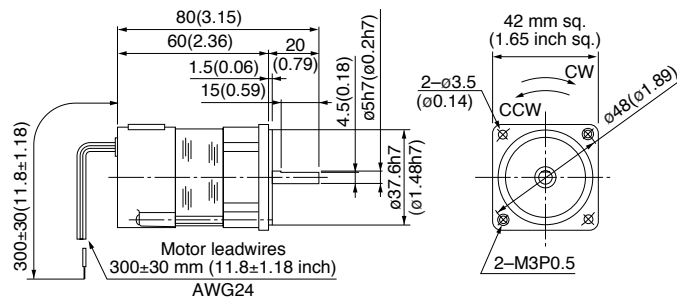


Motor (dimensions)

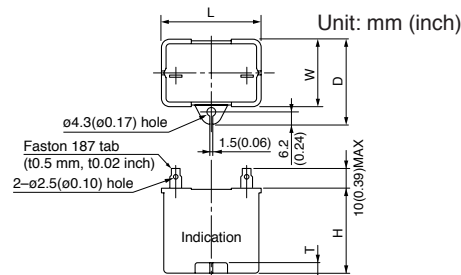
Scale: 1/3, Unit: mm (inch)

M41A3S2L 2P 3 W 100 V

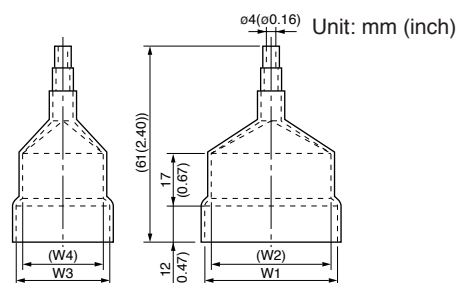
Mass
0.3 kg
0.66 lb



Capacitor (dimensions) [attachment]



Capacitor cap (dimensions) [option]



• Capacitor dimension list Unit: upper (mm) / lower (inch)

Model number of motor	Model number of capacitor (attachment)	L	W	D	H	T	Capacitor cap (option)	W1	W2	W3	W4
M41A3S2L	M0PC1.5M20	39.5 (1.56)	16 (0.63)	26.5 (1.04)	30.5 (1.20)	4 (0.16)	M0PC3917	39.5 (1.56)	37.5 (1.48)	17 (0.67)	15 (0.59)

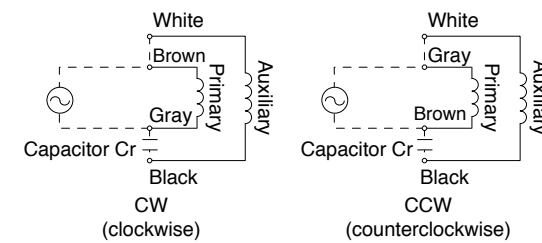
2-pole round shaft motor (Induction motor)

80 mm (3.15 inch) sq. 20 W

• Specifications

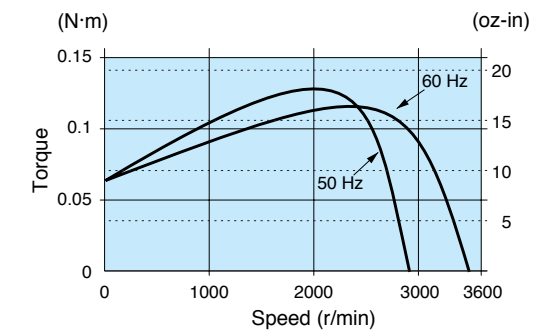
Size	Motor model No.	Number of pole (P)	Output (W)	Voltage (V)	Frequency (Hz)	Rating (min)	Rating				Starting current (A)	Starting torque N·m (oz·in)	Capacitor (μF) (rated voltage)
							Input (W)	Current (A)	Speed (r/min)	Torque N·m (oz·in)			
80 mm sq.	M81X20S2LS	2	20	100	50	Cont.	40	0.40	2575	0.074 (10.5)	0.83	0.064 (9.06)	6 (200 V)
					60		38	0.38	3175	0.060 (8.50)			
	M81X20S2YS	2	20	200	50	Cont.	40	0.20	2575	0.074 (10.5)	0.42	0.063 (8.92)	1.5 (400 V)
					60		39	0.20	3150	0.061 (8.64)			

Connection diagram



Speed-torque characteristics

M81X20S2LS

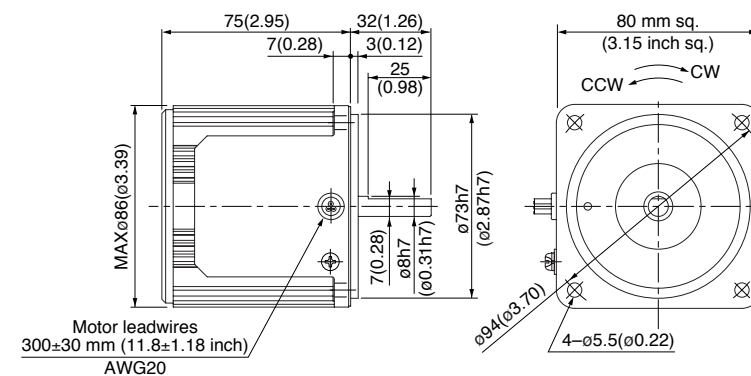


Motor (dimensions)

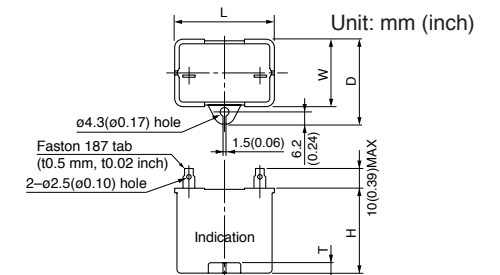
Scale: 1/3, Unit: mm (inch)

M81X20S2LS 2P 20 W 100 V
M81X20S2YS 2P 20 W 200 V

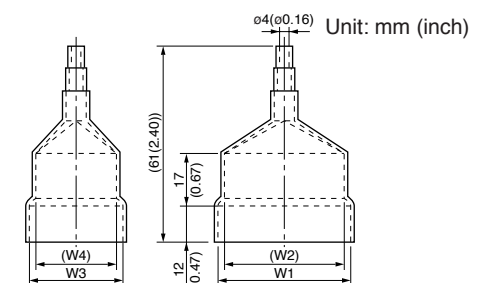
Mass
1.2 kg
2.65 lb



Capacitor (dimensions) [attachment]



Capacitor cap (dimensions) [option]



• Capacitor dimension list Unit: upper (mm) / lower (inch)

Model number of motor	Model number of capacitor (attachment)	L	W	D	H	T	Capacitor cap (option)	W1	W2	W3	W4
M81X20S2LS	M0PC6M20	39.5 (1.56)	17.5 (0.69)	28 (1.10)	30.5 (1.20)	4 (0.16)	M0PC3917	39.5 (1.56)	37.5 (1.48)	17 (0.67)	15 (0.59)
M81X20S2YS	M0PC1.5M40	39.5 (1.56)	22 (0.87)	32.5 (1.28)	32.5 (1.28)	4 (0.16)	M0PC3922	39.5 (1.56)	37.5 (1.48)	22 (0.87)	20 (0.79)

* The models with a motor model number to which "A" is suffixed are not equipped with a capacitor cap.

(Note) Because the dimensions may be subject to change, also check the determinate dimensions if the gear head is to be used for design.

* Please read your User's manual carefully so that you will understand the operation and safety precautions before attempting to operate the system.

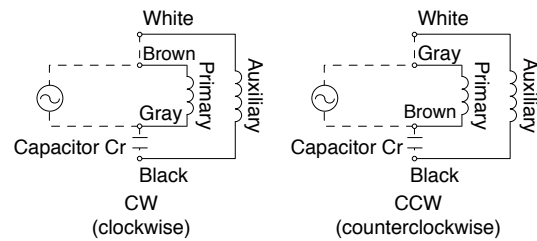
2-pole round shaft motor (Induction motor)

80 mm (3.15 inch) sq. 40 W

Specifications

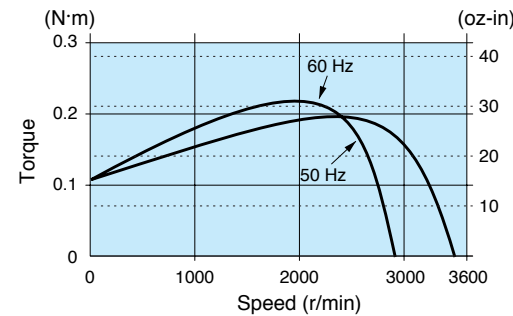
Size	Motor model No.	Number of pole (P)	Output (W)	Voltage (V)	Frequency (Hz)	Rating (min)	Rating				Starting current (A)	Starting torque N·m (oz·in)	Capacitor (μF) (rated voltage)
							Input (W)	Current (A)	Speed (r/min)	Torque N·m (oz·in)			
80 mm sq.	M81X40S2LS	2	40	100	50	Cont.	70	0.70	2550	0.14 (19.8)	1.5	0.10 (14.2)	10 (200 V)
							68	0.70	3125	0.12 (17.0)	1.4	0.10 (14.2)	
	M81X40S2YS	2	40	200	50	Cont.	66	0.33	2525	0.14 (19.8)	0.67	0.11 (15.6)	2.5 (400 V)
							69	0.36	3075	0.12 (17.0)	0.66	0.11 (15.6)	

Connection diagram



Speed-torque characteristics

M81X40S2LS

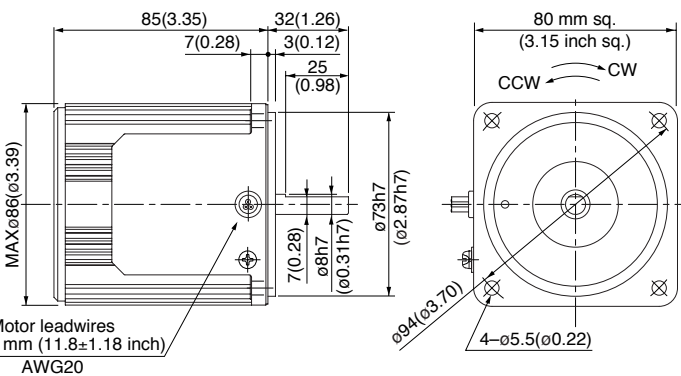


Motor (dimensions)

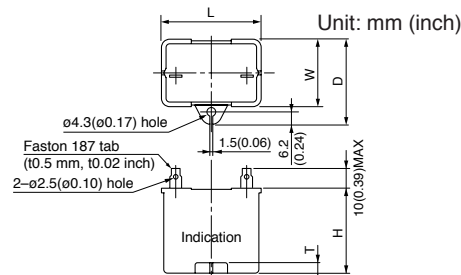
Scale: 1/3, Unit: mm (inch)

M81X40S2LS	2P	40 W	100 V
M81X40S2YS	2P	40 W	200 V

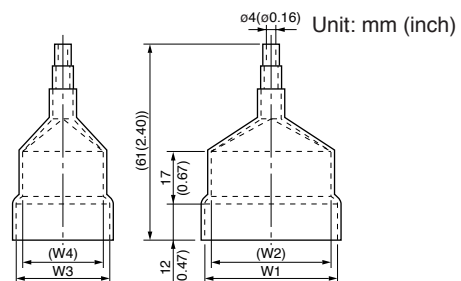
Mass
1.5 kg
3.31 lb



Capacitor (dimensions) [attachment]



Capacitor cap (dimensions) [option]



Capacitor dimension list Unit: upper (mm) / lower (inch)

Model number of motor	Model number of capacitor (attachment)	L	W	D	H	T	Capacitor cap (option)	W1	W2	W3	W4
M81X40S2LS	M0PC10M20	39.5 (1.56)	26.7 (1.05)	37 (1.46)	32 (1.26)	4 (0.16)	M0PC3926	39.5 (1.56)	37.5 (1.48)	26 (1.02)	25 (0.98)
M81X40S2YS	M0PC2.5M40	49.7 (1.96)	24 (0.94)	34.5 (1.36)	34.5 (1.36)	4 (0.16)	M0PC5026	50 (1.97)	48 (1.89)	26 (1.02)	22 (0.87)

* Please read your User's manual carefully so that you will understand the operation and safety precautions before attempting to operate the system.

2-pole round shaft motor (Induction motor)

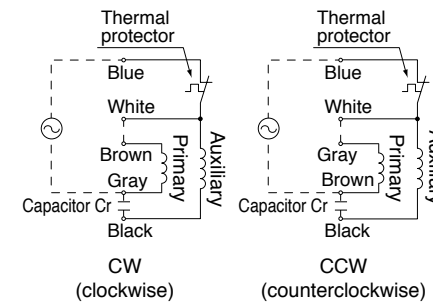
80 mm (3.15 inch) sq. 40 W

Specifications

Size	Motor model No.	Number of pole (P)	Output (W)	Voltage (V)	Frequency (Hz)	Rating (min)	Rating				Starting current (A)	Starting torque N·m (oz·in)	Capacitor (μF) (rated voltage)				
							Input (W)	Current (A)	Speed (r/min)	Torque N·m (oz·in)							
80 mm sq.	M81X40S2LG	2	40	100	50	Cont.	72	0.71	2575	0.15 (21.2)	1.6	0.10 (14.2)	10 (250 V)				
							70	0.70	3150	0.12 (17.0)	1.5	0.10 (14.2)					
	M81X40S2DG	2	40	110	60	Cont.	69	0.62	3225	0.12 (17.0)	1.6	0.10 (14.2)	8 (250 V)				
							71	0.62	3275	0.12 (17.0)	1.7	0.10 (14.2)					
	M81X40S2YG	2	40	200	50	Cont.	71	0.36	2425	0.16 (22.7)	0.65	0.10 (14.2)	2.5 (450 V)				
							73	0.38	3025	0.13 (18.4)	0.64	0.10 (14.2)					
	M81X40S2GG	2	40	220	50	Cont.	72	0.34	2525	0.15 (21.2)	0.69	0.10 (14.2)	1.7 (450 V)				
							66	0.30	3125	0.12 (17.0)	0.67	0.10 (14.2)					
					M81X40S2GGA	2	40	230	50	Cont.	73	0.33		2600	0.15 (21.2)	0.71	0.10 (14.2)
											65	0.29		3200	0.12 (17.0)	0.69	0.10 (14.2)

* The models with a motor model number to which "A" is suffixed are not equipped with a capacitor cap.
The models with a motor model number to which "A" is suffixed are not sold or available in Japan.

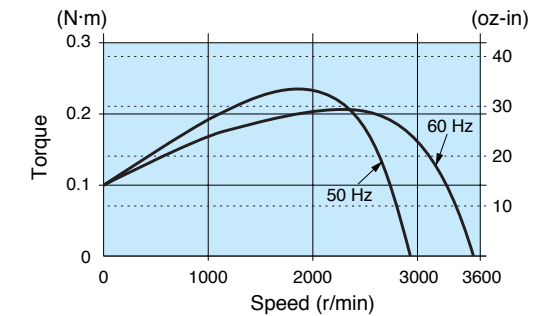
Connection diagram



(Refer to page A-58 for connection of thermal protector.)

Speed-torque characteristics

M81X40S2LG(A)

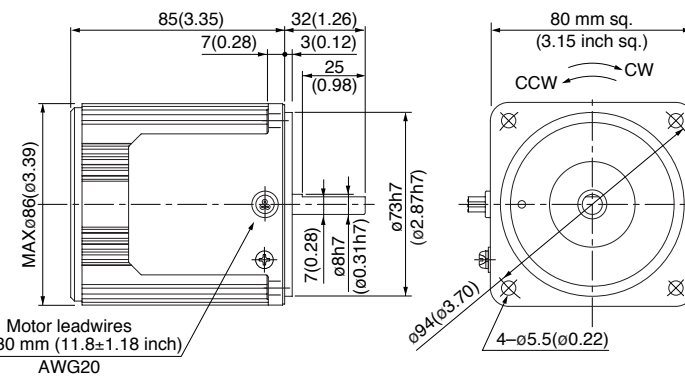


Motor (dimensions)

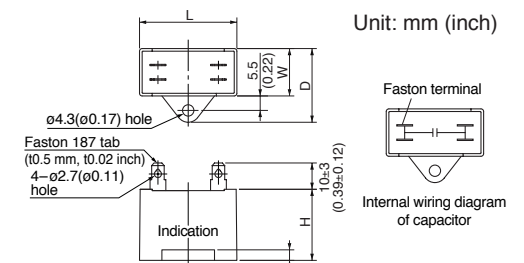
Scale: 1/3, Unit: mm (inch)

M81X40S2LG(A)	2P	40 W	100 V
M81X40S2DG(A)	2P	40 W	110 V / 115 V
M81X40S2YG(A)	2P	40 W	200 V
M81X40S2GG(A)	2P	40 W	220 V / 230 V

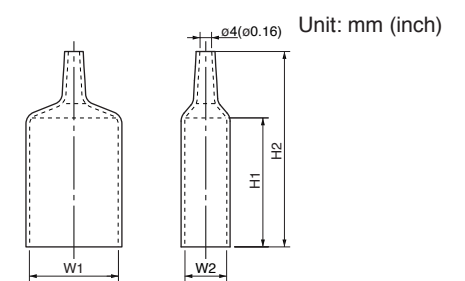
Mass
1.5 kg
3.31 lb



Capacitor (dimensions) [attachment]



Capacitor cap (dimensions) [attachment]



Capacitor dimension list Unit: upper (mm) / lower (inch)

Model number of motor	Model number of capacitor (attachment)	L	W	D	H	T	Capacitor cap (attachment)	W1	W2	H1	H2
M81X40S2LG(A)	M0PC10M25G	58 (2.28)	21 (0.83)	31 (1.22)	31 (1.22)	4 (0.16)	M0PC5821G	58 (2.28)	21 (0.83)	55 (2.17)	78 (3.07)
M81X40S2DG(A)	M0PC8M25G	48 (1.89)	21 (0.83)	31 (1.22)	31 (1.22)	4 (0.16)	M0PC4821G	48 (1.89)	21 (0.83)	55 (2.17)	78 (3.07)
M81X40S2YG(A)	M0PC2.5M45G	48 (1.89)	21 (0.83)	31 (1.22)	31 (1.22)	4 (0.16)	M0PC4821G	48 (1.89)	21 (0.83)	55 (2.17)	78 (3.07)
M81X40S2GG(A)	M0PC1.7M45G	38 (1.50)	21 (0.83)	31 (1.22)	31 (1.22)	4 (0.16)	M0PC3821G	38 (1.50)	21 (0.83)	55 (2.17)	78 (3.07)

* The models with a motor model number to which "A" is suffixed are not equipped with a capacitor cap.

(Note) Because the dimensions may be subject to change, also check the determinate dimensions if the gear head is to be used for design.

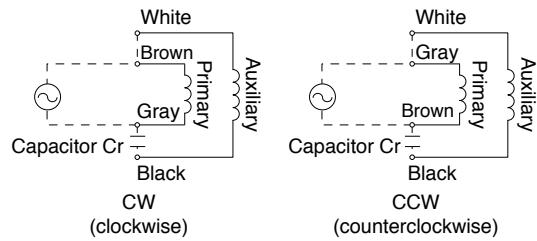
2-pole round shaft motor (Induction motor)

80 mm (3.15 inch) sq. 60 W

Specifications

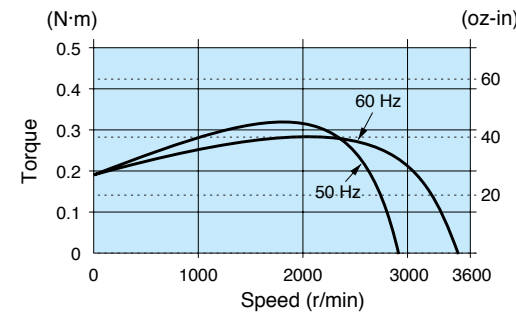
Size	Motor model No.	Number of pole (P)	Output (W)	Voltage (V)	Frequency (Hz)	Rating (min)	Rating				Starting current (A)	Starting torque N·m (oz·in)	Capacitor (μF) (rated voltage)
							Input (W)	Current (A)	Speed (r/min)	Torque N·m (oz·in)			
80 mm sq.	M81X60S2LS	2	60	100	50	Cont.	111	1.1	2500	0.23 (32.6)	1.9	0.19 (26.9)	12 (200 V)
					60		114	1.2	3050	0.19 (26.9)	1.9	0.19 (26.9)	
	M81X60S2YS	2	60	200	50	Cont.	112	0.56	2475	0.23 (32.6)	0.97	0.18 (25.5)	3.0 (400 V)
					60		117	0.59	3025	0.20 (28.3)	0.96	0.18 (25.5)	

Connection diagram



Speed-torque characteristics

M81X60S2LS

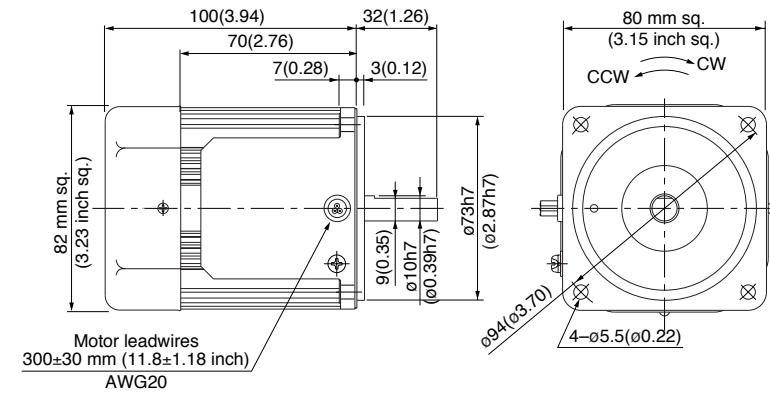


Motor (dimensions)

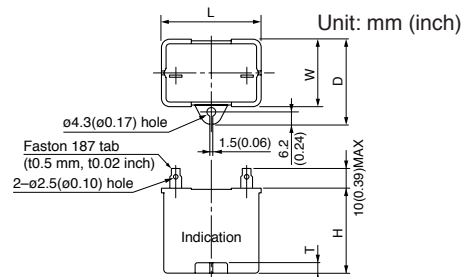
Scale: 1/3, Unit: mm (inch)

M81X60S2LS	2P	60 W	100 V (with fan)
M81X60S2YS	2P	60 W	200 V (with fan)

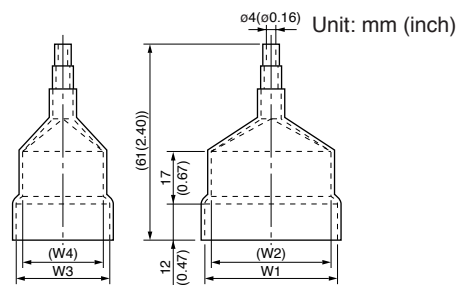
Mass
1.8 kg
3.97 lb



Capacitor (dimensions) [attachment]



Capacitor cap (dimensions) [option]



Capacitor dimension list Unit: upper (mm) / lower (inch)

Model number of motor	Model number of capacitor (attachment)	L	W	D	H	T	Capacitor cap (option)	W1	W2	W3	W4
M81X60S2LS	M0PC12M20	39.5 (1.56)	26.7 (1.05)	37 (1.46)	32 (1.26)	4 (0.16)	M0PC3926	39.5 (1.56)	37.5 (1.48)	26 (1.02)	25 (0.98)
M81X60S2YS	M0PC3M40	49.7 (1.96)	24 (0.94)	34.5 (1.36)	34.5 (1.36)	4 (0.16)	M0PC5026	50 (1.97)	48 (1.89)	26 (1.02)	22 (0.87)

* Please read your User's manual carefully so that you will understand the operation and safety precautions before attempting to operate the system.

2-pole round shaft motor (Induction motor)

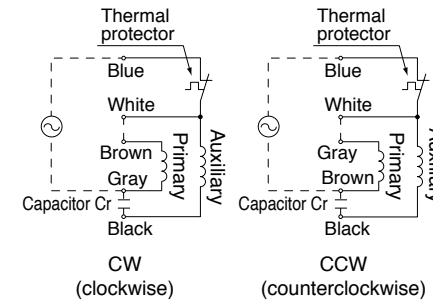
80 mm (3.15 inch) sq. 60 W

Specifications

Size	Motor model No.	Number of pole (P)	Output (W)	Voltage (V)	Frequency (Hz)	Rating (min)	Rating				Starting current (A)	Starting torque N·m (oz·in)	Capacitor (μF) (rated voltage)
							Input (W)	Current (A)	Speed (r/min)	Torque N·m (oz·in)			
80 mm sq.	M81X60S2LG M81X60S2LGA	2	60	100	50	Cont.	113	1.1	2450	0.23 (32.6)	1.9	0.18 (25.5)	18 (250 V)
					60		118	1.2	3050	0.19 (26.9)	1.9	0.18 (25.5)	
	M81X60S2DG M81X60S2DGA	2	60	110	60	Cont.	105	0.95	3100	0.18 (25.5)	1.9	0.18 (25.5)	12 (250 V)
					60		108	0.94	3175	0.18 (25.5)	2.0	0.18 (25.5)	
	M81X60S2YG M81X60S2YGA	2	60	200	50	Cont.	126	0.64	2250	0.25 (35.4)	0.82	0.18 (25.5)	5 (450 V)
					60		143	0.74	2725	0.21 (29.7)	0.87	0.18 (25.5)	
	M81X60S2GG M81X60S2GGA	2	60	220	50	Cont.	114	0.52	2475	0.23 (32.6)	0.84	0.18 (25.5)	4 (450 V)
					60		122	0.58	3050	0.19 (26.9)	0.86	0.18 (25.5)	
					50		119	0.52	2550	0.22 (31.2)	0.87	0.18 (25.5)	
					60		125	0.57	3125	0.18 (25.5)	0.90	0.18 (25.5)	

* The models with a motor model number to which "A" is suffixed are not equipped with a capacitor cap. The models with a motor model number to which "A" is suffixed are not sold or available in Japan.

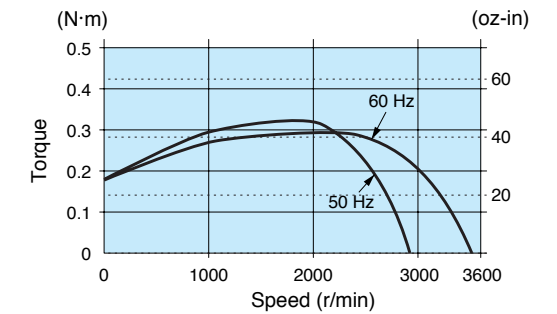
Connection diagram



(Refer to page A-58 for connection of thermal protector.)

Speed-torque characteristics

M81X60S2LG(A)

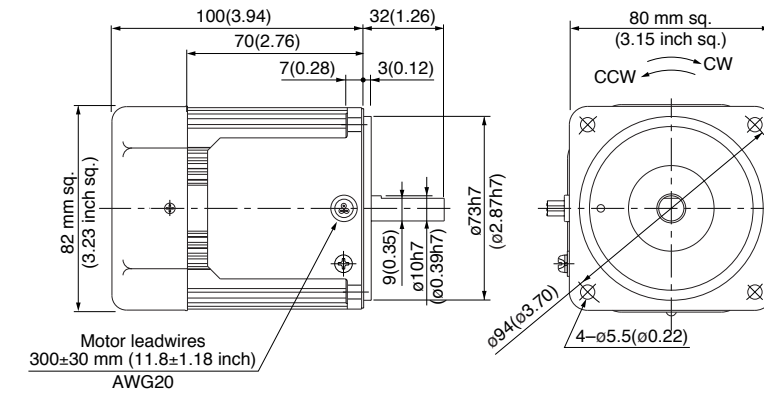


Motor (dimensions)

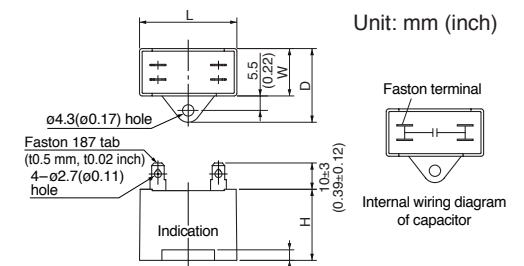
Scale: 1/3, Unit: mm (inch)

M81X60S2LG(A)	2P	60 W	100 V (with fan)
M81X60S2DG(A)	2P	60 W	110 V / 115 V (with fan)
M81X60S2YG(A)	2P	60 W	200 V (with fan)
M81X60S2GG(A)	2P	60 W	220 V / 230 V (with fan)

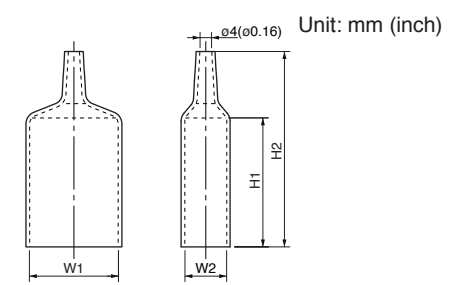
Mass
1.8 kg
3.97 lb



Capacitor (dimensions) [attachment]



Capacitor cap (dimensions) [attachment]



Capacitor dimension list Unit: upper (mm) / lower (inch)

Model number of motor	Model number of capacitor (attachment)	L	W	D	H	T	Capacitor cap (attachment)	W1	W2	H1	H2
M81X60S2LG(A)	M0PC18M25G	58 (2.28)	29 (1.14)	44 (1.73)	41 (1.61)	4 (0.16)	M0PC5829G	58 (2.28)	29 (1.14)	55 (2.17)	78 (3.07)
M81X60S2DG(A)	M0PC12M25G	58 (2.28)	22 (0.87)	32 (1.26)	35 (1.38)	4 (0.16)	M0PC5822G	58 (2.28)	22 (0.87)	55 (2.17)	78 (3.07)
M81X60S2YG(A)	M0PC5M45G	58 (2.28)	29 (1.14)	44 (1.73)	41 (1.61)	4 (0.16)	M0PC5829G	58 (2.28)	29 (1.14)	55 (2.17)	78 (3.07)
M81X60S2GG(A)	M0PC4M45G	58 (2.28)	23.5 (0.93)	38.5 (1.52)	37 (1.46)	4 (0.16)	M0PC5823G	58 (2.28)	23.5 (0.93)	55 (2.17)	78 (3.07)

* The models with a motor model number to which "A" is suffixed are not equipped with a capacitor cap.

(Note) Because the dimensions may be subject to change, also check the determinate dimensions if the gear head is to be used for design.

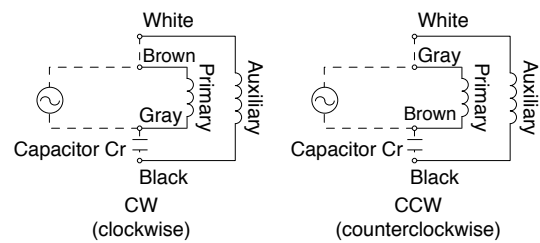
2-pole round shaft motor (Induction motor)

90 mm (3.54 inch) sq. 60 W

Specifications

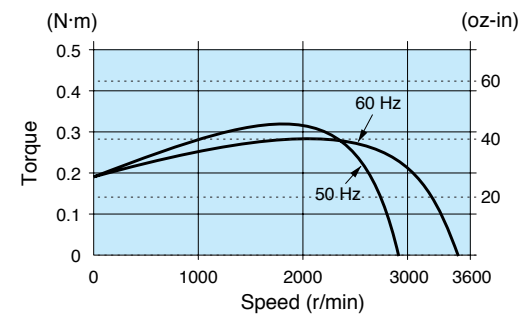
Size	Motor model No.	Number of pole (P)	Output (W)	Voltage (V)	Frequency (Hz)	Rating (min)	Rating				Starting current (A)	Starting torque N·m (oz·in)	Capacitor (μF) (rated voltage)
							Input (W)	Current (A)	Speed (r/min)	Torque N·m (oz·in)			
90 mm sq.	M91X60S2LS	2	60	100	50	Cont.	92	0.95	2725	0.20 (28.3)	2.9	0.17 (24.1)	14 (200 V)
					60		89	0.90	3325	0.16 (22.7)	2.8	0.17 (24.1)	
	M91X60S2YS	2	60	200	50	Cont.	94	0.48	2725	0.20 (28.3)	1.4	0.17 (24.1)	3.5 (400 V)
					60		90	0.46	3300	0.16 (22.7)	1.4	0.17 (24.1)	

Connection diagram



Speed-torque characteristics

M91X60S2LS

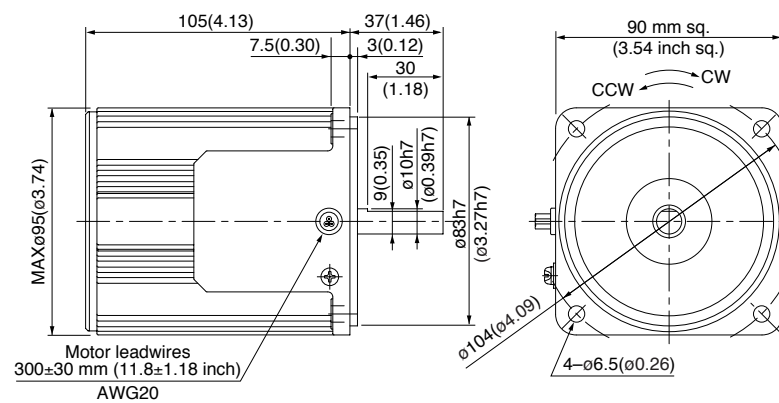


Motor (dimensions)

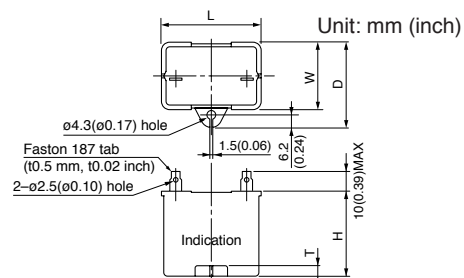
Scale: 1/3, Unit: mm (inch)

M91X60S2LS	2P	60 W	100 V
M91X60S2YS	2P	60 W	200 V

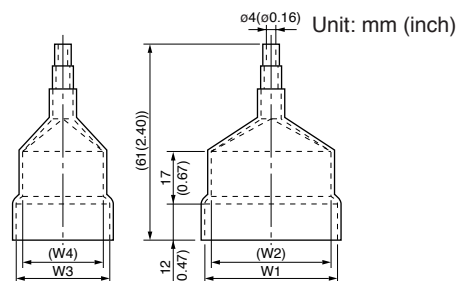
Mass
2.4 kg
5.29 lb



Capacitor (dimensions) [attachment]



Capacitor cap (dimensions) [option]



Capacitor dimension list Unit: upper (mm) / lower (inch)

Model number of motor	Model number of capacitor (attachment)	L	W	D	H	T	Capacitor cap (option)	W1	W2	W3	W4
M91X60S2LS	M0PC14M20	39.5 (1.56)	26.7 (1.05)	37 (1.46)	41 (1.61)	4 (0.16)	M0PC3926	39.5 (1.56)	37.5 (1.48)	26 (1.02)	25 (0.98)
M91X60S2YS	M0PC3.5M40	49.7 (1.96)	24 (0.94)	34.5 (1.36)	34.5 (1.36)	4 (0.16)	M0PC5026	50 (1.97)	48 (1.89)	26 (1.02)	22 (0.87)

* Please read your User's manual carefully so that you will understand the operation and safety precautions before attempting to operate the system.

2-pole round shaft motor (Induction motor)

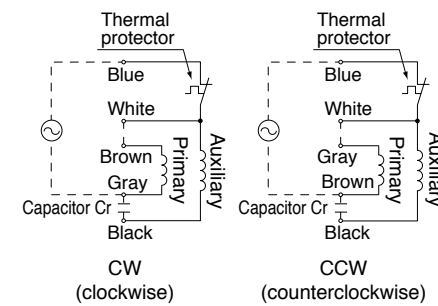
90 mm (3.54 inch) sq. 60 W

Specifications

Size	Motor model No.	Number of pole (P)	Output (W)	Voltage (V)	Frequency (Hz)	Rating (min)	Rating				Starting current (A)	Starting torque N·m (oz·in)	Capacitor (μF) (rated voltage)
							Input (W)	Current (A)	Speed (r/min)	Torque N·m (oz·in)			
90 mm sq.	M91X60S2LG M91X60S2LGA	2	60	100	50	Cont.	93	0.98	2725	0.21 (29.7)	3.1	0.16 (22.7)	14 (250 V)
					60		89	0.90	3325	0.17 (24.1)	2.9	0.16 (22.7)	
	M91X60S2DG M91X60S2DGA	2	60	110	60	Cont.	91	0.83	3375	0.17 (24.1)	3.2	0.16 (22.7)	12 (250 V)
					60		94	0.82	3375	0.17 (24.1)	3.3	0.16 (22.7)	
	M91X60S2YG M91X60S2YGA	2	60	200	50	Cont.	92	0.46	2700	0.21 (29.7)	1.3	0.16 (22.7)	4 (450 V)
					60		98	0.53	3275	0.17 (24.1)	1.3	0.16 (22.7)	
	M91X60S2GG M91X60S2GGA	2	60	220	50	Cont.	93	0.45	2725	0.21 (29.7)	1.4	0.16 (22.7)	3 (450 V)
					60		91	0.42	3325	0.17 (24.1)	1.4	0.16 (22.7)	
					50		97	0.46	2750	0.21 (29.7)	1.5	0.16 (22.7)	
					60		92	0.41	3350	0.17 (24.1)	1.4	0.16 (22.7)	

* The models with a motor model number to which "A" is suffixed are not equipped with a capacitor cap.
The models with a motor model number to which "A" is suffixed are not sold or available in Japan.

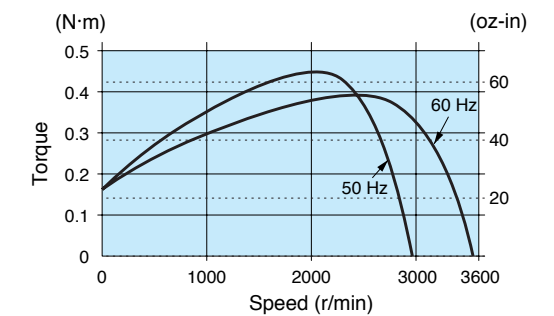
Connection diagram



(Refer to page A-58 for connection of thermal protector.)

Speed-torque characteristics

M91X60S2LG(A)

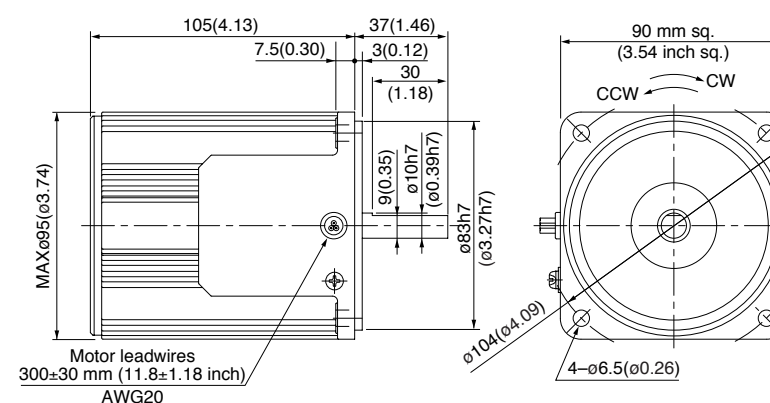


Motor (dimensions)

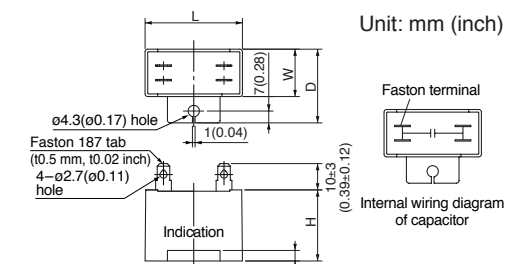
Scale: 1/3, Unit: mm (inch)

M91X60S2LG(A)	2P	60 W	100 V
M91X60S2DG(A)	2P	60 W	110 V / 115 V
M91X60S2YG(A)	2P	60 W	200 V
M91X60S2GG(A)	2P	60 W	220 V / 230 V

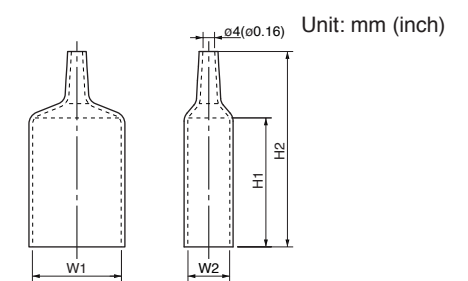
Mass
2.4 kg
5.29 lb



Capacitor (dimensions) [attachment]



Capacitor cap (dimensions) [attachment]



Capacitor dimension list Unit: upper (mm) / lower (inch)

Model number of motor	Model number of capacitor (attachment)	L	W	D	H	T	Capacitor cap (attachment)	W1	W2	H1	H2
M91X60S2LG(A)	M0PC14M25G	58 (2.28)	22 (0.87)	32 (1.26)	35 (1.38)	4 (0.16)	M0PC5822G	58 (2.28)	22 (0.87)	55 (2.17)	78 (3.07)
M91X60S2DG(A)	M0PC12M25G	58 (2.28)	22 (0.87)	32 (1.26)	35 (1.38)	4 (0.16)	M0PC5822G	58 (2.28)	22 (0.87)	55 (2.17)	78 (3.07)
M91X60S2YG(A)	M0PC4M45G	58 (2.28)	23.5 (0.93)	38.5 (1.52)	37 (1.46)	4 (0.16)	M0PC5823G	58 (2.28)	23.5 (0.93)	55 (2.17)	78 (3.07)
M91X60S2GG(A)	M0PC3M45G	58 (2.28)	21 (0.83)	31 (1.22)	31 (1.22)	4 (0.16)	M0PC4821G	48 (1.89)	21 (0.83)	55 (2.17)	78 (3.07)

* The models with a motor model number to which "A" is suffixed are not equipped with a capacitor cap.

(Note) Because the dimensions may be subject to change, also check the determinate dimensions if the gear head is to be used for design.

Induction motor
Reversible motor
3-phase motor
Electromagnetic brake motor
Variable speed induction motor
Variable speed reversible motor
Variable speed electromagnetic brake single-phase motor
Variable speed unit motor
C&B motor
2-pole round shaft motor
Gear head
Gear head - inch (U.S.A.)

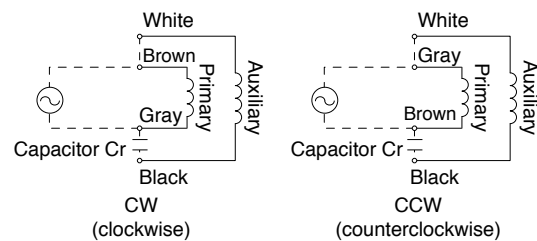
2-pole round shaft motor (Induction motor)

90 mm (3.54 inch) sq. 150 W

Specifications

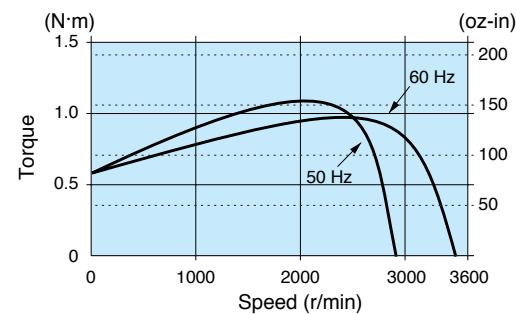
Size	Motor model No.	Number of pole (P)	Output (W)	Voltage (V)	Frequency (Hz)	Rating (min)	Rating				Starting current (A)	Starting torque N·m (oz·in)	Capacitor (μF) (rated voltage)
							Input (W)	Current (A)	Speed (r/min)	Torque N·m (oz·in)			
90 mm sq.	M91ZA5S2LS	2	150	100	50	Cont.	240	2.5	2700	0.53 (75.1)	6.1	0.58 (82.1)	40 (180 V)
							251	2.7	3275	0.44 (62.3)	5.9	0.58 (82.1)	
	M91ZA5S2YS	2	150	200	50	Cont.	235	1.2	2725	0.53 (75.1)	3.2	0.53 (75.1)	10 (400 V)
							240	1.3	3300	0.43 (60.9)	3.0	0.53 (75.1)	

Connection diagram



Speed-torque characteristics

M91ZA5S2LS

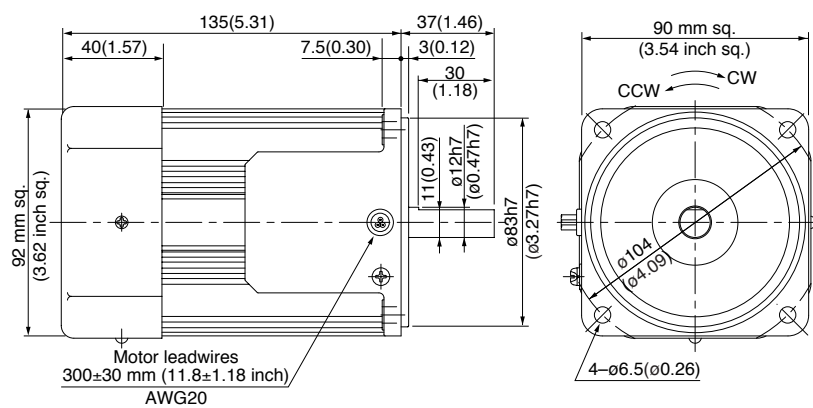


Motor (dimensions)

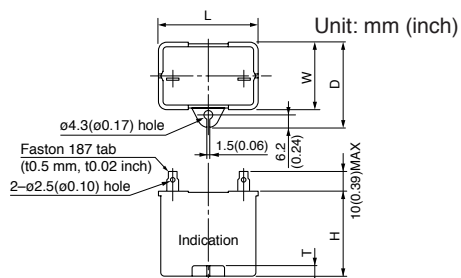
Scale: 1/3, Unit: mm (inch)

M91ZA5S2LS	2P	150 W	100 V (with fan)
M91ZA5S2YS	2P	150 W	200 V (with fan)

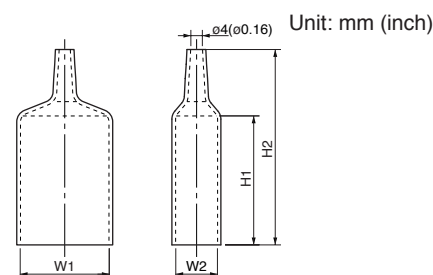
Mass
3.2 kg
7.05 lb



Capacitor (dimensions) [attachment]



Capacitor cap (dimensions) [option]



Capacitor dimension list Unit: upper (mm) / lower (inch)

Model number of motor	Model number of capacitor (attachment)	L	W	D	H	T	Capacitor cap (option)	W1	W2	H1	H2
M91ZA5S2LS	M0PC40M18	50.2 (1.98)	35 (1.38)	45.5 (1.79)	47 (1.85)	5 (0.20)	M0PC5835G	58 (2.28)	35 (1.38)	55 (2.17)	78 (3.07)
M91ZA5S2YS	M0PC10M40	50 (1.97)	34 (1.34)	45 (1.77)	45 (1.77)	6 (0.24)	M0PC5835G	58 (2.28)	35 (1.38)	55 (2.17)	78 (3.07)

* Please read your User's manual carefully so that you will understand the operation and safety precautions before attempting to operate the system.

2-pole round shaft motor (Induction motor)

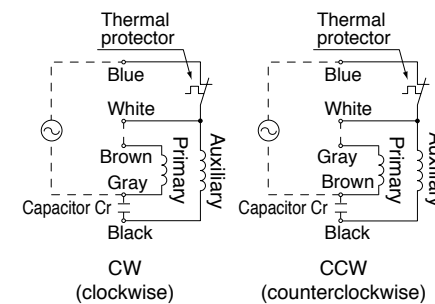
90 mm (3.54 inch) sq. 150 W

Specifications

Size	Motor model No.	Number of pole (P)	Output (W)	Voltage (V)	Frequency (Hz)	Rating (min)	Rating				Starting current (A)	Starting torque N·m (oz·in)	Capacitor (μF) (rated voltage)
							Input (W)	Current (A)	Speed (r/min)	Torque N·m (oz·in)			
90 mm sq.	M91ZA5S2LG M91ZA5S2LGA	2	150	100	50	Cont.	232	2.3	2625	0.55 (77.9)	5.4	0.50 (70.8)	40 (250 V)
							250	2.7	3200	0.45 (63.7)	5.2	0.50 (70.8)	
	M91ZA5S2DG M91ZA5S2DGA	2	150	110	60	Cont.	238	2.3	3275	0.44 (62.3)	5.6	0.53 (75.1)	35 (250 V)
							253	2.2	3300	0.43 (60.9)	5.8	0.53 (75.1)	
	M91ZA5S2YG M91ZA5S2YGA	2	150	200	50	Cont.	236	1.3	2525	0.57 (80.7)	2.3	0.50 (70.8)	10 (450 V)
							271	1.5	3075	0.47 (66.6)	2.2	0.50 (70.8)	
	M91ZA5S2GG M91ZA5S2GGA	2	150	220	60	Cont.	224	1.1	2625	0.55 (77.9)	2.4	0.47 (66.6)	8 (450 V)
							243	1.2	3200	0.45 (63.7)	2.3	0.47 (66.6)	
							237	1.1	2650	0.54 (76.5)	2.5	0.53 (75.1)	
							245	1.2	3250	0.44 (62.3)	2.4	0.53 (75.1)	

* The models with a motor model number to which "A" is suffixed are not equipped with a capacitor cap.
The models with a motor model number to which "A" is suffixed are not sold or available in Japan.

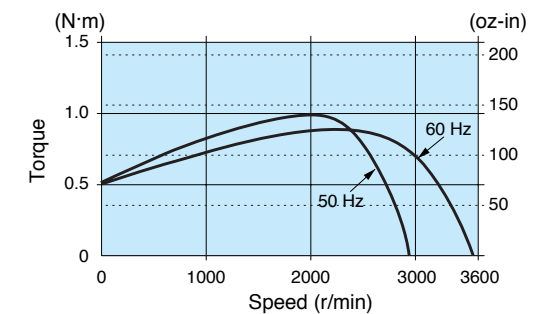
Connection diagram



(Refer to page A-58 for connection of thermal protector.)

Speed-torque characteristics

M91ZA5S2LG(A)

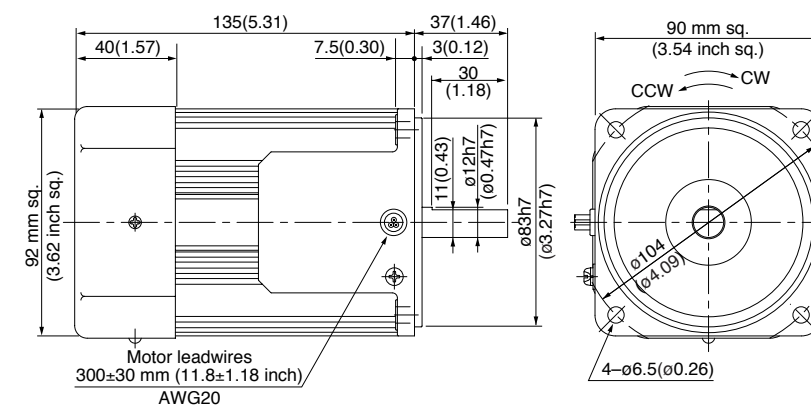


Motor (dimensions)

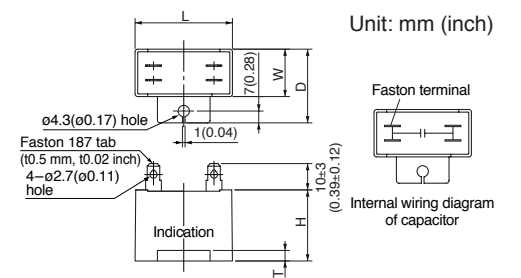
Scale: 1/3, Unit: mm (inch)

M91ZA5S2LG(A)	2P	150 W	100 V (with fan)
M91ZA5S2DG(A)	2P	150 W	110 V / 115 V (with fan)
M91ZA5S2YG(A)	2P	150 W	200 V (with fan)
M91ZA5S2GG(A)	2P	150 W	220 V / 230 V (with fan)

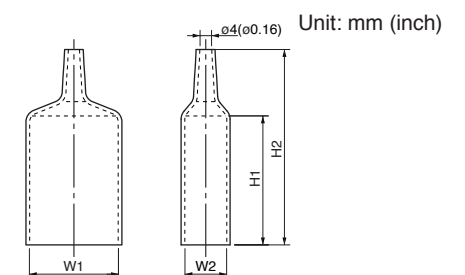
Mass
3.2 kg
7.05 lb



Capacitor (dimensions) [attachment]



Capacitor cap (dimensions) [attachment]



Capacitor dimension list Unit: upper (mm) / lower (inch)

Model number of motor	Model number of capacitor (attachment)	L	W	D	H	T	Capacitor cap (option)	W1	W2	H1	H2
M91ZA5S2LG(A)	M0PC40M25G	58 (2.28)	41 (1.61)	56 (2.20)	58 (2.28)	4 (0.16)	M0PC5841G	58 (2.28)	41 (1.61)	55 (2.17)	78 (3.07)
M91ZA5S2DG(A)	M0PC35M25G	58 (2.28)	41 (1.61)	56 (2.20)	58 (2.28)	4 (0.16)	M0PC5841G	58 (2.28)	41 (1.61)	55 (2.17)	78 (3.07)
M91ZA5S2YG(A)	M0PC10M45G	58 (2.28)	35 (1.38)	50 (1.97)	50 (1.97)	4 (0.16)	M0PC5835G	58 (2.28)	35 (1.38)	55 (2.17)	78 (3.07)
M91ZA5S2GG(A)	M0PC8M45G	58 (2.28)	35 (1.38)	50 (1.97)	50 (1.97)	4 (0.16)	M0PC5835G	58 (2.28)	35 (1.38)	55 (2.17)	78 (3.07)

* The models with a motor model number to which "A" is suffixed are not equipped with a capacitor cap.

(Note) Because the dimensions may be subject to change, also check the determinate dimensions if the gear head is to be used for design.

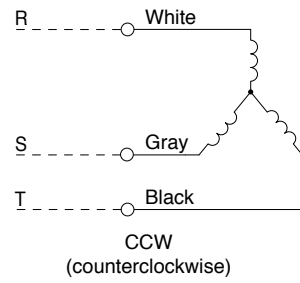
2-pole round shaft motor
(3-phase motor)

80 mm (3.15 inch) sq. 60 W

• Specifications

Size	Motor model No.	Number of pole (P)	Output (W)	Voltage (V)	Frequency (Hz)	Rating (min)	Rating				Starting current (A)	Starting torque N·m (oz-in)
							Input (W)	Current (A)	Speed (r/min)	Torque N·m (oz-in)		
80 mm sq.	M8MX60S2YS	2	60	200	50	Cont.	115	0.38	2325	0.24 (34.0)	0.85	0.38 (53.8)
					60		118	0.37	2750	0.20 (28.3)	0.81	0.30 (42.5)
				220	50	113	0.38	2525	0.22 (31.2)	0.92	0.44 (62.3)	
					60	105	0.33	3025	0.18 (25.5)	0.88	0.36 (51.0)	

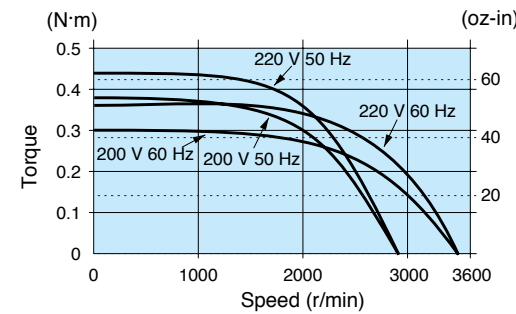
Connection diagram



Change any two lead wires of R, S and T for CW rotation.

Speed-torque characteristics

M8MX60S2YS

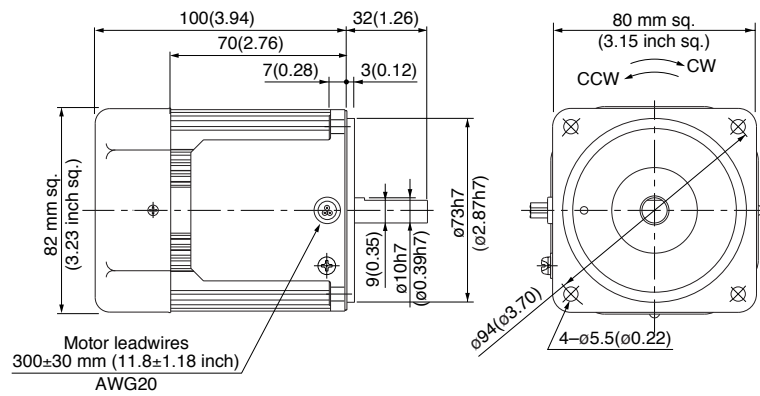


Motor (dimensions)

Scale: 1/3, Unit: mm (inch)

M8MX60S2YS 2P 60 W 200 V / 220 V (with fan)

Mass
1.8 kg
3.97 lb



2-pole round shaft motor
(3-phase motor)

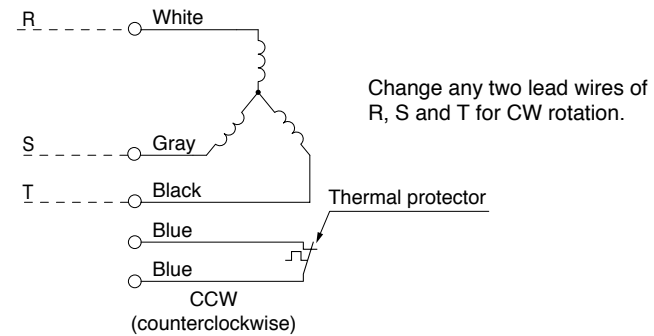
80 mm (3.15 inch) sq. 60 W

• Specifications

Size	Motor model No.	Number of pole (P)	Output (W)	Voltage (V)	Frequency (Hz)	Rating (min)	Rating				Starting current (A)	Starting torque N·m (oz-in)
							Input (W)	Current (A)	Speed (r/min)	Torque N·m (oz-in)		
80 mm sq.	M8MX60S2YG M8MX60S2YGA	2	60	200	50	Cont.	115	0.38	2325	0.24 (34.0)	0.85	0.38 (53.8)
					60		118	0.37	2750	0.20 (28.3)	0.81	0.30 (42.5)
				220	60	105	0.33	3025	0.18 (25.5)	0.88	0.36 (51.0)	
					230	105	0.33	3050	0.18 (25.5)	0.88	0.39 (55.2)	

* The models with a motor model number to which "A" is suffixed are not sold or available in Japan.

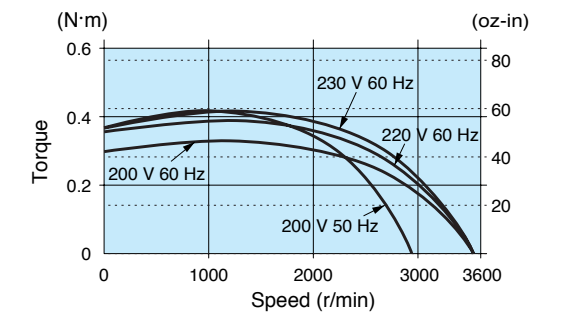
Connection diagram



Change any two lead wires of R, S and T for CW rotation.
(Refer to page A-58 for connection of thermal protector.)

Speed-torque characteristics

M8MX60S2YG(A)

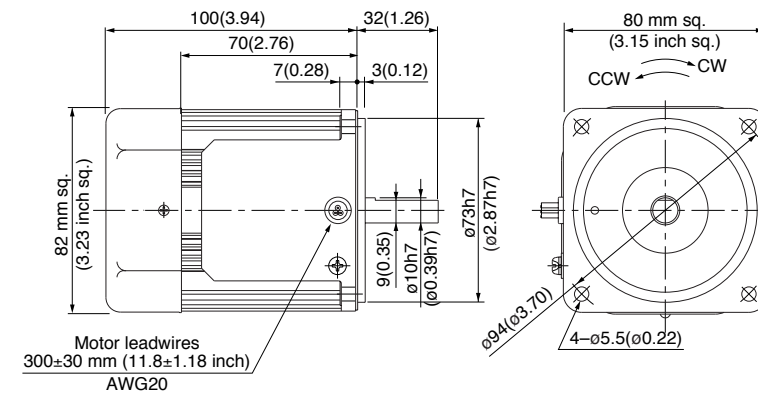


Motor (dimensions)

Scale: 1/3, Unit: mm (inch)

M8MX60S2YG(A) 2P 60 W 200 V / 220 V / 230 V (with fan)

Mass
1.8 kg
3.97 lb



* Please read your User's manual carefully so that you will understand the operation and safety precautions before attempting to operate the system.

(Note) Because the dimensions may be subject to change, also check the determinate dimensions if the gear head is to be used for design.

Induction motor
Reversible motor
3-phase motor
Electromagnetic brake motor
Variable speed induction motor
Variable speed reversible motor
Variable speed electromagnetic brake single-phase motor
Variable speed unit motor
C&B motor
2-pole round shaft motor
Gear head
Gear head - inch (U.S.A.)

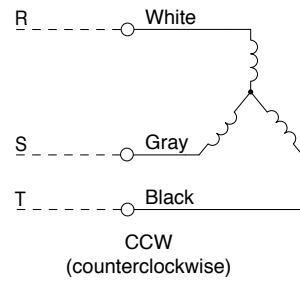
2-pole round shaft motor
(3-phase motor)

90 mm (3.54 inch) sq. 60 W

• Specifications

Size	Motor model No.	Number of pole (P)	Output (W)	Voltage (V)	Frequency (Hz)	Rating (min)	Rating				Starting current (A)	Starting torque N-m (oz-in)
							Input (W)	Current (A)	Speed (r/min)	Torque N-m (oz-in)		
90 mm sq.	M9MX60S2YS	2	60	200	50	Cont.	82	0.32	2825	0.20 (28.3)	1.9	0.96 (136)
					60		79	0.29	3400	0.16 (22.7)	1.7	0.69 (97.7)
				220	50	86	0.32	2875	0.20 (28.3)	2.1	1.1 (156)	
					60	81	0.29	3450	0.16 (22.7)	1.9	0.84 (119)	

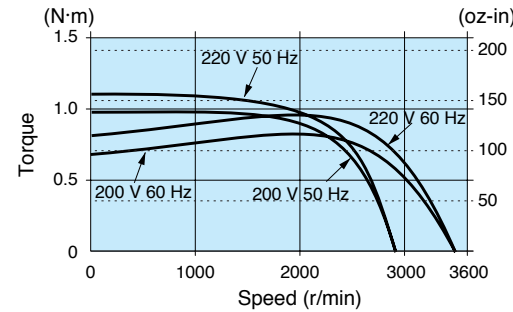
Connection diagram



Change any two lead wires of R, S and T for CW rotation.

Speed-torque characteristics

M9MX60S2YS

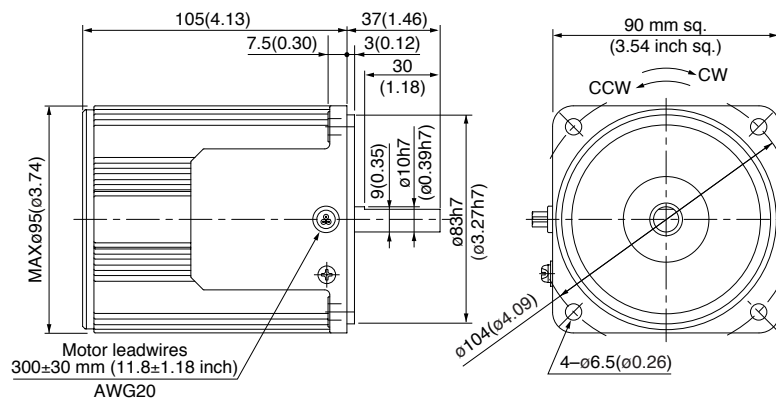


Motor (dimensions)

Scale: 1/3, Unit: mm (inch)

M9MX60S2YS 2P 60 W 200 V / 220 V (with fan)

Mass
2.4 kg
5.29 lb



2-pole round shaft motor
(3-phase motor)

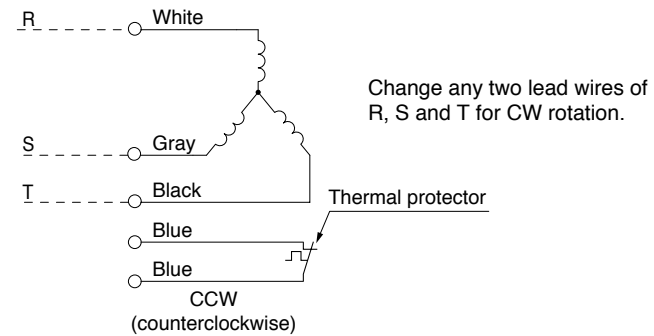
90 mm (3.54 inch) sq. 60 W

• Specifications

Size	Motor model No.	Number of pole (P)	Output (W)	Voltage (V)	Frequency (Hz)	Rating (min)	Rating				Starting current (A)	Starting torque N-m (oz-in)
							Input (W)	Current (A)	Speed (r/min)	Torque N-m (oz-in)		
90 mm sq.	M9MX60S2YG M9MX60S2YGA	2	60	200	50	Cont.	87	0.32	2825	0.20 (28.3)	1.9	0.96 (136)
					60		87	0.31	3400	0.17 (24.1)	1.7	0.69 (97.7)
				220	60	87	0.30	3450	0.17 (24.1)	1.9	0.84 (119)	
					230	60	87	0.30	3450	0.17 (24.1)	1.9	0.90 (127)

• The models with a motor model number to which "A" is suffixed are not sold or available in Japan.

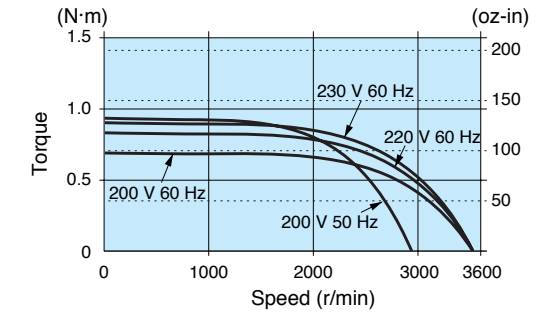
Connection diagram



(Refer to page A-58 for connection of thermal protector.)

Speed-torque characteristics

M9MX60S2YG(A)

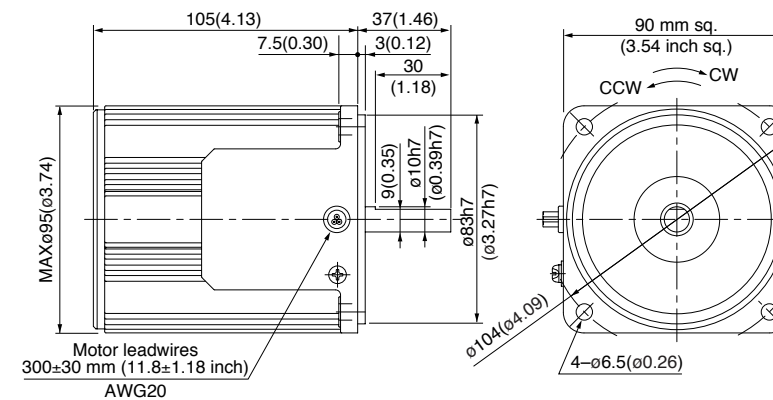


Motor (dimensions)

Scale: 1/3, Unit: mm (inch)

M9MX60S2YG(A) 2P 60W 200 V / 220 V / 230 V (with fan)

Mass
2.4 kg
5.29 lb



* Please read your User's manual carefully so that you will understand the operation and safety precautions before attempting to operate the system.

(Note) Because the dimensions may be subject to change, also check the determinate dimensions if the gear head is to be used for design.

Induction motor
Reversible motor
3-phase motor
Electromagnetic brake motor
Variable speed induction motor
Variable speed reversible motor
Variable speed electromagnetic brake single-phase motor
Variable speed unit motor
C&B motor
2-pole round shaft motor
Gear head
Gear head - inch (U.S.A.)

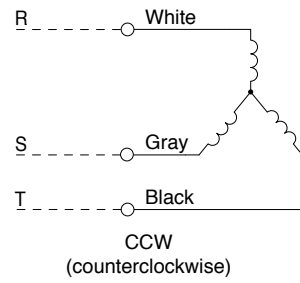
2-pole round shaft motor
(3-phase motor)

90 mm (3.54 inch) sq. 90 W

• Specifications

Size	Motor model No.	Number of pole (P)	Output (W)	Voltage (V)	Frequency (Hz)	Rating (min)	Rating				Starting current (A)	Starting torque N·m (oz-in)
							Input (W)	Current (A)	Speed (r/min)	Torque N·m (oz-in)		
90 mm sq.	M9MZ90S2YS	2	90	200	50	Cont.	144	0.71	2700	0.31 (43.9)	2.3	1.6 (227)
					60		134	0.53	3225	0.26 (36.8)	2.1	1.2 (170)
				220	50	167	0.96	2750	0.31 (43.9)	2.5	1.9 (269)	
					60	137	0.59	3300	0.25 (35.4)	2.3	1.4 (198)	

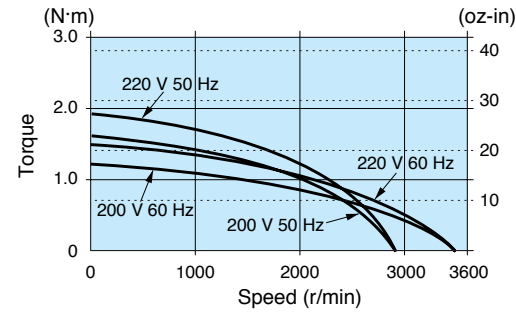
Connection diagram



Change any two lead wires of R, S and T for CW rotation.

Speed-torque characteristics

M9MZ90S2YS

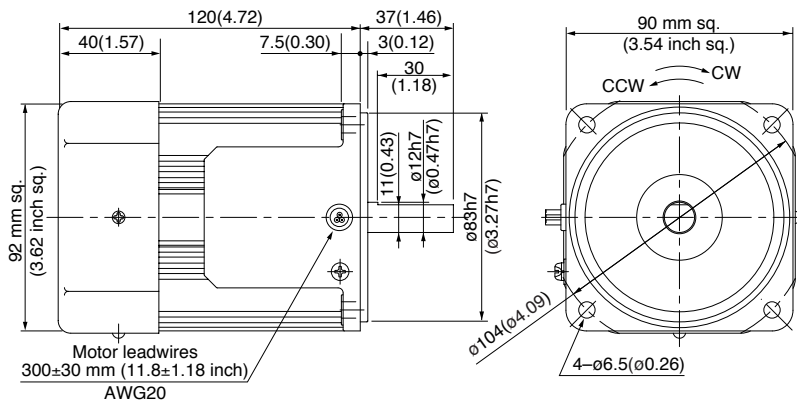


Motor (dimensions)

Scale: 1/3, Unit: mm (inch)

M9MZ90S2YS 2P 90 W 200 V / 220 V (with fan)

Mass
2.7 kg
5.95 lb



2-pole round shaft motor
(3-phase motor)

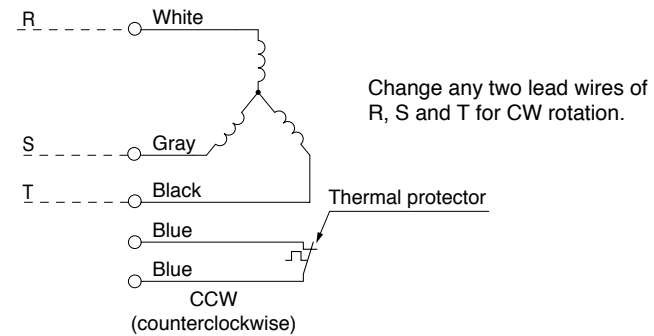
90 mm (3.54 inch) sq. 90 W

• Specifications

Size	Motor model No.	Number of pole (P)	Output (W)	Voltage (V)	Frequency (Hz)	Rating (min)	Rating				Starting current (A)	Starting torque N·m (oz-in)
							Input (W)	Current (A)	Speed (r/min)	Torque N·m (oz-in)		
90 mm sq.	M9MZ90S2YG M9MZ90S2YGA	2	90	200	50	Cont.	144	0.71	2700	0.32 (45.3)	2.3	1.6 (227)
					60		134	0.53	3225	0.27 (38.2)	2.1	1.2 (170)
				220	60	137	0.59	3300	0.26 (36.8)	2.3	1.4 (198)	
					230	142	0.65	3325	0.26 (36.8)	2.4	1.5 (212)	

* The models with a motor model number to which "A" is suffixed are not sold or available in Japan.

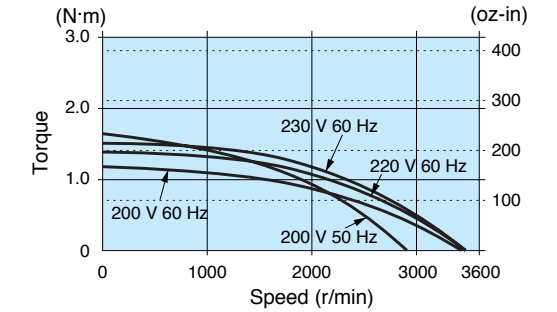
Connection diagram



Change any two lead wires of R, S and T for CW rotation.
(Refer to page A-58 for connection of thermal protector.)

Speed-torque characteristics

M9MZ90S2YG(A)

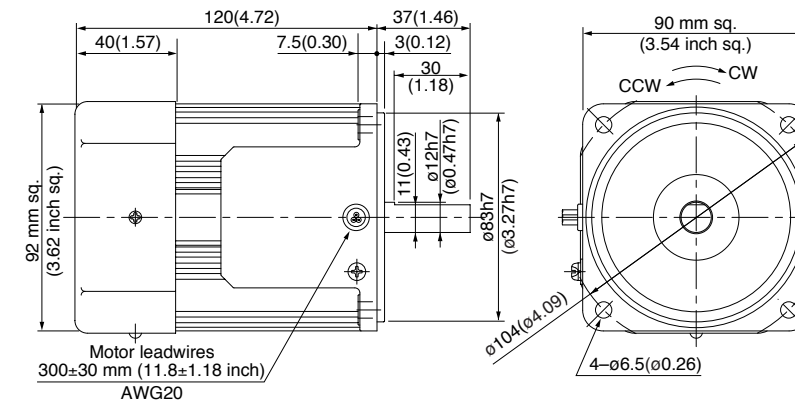


Motor (dimensions)

Scale: 1/3, Unit: mm (inch)

M9MZ90S2YG(A) 2P 90 W 200 V / 220 V / 230 V (with fan)

Mass
2.7 kg
5.95 lb



* Please read your User's manual carefully so that you will understand the operation and safety precautions before attempting to operate the system.

(Note) Because the dimensions may be subject to change, also check the determinate dimensions if the gear head is to be used for design.

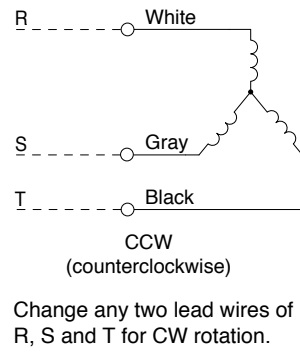
2-pole round shaft motor
(3-phase motor)

90 mm (3.54 inch) sq. 150 W

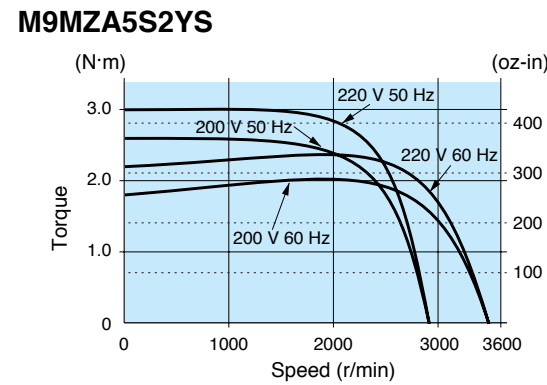
• Specifications

Size	Motor model No.	Number of pole (P)	Output (W)	Voltage (V)	Frequency (Hz)	Rating (min)	Rating				Starting current (A)	Starting torque N-m (oz-in)	
							Input (W)	Current (A)	Speed (r/min)	Torque N-m (oz-in)			
90 mm sq.	M9MZA5S2YS	2	150	200	50	Cont.	235	1.1	2850	0.51 (72.2)	5.2	2.6 (368)	
							227	0.81	3400	0.43 (60.9)	4.7	1.8 (255)	
							220	274	1.5	2875	0.50 (70.8)	5.4	3.0 (425)
								233	0.87	3450	0.43 (60.9)	4.8	2.2 (312)

Connection diagram



Speed-torque characteristics

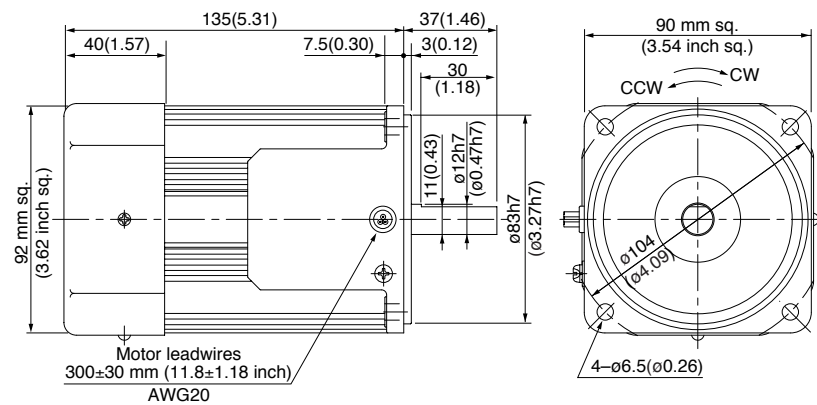


Motor (dimensions)

Scale: 1/3, Unit: mm (inch)

M9MZA5S2YS 2P 150 W 200 V / 220 V (with fan)

Mass
3.2 kg
7.05 lb



2-pole round shaft motor
(3-phase motor)

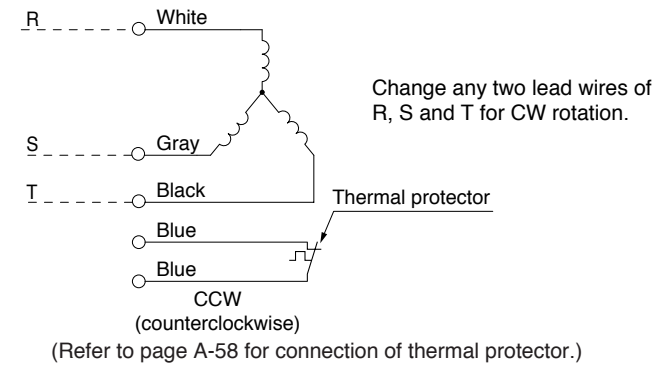
90 mm (3.54 inch) sq. 150 W

• Specifications

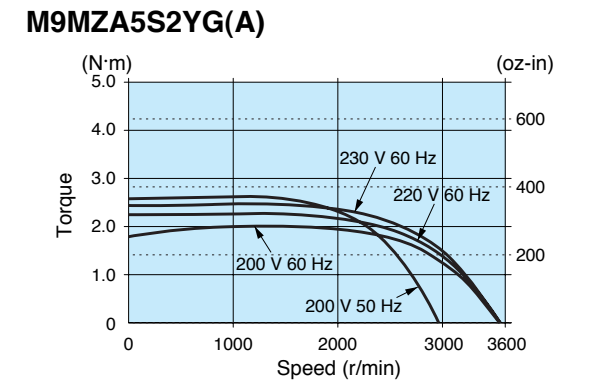
Size	Motor model No.	Number of pole (P)	Output (W)	Voltage (V)	Frequency (Hz)	Rating (min)	Rating				Starting current (A)	Starting torque N-m (oz-in)	
							Input (W)	Current (A)	Speed (r/min)	Torque N-m (oz-in)			
90 mm sq.	M9MZA5S2YG M9MZA5S2YGA	2	150	200	50	Cont.	236	1.3	2850	0.50 (70.8)	5.2	2.5 (354)	
							207	0.84	3425	0.42 (59.5)	4.7	1.8 (255)	
							218	0.99	3475	0.41 (58.1)	4.8	2.2 (312)	
							230	229	1.2	3475	0.41 (58.1)	4.8	2.3 (326)

• The models with a motor model number to which "A" is suffixed are not sold or available in Japan.

Connection diagram



Speed-torque characteristics

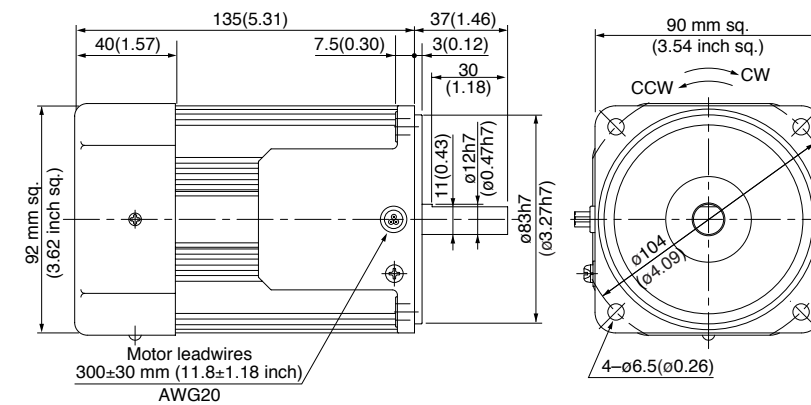


Motor (dimensions)

Scale: 1/3, Unit: mm (inch)

M9MZA5S2YG(A) 2P 150 W 200 V / 220 V / 230 V (with fan)

Mass
3.2 kg
7.05 lb

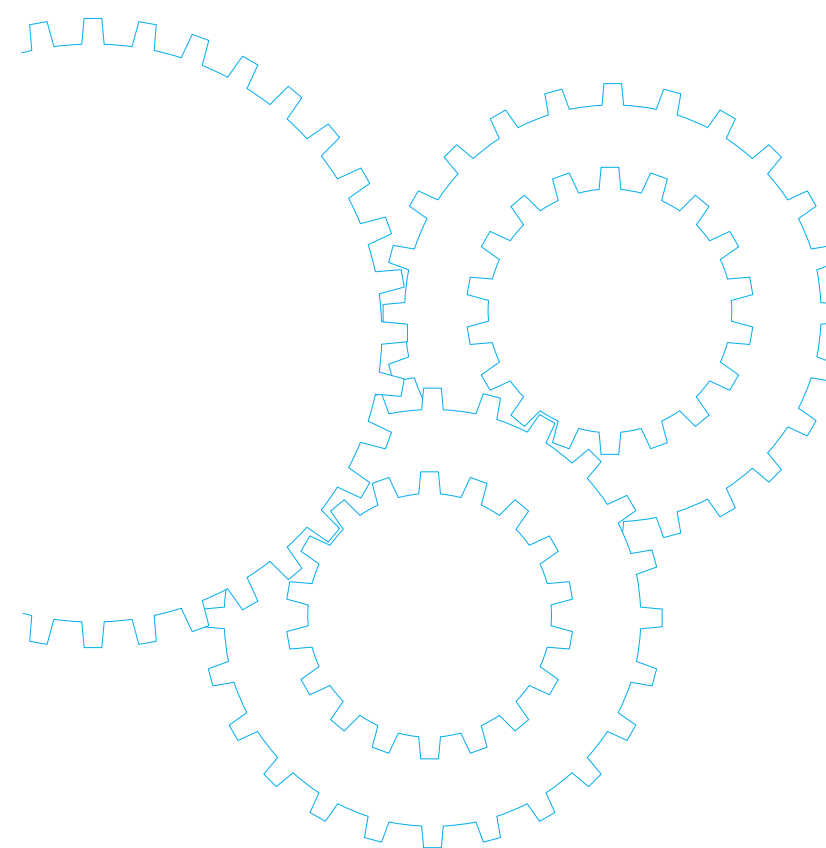


* Please read your User's manual carefully so that you will understand the operation and safety precautions before attempting to operate the system.

(Note) Because the dimensions may be subject to change, also check the determinate dimensions if the gear head is to be used for design.

Induction motor
Reversible motor
3-phase motor
Electromagnetic brake motor
Variable speed induction motor
Variable speed reversible motor
Variable speed electromagnetic brake single-phase motor
Variable speed unit motor
C&B motor
2-pole round shaft motor
Gear head
Gear head - inch (U.S.A.)

Gear Head



Contents

- Gear head Overview B-432
- Model list B-440
- High torque gear head B-444
- Right-angle gear head B-446
- Decimal gear head B-448

Outline of gear head

Features

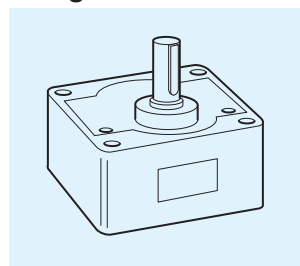
- Various types of gear heads are available.
- The X type is available in a metal bearing model and or a ball bearing type.
- The P type (90 mm sq. only) is high torque type: its maximum permissible shaft torque is 29.4 N·m (300 kgf·cm)
- 22 reduction ratios from 1/3 to 1/180 are available for the X type; 23 reduction ratios from 1/3 to 1/200 are available for the Y and Z types.
When the decimal gear head (reduction ratio: 1/10) is used, a reduction ratio of up to 1/1800 (1/2000 for the Y and Z types) can be attained.
- The X type and Z type of 90 mm sq. are available in right-angle type.
- Gear heads dedicated to C&B motors are available. The gear heads will withstand 2 million start and stop cycles.

For allowable gear head permissible torque, see C&B motor (p. B-348).

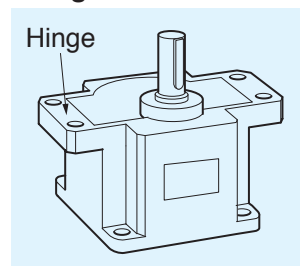
Gear type

- A : 3 W or smaller / Hinge not attached (42 mm sq.)
- X : 40 W or smaller / Hinge not attached
- Z : 60 W or larger / Hinge not attached
- Y : 60 W or larger / Hinge attached
- R : 60 W or larger, High torque type / Hinge not attached
- P : 60 W or larger, High torque type / Hinge attached

• Hinge not attached



• Hinge attached



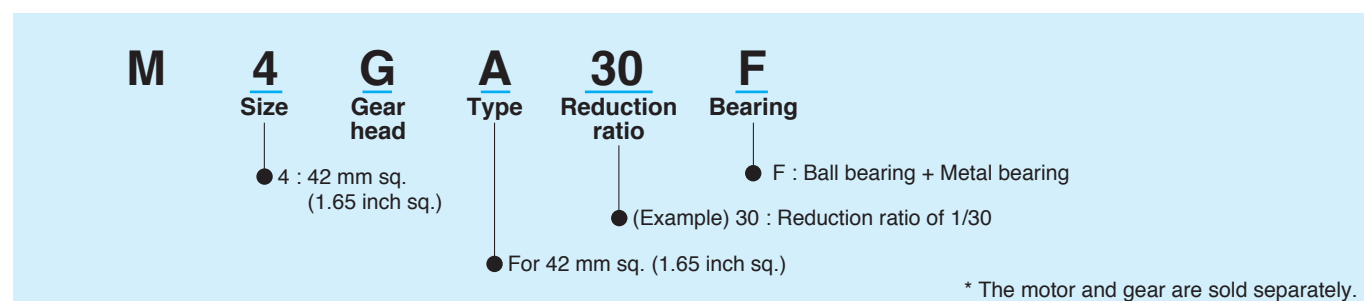
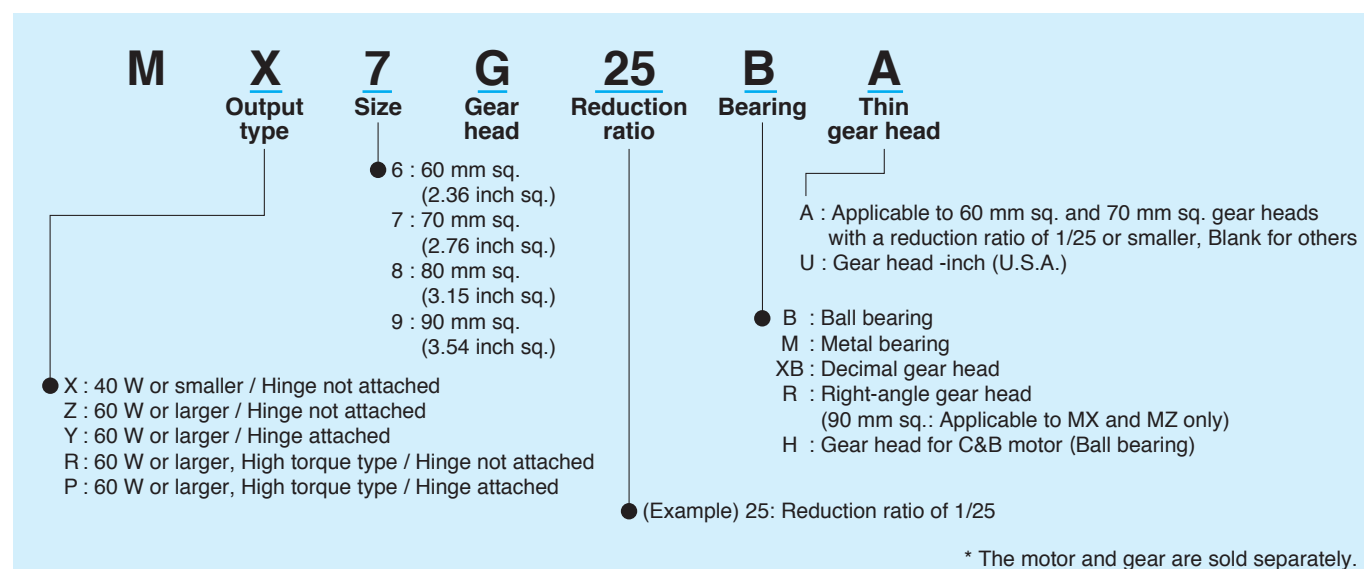
• Gear type and reduction ratio list

Gear type	Motor capacity	Hinge	Reduction ratio																						
			1/3	1/3.6	1/5	1/6	1/7.5	1/9	1/10	1/12.5	1/15	1/18	1/20	1/25	1/30	1/36	1/50	1/60	1/75	1/90	1/100	1/120	1/150	1/180	1/200
A	3 W or smaller	Not attached	○	○	○	○	○	○	○	○	○	○	○	○	○	○	○	○	○	○	○	○	○	○	○
X	40 W or smaller	Not attached	○	○	○	○	○	○	○	○	○	○	○	○	○	○	○	○	○	○	○	○	○	○	○
Y	60 W, 90 W	attached	○	○	○	○	○	○	○	○	○	○	○	○	○	○	○	○	○	○	○	○	○	○	○
Z		Not attached	○	○	○	○	○	○	○	○	○	○	○	○	○	○	○	○	○	○	○	○	○	○	○
P		attached	○	○	○	○	○	○	○	○	○	○	○	○	○	○	○	○	○	○	○	○	○	○	○
R		Not attached	○	○	○	○	○	○	○	○	○	○	○	○	○	○	○	○	○	○	○	○	○	○	○
Right-angle	X	40 W or smaller	○	○	○	○	○	○	○	○	○	○	○	○	○	○	○	○	○	○	○	○	○	○	○
	Z	60 W, 90 W	○	○	○	○	○	○	○	○	○	○	○	○	○	○	○	○	○	○	○	○	○	○	○
C&B	X	40 W or smaller	○	○	○	○	○	○	○	○	○	○	○	○	○	○	○	○	○	○	○	○	○	○	○
	Y	60 W or larger	○	○	○	○	○	○	○	○	○	○	○	○	○	○	○	○	○	○	○	○	○	○	○

• Gear type and reduction ratio list (decimal gear head used)

Gear type	Motor capacity	Hinge	Reduction ratio																					
			1/200	1/250	1/300	1/360	1/500	1/600	1/750	1/900	1/1000	1/1200	1/1500	1/1800	1/2000									
X	40 W or smaller	Not attached	○	○	○	○	○	○	○	○	○	○	○	○	○	○	○	○	○	○	○	○	○	○
Y, P	60 W, 90 W	attached	○	○	○	○	○	○	○	○	○	○	○	○	○	○	○	○	○	○	○	○	○	○
Z, R		Not attached	○	○	○	○	○	○	○	○	○	○	○	○	○	○	○	○	○	○	○	○	○	○
Right-angle	X	40 W or smaller	○	○	○	○	○	○	○	○	○	○	○	○	○	○	○	○	○	○	○	○	○	○
	Z	60 W, 90 W	○	○	○	○	○	○	○	○	○	○	○	○	○	○	○	○	○	○	○	○	○	○

Coding system



Calculation of torque at output shaft of gear head

• Standard gear head only

$$N_G = \frac{N_M}{i}$$

$$T_G = T_M \times i \times \eta$$

N_G : Speed of gear head (r/min)

N_M : Motor speed (r/min)

i : Reduction ratio of gear head

T_G : Output torque of gear head (N·m)

T_M : Motor torque (N·m)

η : Gear head efficiency

• With decimal gear head

$$N_G = \frac{N_M}{i \times i_D}$$

$$T_G = T_M \times i \times i_D \times \eta \times \eta_D$$

N_G : Speed of gear head (r/min)

N_M : Motor speed (r/min)

i : Reduction ratio of gear head

T_G : Output torque of gear head (N·m)

T_M : Motor torque (N·m)

η : Gear head efficiency

i_D : Reduction ratio of decimal gear head

η_D : Decimal gear head efficiency

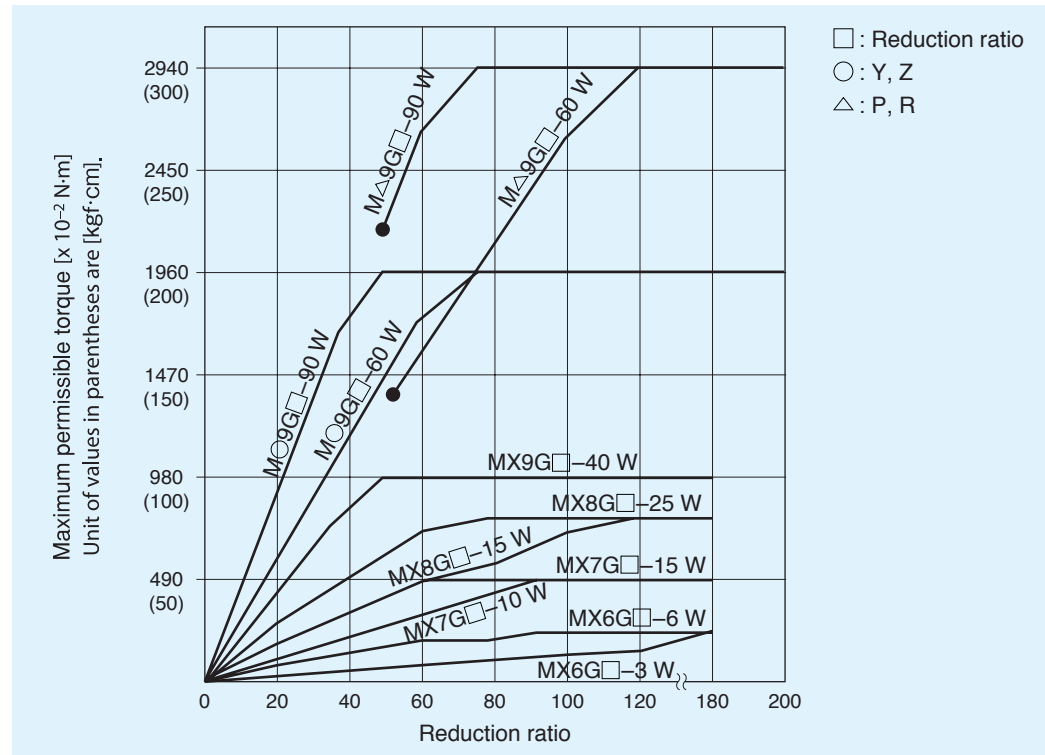
* In the case of the variable speed motor, regard the serviceability limit torque as the motor torque.

Outline of gear head

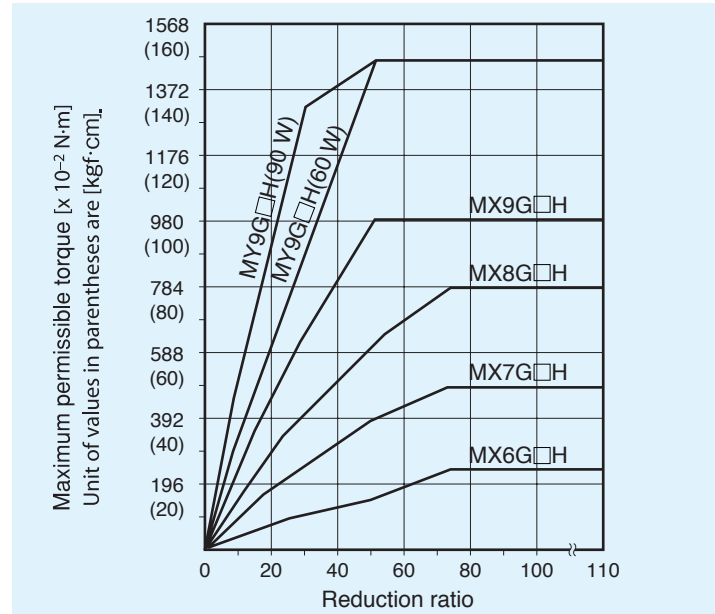
Maximum permissible torque

There is a limit to the strength of a gear due to its material and construction. The usable load torque determined based on this limit is called permissible torque. As can be seen from the above-mentioned formula, the load becomes larger when the reduction ratio is increased. If the gear head is used with the load exceeding the permissible torque, its life expectancy will be shortened significantly. Refer to the following graph and the permissible torque for each model and use the gear head at an appropriate load.

Maximum permissible torque



Maximum permissible torque (Gear head for C&B motor)



Nominal reduction ratio and actual reduction ratio

Note that there is a difference between the nominal reduction ratio and actual reduction ratio of each gear head. Refer to the table below. When using the gear head, calculate the speed based on the actual reduction ratio.

* Gear heads dedicated to C&B motors have the same nominal reduction ratio and actual reduction ratio. Example: nominal reduction ratio 1/3; actual reduction ratio 1/3

For practical use, calculate the speed based on the actual reduction ratio.

Gear head

Nominal reduction ratio	Actual reduction ratio									
	M4GA□	MX6G□	MX7G□	MX8G□	MX9G□	MZ9G□ MY9G□	MR9G□ MP9G□	Right-angle type MX9G□R	Right-angle type MZ9G□R	for C&B motor
1/3	1/3	1/2.96	1/2.99	1/3.01	1/2.98	1/3.02	—	1/3.05	1/3.00	1/3
1/3.6	1/3.6	1/3.59	1/3.64	1/3.60	1/3.59	1/3.61	—	1/3.65	1/3.62	1/3.6
1/5	1/5	1/5.04	1/4.95	1/4.98	1/5.00	1/5.03	—	1/5.06	1/4.97	1/5
1/6	1/6	1/6.01	1/6.08	1/5.96	1/6.00	1/6.02	—	1/5.93	1/6.00	1/6
1/7.5	1/7.5	1/7.49	1/7.48	1/7.48	1/7.54	1/7.58	—	1/7.50	1/7.57	1/7.5
1/9	1/9	1/9.07	1/8.98	1/9.00	1/9.07	1/9.06	—	1/9.09	1/9.14	1/9
1/10	—	1/9.91	1/10.1	1/9.99	1/9.90	1/10.2	—	—	—	1/10
1/12.5	1/12.5	1/12.7	1/12.6	1/12.5	1/12.5	1/12.3	—	1/12.5	1/12.6	1/12.5
1/15	1/15	1/15.1	1/14.9	1/14.9	1/14.9	1/14.8	—	1/15.2	1/15.2	1/15
1/18	1/18	1/18.0	1/18.0	1/18.1	1/18.0	1/18.0	—	1/17.8	1/17.8	1/18
1/20	—	1/19.8	1/19.8	1/20.1	1/20.0	1/19.9	—	—	—	1/20
1/25	1/25	1/25.0	1/25.3	1/25.1	1/25.3	1/25.5	—	1/25.0	1/25.3	1/25
1/30	1/30	1/29.7	1/30.2	1/30.3	1/30.4	1/30.1	—	1/30.2	1/30.4	1/30
1/36	1/36	1/36.4	1/36.4	1/36.4	1/36.5	1/36.1	—	1/36.3	1/36.2	1/36
1/50	1/50	1/50.4	1/49.8	1/49.8	1/50.2	1/50.9	1/50.9	1/49.4	1/49.6	1/50
1/60	1/60	1/59.6	1/59.9	1/61.2	1/61.3	1/60.5	1/60.5	1/60.5	1/59.8	1/60
1/75	1/75	1/75.8	1/75.4	1/76.2	1/74.6	1/76.0	1/76.0	1/74.1	1/75.6	1/75
1/90	1/90	1/90.1	1/90.8	1/90.5	1/88.3	1/89.8	1/89.8	1/90.7	1/90.0	1/90
1/100	1/100	1/98.9	1/100.7	1/98.0	1/97.8	1/98.6	1/98.6	1/100.0	1/101.2	1/100
1/120	1/120	1/119.3	1/119.2	1/122.5	1/120.0	1/121.2	1/121.2	1/121.2	1/121.9	1/120
1/150	1/150	1/148.9	1/147.6	1/148.9	1/146.5	1/150.4	1/150.4	1/154.6	1/151.1	1/150
1/180	1/180	1/179.3	1/180.0	1/183.5	1/177.0	1/182.1	1/182.1	1/182.2	1/182.2	1/180
1/200	—	—	—	—	—	1/202.1	1/202.1	—	1/202.4	1/200

Decimal gear head

Nominal reduction ratio	Actual reduction ratio				
	MX6G10XB	MX7G10XB	MX8G10XB	MX9G10XB	MZ9G10XB
1/10	1/10.04	1/9.93	1/9.94	1/10.0	1/9.97

Outline of gear head

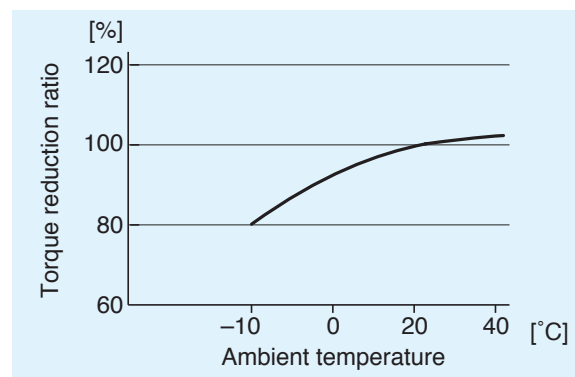
Gear head efficiency

Model No.	Reduction ratio																			Decimal gear head					
	3	3.6	5	6	7.5	9	10	12.5	15	18	20	25	30	36	50	60	75	90	100		120	150	180	200	
M4GA□F			72 %				—		61 %		—			52 %					41 %						—
MX6G□B MX7G□B MX8G□B MX9G□B						81 %												75 %						—	81 %
MZ9G□B MY9G□B			81 %								75 %								70 %						81 %
MR9G□B MP9G□B								—											70 %						81 %
MX6G□M MX7G□M MX8G□M MX9G□M						72 %												61 %						—	81 %
MX9G□R			60 %				—		60 %		—				60 %					45 %				—	81 %
MZ9G□R			60 %				—		60 %		—				60 %				54 %			45 %			81 %
for C&B motor MX6G□H MX7G□H MX8G□H MX9G□H						81 %											75 %					70 %		—	—
MY9G□H			81 %														70 %						65 %		—

* When the decimal gear head is used, the total efficiency is the product of gear head efficiency and decimal gear head efficiency.

Gear head efficiency and ambient temperature

Calculate the actual gear head efficiency by multiplying the above-shown gear head efficiency at room temperature by the torque reduction ratio shown below.



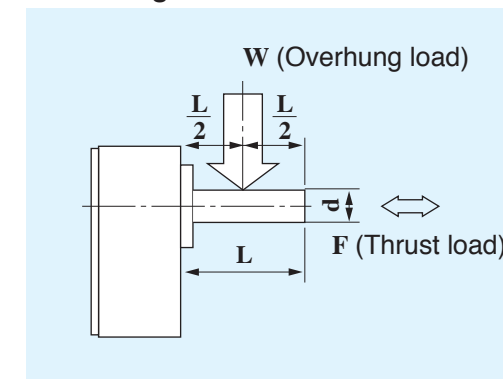
Overhung load and thrust load

The overhung load is defined as a load applied to the output shaft in the right-angle direction. This load is generated when the gear head is coupled to the machine using a chain, belt, etc., but not when the gear head is directly connected to the coupling. As shown in the figure below, the permissible value is determined based on the load applied to the L/2 position of the output shaft.

The thrust load is defined as a load applied to the output shaft in the axial direction.

Because the overhung load and thrust load significantly affect the life of the bearing, take care not to allow the load during operation to exceed the permissible overhung load and thrust load shown in the table below.

• Overhung load and thrust load



• Permissible load list

Size	Model	Permissible overhung load			Permissible thrust load		
		N	kgf	lb	N	kgf	lb
42 mm sq. (1.65 inch sq.)	M4GA□F	20	2	4.4	15	1.5	3.3
60 mm sq. (2.36 inch sq.)	MX6G□B(A)	98	10	22	29	3	6.6
	MX6G□M(A)	49	5	11			
70 mm sq. (2.76 inch sq.)	MX7G□B(A)	196	20	44	39	4	8.8
	MX7G□M(A)	98	10	22			
80 mm sq. (3.15 inch sq.)	MX8G□B	294	30	66	49	5	11
	MX8G□M	196	20	44			
90 mm sq. (3.54 inch sq.)	MX9G□B	392	40	88	98	10	22
	MX9G□M	294	30	66			
	MZ9G□B	588	60	132			
90 mm sq. (3.54 inch sq.) High torque type	MR9G□B	784	80	176	147	15	33
	MP9G□B						
90 mm sq. (3.54 inch sq.) Right-angle type	MX9G□R	392	40	88	98	10	22
	MZ9G□R	588	60	132			

Service factor

Life expectancy of motor varies depending on load fluctuation. To determine the life expectancy, a factor called service factor, as shown in the table below is used. First choose the appropriate service factor according to the type of load and multiply the result by the required power to determine the design power.

• Service factor

Type of load	Typical load	Service factor		
		5 hours/day	8 hours/day	24 hours/day
Constant	Belt conveyor, One-directional rotation	0.8	1.0	1.5
Light-impact	Start/Stop, Cam-drive	1.2	1.5	2.0
Medium-impact	Instant FWD/REV, Instant stop	1.5	2.0	2.5
Heavy-impact	Frequent medium-impact	2.5	3.0	3.5

The required allowable shaft torque T_A of the gear head can be determined based on the service factor and actual load torque T_1 :

$$T_A = T_1 \times S_f$$

T_A : Allowable torque of gear head (N·m)
 T_1 : Actual load torque (N·m)
 S_f : Service factor

Use the motor so that the allowable torque T_A calculated from the formula above falls within the allowable torque range.

* Though it seems that the motor can be operated even in overload when the service factor is 0.8, note that the service factor is defined for the allowable torque of the gear head. If the motor is operated in overload, the life of insulator may be shortened or the motor may be burned out due to an abnormal temperature rise.

Outline of gear head

Standard life expectancy

Standard life expectancy: Standard life expectancy when operated for 8 hours/day at the standard load (Service factor=1.0)

* The oil seal is excluded because it is a consumable.

• Calculation of life expectancy

Calculate the life expectancy while referring to the service factor table shown last page.

When the service factor is 2.0, for example, the life expectancy is calculated as follows:

Life expectancy = 10000 (h) / 2.0 = 5000 (h)

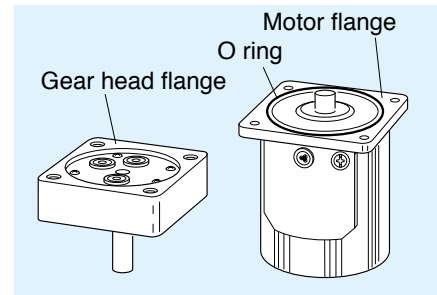
• Standard life expectancy

	Life (hours)
Ball bearing Decimal gear head	10000 hours*
Metal bearing Right-angle 42 mm sq.	2000 hours
for C&B motor	5000 hours

* 5000 hours when used on reversible motor

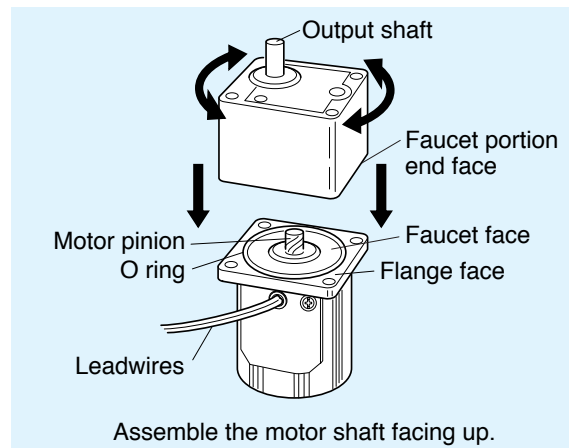
Preparation

- (1) Prepare a gear head that matches a motor described in this manual. Use of incompatible gear head will cause malfunction.
- (2) Check O-ring being correctly placed in a right place. If it is not, this may result in grease in the gear head coming out.
- (3) Wipe off any grease on the gear head flange surface.



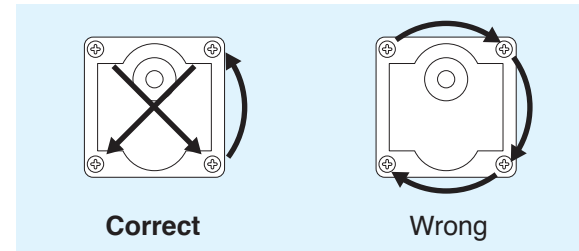
Assembling

- (1) Place the unit so that the motor shaft faces up. Direction of the motor lead and output shaft of gear head must match an application.
- (2) Do not contact a tooth tip of pinion shaft to a tooth tip of gear head. Set each toothes of motor and gear head correctly and gently press and turn the gear head in counter and counter-clockwise.
- (3) To attach the gear head to an application, use the "attaching screws" supplied with the gear head and tighten the screws with appropriate torque and with care not to pinch the O ring, so that the there is no gap between motor flange and gear flange.
- (4) The recommended torque is shown below.



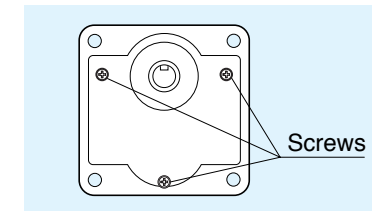
Size	Screw size	Tightening torque	
		N·m	lb-in
42 mm sq. (1.65 inch sq.)	M3	0.6 to 1	5.31 to 8.85
60 mm sq. (2.36 inch sq.)	M4	2 to 2.5	17.7 to 22.1
70 mm sq. (2.76 inch sq.)	M5	2.5 to 3	22.1 to 26.6
80 mm sq. (3.15 inch sq.)	M5	2.5 to 3	22.1 to 26.6
90 mm sq. (3.54 inch sq.)	M6	3.5 to 4.5	31.0 to 39.8

(5) Tighten the screws correctly.



<Note>

Do not forcibly assemble the motor and gear head. Do not damage the tooth of the motor pinion and gear head. Incorrect assembly results in abnormal noise generation or shortened unit life.



Considerations for installation of gear head

You may experience a slipping gear contact due to broken pinion tooth, locked gear or leaked grease as the gear head life comes closer.

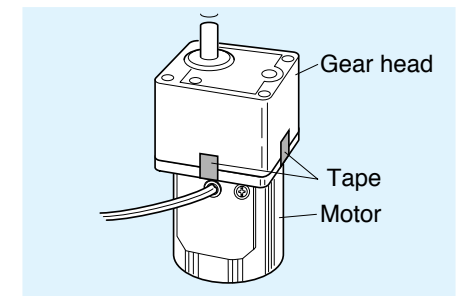
Place a safety device to keep safe operation at any time even if such problems take place.

- Place a drop-proof device in an vertically motioned application like a lifter.
- Place a device to open the door in a door application just in case the gear head is locked.
- Place an oil pan to prevent oil from coming out in an application like food/textile etc.
- Do not place an encoder, sensor, contact, etc near a gear head where the grease may leaking out. If not, please have a protection from grease.
- Have a routain check of the gear head to avoid unexpected accident.

<Precautions>

Keep the gear head attached to the motor. Otherwise, the O ring may become distorted or damaged, causing grease leakage.

- When reassembling, first replace the O ring with a new one.
- When installing a motor associated with the gear head to the application device, temporarily secure the motor and gear head with a tape until assembly completes.



Considerations for storage of gear head

When storing the gear head as a single unit, place it with the output shaft facing down. (To prevent grease leakage)

Model list of gear head

Gear head

• Ball bearing

Size	Reduction ratio	Model No.	Hinge	
60 mm sq. (2.36 inch sq.)	1/3, 1/3.6, 1/5, 1/6, 1/7.5, 1/9, 1/10, 1/12.5, 1/15, 1/18	MX6G3BA – MX6G18BA		
	1/20, 1/25, 1/30, 1/36	MX6G20BA – MX6G36B		
	1/50, 1/60, 1/75, 1/90, 1/100, 1/120, 1/150, 1/180	MX6G50B – MX6G180B		
70 mm sq. (2.76 inch sq.)	1/3, 1/3.6, 1/5, 1/6, 1/7.5, 1/9, 1/10, 1/12.5, 1/15, 1/18	MX7G3BA – MX7G18BA		
	1/20, 1/25, 1/30, 1/36	MX7G20BA – MX7G36B		
	1/50, 1/60, 1/75, 1/90, 1/100, 1/120, 1/150, 1/180	MX7G50B – MX7G180B		
80 mm sq. (3.15 inch sq.)	1/3, 1/3.6, 1/5, 1/6, 1/7.5, 1/9, 1/10, 1/12.5, 1/15, 1/18	MX8G3B – MX8G18B		
	1/20, 1/25, 1/30, 1/36	MX8G20B – MX8G36B		
	1/50, 1/60, 1/75, 1/90, 1/100, 1/120, 1/150, 1/180	MX8G50B – MX8G180B		
90 mm sq. (3.54 inch sq.)	40 W	1/3, 1/3.6, 1/5, 1/6, 1/7.5, 1/9, 1/10, 1/12.5, 1/15, 1/18	MX9G3B – MX9G18B	
		1/20, 1/25, 1/30, 1/36	MX9G20B – MX9G36B	
		1/50, 1/60, 1/75, 1/90, 1/100, 1/120, 1/150, 1/180	MX9G50B – MX9G180B	
	Common to 60 W, 90 W	1/3, 1/3.6, 1/5, 1/6, 1/7.5, 1/9	MZ9G3B – MZ9G9B	
		1/10, 1/12.5, 1/15, 1/18	MZ9G10B – MZ9G18B	
		1/20, 1/25, 1/30, 1/36, 1/50, 1/60	MZ9G20B – MZ9G60B	
		1/75, 1/90, 1/100, 1/120, 1/150, 1/180, 1/200	MZ9G75B – MZ9G200B	
		1/3, 1/3.6, 1/5, 1/6, 1/7.5, 1/9	MY9G3B – MY9G9B	○
		1/10, 1/12.5, 1/15, 1/18	MY9G10B – MY9G18B	○
		1/20, 1/25, 1/30, 1/36, 1/50, 1/60	MY9G20B – MY9G60B	○
		1/75, 1/90, 1/100, 1/120, 1/150, 1/180, 1/200	MY9G75B – MY9G200B	○

* For the specifications for each item, refer to the page of the motor to which it can be applied.

• Metal bearing

Size	Reduction ratio	Model No.	Hinge	
60 mm sq. (2.36 inch sq.)	1/3, 1/3.6, 1/5, 1/6, 1/7.5, 1/9, 1/10, 1/12.5, 1/15, 1/18	MX6G3MA – MX6G18MA		
	1/20, 1/25, 1/30, 1/36	MX6G20MA – MX6G36M		
	1/50, 1/60, 1/75, 1/90, 1/100, 1/120, 1/150, 1/180	MX6G50M – MX6G180M		
70 mm sq. (2.76 inch sq.)	1/3, 1/3.6, 1/5, 1/6, 1/7.5, 1/9, 1/10, 1/12.5, 1/15, 1/18	MX7G3MA – MX7G18MA		
	1/20, 1/25, 1/30, 1/36	MX7G20MA – MX7G36M		
	1/50, 1/60, 1/75, 1/90, 1/100, 1/120, 1/150, 1/180	MX7G50M – MX7G180M		
80 mm sq. (3.15 inch sq.)	1/3, 1/3.6, 1/5, 1/6, 1/7.5, 1/9, 1/10, 1/12.5, 1/15, 1/18	MX8G3M – MX8G18M		
	1/20, 1/25, 1/30, 1/36	MX8G20M – MX8G36M		
	1/50, 1/60, 1/75, 1/90, 1/100, 1/120, 1/150, 1/180	MX8G50M – MX8G180M		
90 mm sq. (3.54 inch sq.)	40 W	1/3, 1/3.6, 1/5, 1/6, 1/7.5, 1/9, 1/10, 1/12.5, 1/15, 1/18	MX9G3M – MX9G18M	
		1/20, 1/25, 1/30, 1/36	MX9G20M – MX9G36M	
		1/50, 1/60, 1/75, 1/90, 1/100, 1/120, 1/150, 1/180	MX9G50M – MX9G180M	

* For the specifications for each item, refer to the page of the motor to which it can be applied.

• Ball bearing and metal bearing

Size	Reduction ratio	Model No.	Hinge
42 mm sq. (1.65 inch sq.)	1/3, 1/3.6, 1/5, 1/6, 1/7.5, 1/9, 1/12.5, 1/15, 1/18	M4GA3F – M4GA18F	
	1/25, 1/30, 1/36, 1/50, 1/60	M4GA25F – M4GA60F	
	1/75, 1/90, 1/100, 1/120, 1/150, 1/180	M4GA75F – M4GA180F	

* For the specifications for each item, refer to the page of the motor to which it can be applied.

• High torque gear head

Size	Reduction ratio	Model No.	Hinge
90 mm sq. (3.54 inch sq.)	1/50, 1/60	MR9G50B – MR9G60B	
	1/75, 1/90, 1/100, 1/120, 1/150, 1/180, 1/200	MR9G75B – MR9G200B	
	1/50, 1/60	MP9G50B – MP9G60B	○
	1/75, 1/90, 1/100, 1/120, 1/150, 1/180, 1/200	MP9G75B – MP9G200B	○

• Right-angle gear head

Size	Reduction ratio	Model No.	Hinge	
90 mm sq. (3.54 inch sq.)	40 W	1/3, 1/3.6, 1/5, 1/6, 1/7.5, 1/9, 1/12.5, 1/15, 1/18	MX9G3R – MX9G18R	
		1/25, 1/30, 1/36,	MX9G25R – MX9G36R	
		1/50, 1/60, 1/75, 1/90, 1/100, 1/120, 1/150, 1/180	MX9G50R – MX9G180R	
	Common to 60 W, 90 W	1/3, 1/3.6, 1/5, 1/6, 1/7.5, 1/9, 1/12.5, 1/15, 1/18, 1/25	MZ9G3R – MZ9G25R	
		1/30, 1/36, 1/50, 1/60,	MZ9G30R – MZ9G60R	
		1/75, 1/90, 1/100, 1/120, 1/150, 1/180, 1/200	MZ9G75R – MZ9G200R	

• Gear head for C&B motor (Ball bearing)

* The details refer to B-342.

Size	Reduction ratio	Model No.	Hinge	
60 mm sq. (2.36 inch sq.)	1/3, 1/3.6, 1/5, 1/6, 1/7.5, 1/9, 1/10, 1/12.5, 1/15, 1/18	MX6G3H – MX6G18H		
	1/20, 1/25, 1/30, 1/36	MX6G20H – MX6G36H		
	1/50, 1/60, 1/75, 1/90, 1/100, 1/120, 1/150, 1/180	MX6G50H – MX6G180H		
70 mm sq. (2.76 inch sq.)	1/3, 1/3.6, 1/5, 1/6, 1/7.5, 1/9, 1/10, 1/12.5, 1/15, 1/18	MX7G3H – MX7G18H		
	1/20, 1/25, 1/30, 1/36	MX7G20H – MX7G36H		
	1/50, 1/60, 1/75, 1/90, 1/100, 1/120, 1/150, 1/180	MX7G50H – MX7G180H		
80 mm sq. (3.15 inch sq.)	1/3, 1/3.6, 1/5, 1/6, 1/7.5, 1/9, 1/10, 1/12.5, 1/15, 1/18	MX8G3H – MX8G18H		
	1/20, 1/25, 1/30, 1/36	MX8G20H – MX8G36H		
	1/50, 1/60, 1/75, 1/90, 1/100, 1/120, 1/150, 1/180,	MX8G50H – MX8G180H		
90 mm sq. (3.54 inch sq.)	40 W	1/3, 1/3.6, 1/5, 1/6, 1/7.5, 1/9, 1/10, 1/12.5, 1/15, 1/18	MX9G3H – MX9G18H	
		1/20, 1/25, 1/30, 1/36	MX9G20H – MX9G36H	
		1/50, 1/60, 1/75, 1/90, 1/100, 1/120, 1/150, 1/180	MX9G50H – MX9G180H	
	Common to 60 W, 90 W	1/3, 1/3.6, 1/5, 1/6, 1/7.5, 1/9	MY9G3H – MY9G9H	○
		1/10, 1/12.5, 1/15, 1/18, 1/20, 1/25, 1/30, 1/36, 1/50, 1/60	MY9G10H – MY9G60H	○
		1/75, 1/90, 1/100, 1/120, 1/150, 1/180, 1/200	MY9G70H – MY9G200H	○

* For the specifications for each item, refer to the page of the motor to which it can be applied.

Model list of gear head

Gear head accessory

• Ball bearing / Metal bearing / Ball bearing and metal bearing

Size	Reduction ratio	Model No.	Accessory				Unit: mm (inch)
			Screw	Flat washer	Hexagon nut	Key	
42 mm sq. (1.65 inch sq.)	1/3 to 1/180	M4GA3F – M4GA180F	M3P0.5 x 38 (1.50) pan head screw: 2	For M3P0.5: 2	M3P0.5: 2	—	
60 mm sq. (2.36 inch sq.)	1/3 to 1/25	MX6G3BA – MX6G25BA	M4P0.7 x 40 (1.57) pan head screw: 4	For M4P0.7: 4	M4P0.7: 4	—	
	1/30 to 1/180	MX6G30B – MX6G180B	M4P0.7 x 50 (1.97) pan head screw: 4	For M4P0.7: 4	M4P0.7: 4	—	
70 mm sq. (2.76 inch sq.)	1/3 to 1/25	MX7G3BA – MX7G25BA	M5P0.8 x 50 (1.97) pan head screw: 4	For M5P0.8: 4	M5P0.8: 4	4 x 4 x 25 (0.16 x 0.16 x 0.98) one-end round: 1	
	1/30 to 1/180	MX7G30B – MX7G180B	M5P0.8 x 55 (2.17) pan head screw: 4	For M5P0.8: 4	M5P0.8: 4	4 x 4 x 25 (0.16 x 0.16 x 0.98) one-end round: 1	
80 mm sq. (3.15 inch sq.)	1/3 to 1/180	MX8G3B – MX8G180B	M5P0.8 x 55 (2.17) pan head screw: 4	For M5P0.8: 4	M5P0.8: 4	4 x 4 x 25 (0.16 x 0.16 x 0.98) one-end round: 1	
90 mm sq. (3.54 inch sq.)	40 W Common to 60 W, 90 W	1/3 to 1/180	M6P1.0 x 65 (2.56) pan head screw: 4	For M6P1.0: 4	M6P1.0: 4	4 x 4 x 25 (0.16 x 0.16 x 0.98) one-end round: 1	
		1/3 to 1/200	MZ9G3B – MZ9G200B	M6P1.0 x 85 (3.35) hexagon socket head bolt: 4	For M6P1.0: 4	M6P1.0: 4	5 x 5 x 25 (0.20 x 0.20 x 0.98) one-end round: 1
		1/3 to 1/200	MY9G3B – MY9G200B	M6P1.0 x 25 (0.98) hexagon socket head bolt: 4	For M6P1.0: 4	M6P1.0: 4	5 x 5 x 25 (0.20 x 0.20 x 0.98) one-end round: 1

• High torque gear head

Size	Reduction ratio	Model No.	Accessory				Unit: mm (inch)
			Screw	Flat washer	Hexagon nut	Key	
90 mm sq. (3.54 inch sq.)	1/50 to 1/200	MR9G50B – MR9G200B	M6P1.0 x 20 (0.79) hexagon socket head bolt: 4	For M6P1.0: 4	—	6 x 6 x 30 (0.24 x 0.24 x 1.18) one-end round: 1	
	1/50 to 1/200	MP9G50B – MP9G200B	M6P1.0 x 25 (0.98) hexagon socket head bolt: 4	For M6P1.0: 4	M6P1.0: 4	6 x 6 x 30 (0.24 x 0.24 x 1.18) one-end round: 1	

• Right-angle gear head

Size	Reduction ratio	Model No.	Accessory				Unit: mm (inch)
			Screw	Flat washer	Hexagon nut	Key	
90 mm sq. (3.54 inch sq.)	40 W Common to 60 W, 90 W	1/3 to 1/180	MX9G3R – MX9G180R	M6P1.0 x 20 (0.79) hexagon socket head bolt: 4	For M6P1.0: 4	—	4 x 4 x 25 (0.16 x 0.16 x 0.98) one-end round: 1
		1/3 to 1/200	MZ9G3R – MZ9G200R	M6P1.0 x 20 (0.79) hexagon socket head bolt: 4	For M6P1.0: 4	—	5 x 5 x 25 (0.20 x 0.20 x 0.98) one-end round: 1

• Gear head for C&B motor

Size	Reduction ratio	Model No.	Accessory			Unit: mm (inch)
			Screw	Flat washer	Key	
60 mm sq. (2.36 inch sq.)	1/3 to 1/18	MX6G3H – MX6G18H	M4P0.7 x 40 (1.57) pan head screw: 4	For M4P0.7: 4	—	
	1/25 to 1/180	MX6G20H – MX6G180H	M4P0.7 x 50 (1.97) pan head screw: 4	For M4P0.7: 4	—	
70 mm sq. (2.76 inch sq.)	1/3 to 1/18	MX7G3H – MX7G18H	M5P0.8 x 55 (2.17) pan head screw: 4	For M5P0.8: 4	4 x 4 x 25 (0.16 x 0.16 x 0.98) one-end round: 1	
	1/25 to 1/180	MX7G20H – MX7G180H	M5P0.8 x 65 (2.56) pan head screw: 4	For M5P0.8: 4	4 x 4 x 25 (0.16 x 0.16 x 0.98) one-end round: 1	
80 mm sq. (3.15 inch sq.)	1/3 to 1/18	MX8G3H – MX8G18H	M5P0.8 x 55 (2.17) pan head screw: 4	For M5P0.8: 4	4 x 4 x 25 (0.16 x 0.16 x 0.98) one-end round: 1	
	1/25 to 1/180	MX8G20H – MX8G180H	M5P0.8 x 65 (2.56) pan head screw: 4	For M5P0.8: 4	4 x 4 x 25 (0.16 x 0.16 x 0.98) one-end round: 1	
90 mm sq. (3.54 inch sq.)	1/3 to 1/18	MX9G3H – MX9G18H	M6P1.0 x 70 (2.76) pan head screw: 4	For M6P1.0: 4	4 x 4 x 25 (0.16 x 0.16 x 0.98) one-end round: 1	
	1/25 to 1/180	MX9G20H – MX9G180H	M6P1.0 x 85 (3.35) pan head screw: 4	For M6P1.0: 4	4 x 4 x 25 (0.16 x 0.16 x 0.98) one-end round: 1	
	1/3 to 1/200	MY9G3H – MY9G200H	M6P1.0 x 25 (0.98) hexagon socket head bolt: 4	For M6P1.0: 4	5 x 5 x 25 (0.20 x 0.20 x 0.98) one-end round: 1	

* Though a hexagon nut is supplied with the accessories, it is not necessary in mounting the gear head.

Decimal gear head (Cannot be used for C&B motor)

Size	Reduction ratio	Model No.	Applicable gear head	Page	
60 mm sq. (2.36 inch sq.)	1/10	MX6G10XB	MX6G□BA MX6G□B	B-448	
70 mm sq. (2.76 inch sq.)	1/10	MX7G10XB	MX7G□BA MX7G□B	B-448	
80 mm sq. (3.15 inch sq.)	1/10	MX8G10XB	MX8G□B	B-448	
90 mm sq. (3.54 inch sq.)	40 W Common to 60 W, 90 W	1/10	MX9G10XB	MX9G□B	B-448
		1/10	MZ9G10XB	MZ9G□B MY9G□B MR9G□B MP9G□B	B-448

• Decimal gear head fixing screw (option: page D-2)

Size	Reduction ratio	Applicable gear head	Gear fixing screw Model No.	Specification [Unit: mm(inch)]	
60 mm sq. (2.36 inch sq.)	MX6G10XB	MX6G□BA	M0PM4001	Cross recessed pan head screw M4 pitch 0.7, length 85(3.35)	
		MX6G□B			
		MX6G□MA MX6G□M			
70 mm sq. (2.76 inch sq.)	MX7G10XB	MX7G□BA	M0PM5001	Cross recessed pan head screw M5 pitch 0.8, length 95(3.74)	
		MX7G□B			
		MX7G□MA MX7G□M			
80 mm sq. (3.15 inch sq.)	MX8G10XB	MX8G□B MX8G□M	M0PM5002	Cross recessed pan head screw M5 pitch 0.8, length 85(3.35)	
90 mm sq. (3.54 inch sq.)	40 W Common to 60 W, 90 W	MX9G10XB	MX9G□B MX9G□M	M0PM6003	Cross recessed pan head screw M6 pitch 1.0, length 100(3.94)
		MZ9G10XB	MZ9G□B	M0PM6004	Cross-recessed hex head bolt M6 pitch 1.0, length 125(4.92)
			MY9G□B MR9G□B MP9G□B	M0PM6002	Cross recessed pan head screw M6 pitch 1.0, length 65(2.56)

• Type of decimal gear head

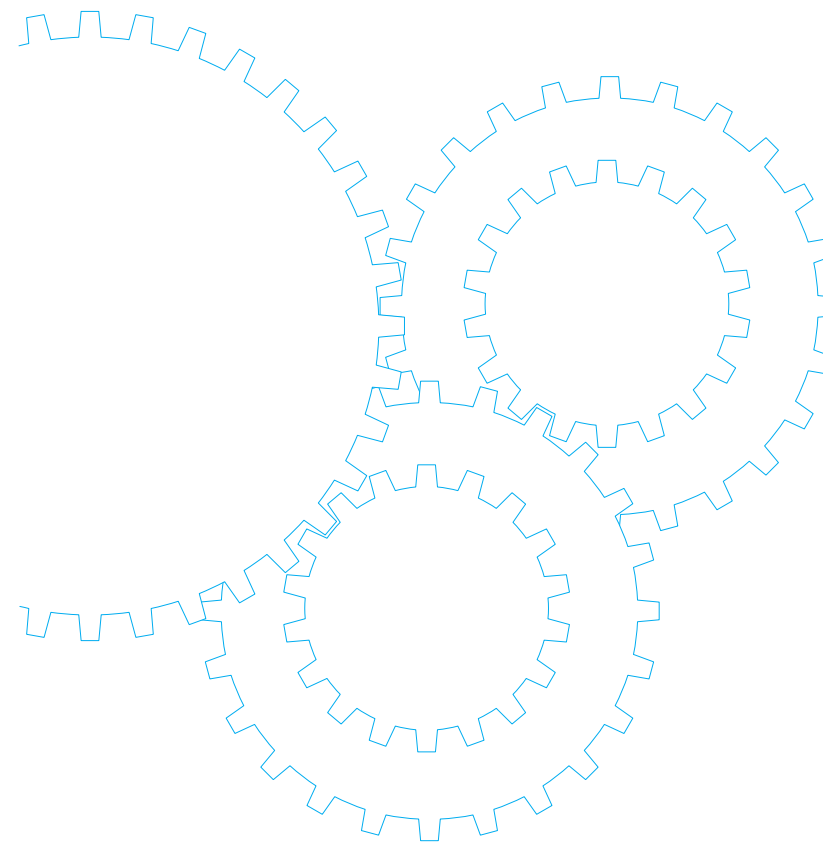
* The decimal gear head fixing screw is sold separately. * Shown in □ is a gear ratio.

Model No.	Dimensions	Scale: 1/4, Unit: mm (inch)	Applicable gear head	Gear fixing screw (option)
MX6G10XB		Mass 0.23 kg 0.51 lb	MX6G□BA MX6G□B MX6G□MA MX6G□M	M0PM4001 • M4P0.7 x 85(3.35) • Cross recessed pan head screw
MX7G10XB		Mass 0.35 kg 0.77 lb	MX7G□BA MX7G□B MX7G□MA MX7G□M	M0PM5001 • M5P0.8 x 95(3.74) • Cross recessed pan head screw
MX8G10XB		Mass 0.39 kg 0.86 lb	MX8G□B MX8G□M	M0PM5002 • M5P0.8 x 85(3.35) • Cross recessed pan head screw
MX9G10XB		Mass 0.53 kg 1.17 lb	MX9G□B MX9G□M	M0PM6003 • M6P1.0 x 100(3.94) • Cross recessed pan head screw
MZ9G10XB		Mass 0.65 kg 1.43 lb	MZ9G□B	M0PM6004 • M6P1.0 x 125(4.92) • Hexagon socket head bolt
			MY9G□B MP9G□B MR9G□B	M0PM6002 • M6P1.0 x 65(2.56) • Hexagon socket head bolt

* Fit tolerance symbol is used in the outside dimension diagram of motor and gear head.
For further information, see "Fit tolerance" on page A-33.

* Please read your User's manual carefully so that you will understand the operation and safety precautions before attempting to operate the system.

Gear Head -Inch (U.S.A.)



Contents

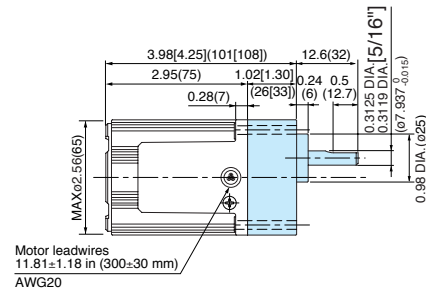
• Gear head Overview	B-450
• Gear head dimensions	B-451
• Gear head combination dimensions	B-452

Gear head combination dimensions

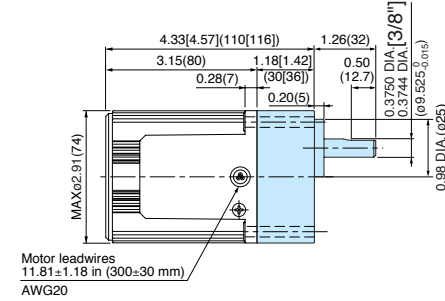
Scale: 1/4, Unit: inch (mm)

Induction/ Reversible/ 3-phase motor (leadwire)

60 mm sq. (2.36 inch sq.) 6 W



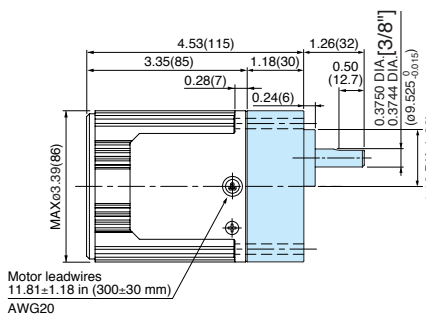
70 mm sq. (2.76 inch sq.) 15 W



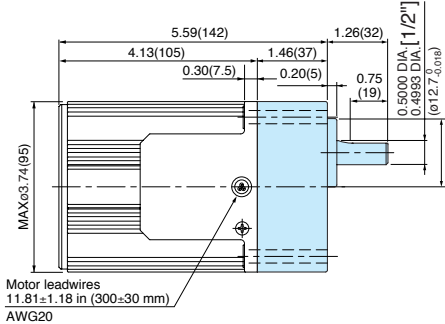
Note: The value in "[]" is for gear ratio of 1/30 or larger.

Note: The value in "[]" is for gear ratio of 1/30 or larger.

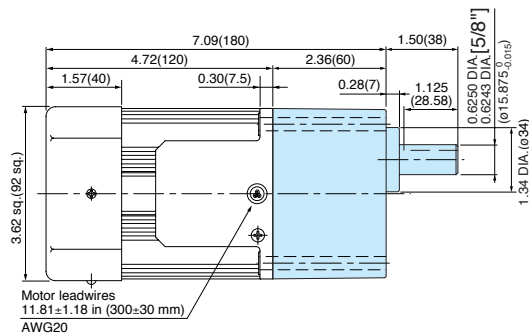
80 mm sq. (3.15 inch sq.) 25 W



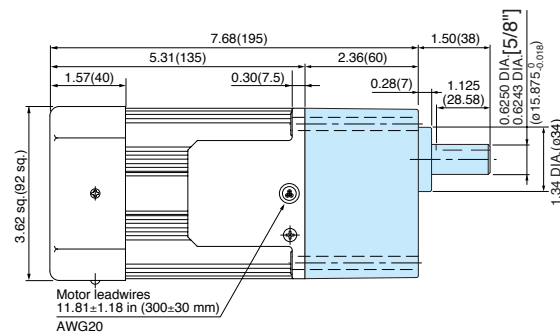
90 mm sq. (3.54 inch sq.) 40 W



90 mm sq. (3.54 inch sq.) 60 W



90 mm sq. (3.54 inch sq.) 90 W

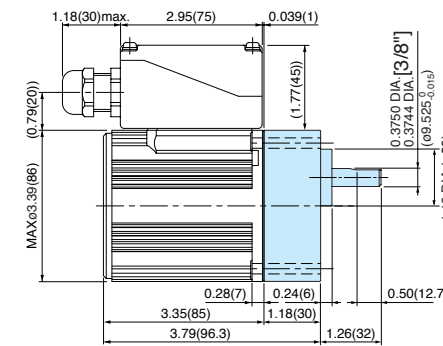


* Three-phase motor of 60 mm or 70 mm sq. is not available.

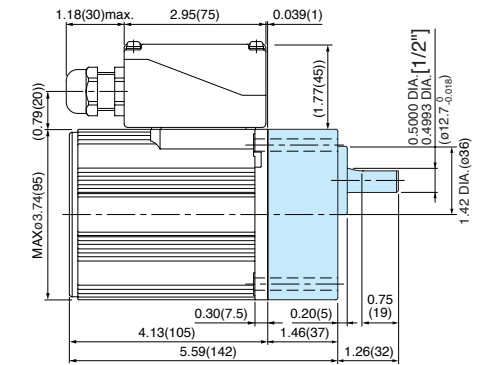
* Please read your User's manual carefully so that you will understand the operation and safety precautions before attempting to operate the system.

Induction/ Reversible/ 3-phase motor (sealed connector)

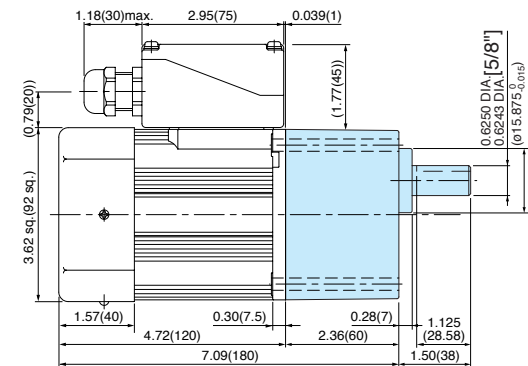
80 mm sq. (3.15 inch sq.) 25 W



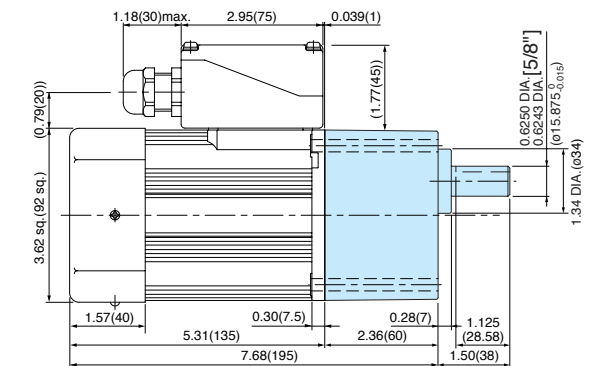
90 mm sq. (3.54 inch sq.) 40 W



90 mm sq. (3.54 inch sq.) 60 W



90 mm sq. (3.54 inch sq.) 90 W

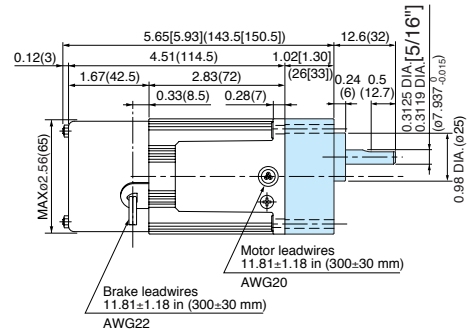


(Note) Because the dimensions may be subject to change, also check the determinate dimensions if the gear head is to be used for design.

Induction motor
Reversible motor
3-phase motor
Electromagnetic brake motor
Variable speed induction motor
Variable speed reversible motor
Variable speed electromagnetic single-phase motor
Variable speed unit motor
C&B motor
2-pole round shaft motor
Gear head
Gear head - inch (U.S.A.)

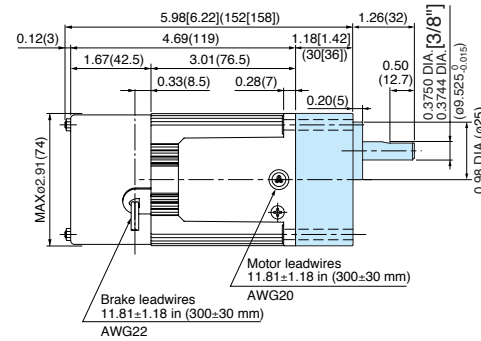
Electromagnetic brake motor (leadwire)

60 mm sq. (2.36 inch sq.) 6 W



Note: The value in "[]" is for gear ratio of 1/30 or larger.

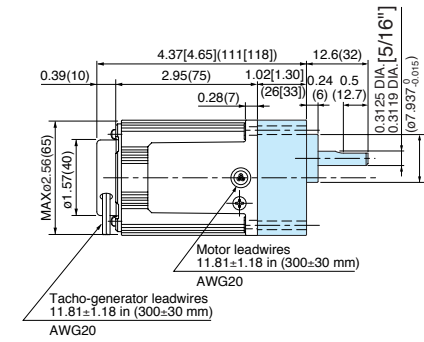
70 mm sq. (2.76 inch sq.) 15 W



Note: The value in "[]" is for gear ratio of 1/30 or larger.

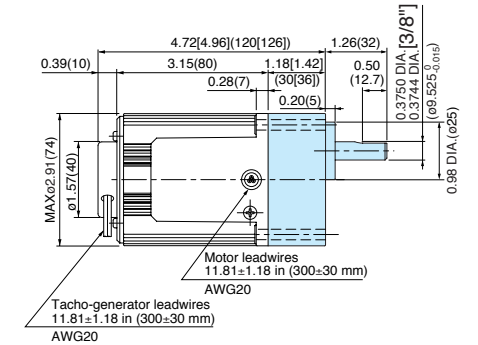
Variable speed induction/ reversible motor (leadwire)

60 mm sq. (2.36 inch sq.) 6 W



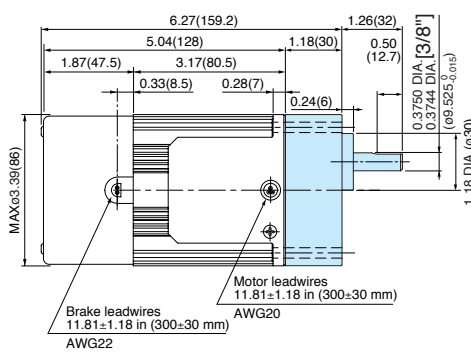
Note: The value in "[]" is for gear ratio of 1/30 or larger.

70 mm sq. (2.76 inch sq.) 15 W

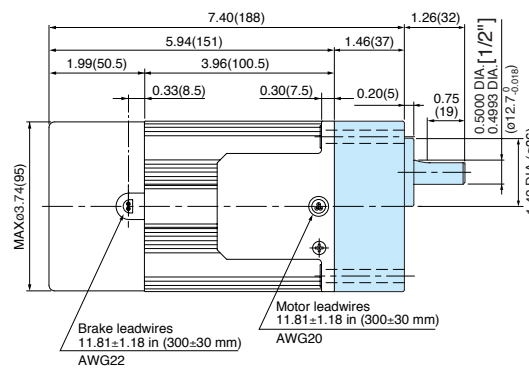


Note: The value in "[]" is for gear ratio of 1/30 or larger.

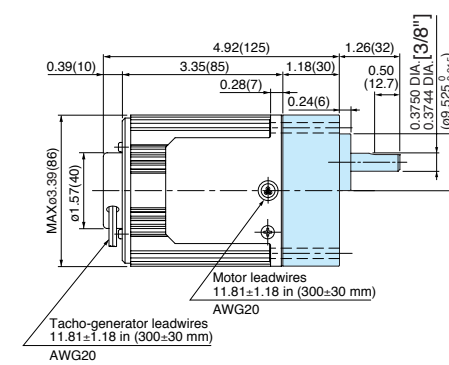
80 mm sq. (3.15 inch sq.) 25 W



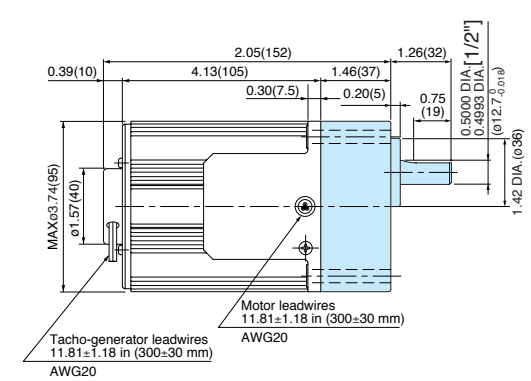
90 mm sq. (3.54 inch sq.) 40 W



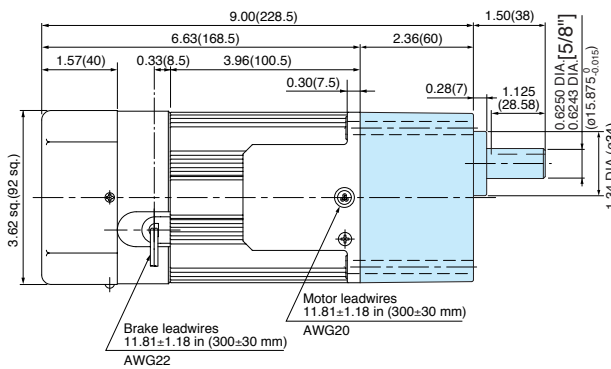
80 mm sq. (3.15 inch sq.) 25 W



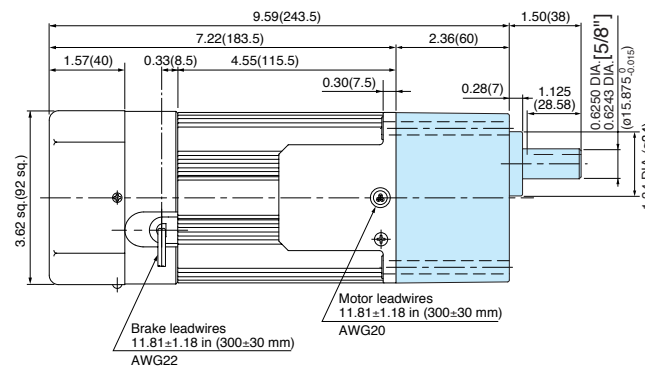
90 mm sq. (3.54 inch sq.) 40 W



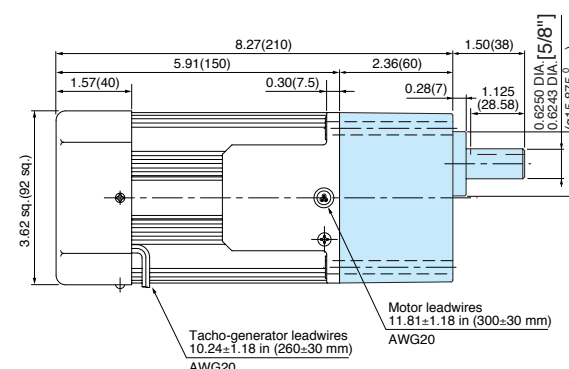
90 mm sq. (3.54 inch sq.) 60 W



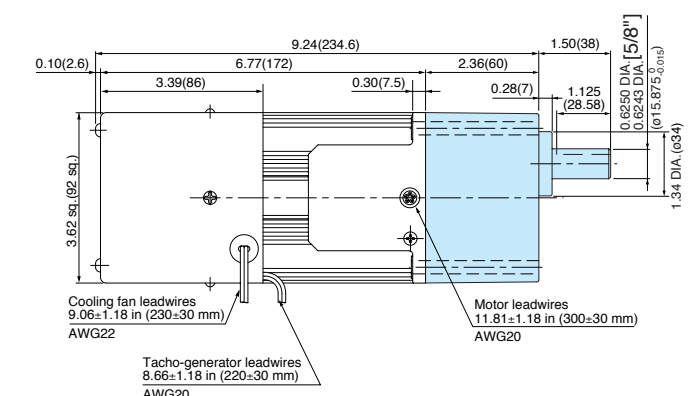
90 mm sq. (3.54 inch sq.) 90 W



90 mm sq. (3.54 inch sq.) 60 W



90 mm sq. (3.54 inch sq.) 90 W

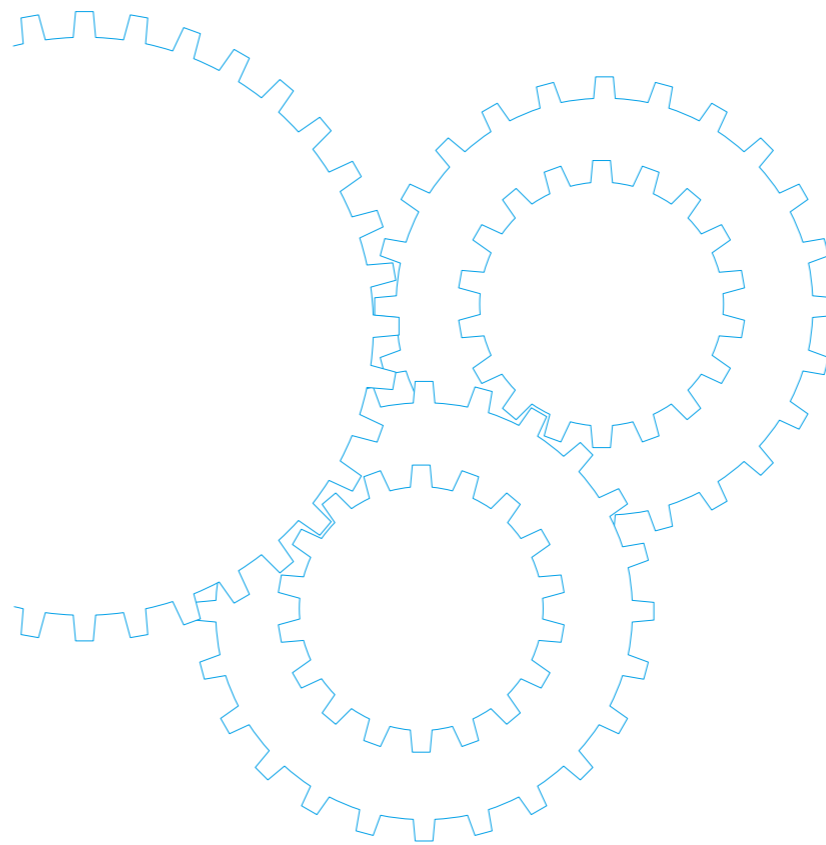


* Please read your User's manual carefully so that you will understand the operation and safety precautions before attempting to operate the system.

(Note) Because the dimensions may be subject to change, also check the determinate dimensions if the gear head is to be used for design.

Induction motor
Reversible motor
3-phase motor
Electromagnetic brake motor
Variable speed induction motor
Variable speed reversible motor
Variable speed electromagnetic single-phase motor
Variable speed unit motor
C&B motor
2-pole round shaft motor
Gear head
Gear head -inch (U.S.A.)

Speed Controller



Contents

- Speed Controller Overview C- 2
- Types C- 4
- Product information for each model C- 6

Speed Controller Overview

Overview of Speed Controllers

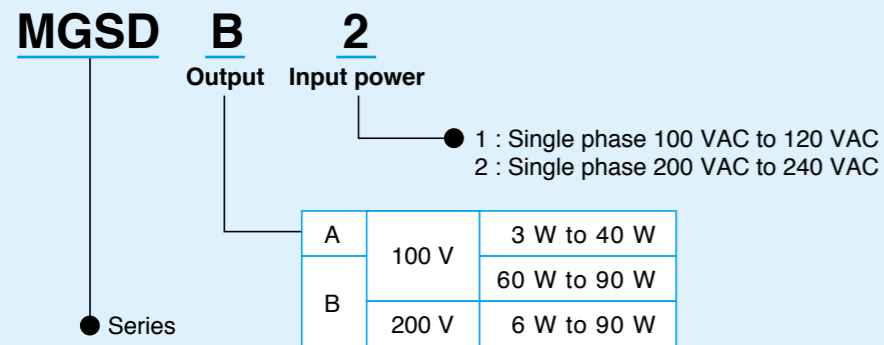
- These controllers vary speed of compact geared motors.
- The lineup of the speed controllers is divided into the following 3 types to meet various applications and configuration.

- 1. Separate type speed controller** Speed controller of the basic configuration
- 2. Unit type speed controller** A set of a motor and speed controller: Both can be connected through a single-touch connector.
- 3. Inverter** Speed controller for 3-phase motor

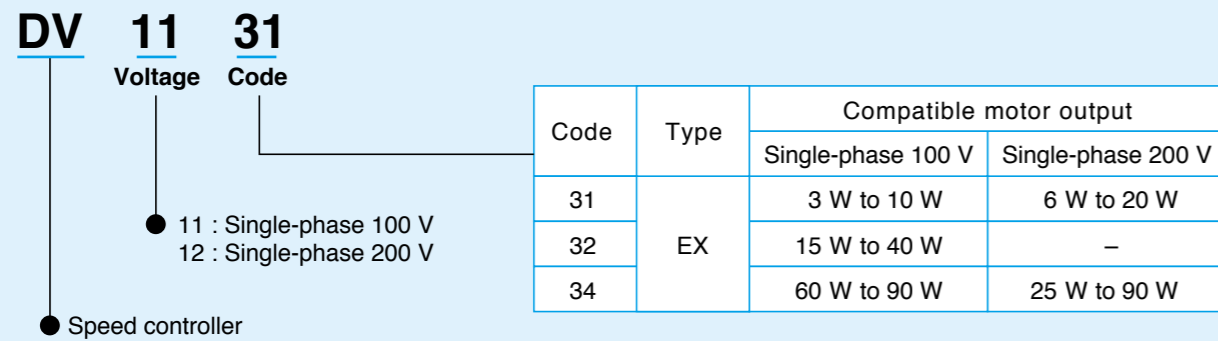
Product designation

• Separate type speed controller

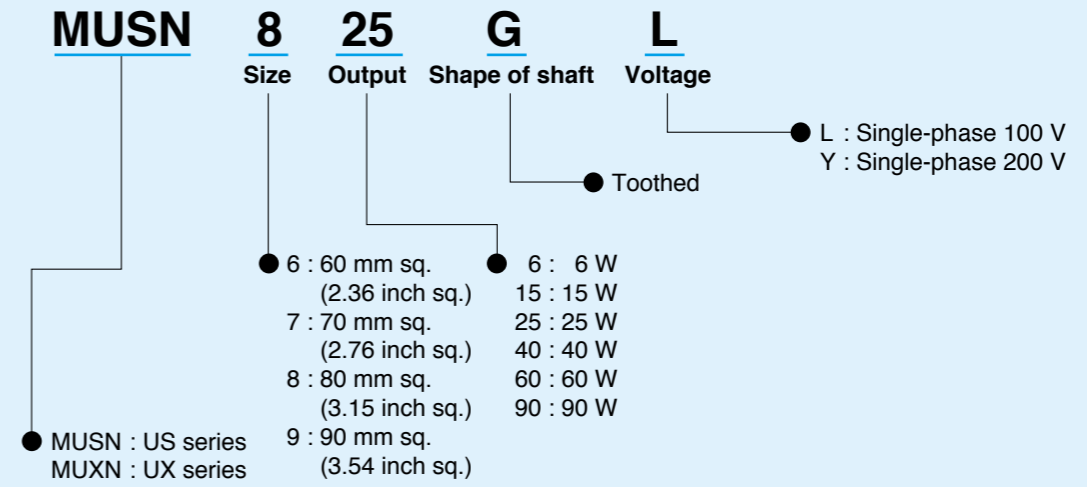
• MGSD type



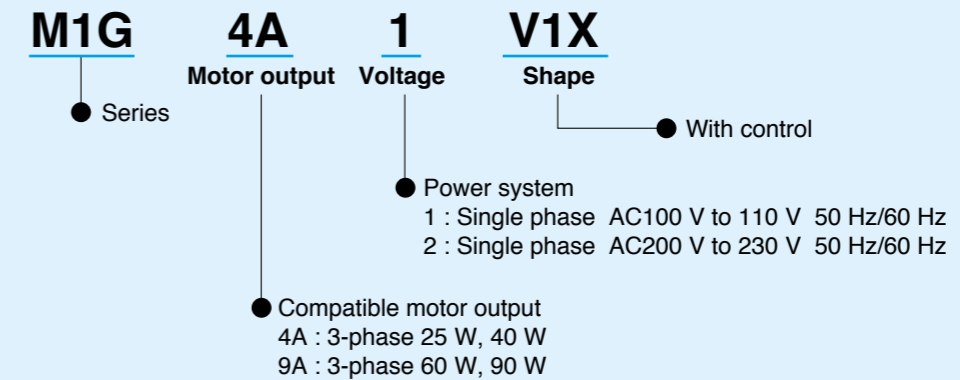
• EX type



• Unit type speed controller



• Inverter






Speed controller



• Possible combination of speed controller and motor

	Size	Output (W)	Motor			Voltage (V)	Speed controller			
			Certified	Pinion shaft type	Round shaft type		MGSD type	EX type		
Variable speed induction motor	60 mm sq. (2.36 inch sq.)	3	----	M61X3GV4L	M61X3SV4LS	100	MGSDA1 ★	DV1131		
			6	----	M61X6GV4L	M61X6SV4LS	100	MGSDA1 ★	DV1131	
		6	----	M61X6GV4Y	M61X6SV4YS	200	MGSDB2 ★	DV1231		
			★	M61X6GV4LG(A)	M61X6SV4LG(A)	100	MGSDA1 ★	----		
			★	M61X6GV4DG(A)	M61X6SV4DG(A)	110/115	MGSDA1 ★	----		
			★	M61X6GV4YG(A)	M61X6SV4YG(A)	200	MGSDB2 ★	----		
			★	M61X6GV4GG(A)	M61X6SV4GG(A)	220/230	MGSDB2 ★	----		
	70 mm sq. (2.76 inch sq.)	10	----	M71X10GV4L	M71X10SV4LS	100	MGSDA1 ★	DV1131		
			----	M71X10GV4Y	M71X10SV4YS	200	MGSDB2 ★	DV1231		
		15	----	M71X15GV4L	M71X15SV4LS	100	MGSDA1 ★	DV1132		
			----	M71X15GV4Y	M71X15SV4YS	200	MGSDB2 ★	DV1231		
			★	M71X15GV4LG(A)	M71X15SV4LG(A)	100	MGSDA1 ★	----		
			★	M71X15GV4DG(A)	M71X15SV4DG(A)	110/115	MGSDA1 ★	----		
			★	M71X15GV4YG(A)	M71X15SV4YG(A)	200	MGSDB2 ★	----		
	★ e	M71X15GV4GG(A)	M71X15SV4GG(A)	220/230	MGSDB2 ★	----				
	80 mm sq. (3.15 inch sq.)	15	----	M81X15GV4L	M81X15SV4LS	100	MGSDA1 ★	DV1132		
			----	M81X15GV4Y	M81X15SV4YS	200	MGSDB2 ★	DV1231		
		25	----	M81X25GV4L	M81X25SV4LS	100	MGSDA1 ★	DV1132		
			----	M81X25GV4Y	M81X25SV4YS	200	MGSDB2 ★	DV1234		
			★	M81X25GV4LG(A)	M81X25SV4LG(A)	100	MGSDA1 ★	----		
			★	M81X25GV4DG(A)	M81X25SV4DG(A)	110/115	MGSDA1 ★	----		
			★	M81X25GV4YG(A)	M81X25SV4YG(A)	200	MGSDB2 ★	----		
			★ e	M81X25GV4GG(A)	M81X25SV4GG(A)	220/230	MGSDB2 ★	----		
			90 mm sq. (3.54 inch sq.)	40	----	M91X40GV4L	M91X40SV4LS	100	MGSDA1 ★	DV1132
					----	M91X40GV4Y	M91X40SV4YS	200	MGSDB2 ★	DV1234
	★	M91X40GV4LG(A)			M91X40SV4LG(A)	100	MGSDA1 ★	----		
	★	M91X40GV4DG(A)			M91X40SV4DG(A)	110/115	MGSDA1 ★	----		
	★	M91X40GV4YG(A)			M91X40SV4YG(A)	200	MGSDB2 ★	----		
	★ e	M91X40GV4GG(A)			M91X40SV4GG(A)	220/230	MGSDB2 ★	----		
	60	----		M91Z60GV4L	M91Z60SV4LS	100	MGSDB1 ★	DV1134		
----		M91Z60GV4Y		M91Z60SV4YS	200	MGSDB2 ★	DV1234			
★		M91Z60GV4LG(A)		M91Z60SV4LG(A)	100	MGSDB1 ★	----			
★		M91Z60GV4DG(A)		M91Z60SV4DG(A)	110/115	MGSDB1 ★	----			
★		M91Z60GV4YG(A)	M91Z60SV4YG(A)	200	MGSDB2 ★	----				
★		M91Z60GV4GG(A)	M91Z60SV4GG(A)	220/230	MGSDB2 ★	----				
★ e		M91Z60GV4GGB	M91Z60SV4GGB	220/230	MGSDB2 ★	----				
90		★ e	M91Z60GV4GGC	M91Z60SV4GGC	220/230	MGSDB2 ★	----			
		----	M91Z90GV4L	M91Z90SV4LS	100	MGSDB1 ★	DV1134			
		----	M91Z90GV4Y	M91Z90SV4YS	200	MGSDB2 ★	DV1234			
		★	M91Z90GV4LG(A)	M91Z90SV4LG(A)	100	MGSDB1 ★	----			
		★	M91Z90GV4DG(A)	M91Z90SV4DG(A)	110/115	MGSDB1 ★	----			
		★	M91Z90GV4YG(A)	M91Z90SV4YG(A)	200	MGSDB2 ★	----			
		★	M91Z90GV4GG(A)	M91Z90SV4GG(A)	220/230	MGSDB2 ★	----			
	★ e	M91Z90GV4GGC	M91Z90SV4GGC	220/230	MGSDB2 ★	----				

* When using a speed controller operative under a wide range of supply voltage (MGSD), the mating motor should be selected according to the voltage of the power supply to be used.

* For combination of C&B (variable speed induction motor) motor and speed controller please refer to the page B-351.

★ Conforming to international standards e Motor compliant with China efficiency standards : c   

★ MGSD speed controllers are compliant with c  and .

* The models with a motor model number to which "A" is suffixed are not equipped with a capacitor cap.

The models with a motor model number to which "A" is suffixed are not sold or available in Japan.

* Please read your User's manual carefully so that you will understand the operation and safety precautions before attempting to operate the system.

	Size	Output (W)	Motor			Voltage (V)	Speed controller			
			Certified	Pinion shaft type	Round shaft type		MGSD type	EX type		
Variable speed reversible motor	60 mm sq. (2.36 inch sq.)	3	----	M6RX4GV4L	M6RX4SV4LS	100	MGSDA1 ★	DV1131		
			6	----	M6RX6GV4L	M6RX6SV4LS	100	MGSDA1 ★	DV1131	
		6	----	M6RX6GV4Y	M6RX6SV4YS	200	MGSDB2 ★	DV1231		
			★	M6RX6GV4LG(A)	M6RX6SV4LG(A)	100	MGSDA1 ★	----		
			★	M6RX6GV4DG(A)	M6RX6SV4DG(A)	110/115	MGSDA1 ★	----		
			★	M6RX6GV4YG(A)	M6RX6SV4YG(A)	200	MGSDB2 ★	----		
			★	M6RX6GV4GG(A)	M6RX6SV4GG(A)	220/230	MGSDB2 ★	----		
	70 mm sq. (2.76 inch sq.)	10	----	M7RX10GV4L	M7RX10SV4LS	100	MGSDA1 ★	DV1131		
			----	M7RX10GV4Y	M7RX10SV4YS	200	MGSDB2 ★	DV1231		
		15	----	M7RX15GV4L	M7RX15SV4LS	100	MGSDA1 ★	DV1132		
			----	M7RX15GV4Y	M7RX15SV4YS	200	MGSDB2 ★	DV1231		
			★	M7RX15GV4LG(A)	M7RX15SV4LG(A)	100	MGSDA1 ★	----		
			★	M7RX15GV4DG(A)	M7RX15SV4DG(A)	110/115	MGSDA1 ★	----		
			★	M7RX15GV4YG(A)	M7RX15SV4YG(A)	200	MGSDB2 ★	----		
	★	M7RX15GV4GG(A)	M7RX15SV4GG(A)	220/230	MGSDB2 ★	----				
	80 mm sq. (3.15 inch sq.)	15	----	M8RX20GV4L	M8RX20SV4LS	100	MGSDA1 ★	DV1132		
			----	M8RX20GV4Y	M8RX20SV4YS	200	MGSDB2 ★	DV1231		
		25	----	M8RX25GV4L	M8RX25SV4LS	100	MGSDA1 ★	DV1132		
			----	M8RX25GV4Y	M8RX25SV4YS	200	MGSDB2 ★	DV1234		
			★	M8RX25GV4LG(A)	M8RX25SV4LG(A)	100	MGSDA1 ★	----		
			★	M8RX25GV4DG(A)	M8RX25SV4DG(A)	110/115	MGSDA1 ★	----		
			★	M8RX25GV4YG(A)	M8RX25SV4YG(A)	200	MGSDB2 ★	----		
			★	M8RX25GV4GG(A)	M8RX25SV4GG(A)	220/230	MGSDB2 ★	----		
			90 mm sq. (3.54 inch sq.)	40	----	M9RX40GV4L	M9RX40SV4LS	100	MGSDA1 ★	DV1132
					----	M9RX40GV4Y	M9RX40SV4YS	200	MGSDB2 ★	DV1234
	★	M9RX40GV4LG(A)			M9RX40SV4LG(A)	100	MGSDA1 ★	----		
	★	M9RX40GV4DG(A)			M9RX40SV4DG(A)	110/115	MGSDA1 ★	----		
	★	M9RX40GV4YG(A)			M9RX40SV4YG(A)	200	MGSDB2 ★	----		
	★	M9RX40GV4GG(A)			M9RX40SV4GG(A)	220/230	MGSDB2 ★	----		
	60	----		M9RZ60GV4L	M9RZ60SV4LS	100	MGSDB1 ★	DV1134		
----		M9RZ60GV4Y		M9RZ60SV4YS	200	MGSDB2 ★	DV1234			
★		M9RZ60GV4LG(A)		M9RZ60SV4LG(A)	100	MGSDB1 ★	----			
★		M9RZ60GV4DG(A)		M9RZ60SV4DG(A)	110/115	MGSDB1 ★	----			
★		M9RZ60GV4YG(A)	M9RZ60SV4YG(A)	200	MGSDB2 ★	----				
★		M9RZ60GV4GG(A)	M9RZ60SV4GG(A)	220/230	MGSDB2 ★	----				
90		----	M9RZ90GV4L	M9RZ90SV4LS	100	MGSDB1 ★	DV1134			
		----	M9RZ90GV4Y	M9RZ90SV4YS	200	MGSDB2 ★	DV1234			
		★	M9RZ90GV4LG(A)	M9RZ90SV4LG(A)	100	MGSDB1 ★	----			
		★	M9RZ90GV4DG(A)	M9RZ90SV4DG(A)	110/115	MGSDB1 ★	----			
		★	M9RZ90GV4YG(A)	M9RZ90SV4YG(A)	200	MGSDB2 ★	----			
		★	M9RZ90GV4GG(A)	M9RZ90SV4GG(A)	220/230	MGSDB2 ★	----			
		60 mm sq. (2.36 inch sq.)	6	----	M6RX6GBV4L	----	100	MGSDA1 ★	DV1131	
				----	M6RX6GBV4Y	----	200	MGSDB2 ★	DV1231	
70 mm sq. (2.76 inch sq.)	15		----	M7RX15GBV4L	----	100	MGSDA1 ★	DV1132		
			----	M7RX15GBV4Y	----	200	MGSDB2 ★	DV1231		
	25		----	M8RX25GBV4L	----	100	MGSDA1 ★	DV1132		
			----	M8RX25GBV4Y	----	200	MGSDB2 ★	DV1234		
90 mm sq. (3.54 inch sq.)	40	----	M9RX40GBV4L	----	100	MGSDA1 ★	DV1132			
		----	M9RX40GBV4Y	----	200	MGSDB2 ★	DV1234			

* When using a speed controller operative under a wide range of supply voltage (MGSD), the mating motor should be selected according to the voltage of the power supply to be used.

★ Conforming to international standards : c    ★ MGSD speed controllers are compliant with c  and .

* The models with a motor model number to which "A" is suffixed are not equipped with a capacitor cap.

The models with a motor model number to which "A" is suffixed are not sold or available in Japan.

* Please read your User's manual carefully so that you will understand the operation and safety precautions before attempting to operate the system.



MGSD type



EX type

• Features

<MGSD type>

- Internal speed changer
Motor speed can be adjusted from the speed setting knob on the front panel.
Not necessary to install and connect an external speed changer to the controller.
- Electric brake enables instantaneous stop.
- Compact 8P plug-in configuration.
- Variable installation options are available.
Terminal blocks, sockets and other various options (from Panasonic) for panel board can be used.
- Compliant with international standards: US CE

<EX type>

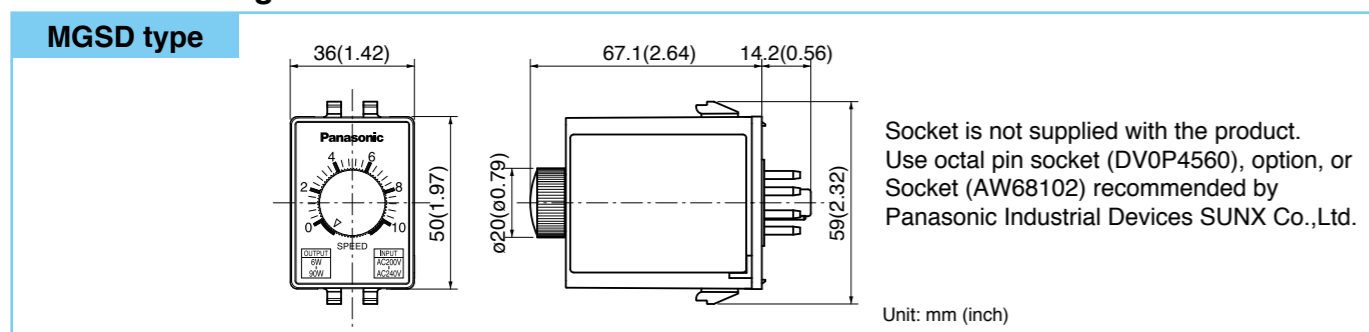
- Soft-start/soft-down
Time can be adjusted up to 5 seconds.
Excellent soft-start/soft-down linearity.
- Selectable response
High-stable and high-response can be selected with the internal changeover switch to meet the characteristic of the application.
(Factory setting: high-response)
- Excellent instantaneous stop capability
- Parallel operation
Two or more motors can be controlled from a single control knob.
- Can link with various control systems
Can control motor(s) in conjunction with different controlling systems such as PLC (Programmable Logic Controller). The voltage signal can also be used as control signal.

• Standard specification (MGSD type)

	MGSDA1	MGSDB1	MGSDB2
Supply voltage	Single phase 100 VAC to 120 VAC		Single phase 200 VAC to 240 VAC
Supply voltage tolerance	±10 % (at rated voltage)		
Power frequency	50 Hz/60 Hz		
Rated input current	1.0 A	2.0 A	1.0 A
Compatible motor output	3 W to 40 W	60 W to 90 W	6 W to 90 W
Speed control range	50 Hz : 90 r/min to 1400 r/min 60 Hz : 90 r/min to 1700 r/min		
Speed regulation (against load)	5 % : 1000 r/min, Typical variation at 80 % rated torque		
Speed setting	Internal		
Braking *1	Activated while electric braking current is flowing.		
Electric braking time	0.5 sec (typ.): Amount of braking current is 2 times to 3 times the rated current.		
Parallel operation	Not applicable		
Product weight	80 g		

*1 Electric braking has no mechanical holding mechanism.

• Outline drawing



* Please read your User's manual carefully so that you will understand the operation and safety precautions before attempting to operate the system.

• Standard specification (EX type)

Characteristic	Part No.	EX type				
		DV1131	DV1132	DV1134	DV1231	DV1234
Rated voltage		Single phase 100 VAC			Single phase 200 VAC	
Operating voltage range		±10 % (at rated voltage)				
Power frequency		50 Hz/60 Hz				
Rated current		0.4 A	1 A	2.0 A	0.3 A	1 A
Compatible motor output *1		3 W to 10 W	15 W to 40 W	60 W to 90 W	6 W to 20 W	25 W to 90 W
Operation change		High-response			High-stability	
Speed control range		90 r/min to 1400 r/min / 90 r/min to 1700 r/min			50 r/min to 1400 r/min / 50 r/min to 1700 r/min	
Speed variation		5 % or more			3 % or less	
Speed setting		From external controller, e.g. external speed changer *3				
Braking*2		Active while electric braking current is flowing.				
Electric braking time		5 sec typ. The braking current will be turned off before the 5-second limit as the motor stops. (Braking current is 2 to 3 times the rated current.)				
Parallel operation		Enabled				
Soft-start/soft-down capability		Available (typically up to 5 sec (0 to max. speed))				
Operating temperature range		-10 °C to 50 °C				
Storage temperature		-20 °C to 60 °C				

*1 Applicable to Panasonic compact speed variable geared motors. Select motors with applicable output.

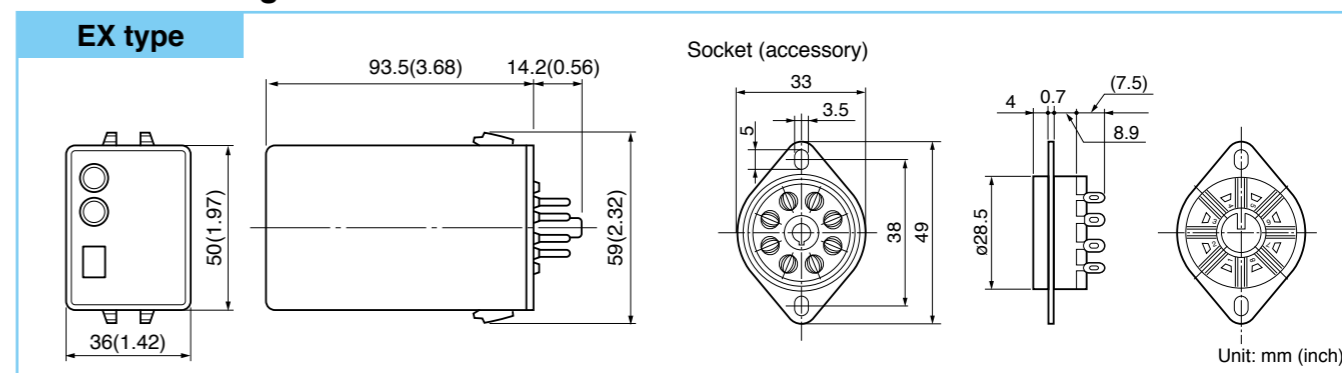
*2 Electric braking has no mechanical brake holding mechanism.

To provide brake holding, use our C&B motor or variable speed motor containing electromagnetic brake.

When braking a load having excessively high inertia, durability and life expectancy of motor shaft and gear should be taken into consideration. Use the motor within the allowable inertia.

*3 EX type is supplied with the external speed changer.

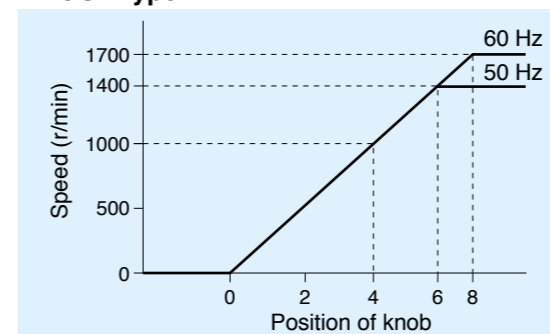
• Outline drawing



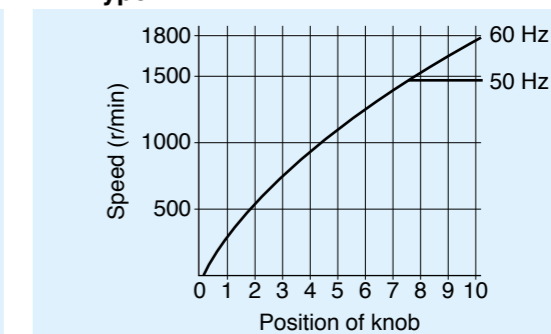
• Setting of Speed

In the case of the MGSD type, the built-in speed reference is used to set the speed. In the case of the EX type, the external speed reference is used to set the speed. The figure below shows an example of the relation between the position of the speed setting knob and the speed of the motor. (Note that there is an approx. 10 % fluctuation due to variations in the voltage generation of the circuit and tacho-generator.)

• MGSD type



• EX type



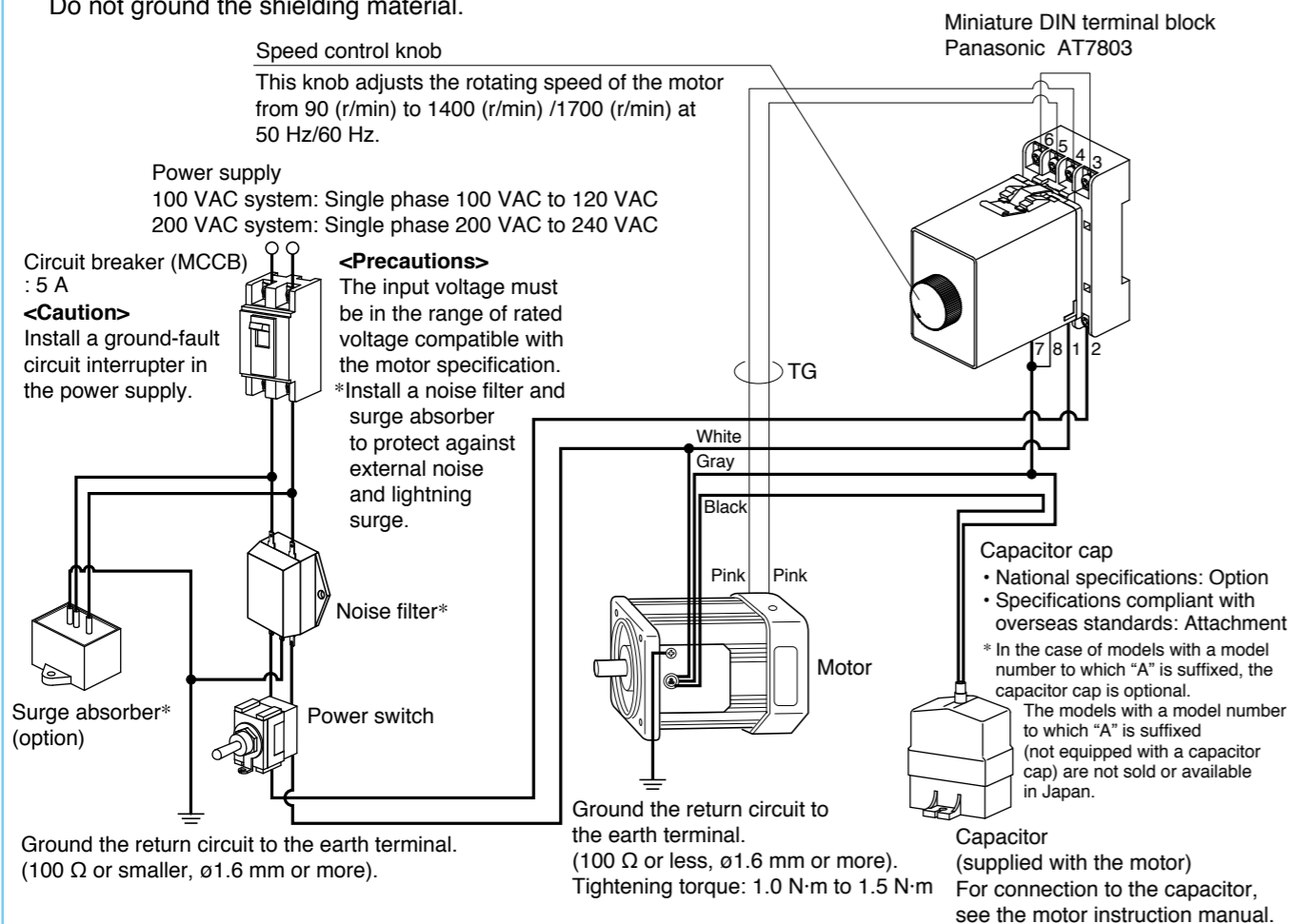
* Please read your User's manual carefully so that you will understand the operation and safety precautions before attempting to operate the system.

• Connection diagram list

Connection diagram	Function	Speed controller	Page
1	Wiring diagram (for unidirectional rotation)	MGSD type	C- 8
2	Speed change only	MGSD type	C- 9
3	Unidirectional rotation and electric brake	MGSD type	C-10
4	Normal/reverse rotation and electric brake	MGSD type	C-11
5	Wiring of cooling fan motor (F) or motor with thermal protector (TP)	MGSD type	C-12
6	Wiring to electromagnetic brake (40 W or smaller)	MGSD type	C-12
7	Wiring diagram (for unidirectional rotation)	EX type	C-13
8	Speed change only	EX type	C-14
9	Unidirectional rotation and electric brake	EX type	C-15
10	Normal/reverse rotation and electric brake	EX type	C-16
11	Multispeed setting application	EX type	C-17
12	Speed change with analog signal	EX type	C-17
13	Operation through contactless signal	EX type	C-18
14	Parallel operation through external speed changer	EX type	C-18
15	Parallel operation through analog signal	EX type	C-19
16	Soft-operation	EX type	C-19
17	Wiring of cooling fan motor (F) and motor with thermal protector (TP)	EX type	C-20
18	Wiring to electromagnetic brake	EX type	C-20

1 Wiring diagram (for unidirectional rotation)

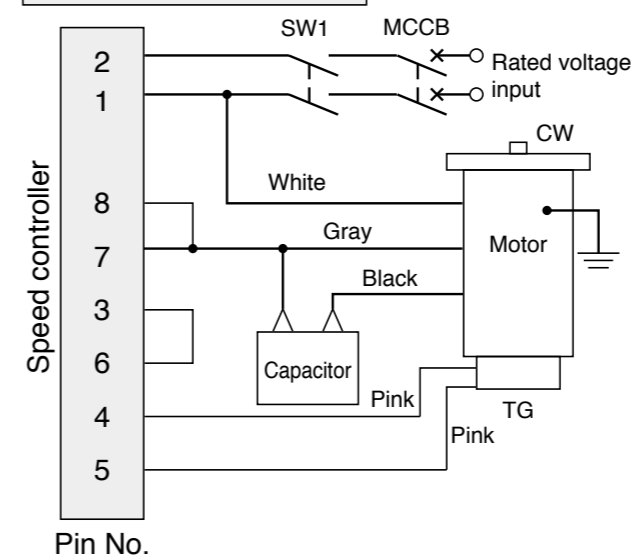
- The motor revolving speed can be set from the speed setting knob on the panel.
- The thick continuous lines represent main circuit. Use conductor of size 0.75 mm² or larger for the main line.
- The thin continuous lines represent signal circuit. Use conductor of size 0.3 mm² or larger in the signal circuit. When the distance from the tachometer generator (TG) is long, use shielded twisted pair cable. Do not ground the shielding material.



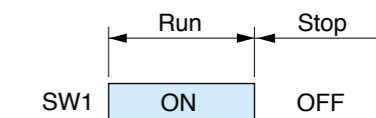
* Please read your User's manual carefully so that you will understand the operation and safety precautions before attempting to operate the system.

2 Speed change only

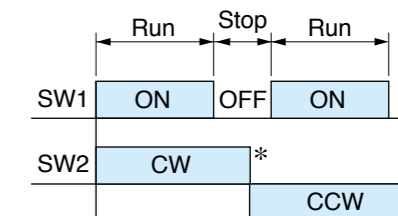
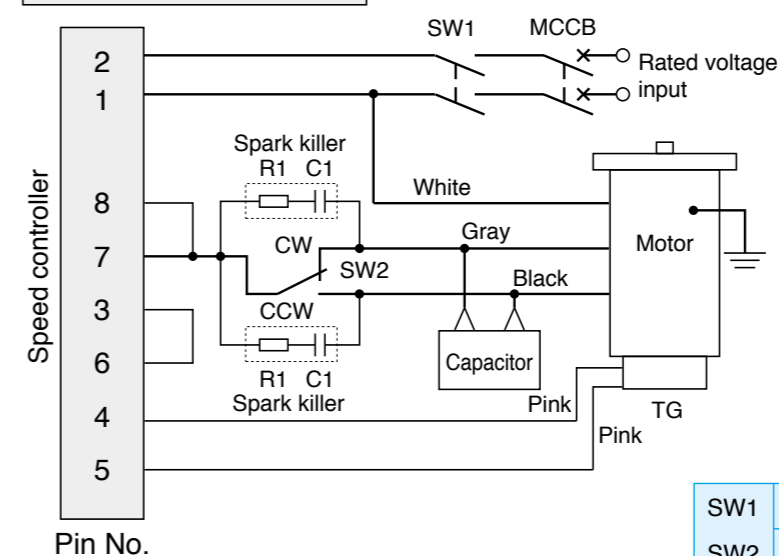
Unidirectional rotation



Rotating direction viewed from shaft end	
CW	Clockwise
CCW	Counterclockwise



Normal/reverse rotation



SW1 : Power switch
SW2 : Normal/reverse selector switch

SW1	100 V supply system	5 A or more at 125 VAC
SW2	200 V supply system	5 A or more at 250 VAC
Spark killer R1+C1	DV0P008A (option)	

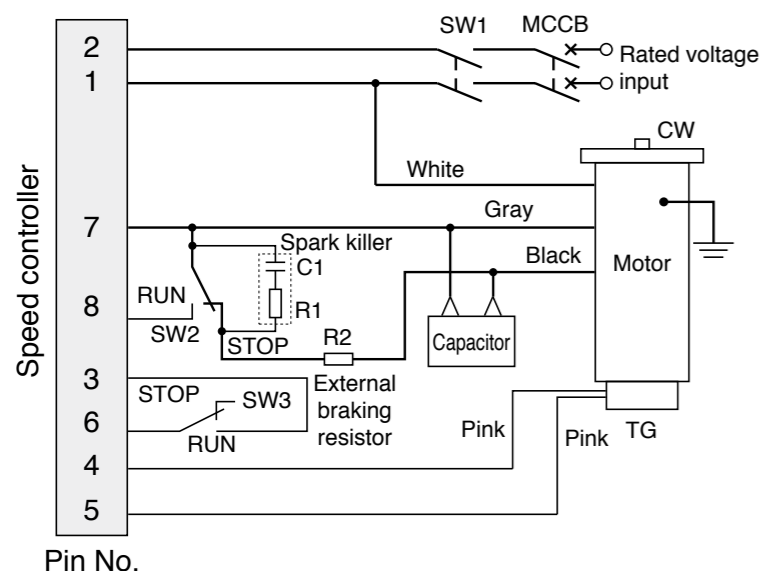
<Precautions>

1. To change rotating direction of induction motor:
Provide a motor halt period. Switch over SW2 after complete stop of the motor.
2. To change rotating direction of reversible motor:
A motor halt period is not necessary. Switch over SW2 while keeping SW1 turned ON. When configuring SW2 with relay contacts, use a relay having large gap between contacts (e.g. HL relay from Panasonic) to prevent malfunction due to short-circuited capacitor.
3. For motors for cooling fan and motors with thermal protector, also refer to page C-12.
4. When using independent relay contacts for SW2 to change over normal/reverse, interlock both contacts so that they will not close simultaneously.
5. The spark killer consisting of R1 and C1 must be used to protect the relay contacts.

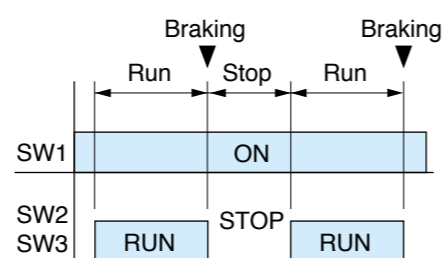
* Please read your User's manual carefully so that you will understand the operation and safety precautions before attempting to operate the system.

3 Unidirectional rotation and electric brake

25 W or smaller

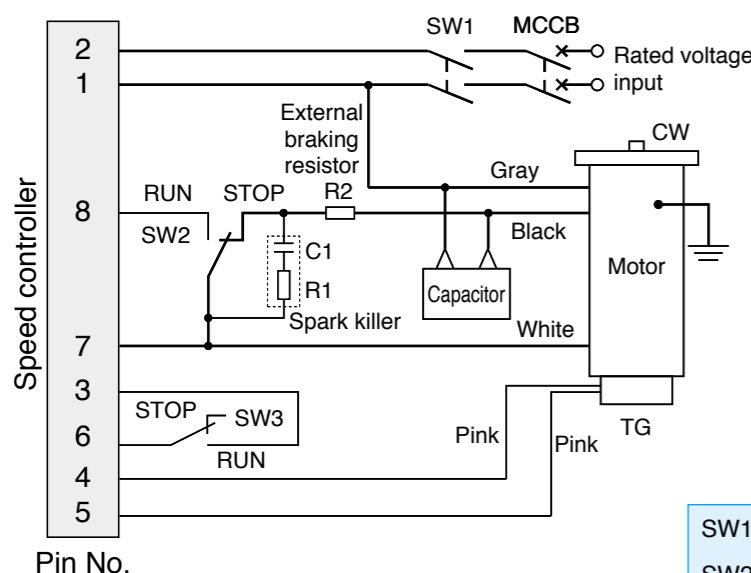


• Connection according to this wiring diagram causes the motor to rotate clockwise when viewed from the motor shaft end. To run the motor counterclockwise, interchange the connecting point of black and gray leads.



SW1 : Power switch
SW2 : RUN/STOP switch
SW3 : Brake start switch

40 W or larger



SW1	100 V supply system	5 A or more at 125 VAC
SW2	200 V supply system	5 A or more at 250 VAC
SW3	DC10 V 10 mA	
Spark killer R1+C1	DV0P008A (option)	
External braking resistor R2	DV0P003 (option)	

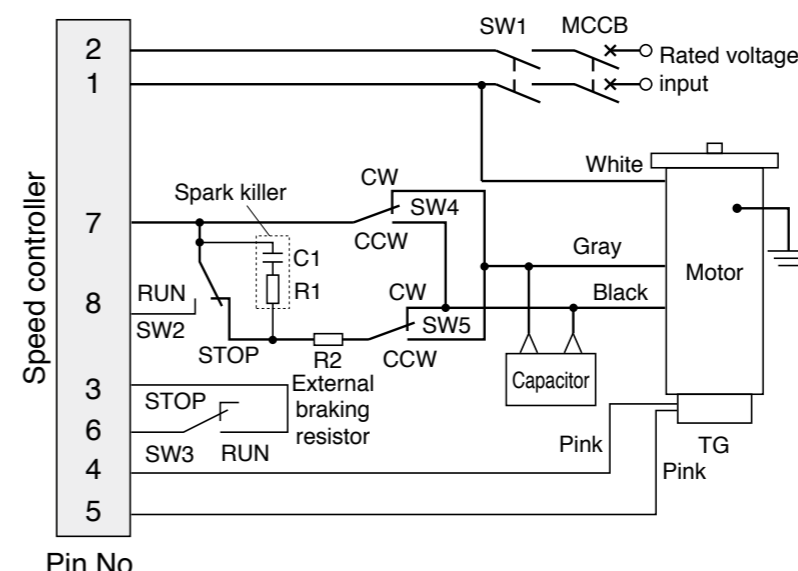
<Precautions>

- When SW2 and SW3 are switched from RUN to STOP, electric braking is applied for approx. 0.5 sec, and the motor stops instantly. Difference in switching time between SW2 and SW3 must be 0.1 sec or shorter. If SW2 (SW3) is in RUN position while SW3 (SW2) is in STOP, abnormal operation occurs (full speed rotation for a short time) and motor temperature rises excessively.
- The number of start/stop operations must be 6 times/min or less.
- For motors for cooling fan and motors with thermal protector, also refer to page C-12.
- The spark killer consisting of R1 and C1 must be used to protect the relay contacts.
- R2 limits flow of discharging current upon short-circuiting of the capacitor during braking.

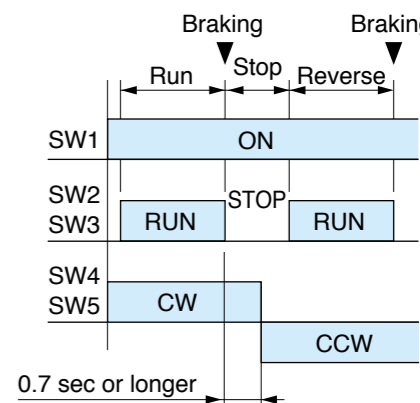
* Please read your User's manual carefully so that you will understand the operation and safety precautions before attempting to operate the system.

4 Normal/reverse rotation and electric brake

25 W or smaller

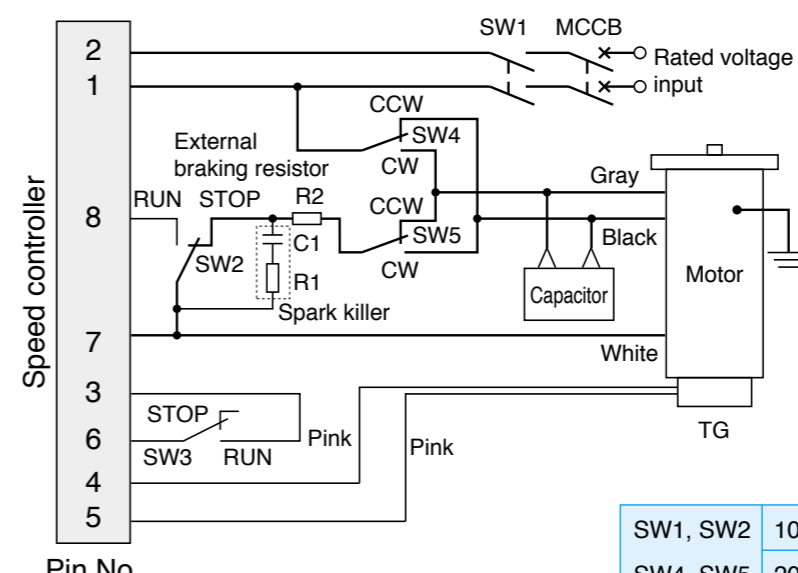


Rotating direction viewed from shaft end	
CW	Clockwise
CCW	Counterclockwise



SW1 : Power switch
SW2 : RUN/STOP switch
SW3 : Braking start switch
SW4 : Normal/reverse selector switch

40 W or larger



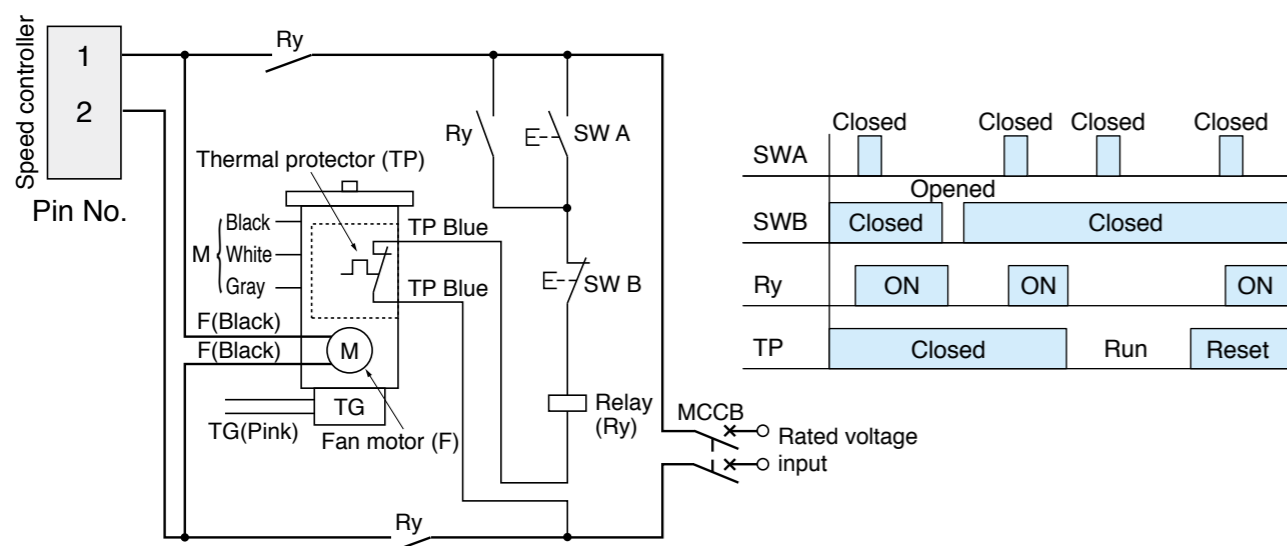
SW1, SW2	100 V supply system	5 A or more at 125 VAC
SW4, SW5	200 V supply system	5 A or more at 250 VAC
SW3	DC10 V 10mA	
Spark killer R1+C1	DV0P008A (option)	
External braking resistor R2	DV0P003 (option)	

<Precautions>

- When SW2 and SW3 are switched from RUN to STOP, electric braking is applied for approx. 0.5 sec, and the motor stops instantly. (Do not operate SW4 and SW5 until the motor stops.) Difference in switching time between SW2 and SW3 must be 0.1 sec or smaller. If SW2 (SW3) is in RUN position while SW3 (SW2) is in STOP, abnormal operation occurs (full speed rotation for a short time) and motor temperature rises excessively.
- Do not change the motor rotating direction (SW4, SW5) while the motor is running.
- The number of start/stop operations must be 6 times/min or less.
- For motors for cooling fan and motors with thermal protector, also refer to page C-12.
- The spark killer consisting of R1 and C1 must be used to protect the relay contacts.

* Please read your User's manual carefully so that you will understand the operation and safety precautions before attempting to operate the system.

5 Wiring of cooling fan motor (F) or motor with thermal protector (TP)



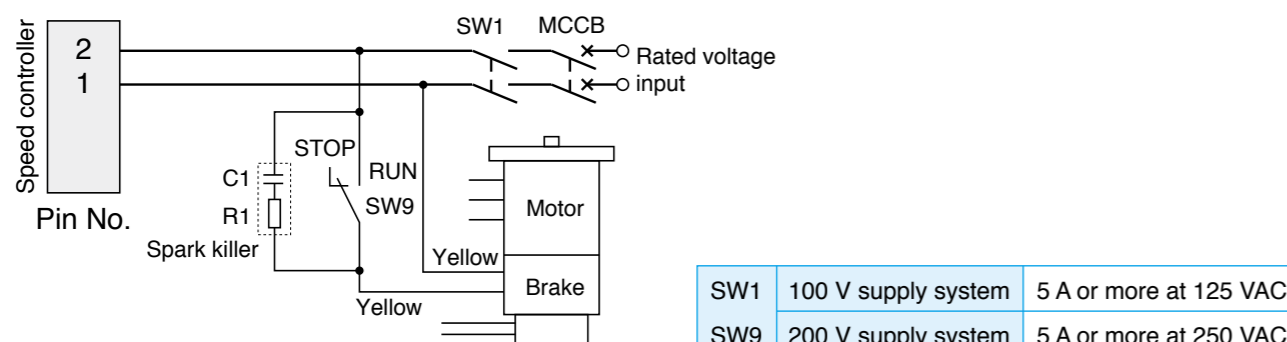
SW A	Momentary N.O. contact		
SW B	Momentary N.C. contact		
Relay Ry	100 V supply system	125 VAC	5 A or more 3a contact
	200 V supply system	250 VAC	5 A or more 3a contact

<Precautions>

1. The thermal protector (TP) is an automatic reset type. To prevent hazards caused by restarting, connect the TP as shown above. Don't connect TP directly to the power supply.
2. Once the TP operates, cooling period is required before the operation can restart.
3. Connect the cooling fan motor (F) across pins 1 and 2 on the power terminal.
4. Motor (M) and tachometer generator (TG) should be connected according to corresponding wiring diagram shown later.

6 Wiring to electromagnetic brake (40 W or smaller)

- Variable speed motor with electromagnetic brake should be wired as shown below.



<Precautions>

1. Operate SW9 simultaneously with RUN/STOP switching of other switches, if any. Placing other switch to RUN position while the brake is active (SW9 at STOP position) causes the motor to generate heat.
2. For remaining wirings, refer to corresponding wiring diagram.

* Please read your User's manual carefully so that you will understand the operation and safety precautions before attempting to operate the system.

7 Wiring diagram (for unidirectional rotation)

- The thick continuous lines represent main circuit. Use conductor of size 0.75 mm² or larger for the main line.
- The thin continuous lines represent signal circuit. Use conductor of size 0.3 mm² or larger in the signal circuit. When the distance from the tachometer generator (TG) is long, use shielded twisted pair cable.

• Soft-start/down control

Soft-start and soft-down times can be adjusted by a single setting. Use this feature to protect the load from shock caused by sharp speed change at startup and shutdown of the motor. To disable the soft operation, turn the control fully clockwise.

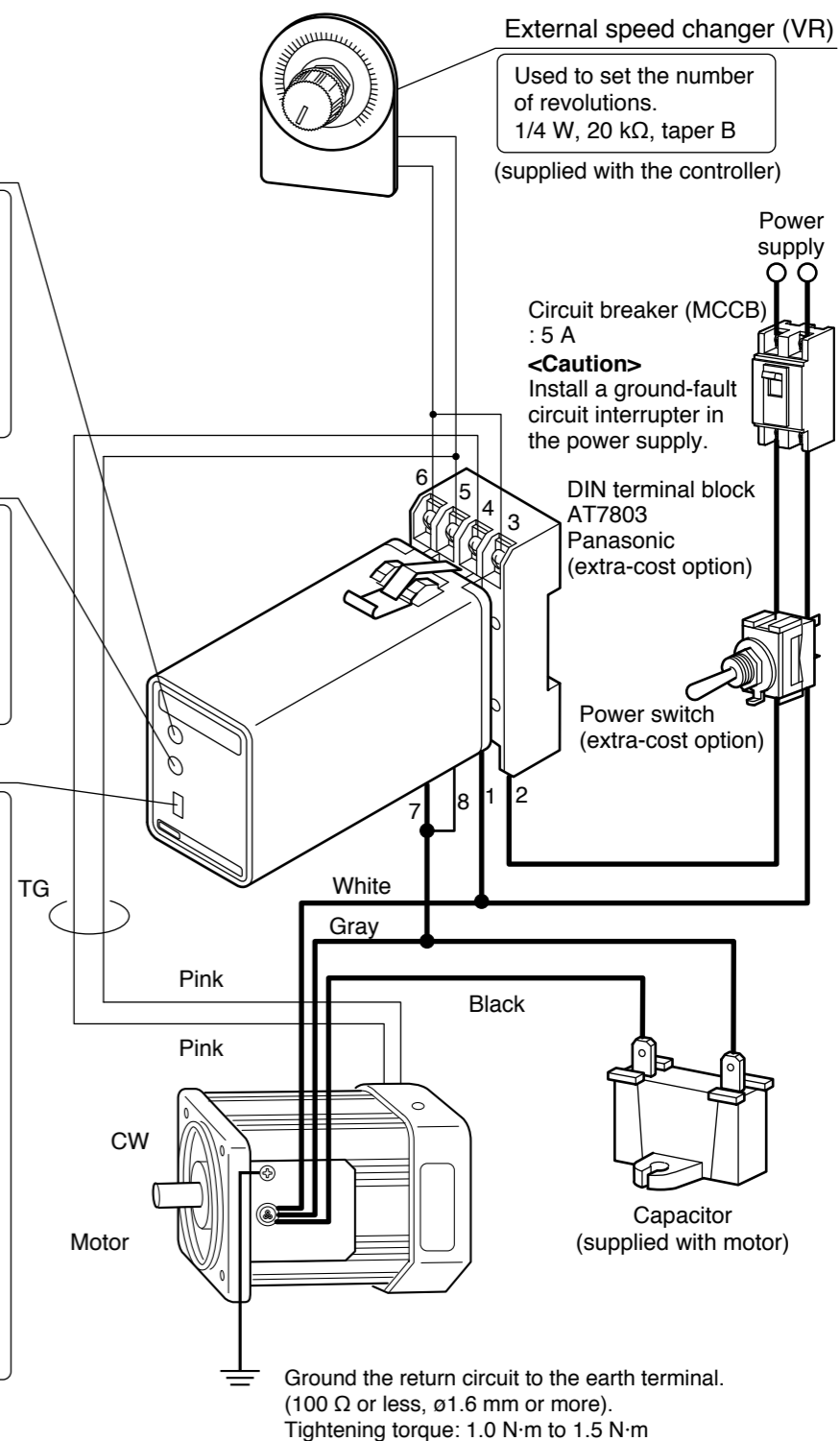
• Maximum speed control

Use this control to adjust the revolving speed when the external speed changer is set at the top speed. Adjust the speed to 1400 (r/min) or below at 50 Hz; or 1700 (r/min) or below at 60 Hz.

• Operation changeover switch

Select "high-stable" or "high-response":

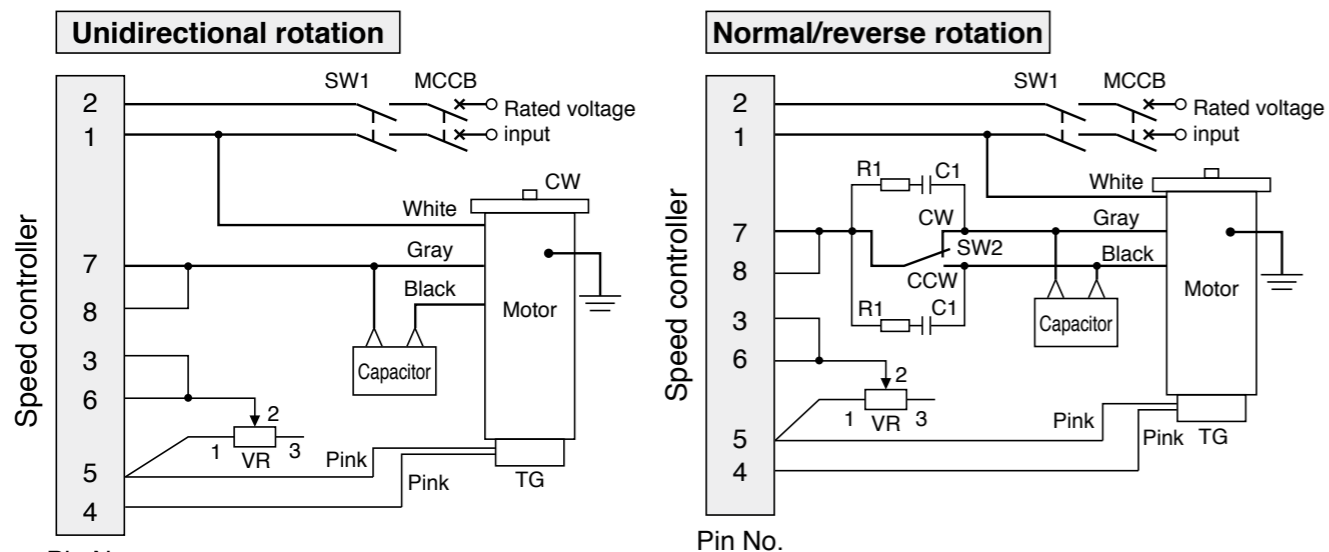
- <High-stable>
 - Keeps the rotation speed variation low against variation in load.
 - Enables a wide range of speed control.
 - Suitable for capability control.
 - May fail to maintain constant rotation speed upon sharp load change.
- <High-response>
 - Enables quick response with low hunting.
 - Suitable for positioning application.
 - May fail to keep rotation speed variation low against variation in load.
 - Not suitable for controlling wide range of speed.



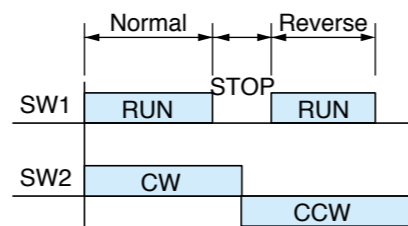
Ground the return circuit to the earth terminal. (100 Ω or less, ø1.6 mm or more). Tightening torque: 1.0 N·m to 1.5 N·m

* Please read your User's manual carefully so that you will understand the operation and safety precautions before attempting to operate the system.

8 Speed change only



This wiring diagram causes the motor to rotate clockwise when viewed from the motor shaft end. To run the motor counterclockwise, interchange the connecting point of black and gray leads.



SW1 : Power switch
SW2 : Normal/reverse selector switch

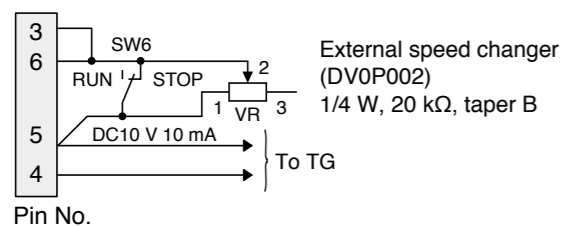
SW1	100 V supply system	5 A or more at 125 VAC
SW2	200 V supply system	5 A or more at 250 VAC
R1+C1	DV0P008A (option)	

<Precautions>

- To change rotating direction of induction motor: Provide a motor halt period. Switch over SW2 after complete stop of the motor.
- To change rotating direction of reversible motor: A motor halt period is not necessary. Switch over SW2 while keeping SW1 turned ON. When configuring SW2 with relay contacts, use a relay having large gap between contacts (e.g. HL relay from Panasonic) to prevent malfunction due to short-circuited capacitor.
- For motors for cooling fan and motors with thermal protector, also refer to page C-20.
- When using independent relay contacts for SW2 to change over normal/reverse, interlock both contacts so that they will not close simultaneously.
- The spark killer consisting of R1 and C1 must be used to protect the relay contacts.

Start/stop control with small signal

- With the external speed changer connected, the motor can be started/stopped with a small signal through SW6 contact while the power switch SW1 (see diagram above) is on. The SW6 provides shorter start-up time than SW1.

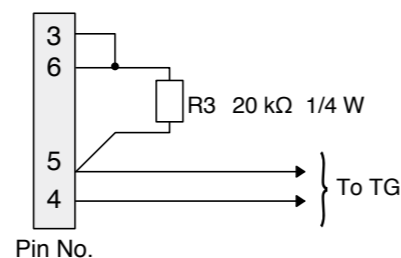


<Precautions>

- Power (SW1) should be turned on at least 0.5 sec before turning on of the start signal (SW6).
- When the motor is not operated for a prolonged time, turn off power switch (SW1).

Operation from maximum speed control

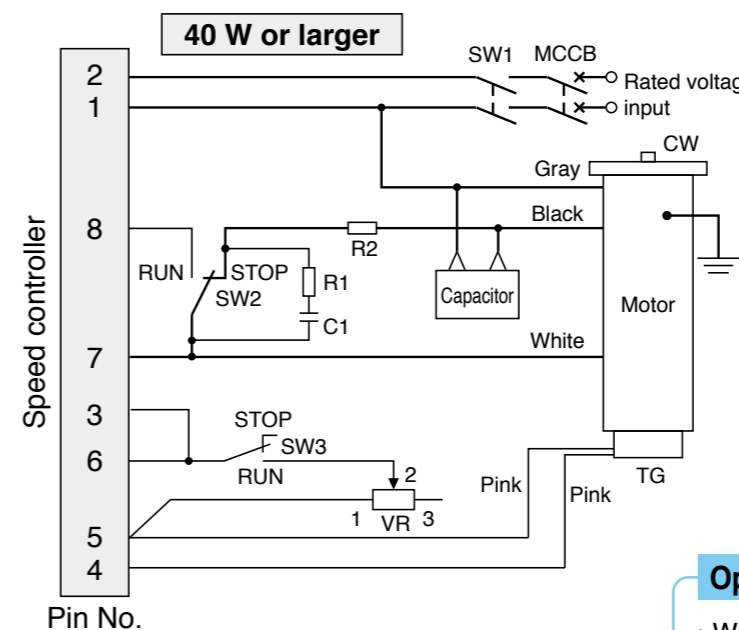
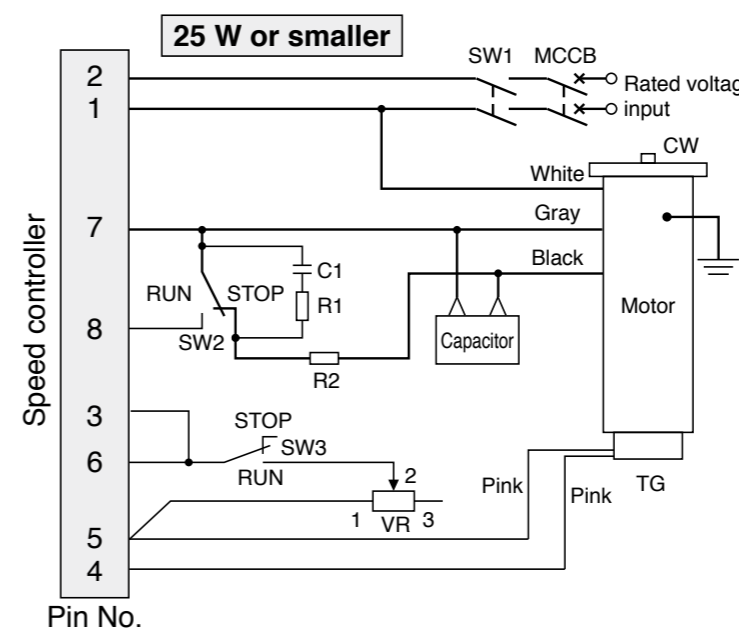
- When no external speed changer is required, the speed can be adjusted from the maximum speed control.



<Precautions>

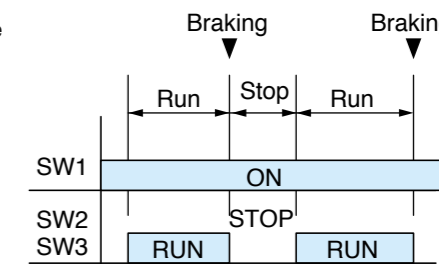
- Connect a fixed resistor (R3) in place of external speed changer (VR).

9 Unidirectional rotation and electric brake



• Connection according to this wiring diagram causes the motor to rotate clockwise when viewed from the motor shaft end. To run the motor counterclockwise, interchange the connecting point of black and gray leads.

SW1	100 V supply system	5 A or more at 125 VAC
SW2	200 V supply system	5 A or more at 250 VAC
SW3	DC10 V 10 mA	
R1+C1	DV0P008A (option)	
R2	DV0P003 (option)	



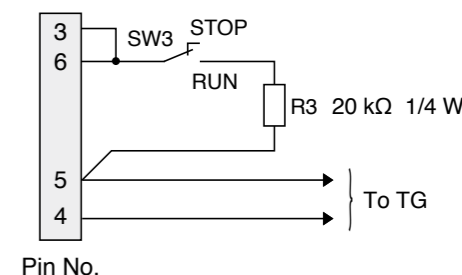
SW1 : Power switch
SW2 : RUN/STOP switch
SW3 : Brake start switch

<Precautions>

- When SW2 and SW3 are switched from RUN to STOP, electric braking is applied for approx. 5 sec, or until the motor stops. SW2 and SW3 must be operated simultaneously. Otherwise, abnormal operation occurs (full speed rotation for a short time), causing the motor temperature rises excessively.
- The number of start/stop cycles must be 6 times/min or less.
- When using cooling fan motor or motor with thermal protector, also see page C-20.
- Insert R1 and C1 to protect relay contact.
- R2 restricts discharge current in case of capacitor short circuit during braking.

Operation from maximum speed control

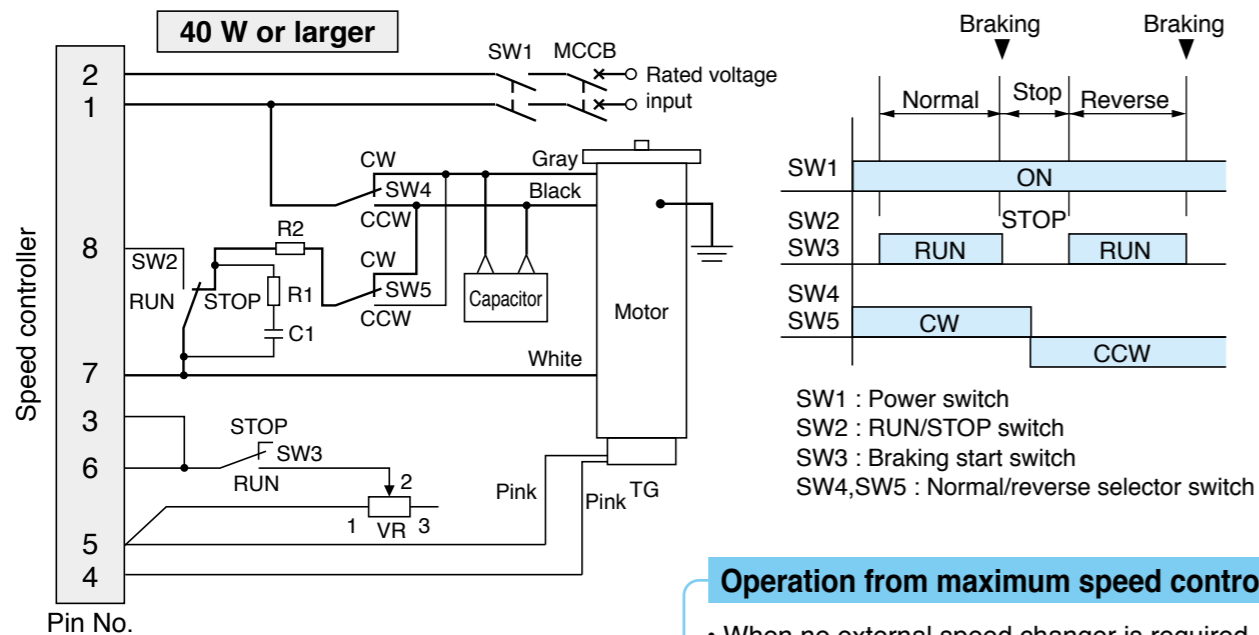
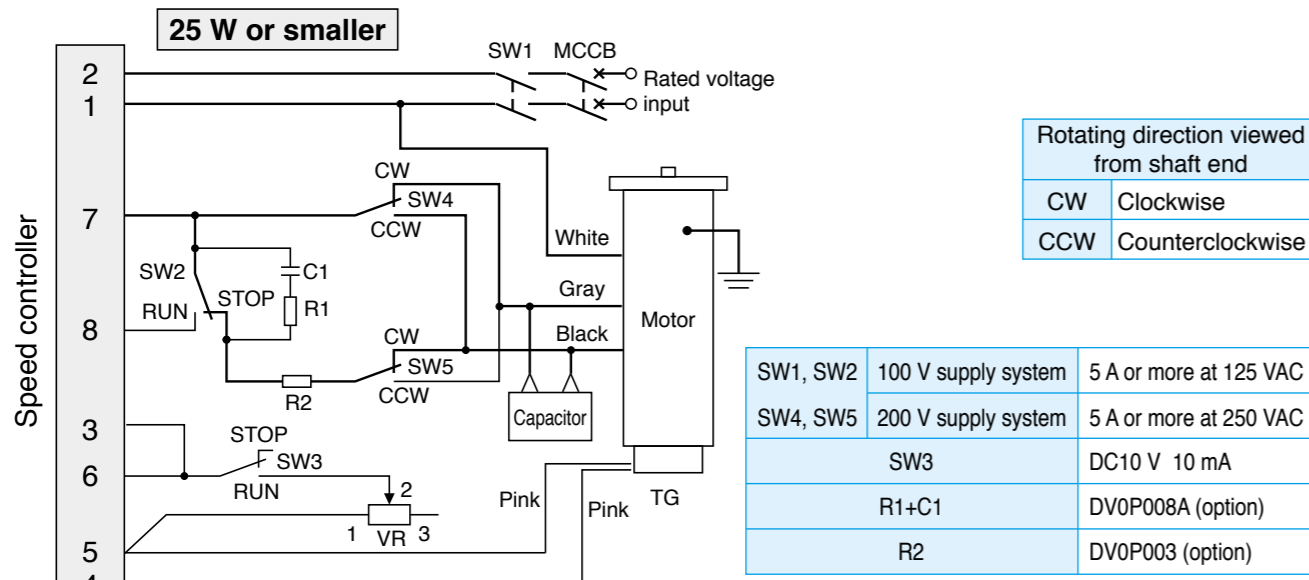
- When no external speed changer is required, the speed can be adjusted from the maximum speed control.



<Precautions>

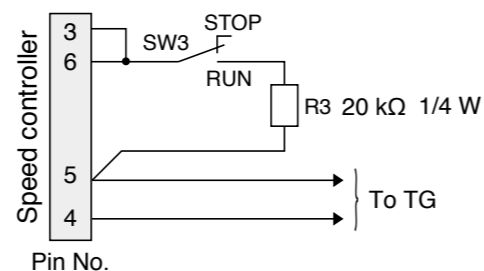
- Connect a fixed resistor (R3) in place of external speed changer (VR).

10 Normal/reverse rotation and electric brake



Operation from maximum speed control

- When no external speed changer is required, the speed can be adjusted from the maximum speed control.



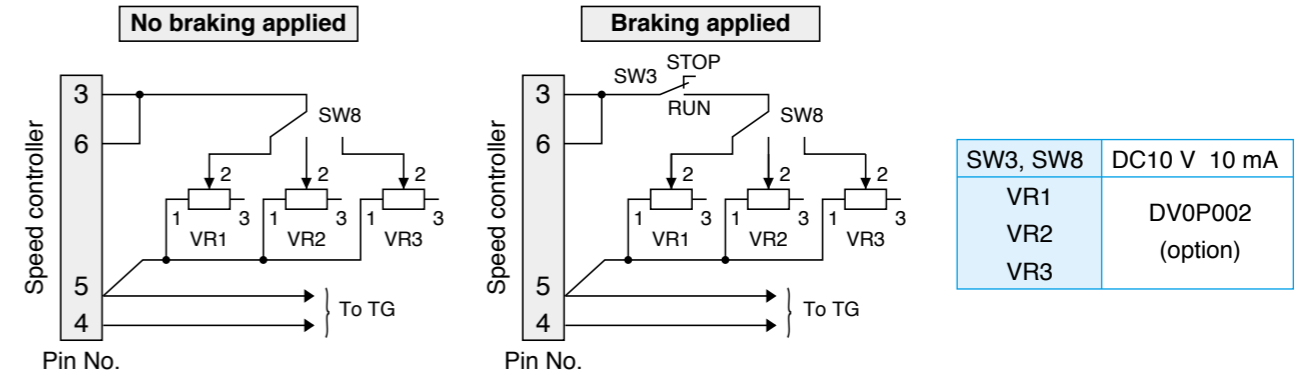
<Precautions>

- Connect a fixed resistor (R3) in place of external speed changer (VR).

<Precautions>

- When SW2 and SW3 are switched from RUN to STOP, electric braking is applied for approx. 5 sec, or until the motor stops. (Do not operate SW4 and SW5 until the motor stops completely.) SW2 and SW3 must be operated simultaneously. Otherwise, abnormal operation occurs (full speed rotation for a short time), causing the motor temperature rises excessively.
- Do not change the rotating direction (SW4, SW5) while the motor is running.
- The number of start/stop cycles must be 6 times/min or less.
- When using cooling fan motor or motor with thermal protector, also see page C-20.
- Insert R1 and C1 to protect relay contact.
- R2 restricts discharge current in case of capacitor short circuit during braking.

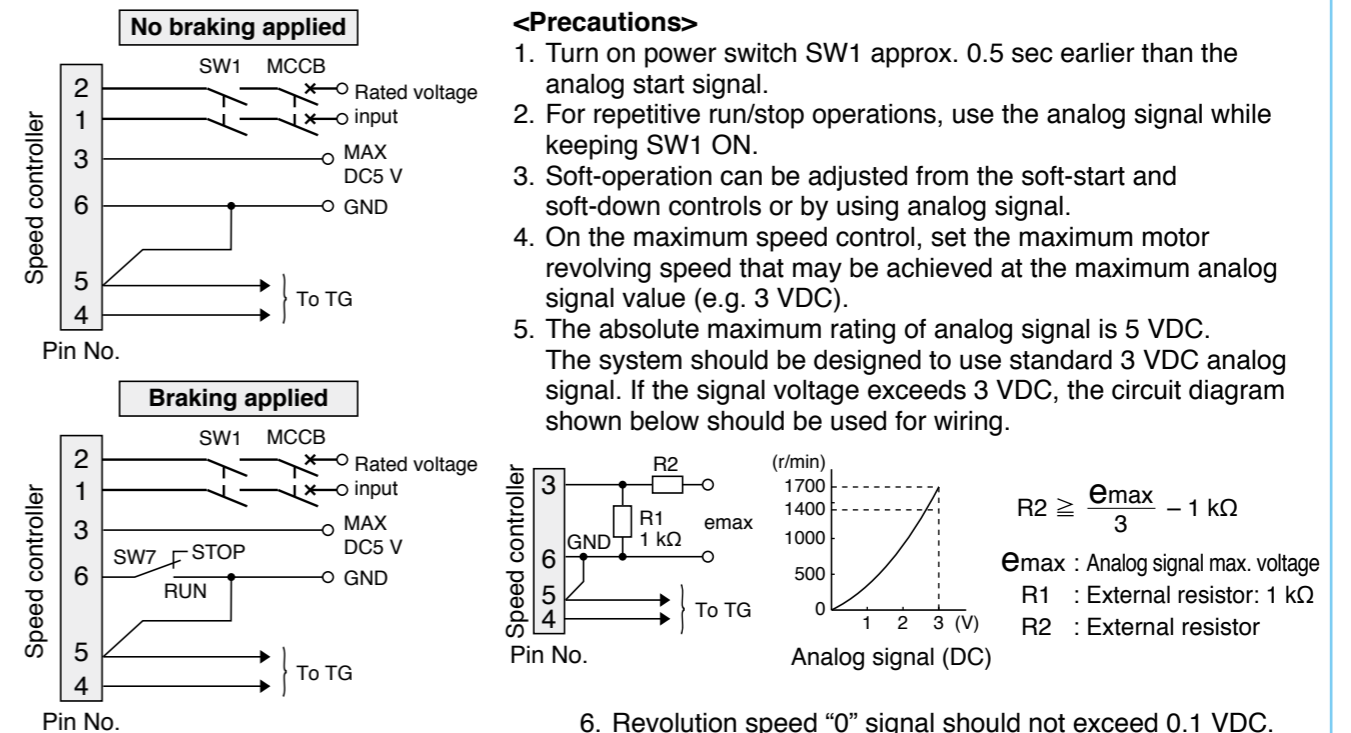
11 Multispeed setting application



<Precautions>

- Set external speed changers VR1, VR2 and VR3 to 3 different speeds and select the desired speed from SW8.
- When activating the brake, simultaneously switch over SW3 and RUN-STOP of other switches.
- For remaining wirings, refer to the corresponding wiring diagrams.

12 Speed change with analog signal

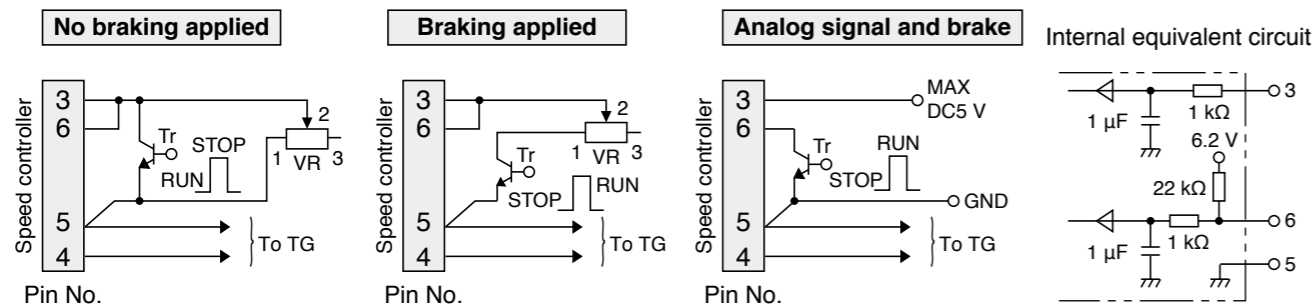


SW1	100 V supply system	5 A or more at 125 VAC
	200 V supply system	5 A or more at 250 VAC
SW7		DC10 V 10 mA

- Revolution speed "0" signal should not exceed 0.1 VDC.
- The input speed pattern (curve) may not be exactly reflected on the motor speed, due to inertial effect of the load, especially during stop sequence.
- The percentage ripple of analog voltage signal should be 2 % or less.
- For other wirings, refer to the corresponding circuit/wiring diagrams.
- When using the braking feature, motor wiring (pins 1, 7 and 8) should be in accordance with pages C-15 and C-16. To activate braking, switch SW2 and SW7 at the same time. If SW2 is in RUN position while SW7 is in STOP, abnormal operation occurs (full speed rotation for a short time); or if SW7 is in RUN position while SW2 is in STOP, motor temperature rises excessively.

13 Operation through contactless signal

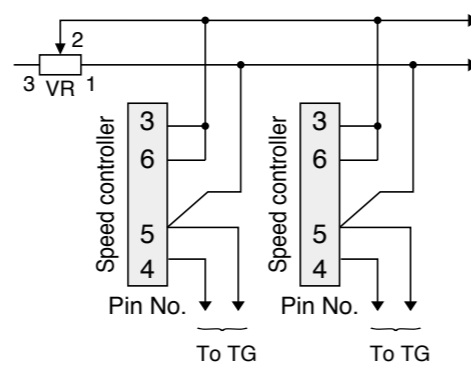
• Small signal relays SW3, SW6 and SW7 can be replaced with transistor.



14 Parallel operation through external speed changer

<Precautions>

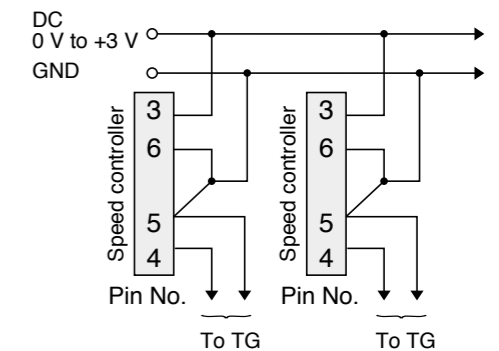
- The resistance R_s of the external speed changer VR should be as follows:
 $R_s = 20/N$ (kΩ)
 where, N is the number of motors.
- For synchronous operation or ratio operation, desired revolving speeds must be set from the maximum speed control. Soft-start and soft-down controls and operation changeover switch must be set to the same position.
- Wirings from the external speed changer VR should be connected to the same pins (No.5 and 6) on the controller.
- Malfunction may occur as the number of devices operated in parallel increases. To secure correct operation, connect a noise filter to each unit.
- For other electrical connections, refer to corresponding circuit/wiring diagrams.



15 Parallel operation through analog signal

<Precautions>

The input impedance of the controller is approx. 100 kΩ. The output impedance of the analog signal source should be determined based on the total input impedance of the speed controllers.



16 Soft-operation

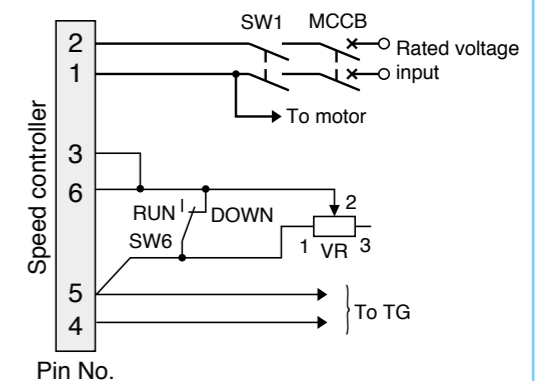
• Soft-start, soft-down

<Precautions>

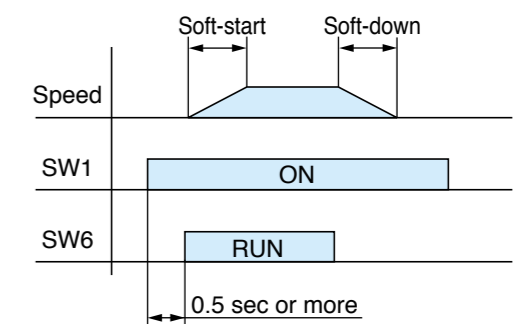
- Power switch SW1 should be turned on approx. 0.5 sec before the operation start signal from SW6.
- When repeating run/stop cycles, turn on/off only SW6 while keeping SW1 turned ON. In this way, the motor can be controlled by using a small signal. To stop operation for a long time, also turn off SW1.
- Soft-start/soft-down period is the time required for the equipment to start up from stop state to full speed when the external speed changer is set at maximum value.
- Soft-start/soft-down control, when at the full clockwise position, disables the soft-down function. As the stop signal is input, power supply to the motor is turned off immediately. However, the revolving speed gradually decreases in proportion to the inertia of the load and motor starts free-running stop sequence.
- Soft-start/soft-down control can set maximum time length of approx. 5 seconds (Typ. at FCCW). The setting may be exceeded if the inertia of the load is too large.
- For other electrical connections, refer to corresponding circuit/wiring diagrams.

• Soft-start and electric brake

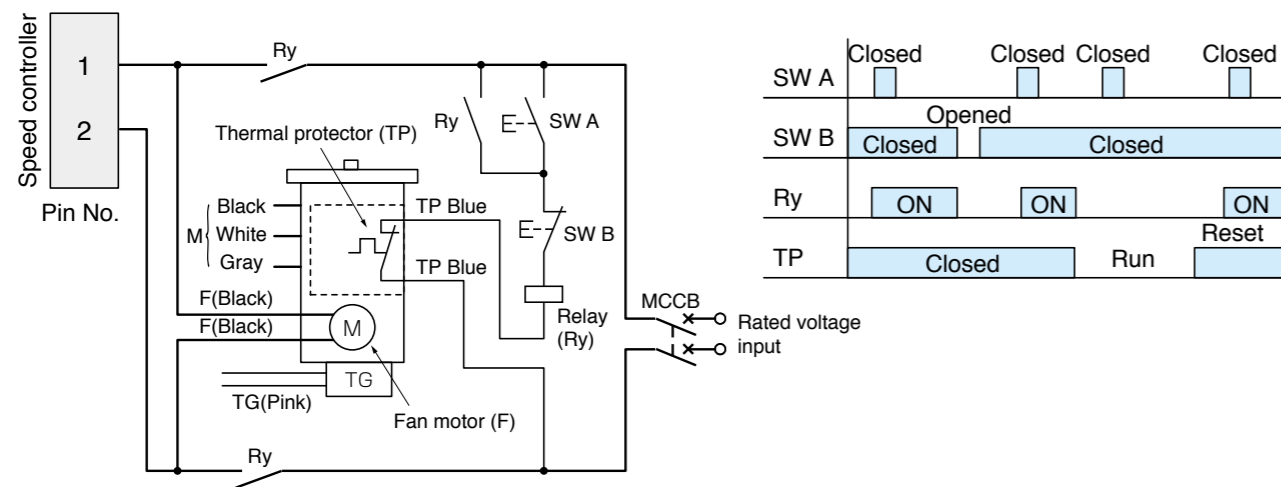
Electrical wirings are the same as for “Unidirectional rotation and electric brake” and “Normal/reverse rotation and electric brake”. Adjust the soft-start time from the soft-start/down control. Motor will stop quickly by electric brake despite the volume settings of soft-down operation.



SW1	100 V supply system	5 A or more at 125 VAC
	200 V supply system	5 A or more at 250 VAC
SW6	DC10 V 10 mA	



17 Wiring of cooling fan motor and motor with thermal protector



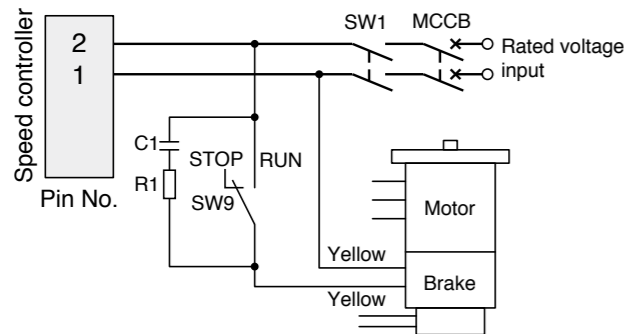
SW A	Momentary N.O. contact	
SW B	Momentary N.C. contact	
Ry	100 V supply system	125 VAC 5 A or more 3a contact
	200 V supply system	250 VAC 5 A or more 3a contact

<Precautions>

1. The thermal protector (TP) is an automatic reset type. To prevent hazards caused by restarting, connect the TP as shown above. Don't connect TP directly to the power supply.
2. Once the TP operates, cooling period is required before the operation can restart.
3. Connect the cooling fan motor (F) across pins 1 and 2 on the power terminal.
4. Motor (M) and tachometer generator (TG) should be connected according to corresponding wiring diagram shown later.

18 Wiring to electromagnetic brake

• Variable speed motor with electromagnetic brake should be wired as shown below.

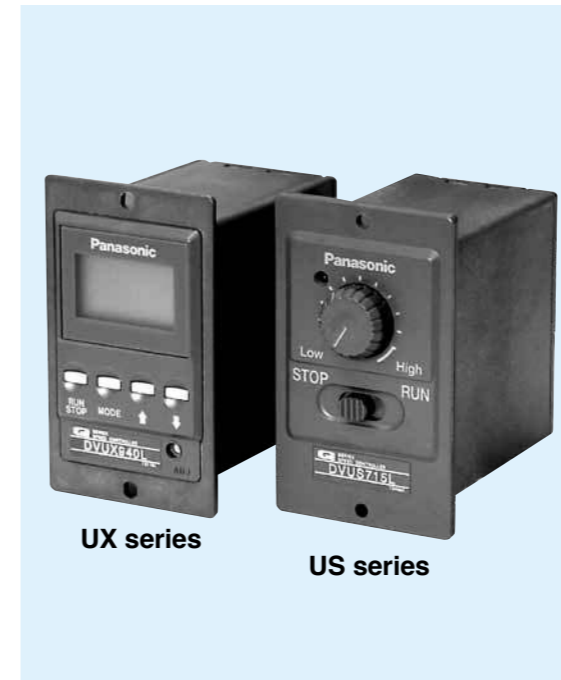


SW1	100 V supply system	5 A or more at 125 VAC
SW9	200 V supply system	5 A or more at 250 VAC
R1+C1	DV0P008A (option)	

<Precautions>

1. SW9 should be switched to RUN or STOP at the same time as the other switches are switched to RUN or STOP.
If the other switches are set to RUN while the brake is energized (SW9 in STOP position), the motor will generate heat.
2. For other wirings, refer to the corresponding circuit/wiring diagrams.
If the application is speed change without using electric braking (page C-14), perform wiring according to "Start/stop control with small signal".

* Please read your User's manual carefully so that you will understand the operation and safety precautions before attempting to operate the system.



• Features

<UX series>

- Provided with quick-connect* socket
- Can be extended up to 5 m through extension cable (option)
- The CPU enables the following various functions:
 1. Digital setting of revolving speeds
 2. Instantaneous conversion of gear head speed and conveyor speed
 3. Digital display of actual speed
 4. Soft-start, soft-down
 5. Backup of setting conditions
 6. Set locking

<US series>

- Provided with quick-connect* socket
- Can be extended up to 5 m through extension cable (option)

* When connected (B-323 page) unit motor.

• UX series

- Please refer to pages B-324 to B-340 to check the specification and combination of motor and speed controller.
- When ordering the motor and speed controller as a set, place an order using the unit model number.

• Part No.

Capacity	Voltage	UX series
6 W	100 V	DVUX606L
	200 V	DVUX606Y
15 W	100 V	DVUX715L
	200 V	DVUX715Y
25 W	100 V	DVUX825L
	200 V	DVUX825Y
40 W	100 V	DVUX940L
	200 V	DVUX940Y
60 W	100 V	DVUX960L
	200 V	DVUX960Y
90 W	100 V	DVUX990L
	200 V	DVUX990Y

• Specification

	UX series
Output	6 W : 15 W : 25 W : 40 W : 60 W : 90 W
Rated voltage	single-phase 100 VAC / single-phase 200 VAC
Power frequency	50 Hz / 60 Hz
Speed control range	90 r/min to 1400 r/min / 90 r/min to 1700 r/min
Speed variation	5 % (standard value)
Speed setting	Digital
Operating temperature	0 °C to 40 °C
Storage temperature	-10 °C to 60 °C
Soft-start/soft-down time	0.1 sec to 30 sec

• The 90 W models contain a thermal protector to prevent burnout for motor.

• US series

- Please refer to pages B-324 to B-340 to check the specification and combination of motor and speed controller.
- When ordering the motor and speed controller as a set, place an order using the unit model number.

• Part No.

Capacity	Voltage	US series
6 W	100 V	DVUS606L
	200 V	DVUS606Y
15 W	100 V	DVUS715L
	200 V	DVUS715Y
25 W	100 V	DVUS825L
	200 V	DVUS825Y
40 W	100 V	DVUS940L
	200 V	DVUS940Y
60 W	100 V	DVUS960L
	200 V	DVUS960Y
90 W	100 V	DVUS990L
	200 V	DVUS990Y

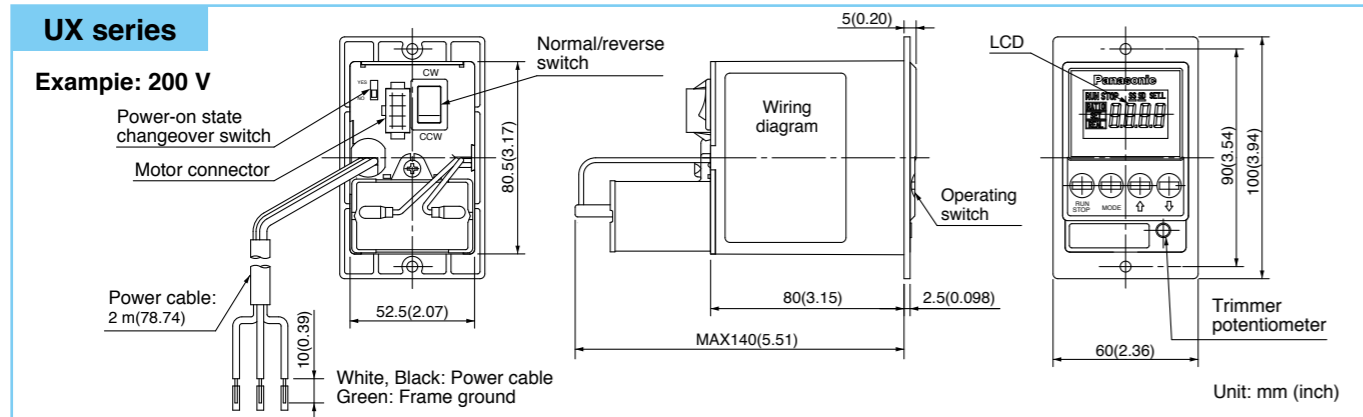
• Specification

	US series
Output	6 W : 15 W : 25 W : 40 W : 60 W : 90 W
Rated voltage	single-phase 100 VAC / single-phase 200 VAC
Power frequency	50 Hz / 60 Hz
Speed control range	90 r/min to 1400 r/min / 90 r/min to 1700 r/min
Speed variation	5 % (standard value)
Speed setting	Analog
Operating temperature	-10 °C to 40 °C
Storage temperature	-20 °C to 60 °C
Soft-start/soft-down time	—

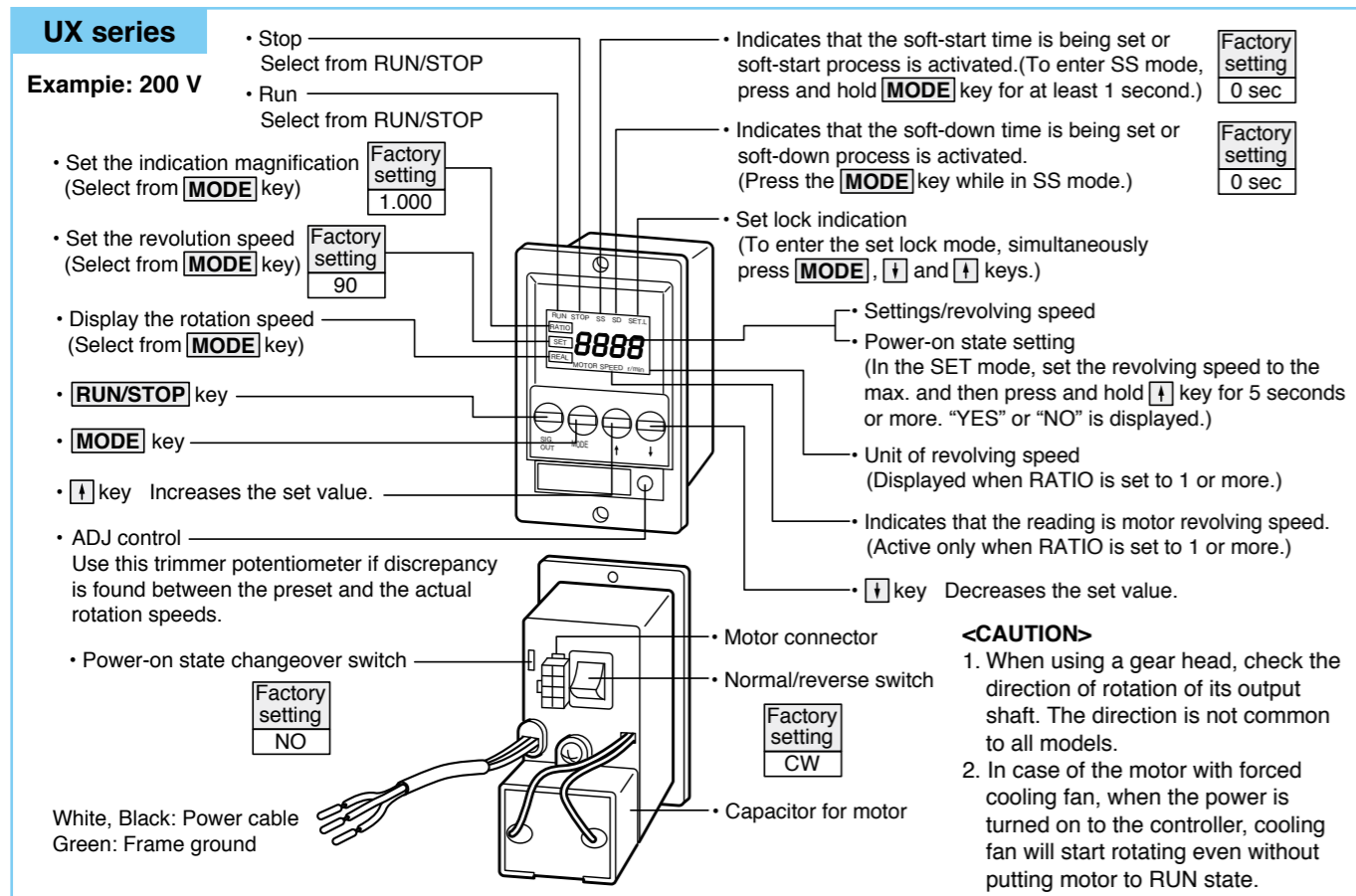
• The 90 W models contain a thermal protector to prevent burnout for motor.

* Please read your User's manual carefully so that you will understand the operation and safety precautions before attempting to operate the system.

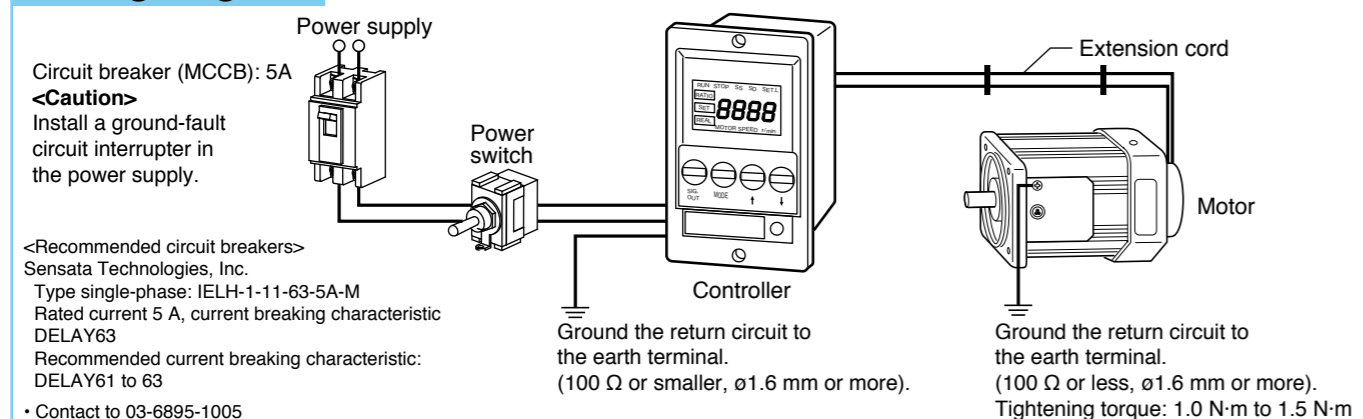
• Outline drawing



• Names and functions



Wiring diagram



* Please read your User's manual carefully so that you will understand the operation and safety precautions before attempting to operate the system.

• Operating method and preparation (UX series)

- Check the Power-on state setting.
- Setting the Normal/reverse switch. (Switch on the back of the controller.)
- Connect the "motor connector".
- Turn on power.
- Setting of display magnification(RATIO mode), rotation speed (SET mode), soft start/down (SS/SD mode).
- Press the RUN key, motor will rotating.

► Power-on state setting

The state of the unit upon power-up can be preset from the power-on state setting switch.

- (1) "YES"
Upon power-on, the unit reproduces the state as it was turned off.

- (2) "NO"
Upon power-on, the unit is in stop mode regardless of the state at the previous power off.
To restart, operate RUN-STOP key.

Previous state	Upon power-on
"STOP"	→ Startup (after approx. 2 sec)
"RUN"	→ Startup (after approx. 2 sec)

Previous state	Upon power-on
"STOP"	→ Stop
"RUN"	→ Stop

• Modes of operation (UX series)

► RATIO mode

By setting the speed in unit of motor revolving speed multiplied by the factor or by displaying the actual speed, gear head output shaft speed or belt conveyor travel speed can be converted. The RATIO mode is used to set the factor.

Selection of indication magnification can be made from **↑** and **↓** keys.

Reduction gear ratio setting value (to display the settings in terms of gear head output shaft speed)
<"SET" or "REAL" reading = motor revolving speed divided by gear reduction settings>

The reduction ratios of Panasonic gear head are stored in the unit, choose the suitable one by using **↑** and **↓** keys:
1.000→3→... 100 ...→202 ...→1000 ...→2020

Multiple number setting value (to display the settings in terms of the speed of belt conveyor)
<"SET" or "REAL" reading = motor revolving speed multiplied by multiplication factor>

Multiplication can be set by the factor of 0.005 to 0.995:
select the desired one from **↑** and **↓** keys.
1.000→0.995→...→0.015→0.010→0.005
(in unit of 0.005)

► SET mode

In this mode, the revolving speed can be set to a value within the range shown below, by using **↑** and **↓** keys.

[With reading magnification 1.000]
Value can be set in unit of 10 r/min.

<Example>

- Power frequency 50 Hz : 90→100→110 ...→1400 r/min
- Power frequency 60Hz : 90→100→110 ...→1400 ...1700 r/min

[With reading magnification other than 1.000]
Readings are based on the reading magnification setting in RATIO mode and gear reduction ratio setting. Desired value can be selected among the values shown below, by using **↑** and **↓** keys.

<Example> Reduction gear ratio = 3
Selection unit is 10/3 r/min. The reading rounds off fraction.

- Power frequency 50 Hz: 29.9→33.3→36.6 ...→466.6 r/min
- Power frequency 60 Hz: 29.9→33.3→36.6 ...→466.6 ...→566.6 r/min

<Example> Magnification = 0.500

Selection unit is 10 x 0.500. The reading rounds off fraction.

- Power frequency 50 Hz: 45.0→50.0→55.0 ...→700.0
- Power frequency 60 Hz: 45.0→50.0→55.0 ...→700.0 ...850.0

[Note] Exception: reading magnification 1.000 "MOTOR SPEED r/min" is displayed. Only "r/min" is displayed when the value exceeds 1.000. Otherwise, nothing is displayed.

► REAL mode

In the REAL mode, motor's real revolutions multiplied by the reading magnification is displayed.

[Reading magnification 1.000]
The speed is displayed in unit of 5 r/min.

<Example>

- 0→5 ...→90→100→110 ...→1400 ...→1700 r/min

[With reading magnification other than 1.000]
Readings are based on the reading magnification setting in RATIO mode and gear reduction ratio setting.

<Example> Reduction gear ratio = 3
Selection unit is 5/3 r/min. The reading rounds off fraction.

- 0→1.6 ...→29.9→33.3→36.6 ...→466.6 ...→566.6 r/min

<Example> Magnification = 0.500

Selection unit is 10 x 0.500. The reading rounds off fraction.

- 0→2.5 ...→45.0→50.0→55.0 ...→700.0 ...→850.0

[Note] Exception: reading magnification 1.000 "MOTOR SPEED r/min" is displayed. Only "r/min" is displayed when the value exceeds 1.000. Otherwise, nothing is displayed.

* Please read your User's manual carefully so that you will understand the operation and safety precautions before attempting to operate the system.

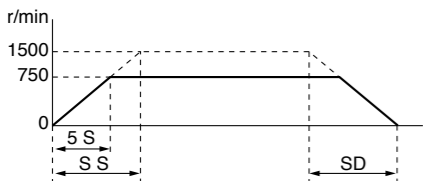
Speed controller Unit type UX series

► Soft start (SS) / Soft down (SD) setting mode

To enter SS mode, press and hold MODE key for at least 1 second. To enter SD mode, press the MODE key while in SS mode.

The Soft start · Soft down time in each mode to be set individually, and you can select a value by \uparrow and \downarrow key. In unit of 0.1 sec, up to 30 sec.

Note 1) Soft start (SS) · Soft down (SD)



The Soft start · Soft down time is defined as the time required to change revolving speed between 0 r/min and 1500 r/min.

<Example>

When the soft-start time is set to 10 seconds and “SET” revolving speed is 750 r/min, then,

$$10 \times \frac{750 \text{ r/min}}{1500 \text{ r/min}} = 5$$

This means that 5 seconds are required to change from 0 r/min to 750 r/min. The same applies to “SD”.

Note 2)

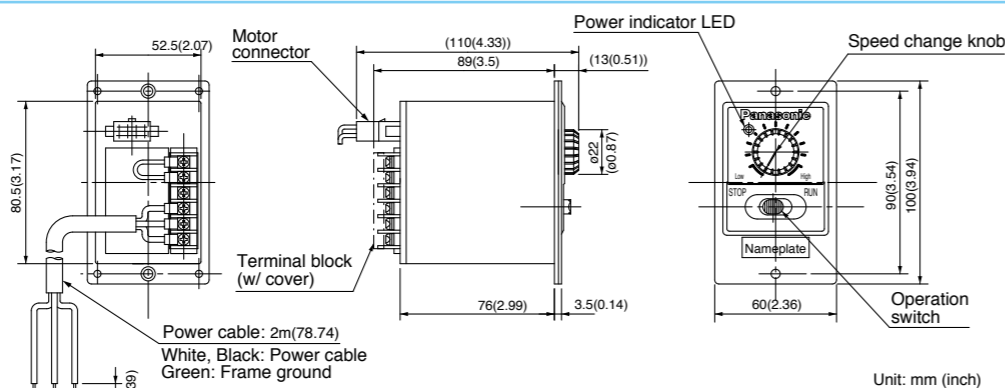
In the practical application, speed change time will be longer than the Soft start · Soft down time if the load inertia is large.

Speed controller Unit type US series

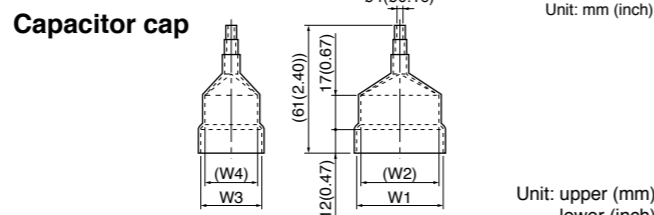
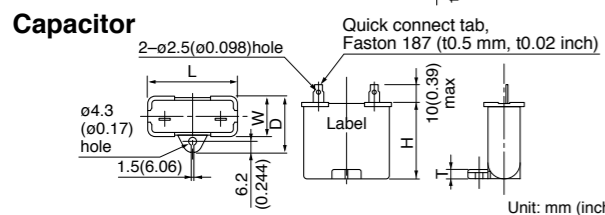
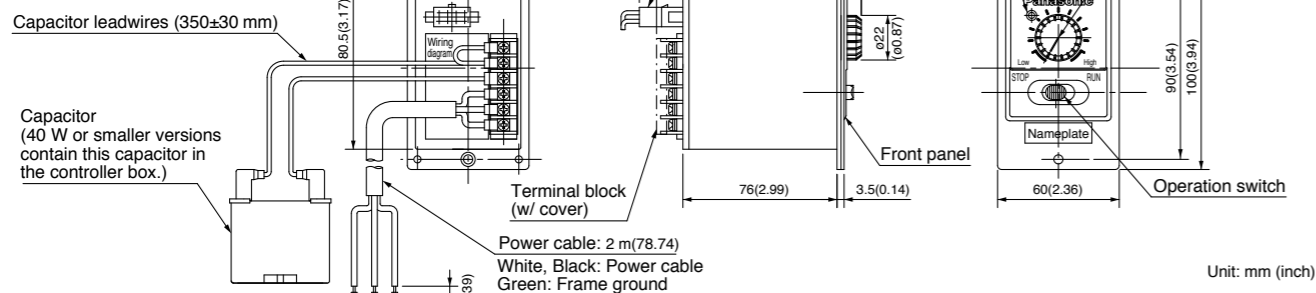
• Outline drawing

US series

• 40 W or smaller
(w/ internal capacitor)
Example: 200 V



• 60 W or larger
Example: 200 V



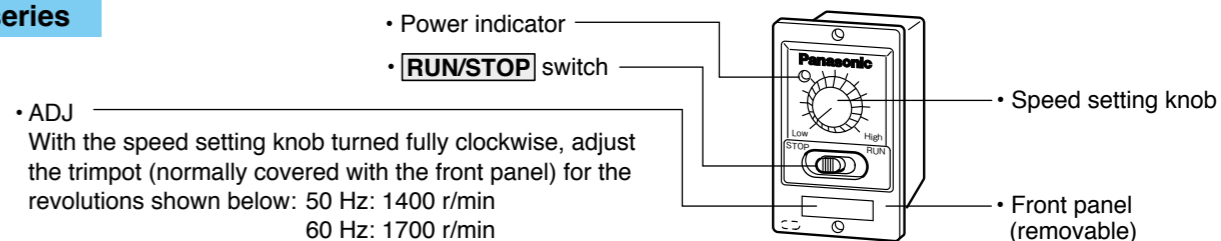
Capacitor part No.	Voltage	Designation	L	W	D	H	T	Capacitor cap part No.	W1	W2	W3	W4
M0PC20M20	100 V	MUSN960GL	50.2 (1.98)	26.7 (1.05)	37 (1.46)	36 (1.42)	4 (0.16)	M0PC5026	50 (1.97)	48 (1.89)	26 (1.02)	22 (0.87)
M0PC5M40	200 V	MUSN960GY	50 (1.97)	30.5 (1.20)	41 (1.61)	41.5 (1.63)	4 (0.16)	M0PC5032	50 (1.97)	48 (1.89)	32.5 (1.28)	29.5 (1.16)
M0PC25M20	100 V	MUSN990GL	50.2 (1.98)	31 (1.22)	41 (1.61)	42 (1.65)	4 (0.16)	M0PC5032	50 (1.97)	48 (1.89)	32.5 (1.28)	29.5 (1.16)
M0PC6.2M38	200 V	MUSN990GY	50 (1.97)	30.5 (1.20)	41 (1.61)	41.5 (1.65)	4 (0.16)	M0PC5032	50 (1.97)	48 (1.89)	32.5 (1.28)	29.5 (1.16)

* Please read your User's manual carefully so that you will understand the operation and safety precautions before attempting to operate the system.

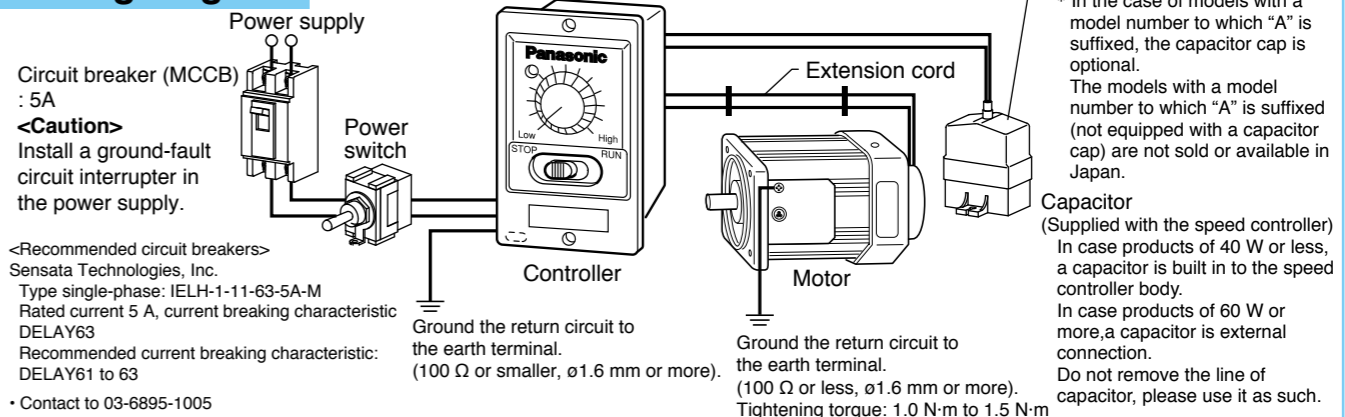
Speed controller Unit type US series

• Names and functions

US series



Wiring diagram



• Operating method (US series)

1. Connect the “motor connector”.
2. Make sure that the **RUN/STOP** switch is in “STOP” position. Connect the power cable to the AC source.
3. Turn on power. “Power” indicator will light.
4. Place the **RUN/STOP** switch in “RUN” position, and the motor starts.
CAUTION: Do not place the switch lever in between RUN and STOP.
5. To stop the motor, move the lever to “STOP” position.
Note that the **RUN/STOP** switch does not turn on/off power supply: when not using the motor for a long period, turn off the main power switch.
6. If there is a forced cooling fan equipped to the motor, the fan will start rotating when power is turned on to the controller. In order to stop the forced cooling fan, please turn off the source of power to the controller.

• Changing direction of rotation (US series)

• Unidirectional rotatio

Terminal “CW” or “CCW” on the controller rear panel should be left open.

Direction when viewed from motor output shaft end	
Clockwise	Connect COM to CW
Counterclockwise	Connect COM to CCW

[Note]
When a gear head is connected, the direction of its output shaft may or may not be the same as that of motor shaft depending on the reduction ratio.

• Normal/reverse rotation

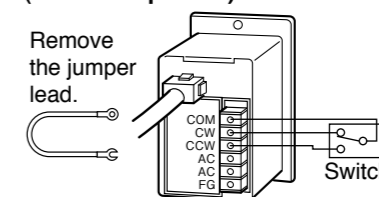
When it is necessary to select the rotating direction, connect the switch as shown in the figure.

[Note]

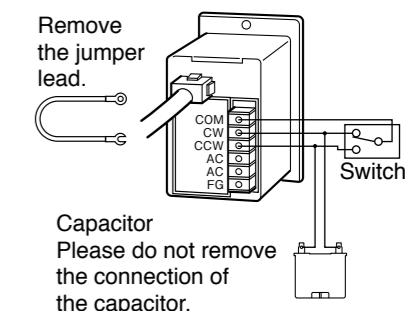
Do not operate this switch while the motor is running.

Switch specification	
• Single-pole double-throw: ON-OFF-ON	
• 100 V power: 5 A at 200 VAC or more	
• 200 V power: 3 A at 400 VAC or more	

40 W or smaller (Built-in capacitor)



60 W or larger



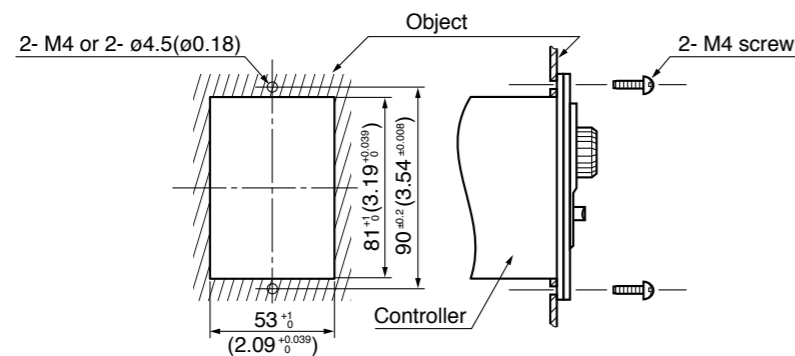
* Please read your User's manual carefully so that you will understand the operation and safety precautions before attempting to operate the system.

• Mounting method (UX series, US series)

<Mounting through square holes>

UX series, US series

Unit: mm (inch)



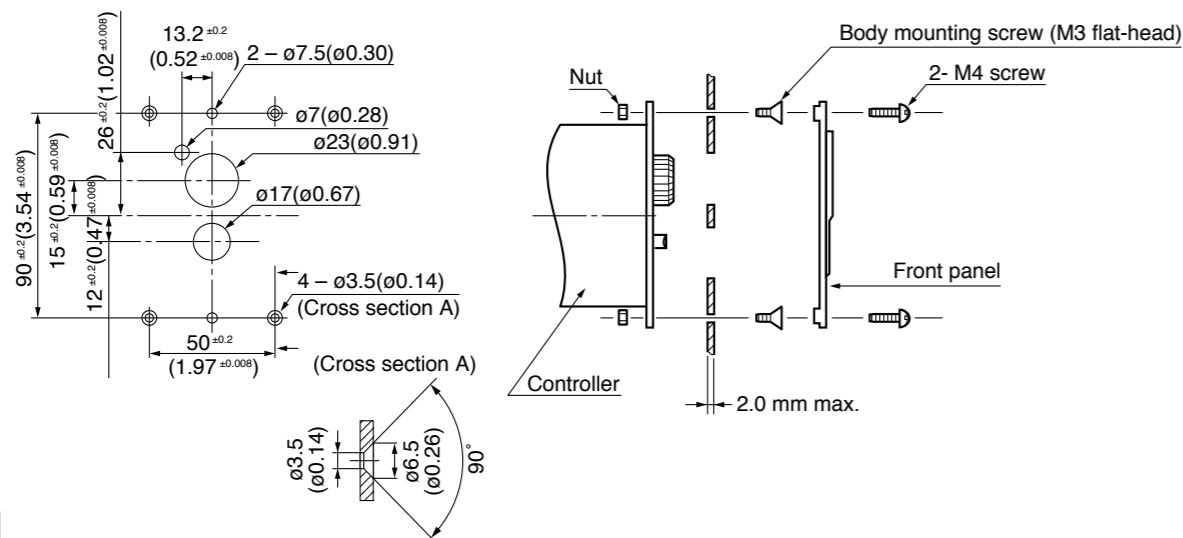
Mounting procedure

1. Drill 2 square holes in the object.
2. Secure the controller and front panel with 2 M4 screws.

<Mounting without using square hole>

US series only

Unit: mm (inch)



Caution

Wall thickness of the equipment where the controller is to be mounted should be 2 mm or less.

Mounting procedure

1. Drill 2 square holes in the wall of the object.
2. Remove the front panel from the controller.
3. Secure the controller body with M3 flat-head screws and nuts.
4. Place the front panel on the wall and secure the panel with M4 screws and nuts.

<To install controller and motor separately>

When installing the speed controller at a distance more than 1 m from the motor, use optional "extension cord" that is supplied as standard accessory (allowable distance 5 m). Refer to page D-4 (Option).

* Please read your User's manual carefully so that you will understand the operation and safety precautions before attempting to operate the system.



• Features

- Extremely compact and low noise (compared with preceding models).
- Can control 3-phase 200 V motor by using single-phase 100 V power (use of voltage doubler). Single-phase 200 V version is available.
- Easy to operate control knob.
- External normal/reverse switches.
- Applicable to only 3-phase motors.

• Standard specification

Part number		M1G4A1V1X	M1G9A1V1X	M1G4A2V1X	M1G9A2V1X	
Output rating	Applicable motor (W)	*1	25/40	60/90	25/40	60/90
	Output volt-ampere (kVA)	*2	0.11/0.16	0.19/0.27	0.11/0.16	0.20/0.28
	Rated output current (A)		0.28/0.4	0.49/0.7	0.28/0.4	0.49/0.7
	Rated output voltage		3-phase 200 VAC to 220 VAC		3-phase 200 VAC to 230 VAC	
	Voltage		Single-phase 100 VAC to 110 VAC		Single-phase 200 VAC to 230 VAC	
Power source	Permissible voltage variation	±10 %				
	Frequency	50 Hz/60 Hz ±5 %				
	Controlling system	Low noise sine-wave PWM				
Control method	Output frequency range	*3	1.0 Hz to 120 Hz (factory setting: 60 Hz)			
	Acceleration/deceleration time setting	*4	0 sec to 30 sec			
	Overload current rating		150 % 1 min.			
	Regenerative braking torque	*5	Short time average deceleration torque 100 %			
	Frequency setting		Panel control			
	Operation switch, normal/reverse switch		Panel switch			
	External signal		(input): operation instruction, normal/reverse instruction, free-run stop; (output): abnormal signal			
Protective function		Undervoltage, overcurrent, overvoltage, instantaneous power interruption, stall, overload shutdown, self-diagnosis trip				
	Electronic-thermal	25 W/40 W	60 W/90 W	25 W/40 W	60 W/90 W	
Protective construction	Ambient temperature	-10 °C to +40 °C (no freezing)				
	Ambient humidity	90 % RH (no dewing)				
	Atmosphere	Indoor (free from foreign objects such as corrosive gas and dust)				
	Altitude	Up to 1000 m				
Protective construction		Closed type (IP20)				

*1. Panasonic 3-phase compact geared motors MoM series 4 models.

*2. Measured at rated output voltage at 220 V (M1GoA1V1X), 230 V (M1GoA2V1X).

*3. When using a gear head, keep the output frequency 60 Hz, or below.

*4. When set to "0", actual time is 0.05 sec.

*5. Regenerative braking torque refers to a short-time averaged deceleration and not a continuous torque. Deceleration at a frequency higher than the fundamental frequency provides lower torque. No internal braking resistor is provided.

*6. Electromagnetic brake power supply voltage of the motor with an electromagnetic brake please use the AC230 V from AC200 V.

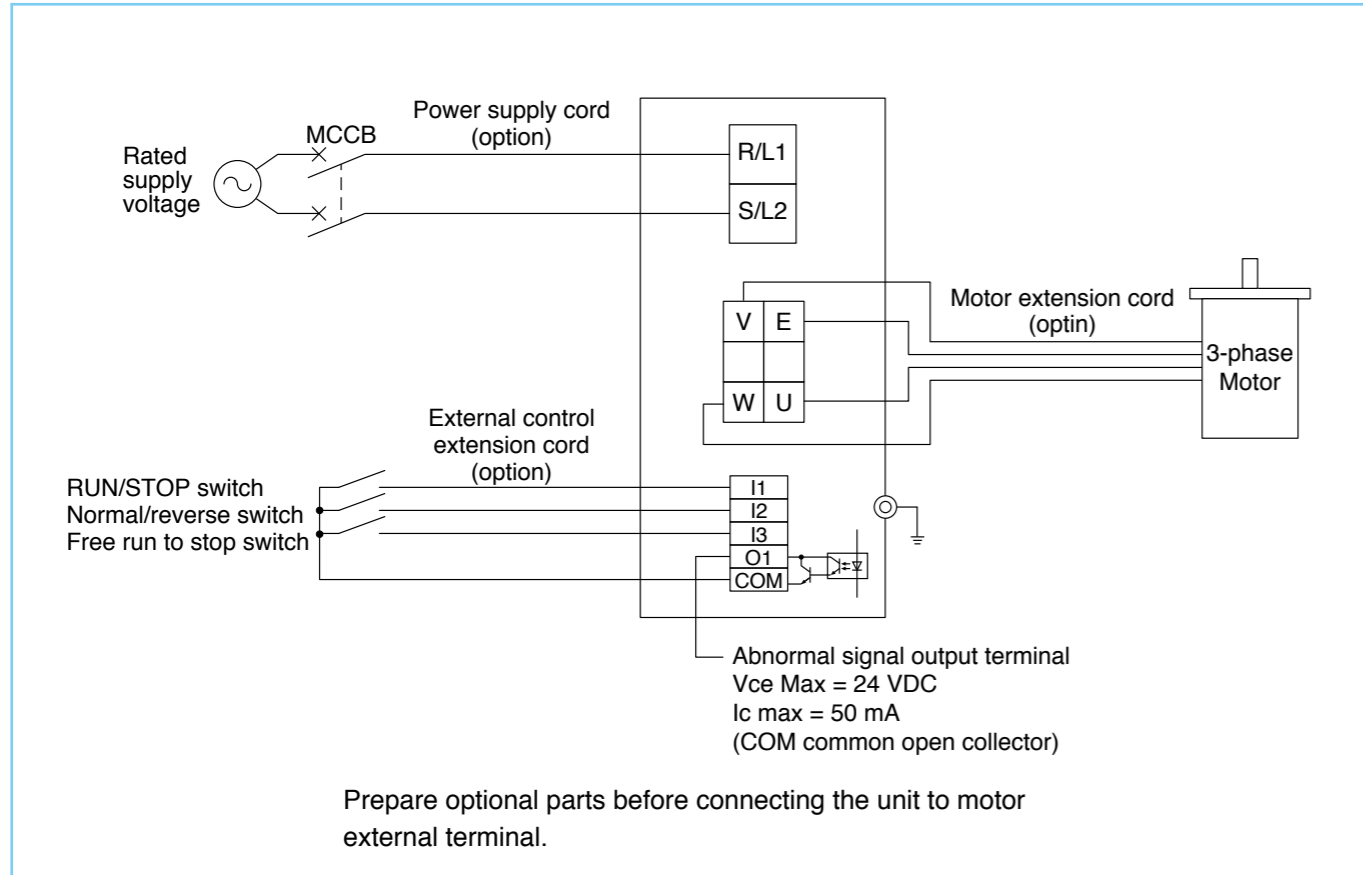
Please do not use the output of the inverter for the power supply of the electromagnetic brake.

There is when the brake can not be released.

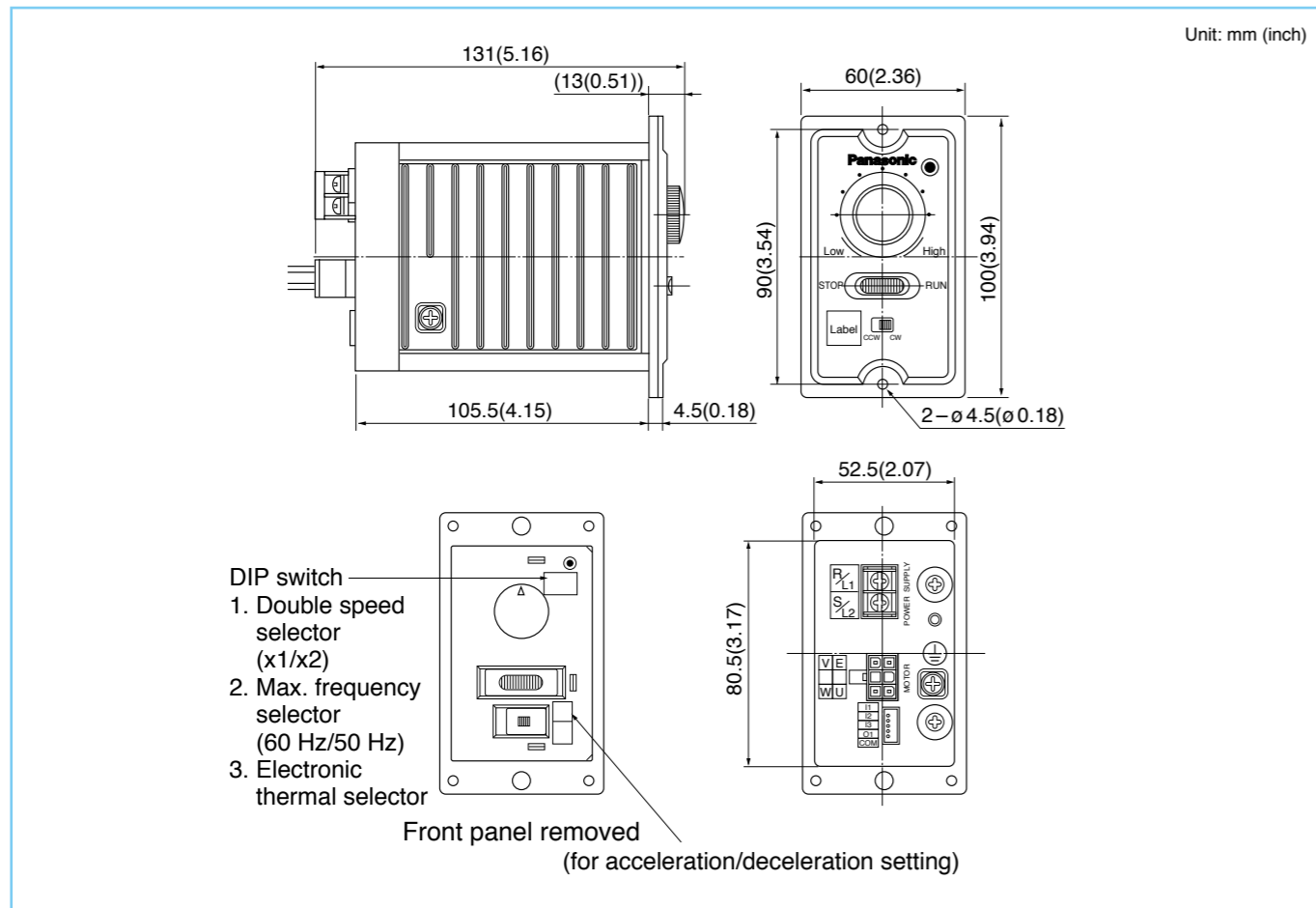
* Before using the product, carefully read through "Instruction manual" to understand the safety precautions and operation of it.

* Please read your User's manual carefully so that you will understand the operation and safety precautions before attempting to operate the system.

• Layout drawing

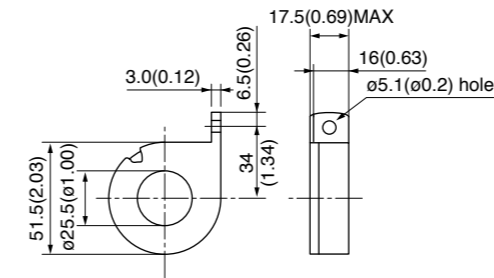


• Outline drawing

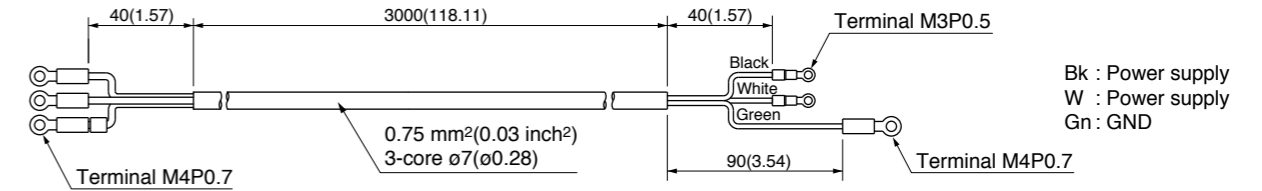


• Option

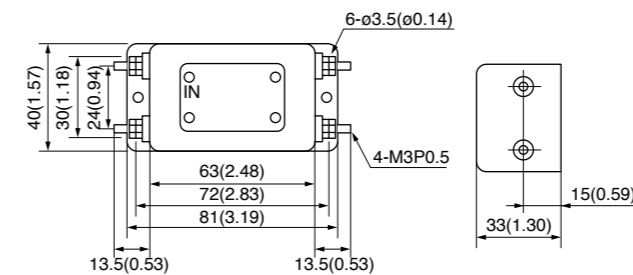
• Data line filter (DV0P031)



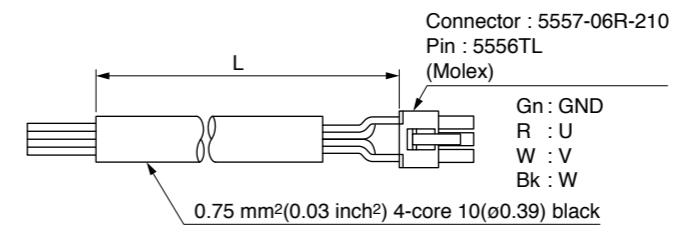
• Power supply cord (DV0P137)



• Noise filter (DV0P140)

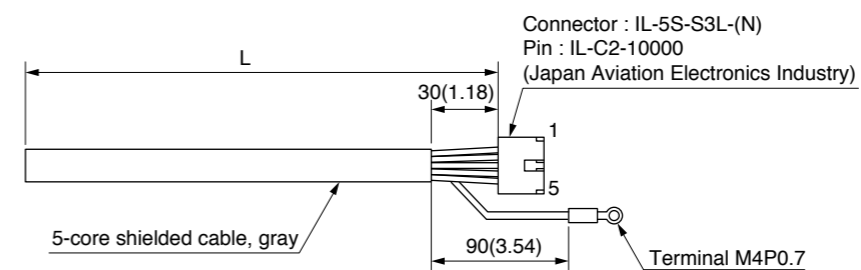


• Motor extension cord



Option part No.	L : m (inch)
DV0P13802	2(78.74)
DV0P13803	3(118.11)
DV0P13805	5(196.85)

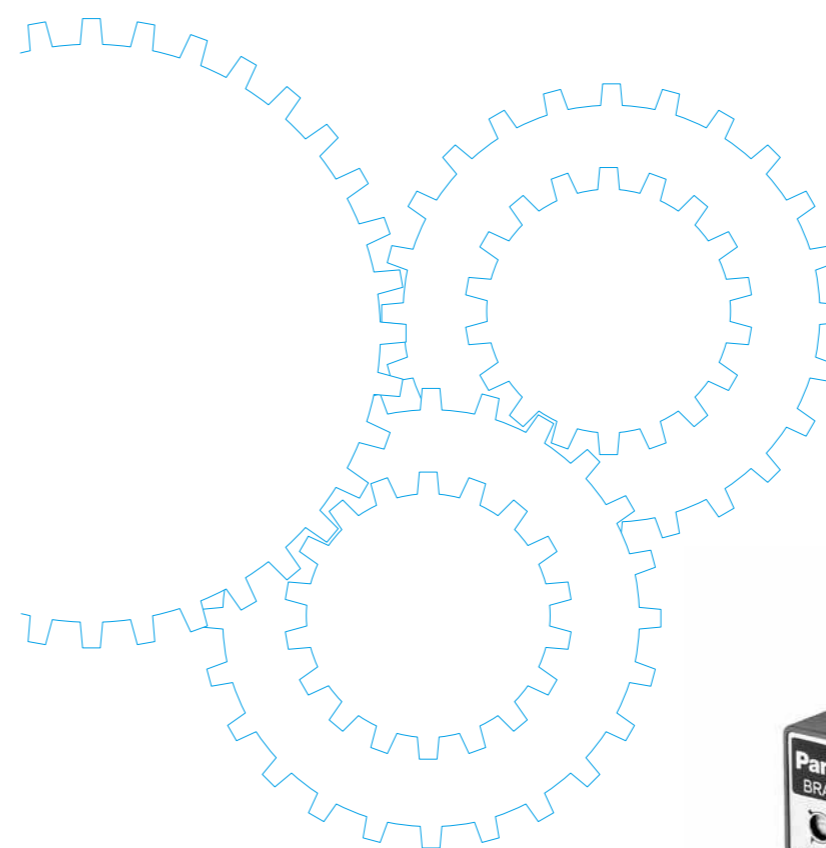
• External control extension cord



Option part No.	L : m (inch)
DV0P13902	2(78.74)
DV0P13903	3(118.11)
DV0P13905	5(196.85)

Connector Pin No.	Conductor color	Terminal symbol
5	W	I1
4	R	I2
3	Bk	I3
2	Y	O1
1	Gn	COM

Brake Unit



Contents

- Brake Unit Overview C-32
- Product information C-33

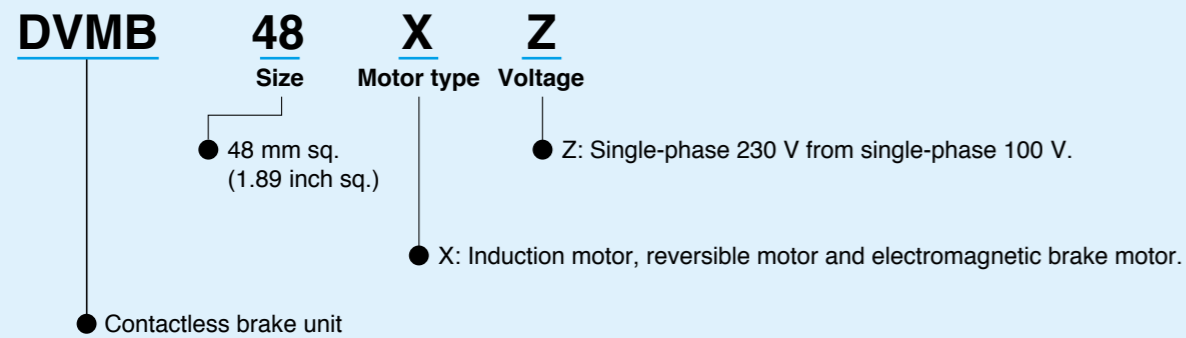
This product is for industrial equipment. Don't use this product at general household.

Outline of Brake Unit

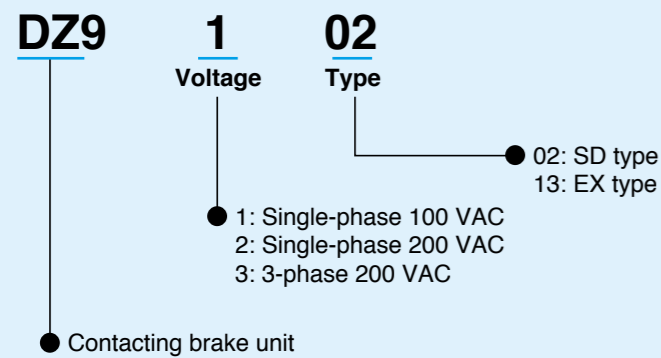
- These units are electric brakes that can stop motor immediately.
- These brake units are divided into the contactless brake unit MB48X type and contact brake unit SD type EX types .
- The contacting type brake units can be used with 3-phase motor.
- The contactless MB48X type brake units can be used with induction motor, reversible motor and electromagnetic brake motor.
- The MB48X type, input supply is compatible with a wide range of single-phase 230 V from single-phase 100 V.

Product designation

• Contactless brake unit MB48X type

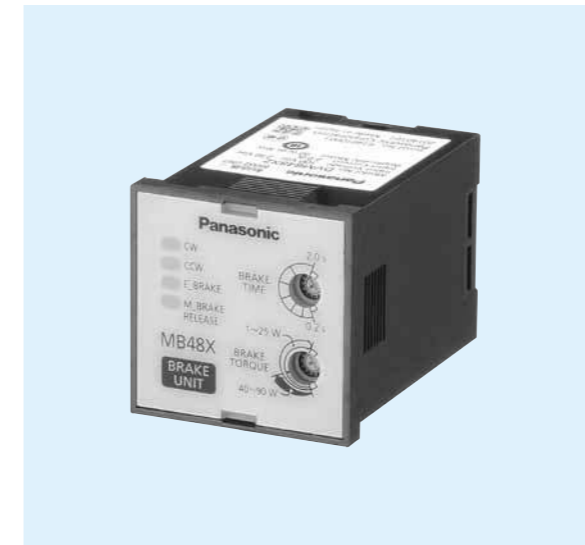


• Contacting brake unit SD type, EX type



Brake Unit

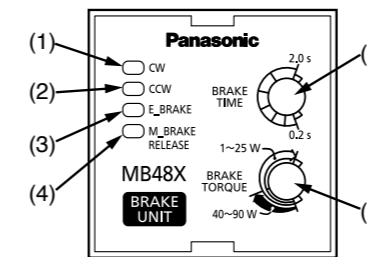
Contactless brake unit MB48X type



• Features

- **Maintenance-free**
Contactless configuration requires no maintenance.
- **Can support to a wide motor capacity**
It can support up to 90 W from 1 W.
Brake resistor is not required and wiring is simplified.
- **Easier standardization of panel design**
Control panel can be sized to DIN standard at lower total cost.
- **Adjustment of the electric brake became easy.**
Brake time, brake torque can be adjusted steplessly, brake resistance is not required.

• Part Names and Functions



Name	Function
(1) CW lamp	Lights when motor is turning clockwise when viewed from output shaft.
(2) CCW lamp	Lights when motor is turning counterclockwise when viewed from output shaft.
(3) E_BRAKE lamp	Lights when the electric brake is operating.
(4) M_BRAKE RELEASE lamp	Lights when the electromagnetic brake is energized, releasing braking.
(5) Braking time control volume	Adjust the operating time of electric brake in response to inertia of the load.
(6) Braking torque control volume	To increase the braking torque, turn the knob CW. For a motor sized between 40 W and 90 W, adjust the torque within the range indicated by the black arrow.

• Specification

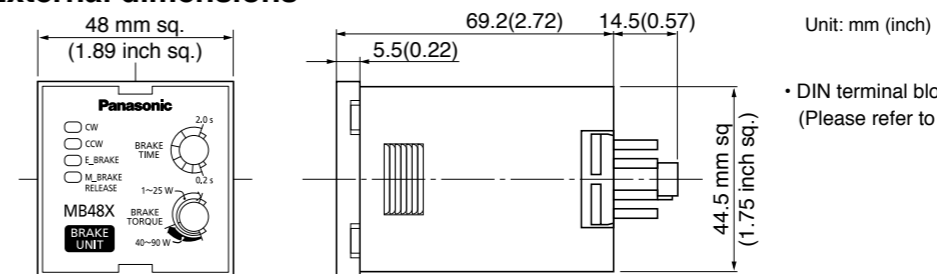
DVMB48XZ	
Rated Voltage	Single-phase AC100 V to AC230 V
Allowable power fluctuation range	±10 %
Power supply frequency	50 Hz/60 Hz
Control input voltage	DC24 V (±10 %)
Off-state voltage	DC3 V or higher
Ambient temperature	-10 C° to +40 C° (no freezing) *1
Ambient humidity	20 % to 85 % RH (no dewing)
Altitude	1000 m or lower
Vibration	5.9 m/s ² or below (10 Hz to 60 Hz)
Storage temperature, storage humidity	Normal temperature*2. Normal humidity
Basic function	Run/stop, normal/reverse rotation using the same wiring *3, instantaneous stop with electric brake, electromagnetic brake control
Applicable motor	Induction motor, reversible motor and electromagnetic brake single phase motor. 90 W from 1 W *4
Braking time setting range	Stepless regulation between 0.2 sec and 2.0 sec
Braking torque regulation	Stepless regulation
Protection degree	IP20 or equivalent
Mass	130 g

- *1: Measured at a point 5 cm from brake unit body.
- *2: -20 C° to +60 C° (no freezing) for a short period (a few days) of transportation
- *3: Exclude induction motor (compatible with Japanese standards).
- *4: The unit cannot be used with Sq.42 mm size geared motor.

Note

1. Electric braking system has no holding torque.
2. For application requiring larger holding force, use Panasonic electromagnetic brake motor.
3. When braking a load with excessively large inertia, related issues are strength and life of motor shaft and gear. For these subjects, consult us.
4. When using motor other than compact geared motor, consult us.

• External dimensions

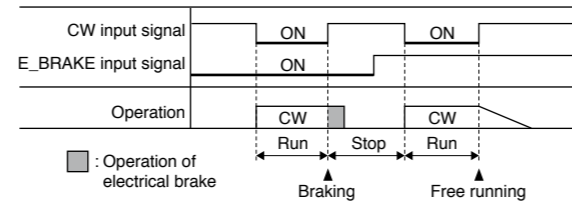
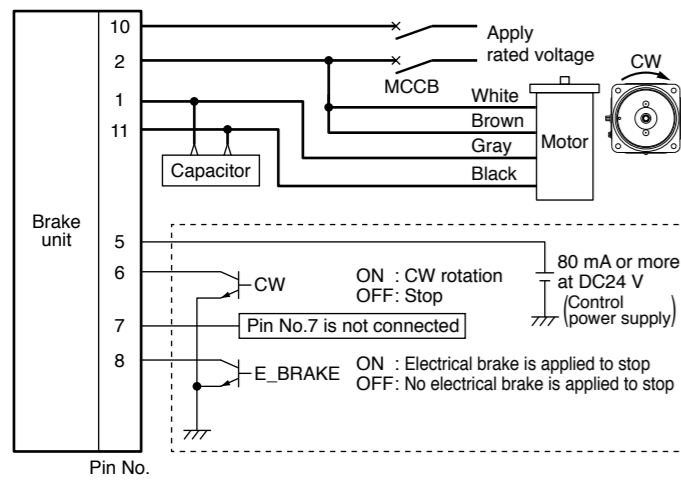


- DIN terminal block or Cap is not supplied with the product. (Please refer to page D-5 Recommended terminal.)

* Please read your User's manual carefully so that you will understand the operation and safety precautions before attempting to operate the system.

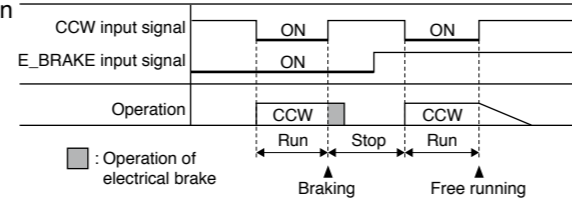
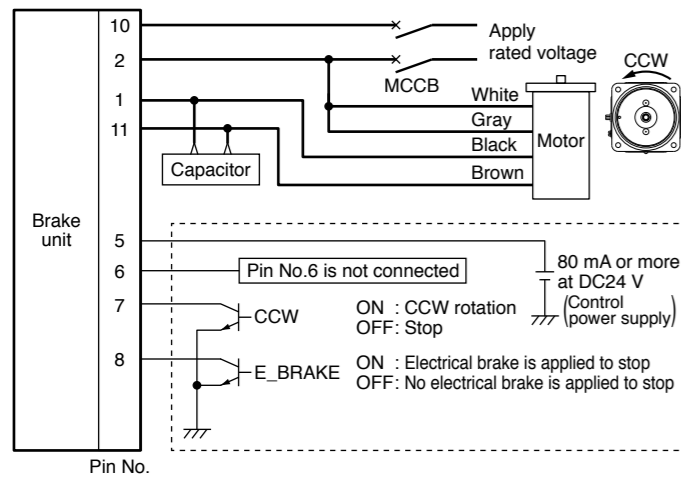
• Standard electrical wiring diagram

• Induction motor (compatible with Japanese standards) CW rotation



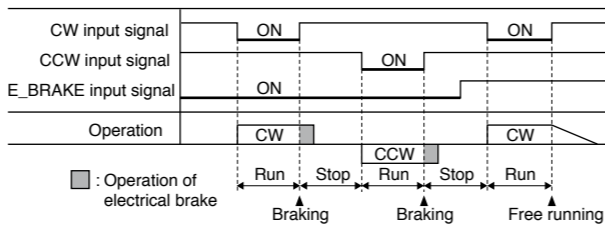
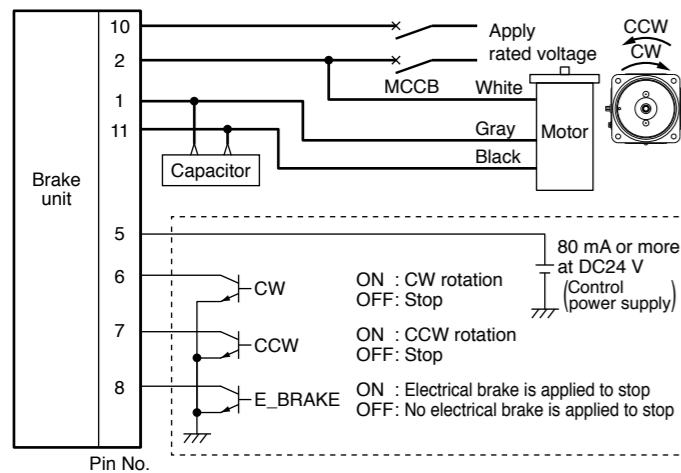
- Notes:
- Number of motors that can be connected to the brake unit is only one.
 - The thick solid lines represent main circuit. Use conductor of size 0.5 mm² or larger for the main circuit.
 - Leave pins 3, 4, 7 and 9 unconnected. (These pins are not isolated from the internal circuit.)
 - According to this wiring diagram, the motor rotates clockwise (CW) when viewed from the end of shaft. Note that output shaft of the gear head may rotate CCW.
 - The CW lamp lights while the motor is running.

• Induction motor (compatible with Japanese standards) CCW rotation



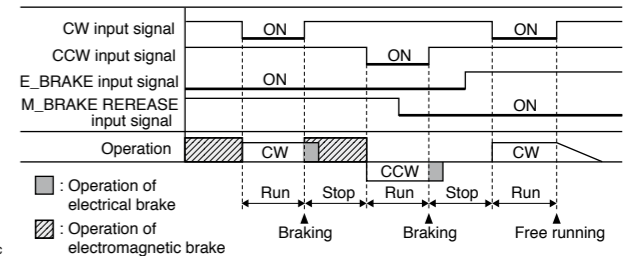
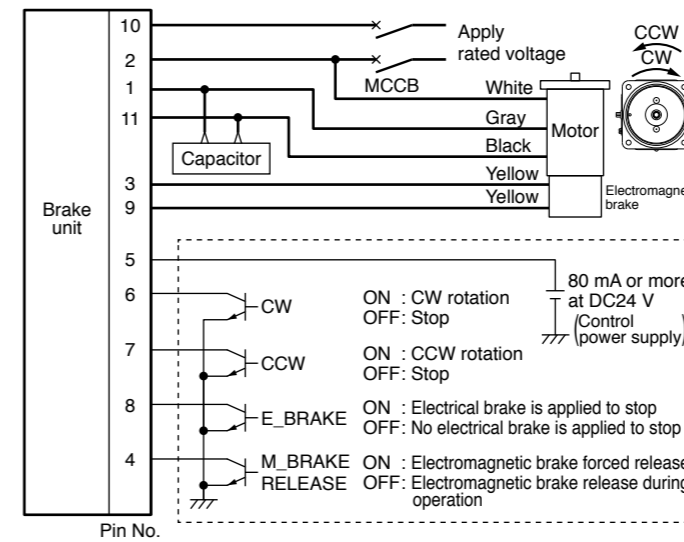
- Notes:
- Number of motors that can be connected to the brake unit is only one.
 - The thick solid lines represent main circuit. Use conductor of size 0.5 mm² or larger for the main circuit.
 - Leave pins 3, 4, 6 and 9 unconnected. (These pins are not isolated from the internal circuit.)
 - According to this wiring diagram, the motor rotates counterclockwise (CCW) when viewed from the end of shaft. Note that output shaft of the gear head may rotate CW.
 - The CCW lamp lights while the motor is running.

• Induction motor (compatible with international standards) Reversible motor



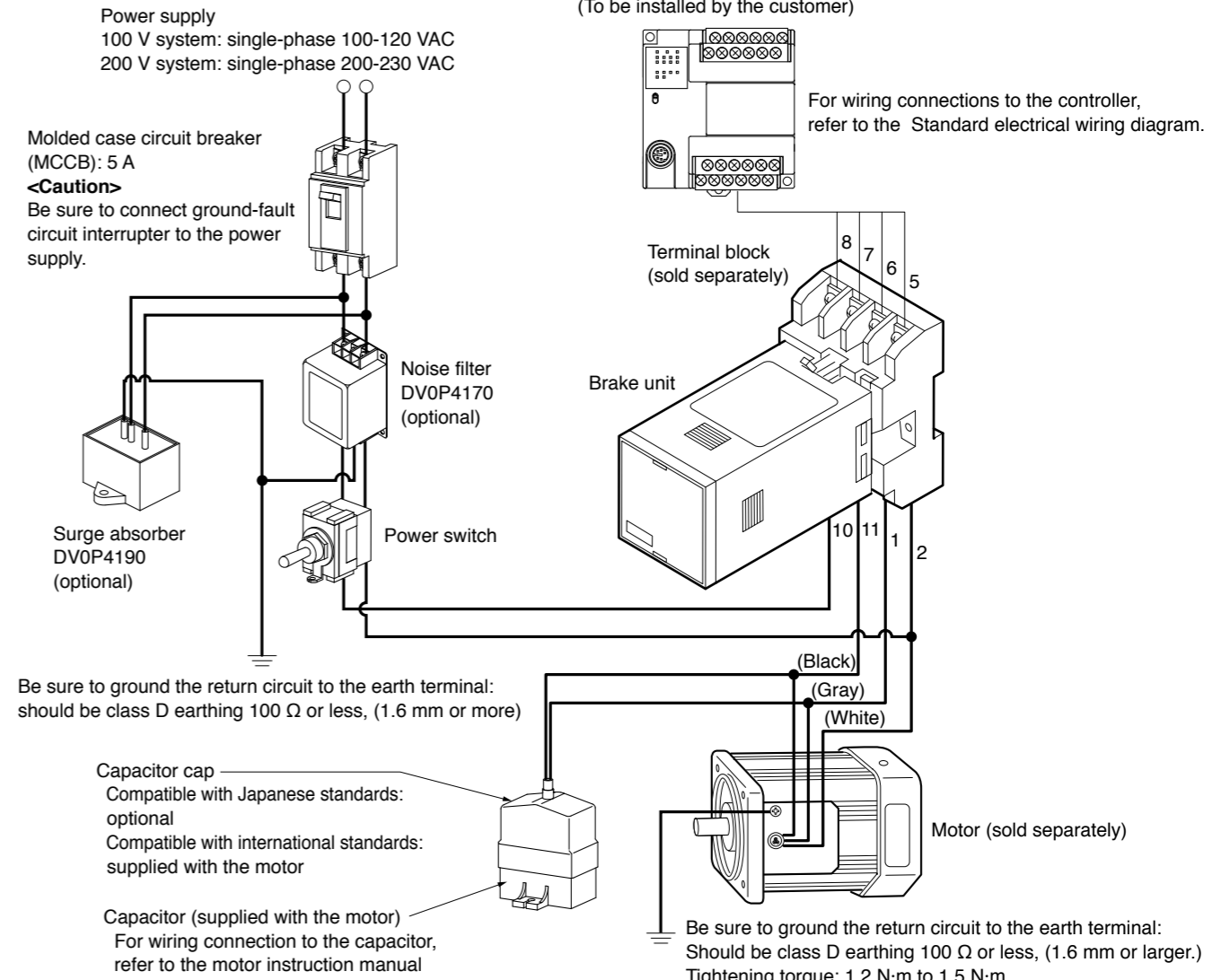
- Notes:
- Number of motors that can be connected to the brake unit is only one.
 - The thick solid lines represent main circuit. Use conductor of size 0.5 mm² or larger for the main circuit.
 - Do not input CW rotation signal and CCW rotation signal at the same time. Otherwise, both signals cause application of excessive power to the motor to burn out.
 - Do not input rotating direction change signal or the operation instruction while the electrical brake is being applied.
 - Leave the pins 3, 4 and 9 unconnected. (These pins are not isolated from the internal circuit)
 - For the purpose of this diagram, CW and CCW refer to direction of the motor rotation when viewed it from the motor shaft end. Note that output shaft of the gear head may turn in opposite direction.
 - To change the rotating direction of the induction motor, wait until the motor stops completely.

• Single-phase motor with electromagnetic brake



- Notes:
- Number of motors that can be connected to the brake unit is only one.
 - The thick solid lines represent main circuit. Use conductor of size 0.5 mm² or larger for the main circuit.
 - Do not input CW rotation signal and CCW rotation signal at the same time. Otherwise, both signals cause application of excessive power to the motor to burn out.
 - Do not input rotating direction change signal or the operation instruction while the electrical brake is being applied.
 - For the purpose of this diagram, CW and CCW refer to direction of the motor rotation when viewed it from the motor shaft end. Note that output shaft of the gear head may turn in opposite direction.

• wiring diagram (for reversible motor)



* Please read your User's manual carefully so that you will understand the operation and safety precautions before attempting to operate the system.

* Please read your User's manual carefully so that you will understand the operation and safety precautions before attempting to operate the system.



- These brake units are electric brakes used to instantaneously stop motors.
- These electric brakes have longer life expectancy and can perform inching operation.

• Features

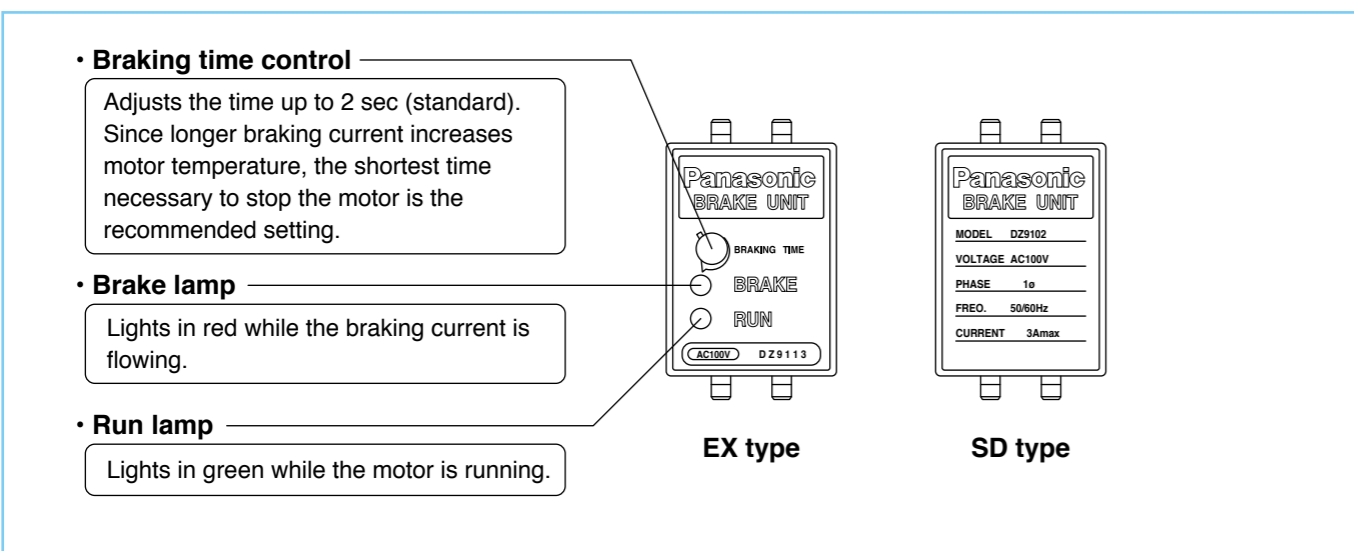
<SD type>

1. Compact 8P plug-in configuration.
2. Can be used in combination with other commercially available SSR (contactless relay).
These combinations enable the use of electrical signals for “run” and “quick stop” control of motors.
3. The electric brake operates for approx. 0.5 sec.

<EX type>

1. Can be controlled using electrical signal.
Electrical signal can be used for “run”, “quick stop” and “coast to stop” control of motors.
2. Operation time of the electric brake is adjustable.
Operation time is set to a suitable value within the range from 0.1 sec to 2 sec
3. “Run” and “Instantaneous stop” lamps are provided.

• Names and functions



• Models and applicable motors

	Rated voltage	SD type			EX type	
		DZ9102	DZ9202	DZ9302	DZ9113	DZ9213
Induction motor Reversible motor	Single-phase 100 V	○	-----	-----	○	-----
	Single-phase 200 V	-----	○	-----	-----	○
3-phase motor	3-phase 200 V	-----	-----	○	-----	-----

• Specification

<SD type>

Item	Part No.	DZ9102	DZ9202	DZ9302
Rated voltage		Single-phase 100 VAC	Single-phase 200 VAC	3-phase 200 VAC
Power frequency		50 Hz/60 Hz		
Permissible current		Operation current 3 A		
Applicable motor		3 W to 90 W ^{*1}		
Braking method		Feeds electric braking current for a specified time		
Electric braking time		0.5 sec (typ)		
Operating temperature		-10 °C to 50 °C		
Storage temperature		-10 °C to 60 °C		

<EX type>

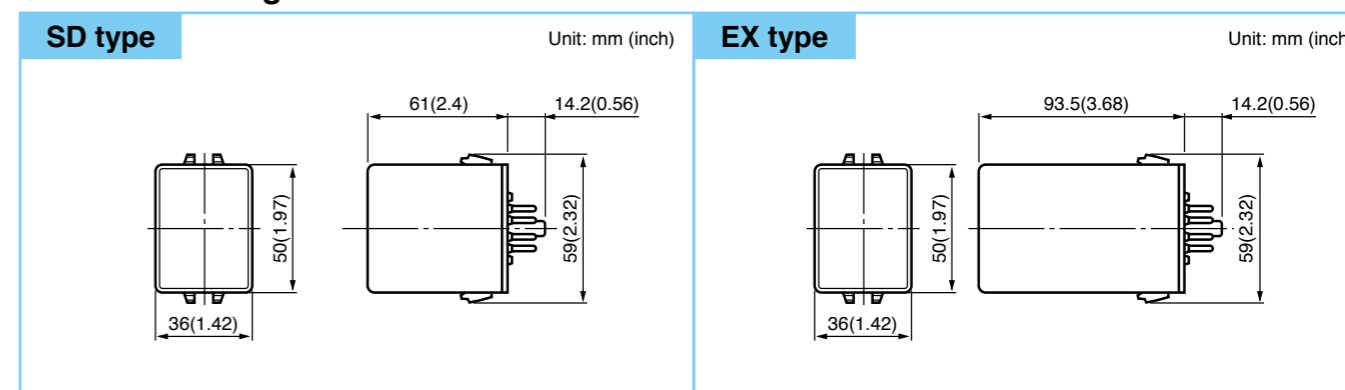
Item	Part No.	DZ9113	DZ9213
Rated voltage		Single-phase 100 VAC	Single-phase 200 VAC
Power frequency		50 Hz/60 Hz	
Permissible current		Operation current 3 A	
Applicable motor		3 W to 90 W ^{*1}	
Braking method		Feeds electric braking current for a specified time	
Electric braking time		Variable up to 2 sec (typ)	
Operating temperature		-10 °C to 50 °C	
Storage temperature		-10 °C to 60 °C	

*1: The unit cannot be used with Sq.42 mm size geared motor.

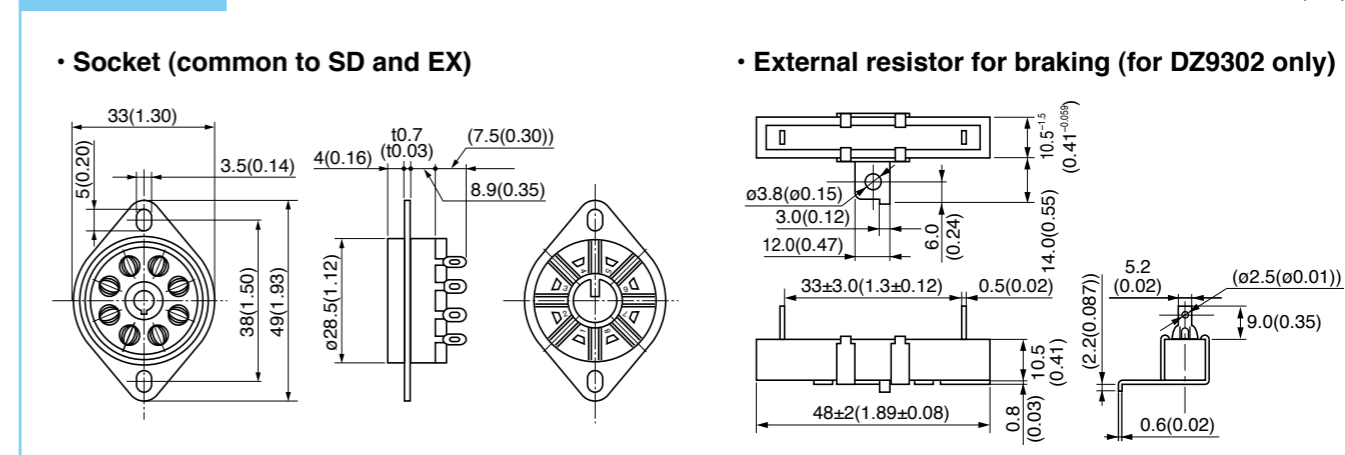
[Notes]

1. Electric braking system has no holding torque.
2. For application requiring holding force, use Panasonic electromagnetic brake motor.
3. When braking a load with excessively large inertia, related issues are strength and life of motor shaft and gear. For these subjects, consult us.
4. When using motor other than compact geared motor, consult us.

• Outline drawing



Accessories

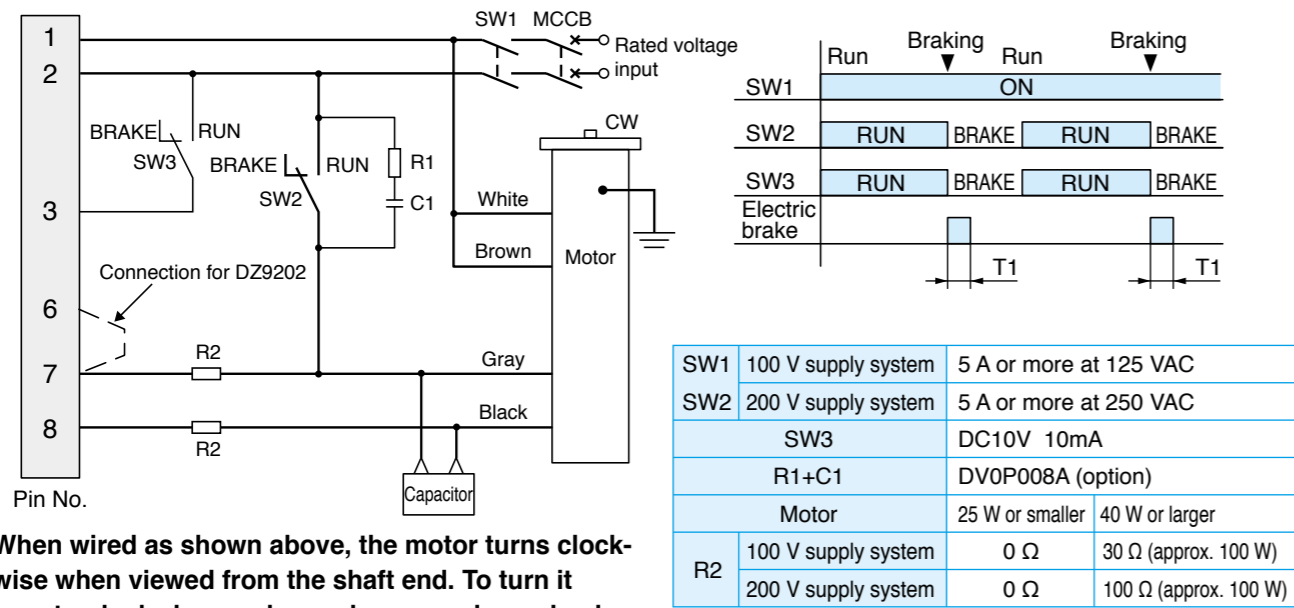


* Please read your User's manual carefully so that you will understand the operation and safety precautions before attempting to operate the system.

* Please read your User's manual carefully so that you will understand the operation and safety precautions before attempting to operate the system.

The thick continuous lines in the circuit diagram below represent main circuit. Use conductor of 0.75 mm² (AWG18) or more. The thin continuous lines represent signal circuit. Use conductor of size 0.3 mm² (AWG22) or more.

• DZ9102 and DZ9202 fundamental electrical wiring diagram (induction motor)



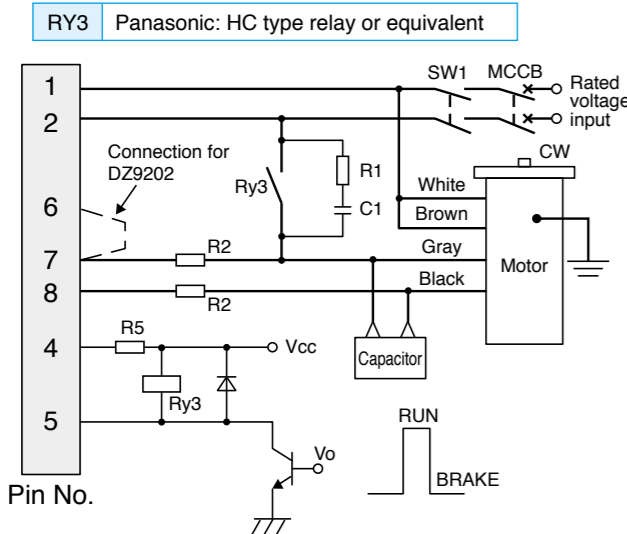
• When wired as shown above, the motor turns clockwise when viewed from the shaft end. To turn it counterclockwise, exchange brown and gray leads.

[Notes]

- When SW2 and SW3 are switched from RUN to BRAKE, electric brake is applied for approx. 0.5 sec (T1) causing the motor to stop quickly.
- Both SW2 and SW3 should be switched from RUN to BRAKE at the same time.
- The wattage of R2 depends on frequency of start and stop operations. First check the power dissipation.

Control signal

• When using power relay

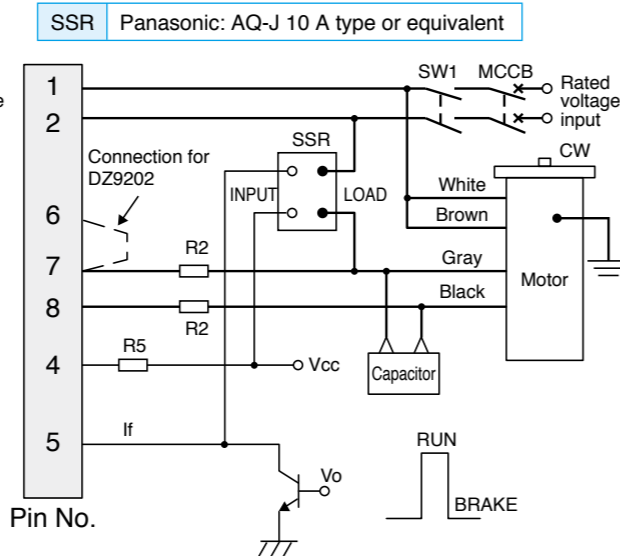


[Notes]

- Use 0 W R5 when Vcc is below 6 VDC. When Vcc is 6 VDC or higher, determine the value of R5 according to the equation shown below. Ripple of Vcc should be 5% or below. (Internal resistance 220 Ω)
 - Resistance of R5 $R5 = \frac{V_{cc} - 6 V}{I_f}$ at $I_f = 15 \text{ mA to } 20 \text{ mA}$
 - Example $V_{cc} = 24 \text{ V}$ $I_f = 20 \text{ mA}$

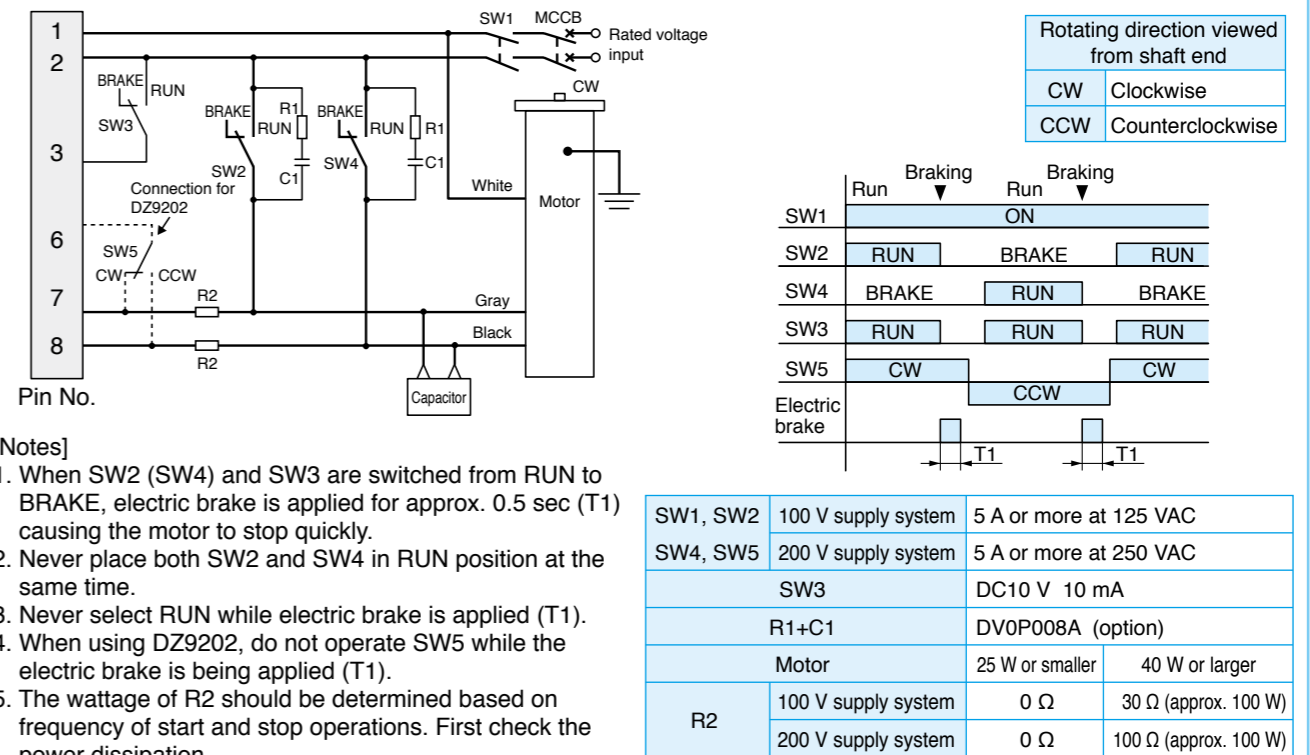
$$R5 = \frac{24 - 6}{20 \times 10^{-3}} = 900 \Omega \approx 1 \text{ k}\Omega$$
2. Also refer to SSR handling precaution (see contactless relay catalog).

• When using contactless relay (SSR)



The thick continuous lines in the circuit diagram below represent main circuit. Use conductor of 0.75 mm² (AWG18) or more. The thin continuous lines represent signal circuit. Use conductor of size 0.3 mm² (AWG22) or more.

• DZ9102 and DZ9202 standard electrical diagram (reversible motor)

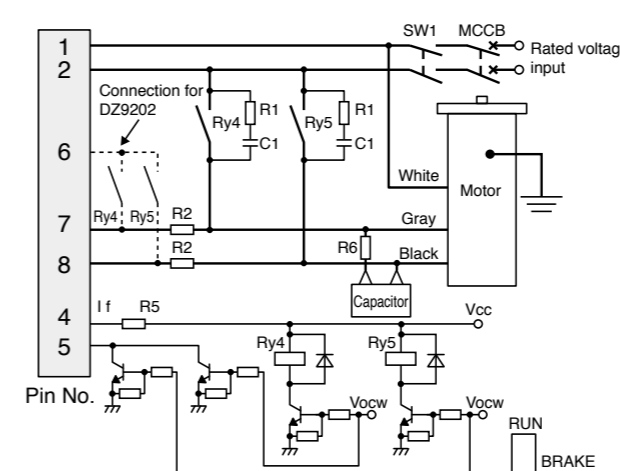


[Notes]

- When SW2 (SW4) and SW3 are switched from RUN to BRAKE, electric brake is applied for approx. 0.5 sec (T1) causing the motor to stop quickly.
- Never place both SW2 and SW4 in RUN position at the same time.
- Never select RUN while electric brake is applied (T1).
- When using DZ9202, do not operate SW5 while the electric brake is being applied (T1).
- The wattage of R2 should be determined based on frequency of start and stop operations. First check the power dissipation.

Control signal

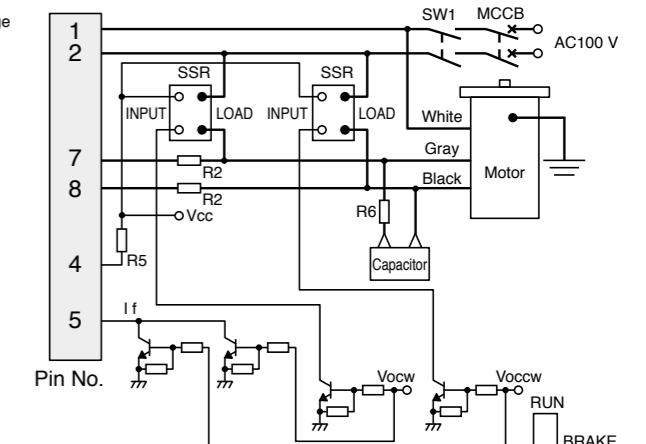
• When using power relay



[Notes]

- Use 0 Ω R5 when Vcc is below 6 VDC. When Vcc is 6 VDC or higher, determine the value of R5 according to the equation shown in description for induction motor. Ripple of Vcc should be 5% or below. (Internal resistance 220 Ω)
- Ry4 and Ry5 should be relay or electromagnetic contactor with the rated voltage two or more times the power supply voltage and the rated current 3 A or more.
- Do not place Vocw and Voccw in RUN at the same time.
- Be sure to use resistor R6 to protect relay, SSR and capacitor. Current will flow through R6 - 2 A 90 W; 1.7 A 60 W; 1 A 40 W; 0.6 A 25 W; 0.4 A 15 W.
- Also refer to SSR handling precaution (see contactless relay catalog).

• When using contactless relay (SSR) (Cannot be used for DZ9202)

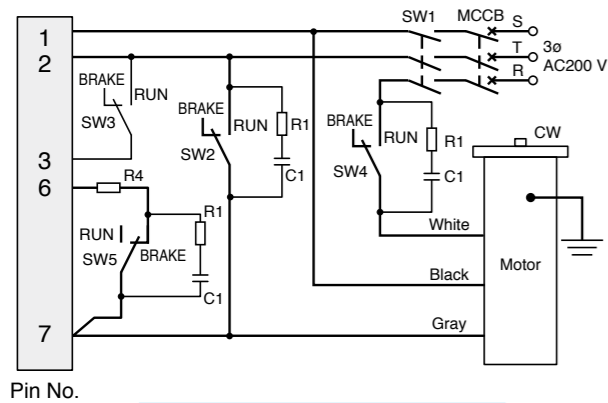


SSR	Panasonic: AQ-J 10 A type or equivalent
R6	10 Ω

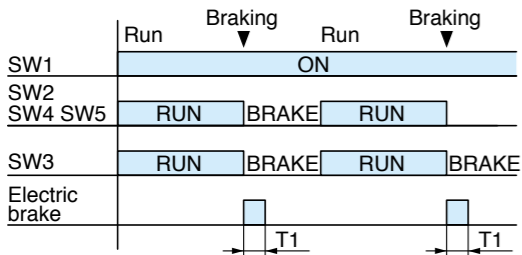
Brake Unit Contacting SD type

The thick continuous lines in the circuit diagram below represent main circuit. Use conductor of 0.75 mm² (AWG18) or more. The thin continuous lines represent signal circuit. Use conductor of size 0.3 mm² (AWG22) or more.

• DZ9302 fundamental electrical wiring diagram (3-phase motor)



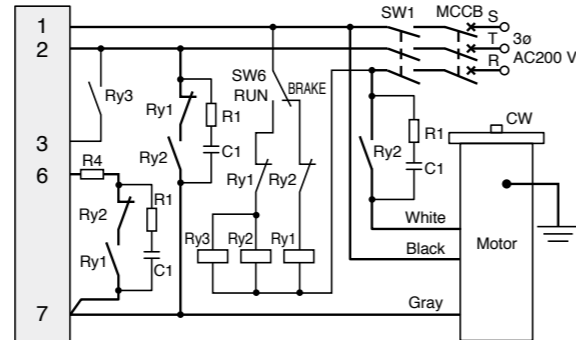
SW1, SW2	AC250 V 10 A min.
SW4, SW5	AC250 V 10 A min.
SW3	DC10 V 10 mA
R1+C1	DV0P008A (option)
R4	Accessory



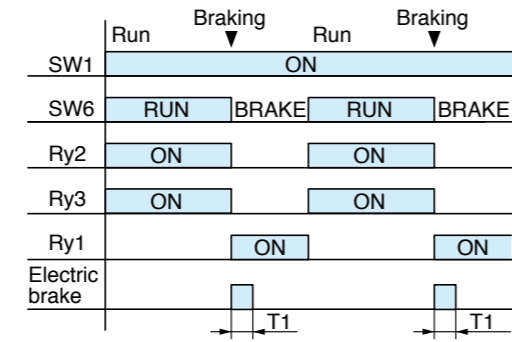
[Notes]

- When SW2, SW3 and SW4 are switched from RUN to BRAKE, electric brake is applied for approx. 0.5 sec (T1) causing the motor to stop quickly.
- Do not place these switches to RUN position while the electric braking is applied (T1).
- A massive amount of current will flow through SW2, SW4 and SW5. Use a disconnecting device (switch or relay) rated at 10 A or more. When using a relay, use Panasonic: HL type relay or equivalent.

• For application using inching motion frequently
If SW2 and SW5 emit long sparks, use of the following circuit is recommended.



SW1, SW6	AC250 V 10 A min.
RY1, RY2	Panasonic: HL type relay or equivalent
R1+C1	DV0P008A (option)
R4	Accessory
RY3	Twin contact or Au-clad contact relay

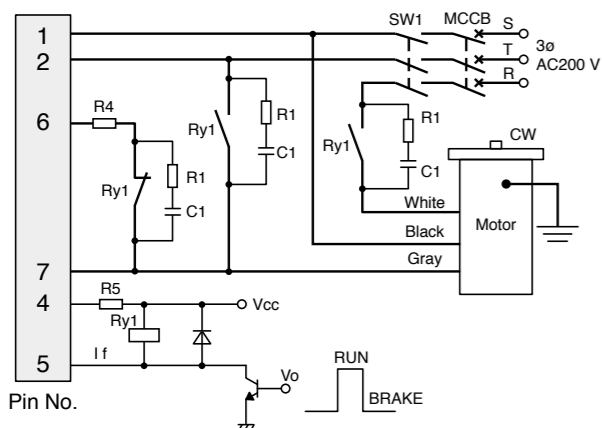


[Notes]

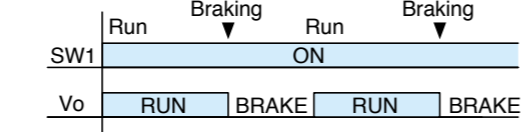
Ry1 and Ry2 should be interlocked to avoid simultaneous "ON".

Control signal

• When using power relay



RY1	Panasonic: HL type relay or equivalent
-----	--



[Notes]

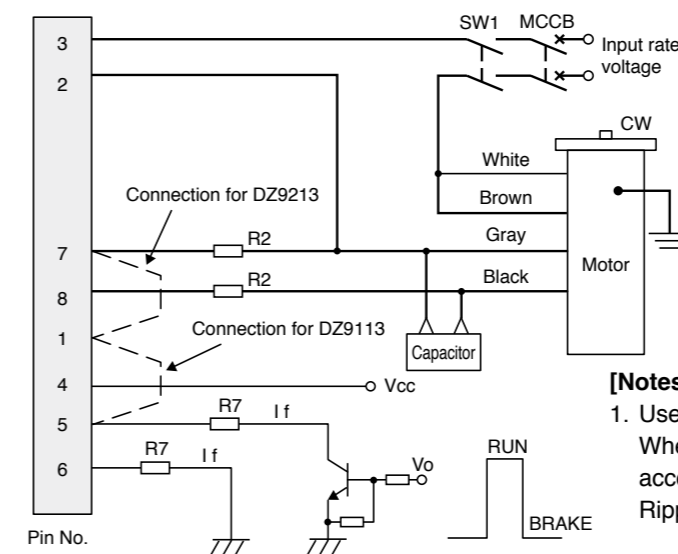
- Use 0 Ω R5 when Vcc is below 6 VDC. When Vcc is 6 VDC or higher, determine the value of R5 according to the equation shown below. Ripple of Vcc should be 5% or below. (Internal resistance 220 Ω)
- Resistance of R5 $R5 = \frac{Vcc - 6 V}{If}$ at If = 15 mA to 20 mA
 - Example Vcc = 24 V If = 20 mA
 $R5 = \frac{24 - 6}{20 \times 10^{-3}} = 900 \Omega \approx 1 k\Omega$

* Please read your User's manual carefully so that you will understand the operation and safety precautions before attempting to operate the system.

Brake Unit Contacting EX type

The thick continuous lines in the circuit diagram below represent main circuit. Use conductor of 0.75 mm² (AWG18) or more. The thin continuous lines represent signal circuit. Use conductor of size 0.3 mm² (AWG22) or more.

• DZ9113/DZ9213 fundamental electrical wiring diagram (unidirectional rotation and braking)



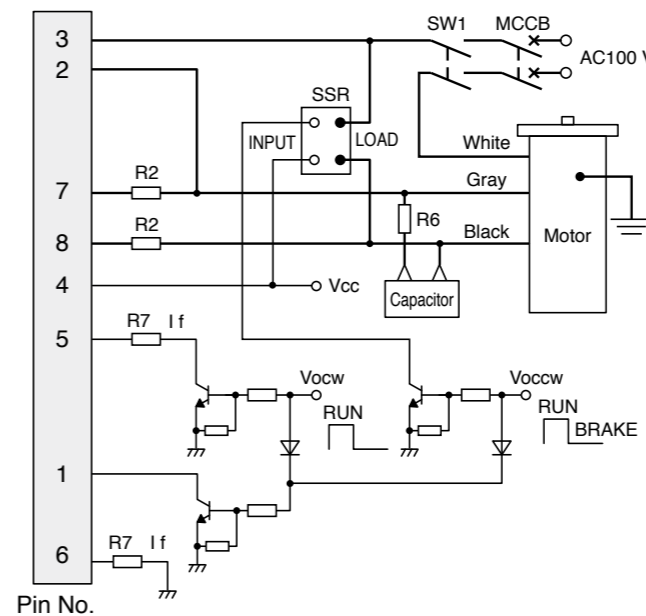
• When wired as shown left, the motor turns clockwise when viewed from the shaft end. To turn it counterclockwise, exchange brown and gray leads.

SW1	100 V supply system	5 A or more at 125 VAC
	200 V supply system	5 A or more at 250 VAC
Motor		25 W or smaller 40 W or larger
R2	100 V supply system	0 Ω 30 Ω (approx. 100 W)
	200 V supply system	0 Ω 100 Ω (approx. 100 W)

[Notes]

- Use 0 Ω R7 when Vcc is below 6 VDC. When Vcc is 6 VDC or higher, determine the value of R7 according to the equation shown below. Ripple of Vcc should be 5% or below. (Internal resistance 90 Ω)
- Resistance of R7 $R7 = \frac{Vcc(MIN) - 6 V}{If}$ at If = 32 mA to 45 mA
 - Example: Vcc (MIN) = 12 V If = 40 mA
 $R7 = \frac{12 - 6}{40 \times 10^{-3}} = 150 \Omega$
- The wattage of R2 depends on frequency of start and stop operations. First check the power dissipation.

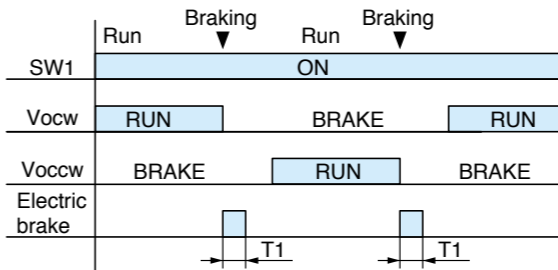
• DZ9113 application wiring diagram (normal/reverse rotation and braking)



Motor	Single-phase 100 V Reversible motor
SSR	Panasonic: AQ-J 10 A type or equivalent
R6	10 Ω

[Notes]

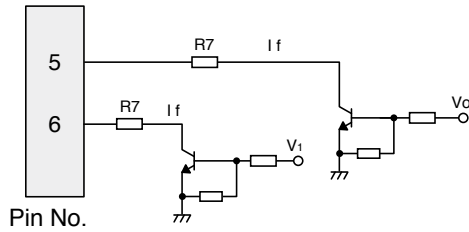
- For information on R2, SW1, etc., not found in this figure, refer to the fundamental electrical diagram shown above.
- For information on the SSR, refer to the related documents available from the contactless relay manufacturer.
- The rated voltage of SSR should be 2 times or more the power supply voltage and the surge rating should be 100 A or more.
- Be sure to use resistor R6 to protect SSR and capacitor. Current will flow through R6 - 2 A 90 W; 0.7 A 60 W; 1 A 40 W; 0.6 A 25 W; 0.4 A 15 W. Determine the wattage by first checking the heat dissipation.
- Never turn on the motor while the electric braking is operating (T1).
- Do not place Vocw and Voccw in RUN position at the same time.
- For Vcc and R7, refer to "Unidirectional rotation and braking" above.



* Please read your User's manual carefully so that you will understand the operation and safety precautions before attempting to operate the system.

• Stopping coasting DZ9113/DZ9213

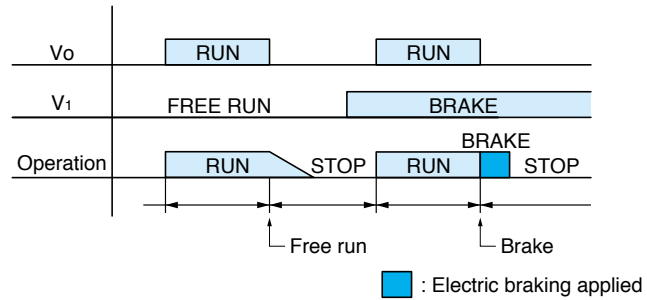
• Coast stopping circuit wiring diagram



[Notes]

1. Turning on and off of input voltage V1 on pin 6 causes coasting and braking, respectively.
2. For the resistance value of R7, refer to basic electric wiring diagram (negative direction rotation and braking) of DZ9113/DZ9213.
3. For the remaining wiring connections, refer to respective electric wiring diagrams.

• Operation



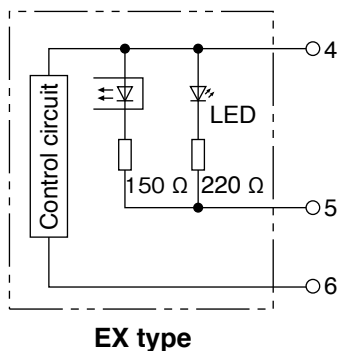
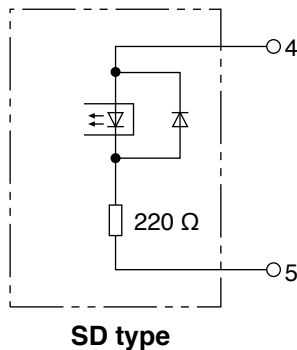
Brake Unit

SD type, EX type

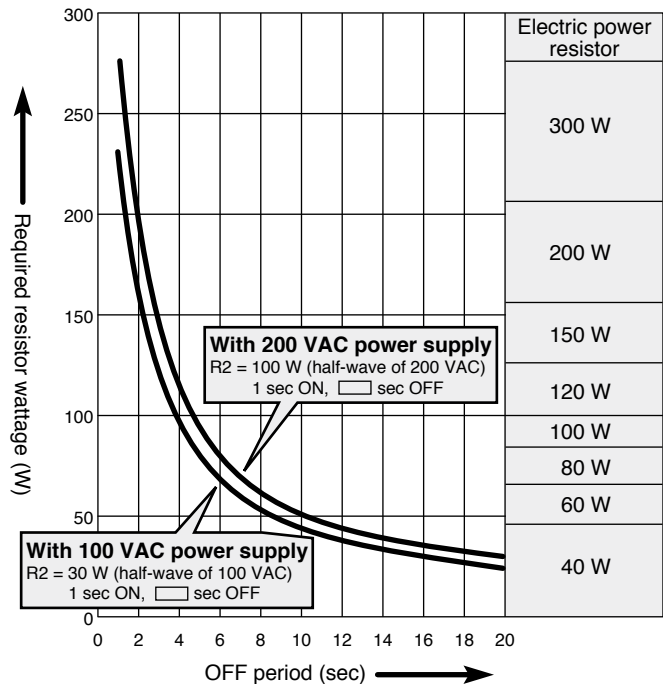
The thick continuous lines in the circuit diagram below represent main circuit. Use conductor of 0.75 mm² (AWG18) or more. The thin continuous lines represent signal circuit. Use conductor of size 0.3 mm² (AWG22) or more.

• Contactless signal input driving

• These are internal equivalent circuits that may be used for contactless signal driving devices such as TTL and MOSIC.



• Wattage of fixed resistor (R2)



[Notes]

The curves shown above are required wattage of electric power resistor R2 to maintain the surface temperature of it at 200 °C or below when it is driven with WR (average on/off cycle power) and 35 % load factor.

Load factor = 35 % ON duration (braking time) = 1 sec (fixed)

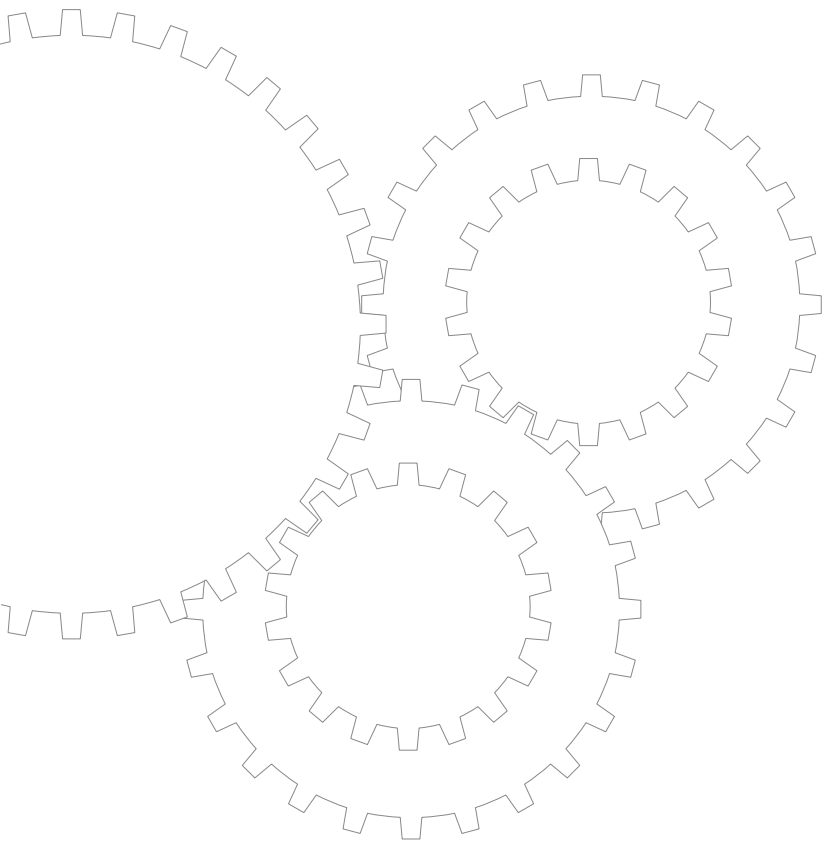
1. When 100 VAC supply $WR = 476 / (Toff + 1)$

2. When 200 VAC supply $WR = 571 / (Toff + 1)$

Example: 10 sec run; 5 sec stop; 1 sec braking; under 100 VAC
 $WR = 476 / [(10 + 5 + 1) + 1] = 31.7 W$


* Please read your User's manual carefully so that you will understand the operation and safety precautions before attempting to operate the system.

Options



Options

• Unit type motor extension cord



DV0P0321 Unit : mm (inch)

Tube 0.5 mm (0.02 inch) 7-core

Connector 1 Connector 2

30±10 (1.18±0.39) 30±10 (1.18±0.39)

L₀⁺⁵⁰(19.7)

Unit : m (inch)

Part No.	Length
DV0P0321	1 (39.37)
DV0P0322	2 (78.74)
DV0P0323	3 (118.11)
DV0P0324	4 (157.48)
DV0P0325	5 (196.85)

The 1 m (39.37 inch) cord is supplied with the motor.

DV0P0322 to DV0P0325

VCT222 0.75 mm (0.03 inch) 7-core

Connector 1 Connector 2

30±10 (1.18±0.39) 30±10 (1.18±0.39)

∅12 (0.47)

L₀⁺¹⁰⁰(3.94)

When the distance between the controller and the motor is longer than 1 m (39.37 inch), use a suitable extension cord shown right.

• Capacitor

- The capacitor delivered together with the motor can be separately available as an option.

• Capacitor cap

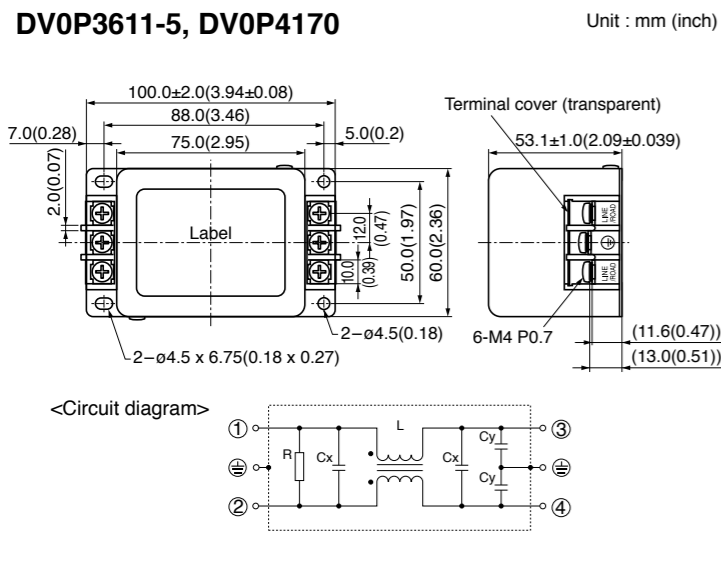
- The capacitor cap delivered together with the motor can be separately available.

[Notes]

1. 10 caps are packed in one bag.
2. We accept the order for caps in unit of bag.
3. Please refer to the motor specification page for each dimensions of the capacitor.

• Noise filter

DV0P3611-5, DV0P4170 Unit : mm (inch)

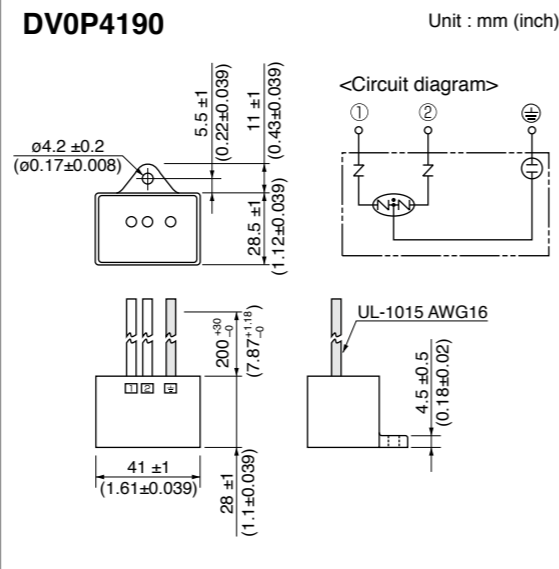


100.0±2.0(3.94±0.08)
88.0(3.46)
75.0(2.95)
5.0(0.2)
7.0(0.28)
2.0(0.07)
Terminal cover (transparent)
53.1±1.0(2.09±0.039)
Label
10.0(0.39)
12.0(0.47)
50.0(1.97)
60.0(2.36)
2-∅4.5(0.18)
6-M4 P0.7
(11.6(0.47))
(13.0(0.51))
2-∅4.5 x 6.75(0.18 x 0.27)

<Circuit diagram>

• Surge absorber

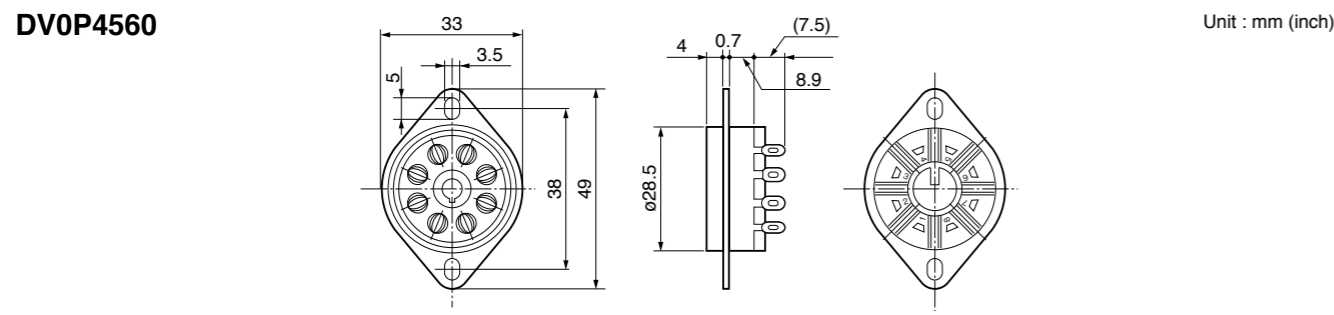
DV0P4190 Unit : mm (inch)



∅4.2±0.2 (∅0.17±0.008)
5.5±1 (0.22±0.039)
11±1 (0.43±0.039)
28.5±1 (1.12±0.039)
<Circuit diagram>
UL-1015 AWG16
200⁺³⁰₋₀ (7.87^{+1.18}₋₀)
4.5±0.5 (0.18±0.02)
41±1 (1.61±0.039)
28±1 (1.1±0.039)

• 8-pin socket

DV0P4560 Unit : mm (inch)



33
3.5
5
38
49
4
0.7
(7.5)
8.9
∅28.5

* Please read your User's manual carefully so that you will understand the operation and safety precautions before attempting to operate the system.

Recommended components Panasonic Industrial Devices SUNX Co.,Ltd.

- Combination of the set and recommended components
(The customer should arrange the recommended components.)
These are products of Panasonic Industrial Devices SUNX Co.,Ltd.

	DIN terminal block	Socket	Cap	Rear panel terminal block	Flush ^{*1, *2} mounting frame	Protective cover	Rail Fastening plate
Speed controller	MGSD	AT7803 ATC180031	AD8013	AT78041	AT785* AT781* AT782* AT7831	AT7881 (only for MGSD)	_____
		EX	AT7803	AW68102 (accessory)	_____	_____	_____
Brake unit	SD	AT7803	AD8013	AT78041	AT785* AT781* AT782* AT7831	_____	_____
	EX	_____	_____	_____	_____	_____	_____
	MB48X	ATC180041	_____	ATA4861	_____	ATA4811	AQM4801 ATA48011 ATA4806

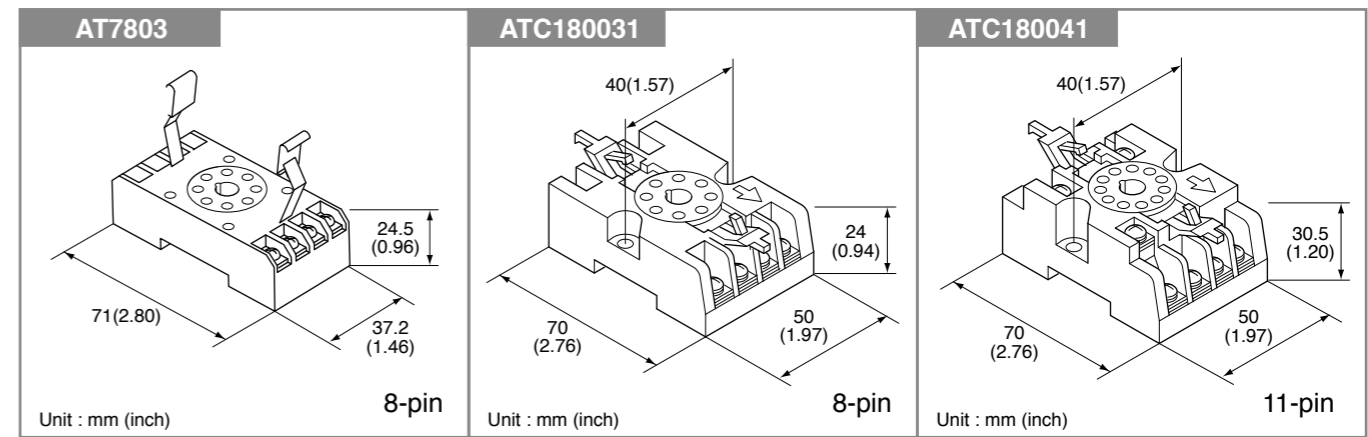
*1 If you use embedded mounting frame for MGSD or SD types, please use the cap (AD8013) or the rear terminal socket (AT78041) for connection wiring.

The DIN terminal block or socket cannot be used in case of embedded mounting frame.

*2 If you use embedded mounting frame for MB48X type, please use the cap (ATA4861) for connection wiring.

The DIN terminal block or socket cannot be used in case of embedded mounting frame.

• DIN terminal block



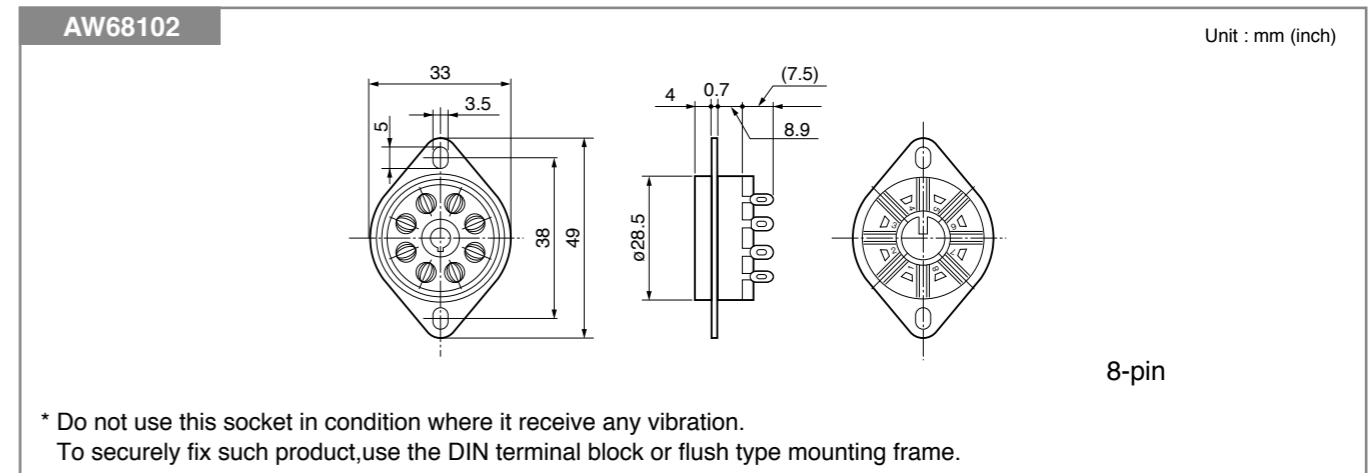
AT7803 8-pin Unit : mm (inch)
71(2.80) 24.5 (0.96) 37.2 (1.46)

ATC180031 8-pin Unit : mm (inch)
40(1.57) 24 (0.94) 70 (2.76) 50 (1.97)

ATC180041 11-pin Unit : mm (inch)
40(1.57) 30.5 (1.20) 70 (2.76) 50 (1.97)

• Socket

AW68102 Unit : mm (inch)



33 3.5
5
38 49
4 0.7 (7.5)
8.9
∅28.5

8-pin

* Do not use this socket in condition where it receive any vibration.
To securely fix such product, use the DIN terminal block or flush type mounting frame.

* Please read your User's manual carefully so that you will understand the operation and safety precautions before attempting to operate the system.

Recommended components

• Cap

AD8013 Unit : mm (inch)

8-pin

ATA4861 Unit : mm (inch)

11-pin

• Rear panel terminal block

AT78041 Unit : mm (inch)

• Protective cover

AT7881 Unit : mm (inch)

1. The cover attached after the speed setting prevents wrong operation and serves as a dust cover.
2. The cover is applicable to any of the flush type mounting frames.

AQM4801 Unit : mm (inch)

Snap the protective cover into the mounting frame, accessing from the front side of the frame, with the protective cover rib kept warped by fingers pressing on the arrow mark on the protective cover. This can be done, whether or not the mounting frame has a unit in it.

• Flush mounting frame

ATA4811 Unit : mm (inch)

Shape	Color	Model No.	Front view	Size of mount hole (unit: mm)	
				Recommended hole size	Distance between 2 parallel holes to be 6.5 mm (0.26 inch) or more.*
H type	Gray	◎AT7851		48(1.89)	50.5 ^{+0.5} ₀ (1.99 ^{+0.02})
	Black	◎AT7852			
	Silver gray	◎AT7853			
K type	Gray	◎AT7811		48(1.89)	53 ^{+0.3} ₀ (2.09 ^{+0.01})
	Black	◎AT7812			
	Silver gray	◎AT7813			
MHP type	Gray	◎AT7821		50(1.97)	53 ^{+0.3} ₀ (2.09 ^{+0.01})
	Black	◎AT7822			
	Silver gray	◎AT7823			
MHP-M type	Gray	◎AT7831		58(2.28)	76 ^{+0.1} ₀ (2.99 ^{+0.004})

- Note 1: Compatible panel thickness is between 1.0 mm and 3.5 mm (0.039 inch and 0.14 inch).
 Note 2: * The distance between holes when mounting the controllers in parallel.
 Note 3: Mounting frames shown above are not applicable for EX type controller.
 Note 4: If you use embedded mounting frame for MGSD or SD types, please use the cap (AD8013) or the rear terminal socket (AT78041) for connection wiring.
 Note 5: If you use embedded mounting frame for MB48X type, please use the cap (ATA4861) for connection wiring.
 Note 6: The DIN terminal block or socket cannot be used in case of embedded mounting frame.

* Please read your User's manual carefully so that you will understand the operation and safety precautions before attempting to operate the system.

• DIN rail

ATA48011 Unit : mm (inch)

• Fastening plate

ATA4806 Unit : mm (inch)

• Noise filter

MR-2043 Unit : mm (inch)

Manufacturer: NEC Tokin Corporation

* Please read your User's manual carefully so that you will understand the operation and safety precautions before attempting to operate the system.

Part No.	Specifications	Carrying page
----------	----------------	---------------

Optional parts for speed controller, brake unit

DV0P001	Tachometer	D-3
DV0P002	External speed setter	D-3
DV0P003	External braking resistor	D-3
DV0P008A	Spark killer	D-3
DV0P3611-5	Noise filter	D-4
DV0P4170	Noise filter	D-4
DV0P4190	Surge absorber	D-4
DV0P4560	8-pin socket	D-4

Optional parts for inverter

DV0P031	Data line filter	C-29
DV0P137	Power supply cord single-phase 200 VAC 3 m	C-29
DV0P13802	Motor extension cord 2 m	C-29
DV0P13803	Motor extension cord 3 m	C-29
DV0P13805	Motor extension cord 5 m	C-29
DV0P13902	External control extension cord 2 m	C-29
DV0P13903	External control extension cord 3 m	C-29
DV0P13905	External control extension cord 5 m	C-29
DV0P140	Noise filter	C-29

Unit type motor extension cord

DV0P0321	Extension cord 1 m	D-4
DV0P0322	Extension cord 2 m	D-4
DV0P0323	Extension cord 3 m	D-4
DV0P0324	Extension cord 4 m	D-4
DV0P0325	Extension cord 5 m	D-4

Separate type speed controller

DV1131	EX type speed controller	C-7
DV1132	EX type speed controller	C-7
DV1134	EX type speed controller	C-7
DV1231	EX type speed controller	C-7
DV1234	EX type speed controller	C-7
MGSDA1	MGSD type speed controller	C-6
MGSDB1	MGSD type speed controller	C-6
MGSDB2	MGSD type speed controller	C-6

Unit type speed controller (Spare parts)*

DVUS606L	Unit type US series	C-21
DVUS606Y	Unit type US series	C-21
DVUX606L	Unit type UX series	C-21
DVUX606Y	Unit type UX series	C-21
DVUS715L	Unit type US series	C-21
DVUS715Y	Unit type US series	C-21
DVUX715L	Unit type UX series	C-21
DVUX715Y	Unit type UX series	C-21
DVUS825L	Unit type US series	C-21
DVUS825Y	Unit type US series	C-21
DVUX825L	Unit type UX series	C-21
DVUX825Y	Unit type UX series	C-21
DVUS940L	Unit type US series	C-21
DVUS940Y	Unit type US series	C-21
DVUX940L	Unit type UX series	C-21
DVUX940Y	Unit type UX series	C-21
DVUS960L	Unit type US series	C-21
DVUS960Y	Unit type US series	C-21
DVUX960L	Unit type UX series	C-21
DVUX960Y	Unit type UX series	C-21
DVUS990L	Unit type US series	C-21
DVUS990Y	Unit type US series	C-21
DVUX990L	Unit type UX series	C-21
DVUX990Y	Unit type UX series	C-21

Contactless type brake unit

DVMB48XZ	MB48X type	C-33
----------	------------	------

Contacting type brake unit

DZ9102	SD type	C-37
DZ9113	EX type	C-37
DZ9202	SD type	C-37
DZ9213	EX type	C-37
DZ9302	SD type	C-37

Part No.	Specifications	Carrying page
----------	----------------	---------------

Capacitor (Repair parts)

M0PC0.6M40	Capacitor	
M0PC0.6M45G	Capacitor	
M0PC0.7M40	Capacitor	
M0PC0.8M40	Capacitor	
M0PC0.8M45G	Capacitor	
M0PC0.9M40	Capacitor	
M0PC1.2M40	Capacitor	
M0PC1.2M45G	Capacitor	
M0PC1.3M20	Capacitor	
M0PC1.3M40	Capacitor	
M0PC1.3M45G	Capacitor	
M0PC1.5M20	Capacitor	
M0PC1.5M40	Capacitor	
M0PC1.5M45G	Capacitor	
M0PC1.7M45G	Capacitor	
M0PC1.8M40	Capacitor	
M0PC10M20	Capacitor	
M0PC10M25G	Capacitor	
M0PC10M40	Capacitor	
M0PC10M45G	Capacitor	
M0PC12M20	Capacitor	
M0PC12M25G	Capacitor	
M0PC14M20	Capacitor	
M0PC14M25G	Capacitor	
M0PC15M20	Capacitor	
M0PC16M25G	Capacitor	
M0PC18M25G	Capacitor	
M0PC1M40	Capacitor	
M0PC1M45G	Capacitor	
M0PC2.1M45G	Capacitor	
M0PC2.4M40	Capacitor	
M0PC2.5M20	Capacitor	
M0PC2.5M25G	Capacitor	
M0PC2.5M40	Capacitor	
M0PC2.5M45G	Capacitor	
M0PC20M20	Capacitor	
M0PC20M25G	Capacitor	
M0PC25M20	Capacitor	
M0PC25M25G	Capacitor	
M0PC28M25G	Capacitor	
M0PC2M20	Capacitor	
M0PC2M40	Capacitor	
M0PC2M45G	Capacitor	
M0PC3.5M20	Capacitor	
M0PC3.5M25G	Capacitor	
M0PC3.5M40	Capacitor	
M0PC3.5M45G	Capacitor	
M0PC3.8M40	Capacitor	
M0PC30M20	Capacitor	
M0PC30M25G	Capacitor	
M0PC32M25G	Capacitor	
M0PC35M25G	Capacitor	
M0PC3M20	Capacitor	
M0PC3M25G	Capacitor	
M0PC3M40	Capacitor	
M0PC3M45G	Capacitor	
M0PC4.5M20	Capacitor	
M0PC4.5M25G	Capacitor	
M0PC4.5M45G	Capacitor	
M0PC40M18	Capacitor	
M0PC40M25G	Capacitor	
M0PC4M20	Capacitor	
M0PC4M25G	Capacitor	
M0PC4M45G	Capacitor	
M0PC5.5M25G	Capacitor	
M0PC5.8M40	Capacitor	
M0PC5M20	Capacitor	
M0PC5M40	Capacitor	
M0PC5M45G	Capacitor	
M0PC6.2M38	Capacitor	
M0PC6.5M25G	Capacitor	
M0PC6M20	Capacitor	
M0PC6M25G	Capacitor	
M0PC6M45G	Capacitor	
M0PC7.5M37	Capacitor	
M0PC7.5M45G	Capacitor	
M0PC7M20	Capacitor	
M0PC7M45G	Capacitor	
M0PC8M20	Capacitor	

Part No.	Specifications	Carrying page
----------	----------------	---------------

M0PC8M25G	Capacitor	
M0PC8M45G	Capacitor	
M0PC9.5M20	Capacitor	

Capacitor cap

10 pieces in one bag. Please order by bags unit.

M0PC3917	Capacitor cap	
M0PC3922	Capacitor cap	
M0PC3926	Capacitor cap	
M0PC5026	Capacitor cap	
M0PC5032	Capacitor cap	
M0PC3114G	Capacitor Cap	
M0PC3117G	Capacitor Cap	
M0PC3718G	Capacitor Cap	
M0PC3819G	Capacitor Cap	
M0PC3821G	Capacitor Cap	
M0PC4819G	Capacitor Cap	
M0PC4821G	Capacitor Cap	
M0PC5821G	Capacitor Cap	
M0PC5822G	Capacitor Cap	
M0PC5823G	Capacitor Cap	
M0PC5829G	Capacitor Cap	
M0PC5835G	Capacitor Cap	
M0PC5841G	Capacitor Cap	

O-ring

10 pieces in one bag. Please order by bags unit.

DV0PN10006	60 mm sq. O-ring for motor	D-2
DV0PN10007	70 mm sq. O-ring for motor	D-2
DV0PN10008	80 mm sq. O-ring for motor	D-2
DV0PN10009	90 mm sq. O-ring for motor	D-2

Inverter

M1G4A1V1X	Inverter	C-27
M1G4A2V1X	Inverter	C-27
M1G9A1V1X	Inverter	C-27
M1G9A2V1X	Inverter	C-27

Mounting frame

M6B2	60 mm sq. Mounting frame	D-2
M7B2	70 mm sq. Mounting frame	D-2
M8B2	80 mm sq. Mounting frame	D-2
M8B3	80 mm sq. Mounting frame	D-2
M9B2	90 mm sq. Mounting frame	D-2
M9B3	90 mm sq. Mounting frame	D-2

Decimal gear head mounting screw

M0PM4001	60 mm sq. decimal gear head mounting screw	D-2
M0PM5001	70 mm sq. decimal gear head mounting screw	D-2
M0PM5002	80 mm sq. decimal gear head mounting screw	D-2
M0PM6002	90 mm sq. decimal gear head mounting screw	D-2
M0PM6003	90 mm sq. decimal gear head mounting screw	D-2
M0PM6004	90 mm sq. decimal gear head mounting screw	D-2

42 mm sq. motor

M41A1G4L	Induction	B-10
M41A1S4L	Induction (Round-shaft)	B-61
M41A3G2L	Induction	B-8
M41A3S2L	Induction (Round-shaft)	B-408
M4RA1G4L	Reversible	B-72
M4RA1S4L	Reversible (Round-shaft)	B-123

60 mm sq. motor

M61X3G4L	Induction	B-12
M61X3GV4L	Variable speed induction	B-232
M61X3S4LS	Induction (Round-shaft)	B-61
M61X3SV4LS	Variable speed induction (Round-shaft)	B-264
M61X6G4DG	Induction	B-16
M61X6G4GG	Induction	B-16
M61X6G4L	Induction	B-14
M61X6G4LG	Induction	B-16
M61X6G4Y	Induction	B-14
M61X6G4YG	Induction	B-16

Part No.	Specifications	Carrying page
----------	----------------	---------------

M61X6GD4L	Unit motor (Spare parts)*	B-328
M61X6GD4Y	Unit motor (Spare parts)*	B-328
M61X6GV4DG	Variable speed induction	B-236
M61X6GV4GG	Variable speed induction	B-236
M61X6GV4L	Variable speed induction	B-234
M61X6GV4LG	Variable speed induction	B-236
M61X6GV4Y	Variable speed induction	B-234
M61X6GV4YG	Variable speed induction	B-236
M61X6H4L	C&B (Induction)	B-352
M61X6H4Y	C&B (Induction)	B-352
M61X6HV4L	C&B (Variable speed)	B-388
M61X6HV4Y	C&B (Variable speed)	B-388
M61X6S4DG	Induction (Round-shaft)	B-61
M61X6S4GG	Induction (Round-shaft)	B-61
M61X6S4LG	Induction (Round-shaft)	B-61
M61X6S4LS	Induction (Round-shaft)	B-61
M61X6S4Y	Induction (Round-shaft)	B-61
M61X6S4YG	Induction (Round-shaft)	B-61
M61X6SV4DG	Variable speed induction (Round-shaft)	B-264
M61X6SV4GG	Variable speed induction (Round-shaft)	B-264
M61X6SV4LG	Variable speed induction (Round-shaft)	B-264
M61X6SV4LS	Variable speed induction (Round-shaft)	B-264
M61X6SV4YG	Variable speed induction (Round-shaft)	B-264
M61X6SV4YS	Variable speed induction (Round-shaft)	B-264
M6RX4G4L	Reversible	B-74
M6RX4GV4L	Variable speed reversible	B-274
M6RX4S4LS	Reversible (Round-shaft)	B-123
M6RX4SV4LS	Variable speed reversible(Round-shaft)	B-306
M6RX6G4DG	Reversible	B-78
M6RX6G4GG	Reversible	B-78
M6RX6G4L	Reversible	B-76
M6RX6G4LG	Reversible	B-78
M6RX6G4Y	Reversible	B-76
M6RX6G4YG	Reversible	B-78
M6RX6GB4DG	Electromagnetic brake, single-phase	B-180
M6RX6GB4GG	Electromagnetic brake, single-phase	B-180
M6RX6GB4L	Electromagnetic brake, single-phase	B-178
M6RX6GB4LG	Electromagnetic brake, single-phase	B-180
M6RX6GB4Y	Electromagnetic brake, single-phase	B-178
M6RX6GB4YG	Electromagnetic brake, single-phase	B-180
M6RX6GBV4L	Variable speed electromagnetic brake, single-phase	B-314
M6RX6GBV4Y	Variable speed electromagnetic brake, single-phase	B-314
M6RX6GV4DG	Variable speed reversible	B-278
M6RX6GV4GG	Variable speed reversible	B-278
M6RX6GV4L	Variable speed reversible	B-276
M6RX6GV4LG	Variable speed reversible	B-278
M6RX6GV4Y	Variable speed reversible	B-276
M6RX6GV4YG	Variable speed reversible	B-278
M6RX6S4DG	Reversible (Round-shaft)	B-123
M6RX6S4GG	Reversible (Round-shaft)	B-123
M6RX6S4LG	Reversible (Round-shaft)	B-123
M6RX6S4LS	Reversible (Round-shaft)	B-123
M6RX6S4YG	Reversible (Round-shaft)	B-123
M6RX6S4YS	Reversible (Round-shaft)	B-123
M6RX6SB4DG	Electromagnetic brake, single-phase (Round-shaft)	B-220
M6RX6SB4GG	Electromagnetic brake, single-phase (Round-shaft)	B-220
M6RX6SB4LG	Electromagnetic brake, single-phase (Round-shaft)	B-220
M6RX6SB4LS	Electromagnetic brake, single-phase (Round-shaft)	B-220
M6RX6SB4YG	Electromagnetic brake, single-phase (Round-shaft)	B-220
M6RX6SB4YS	Electromagnetic brake, single-phase (Round-shaft)	B-220
M6RX6SV4DG	Variable speed reversible (Round-shaft)	B-306
M6RX6SV4GG	Variable speed reversible (Round-shaft)	B-306
M6RX6SV4LG	Variable speed reversible (Round-shaft)	B-306
M6RX6SV4LS	Variable speed reversible (Round-shaft)	B-306
M6RX6SV4YG	Variable speed reversible (Round-shaft)	B-306
M6RX6SV4YS	Variable speed reversible (Round-shaft)	B-306

70 mm sq. motor

M71X10G4L	Induction	B-18
M71X10G4Y	Induction	B-18
M71X10GV4L	Variable speed induction	B-238
M71X10GV4Y	Variable speed induction	B-238
M71X10S4LS	Induction (Round-shaft)	B-61
M71X10S4YS	Induction (Round-shaft)	B-61
M71X10SV4LS	Variable speed induction (Round-shaft)	B-264
M71X10SV4YS	Variable speed induction (Round-shaft)	B-264
M71X15G4DG	Induction	B-22
M71X15G4GG	Induction	B-22
M71X15G4L	Induction	B-20
M71X15G4LG	Induction	B-22
M71X15G4Y	Induction	B-20

* Spare parts: Extension cable (1 m) and instruction manual are not included.

* Spare parts: Extension cable (1 m) and instruction manual are not included.

* The models with a model number to which "A" is suffixed (not equipped with a capacitor cap) are not listed in this index.

[Panasonic Sales Office of Motors]

(April.01.2015)

Country	Company Name [Category]	City	Address	TEL			
				FAX			
U.S.A	Panasonic Industrial Devices Sales Company of America [Sales office]	New Jersey	Two Riverfront Plaza, 7th Floor Newark, NJ 07102-5490 U.S.A	+1-800-228-2350			
				—			
Brazil	Panasonic do Brazil [Sales office]	Sao Paulo	Avenida do Cafe, 277 Torre A-8 Andar Jabaquara ZIP Code: 04311-900 Sao Paulo SP Brazil	+55-11-3889-4022 +55-11-3889-4103			
Germany	Panasonic Industrial Devices Sales Europe GmbH [Sales office] [European Headquarter]	Munich	Hans-Pinsel-Strasse 2 · D - 85540 Haar · Germany	+49-89-46-159-0 +49-89-46-159-212			
				e-mail	http://eu.industrial.panasonic.com/about-us/contact-us		
				Web site	http://eu.industrial.panasonic.com/products/motors-compressors-pumps		
				ghv Vertriebs-GmbH [Distributors]	Munich	Am Schammacher Feld 47 D-85567 Grafing b. Munich	+49(0)-80-92/81-89-0 +49(0)-80-92/81-89-99
e-mail	http://www.ghv.de/kontakt.html						
Italy	Lenze Italia S.r.l. [Distributors]	Milano	Viale Monza 338 20128 Milano	+39-02-270-98-1 +39-02-270-98-290			
				e-mail	mail@lenzeitalia.it		
				Web site	http://www.lenze.com/it-it/azienda/lenze-in-italia/		
United Kingdom	Lenze Limited [Distributors]	Bedford	Priory Business Park, Bedford, MK44 3WH.	+44-1234-7532-00 +44-1234-7532-20			
				e-mail	uk.sales@lenze.com		
				Web site	http://www.lenze.com/en-gb/about-lenze/lenze-in-united-kingdom/		
China	Panasonic Industrial Devices Sales (Hong Kong) Co.,Ltd. (PIDSHK) [Sales office]	Hong kong	Top Floor, South Wing, ChinaChem Gloden Plaza, 77 Mody Road, S.T.S. East, Kowloon, HongKong	+852-2529-7322 +852-2598-9743			
				Panasonic Industrial Devices Sales (China) Co.,Ltd. (PIDSCN) [Sales office]	Shanghai	Floor 6, China Insurance Building, 166 East Road LuJiaZui PuDong New District, Shanghai, China	+86-21-3855-2442 +86-21-3855-2375
							Panasonic Industrial Devices Sales (China) Co.,Ltd. (PIDSCN) [Sales office]
Korea	Panasonic Industrial Devices Sales Korea Co., Ltd. (PIDSKR) [Sales office]	Seoul	6F DONG-IL Tower 38, Teheran-ro 114-gil, Gangnam-gu, Seoul, 135-851, Korea	+82-2-795-9600 +82-2-2052-1053			
				Taiwan	Panasonic Industrial Devices Sales Taiwan Co.,Ltd. [Sales office]	Taipei	12F, No.9, SongGao Rd., Taipei 110, Taiwan, R.O.C.

Country	Company Name [Category]	City	Address	TEL
				FAX
India	Industrial Division, Panasonic India Pvt Ltd. [Sales office]	Gurgaon, Haryana	12th Floor, Ambience Commercial, Behind Ambience Mall, Gurgaon - 122002, Haryana, India	+91-124-6670400 +91-124-6670338
				Web site
	Lubi Electronics [Distributors]	Gandhinaga, Gujarat	Sardar Patel Ring Road, Near Bright School, Nana Chiloda, Dist.: Gandhinagar - 382330, Gujarat, India	+91-79-39845300 +91-79-39845599
				Web site
	Luna Bearings [Distributors]	Mumbai, Maharashtra	59, Bibijan Street, 2nd Floor, Moiz Manzil, Mumbai - 400003, Maharashtra, India	+91-22-23455052 +91-22-23427773
				Web site
Vashi Electricals Pvt. Ltd. [Distributors]	Mumbai, Maharashtra	A/6, Plot No.74, Shree Ganesh Complex, Behind Gupta Compound, Dapole Road, Mankoli Naka, Bhiwandi - 421305, Maharashtra, India	+91-2522-661600 +91-2522-661620	
			Web site	http://www.vashielectricals.com
Singapore	Panasonic Industrial Devices Sales Asia Pte.Ltd. [Sales office]	Singapore	No.3 Bedok South Road Singapore 469269	+65-6390-3718 +65-9435-6844
				Intermech Machinery Pte. Ltd. [Distributors]
Web site	http://www.intermech.com.sg			
	Malaysia	Panamech Machinery Sdn Bhd [Distributors]	Kuala Lumpur	No.14, Lorong Sanggul 1C, Bandar Puteri, 41200 Klang, Selangor Darul Ehsan
Web site				
	Panamech (PG) Sdn Bhd [Distributors]	Penang	Sri Relau Komplex, Unit 1-3-11, Persiaran Bukit Jambul 1, 11900 Penang	+60-4-643-8266 +60-4-645-1639
Web site				http://panamech.com.my/
Thailand	Seng Charoen Muang Co.,Ltd. [Distributors]	Bangkok	12/349 Moo 15, Bangkaew, Bangplee, Samutprakam 10540	+66-2397-9577 +66-2361-8207
				Web site
Indonesia	PT.Riasarana Electrindo [Distributors]	Jakarta	Jl. Prof. Dr. Latumenten Grogol Permai blok D No. 8-15 Jakarta 11460, Indonesia	+62-21-564-9178 +62-21-566-7405
				Web site
Philippines	Movaflex Designs Unlimited, Inc. [Distributors]	Manila	136 Calbayog Street, Mandaluyong City, Metro Manila, Philippines.	+63-2-881-3636 +63-2-998-3881
				Web site

South-eastern Asia