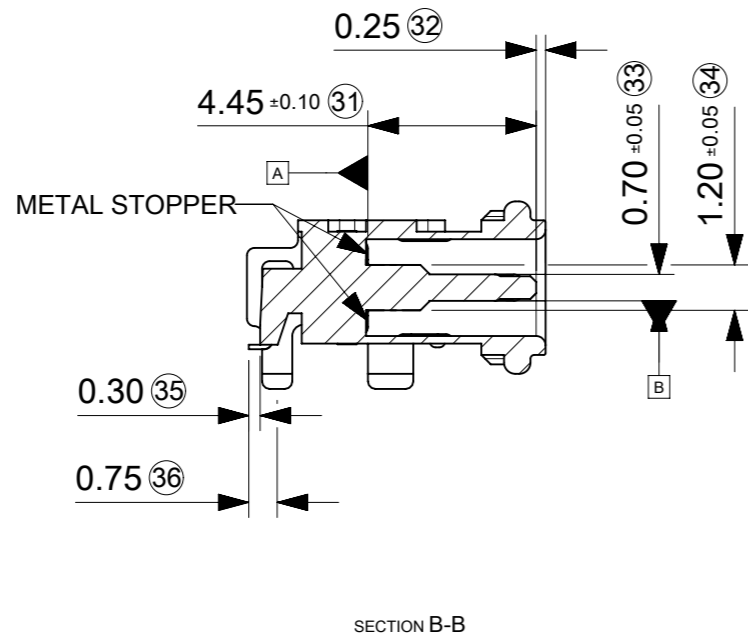
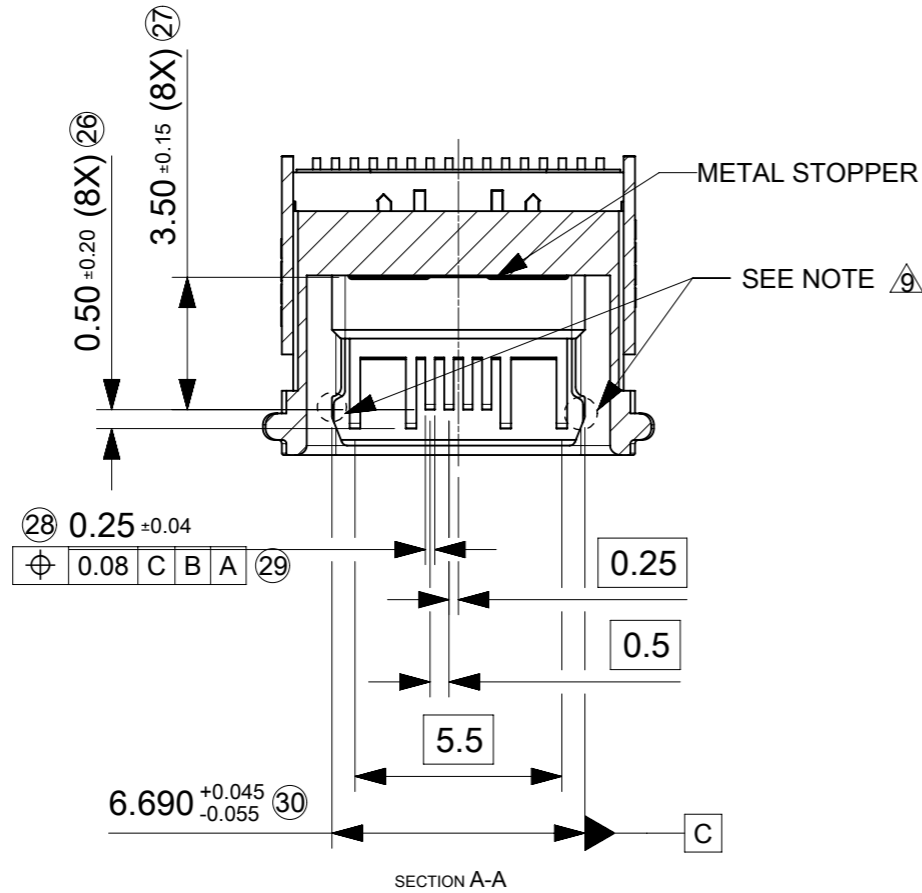


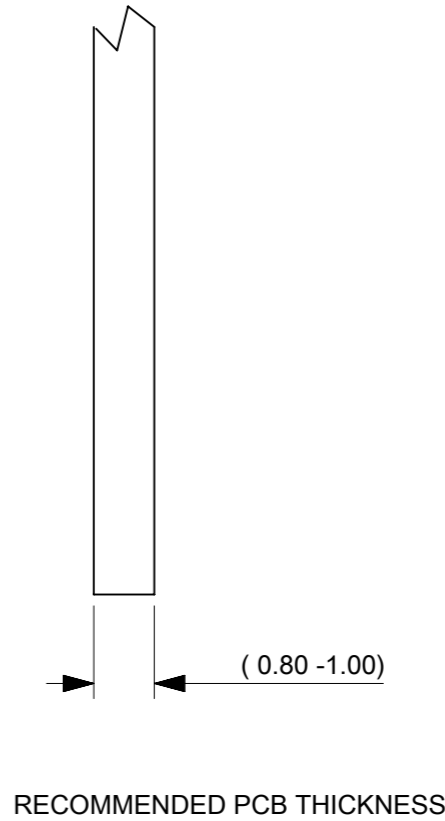
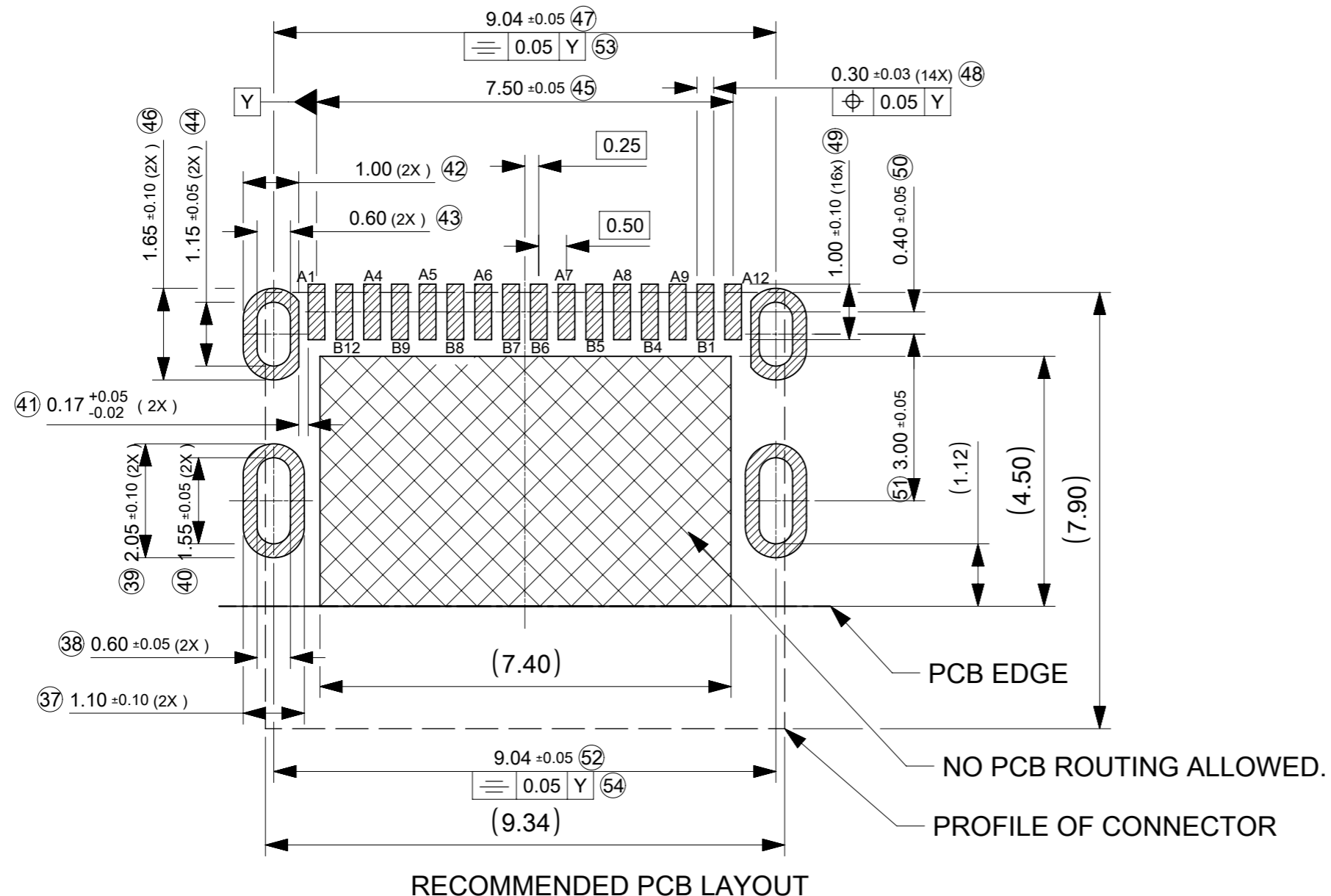
THIS DRAWING CONTAINS INFORMATION THAT IS PROPRIETARY TO MOLEX ELECTRONIC TECHNOLOGIES, LLC AND SHOULD NOT BE USED WITHOUT WRITTEN PERMISSION									
DIMENSION UNITS	SCALE	CURRENT REV DESC: REMOVE THE MINUTE IN DATE CODE.							
mm	5:1								
GENERAL TOLERANCES (UNLESS SPECIFIED)									
ANGULAR TOL	± 3.0°								
4 PLACES	±								
3 PLACES	±								
2 PLACES	± 0.25								
1 PLACE	± 0.25								
0 PLACES	±								
DRAFT WHERE APPLICABLE MUST REMAIN WITHIN DIMENSIONS	THIRD ANGLE PROJECTION	DRAWING	SERIES	MATERIAL NUMBER	CUSTOMER	SHEET NUMBER			
		A3-SIZE	213083	2130830005	GENERAL MARKETING	1 OF 4			



NOTES:

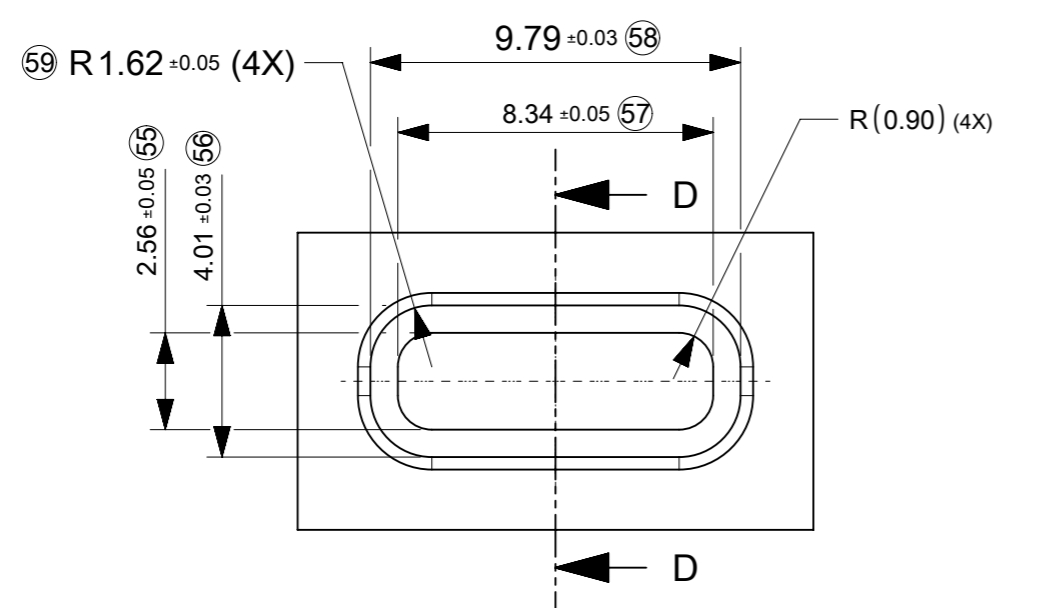
1. MATERIAL:
HOUSING: NYLON WITH GLASS FILLED, BLACK, UL94V-0.
TERMINALS: COPPER ALLOY.
SHELL: STAINLESS STEEL.
SEALING RING: SILICA GEL
2. PLATING:
TERMINAL:
CONTACT AREA: 0.76 MICROMETER MIN. GOLD PLATING
UNDER PLATING: 2 MICROMETER MIN. NICKEL PLATING OVERALL
SHELL: 1 MICROMETER MIN. SOLDERABLE NICKEL PLATING OVERALL.
3. PRODUCT SPEC REFER TO 2130830001PS000.
4. PACKAGE SPEC REFER TO 2130830001PDDPK0.
5. COPLANARITY OF SMT PINS SOLDER TAIL IS 0.08MM MAX.
AND RECOMMEND THE STENCIL THICKNESS IS 0.10MM MIM.
6. T/H SOLDER TAIL POSITION CAN BE CONTROLLED BY GAUGE.
7. DESIGN FOR WATERPROOF WITH IPX8(WATER SLOT WITH 1.5MM&30MINUTES)
8. LASER WELDING POINTS MAY BE DISCLOSED.
9. METAL EXPOSED AREA COULD BE SLIGHTLY CHANGED BASED ON
MANUFACTURE PROCESS CONDITION IN EACH LOT.
HOWEVER, THIS WOULD NOT AFFECT CONNECTOR FUNCTION.
10. PIN ASSIGNMENT COMPLIANCE TO USB TYPE C STANDARD.
AND THE MATING DIMENSIONS CONSIST OF
"Universal Serial Bus Type-C cable and Connector Specification."
11. DATE CODE: XX XX XX XX
YEAR MONTH DATE HOUR

THIS DRAWING CONTAINS INFORMATION THAT IS PROPRIETARY TO MOLEX ELECTRONIC TECHNOLOGIES, LLC AND SHOULD NOT BE USED WITHOUT WRITTEN PERMISSION									
DIMENSION UNITS	SCALE	CURRENT REV DESC: REMOVE THE MINUTE IN DATE CODE.			molex				
mm	10:1								
GENERAL TOLERANCES (UNLESS SPECIFIED)					USB C, RECEPTACLE, 16PIN, WATERPROOF				
ANGULAR TOL ± 3.0 °					PRODUCT CUSTOMER DRAWING				
4 PLACES	±	EC NO: 676512			DOCUMENT NUMBER				
3 PLACES	±	DRWN: FYANG05 2021/02/10			2130830005				
2 PLACES	± 0.25	CHK'D: XQZHANG 2021/09/20			DOC TYPE DOC PART REVISION				
1 PLACE	± 0.25	APPR: XQZHANG 2021/09/20			PSD 000 A1				
0 PLACES	±	INITIAL REVISION:			SHEET NUMBER				
DRAFT WHERE APPLICABLE MUST REMAIN WITHIN DIMENSIONS		THIRD ANGLE PROJECTION		DRAWING	SERIES	MATERIAL NUMBER	CUSTOMER	SHEET NUMBER	
				A3-SIZE	213083	2130830005	GENERAL MARKETING	2 OF 4	

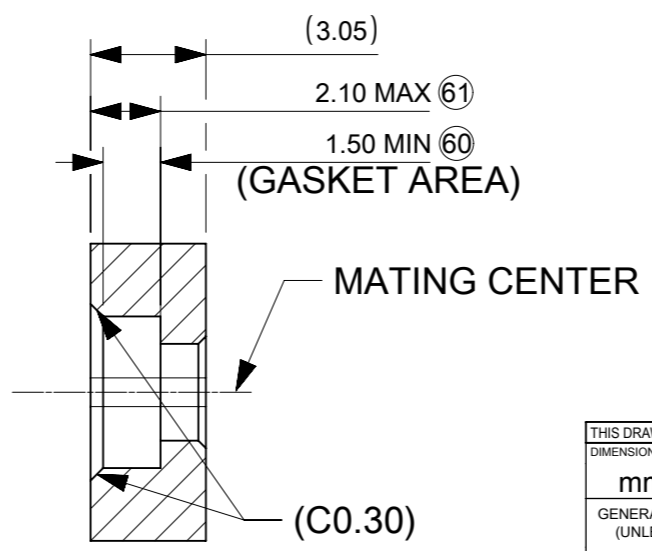


RECOMMENDED PCB LAYOUT

PIN ASSIGNMENT FOR USB C 16PIN							
A1	A4	A5	A6	A7	A8	A9	A12
GND	VBUS	CC1	D+	D-	SUB1	VBUS	GND
B12	B9	B8	B7	B6	B5	B4	B1
GND	VBUS	SUB2	D-	D+	CC2	VBUS	GND



RECOMMENDED HOLE FOR PANEL CASE

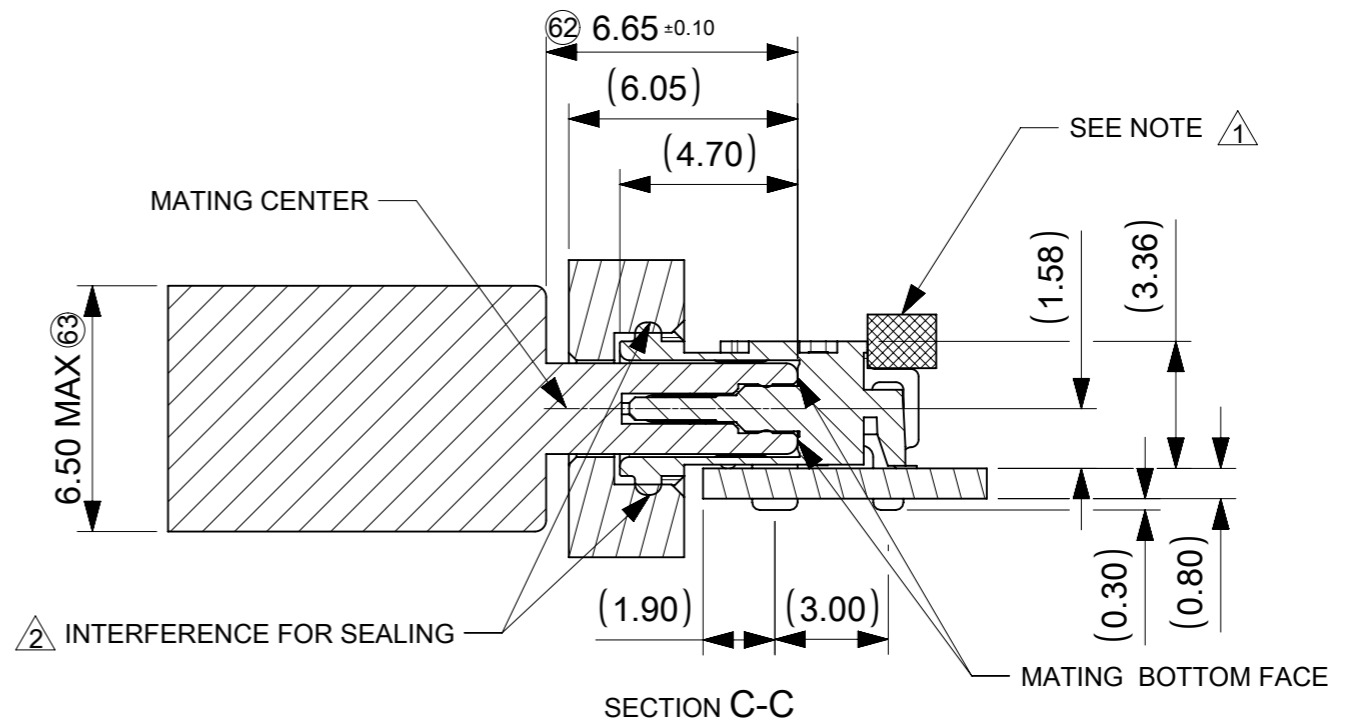
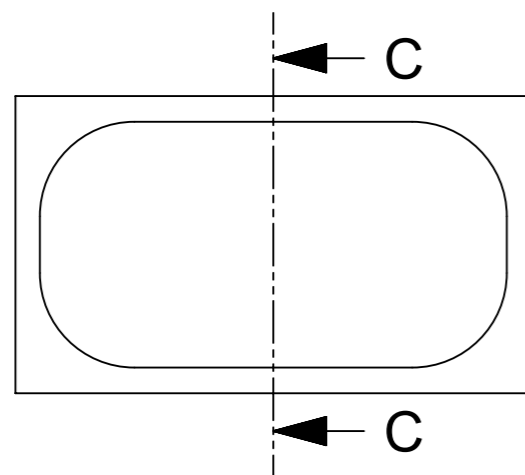
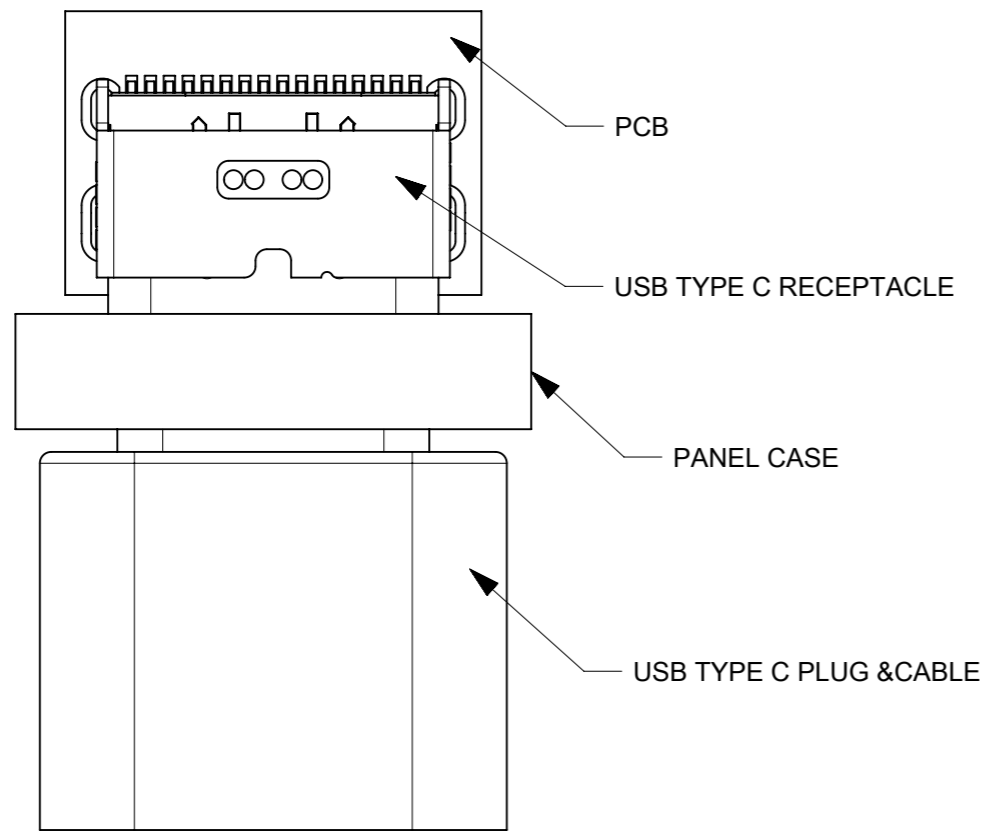


SECTION D-D

THIS DRAWING CONTAINS INFORMATION THAT IS PROPRIETARY TO MOLEX ELECTRONIC TECHNOLOGIES, LLC AND SHOULD NOT BE USED WITHOUT WRITTEN PERMISSION

DIMENSION UNITS	SCALE	CURRENT REV DESC: REMOVE THE MINUTE IN DATE CODE.	molex			
mm	5:1					
GENERAL TOLERANCES (UNLESS SPECIFIED)			USB C,RECEPTACLE,16PIN,WATERPROOF			
ANGULAR TOL	± 3.0 °		PRODUCT CUSTOMER DRAWING			
4 PLACES	±	EC NO: 676512	DOCUMENT NUMBER			
3 PLACES	±	DRWN: FYANG05 2021/02/10	2130830005			
2 PLACES	± 0.25	CHK'D: XQZHANG 2021/09/20	DOC TYPE DOC PART REVISION			
1 PLACE	± 0.25	APPR: XQZHANG 2021/09/20	PSD 000 A1			
0 PLACES	±	INITIAL REVISION:				
		DRWN: FYANG05 2019/10/17				
		APPR: RZHANG 2020/09/29				
DRAFT WHERE APPLICABLE MUST REMAIN WITHIN DIMENSIONS	THIRD ANGLE PROJECTION	DRAWING	SERIES	MATERIAL NUMBER	CUSTOMER	SHEET NUMBER
		A3-SIZE	213083	2130830005	GENERAL MARKETING	3 OF 4

RELATIVE POSITON FOR APPLICATION



NOTE :

① IN ORDER TO PREVENT DAMAGE, THE CONNECTOR SHOULD BE PROTECTED WITH CASE.

② THERE IS A POSSIBILITY OF BURR OR PELLICLE OCCUR AT LIM PART.
BUT IT HAS NO IMPACT FOR PRODUCTION, ASSEMBLY AND WATERPROOF ABILITY.

THIS DRAWING CONTAINS INFORMATION THAT IS PROPRIETARY TO MOLEX ELECTRONIC TECHNOLOGIES, LLC AND SHOULD NOT BE USED WITHOUT WRITTEN PERMISSION									
DIMENSION UNITS	SCALE	CURRENT REV DESC: REMOVE THE MINUTE IN DATE CODE.			molex				
mm	5:1								
GENERAL TOLERANCES (UNLESS SPECIFIED)					USB C, RECEPTACLE, 16PIN, WATERPROOF				
ANGULAR TOL	± 3.0°	EC NO: 676512			PRODUCT CUSTOMER DRAWING				
4 PLACES	±	DRWN: FYANG05 2021/02/10			DOCUMENT NUMBER				
3 PLACES	±	CHK'D: XQZHANG 2021/09/20			2130830005				
2 PLACES	± 0.25	APPR: XQZHANG 2021/09/20			PSD 000 A1				
1 PLACE	± 0.25	INITIAL REVISION:			REVISION				
0 PLACES	±	DRWN: FYANG05 2019/10/17			2130830005				
DRAFT WHERE APPLICABLE MUST REMAIN WITHIN DIMENSIONS		THIRD ANGLE PROJECTION		DRAWING	SERIES	MATERIAL NUMBER	CUSTOMER	SHEET NUMBER	
				A3-SIZE	213083	2130830005	GENERAL MARKETING	4 OF 4	