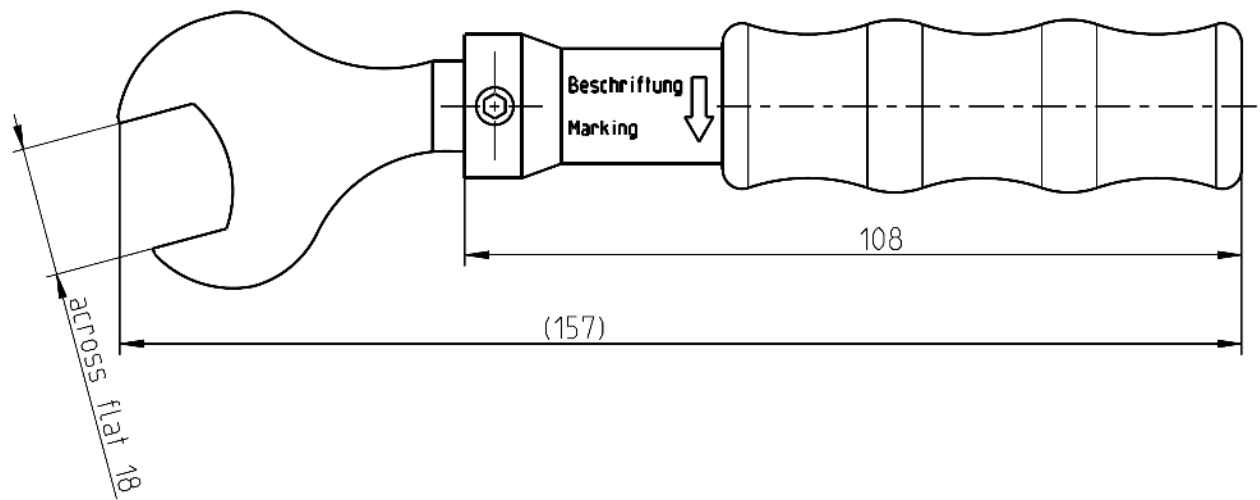


Labeled with Rosenberger-Logo, ident.no. and torque



All dimensions are in mm; tolerances according to ISO 2768 m-H

Documents

Application note

AN001 "Calibration Services"

Material and plating

Tooling parts

Spanner

Material

Stainless steel

Plating

Nickel, 2.5-5 µm

Mechanical data

Torque setting

2.00 Nm ± 0.10 Nm (force applied in the middle of handle)

Width across flats

18 mm

Declaration of calibration options

Factory Calibration

Standard delivery for this torque wrench includes a Factory Calibration. The Calibration Certificate issued reports individual mechanical calibration results, traceable to national / international standards.

Accredited Calibration

Not available.

For further, more detailed information see application note AN001 on the Rosenberger homepage.

Calibration interval

Recommendation 12 months

Packing

Standard 1 pce in box
Weight 154.5 g/pce

While the information has been carefully compiled to the best of our knowledge, nothing is intended as representation or warranty on our part and no statement herein shall be construed as recommendation to infringe existing patents. In the effort to improve our products, we reserve the right to make changes judged to be necessary.

Draft	Date	Approved	Date	Rev.	Engineering change number	Name	Date
Herbert Babinger	11/03/05	Martin Moder	27/04/16	f00	14-1492	M.Ruf	27/04/16
Rosenberger Hochfrequenztechnik GmbH & Co. KG P.O.Box 1260 D-84526 Tittmoning Germany www.rosenberger.de					Tel. : +49 8684 18-0 Email : info@rosenberger.de		Page 2 / 2