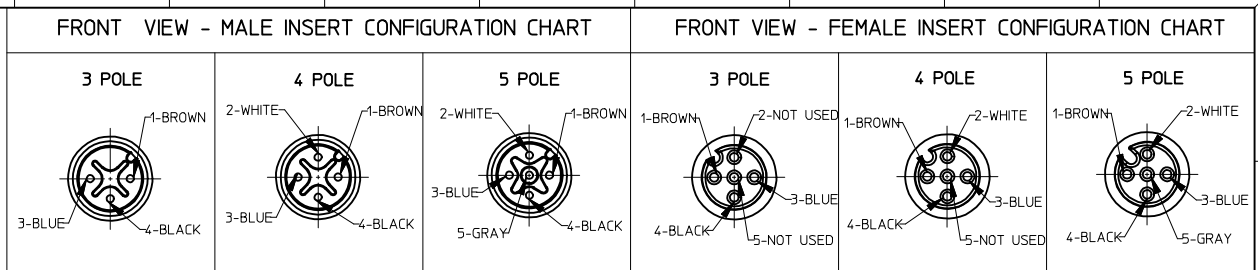
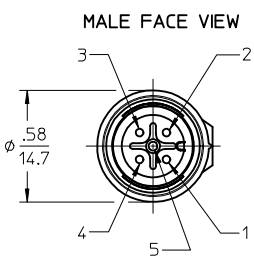
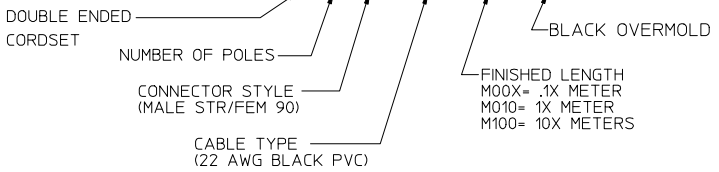


POLES	MATERIAL NO.	ENGINEERING NO.	FINISHED LENGTH
3	1200660032	NN3031A41M010G	3'3" +2.19"-0 (1M +55.6mm-0)
3	1200660033	NN3031A41M020G	6'7" +3.50"-0 (2M +88.9mm-0)
3	1200660034	NN3031A41M050G	16'5" +6.50"-0 (5M +165.1mm-0)
4	1200660040	NN4031A41M010G	3'3" +2.19"-0 (1M +55.6mm-0)
4	1200660041	NN4031A41M020G	6'7" +3.50"-0 (2M +88.9mm-0)
4	1200660042	NN4031A41M050G	16'5" +6.50"-0 (5M +165.1mm-0)

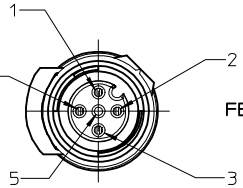
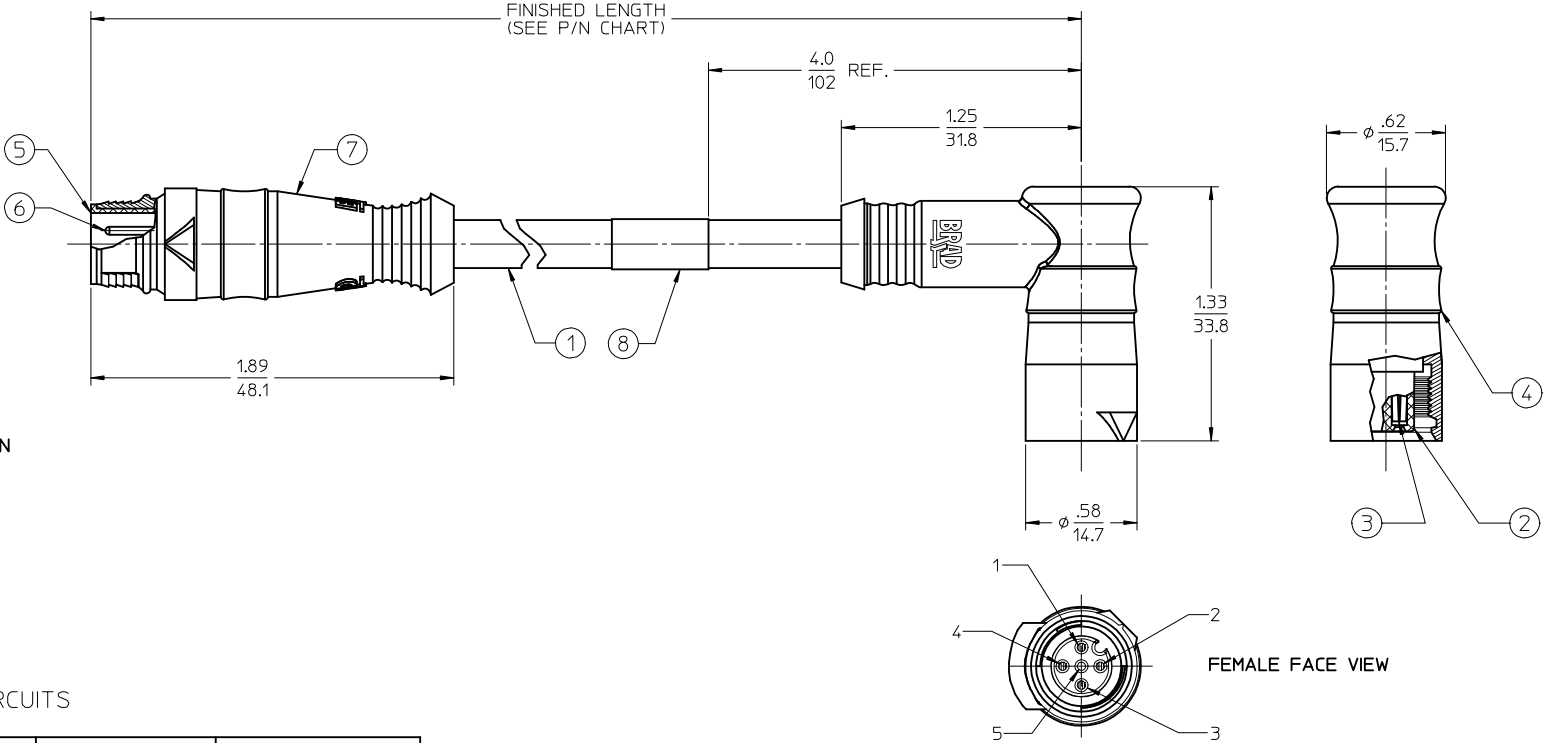


**CABLE P/N MATRIX**

**NNX031A41MXXXG**



SEE FRONT VIEW DETAIL FOR SPECIFIC PIN-OUT FOR EACH POLE CONFIGURATION



- NOTES:
1. MATERIAL: SEE TABLE
  2. FINISHES: SEE TABLE
  3. ELECTRICAL SPECIFICATIONS  
VOLTAGE RATING: 250V AC/DC  
CURRENT RATING: 4 AMPS
  4. XX REFERS TO NUMBER OF CIRCUITS

8	1	WRAP LABEL	VINYL	BLACK/YELLOW
7	1	MICRO-PUSH OVERMOLD (MALE STR)	TPE	BLACK
6	XX	CONTACT PIN	Cu ALLOY	GOLD PLATED
5	1	INSERT (MALE)	NYLON	BLACK
4	1	MICRO-PUSH OVERMOLD (90D FEMALE)	PVC	BLACK
3	XX	CONTACT SOCKET	Cu ALLOY	GOLD PLATED
2	1	INSERT (FEMALE)	NYLON	BLACK
1	A/R	CABLE, 22 AWG, UN SHLD	PVC JACKET	BLACK
ITEM	QTY.	DESCRIPTION	MATERIAL	FINISH

RELEASED EC NO: IFC2015-1589  
 2015/03/10  
 DRWINSTONE  
 2015/03/12  
 CHKDK JOZWIK  
 2015/03/17  
 APPR: JF MURPHY

QUALITY SYMBOLS  
 ▽=0  
 ▽=0

GENERAL TOLERANCES (UNLESS SPECIFIED)

	mm	INCH
4 PLACES	± .005	± .0004
3 PLACES	± .008	± .0003
2 PLACES	± .012	± .0005
1 PLACE	± .030	± .0012
0 PLACE	± .050	± .0020

ANGULAR ± 2°

DRAFT WHERE APPLICABLE MUST REMAIN WITHIN DIMENSIONS

DIMENSION STYLE IN/MM

SCALE 2:1

DESIGN UNITS INCH

THIRD ANGLE PROJECTION

DRAWN BY RSTONE DATE 2015/03/10

CHECKED BY K JOZWIK DATE 2015/03/12

APPROVED BY JFMURPHY DATE 2015/03/17

MATERIAL NO. SEE P/N CHART

TITLE  
**MIC PUSH-ON CABLE ASSY  
 MALE STR TO FEM 90 DEG  
 22 AWG CABLE**

**molex**

DOCUMENT NO. SD-120066-059

SHEET NO. 1 OF 1

THIS DRAWING CONTAINS INFORMATION THAT IS PROPRIETARY TO MOLEX INCORPORATED AND SHOULD NOT BE USED WITHOUT WRITTEN PERMISSION