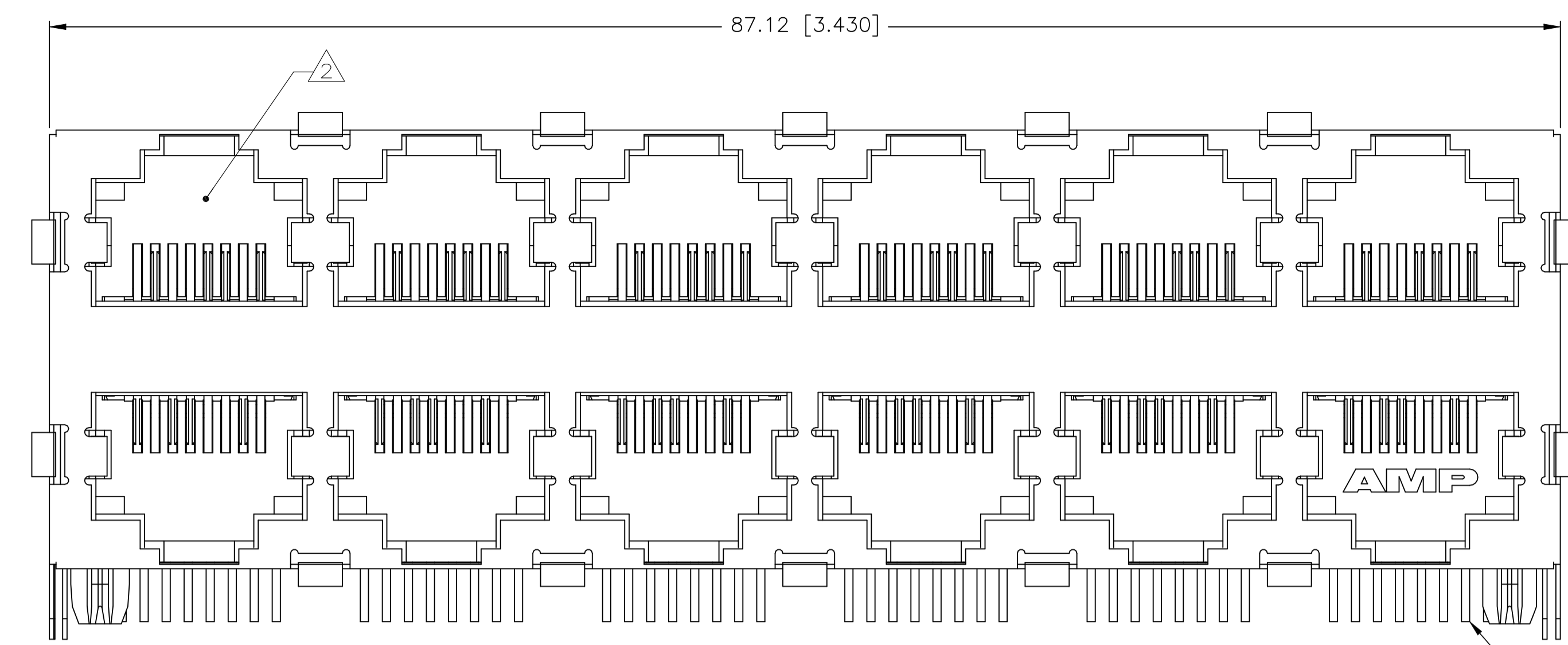
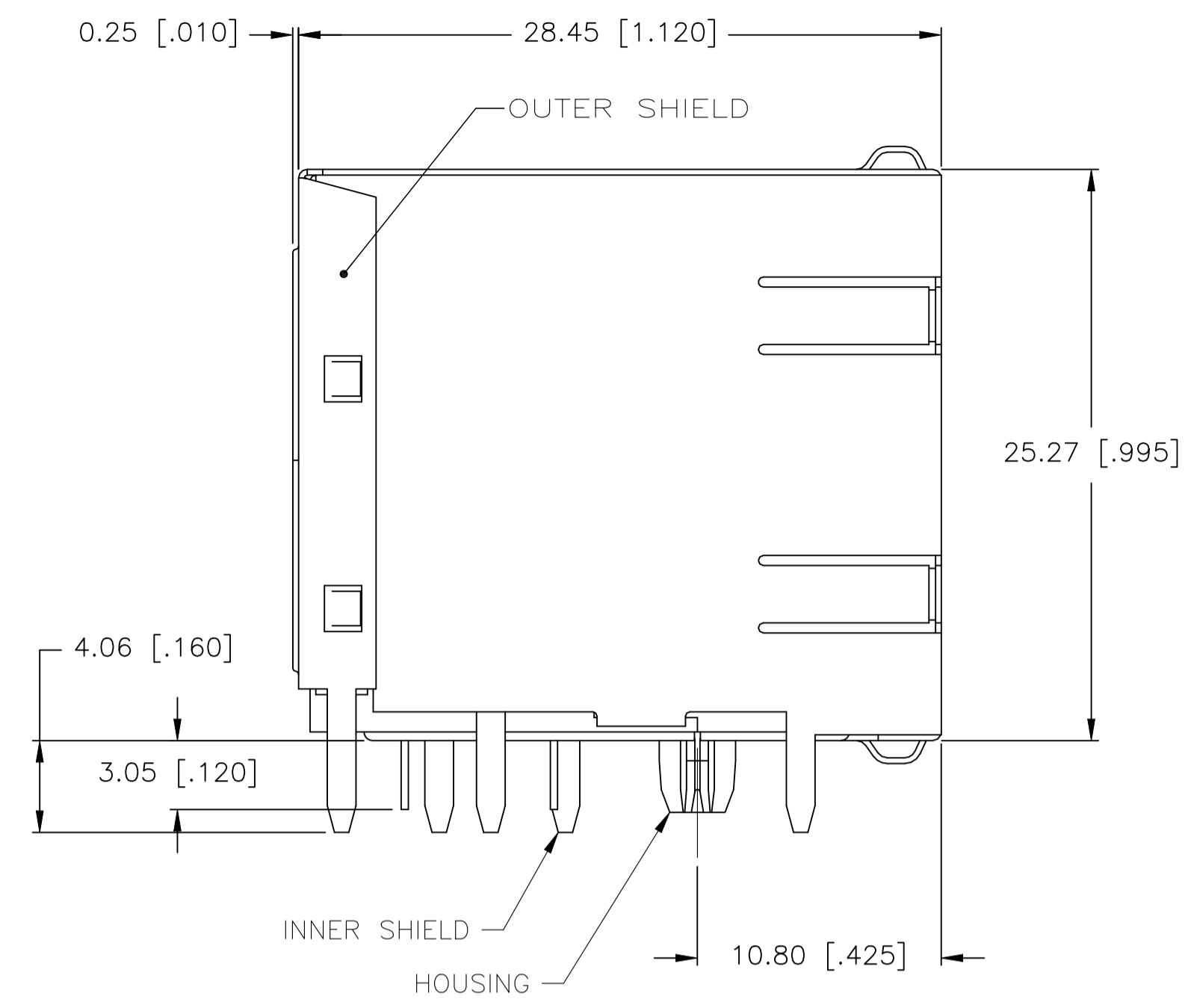


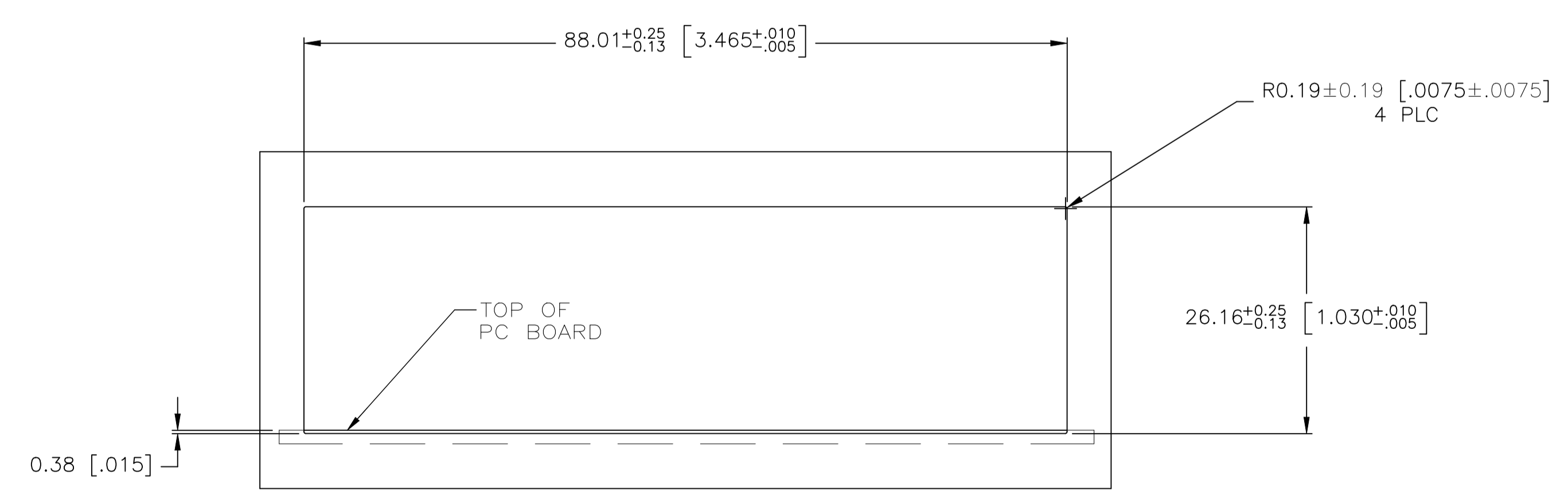
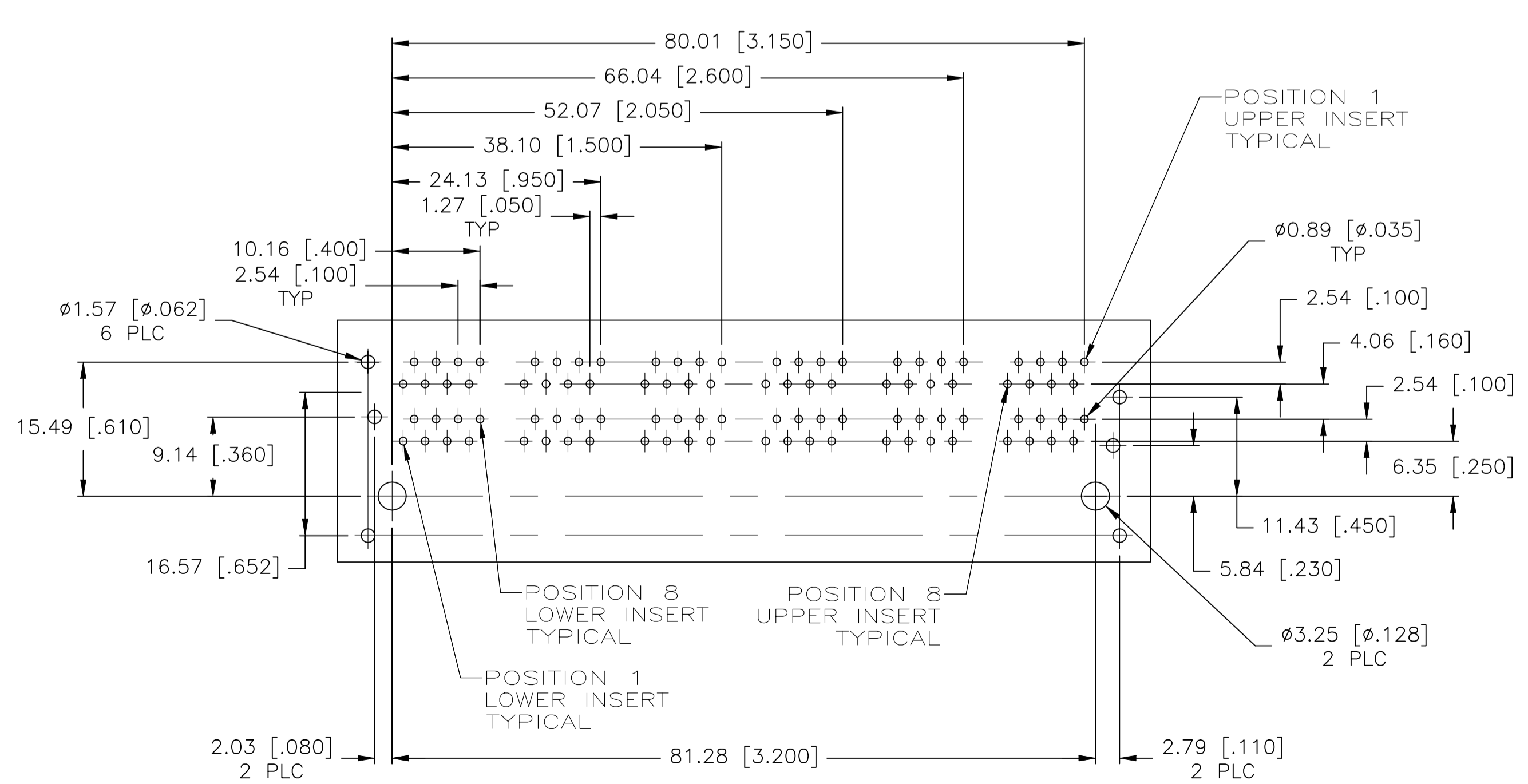
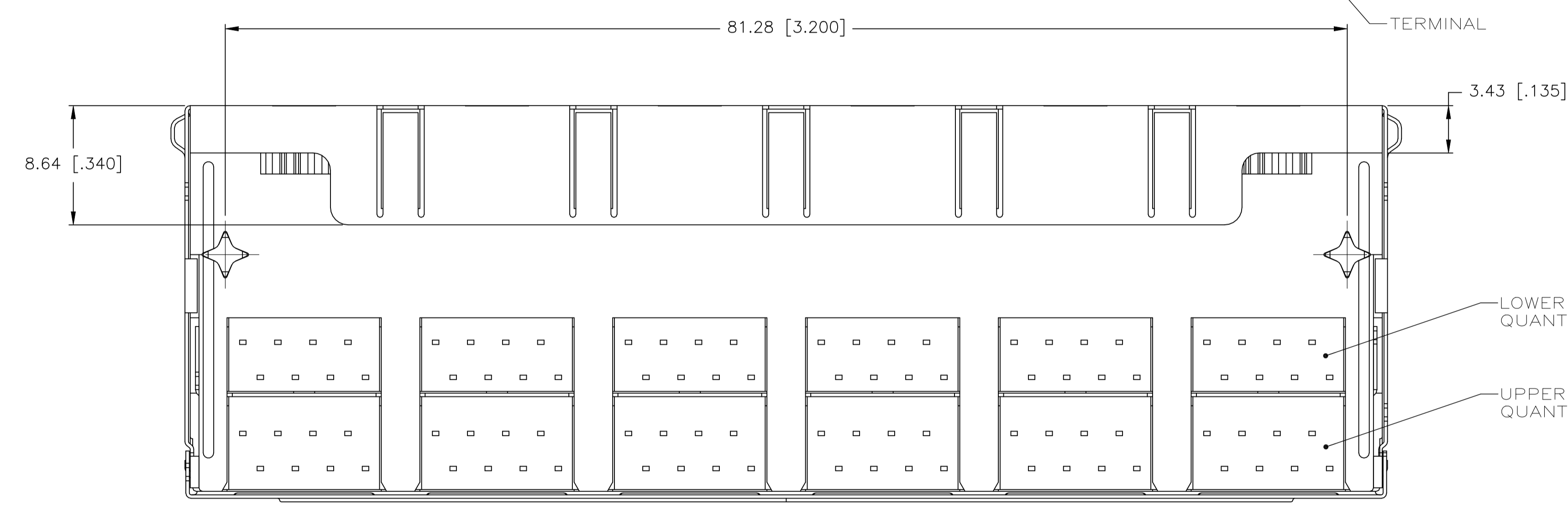
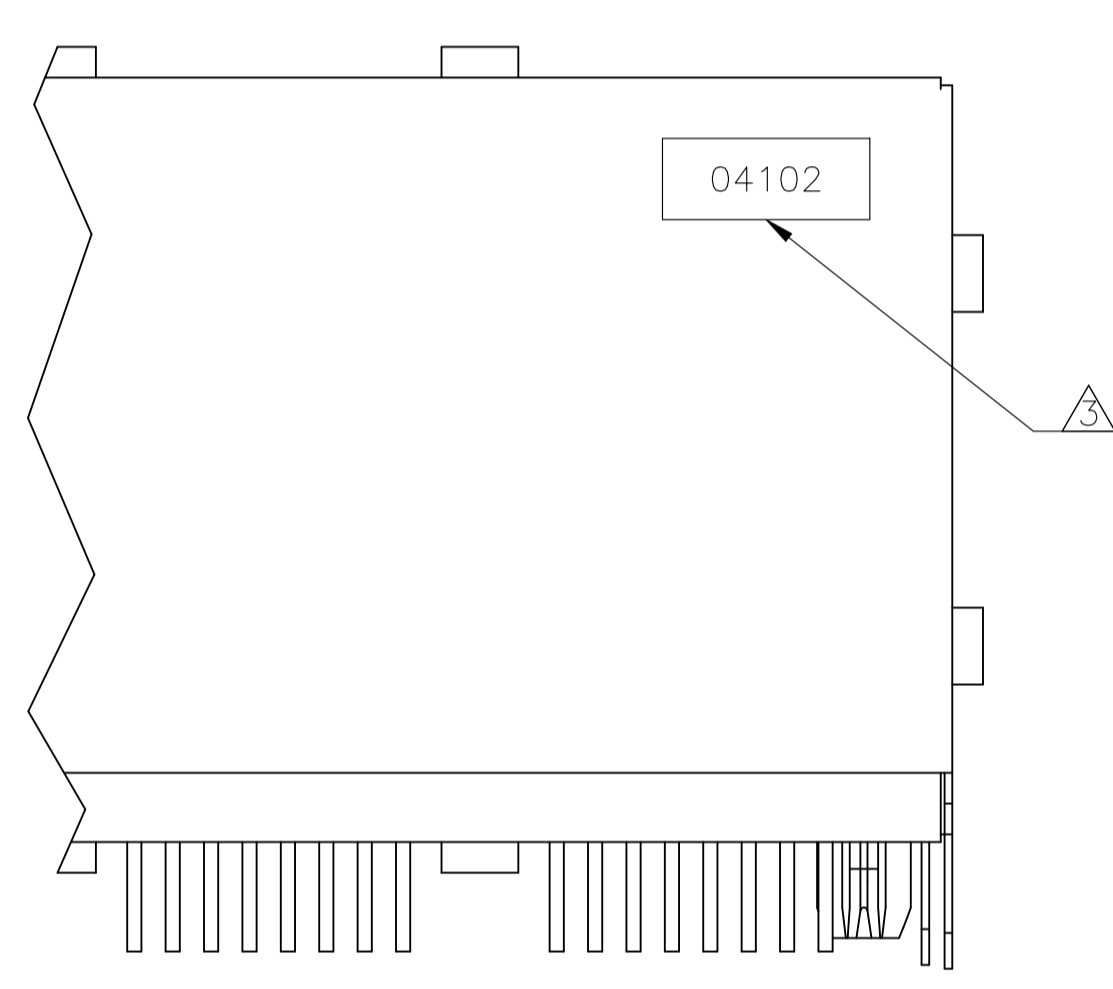
LOC		DIST		REVISIONS			
AA	22	REV	DATE	BY	CHK	APP'D	
C1		REVISED AS PER ECR-23-169440	20APR2023	JK	WH		



▲ MATERIAL:
 HOUSING - PCT POLYESTER, BLACK, UL94V-0.
 OVERMOLDED TERMINAL ARRAY - PBT, BROWN.
 TERMINALS - 0.33 [.013] THICK PHOS BRONZE
 PLATED WITH 1.27µm [.000050] MIN THICK
 HARD GOLD IN LOCALIZED AREA AND 3.81µm
 [.000150] MIN THICK MATTE TIN IN SOLDER
 AREA OVER 1.27µm [.000050] MIN THICK
 NICKEL UNDERPLATE.
 OUTER SHIELD AND INNER SHIELD - 0.25 [.010]
 THICK COPPER ALLOY PLATED WITH 1.27µm
 [.000050] MIN NICKEL AND 2.03µm [.000080]
 MIN HOT TIN DIP ON PCB GROUND TABS.

▲ JACK CAVITY CONFORMS TO FCC RULES AND
 REGULATIONS, PART 68 SUBPART F.

▲ DATE CODE LOCATED ON REAR OF PART
 APPROX. AS SHOWN.
 FIRST 2 DIGITS ARE LAST 2 DIGITS OF YEAR,
 SECOND 2 DIGITS ARE MANUFACTURING WORK
 WEEK,
 LAST DIGIT IS DAY OF WEEK, WITH SUNDAY = 1.



SUGGESTED PANEL CUTOUT DIMENSIONS
 SCALE 2:1

PC BOARD LAYOUT VIEWED FROM COMPONENT SIDE
 SCALE 2:1

5406494-1
 PART NUMBER

THIS DRAWING IS A CONTROLLED DOCUMENT.		DIN	25MAY2005	Tyco Electronics Corporation Harrisburg, Pa 17105-3608
DIMENSIONS: mm [INCHES]		D. STRAUSSER / L.A. MAYER	25MAY2005	
TOLERANCES UNLESS OTHERWISE SPECIFIED:		CHK	J. WESTMAN	NAME S. FLICKINGER
0 PLC ± -		APP'D	S. FLICKINGER	
1 PLC ± -		PRODUCT SPEC		108-1163-2
2 PLC ± 0.25(.01)		APPLICATION SPEC		114-2048
3 PLC ± 0.13(.005)		SIZE		A1
4 PLC ± -		CAGE CODE		00779
ANGLES ± -		DRAWING NO		5406494
MATERIAL SEE NOTE 1		FINISH SEE NOTE 1		RESTRICTED TO
		WEIGHT		-
		CUSTOMER DRAWING		SCALE 4:1 SHEET 1 of 1 REV C