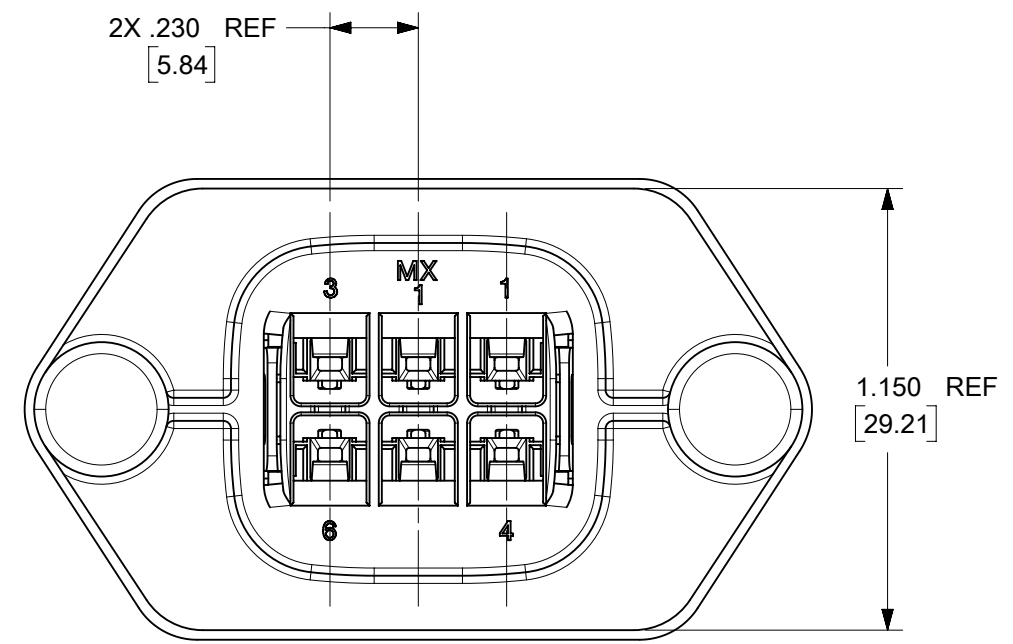
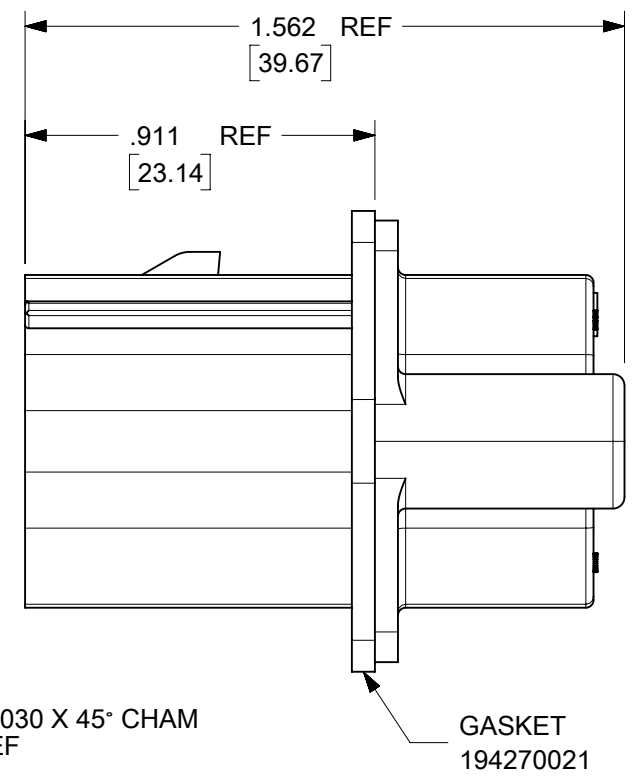
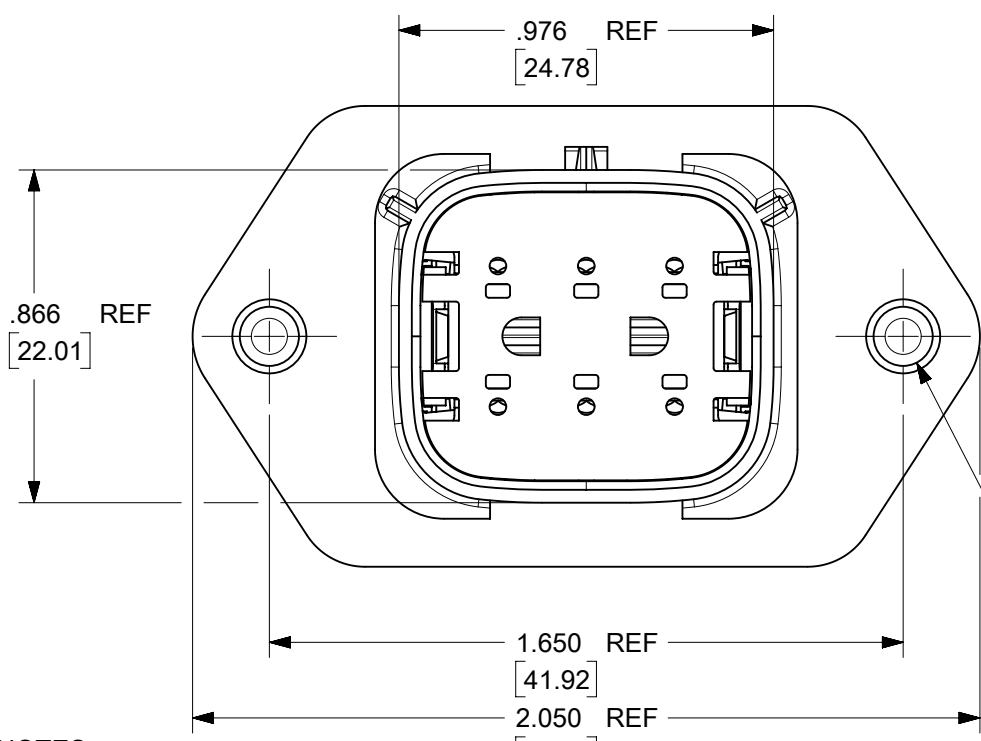


SCALE 1:1



- NOTES:**
- MATERIALS:** (D)
HOUSING: SYNDIOTACTIC POLYSTYRENE (SPS), GLASS FILLED, UL94 V-0, COLOR: BLACK
GASKET: EPDM RUBBER
 - PRODUCT SPECIFICATION:** PS-19417-001.
 - PACKAGING SPECIFICATION:** PK-19429-001.
GASKETS, IF REQUIRED FOR THE ASSEMBLIES, ARE BULK PACKAGED IN A SEPARATE BAG.
 - MATES WITH:** 19418 SERIES RECEPTACLE ASSEMBLIES.
 - USE CONNECTOR WITH MALE CRIMP TERMINAL:** SERIES 19417.
 - RECOMMENDED MOUNTING HARDWARE:** (2)#10 X .62/15.8 LONG PLASTIC THREAD CUTTING SCREWS. RECOMMENDED TORQUE 15-17 IN-LBS.
SUGGESTED SOURCE: ITW SHAKEPROOF INDUSTRIAL BOSSCREW OR EQUIVALENT.
 - ASSEMBLY IS ROHS COMPLIANT.**

194290036	YES
194290010	NO
MATERIAL NUMBER	GASKET

THIS DRAWING CONTAINS INFORMATION THAT IS PROPRIETARY TO MOLEX ELECTRONIC TECHNOLOGIES, LLC AND SHOULD NOT BE USED WITHOUT WRITTEN PERMISSION											
FUNCTIONAL SYMBOLS	THIS DRAWING CONTAINS INFORMATION THAT IS PROPRIETARY TO MOLEX ELECTRONIC TECHNOLOGIES, LLC AND SHOULD NOT BE USED WITHOUT WRITTEN PERMISSION	SCALE		CURRENT REV DESC: REDRAWN IN NX & HSG MATERIAL UPDATED							
	in/[mm]	2:1									
DIVISIONAL SYMBOLS	GENERAL TOLERANCES (UNLESS SPECIFIED)			EC NO: 690910							
	MM	INCH		DRWN: RMY02 2021/12/20							
4 PLACES ±				CHK'D: DMYRICK 2022/01/05							
3 PLACES ±		± 0.015		APPR: JMACNEIL 2022/01/06							
2 PLACES ±	0.38			INITIAL REVISION:							
1 PLACE ±				DRWN: DMYRICK 03/11/10							
0 PLACES ±				APPR: DTITUS 2010/10/18							
ANGULAR TOL ± 1.0°				THIRD ANGLE PROJECTION		DRAWING	SERIES	MATERIAL NUMBER	CUSTOMER	SHEET NUMBER	
DRAFT WHERE APPLICABLE MUST REMAIN WITHIN DIMENSIONS				B-SIZE		19429	SEE CHART	GENERAL MARKET	1 OF 1		

molex

6 WAY PLUG PANEL MOUNT ASSEMBLY 22-14 AWG

PRODUCT CUSTOMER DRAWING

DOCUMENT STATUS	P1	RELEASE DATE	2022/01/06	14:54:29
-----------------	----	--------------	------------	----------