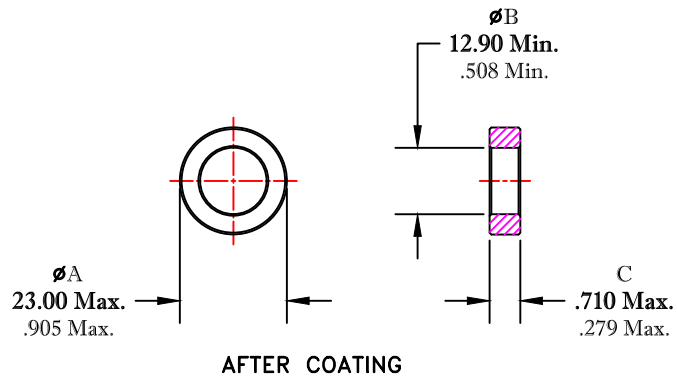


\*\* Not all features are shown in this drawing. For more detailed information, please contact your Fair-Rite representative.

UNCONTROLLED ~CATALOG~ DRAWING

SIZE	PART NO.	REV.
B	5977001821	~



DIMENSIONS  
**BOLD NUMBERS ARE IN MILLIMETERS**  
 LIGHT NUMBERS ARE IN INCHES

ELECTRICAL SPECIFICATIONS						
$\Sigma l/A(\text{mm}^{-1})$	$l_e$ (mm)	$A_e$ (mm <sup>2</sup> )	$V_e$ (mm <sup>3</sup> )	$L_o$ (nH)	$A_L$ (nH) @10 kHz <10gauss	$\tan \delta/\mu_1$ @100 kHz <1gauss
2.0692	54.2	26.2	1416	0.607	1305 $\begin{smallmatrix} +25\% \\ -30\% \end{smallmatrix}$	$\leq 20 \times 10^{-6}$

NOTES:

- 1 - THIS PART TO BE THERMOSET PLASTIC COATED, USE APPROVED FR# 5977001801.
- 2 - COATING THICKNESS = 0.25mm [.010"] MAX.
- 3 - COATED TOROID TO WITHSTAND A MINIMUM BREAKDOWN VOLTAGE OF 1000 Vrms, WHEN UNIFORMLY APPLIED ACROSS THE "C" DIMENSION.

FR# 77

<b>FAIR-RITE PRODUCTS CORP.</b>						
TITLE COATED TOROID						
DRAWN BY J.SERENCISCS	DATE 07-17-2018	SIZE <b>B</b>	PART NO. 5977001821	REV. ~		
CHKD BY					SCALE NONE	SHEET 1 of 1
APPRVD BY						