

# PSD-S OE LED ...

## LED permanent light element, 24 V AC/DC



Data sheet  
7949\_en\_01

© PHOENIX CONTACT 2015-05-04

### 1 Description

This optical signal element is part of a modular signal tower. According to your requirements, a signal tower may comprise any combination of up to five signal elements. You may use up to five optical signal elements or up to four optical and one audible signal element.

An audible signal element can be used as top element only.

A bayonet locking system establishes the mechanical and electrical connection between the elements.

Connection elements with spring-cage or screw connection can be used for electrical connection of the signal tower.

Mounting elements for base or tube mounting can be used to mount the signal tower.

#### Features

- LED permanent light element for 24 V AC/DC
- Colors: Red, green, yellow, blue and clear
- Degree of protection: IP65, when installed or with cover



Make sure you always use the latest documentation.  
It can be downloaded from the product at [phoenixcontact.net/products](http://phoenixcontact.net/products).

---

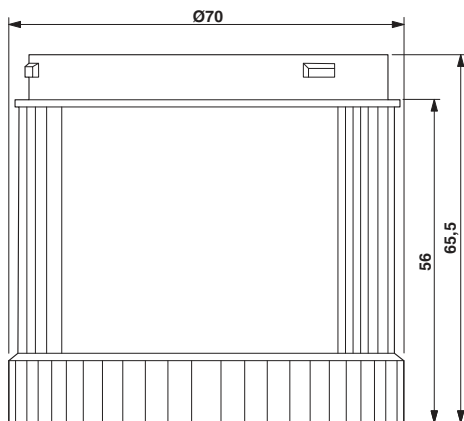
<b>2</b>	<b>Table of contents</b>	
1	Description .....	1
2	Table of contents .....	2
3	Ordering data .....	3
4	Technical data .....	3
5	Example of a signal tower .....	4
6	Assembly notes for a signal tower .....	4
7	Assembling the individual elements.....	5
8	Example for signal tower dimensions .....	5

### 3 Ordering data

Description	Type	Order No.	Pcs./Pkt.
LED permanent light element, 24 V AC/DC, red	PSD-S OE LED RD	2700107	1
LED permanent light element, 24 V AC/DC, green	PSD-S OE LED GN	2700119	1
LED permanent light element, 24 V AC/DC, yellow	PSD-S OE LED YE	2700122	1
LED permanent light element, 24 V AC/DC, clear	PSD-S OE LED CL	2700127	1
LED permanent light element, 24 V AC/DC, blue	PSD-S OE LED BU	2700131	1

### 4 Technical data

#### Dimensions (in mm)



Diameter	70 mm
Height	65.5 mm

#### General data

Material	Polycarbonate PC
Calotte color : PSD-S OE LED RD	red
Calotte color : PSD-S OE LED GN	green
Calotte color : PSD-S OE LED YE	yellow
Calotte color : PSD-S OE LED CL	clear
Calotte color : PSD-S OE LED BU	blue
Weight	58 g
Ambient temperature (operation)	-30 °C ... 50 °C
Degree of protection	IP65, when installed or with cover
Mounting position	any
Connection	Rubber seal pre-installed for each element

#### Electrical data

Input voltage	24 V AC/DC
Inrush current	max. 500 mA
Current consumption	30 mA
Optical signal type	Permanent light

**Electrical data**

Source of light type	LED
Service life, electrical	max. 100,000 h
Operating time	100 %

**Approvals / conformities**

Conformance with EMC Directive 2004/108/EC

For the latest approvals, please visit [phoenixcontact.net/products](http://phoenixcontact.net/products).

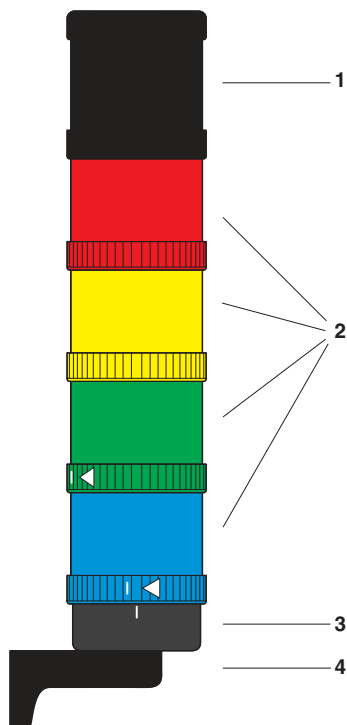
**5 Example of a signal tower**

Figure 1 Example of a signal tower

Key:

- 1 Audible signal element
- 2 Optical signal element
- 3 Connection element
- 4 Assembly element

**6 Assembly notes for a signal tower**

- Only use a maximum of five elements within a signal tower.
- Use only one audible element in a signal tower and position this element on top.
- When closing the bayonet locking system, observe the markings (see "Assembling the individual elements").

## 7 Assembling the individual elements

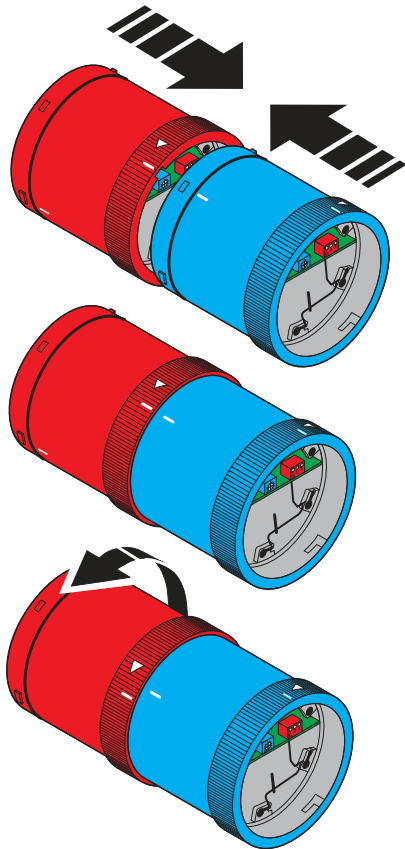


Figure 2 Assembling the individual elements

- Select the elements for your application.
- Connect the elements to be assembled so that the markings are aligned.
- Turn the upper element in the direction of the arrow.

## 8 Example for signal tower dimensions

The following figure shows the dimensions of a typical signal tower.

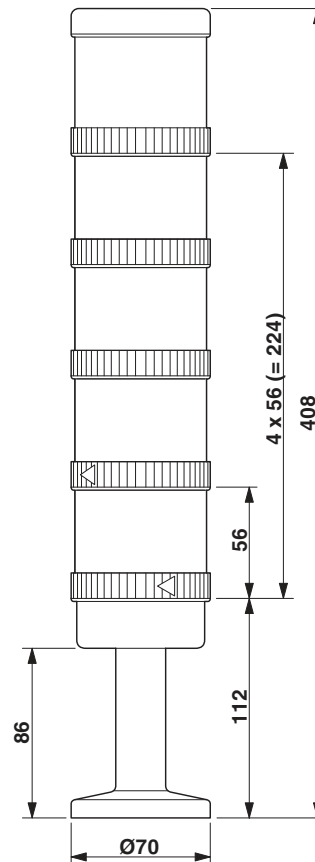


Figure 3 Dimensions of a signal tower (example)