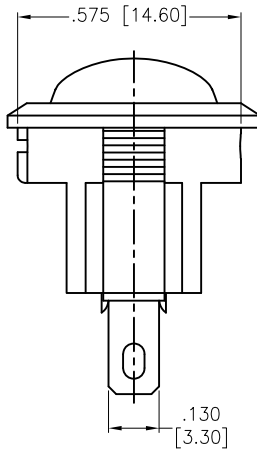
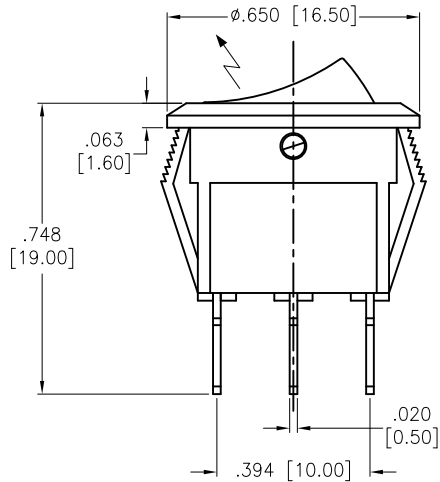
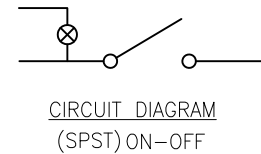
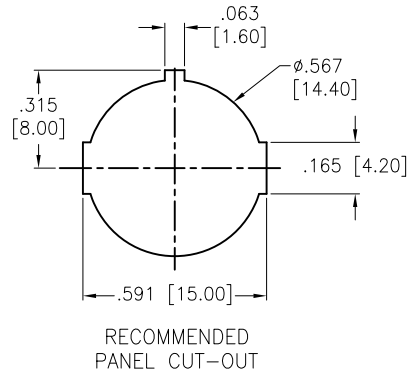
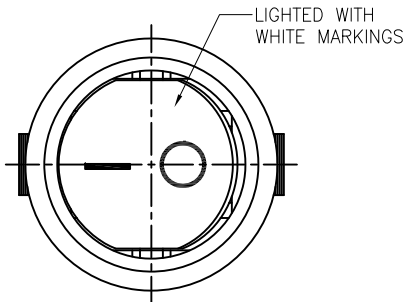


APPROVED: \_\_\_\_\_  
 DATE: \_\_\_\_\_ TITLE: \_\_\_\_\_

Rev	AWO #	Description	Date	Appr
-		RELEASED	11/18/21	



SW-R3-1A-A-LXXX-2

	Lighted Actuator	Actuator Markings	LED Voltage	
W	Lighted White	1	1	3V
R	Lighted Red	2	2	6V
G	Lighted Green	3	3	12V
Y	Lighted Yellow (Amber)	4	4	24V
B	Lighted Blue	5	5	48V
O	Lighted Orange		6	110V
			7	220V

Replace "x" in P/N with the corresponding switch color and marking

**SPECIFICATIONS:**

Body: Nylon 66, Color Black, Rated UL 94V-0  
 Terminal: Brass, Silver plated  
 Button: Nylon 66, Lighted color (See Chart). White color markings  
 Electrical:  
 The rated load: 250V AC, 3A  
 125V AC, 6A  
 Contact resistance: 50 mohms max  
 Insulation resistance: 100 Mohms min  
 Dielectric withstanding voltage: 1500 VAC/5S min  
 Mechanical:  
 Electrical life: 10000 Cycles min  
 Temperature Rating:  
 Operating temperature: -25°C to +85°C  
 Environmental:  
 Lead free, RoHS compliant



UNLESS OTHERWISE SPECIFIED ALL DIMENSIONS ARE INCHES [MM]. TOLERANCES: EXCEPT AS NOTED

INCHES		HOLES	
.x	±.10	Øx	±.10
.xx	±.020	Øxx	±.015
.xxx	±.015	Øxxx	±.010



909 Rahway Avenue,  
 Union, NJ 07083  
 Phone: 908-687-5000  
 Fax: 908-687-5710

DRAWN	JJ	11/18/21
CHECKED	RC	11/18/21
APPROVED		

TITLE SWITCH, SUB MINIATURE ROCKER, SPST, ON-OFF, SOLDER TYPE, LIGHTED

THIS DRAWING CONTAINS INFORMATION THAT IS PROPRIETARY AND SHOULD NOT BE USED WITHOUT PRIOR WRITTEN PERMISSION FROM ADAM TECH

SIZE X	PART NO. SW-R3-1A-A-LXXX-2	REV. X
REF: S00206C	SCALE: NTS	SHEET 1 OF 1