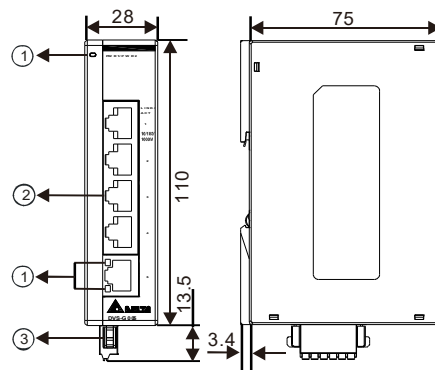


EN Dimensions(mm) & Product Profile

TR Ölçüler(mm) & Ürün Görünüşü

TW 尺寸 (mm) 及產品外觀

CN 尺寸 (mm) 及產品外觀



EN	TR	TW	CN
1 LED indicator	LED gösterge	LED 指示燈	LED 指示灯
2 Ethernet port(RJ45)	Ethernet bağlantı noktası (RJ45)	Ethernet 通訊埠 (RJ45)	Ethernet 通讯口 (RJ45)
3 Power terminal	Güç terminali	電源輸入端子台	电源输入端子台

EN	TR	TW	CN
LED indicator	LED gösterge	LED 指示燈	LED 指示灯
PWR1/PWR2	Green ON/OFF	Power ON/OFF	
LINK/ACT	Green ON/OFF	RJ45 Port Link ON/OFF	
	Green Flash	RJ45 Port ACT	
10/100/1000M	Yellow ON	RJ45 Port Speed is 1000Mbps	
	Yellow OFF	RJ45 Port Speed is 10/100Mbps	

EN	TR	TW	CN
Specification	Spesifikasyonu	產品規格	产品规格
Model Description	5 ports Unmanaged Giga Ethernet Switch		
Power Supply	+12V ~ +48VDC, Max 3.6W, Redundant input, CLASS III Supplied by SELV/LPS/CLASS 2 Power Source		Features
			RJ45 Port
Operation/Storage Tem.	-20°C ~ 70°C/-40°C ~ 85°C		Weight
Pollution degree	2		125g
			<ul style="list-style-type: none"> IEEE 802.3x Flow Control IP40 (Self declaration)
			10/100/1000Base-T, Auto MDI/MDI-X

Part Name	Hazardous Substances						台達電子工業股份有限公司 機電事業群 地址：33068 桃園市桃園區興隆路 18 號 電話：886-3-3626301 傳真：886-3-3716301	Industrial Automation Headquarters Delta Electronics, Inc. Taoyuan Technology Center No.18, Xinglong Rd., Taoyuan District, Taoyuan City, 33068, Taiwan TEL: 886-3-362-6301 / FAX: 886-3-371-6301
	Pb	Hg	Cd	Cr VI	PBB	PBDE		
Metal Part	X	O	O	O	O	O	中達電通股份有限公司 地址：上海市浦東新區民夏路 238 號 郵編：201209 電話：(021) 5863-5678 傳真：(021) 5863-0003	Delta Greentech (China) Co., Ltd. 238 Min-Xia Road, Pudong District, Shanghai, P.R.C. 201209 TEL: 86-21-5863-5678 / FAX: 86-21-5863-0003
Plastic Part	O	O	O	O	O	O		
Electronic	X	O	O	O	O	O	上海 電話：(021)6301-2827 南昌 電話：(0791)8625-5010 武漢 電話：(027)8544-847 長沙 電話：(0731)8827-7881 濟南 電話：(0531)8690-7277 鄭州 電話：(0371)6384-2772 烏魯木齊 電話：(0991)4678-141 西安 電話：(029)8636-0780 沈陽 電話：(024)2334-16123	南京 電話：(025)8334-6585 杭州 電話：(0571)8882-0610 廈門 電話：(0592)5313-601 廣州 電話：(020)3879-2175 天津 電話：(022)2301-5082 太原 電話：(0351)4039-475 重慶 電話：(023)8806-0306 哈爾濱 電話：(0451)5366-0643
Contacts	O	O	X	O	O	O		
Cable & Cabling accessories	X	O	O	O	O	O		
Battery	O	O	O	O	O	O		

<p>This table is made according to SJ/T 11364.</p> <p>O: Indicates that the concentration of hazardous substance in all of the homogeneous materials for this part is below the limit as stipulated in GB/T 26572.</p> <p>X: Indicates that concentration of hazardous substance in at least one of the homogeneous materials used for this part is above the limit as stipulated in GB/T 26572.</p>	<p>Asia</p> <p>Delta Electronics (Shanghai) Co., Ltd. No.182 Minyu Rd., Pudong Shanghai, P.R.C. Post code: 201209 TEL: 86-21-6872-3988 / FAX: 86-21-6872-3996 Customer Service: 400-820-9595</p> <p>Delta Electronics (Japan), Inc. Tokyo Office Industrial Automation Sales Department 2-1-14 Shibadimon, Minato-ku Tokyo, Japan 105-0012 TEL: 81-3-5733-1155 / FAX: 81-3-5733-1255</p> <p>Delta Electronics (Korea), Inc. Seoul Office 1511, 219, Gasan Digital 1-Ro., Geumcheon-gu, Seoul, 06501 South Korea TEL: 82-2-515-5305 / FAX: 82-2-515-5302</p> <p>Delta Energy Systems (Singapore) Pte Ltd. 4 Kaki Bukit Avenue 1, #05-04, Singapore 417939 TEL: 65-6747-5155 / FAX: 65-6744-9228</p> <p>Delta Electronics (India) Pvt. Ltd. Plot No.43, Sector 35, HSIIDC Gurgaon, PIN 122001, Haryana, India TEL: 91-124-4874900 / FAX: 91-124-4874945</p> <p>Delta Electronics (Thailand) PCL. 909 Soi 9, Moo 4, Bangpoo Industrial Estate (E.P.Z), Pattana 1 Rd., T.Phraksa, A Muang, Samutprakarn 10280, Thailand TEL: 66-2709-2800 / FAX: 662-709-2827</p> <p>Delta Energy Systems (Australia) Pty Ltd. Unit 20-21/45 Normanby Rd., Notting Hill Vic 3168, Australia TEL: 61-3-9543-3720</p>	<p>Americas</p> <p>Delta Electronics (Americas) Ltd. Raleigh Office P.O. Box 12173, 5101 Davis Drive, Research Triangle Park, NC 27709, U.S.A. TEL: 1-919-767-3813 / FAX: 1-919-767-3969</p> <p>Delta Greentech (Brasil) S/A São Paulo Office Rua Itapeva, 26 - 3º Andar - Bela Vista CEP: 01332-000 - São Paulo - SP - Brasil TEL: 55-11-3530-8642 / 55-11-3530-8640</p> <p>Delta Electronics International Mexico S.A. de C.V. Mexico Office Via Dr. Gustavo Baz No. 2160, Colonia La Loma, 54060 Tlalneantla Estado de Mexico TEL: 52-55-2628-3015 #3050/3052</p> <p>EMEA</p> <p>Headquarter: Delta Electronics (Netherlands) B.V. Sales: Sales.IA.EMEA@deltaww.com Marketing: Marketing.IA.EMEA@deltaww.com Technical Support: Iatechnicalsupport@deltaww.com Customer Support: Customer-Support@deltaww.com Service: Service.IA.amea@deltaww.com TEL: +31(0)40 800 3800</p> <p>BENELUX: Delta Electronics (Netherlands) B.V. De Wittebeeg 26, 5652 AG Eindhoven, The Netherlands Mail: Sales.IA.Benelux@deltaww.com TEL: +31(0)40 800 3800</p> <p>DACH: Delta Electronics (Netherlands) B.V. Coesteringe 45, D-59191 Soest, Germany Mail: Sales.IA.DACH@deltaww.com TEL: +49(0)2921 997 0</p>	<p>France: Delta Electronics (France) S.A. ZI du bols Chailand 2, 15 rue des Pyrénées, Lisieux, 91090 Evry Cedex, France Mail: Sales.IA.FR@deltaww.com TEL: +33(0)1 89 77 82 80</p> <p>Iberia: Delta Electronics Solutions (Spain) S.L.U Ctra. De Villaverde a Vallecas, 265 1º Dcha Ed. Homiguarras - P.I. de Vallecas 28031 Madrid TEL: +34(0)91 223 74 20 C/Julia, 321-329 (edifici CANC) 22@Barcelona, 08019 Barcelona Mail: Sales.IA.Iberia@deltaww.com TEL: +34 93 303 00 00</p> <p>Italy: Delta Electronics (Italy) S.r.l. Ufficio di Milano Via Serraglia 18/2 20161 Milano (MI) Piazza Graziosi 16 00166 Roma Italy Mail: Sales.IA.Italy@deltaww.com TEL: +39 02 64672538</p> <p>Russia: Delta Energy System LLC Vereyskaya Plaza II, office 112 Vereyskaya str. 17 121357 Moscow Russia Mail: Sales.IA.RU@deltaww.com TEL: +7 495 644 3240</p> <p>Turkey: Delta Greentech Elektronik San. Ltd. Sti. (Turkey) Sarıfai Mah. Hürriyet Cad. Kule Sok. No:16 A 34775 Ümraniye - İstanbul Mail: Sales.IA.Turkey@deltaww.com TEL: +90 216 499 9910</p> <p>GCC: Delta Energy Systems AG (Dubai BR) P.O. Box 95988, Gate 7, 3rd floor, Hamraiyah Centre Dubai, United Arab Emirates Mail: Sales.IA.MEA@deltaww.com TEL: +971(0)4 2690148</p> <p>Egypt + North Africa: Delta Electronics 511 Cairo Business Plaza, North 30 street, New Cairo, Cairo, Egypt Mail: Sales.IA.MEA@deltaww.com</p>
--	---	--	---