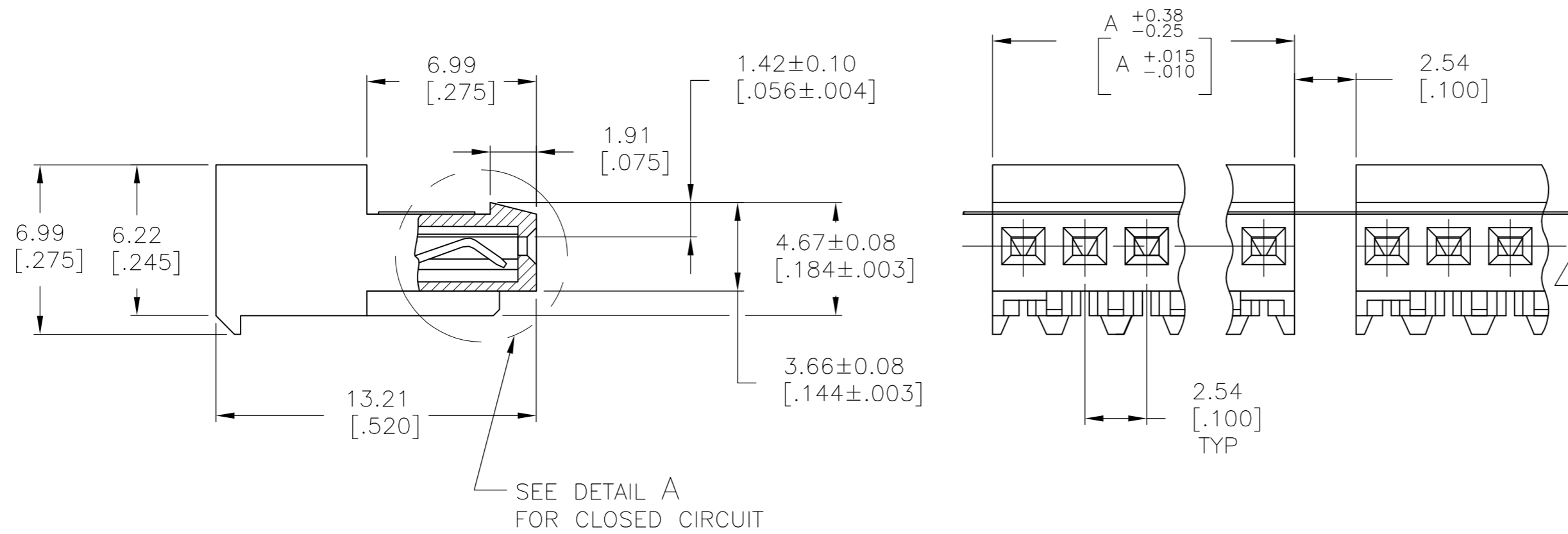
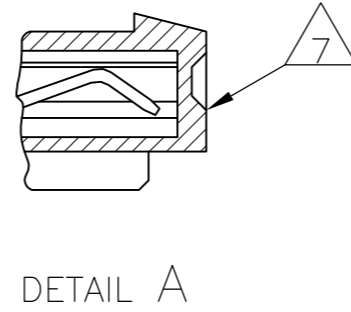
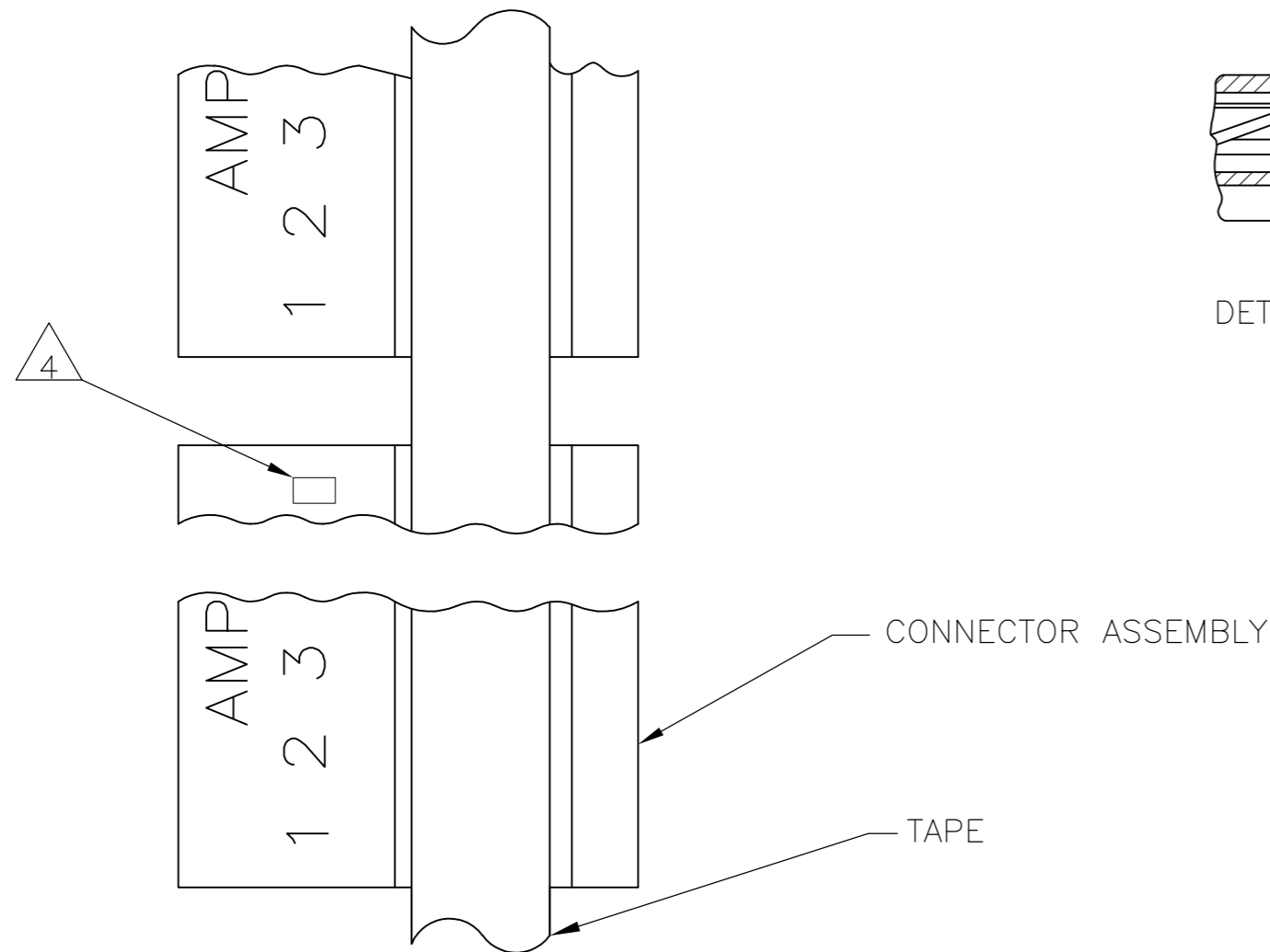


THIS DRAWING IS UNPUBLISHED. RELEASED FOR PUBLICATION  
 © COPYRIGHT BY TYCO ELECTRONICS CORPORATION. ALL RIGHTS RESERVED.

LOC	DIST	REVISIONS			
P	LTR	DESCRIPTION	DATE	DWN	APVD
CM	00	E	REVISED PER ECR-17-018812	12FEB2018	BDA SG

- 1 MATERIAL: CONNECTOR - NYLON UL94V-2 (YELLOW).  
 CONTACTS - 0.30[.012] THICK COPPER ALLOY  
 MATTE WHISKER MITIGATED TIN  
 0.00203[.000080] MIN THICKNESS  
 OVER NICKEL UNDERPLATE OR BRIGHT  
 TIN-LEAD 93/7 0.00203[.000080] MIN  
 THICKNESS. SEE FINISH COLUMN FOR  
 PLATING TYPE.
- 2. CONTACTS ACCEPT 28 AWG WIRE WITH 1.52[.060] MAX  
 INSULATION DIAMETER.
- 3. CONTACTS MUST ACCEPT 0.64±0.03[.025±.001]  
 POST AND REMAIN LOCKED IN POSITION.
- 4 IDENTIFICATION NUMBER FOR LAST CIRCUIT MAY  
 NOT APPEAR ON ALL ASSEMBLIES.
- 5. DIMENSIONS IN BRACKETS ARE IN INCHES.
- 6. HOUSING FEATURES ARE: CLOSED END WITH LOCKING  
 RAMP.
- 7 DETAIL A SHOWS CIRCUIT NO.3 & 5 MOLDED CLOSED.
- 8 OBSOLETE PARTS



FINISH	DIM A	NO OF CIRCUITS	PART NO
TIN	22.86 [.900]	9	3-644483-9
<del>SUPERSEDED TIN-LEAD</del>	<del>22.86 [.900]</del>	<del>9</del>	<del>644483-9</del>

THIS DRAWING IS A CONTROLLED DOCUMENT.

DWN B. LEWIS 22 APR 91	Tyco Electronics Corporation Harrisburg, Pa 17105-3608
CHK R. SWING 22 APR 91	
APVD G. MILLER 22 APR 91	
NAME	
DIMENSIONS: mm [INCHES]	PRODUCT SPEC 108-1050
TOLERANCES UNLESS OTHERWISE SPECIFIED: 0 PLC ± - 1 PLC ± - 2 PLC ± - 3 PLC ± - 4 PLC ± - ANGLES ± -	APPLICATION SPEC 114-1019
MATERIAL 1	WEIGHT
FINISH 1	SCALE 5:1

CUSTOMER DRAWING

SIZE A2	CAGE CODE 00779	DRAWING NO C=644483	RESTRICTED TO -
SHEET 1	OF 1	REV E	