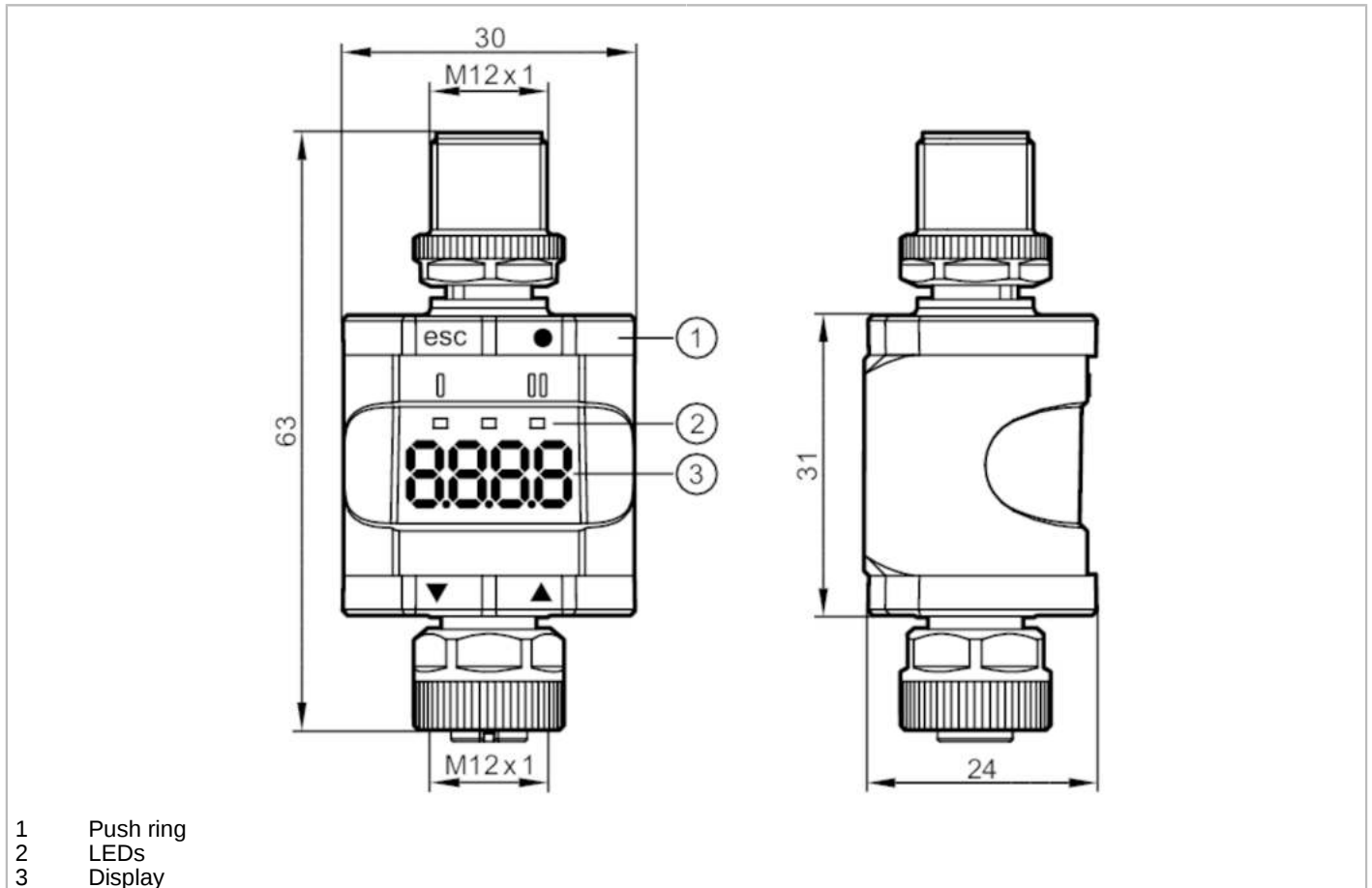


DP2302



Counter

Monitoring Display-Counter



- 1 Push ring
- 2 LEDs
- 3 Display



Product characteristics

Electrical design	PNP/NPN
Output function	normally open / closed; (configurable)
Communication interface	IO-Link
Dimensions [mm]	63 x 30 x 24

Electrical data

Operating voltage [V]	18...30 DC; (to SELV/PELV)
Nominal voltage DC [V]	24
Current consumption [mA]	< 380
Max. current load total [A]	0.2

Inputs / outputs

Number of inputs and outputs	Number of digital inputs: 2; Number of digital outputs: 2
------------------------------	---

Inputs

Number of digital inputs	2; (Zähleingang: 1; Zählrichtung/Latch: 1; IEC61131-2)
Input current limitation [mA]	200

Outputs

Electrical design	PNP/NPN
Number of digital outputs	2
Output function	normally open / closed; (configurable)

DP2302



Counter

Monitoring Display-Counter

Short-circuit proof	yes
---------------------	-----

Measuring/setting range

Sampling rate [Hz]	< 2000
--------------------	--------

Interfaces

Communication interface	IO-Link	
Transmission type	COM2 (38,4 kBaud)	
IO-Link revision	1.1	
SDCI standard	IEC 61131-9	
Profiles	Smart Sensor: Measuring Sensor (High resolution, Disable function); Identification and Diagnosis; Switching Signal Channel; Adjustable Switching Signal Channel	
SIO mode	yes	
Required master port class	A	
Process data binary	1	
Min. process cycle time [ms]	6.1	
Supported DeviceIDs	Type of operation	DeviceID
	DP2302	1169

Operating conditions

Ambient temperature [°C]	-25...60	
Note on ambient temperature	2000 m: -25...60 °C	
	3000 m: -25...53 °C	
	4000 m: -25...51 °C	
Storage temperature [°C]	-25...60	
Max. relative air humidity [%]	90; (linearly decreasing to 50 % (40 °C) non condensing)	
Max. height above sea level [m]	4000	
Protection	IP 67	
Degree of soiling	2	

Tests / approvals

MTTF [years]	317
--------------	-----

Mechanical data

Weight [g]	84.2
Weight (without accessories and packaging) [g]	35
Dimensions [mm]	63 x 30 x 24
Material	housing: PA

Displays / operating elements

Display	Power	1 x LED, green
	Switching output	2 x LED, yellow
		7-segment LED display, red/green configurable
Operating elements	2	Push ring

Accessories

Accessories (optional)	mounting clip
------------------------	---------------

Remarks

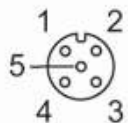
Remarks	Further information is available in the manual.
Pack quantity	1 pcs.



Counter

Monitoring Display-Counter

Electrical connection - Socket



1: L+	
2: IN 2	Counting direction / Latch
3: L-	
4: IN 1	Counting input
5:	not used

Electrical connection - plug



1: L+	supply voltage
2: OUT2	Digital output 2
3: L-	supply voltage
4: OUT1	IO-Link / Digital output 1

Other data

main counter	0...1000000 cnt
batch counter:	0...9999 bcnt