

74F157A Quad 2-Input Multiplexer

General Description

The 'F157A is a high-speed quad 2-input multiplexer. Four bits of data from two sources can be selected using the common Select and Enable inputs. The four outputs present the selected data in the true (non-inverted) form. The 'F157A can also be used to generate any four of the 16 different functions to two variables.

Features

- Guaranteed 4000V minimum ESD protection

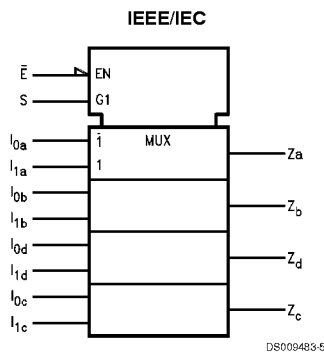
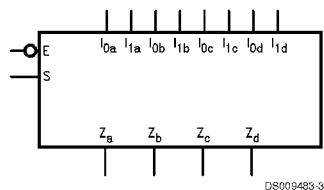
Ordering Code:

Commercial	Military	Package Number	Package Description
74F157APC		N16E	16-Lead (0.300" Wide) Molded Dual-In-Line
	54F157ADM (Note 2)	J16A	16-Lead Ceramic Dual-In-Line
74F157ASC (Note 1)		M16A	16-Lead (0.150" Wide) Molded Small Outline, JEDEC
74F157ASJ (Note 1)		M16D	16-Lead (0.300" Wide) Molded Small Outline, EIAJ
	54F157AFM (Note 2)	W16A	16-Lead Cerpack
	54F157ALM (Note 2)	E20A	20-Lead Ceramic Leadless Chip Carrier, Type C

Note 1: Devices also available in 13" reel. Use suffix = SCX and SJX.

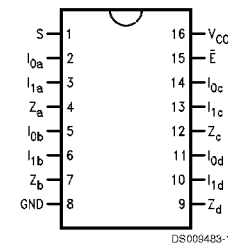
Note 2: Military grade device with environmental and burn-in processing. Use suffix = DMQB, FMQB and LMQB.

Logic Symbols

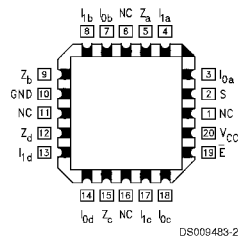


Connection Diagrams

Pin Assignment for DIP, SOIC and Flatpak



Pin Assignment for LCC



Unit Loading/Fan Out

Pin Names	Description	54F/74F	
		U.L. HIGH/LOW	Input I_{IH}/I_{IL} Output I_{OH}/I_{OL}
$I_{0a}-I_{0d}$	Source 0 Data Inputs	1.0/1.0	20 μ A/-0.6 mA
$I_{1a}-I_{1d}$	Source 1 Data Inputs	1.0/1.0	20 μ A/-0.6 mA
\bar{E}	Enable Input (Active LOW)	1.0/1.0	20 μ A/-0.6 mA
S	Select Input	1.0/1.0	20 μ A/-0.6 mA
Z_a-Z_d	Outputs	50/33.3	-1 mA/20 mA

Functional Description

The 'F157A is a quad 2-input multiplexer. It selects four bits of data from two sources under the control of a common Select input (S). The Enable input (\bar{E}) is active LOW. When \bar{E} is HIGH, all of the outputs (Z) are forced LOW regardless of all other inputs. The 'F157A is the logic implementation of a 4-pole, 2-position switch where the position of the switch is determined by the logic levels supplied to the Select input. The logic equations for the outputs are shown below:

$$Z_n = \bar{E} \cdot (I_{1n}S + I_{0n}\bar{S})$$

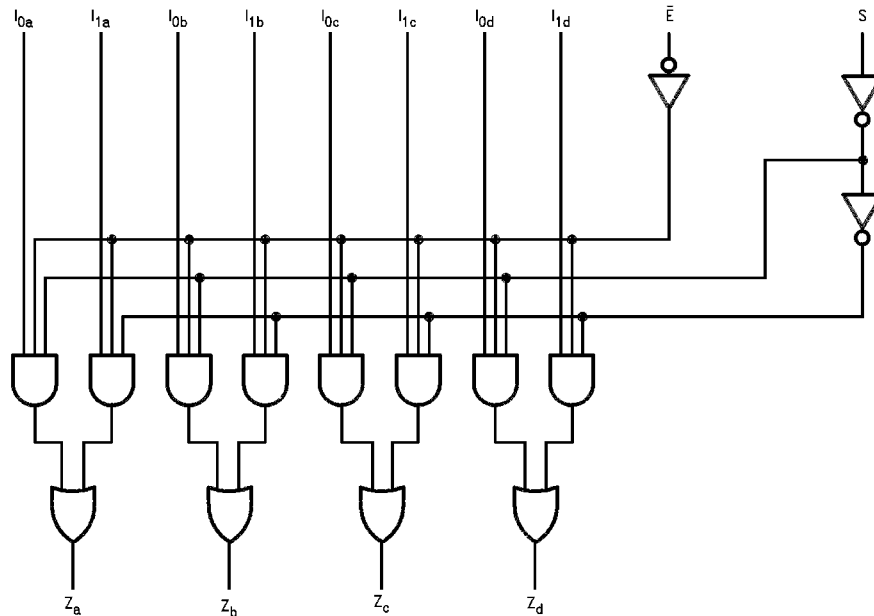
A common use of the 'F157A is the moving of data from two groups of registers to four common output busses. The particular register from which the data comes is determined by the state of the Select input. A less obvious use is as a function generator. The 'F157A can generate any four of the 16 different functions of two variables with one variable common. This is useful for implementing highly irregular logic.

Truth Table

Inputs				Output
\bar{E}	S	I_0	I_1	Z
H	X	X	X	L
L	H	X	L	L
L	H	X	H	H
L	L	L	X	L
L	L	H	X	H

H = HIGH Voltage Level
L = LOW Voltage Level
X = Immaterial

Logic Diagram



DS009483-4

Please note that this diagram is provided only for the understanding of logic operations and should not be used to estimate propagation delays.

Absolute Maximum Ratings (Note 3)

Storage Temperature	-65°C to +150°C
Ambient Temperature under Bias	-55°C to +125°C
Junction Temperature under Bias	-55°C to +175°C
Plastic	-55°C to +150°C
V _{CC} Pin Potential to Ground Pin	-0.5V to +7.0V
Input Voltage (Note 4)	-0.5V to +7.0V
Input Current (Note 4)	-30 mA to +5.0 mA
Voltage Applied to Output in HIGH State (with V _{CC} = 0V)	
Standard Output	-0.5V to V _{CC}
3-STATE Output	-0.5V to +5.5V
Current Applied to Output in LOW State (Max)	twice the rated I _{OL} (mA)

ESD Last Passing Voltage (Min)

4000V

Recommended Operating Conditions

Free Air Ambient Temperature	
Military	-55°C to +125°C
Commercial	0°C to +70°C
Supply Voltage	
Military	+4.5V to +5.5V
Commercial	+4.5V to +5.5V

Note 3: Absolute maximum ratings are values beyond which the device may be damaged or have its useful life impaired. Functional operation under these conditions is not implied.

Note 4: Either voltage limit or current limit is sufficient to protect inputs.

DC Electrical Characteristics

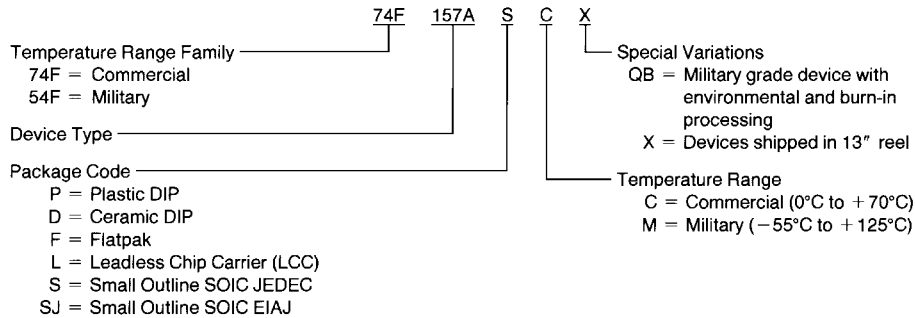
Symbol	Parameter	54F/74F			Units	V _{CC}	Conditions	
		Min	Typ	Max				
V _{IH}	Input HIGH Voltage	2.0			V		Recognized as a HIGH Signal	
V _{IL}	Input LOW Voltage			0.8	V		Recognized as a LOW Signal	
V _{CD}	Input Clamp Diode Voltage			-1.2	V	Min	I _{IN} = -18 mA	
V _{OH}	Output HIGH Voltage	54F 10% V _{CC}	2.5		V	Min	I _{OH} = -1 mA	
		74F 10% V _{CC}	2.5					
		74F 5% V _{CC}	2.7					
V _{OL}	Output LOW Voltage	54F 10% V _{CC}		0.5	V	Min	I _{OL} = 20 mA	
		74F 10% V _{CC}		0.5				
I _{IH}	Input HIGH Current	54F		20.0	μA	Max	V _{IN} = 2.7V	
		74F		5.0				
I _{BVI}	Input HIGH Current Breakdown Test	54F		100	μA	Max	V _{IN} = 7.0V	
		74F		7.0				
I _{CEX}	Output HIGH Leakage Current	54F		250	μA	Max	V _{OUT} = V _{CC}	
		74F		50				
V _{ID}	Input Leakage Test	74F	4.75		V	0.0	I _{ID} = 1.9 μA All Other Pins Grounded	
I _{OD}	Output Leakage Circuit Current	74F		3.75	μA	0.0	V _{ID} = 150 mV All Other Pins Grounded	
I _{IL}	Input LOW Current			-0.6	mA	Max	V _{IN} = 0.5V	
I _{OS}	Output Short-Circuit Current			-60	-150	mA	Max	V _{OUT} = 0V
I _{CCH}	Power Supply Current		15	23	mA	Max	V _O = HIGH	
I _{CCL}	Power Supply Current		15	23	mA	Max	V _O = LOW	

AC Electrical Characteristics

Symbol	Parameter	74F			54F		74F		Units
		T _A = +25°C V _{CC} = +5.0V C _L = 50 pF			T _A , V _{CC} = Mil C _L = 50 pF		T _A , V _{CC} = Com C _L = 50 pF		
		Min	Typ	Max	Min	Max	Min	Max	
t _{PLH}	Propagation Delay	4.0	7.0	10.0	4.0	12.0	4.0	11.0	ns
t _{PHL}	S to Z _n	3.0	5.0	7.0	3.0	9.0	3.0	8.0	
t _{PLH}	Propagation Delay	5.0	7.0	9.5	5.0	13.0	5.0	11.0	ns
t _{PHL}	\bar{E} to Z _n	2.5	4.5	6.5	2.5	7.5	2.5	7.0	
t _{PLH}	Propagation Delay	2.5	4.5	6.0	2.5	7.5	2.5	6.5	ns
t _{PHL}	I _n to Z _n	2.5	4.0	5.5	1.5	7.5	2.0	7.0	

Ordering Information

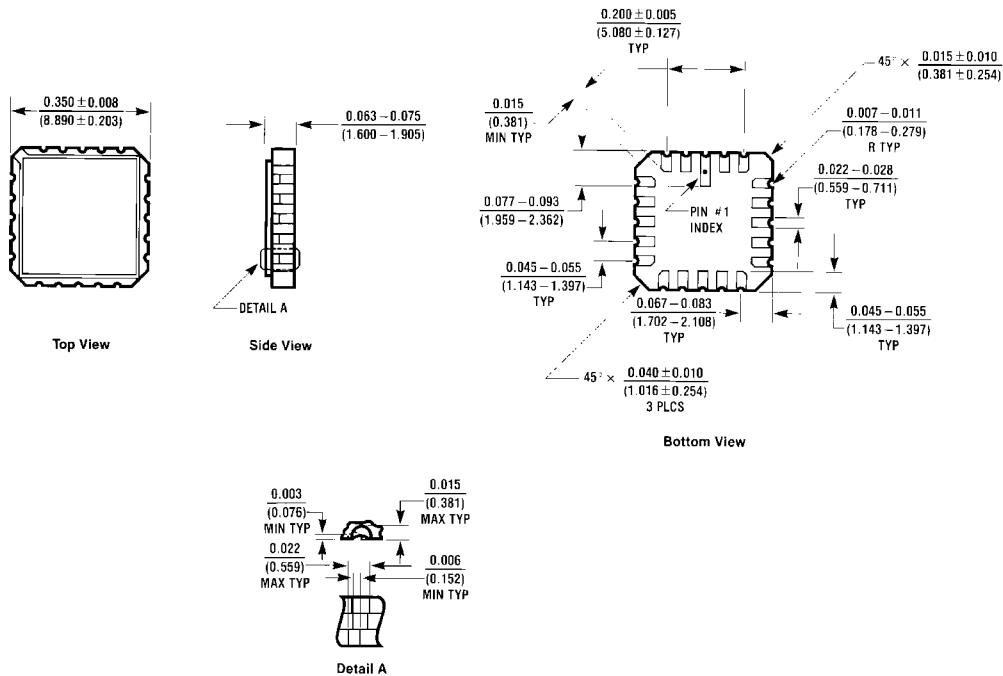
The device number is used to form part of a simplified purchasing code where the package type and temperature range are defined as follows:



DS009483-6

Physical Dimensions

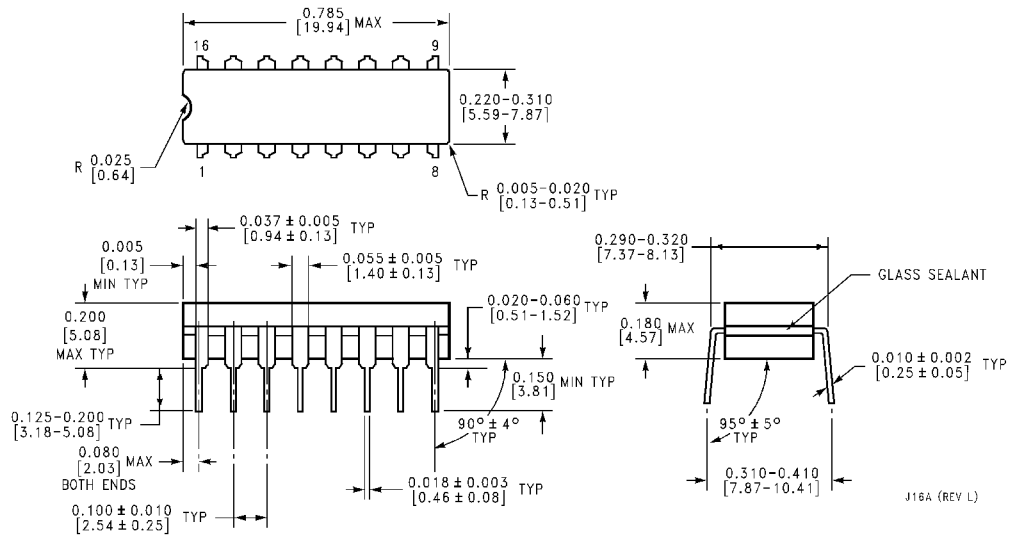
inches (millimeters) unless otherwise noted



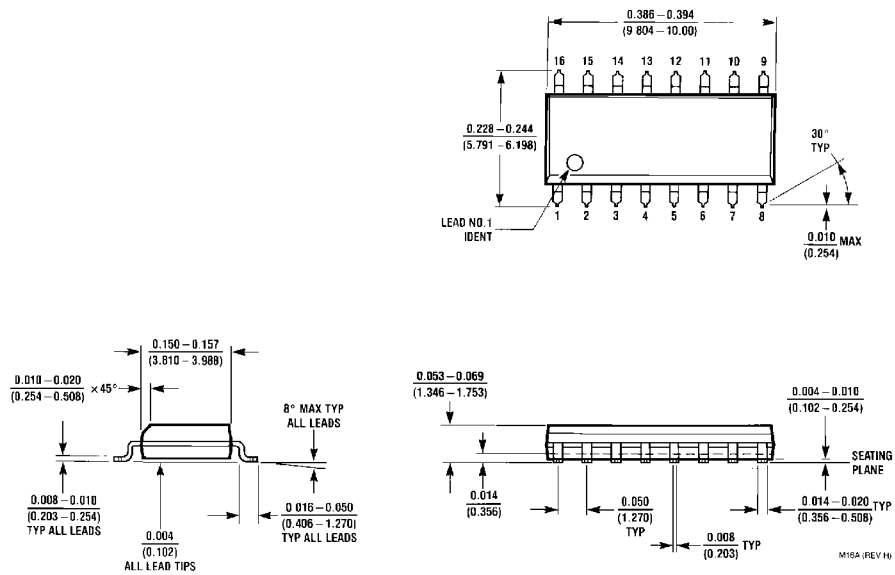
E20A (REV D)

**20-Lead Ceramic Leadless Chip Carrier (L)
Package Number E20A**

Physical Dimensions inches (millimeters) unless otherwise noted (Continued)

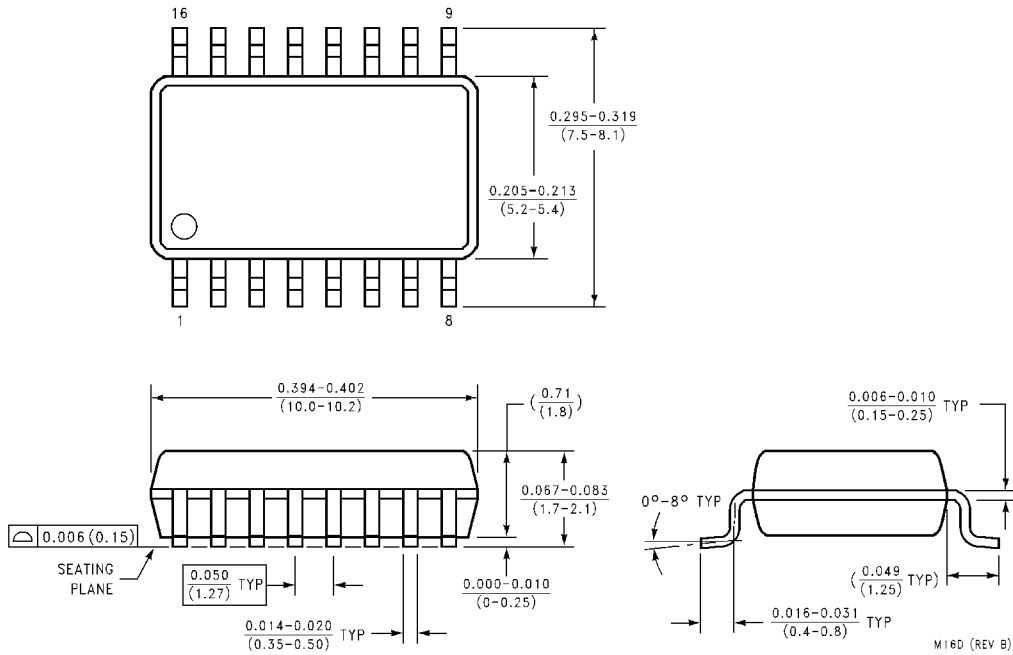


**16-Lead Ceramic Dual In-Line Package (D)
 Package Number J16A**

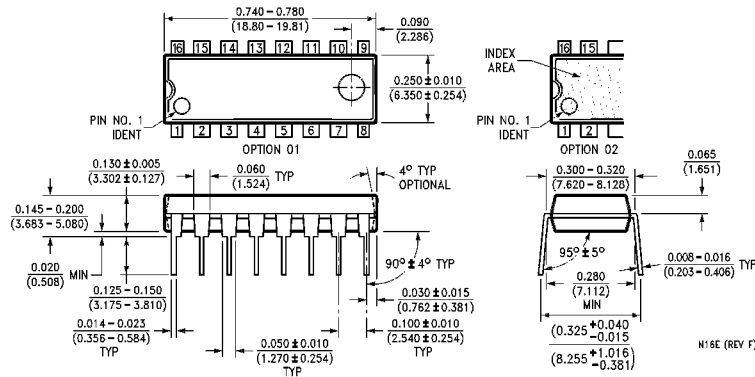


**16-Lead (0.150" Wide) Molded Small Outline Package, JEDEC (S)
 Package Number M16A**

Physical Dimensions inches (millimeters) unless otherwise noted (Continued)

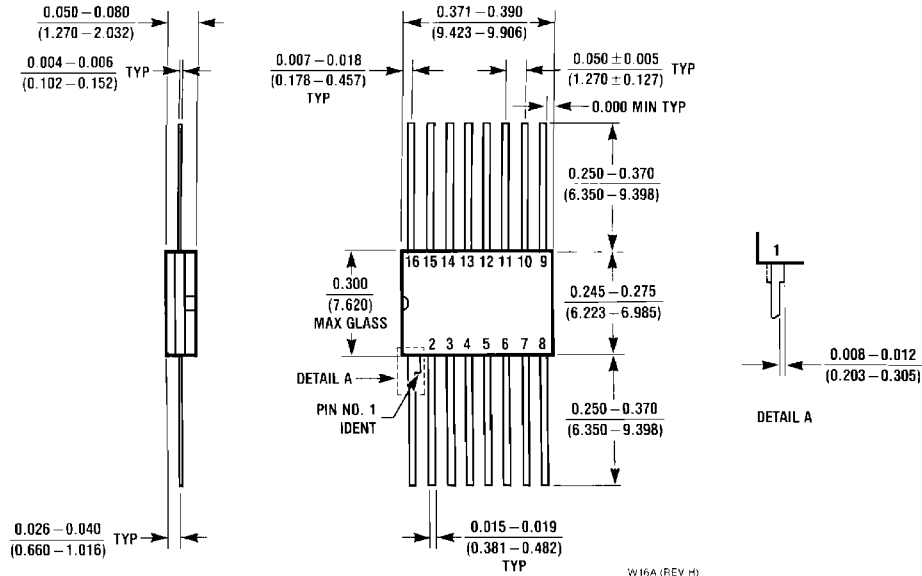


**16-Lead (0.300" Wide) Molded Small Outline Package, EIAJ (SJ)
Package Number M16D**



**16-Lead (0.300" Wide) Molded Dual In-Line Package (P)
Package Number N16E**

Physical Dimensions inches (millimeters) unless otherwise noted (Continued)



**16-Lead Ceramic Flatpak (F)
Package Number W16A**

LIFE SUPPORT POLICY

FAIRCHILD'S PRODUCTS ARE NOT AUTHORIZED FOR USE AS CRITICAL COMPONENTS IN LIFE SUPPORT DEVICES OR SYSTEMS WITHOUT THE EXPRESS WRITTEN APPROVAL OF THE PRESIDENT OF FAIRCHILD SEMICONDUCTOR CORPORATION. As used herein:

1. Life support devices or systems are devices or systems which, (a) are intended for surgical implant into the body, or (b) support or sustain life, and (c) whose failure to perform when properly used in accordance with instructions for use provided in the labeling, can be reasonably expected to result in a significant injury to the user.
2. A critical component in any component of a life support device or system whose failure to perform can be reasonably expected to cause the failure of the life support device or system, or to affect its safety or effectiveness.

Fairchild Semiconductor Corporation Americas
Customer Response Center
Tel: 1-888-522-5372

Fairchild Semiconductor Europe
Fax: +49 (0) 1 80-530 85 86
Email: europe.support@nsc.com
Deutsch Tel: +49 (0) 8 141-35-0
English Tel: +44 (0) 1 793-85-68-56
Italy Tel: +39 (0) 2 57 5631

Fairchild Semiconductor Hong Kong Ltd.
13th Floor, Straight Block,
Ocean Centre, 5 Canton Rd.
Tsimshatsui, Kowloon
Hong Kong
Tel: +852 2737-7200
Fax: +852 2314-0061

National Semiconductor Japan Ltd.
Tel: 81-3-5620-6175
Fax: 81-3-5620-6179

www.fairchildsemi.com