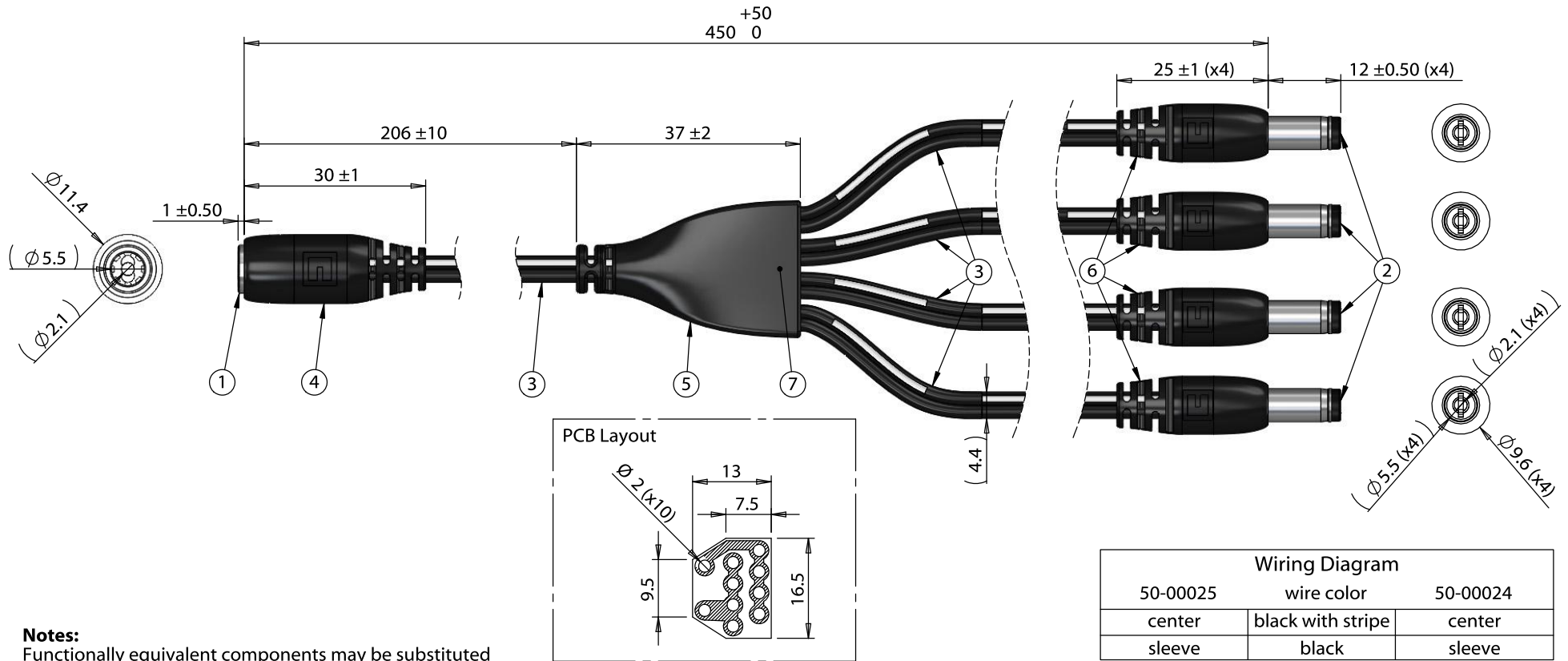


ITEM NO.	PART NUMBER	DESCRIPTION	QTY.	COMPONENT NOTES
1	50-00025	Connector, dc jack, 5.5x2.1xL17.4 mm, molding style	1	
2	50-00024	Connector, dc plug, 5.5x2.1xL23 mm, molding style, spring contacts	4	
3	30-00007	Wire, 2C BC, 18 AWG, UL2468, 300V, 80C, 4.4 mm, VW-1, PVC, 87A	5	
4	24-00004	Overmold, PVC	1	black
5	24-00219	Overmold, splitter, Ø 8.0 mm by 10.0x22.6 mm	1	black
6	24-00003	Overmold, PVC	4	black
7	PCB	Splitter PCB, FR4, two-layer, tin, 13.0x16.5x1.6 mm	1	



Notes:
Functionally equivalent components may be substituted

Revision:	Date:	Description:	Prepared:	Notes:	<h1>TENSILITY</h1> <p>tel 1.541.323.3228 800 877.670.7118 fax 1.541.323.4202 web tensility.com</p>
A	4/10/2018	Initial release	JP <small>Digitally signed by JP Date: 2018.04.11 11:30:21 -07'00'</small>	RoHS compliant	
			Verified: AW <small>Digitally signed by AW Date: 2018.04.11 11:30:21 -07'00'</small>	Function test: no open, no short circuit, no intermittent	
			Dimensions are in millimeters. Tolerances: X: ± 0.5 mm X.X: ± 0.3 mm X.XX: ± 0.05 mm	Description: Cable, 450 mm, 5.5x2.1 mm 50-00025 dc jack to y-split to 4x 5.5x2.1x12 mm 50-00024 dc plug, 18 AWG	
				Size: A Part number: 10-02739	
				Scale: 1:1	Sheet 1 of 1

5

4

3

2

1

To see a custom version of this cable assembly, call Tensility at 541-323-3228 or email engineering@tensility.com