

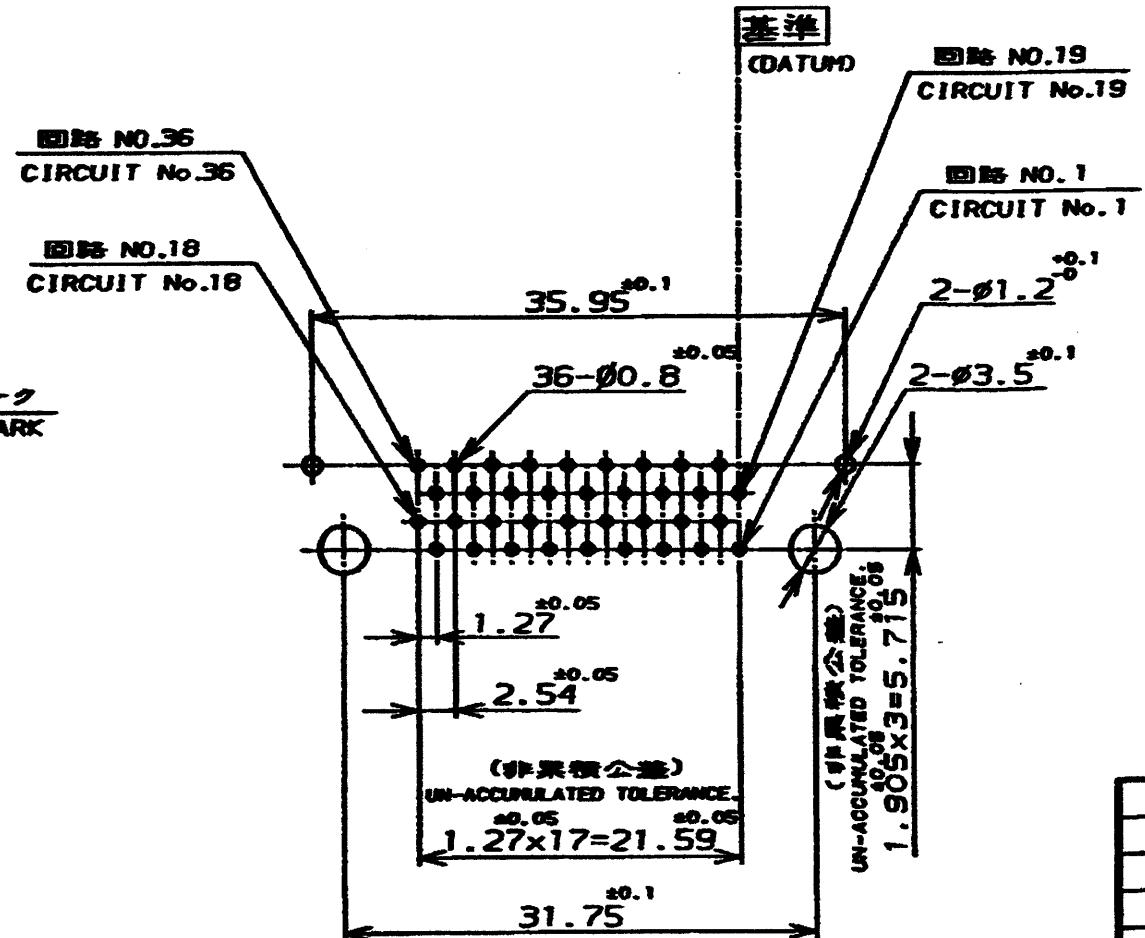
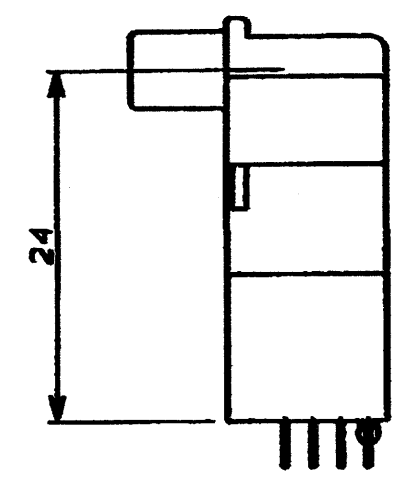
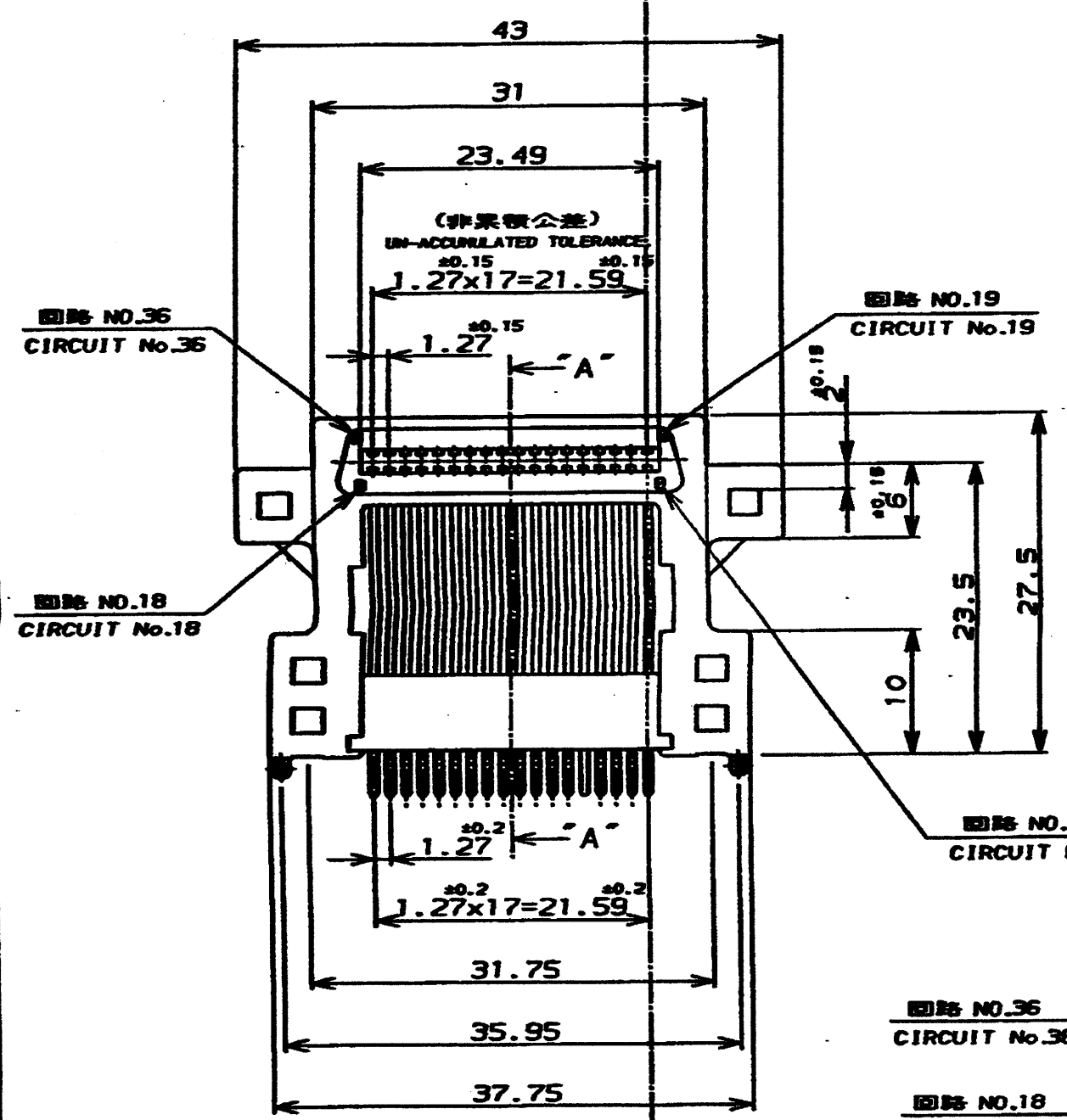
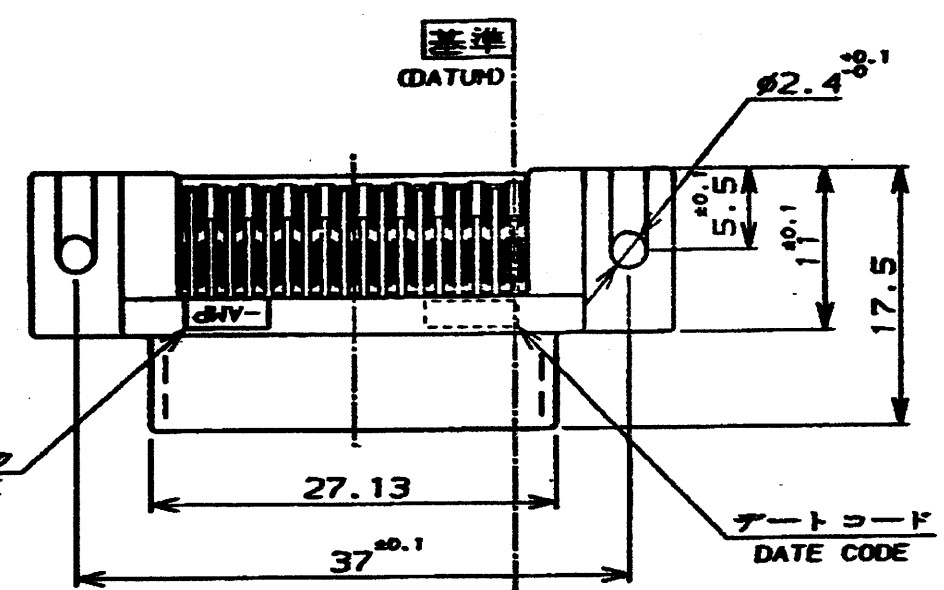
C-5178647

3-D ANGLE PROJECTION

METRIC

DIMENSIONS IN MILLIMETERS. DO NOT SCALE PRINT

PRINT DIST

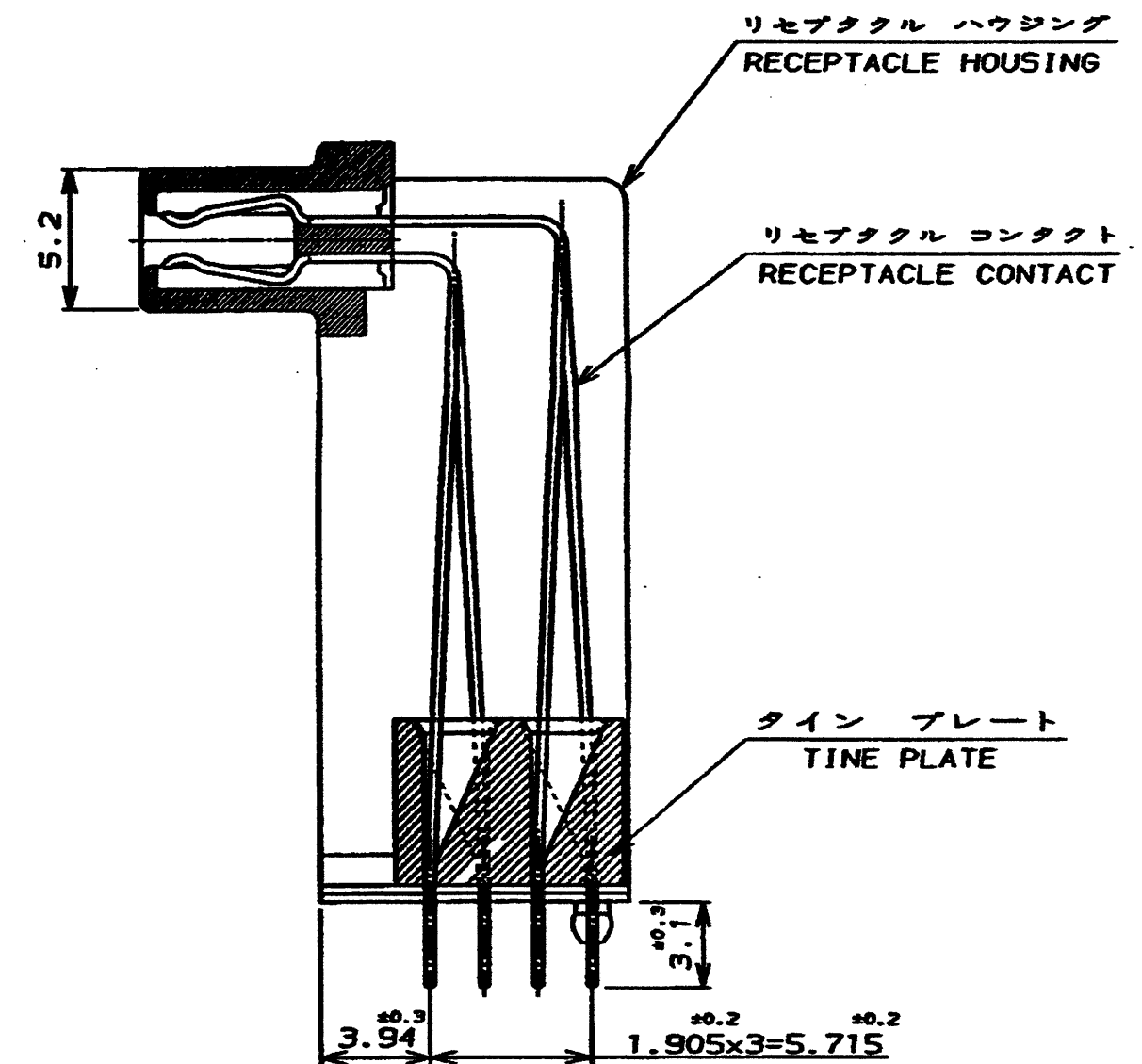


基板穴位置 P.C.B HOLE LAYOUT
(コネクタ搭載面) (CONN'MOUNT. SIDE)

LEAD FREE

NOTES:

- NUMBER "n" IS COUNTED FROM DATUM
- MATERIAL: HOUSING, AND TINE PLATE: 66 NYLON (GF) UL 94V-0, BLACK. CONTACT, PHOSPHOR BRONZE.
- FINISH: Au AT CONTACT AREA (SEE TABLE), TIN AT TINE, OVER Ni.
- FOR SECURING CONNECTOR, USE CROSS-RECESSED PAN HEAD TAPPING SCREW CLASS 2, M3x8mm. (SCREW-IN TORQUE TO BE 4KgcM MAX.)



SECT. "A"- "A"
(SCALE 4-1)

36	0.2 μ	5178647-4
POS	Au PLATE	P/N

tyco Tyco Electronics AMP K.K. Kawasaki, Japan

WIRE RANGE		INSULATION DIA		NAME	
AMP (CNS -)		-		チャンプ 050 (I) コネクタ (B-T-B) CHAMP.050 (I) CONN. B-T-B	
MATERIAL		FINISH		リセプタクル コネクタ ホリゾンタル タイプ RECEPTACL. CONN. "H" TYPE	
△		△		GENERAL TOLERANCE	
O ACTIVATE FJ80-0871-04		LZ IE Oct.8 '04		DR. LEO ZHOU Oct.8'04	
LTR REVISION RECORD		DR CHK DATE		CHK STEVEN YAO Oct.8'04	
				APP. IENOMOTO Oct.8'04	
				SCALE	
				0<=c<10 : ±0.2	
				10<=c<30 : ±0.25	
				30<=c<100 : ±0.3	
				ANGLES : ±3°	
				SIZE LOC NUMBER	
				A2 J C-5178647	
				SCALE	
				2-1	
				REV. 0	
				SHEET 1 OF 1	

CUSTOMER DRAWING