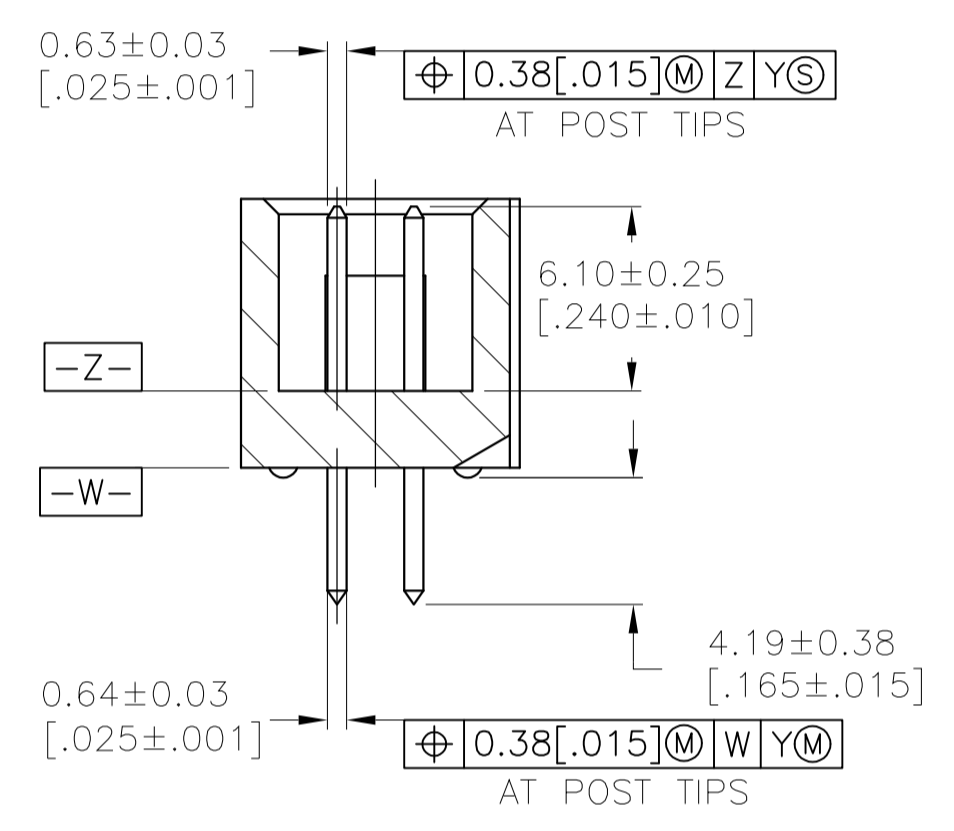
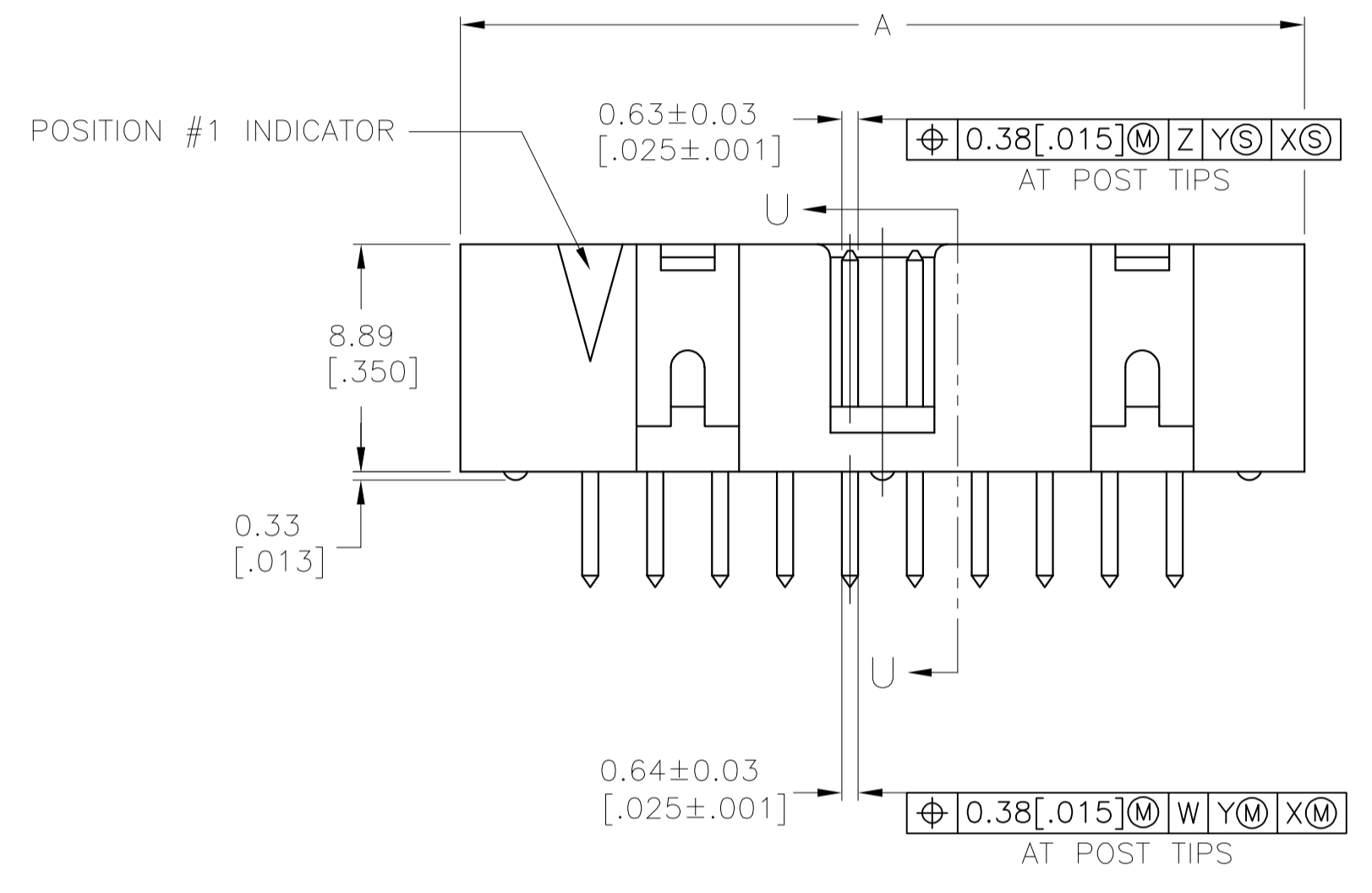
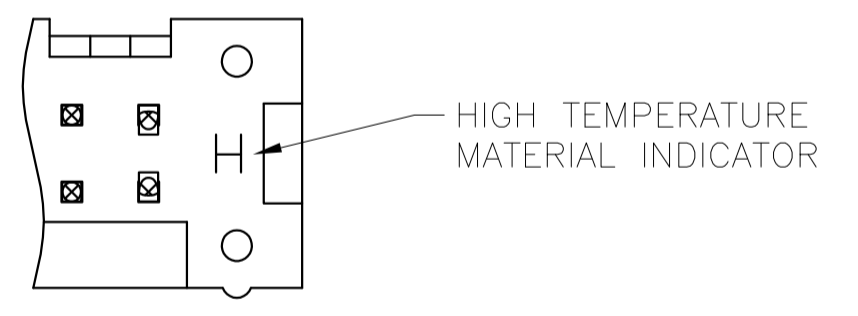


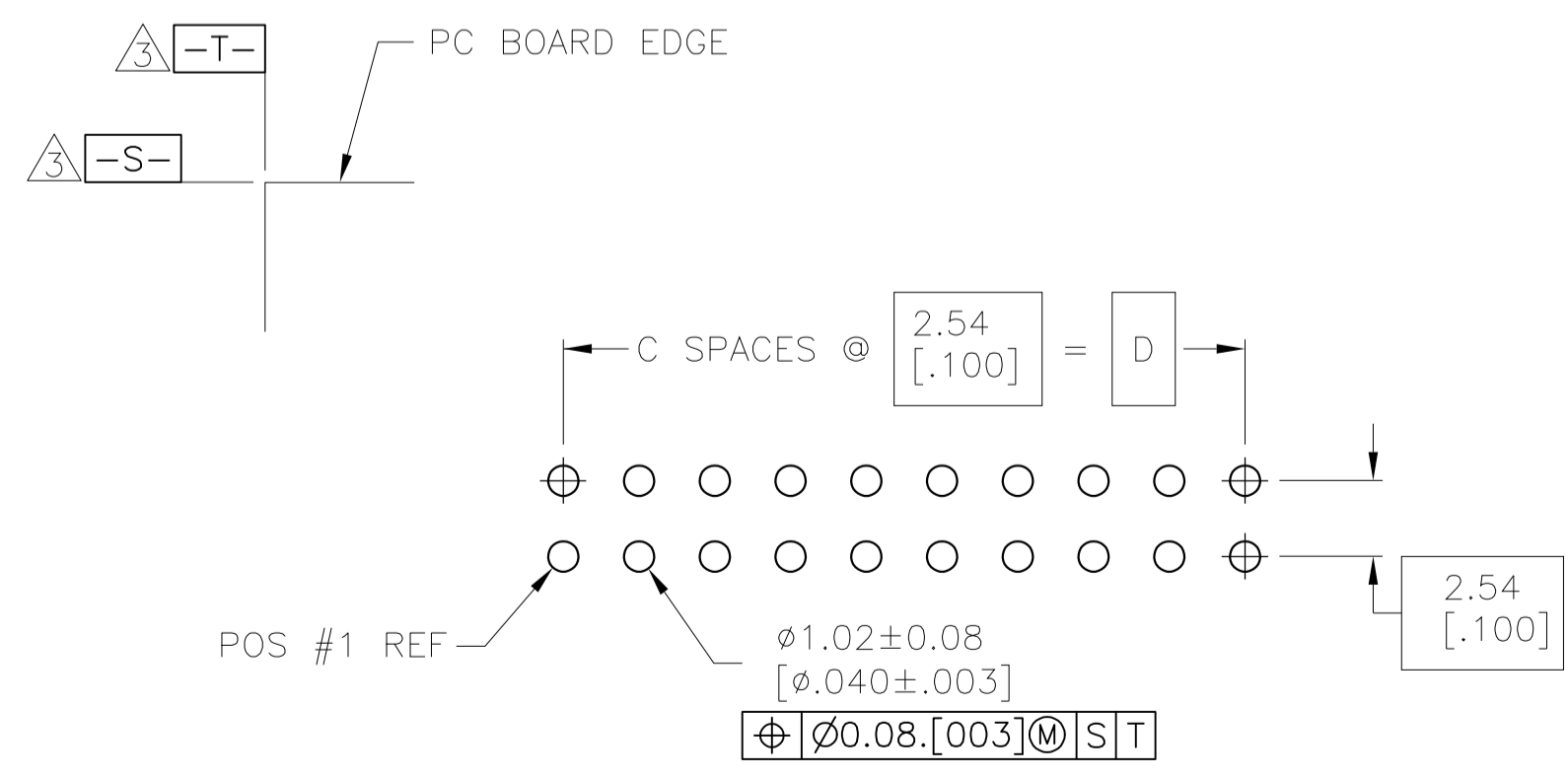
- △ HOUSING: PCT, UL94V-0, COLOR BLACK.
- △ POSTS: PHOSPHOR BRONZE.
- △ POSTS: 0.00038[.000015] MIN GOLD ON MATING AREA, 0.00254[.000100] MIN TIN ON SOLDER END, ALL OVER 0.00127[.000050] MIN NICKEL ON ENTIRE POST.
- △ DATUMS S & T TO BE ESTABLISHED BY CUSTOMER.
- △ NO KEYING SLOT ON THIS END FOR 10 POSITION ASSEMBLY.
- △ NO KEYING SLOT ON THIS END FOR 10 POSITION ASSEMBLY.



SECTION U-U



HIGH TEMPERATURE MATERIAL INDICATOR



RECOMMENDED PC BOARD LAYOUT (VIEWED FROM CONNECTOR SIDE)

	D	C	B	A	NO OF POS	PART NUMBER
	78.74 [3.100]	31	86.36 [3.400]	88.90 [3.500]	64	1-1761683-7
	73.66 [2.900]	29	81.28 [3.200]	83.82 [3.300]	60	1-1761683-6
OBSOLETE	60.96 [2.400]	24	68.58 [2.700]	71.12 [2.800]	50	1-1761683-5
	48.26 [1.900]	19	55.88 [2.200]	58.42 [2.300]	40	1-1761683-3
	40.64 [1.600]	16	48.26 [1.900]	50.80 [2.000]	34	1-1761683-1
	30.48 [1.200]	12	38.10 [1.500]	40.64 [1.600]	26	1761683-9
	22.86 [.900]	9	30.48 [1.200]	33.02 [1.300]	20	1761683-7
	10.16 [.400]	4	17.78 [.700]	20.32 [.800]	10	1761683-3

THIS DRAWING IS A CONTROLLED DOCUMENT.

DIMENSIONS: mm	TOLERANCES UNLESS OTHERWISE SPECIFIED:	0 PLC ± -	1 PLC ± -	2 PLC ± -	3 PLC ± 0.13[.005]	4 PLC ± -	ANGLES ± -
----------------	--	-----------	-----------	-----------	--------------------	-----------	------------

MATERIAL: △ FINISH: △

APPROVED: B. CRISAMORE/DTI	DESIGNED: S. BOLASH	NAME: M. WALMSLEY
PRODUCT SPEC: -	APPLICATION SPEC: -	SIZE: A1
WEIGHT: -	CAGE CODE: -	DRAWING NO: 00779
CUSTOMER DRAWING	SCALE: 4:1	SHEET 1 OF 1

STE TE Connectivity  
 HEADER ASSEMBLY, HIGH TEMP, VERTICAL, LOW PROFILE, IDC  
 1761683-7