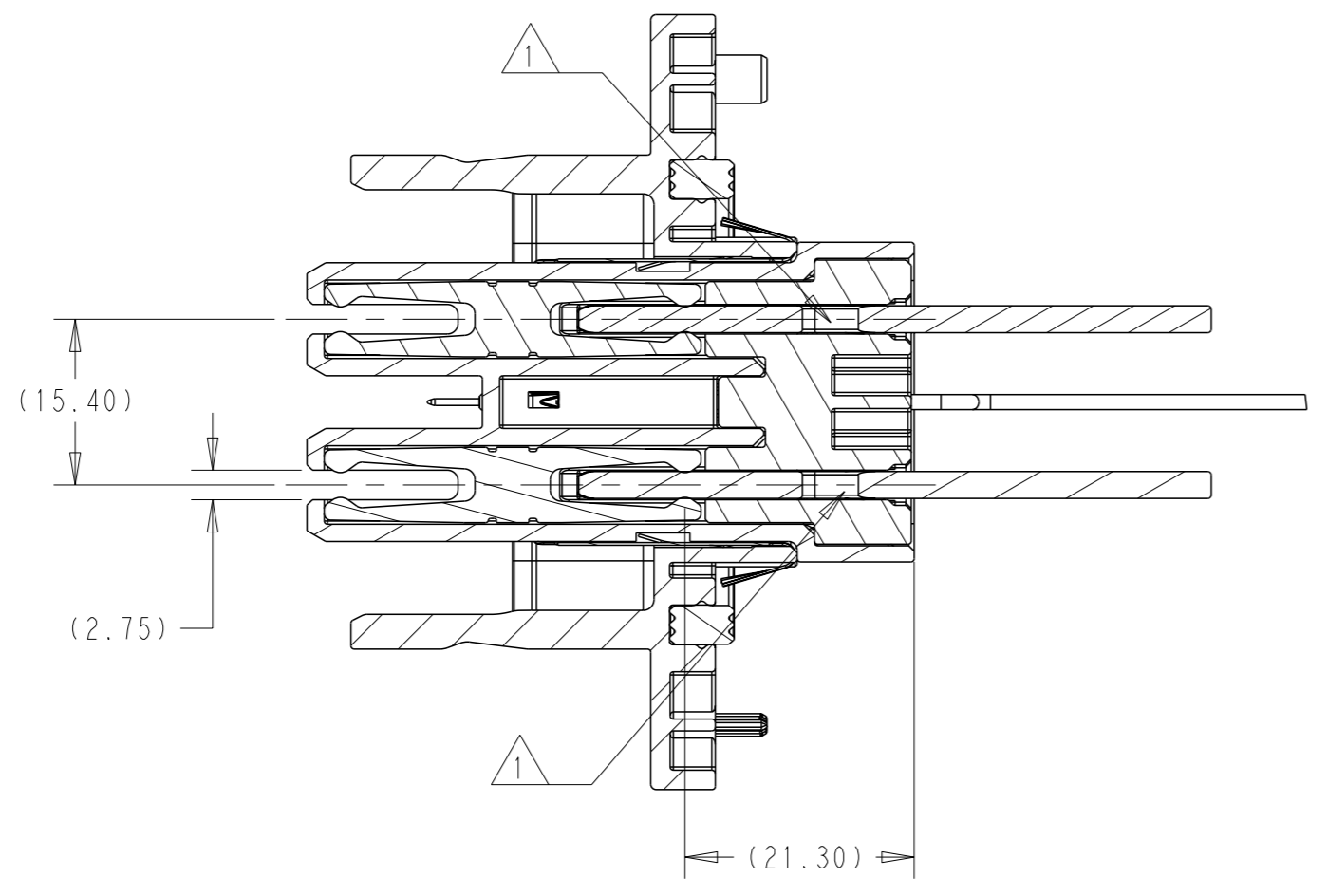
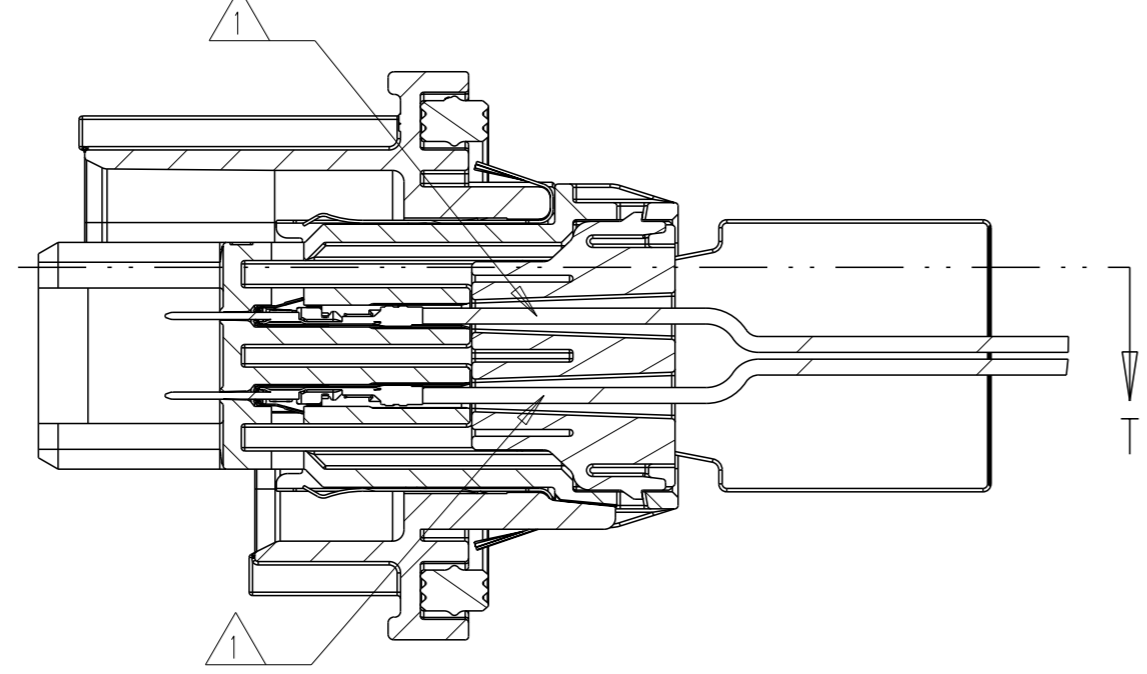


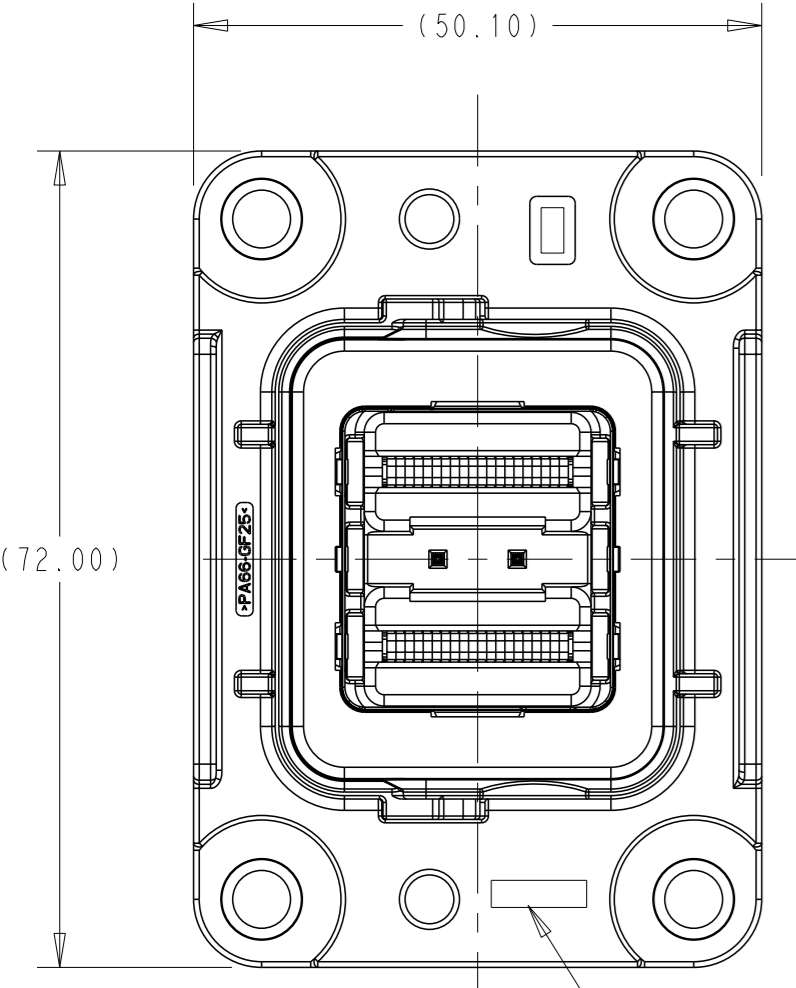
REVISIONS				
P	LY#	DESCRIPTION	DATE	OWN APVD
A		INITIAL RELEASE	26AUG2020	GTG PK



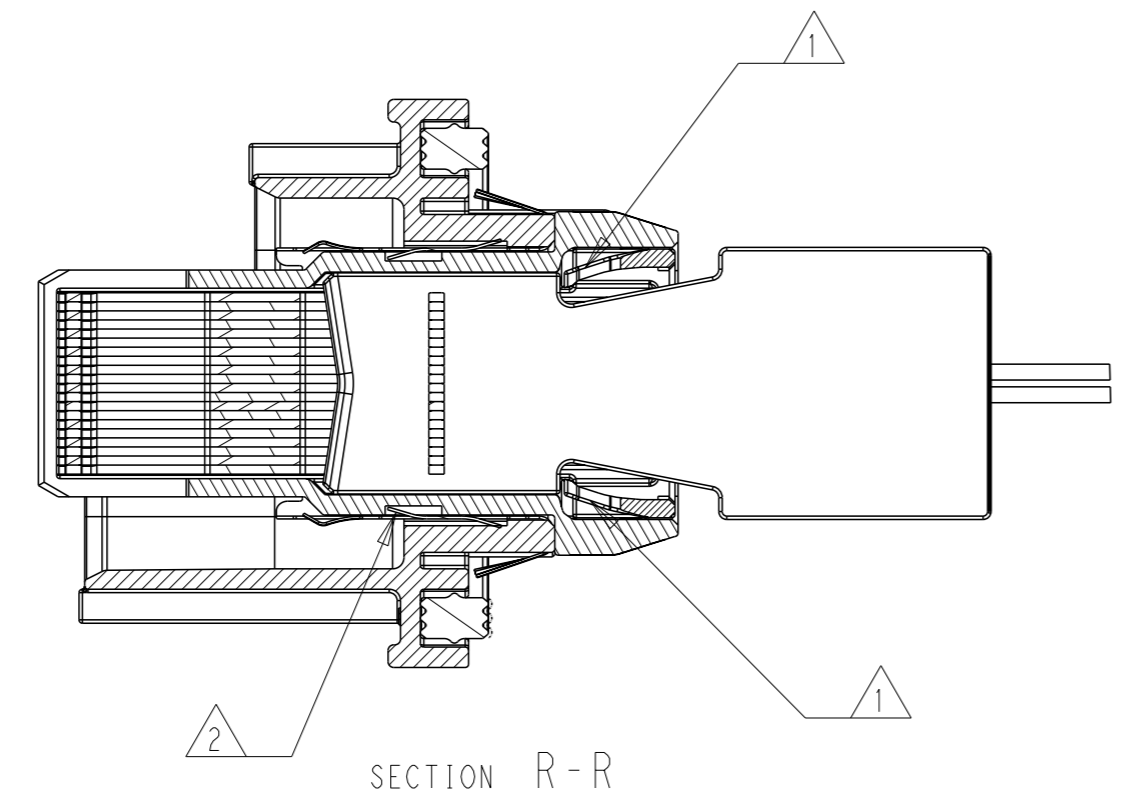
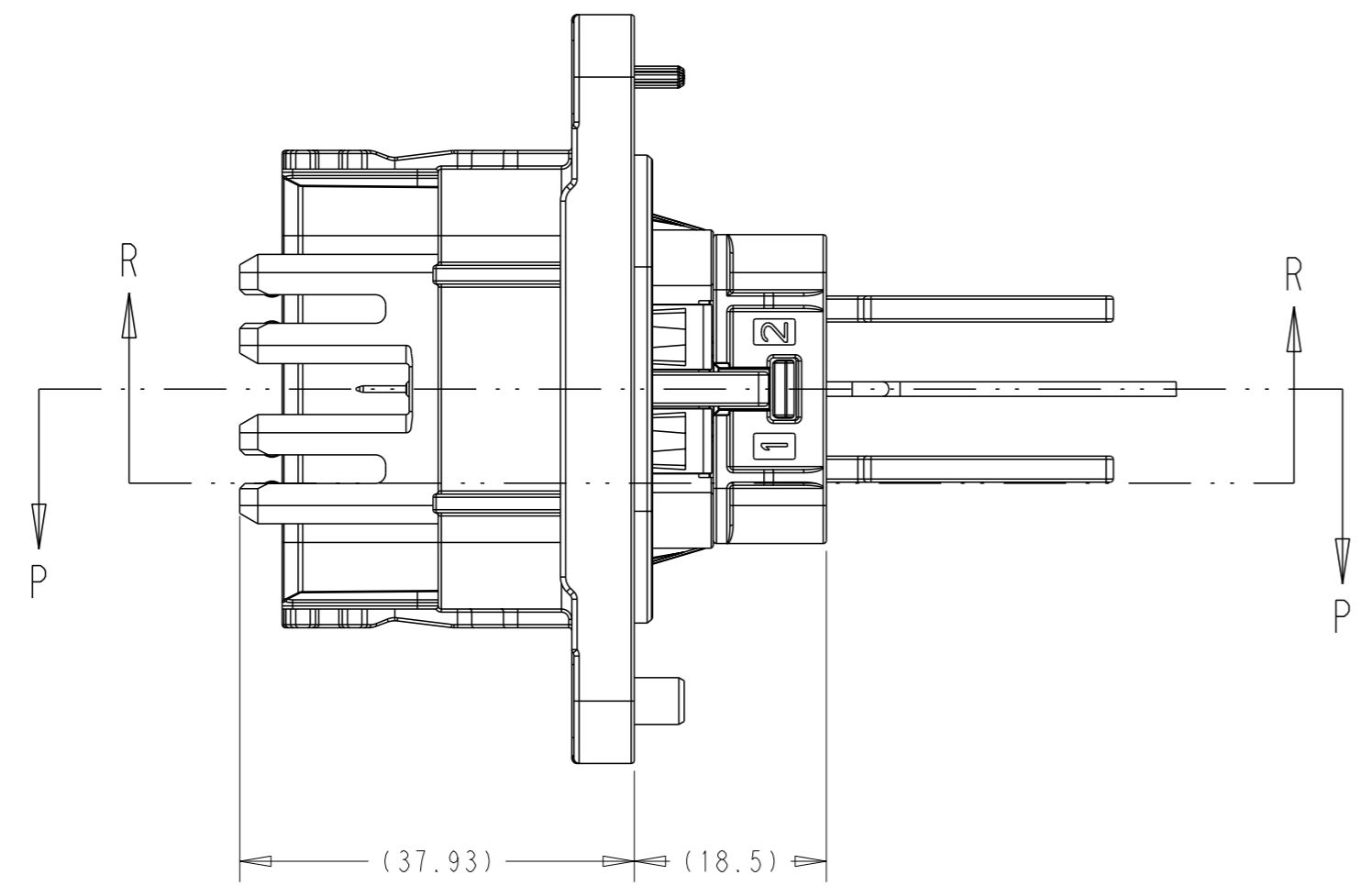
SECTION T-T



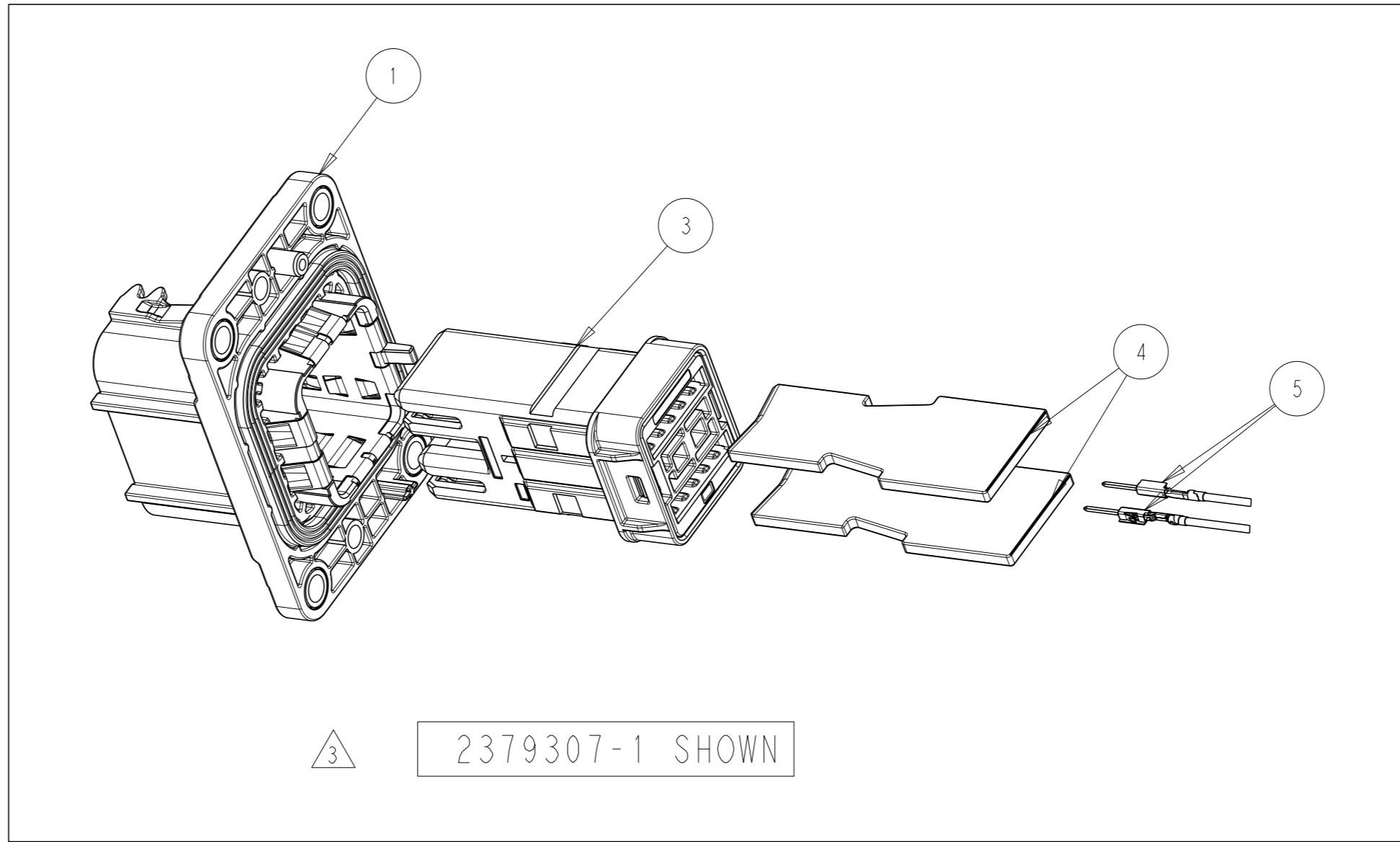
SECTION P-P



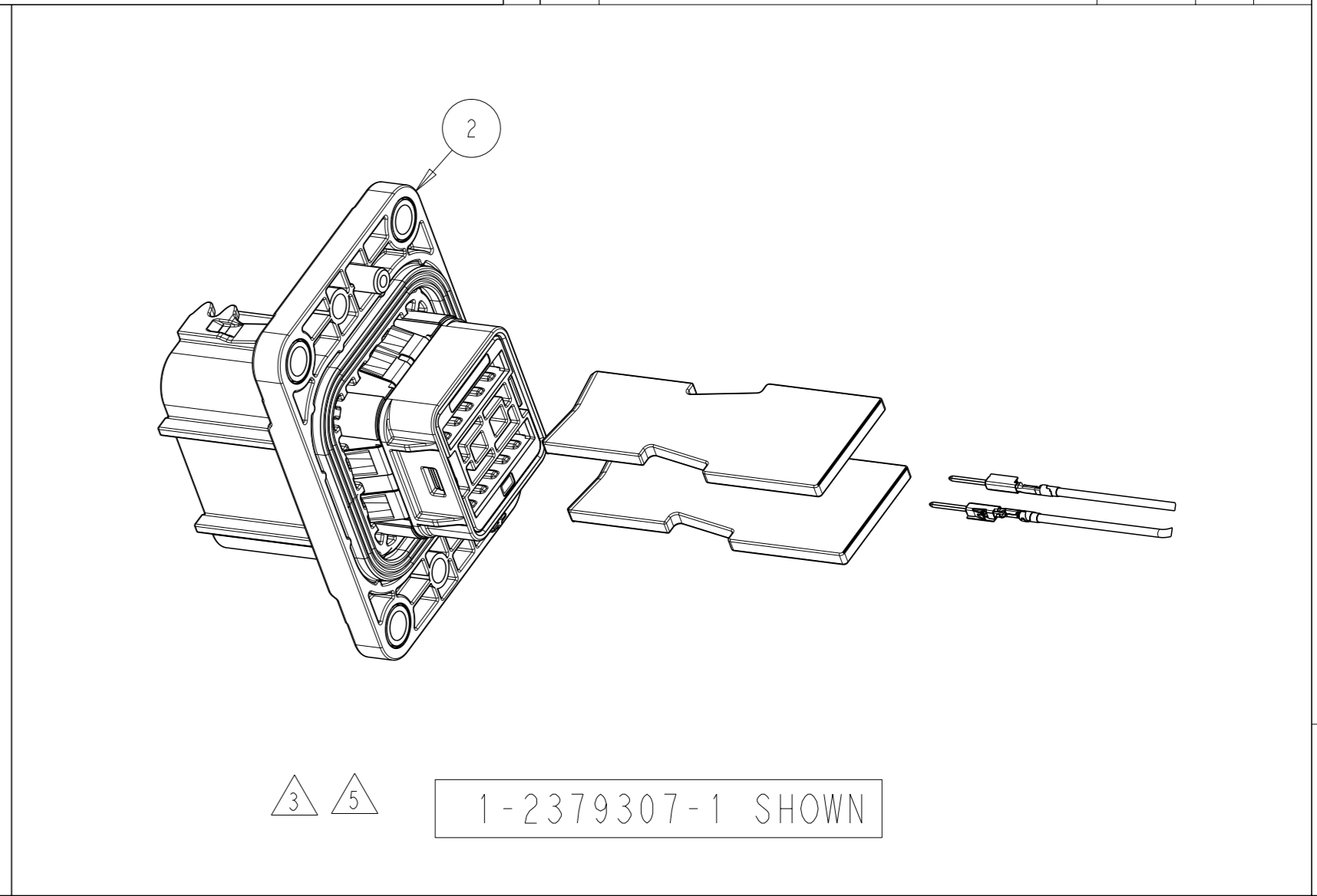
SCALE 3:2



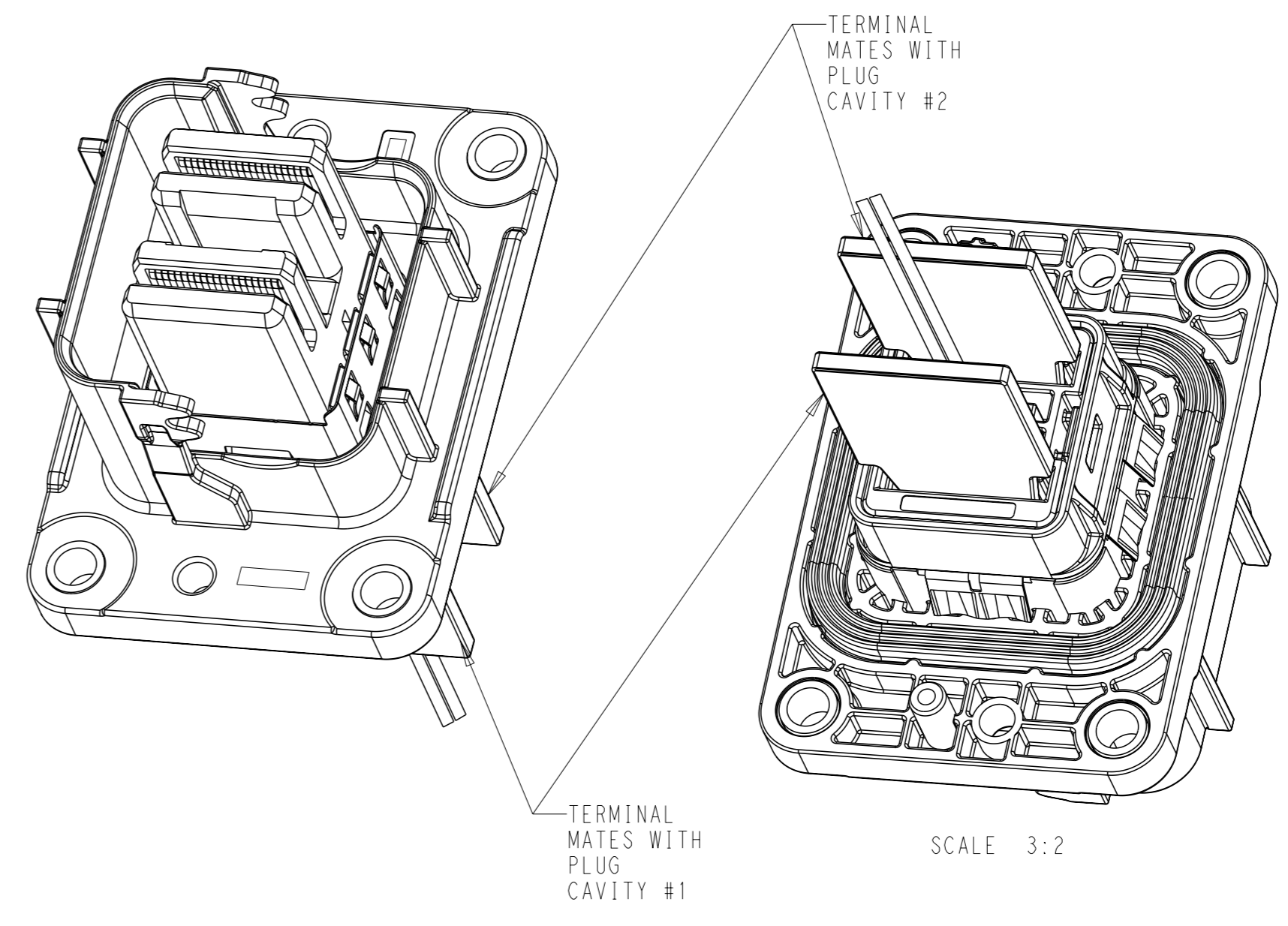
SECTION R-R



2379307-1 SHOWN



1-2379307-1 SHOWN



SCALE 3:2

- 1 ALL TERMINALS MUST BE FULLY SEATED AND LOCKED IN POSITION.
- 2 SHIELD LOCKED TO INNER HOUSING 6 PLACES.
- 3 THESE CONFIGURATIONS ARE NOT AVAILABLE FULLY ASSEMBLED AS SHOWN. SEE INSTRUCTION MANUAL 408-160030 FOR DETAILS. INDIVIDUAL COMPONENTS OR SUB-ASSEMBLIES LISTED IN THE PARTS LIST ARE AVAILABLE SEPARATELY FROM TE. CONSULT INDIVIDUAL CUSTOMER DRAWING FOR PART RELEASE STATUS.
- 4 PART NUMBER AND JULIAN DATE CODE LASER MARKED IN THIS AREA
- 5 THIS CONFIGURATION HAS THE INNER HEADER SUB-ASSEMBLY PRE-ASSEMBLED TO THE HEADER SUB-ASSEMBLY.

QTY	REQ	PER	ASSY	U/M	PART NO	DESCRIPTION	ITEM NO
2	2	2	2	PC	5-963716-3	MQS TERMINAL	5
2	2	2	2	PC	2360888-1	TAB TERMINAL	4
-	-	1	1	PC	2359563-1	INNER HEADER SUB-ASSY	3
1	-	-	-	PC	2380367-2	HEADER ASSY, 4-BOLT	2
-	1	-	-	PC	2380367-1		
-	-	1	-	PC	3-2343034-2	HEADER SUB-ASSY, 4-BOLT	1
-	-	-	1	PC	3-2343034-1		
1-2379307-2	1-2379307-1	2379307-2	2379307-1	U/M	PART NO	DESCRIPTION	ITEM NO
KEY-B	KEY-A	KEY-B	KEY-A				
				CONFIGURATION			
				PART LIST			

THIS DRAWING IS A CONTROLLED DOCUMENT.

OWN: GIRISH IG 26AUG2020
 CHK: P. KOLHATKAR 27AUG2020
 APVD: D. RHEIN 27AUG2020

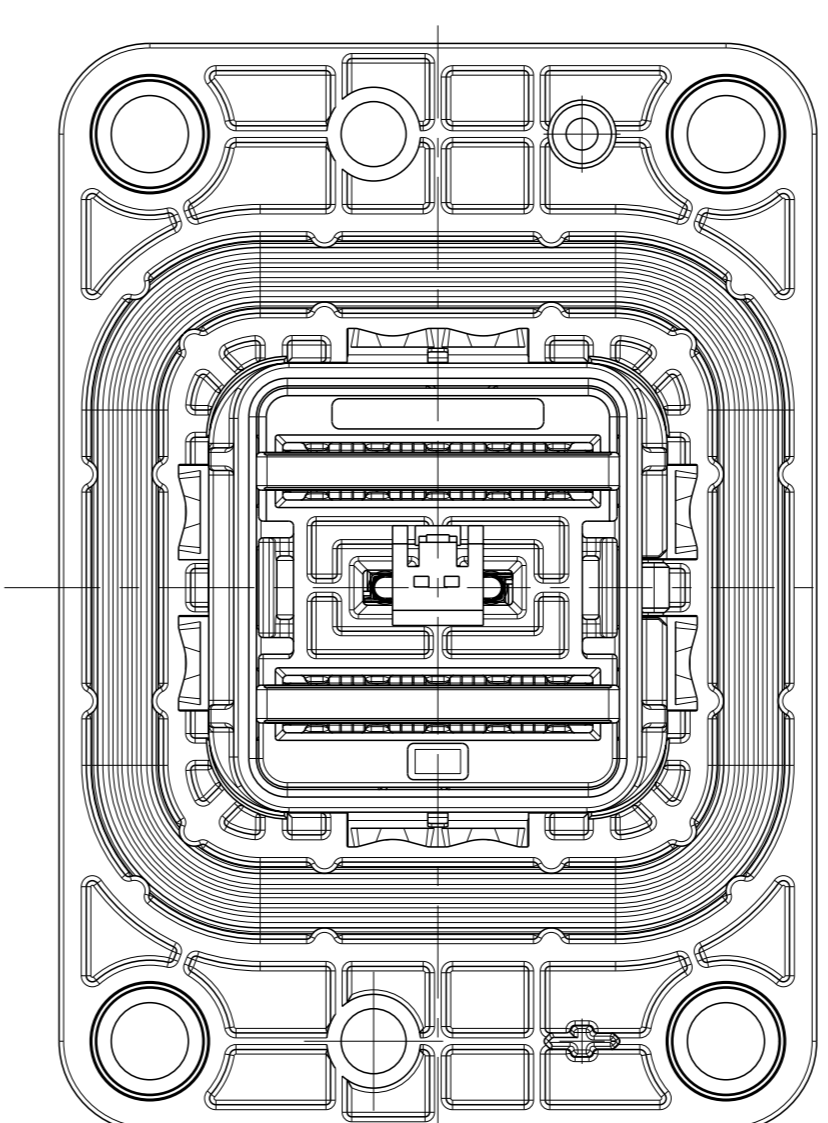
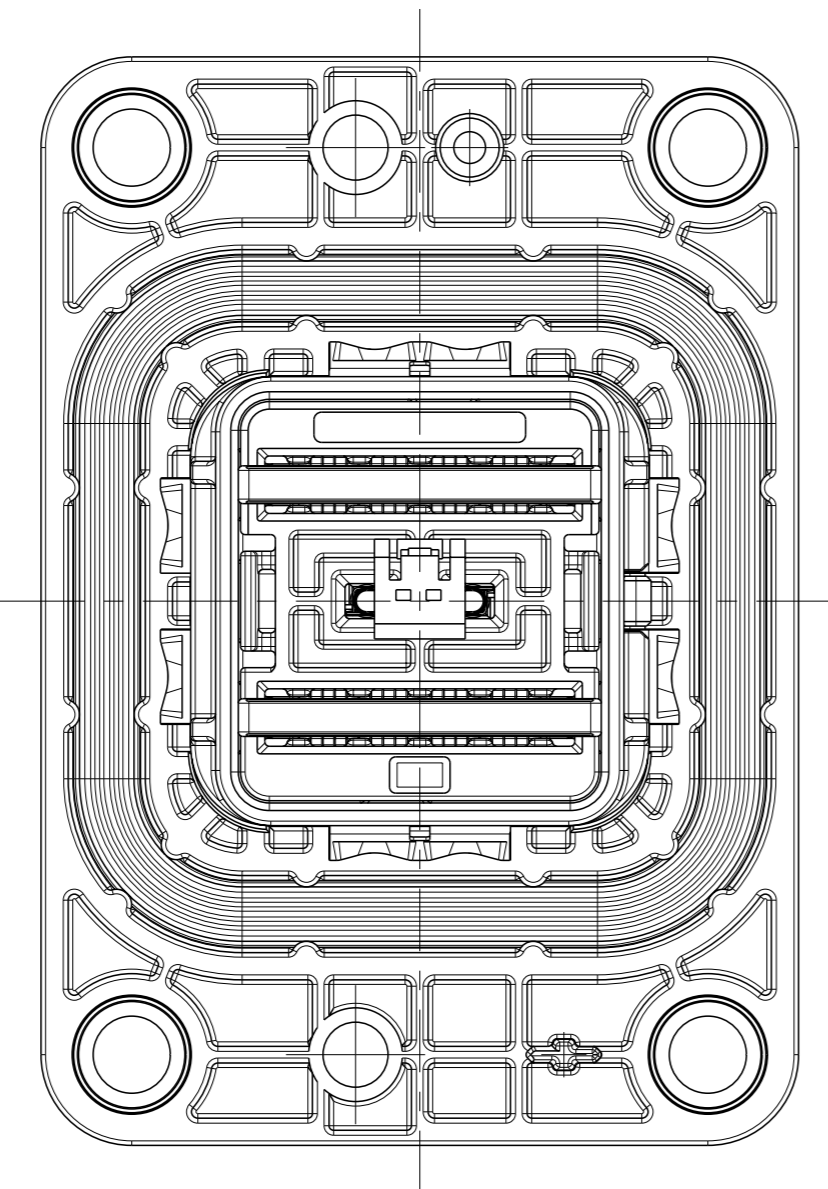
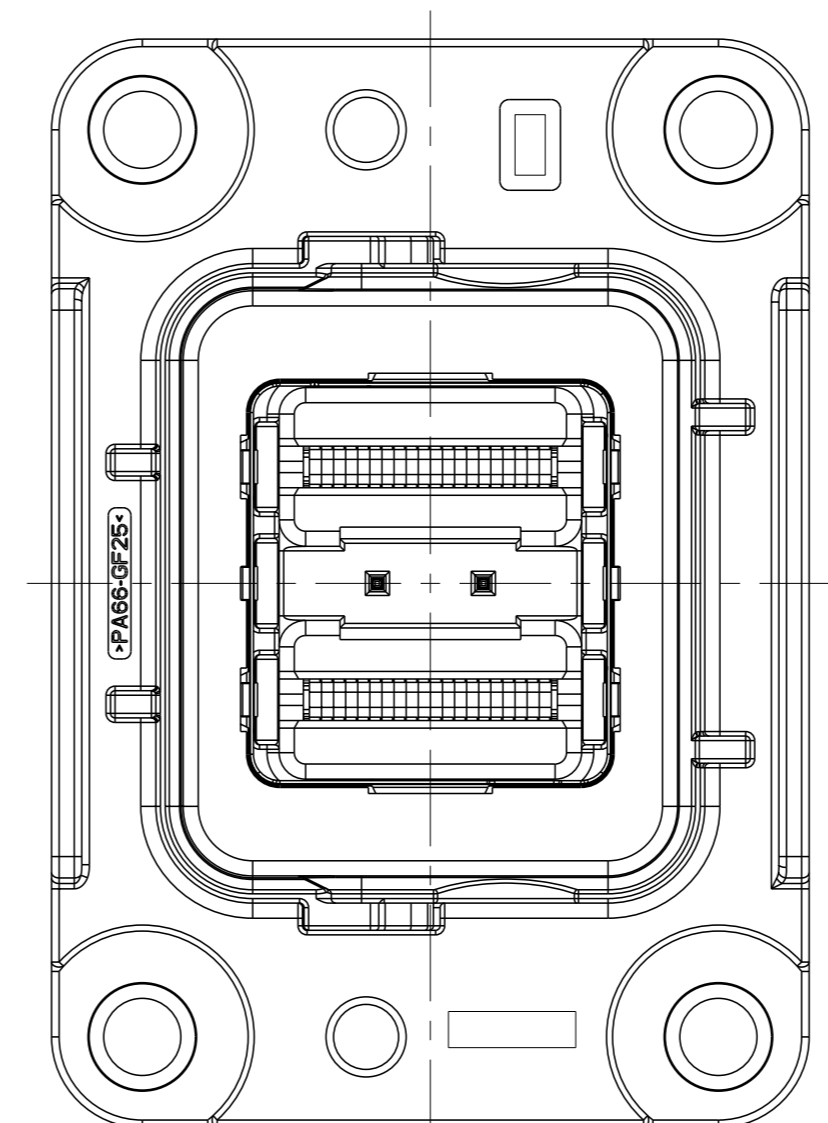
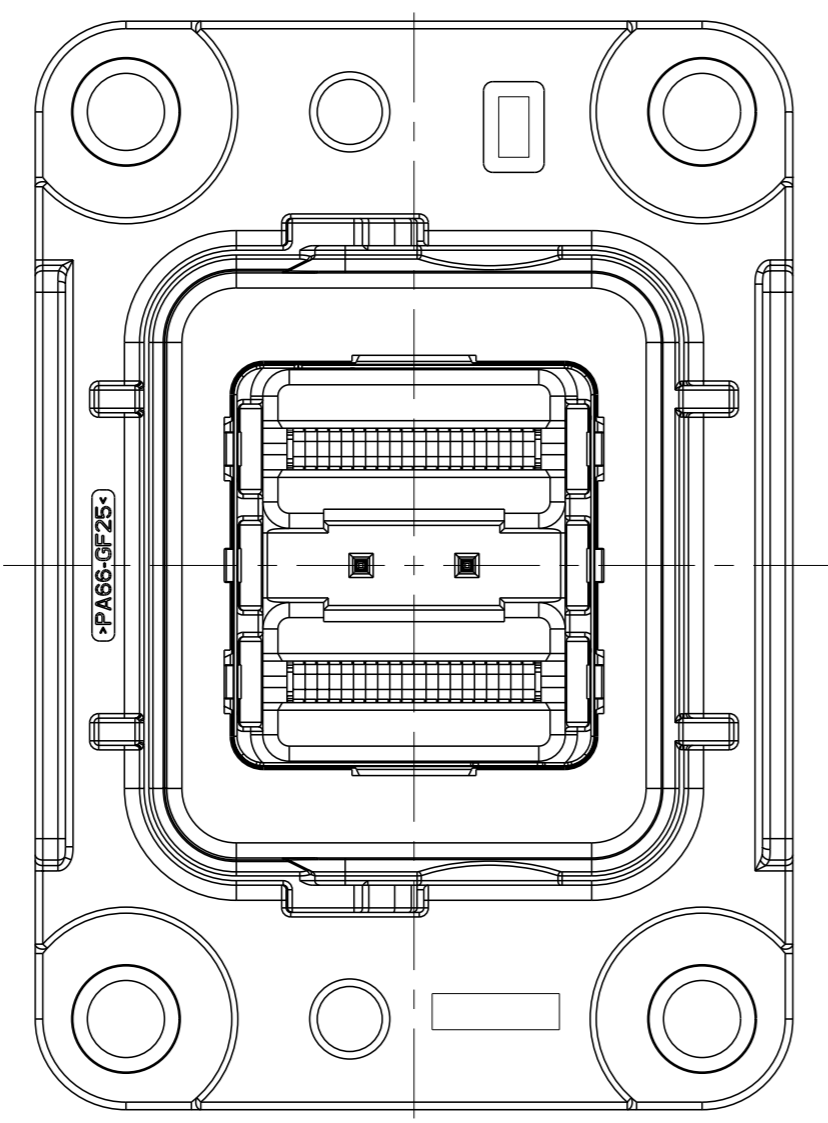
TE Connectivity

NAME: HDR OUTER HSG ASSY
 2POS, HC-STAK 25
 REFERENCE DRAWING

SIZE: A | CAGE CODE: 00779 | DRAWING NO: 2379307

SCALE: 1:1 | SHEET: 1 OF 2 | REV: A

REVISIONS				
P	LY#	DESCRIPTION	DATE	APVD
-		SEE SHEET 1	-	-



2379307-1
1-2379307-1
KEY-A

2379307-2
1-2379307-2
KEY-B

THIS DRAWING IS A CONTROLLED DOCUMENT.		OWN: GIRISH IG 26AUG2020	
		CHK: P. KOLHATKAR 27AUG2020	
		APVD: D. RHEIN 27AUG2020	NAME: HDR OUTER HSG ASSY 2POS, HC-STAK 25 REFERENCE DRAWING
		PRODUCT SPEC	
		APPLICATION SPEC	RESTRICTED TO
		WEIGHT	SIZE: A CAGE CODE: 00779 DRAWING NO: ©=2379307
		CUSTOMER DRAWING	SCALE: 2:1 SHEET: 2 OF 2 REV: A