

QT-Brightek High Power Series
1W High Power 3535 PC-Amber LED

Part No.: QBHP684UE-PCAU

PCA = PC-Amber
U = 350mA

Product: QBHP684UE-PCAU	Date: August 05, 2015	Page 1 of 10
	Version# 2.0	

Table of Contents:

Introduction	3
Electrical / Optical Characteristic ($T_A=25^{\circ}\text{C}$)	4
Absolute Maximum Rating	4
Correlated Color Temperature and Chromaticity Correlation	5
Characteristic Curves.....	6
IR Reflow Soldering Profile	7
Packing	8
Labeling	9
Ordering Information	9
Revision History	10
Disclaimer	10

Introduction

Feature:

- 1W High Bright LED
- Phosphor-Converted (PC) Amber
- Packed in tape and reel
- Low thermal resistance $<6^{\circ}\text{C}/\text{W}$
- Super high flux and luminance
- InGaN Material
- ESD protection up to 8KV
- Viewing Angle 130°

Description:

This 1W high bright high power LED has compact size of 3.6 x 3.6mm. It is ideal for both indoor and outdoor lighting

Application:

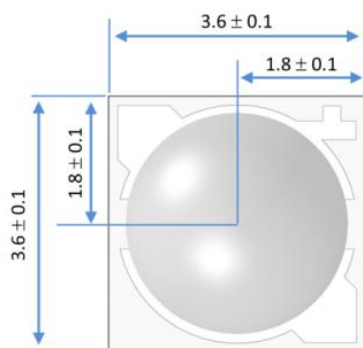
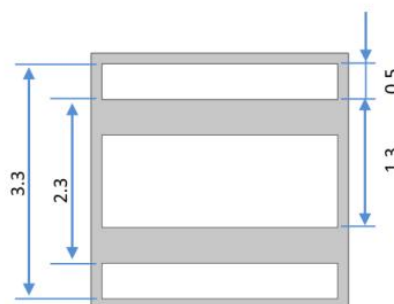
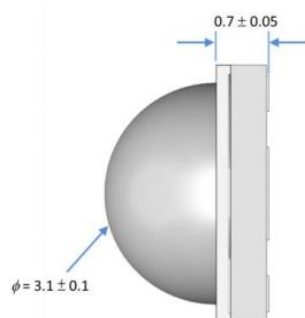
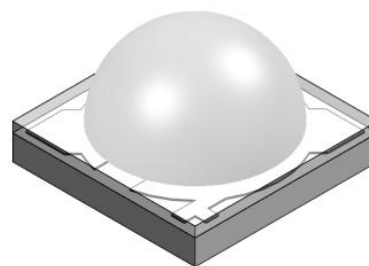
- Architectural and outdoor lighting
- Household appliances
- General lighting

Certification & Compliance:

- TS16949
- ISO9001
- RoHS Compliant

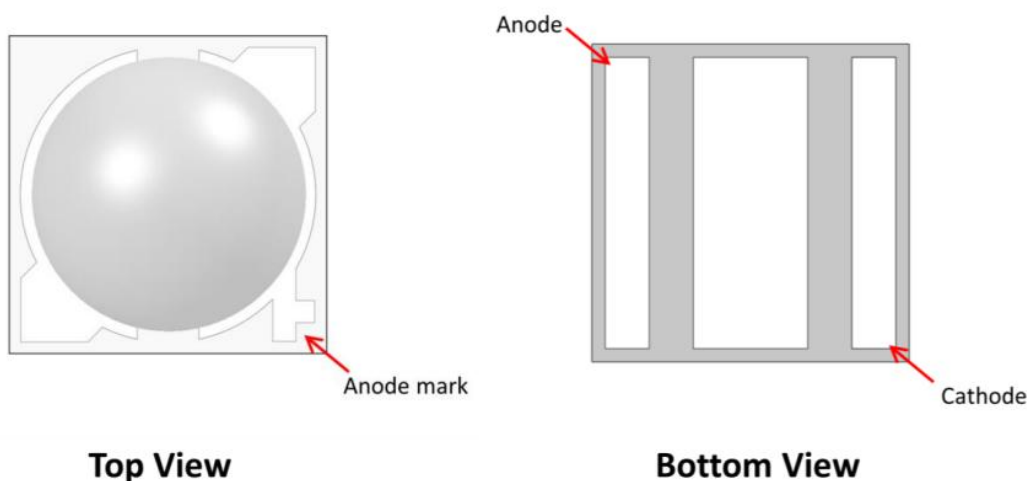


Dimensions:

**Top View****Bottom View****Side View**

Units: mm / tolerance = ± 0.1 mm

Pad Configurations:


Electrical / Optical Characteristic ($T_A=25^{\circ}\text{C}$)

Product Number	Color	I_F (mA)	V_F (V)		λ_D (nm)			Φ_v (lm)	
			Typ.	Max.	Min.	Typ.	Max.	Min.	Typ.
QBHP684UE-PCAU	PC Amber	350	3.3	3.6	-	590	-	60	65

Absolute Maximum Rating

Material	P_d (W)	I_F (mA)	I_{FP} (mA)*	V_R (V)	T_{OP} ($^{\circ}\text{C}$)	T_{ST} ($^{\circ}\text{C}$)	T_{SOL} ($^{\circ}\text{C}$)
InGaN	2.52	700	1000	5	-40 to +85	-40 to +100	240

*Duty 1/10 @ 0.1ms Pulse Width

Forward Voltage V_F @ $I_F=350\text{mA}$

Bin	Min.	Max.	Unit
H	2.8	3.0	V
I	3.0	3.2	
J	3.2	3.4	
K	3.4	3.6	

Luminous Flux Φ_v @ $I_F=350\text{mA}$

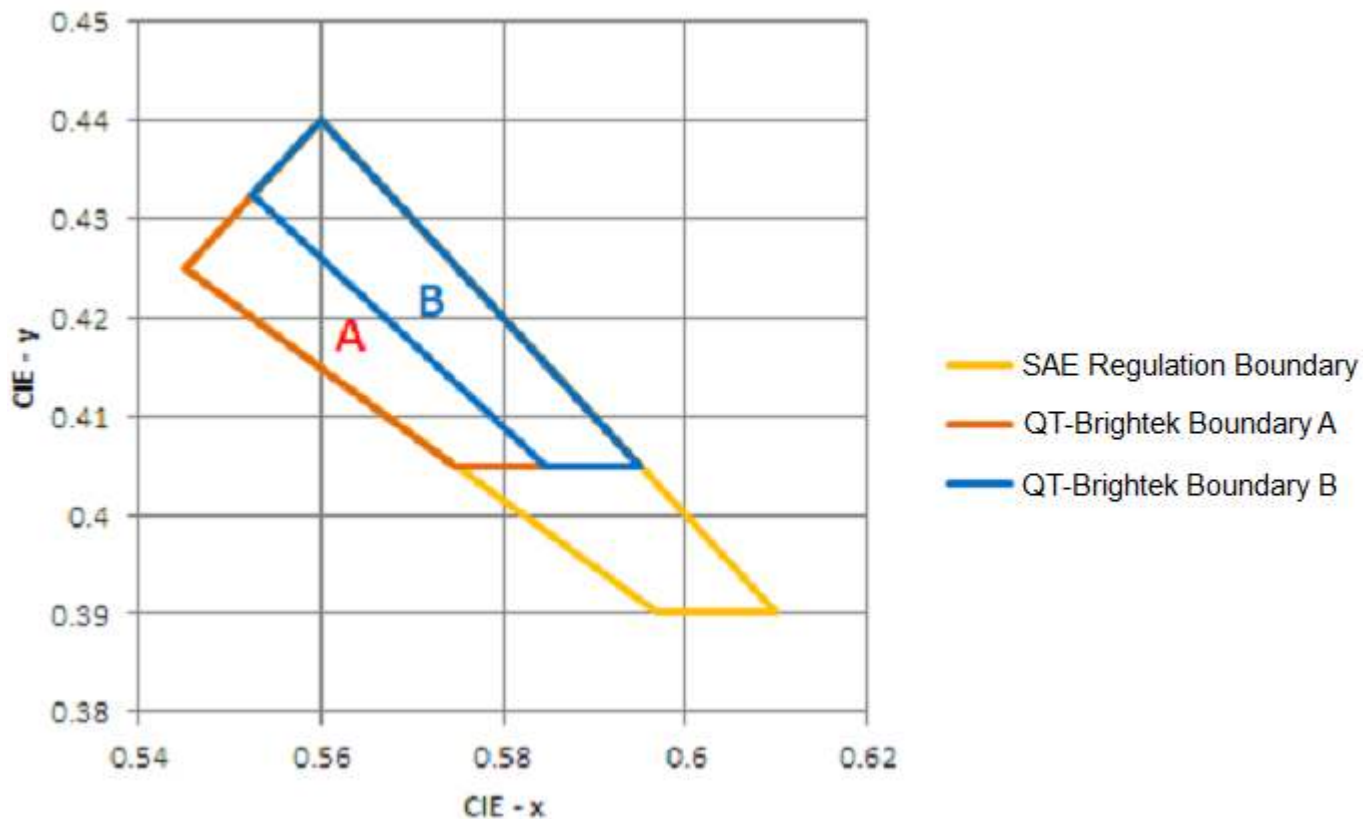
Bin	Min.	Max.	Unit
AA	60	70	lm
AB	70	80	
AC	80	90	
AD	90	100	
AE	100	110	

Note:

 Tolerance of measurement of forward voltage: $\pm 0.1\text{V}$

 Tolerance of measurement of luminous flux: $\pm 10\%$

Correlated Color Temperature and Chromaticity Correlation



SAE Regulation		A		B	
x	y	x	y	x	y
0.56	0.44	0.552455	0.432455	0.56	0.44
0.54491	0.42491	0.54491	0.42491	0.552455	0.432455
0.59701	0.39	0.57462	0.405	0.58481	0.405
0.61	0.39	0.58481	0.405	0.595	0.405
0.56	0.44	0.552455	0.432455	0.56	0.44

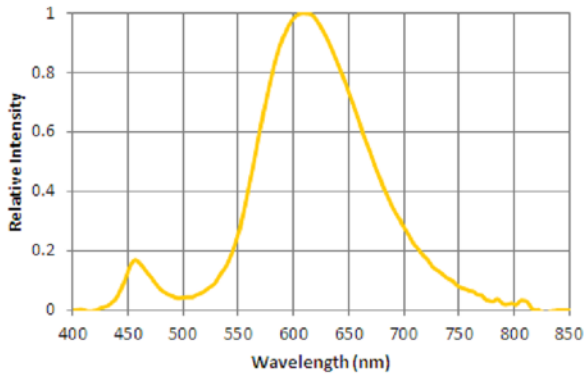
Note:

Tolerance of measurement of color coordinates: ± 0.01

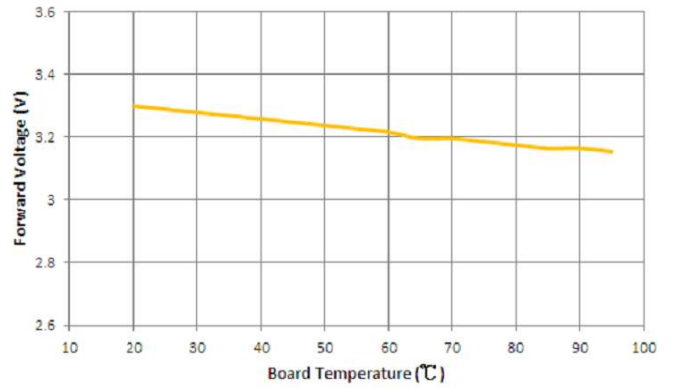
Characteristic Curves

Relative Spectral Distribution vs. Wavelength Characteristics

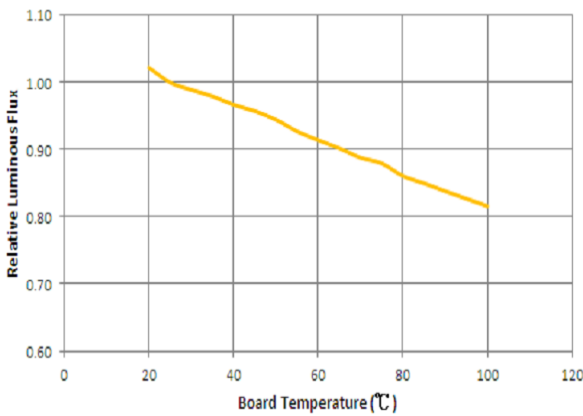
Thermal Pad Temperature = 25°C



Forward Voltage vs. Thermal Pad Temperature @350mA

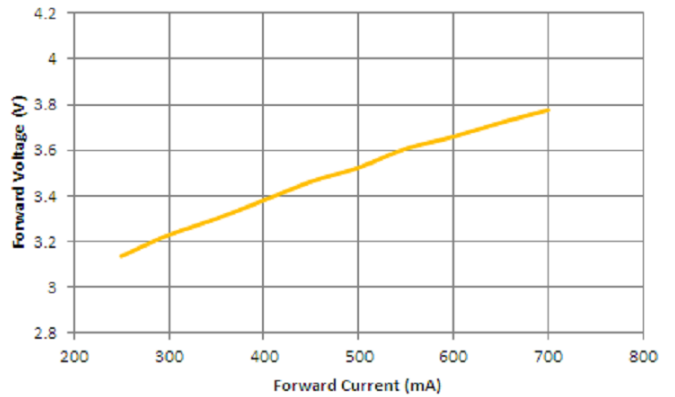


Relative Luminous Flux vs. Thermal Pad Temperature @350mA



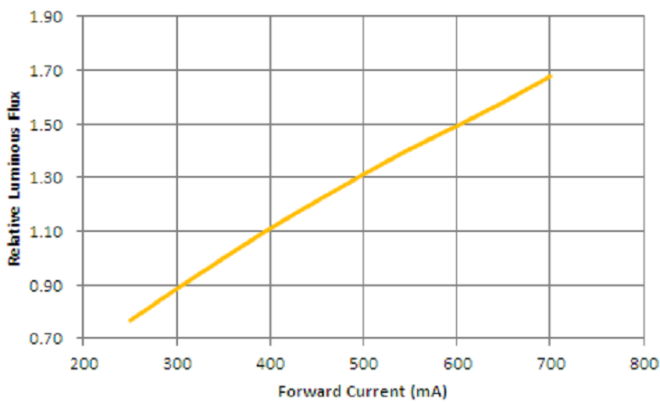
Typical Forward Current Characteristics

Thermal Pad Temperature = 25°C

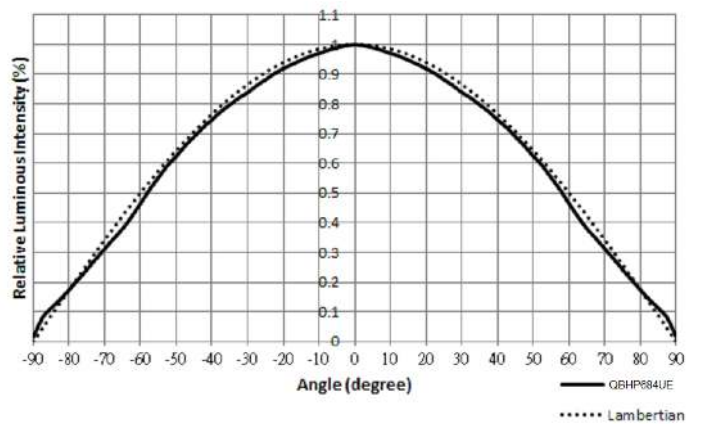


Typical Relative Luminous Flux vs. Forward Current

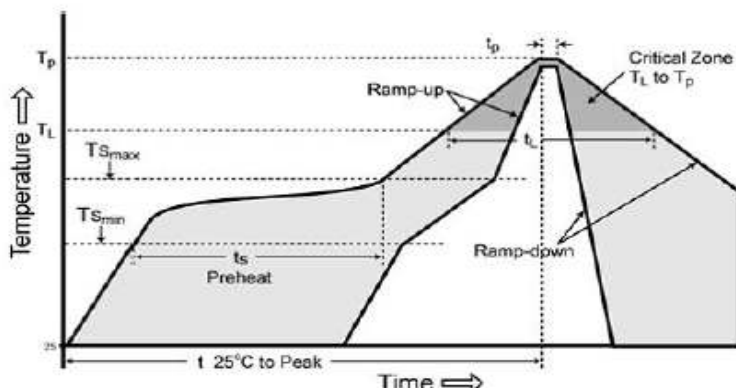
Thermal Pad Temperature = 25°C



Typical Radiation Patterns

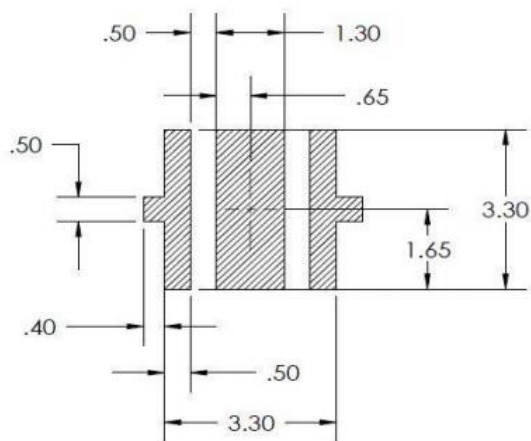


IR Reflow Soldering Profile

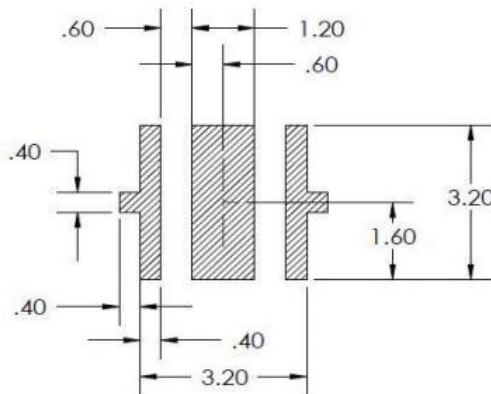


Profile Feature	Pb-Free Assembly
Average ramp-up rate (TL to TP)	3°C/second max.
Preheat	
Temperature Min (T _{smin})	150°C
Temperature Max (T _{smax})	200°C
Time (min to max) (t _s)	60-180 seconds
Time maintained above:	
Temperature (T _L)	217°C
Time (t _L)	60-150 seconds
Peak/Classification Temperature (T _p)	240°C
Time within 5°C of actual Peak Temperature (t _p)	20-40 seconds
Ramp-down Rate	6°C/second max.
Time 25°C to Peak Temperature	8 minutes max.

Recommended Soldering Pad:



RECOMMENDED PCB SOLDER PAD

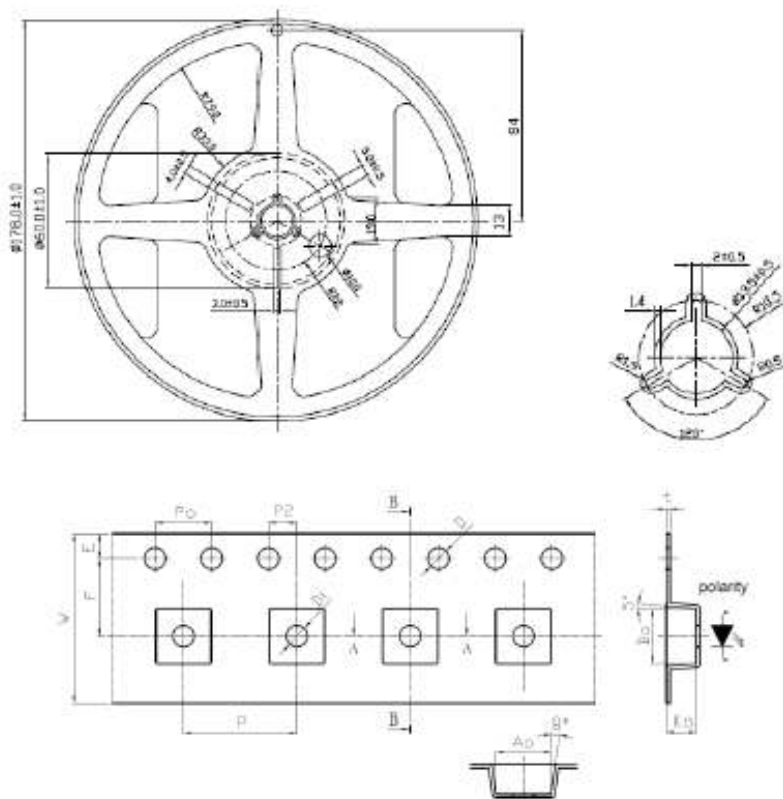


RECOMMENDED STENCIL PATTERN
(HATCHED AREA IS OPENING)

Unit: mm

Packing

Tape and Reel:



Notes: Dimensions are in millimeters.

Symbol	Dimension
W	11.00 ± 0.10
P	8.00 ± 0.10
E	1.75 ± 0.10
F	5.50 ± 0.05
P2	2.00 ± 0.05
D	1.50 + 0.10 or 1.50 - 0.00
D1	1.50 ± 0.10
Pn	4.00 ± 0.10
10Po	40.00 ± 0.20
Ao	3.90 ± 0.10
Bo	3.90 ± 0.10
Ho	2.15 ± 0.1
t	0.26 ± 0.05

Unit: mm

Labeling

Part No: _____

Customer P/N: _____

Item: _____

Q'ty: _____

Vf: _____

Iv: _____

WI: _____

Date: _____

Made in Taiwan**Ordering Information**

Part #	Orderable Part #	Spec Range	Quantity per reel
QBHP684UE-PCAU	QBHP684UE-PCAU	$\Phi v=65lm$ typ. @ $I_F=350mA$	1000 units

Revision History

Description:	Revision #	Revision Date
New Release of QBHP684UE-PCAU	V1.0	09/27/2013
Update Luminous Flux Bin	V1.1	04/30/2014
Update package drawing color to reflect ceramic substrate	V2.0	08/05/2015

Disclaimer

QT-BRIGHTTEK reserves the right to make changes without further notice to any products herein to improve reliability, function or design. QT-BRIGHTTEK does not assume any liability arising out of the application or use of any product or circuit described herein; neither does it convey any license under its patent rights, nor the rights of others.

Life Support Policy

QT-BRIGHTTEK's products are not authorized for use as critical components in life support devices or systems without the express written approval of QT-BRIGHTTEK. As used herein:

1. Life support devices or systems are devices or systems which, (a) are intended for surgical implant into the body, or (b) support or sustain life, and (c) whose failure to perform when properly used in accordance with instructions for use provided in the labeling, can be reasonably expected to result in a significant injury of the user.
2. A critical component in any component of a life support device or system whose failure to perform can be reasonably expected to cause the failure of the life support device or system, or to affect its safety or effectiveness.