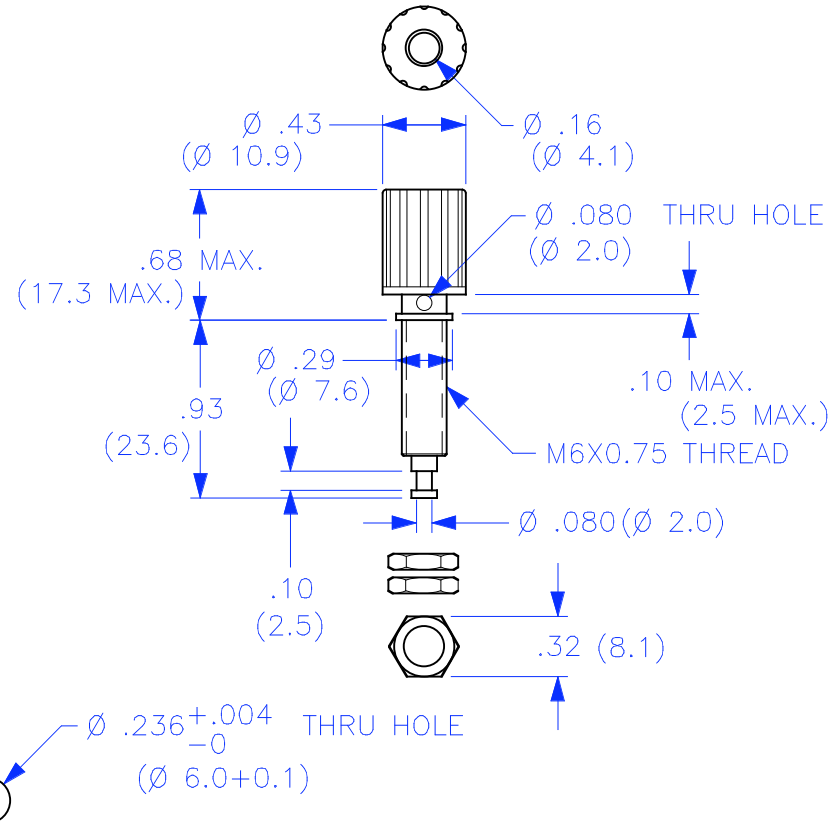


THIS IS ISSUED IN STRICT CONFIDENCE THAT IT IS NOT USED AS A BASIS FOR MANUFACTURE OR SALE AND THAT IT IS NOT COPIED, REPRINTED OR DISCLOSED TO A THIRD PARTY EITHER WHOLLY OR IN PART WITHOUT THE PRIOR WRITTEN CONSENT OF CAL TEST ELECTRONICS, INC.

REVISIONS			
REV.	DESCRIPTIONS	DATE	APPROVED
—	CLASS A RELEASED	7/11/99	

- 4mm NON-INSULATED BINDING POST, SOLDER TURRET
- SPECIFICATIONS:  
INSULATOR: POLYAMIDE (NYLON)  
JACK BODY: BRASS, NICKEL PLATED  
NUT: BRASS, NICKEL PLATED, 2 PIECES
- RATING:  
VOLTAGE: 1,200V AC/DC  
CURRENT: 36A MAX.  
TEMPERATURE: -20° C TO +80° C.
- MOUNTING HOLE: REFERENCE DIAGRAM.
- MAXIMUM PANEL THICKNESS: .60 (15.2)



**PART NUMBER**

**CT2234-#**

- COLOR:
- 0 - BLACK
  - 2 - RED
  - 4 - YELLOW
  - 5 - GREEN
  - 6 - BLUE
  - 9 - WHITE

MOUNTING HOLE

THIRD ANGLE PROJECTION		UNLESS OTHERWISE SPECIFIED DIMENSIONS ARE IN INCHES TOLERANCES ARE: FRACTIONS DECIMALS ± 1/32 .XX ± .02 DO NOT SCALE DRAWING .XXX ± .005	CONTRACT NO.		<b>Cal Test Electronics</b> 22820 Savi Ranch Parkway Yorba Linda, CA 92887-4610			
			APPROVALS	DATE	TITLE			
		MATERIAL	DRAWN	7/11/99	<b>4mm NON-INSULATED BINDING POST, SOLDER TURRET</b>			
		FINISH	CHECKED		SIZE	CAGE CODE	DWG. NO.	REV.
NEXT ASSY	USED ON		ENGR.		A	43F45	P223400	—
APPLICATION			DESIGN ACTIVITY		SCALE	1:1	SHEET	1 OF 1