



2110QA, 2111QA, 2112QA, 2113QA Series Non-Relampable Neon Indicator Lights



Description and Features

Mounting: Ø.310" MIN., supplied with push-on speednut SN1287-C

Terminals: Quick-connect, tinned brass .187" x .020"

Lens: Polycarbonate

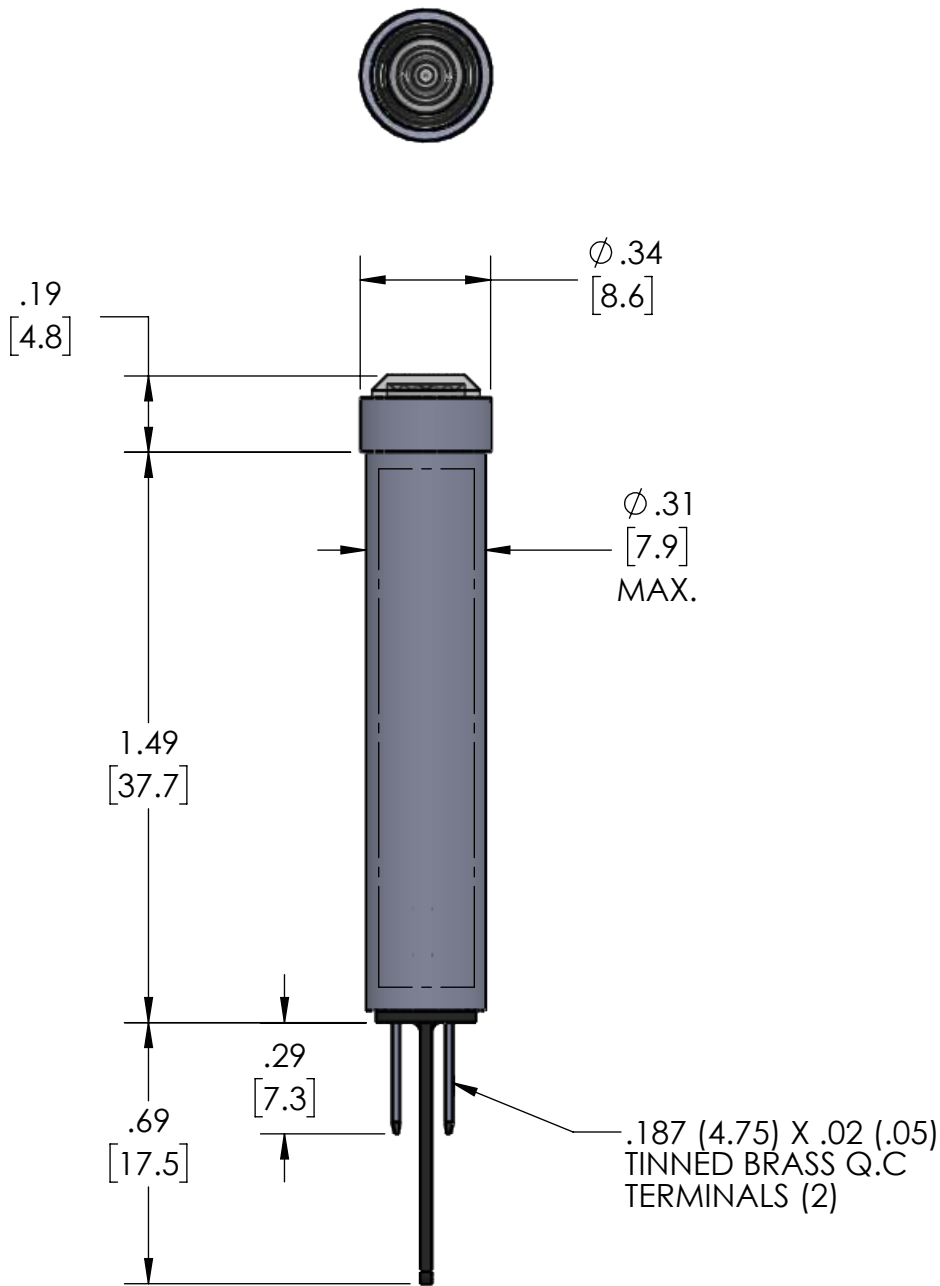
Housing: White Nylon. For black finish, add a "X" after the "A", for example: "2110QAX1".

Ordering Data

Lens Color	Neon	
	Model No. (105-125VAC)	Model No. (208-250VAC)
Red	2110QA1	2111QA1
Clear	2110QA2	2111QA2
Amber	2110QA3	2111QA3
White	2110QA4	2111QA4
Green	2112QA5*	2113QA5*
Lamp	C2A+Resistor	C2A+Resistor

* Incorporates G2B lamp and resistor.
Underwriters Laboratories (UL) File No. E20325

Product Dimensions



Dimensions in inches [mm]

Compliances and Approvals

