

This information is confidential and is disclosed to you on a condition that no further disclosure is made by you to anyone other than those specifically authorized in writing by THOMAS & BETTS INTERNATIONAL.

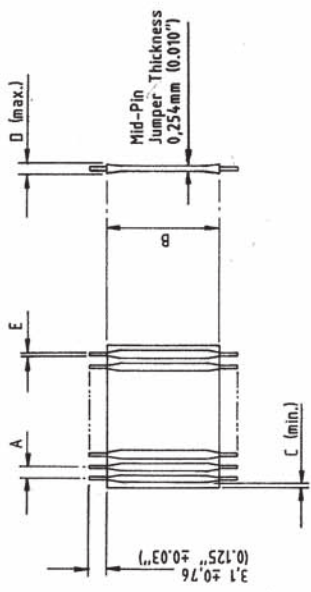


FLEXSTRIP* JUMPERS

2/86

+ CONDUCTOR PITCH "A"	MARGIN C (min.)	THICKNESS D (MAX.)	PIN DIAMETER E ±0.025 (±.001")	NUMBER OF CONDUCTORS	
				min.	max.
1 1.27 .050"	0.25 .010"	0.64 .025"	0.320 .0126"	2	30
6 1.90 .075"	0.38 .015"	0.84 .033"	0.404 .0159"	2	30
2 2.54 .100"	0.51 .020"	0.84 .033"	0.511 .0201"	2	30
3 3.18 .125"	1.52 .060"	0.84 .033"	0.511 .0201"	2	25
4 3.81 .150"	1.52 .060"	0.84 .033"	0.511 .0201"	2	20
5 5.08 .200"	1.52 .060"	0.84 .033"	0.511 .0201"	2	15

Dimensions are shown in mm (inches.)
 + Tolerance on Pitch ±0.25 (0.01") non-cumulative.

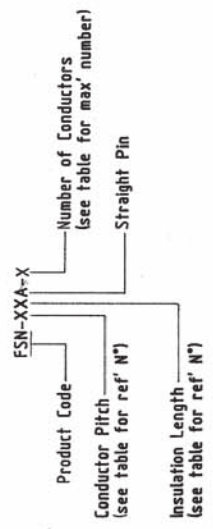


INSULATION LENGTH B ±1.57 (±0.062")	
mm	Con. Ref.
25.4	1
38.1	1 1/2
50.8	2
63.5	2 1/2
76.2	3
88.9	3 1/2
101.6	4
114.3	4 1/2
127	5
139.7	5 1/2
152.4	6

PROPERTIES :-
 Insulation Material - Nomex #
 Temperature Rating - 105°C
 Current Rating - 2 amps
 U.L. Style Number - 5188

NOTES:-
 * Trademark of Thomas & Betts Corporation
 # Registered trademark of E.I. Du Pont de Nemours

CATALOGUE NUMBERING SYSTEM



EXAMPLE:-

FSN -22A - 15
 FSN - Flexstrip Jumper With Nomex Insulation
 2 - Conductor Pitch 2.54 (0.100)
 2 - Insulation Length 50.8 (2)
 A - Straight Pin
 15 - Number of Conductors 15

T&B THOMAS & BETTS INTERNATIONAL EUROPEAN ENGINEERING DIVISION

DRG. N° **3S-10018**



ALL DIMENSIONS SHOWN THIS DRAWING ARE IN MILLIMETERS UNLESS OTHERWISE SPECIFIED
 0000 EQUALS ± .0002
 00 EQUALS ± .012

MATERIAL	TREATMENT	FINISH	PRODUCT CODE
			FSN-12A-18
TOLERANCES UNLESS OTHERWISE SPECIFIED			
DRAWING NO. 3S-10018			
REV. 0			
DATE			
DESCRIPTION			
REV. 0			

tyco C 5-1437181-7
 Electronics REV 0 SHP 1 of 1