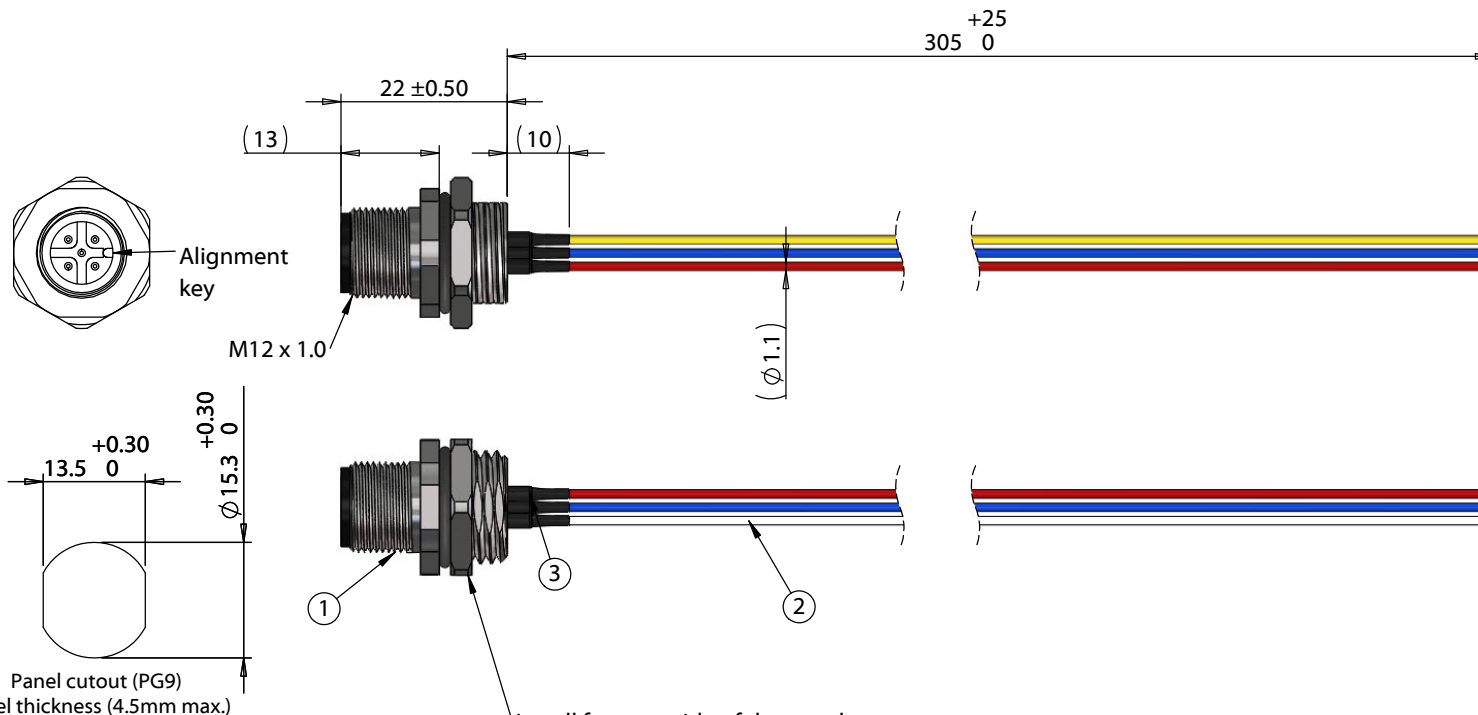


ITEM NO.	PART NUMBER	DESCRIPTION	QTY.	COMPONENT NOTES
1	54-00189	Connector, 5 pin M12 A-code plug, 12xL24mm, gold plated, panel mount, solder cup, IP67	1	nut and o-ring included
2	Wire	Wire, hook-up, TS, 24 AWG, UL 11028, 600V, 105C, 1.1 mm, mPPE	5	color: red, yellow, black, white, blue
3	Heat shrink	Heat shrink, UL, black	5	covers solder joints

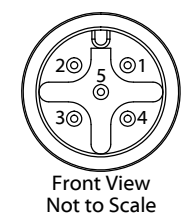


Install from outside of the panel, attach nut and tighten from within.

**Notes:**  
Cable rated for 60 V, 4 A  
Temperature: -40 ~ 105 °C

IP67 waterproof rating when mated with corresponding (IP67) connector and installed properly in panel

Cables individually packaged in PE bag  
Functionally equivalent components may be substituted



Wiring Diagram	
54-00189	wire color (P/N)
1	red (30-01762)
2	yellow (30-01765)
3	black (30-01763)
4	white (30-01764)
5	blue (30-01766)

Revision: A	Date: 4/19/2021	Description: Initial release	Prepared: AG <small>Digitally signed by AG Date: 2021.04.19 11:48:03 -07'00'</small>	Notes: RoHS compliant Function test: no open, no short circuit, no intermittent	<h1>TENSILITY</h1> <p>tel 1.541.323.3228 800 877.670.7118 fax 1.541.323.4202 web tensility.com</p>
			Verified: AW <small>Digitally signed by AW Date: 2021.04.21 14:06:13 -07'00'</small>		
			Dimensions are in millimeters. Tolerances: X: ± 0.5 mm X.X: ± 0.3 mm X.XX: ± 0.05 mm	Description: Cable, 305 mm, M12 5C plug panel mount 54-00189 to blunt cut, 24 AWG, UL 11028 hook-up wire	Size: A Part number: 10-04033
					Scale: 1:1  Sheet 1 of 1

5 4 3 2 1

To see a custom version of this cable assembly, call Tensility at 541-323-3228 or email engineering@tensility.com