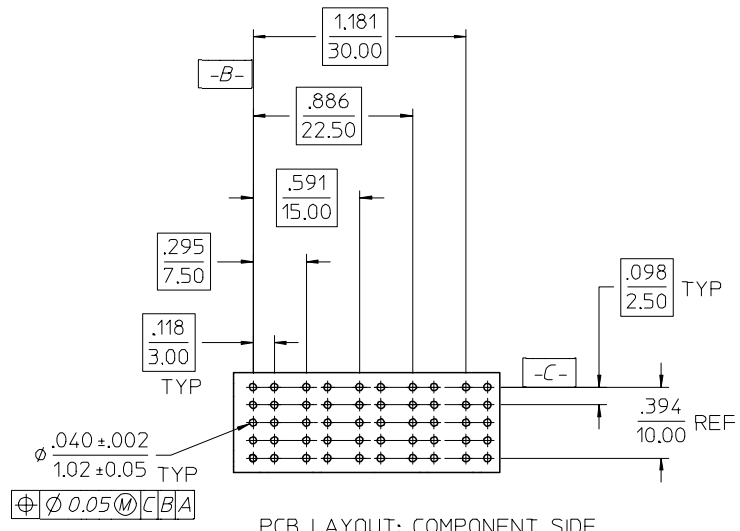
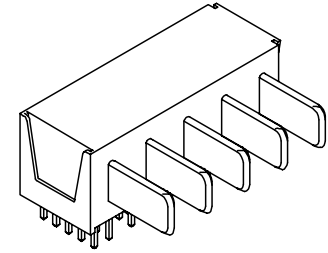
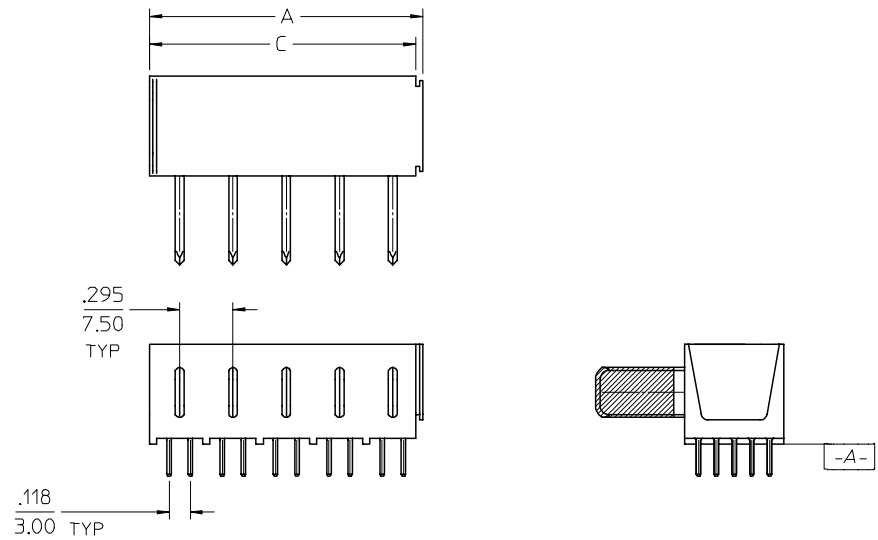


CKT	A	C
2	.630 16.00	.590 15.00
3	.925 23.50	.886 22.50
4	1.220 31.00	1.181 30.00
5	1.516 38.50	1.476 37.50



CKT	MATERIAL No	P	PCB THK
2	45505-2001	.177 4.50	.125 3.18
3	45505-3001		
4	45505-4001		
5	45505-5001	.143 3.60	.093 2.36
2	45505-2002		
3	45505-3002		
4	45505-4002	.115 2.92	.062 1.57
5	45505-5002		
2	45505-2003		
3	45505-3003	.115 2.92	.062 1.57
4	45505-4003		
5	45505-5003		

EC NO: UCP2005-1042 DRWN: KSAMIEC CHKD: KSAMIEC APPR: MARGULI	2005/03/21 2005/03/21 2005/03/24	DESCRIPTION REV	GENERAL TOLERANCES (UNLESS SPECIFIED)		DIMENSION STYLE IN/MM		SCALE 1:1	DESIGN UNITS METRIC	THIRD ANGLE PROJECTION		
				mm	INCH	DRAWN BY KSAMIEC	DATE 2003/02/10	TITLE POWER DOCK MODULE POWER PLUG 250V RTAN 12.5 SOLDER TAIL			
			4 PLACES	± ---	± ---	CHECKED BY MARGULI S	DATE 2003/02/10				
			3 PLACES	± ---	± ---	APPROVED BY MARGULI S	DATE 2003/02/10	MOLEX INCORPORATED DOCUMENT NO. SD-45505-001 SHEET NO. 2			
			2 PLACES	± 0.25	± ---	DRAFT WHERE APPLICABLE MUST REMAIN WITHIN DIMENSIONS					
1 PLACE	± 0.50	± ---	ANGULAR ± 1/2°	SIZE A	THIS DRAWING CONTAINS INFORMATION THAT IS PROPRIETARY TO MOLEX INCORPORATED AND SHOULD NOT BE USED WITHOUT WRITTEN PERMISSION						

6

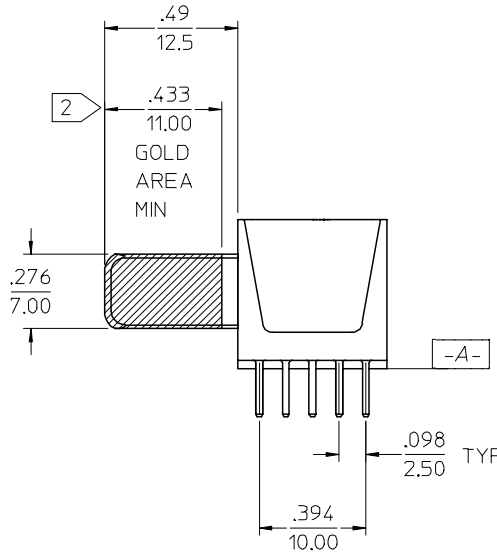
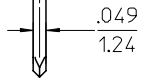
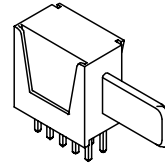
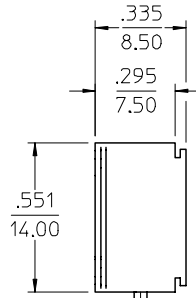
5

4

3

2

1



NOTES:

- HOUSING MAT'L: LCP, GLASS FILLED, UL 94V-0, BLACK
- CONTACT MAT'L: COPPER ALLOY
FINISH: SELECT GOLD - 30 MI MIN
SELECT TIN - 150 MI MIN
BOTH OVER NICKEL - 50 MI MIN
GOLD TO BE SPECIFIED THK IN THIS AREA
- PRODUCT SPECIFICATION: PS-45424-001
- PACKAGING SPECIFICATION: PK-45485-001
- THIS MODULE INTERLOCKS WITH ALL STANDARD MOLEX POWER DOCK MODULES.
- DATUM -A- IS THE CONNECTOR MOUNTING SURFACE.
- THE PRIMARY SHIPPING CARTON WILL BE LABELED "COMPLIANT TO RoHS DIRECTIVE 2000/95/EC AND ELV ANNEX II OF DIRECTIVE 2000/53/EC". CARTONS WITHOUT THIS LABEL MAY CONTAIN PRODUCT WITH TIN/LEAD PLATING.
- PC TAILS MAY BE BLUNT CUT TO LENGTH.

D

D

C

C

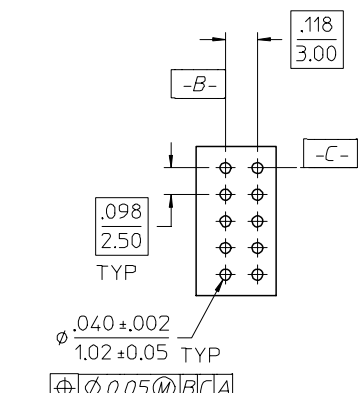
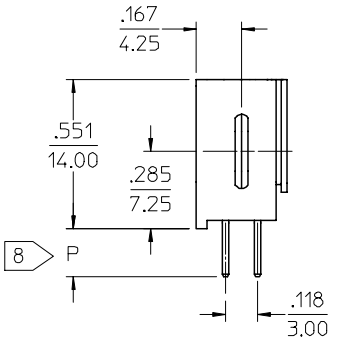
B

B

A

A

MATERIAL No	P	PCB THK
45505-0001	.177 4.50	.125 3.18
45505-0002	.143 3.60	.093 2.36
45505-0003	.115 2.92	.062 1.57



PCB LAYOUT: COMPONENT SIDE

EC NO: UCP2005-1042 DRWN:KSAMIEC 2005/03/21 CHKD: 2005/03/21 APPR:YMARGULI 2005/03/24	DESCRIPTION	GENERAL TOLERANCES (UNLESS SPECIFIED)		DIMENSION STYLE IN/MM		SCALE 1.5:1	DESIGN UNITS METRIC	THIRD ANGLE PROJECTION
		4 PLACES ± ---	± ---	DRAWN BY KSAMIEC	DATE 2003/02/10	TITLE POWER DOCK MODULE POWER PLUG 250V RTAN 12.5 SOLDER TAIL		
3 PLACES ± ---	± ---	CHECKED BY MARGULIS	DATE 2003/02/10					
2 PLACES ± 0.25	± ---	APPROVED BY MARGULIS	DATE 2003/02/10	MOLEX INCORPORATED				
1 PLACE ± 0.50	± ---	MATERIAL NO.						
ANGULAR ± 1/2°		DRAFT WHERE APPLICABLE MUST REMAIN WITHIN DIMENSIONS		SIZE A	THIS DRAWING CONTAINS INFORMATION THAT IS PROPRIETARY TO MOLEX INCORPORATED AND SHOULD NOT BE USED WITHOUT WRITTEN PERMISSION			
REV B				DOCUMENT NO. SD-45505-001			SHEET NO. 1 OF 2	

5

4

3

2

1