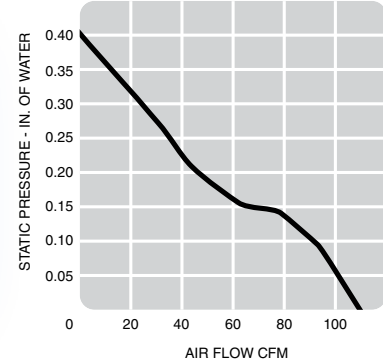
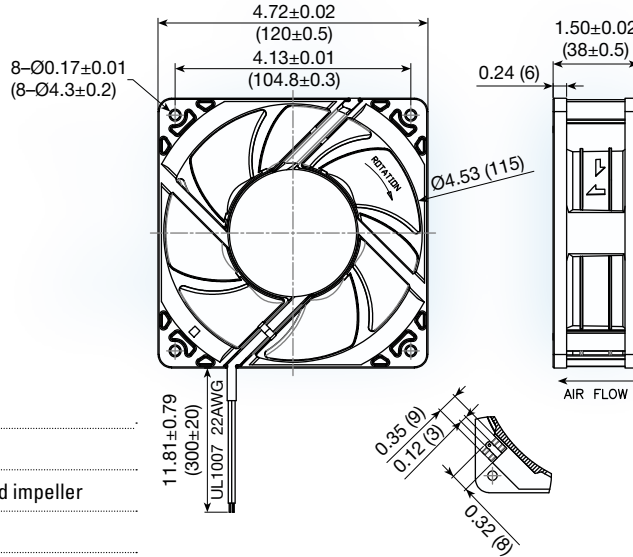




LPT12A99 series



(120 x 120 x 38 mm)

4.72 x 4.72 x 1.50 inches

Operating voltage: 90-265 VAC

Construction: plastic frame and impeller

Bearing option: ball bearing

Motor: electronically commutated

Air flow: exhaust over struts

Connection: lead wire UL1007 24AWG or terminal

Protection: auto restart

Options:

- encapsulated motor (IP68)
- ATEX



Model No.	Rated Voltage V	Freq. HZ	Input Power W	Rated Cur. A	Speed RPM	Air Volume		Max. Sta tic Pressure (H ₂ O)		Sound Noise dB _A	Wt . g
						M ³ /Min.	CFM	MM	INCH		
LPT12A99	115-230	50/60	4.9	0.08	3,200	2.968	106	8.636	0.34	43	290