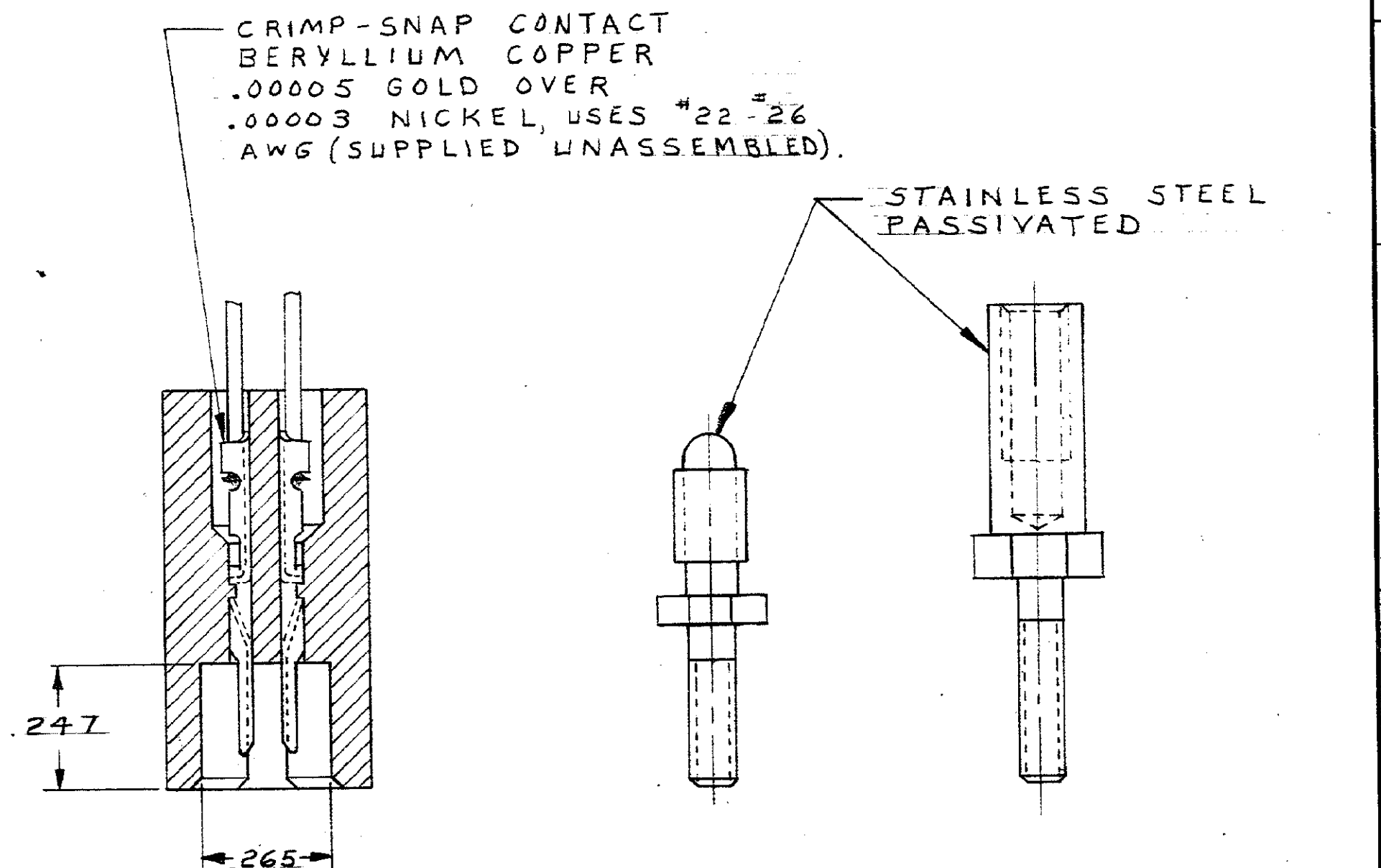
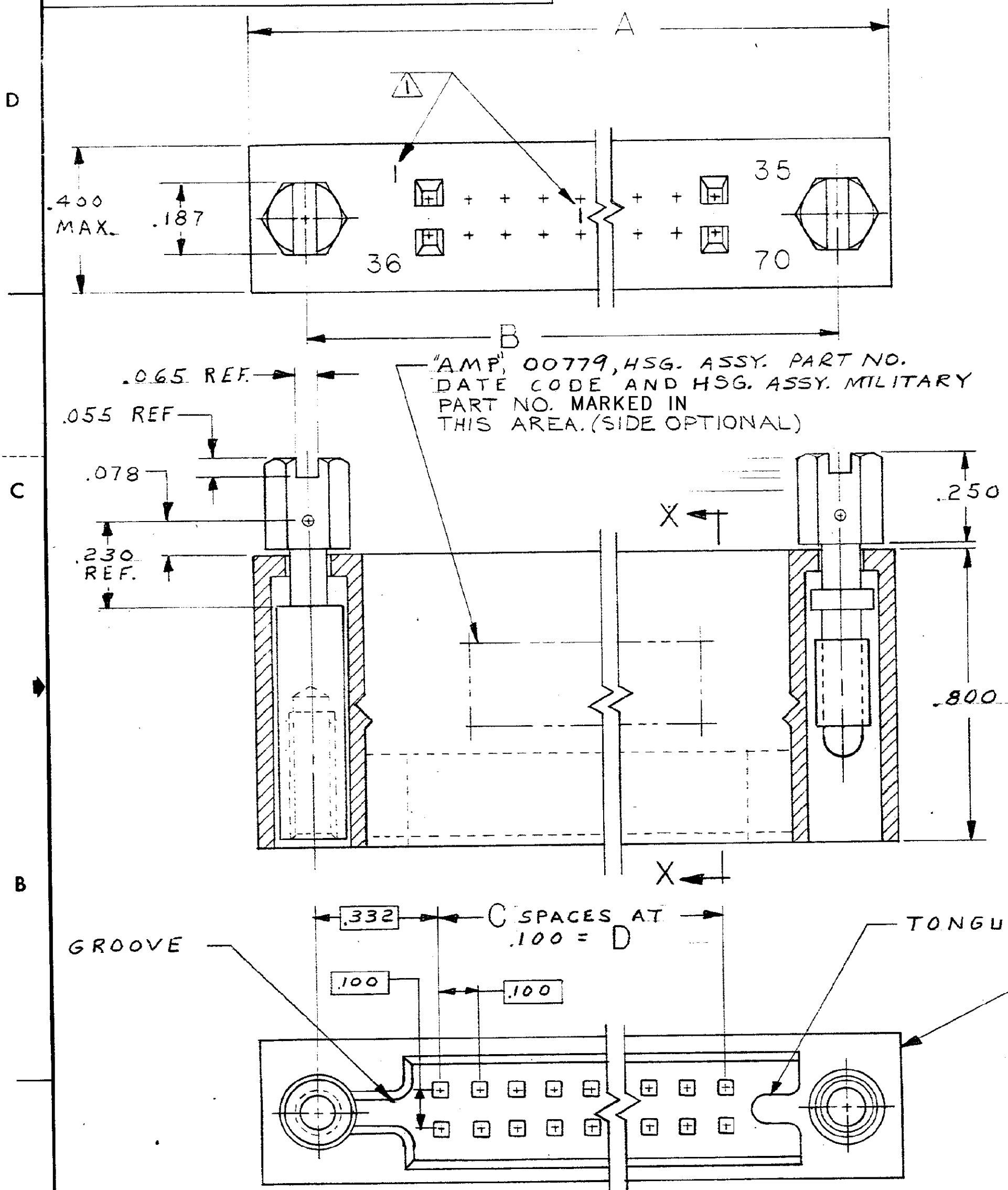


DRAWING MADE IN THIRD ANGLE PROJECTION

© COPYRIGHT 1976 BY AMP INCORPORATED, HARRISBURG, PA.
ALL INTERNATIONAL RIGHTS RESERVED. AMP INCORPORATED PRODUCTS
COVERED BY U. S. AND FOREIGN PATENTS AND/OR PATENTS PENDING.

LOC		DIST			
DF		FC			
REVISIONS					
P	F	ZONE/LTR	DESCRIPTION	DATE	APPROVED
	F		ECO-08-020831	PY 10-08	BW



MALE FIXED JACKSCREW 531141-3 (M 55302/113-14)
FEMALE FIXED JACKSCREW 531141-4 (M 55302/113-13)

HOUSING MATL.: GLASS FILLED POLYESTER
COLOR: BLUE

- 1. NUMBERS, SEE TABLE, AND LINES INDICATING EVERY FIVE CAVITIES MARKED IN AREA SHOWN
- 2. MEETS PERFORMANCE REQUIREMENTS OF MIL-C-55302.
- 3. MATES WITH EXTERNAL KEY TYPE RECEPTACLE ASSY. 1000 SERIES, WHICH USES THE FIXED JACKSCREWS AND NUTS FOR FASTENING.
- 4. EACH KIT CONTAINS:
 - A. 1 HOUSING ASSY. WITH TURNABLE JACKSCREWS (SEE CHART).
 - B. 2 FIXED JACKSCREWS (MALE AND/OR FEMALE) TO MATE WITH TURNABLE JACKSCREWS.
 - C. CONTACTS IN LOOSE PIECE FORM. (QTY. IS NUMBER OF POS. +5 EXTRA.)
 - D. 2 # 2-56 STAINLESS NUTS (NOT SHOWN) FOR FIXED JACKSCREWS.

UNLESS OTHERWISE SPECIFIED DIMENSIONS ARE IN INCHES. TOLERANCES ON: DECIMALS ±.010 ANGLES ±.010		CONTRACT NO. DR <i>M. Smith</i> 5-5-78 CHK 5-10-78 R. Durbin APPD <i>Roy H. Eubank</i> 5-11-78 APPD <i>R. Showman</i> 5-26-78 DSGN APPD OTHER APPD		AMP INCORPORATED Harrisburg, Pa.	
MATERIAL SEE CALLOUT		FINISH SEE CALLOUT		NAME CRIMP-SNAP BOX CONTACT, PIN HEADER KIT.	
PART NO.		SIZE	CODE	IDENT NO	DRAWING NO
		C	00779		530755
		SCALE	SHEET 1 OF 2		REV F

CUSTOMER DRAWING

MADE IN THIRD ANGLE PROJECTION

COPYRIGHT 1976 BY AMP INCORPORATED, HARRISBURG, PA.
ALL INTERNATIONAL RIGHTS RESERVED. AMP INCORPORATED PRODUCTS
COVERED BY U. S. AND FOREIGN PATENTS AND/OR PATENTS PENDING.

REVISIONS						
P	F	ZONE	LTR	DESCRIPTION	DATE	APPROVED
				SEE SHEET 1		

M55302/113-75	M	M												
↑	F	M	1	50	4.900	49	5.565	5.855	100	3-530755-6	3-	↑	-5	
	M	F	51	100						3-			-4	
	F	F								3-			-3	
	M	M								3-			-2	
	F	M	1	45	4.400	44	5.065	5.355	90	3-			-1	
	M	F	46	90						3-			-0	
	F	F								2-			-9	
	M	M								2-			-8	
	F	M	1	40						2-			-7	
	M	F	41	80	3.900	39	4.565	4.855	80	2-			-6	
	F	F								2-			-5	
	M	M								2-			-4	
	F	M	1	30						2-			-3	
	M	F	31	60	2.900	29	3.565	3.855	60	2-			-2	
	F	F								2-			-1	
	M	M								2-			-0	
	F	M	1	25	2.400	24	3.065	3.355	50	1-			-9	
	M	F	26	50						1-			-8	
	F	F								1-			-7	
	M	M								1-			-6	
	F	M	1	20						1-			-5	
	M	F	21	40	1.900	19	2.565	2.855	40	1-			-4	
	F	F								1-			-3	
	M	M								1-			-2	
	F	M	1	15	1.400	14	2.065	2.355	30	1-			-1	
	M	F	16	30						1-			-0	
	F	F											-9	
	M	M											-8	
	F	M	1	55	5.400	54	6.065	6.355	110				-7	
	M	F	56	110									-6	
	F	F											-5	
	M	M											-4	
	F	M	1	35									-3	
	M	F	36	70	3.400	34	4.065	4.355	70				-2	
	F	F											-1	

M55302/113-01	TONGUE END GROOVE END	CAVITY IDENT.	"D"	"C"	"B"	"A"	POS.	PART NO
MILITARY PART NO.	TURNABLE JACKSCREW IN HOUSING ASSY.	CONTRACT NO						
	TOLERANCES ON: DECIMALS ± ANGLES ±	DR <i>M. Smith</i> 4-28-78	AMP INCORPORATED Harrisburg, Pa.					
	MATERIAL	CHK <i>R. D. King</i> 5-10-78	NAME CRIMP-SNAP BOX CONTACT, PIN HEADER KIT.					
	FINISH	APPD <i>R. D. King</i> 5-10-78	SIZE	CODE IDENT NO	DRAWING NO	REV		
		APPD <i>R. Shoumen</i> 5-26-78	C	00779	530755	F		
		DSGN APPD	SCALE			SHEET	2 OF 2	
		OTHER APPD						