



**Mallory Sonalert Products, Inc.**

Part #:

**SBS300FL**

**Sales Outline Drawing**

Revision:

**D**

<b>Specifications:</b>	<b>cUL Recognized as capable of meeting Medical Spec IEC60601-1-8 AMD2:2020</b>
Coil Impedance ( $\Omega$ ):	8 @ 1-Volt
Sound Level Category:	Extra Loud
Voltage Rating:	2.8Vp-p Square Wave
Power Rating (W):	1 W Rated 1.5 W Max
Recommended Drive:	325 Hz
Frequency:	150 to 4000 Hz
Loudness @ 10cm:	95 to 105 dB(A) Typ.
Harmonics Present:	Minimum of 4 peaks within $\pm 15$ dB from 1-4kHz
Housing Material:	ABS 777D Plastic Resin, Black
Leading Wire:	28 AWG
Storage Temperature:	-40° to +85° C
Operating Temperature:	-30° to +65° C
Weight Typical:	1.1 oz (32g)
Options:	Please contact factory.

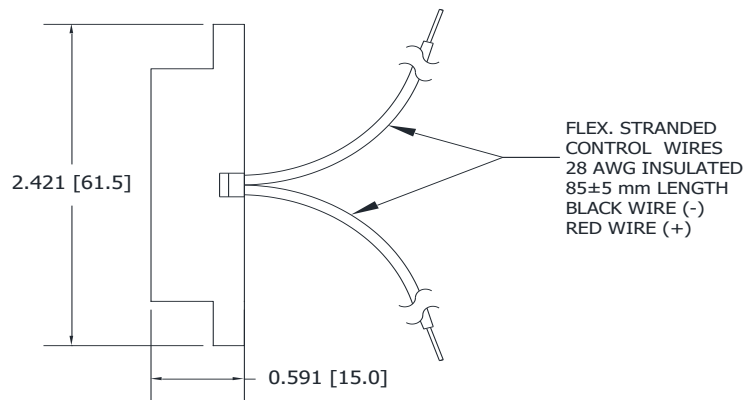
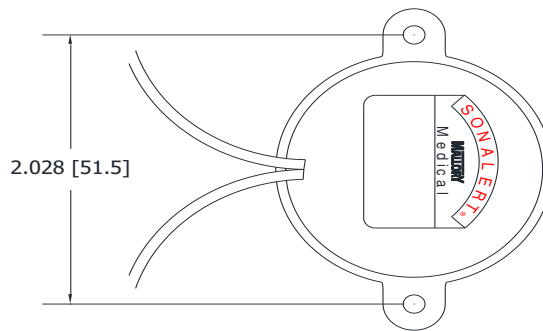
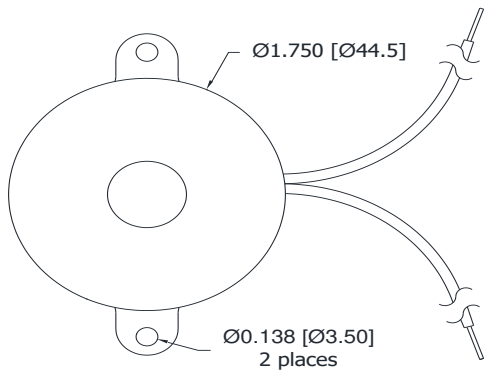
**Dimensions:** Inches (mm) **cUL Recognized** **ROHS Compliant**

PATENT NUMBER: 7880593

Before Code Date: 1546

Not cUL Recognized

After Code Date: 1547 cUL Recognized



tolerances:  $\pm 0.01$  [ $\pm 0.3$ ]  
 $\pm 0.005$  [ $\pm 0.1$ ]