



- 10G Base-T for LAN and other Ethernet Applications
- Low Profile Design
- Industrial Operating Temp. Range: -40°C to +85°C

**Electrical Specifications @ 25°C**

OCL(μH Min) @100KHZ,0.1V With 8mA DC Bias	DCR (Ω Max)	Turns Ratio @100KHZ, 0.1V (1:1±5%)				Insertion Loss (dB Max)		
		P8-P9 : J1-J2	P3-P2 : J3-J6	P4-P5 : J4-J5	P11-P10 : J7-J8	1-100MHz	100-250MHz	250-500MHz
100	2.0					-1.0	-1.5	-3.0

**Electrical Specifications @ 25°C**

Return Loss (dB Min) (Line Side S11)				Return Loss (dB Min) (PHY Side S22)				Cross Talk (dB Min)		Hi-Pot Input to Output 1500VAC 1mA, 60S
1-40MHz	40-100MHz	100-250MHz	250-500MHz	1-40MHz	40-100MHz	100-250MHz	250-500MHz	1-100MHz	100-500MHz	
-20	-16	-13	-8	-18	-14	-11	-6	-30	-22	

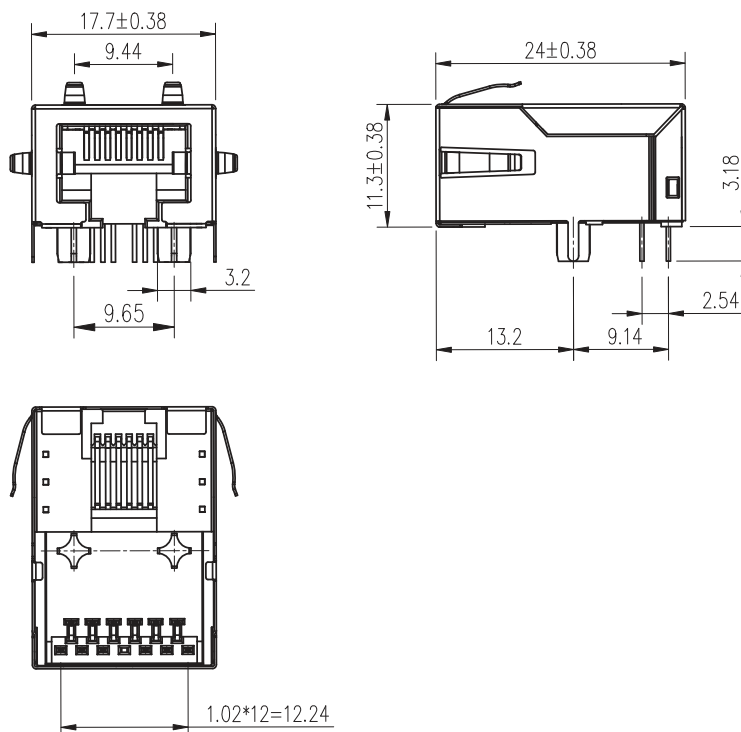
**Electrical Specifications @ 25°C**

CMRR (dB Min)			CDMR (dB Min)		
1-100MHz	100-250MHz	250-500MHz	1-100MHz	100-250MHz	250-500MHz
-35	-30	-25	-35	-30	-22

All specifications subject to change without notice.

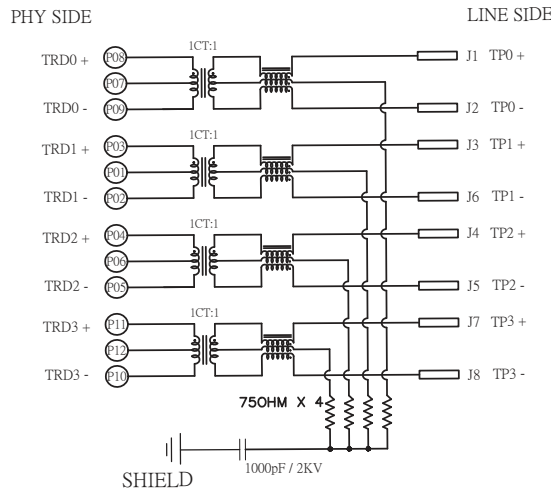
**MECHANICAL**

Dimensions are in mm

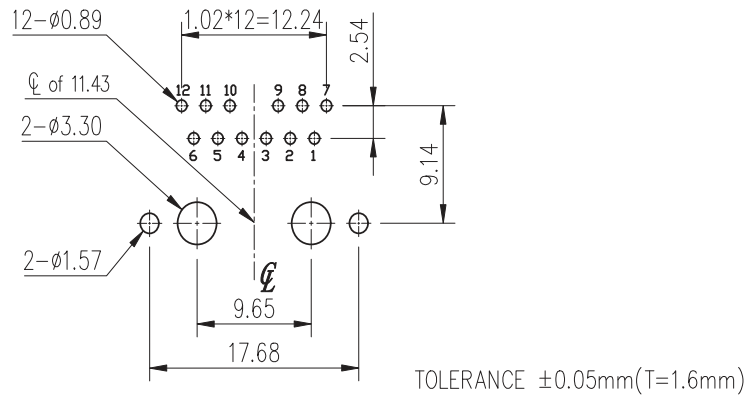




**SCHEMATIC**



**PCB LAYOUT**



**NOTES**

- 1. Shielded - 0.20mm Thickness Brass C2680 H.  
Plating Nickel 20u"MIN.
- 2. Housing- Plastic:LCP,Glass Fiber Filled  
UL94V-0 , Color Black.
- 3. Contact Pin- Plastic:LCP,Glass Fiber Filled  
UL94V-0 , Color Black.  
Pin: 0.35mm Thickness Phosphor Bronze C5210 EH.  
Plating:Nickel 30u"~60u" For All And Sn 100%,  
And Gold Plating 30u".
- 4. Insert Pin- Plastic:High Temperature Plastics  
UL94V-0 , Color Black.  
Pin: 0.35mm Thickness C2680.  
Plating:Sn All Over 30u"~60u" Nickel