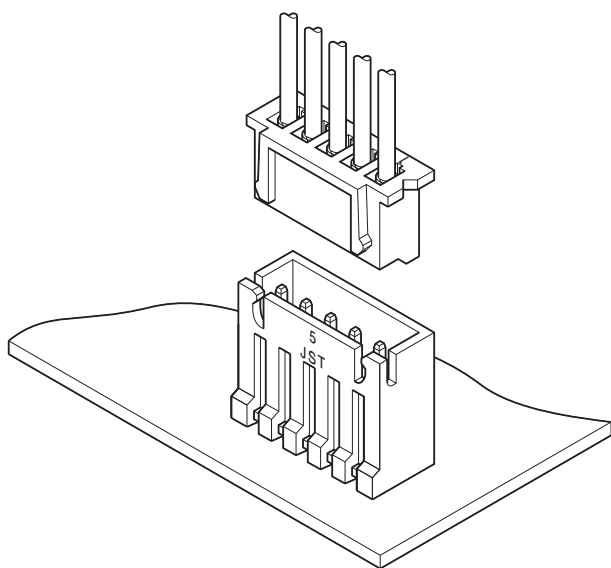


XH CONNECTOR (High box type)

2.5 mm pitch/Wire-to Board connectors/Crimp style and Mating style



This is a XH connector high-box type with a mounting height of 17.0 mm and a thickness of 5.8 mm. It provides stable state contact even for micro-voltage and current circuits.

- Header suitable for potting process
- Interchangeability

Specifications

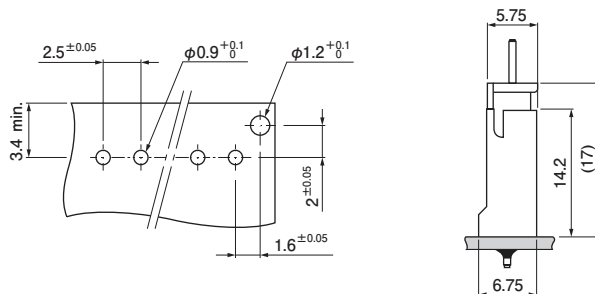
- Current rating: 3 A AC/DC (AWG #22)
 - Voltage rating: 250 V AC/DC
 - Temperature range: -25°C to +85°C
(including temperature rise in applying electrical current)
 - Contact resistance: Initial value/ 10 mΩ max.
After environmental tests/ 20 mΩ max.
 - Insulation resistance: 1,000 MΩ min.
 - Withstanding voltage:
There shall be no breakdown or flashover while applying 1,000 VAC for one minute.
 - Applicable wire range: AWG #30 to #22
 - Applicable PC board thickness: 1.6 mm
- * Please refer to the "Handling Precautions for Terminals and Connectors" on our website (listed in the "Technical Documents" column on the Product Information page) before use.
- * RoHS2 compliance
- * Dimensional unit: mm
- * Contact JST for details.

Standards

For information on overseas standard registrations, please refer to the "List of Registered Overseas Standards" on our website (listed in the "Technical Documents" column on the Product Information page).

- * Specifications registered to overseas standards may differ from the general specifications listed above.

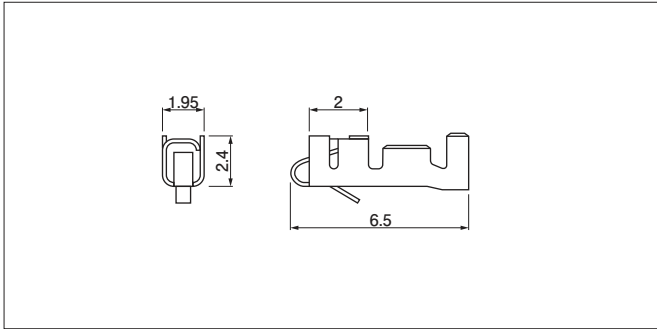
PC board layout and Assembly layout



- Note: 1. The above figure is the figure viewed from the connector mounting side.
 2. Tolerance for the PCB hole pitch shall be ± 0.05 and shall not accumulate.
 3. Hole dimensions differ according to the type of PC board and piercing method.
 If PC boards made of hard material are used, the hole dimensions should be larger.
 The above dimensions are reference values. Please contact JST for details.

XH CONNECTOR (High box type)

Contact



Model No.	Applicable wire range		Insulation O.D. (mm)	Q'ty/ reel
	mm ²	AWG#		
SXH-001T-P0.6	0.08 to 0.33	28 to 22	0.9 to 1.9	8,000
SXH-002T-P0.6	0.05 to 0.13	30 to 26	0.9 to 1.3	

Material and Surface finish, etc.

Phosphor bronze, tin-plated (reflow treatment)

RoHS2 compliance

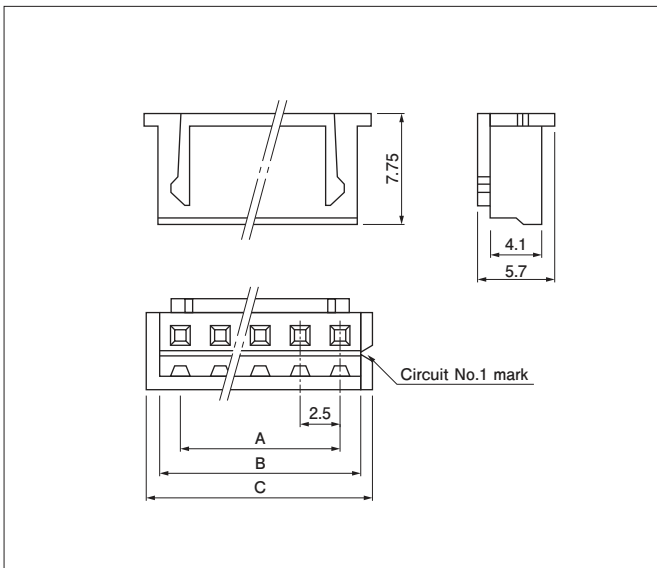
Note: 1. Contact JST if you require gold-plated contacts or contacts made of brass.

2. Contact JST also if you require shielded wires, thin wires or other special wires.

Contact	Crimping machine	Applicator		
		Crimp applicator	Dies	Crimp applicator with dies
SXH-001T-P0.6	AP-K2N	MKS-L	MK/SXH-001-06	APLMK SXH001-06
SXH-002T-P0.6			MK/SXH-002-06	APLMK SXH002-06

Note: Contact JST for fully automatic crimping applicator.

Housing



No. of circuits	Model No.	Dimensions (mm)			Q'ty/ bag
		A	B	C	
2	XHP-2	2.5	5.7	7.3	1,000
3	XHP-3	5.0	8.2	9.8	1,000
4	XHP-4	7.5	10.7	12.3	1,000
5	XHP-5	10.0	13.2	14.8	1,000
6	XHP-6	12.5	15.7	17.3	1,000
7	XHP-7	15.0	18.2	19.8	1,000
8	XHP-8	17.5	20.7	22.3	1,000
9	XHP-9	20.0	23.2	24.8	1,000
10	XHP-10	22.5	25.7	27.3	1,000

Material and Surface finish, etc.

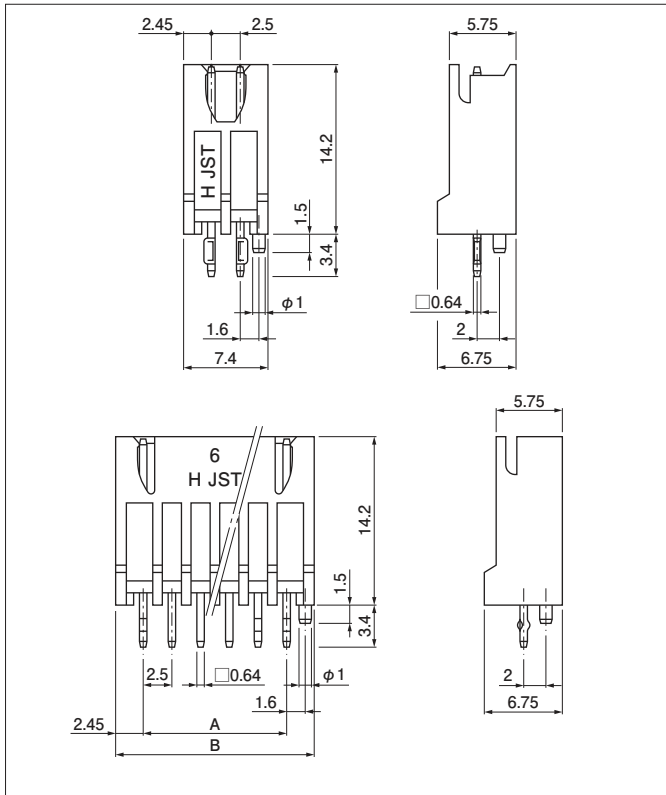
PA 6, natural (white)

RoHS2 compliance

Note: For flame retardant grade of resin material used, please refer to the "List of Registered Overseas Standards" on our website (listed in the "Technical Documents" column on the Product Information page).

XH CONNECTOR (High box type)

Header



No. of circuits	Model No.	Dimensions (mm)		Q'ty/box
		A	B	
2	BH2B-XH-2	2.5	7.4	700
3	BH3B-XH-2	5.0	9.9	500
4	BH4B-XH-2	7.5	12.4	300
5	BH5B-XH-2	10.0	14.9	300
6	BH6B-XH-2	12.5	17.4	250
7	BH7B-XH-2	15.0	19.9	200
8	BH8B-XH-2	17.5	22.4	150
9	BH9B-XH-2	20.0	24.9	150
10	BH10B-XH-2	22.5	27.4	150

Material and Surface finish, etc.

Post: Copper alloy, copper-undercoated, tin-plated (reflow treatment)
Wafer: Glass-filled PA 66, natural (ivory)

RoHS2 compliance This product displays (LF) (SN) on a label.
Note: For flame retardant grade of resin material used, please refer to the "List of Registered Overseas Standards" on our website (listed in the "Technical Documents" column on the Product Information page).

Model number allocation

Contact

S XH - 001 T - P 0.6

Form: S...Strip form, B...Loose piece

Series name

Applicable wire range: Normal type 001...AWG #28 to #22
002...AWG #30 to #26

Surface finish: T...Tin-plated (reflow treatment)

Material: P...Phosphor bronze, Blank...Brass

Terminal size

Type name: Blank...Normal type

Housing

XH P - 2 -

Series name

Part name: Plug

No. of circuits: 2 to 10

Color: Blank...Natural (White), BK...Black, R...Red, E...Blue,
Y...Yellow, M...Green

Header

BH 2 B - XH - 2 -

Shape of assembled product:
BH...Top entry High-box type

No. of circuits: 2 to 10

Part name: Header

Series name

Sub model number

Color: Blank...Natural (Ivory), R...Red, C...Black, E...Blue,
Y...Yellow, M...Green

Note: Depending on the colors, it may take some time for delivery.