

225x225x80mm

AC AXIAL FAN

FDA2-22580 Series



Features:

- Motor: External Rotor Capacitor-Run Induction Motor
- Motor Protection: Thermal Protected
- Bearing Type: Two Ball
- Connection: Terminal Block
- Frame Material: Aluminum Alloy
- Impeller Material: Steel
- **IP56M Certified**
- Operating Temp:
Two Ball: -20°C~70°C
- Life Expectancy:
Two Ball: 50,000 Hours
Two Ball: 100,000 Hours (-L)



IP56M

Fan-S Division

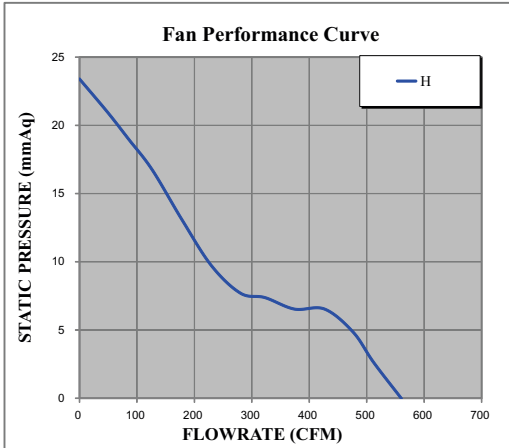


| Model No. | Volt. | Freq. | Current | Power | Rated Speed | Maximum AirFlow | | Maximum Static Pressure | | Noise Level | Weight |
|-------------------|-------|-------|-----------|-----------|-------------|-----------------|---------|-------------------------|-----------|-------------|--------|
| | (VAC) | (Hz) | (A) | (W) | (rpm) | (CMM) | (CFM) | (InAq) | (mmAq) | (dB/A) | (g) |
| FDA2-22580NBHK4D# | 115 | 50/60 | 0.61/0.62 | 53.0/68.0 | 2800/3200 | 16.4/19.0 | 580/670 | 0.925/0.807 | 23.5/20.5 | 68.0/71.0 | 2750 |
| FDA2-22580QBHK4D# | 230 | 50/60 | 0.26/0.31 | 53.0/68.0 | 2800/3200 | 16.4/19.0 | 580/670 | 0.925/0.807 | 23.5/20.5 | 68.0/71.0 | 2750 |

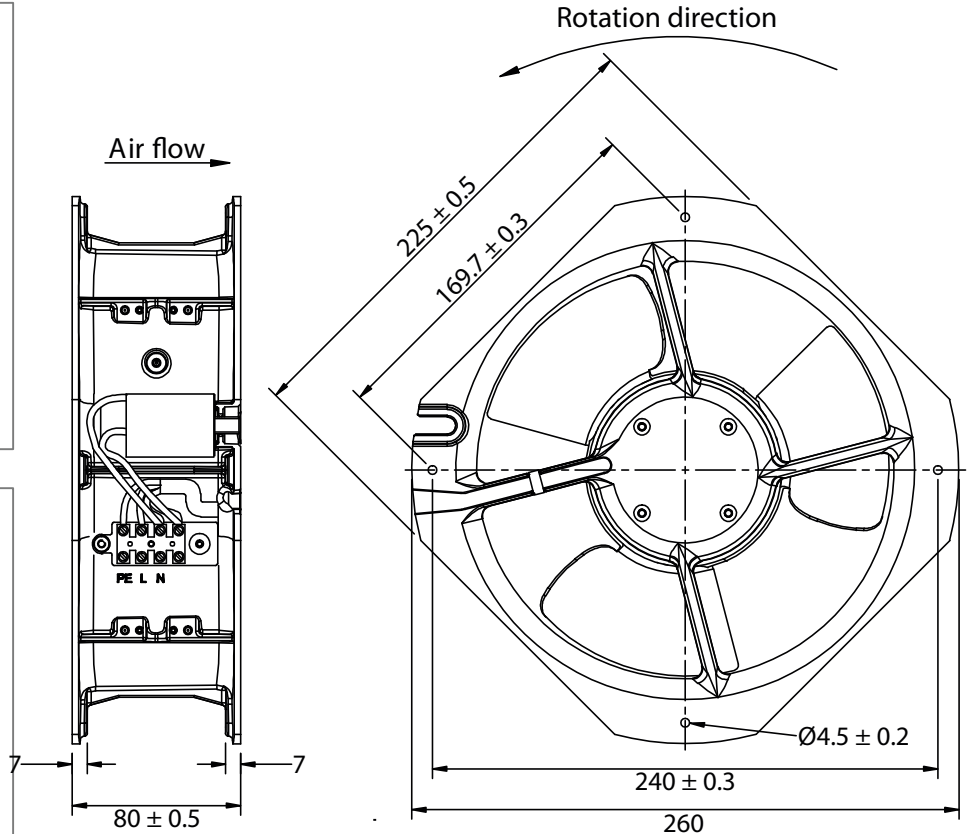
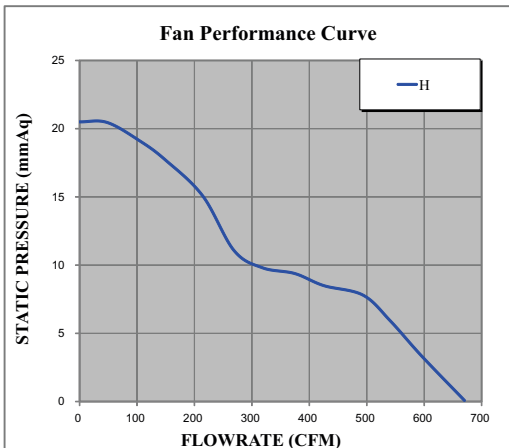
Indicates "L" (100,000 Hours Life Expectancy) or Leave Blank (50,000 Hours Life Expectancy)

Noise is measured at the distance of one (1) meter from the axis of intake.

50Hz



60Hz



ISO-9001 Company

Qualtek
Electronics Corporation

www.Qualtekusa.com