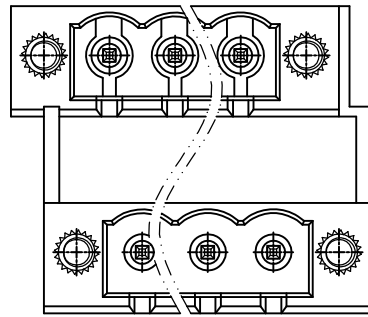
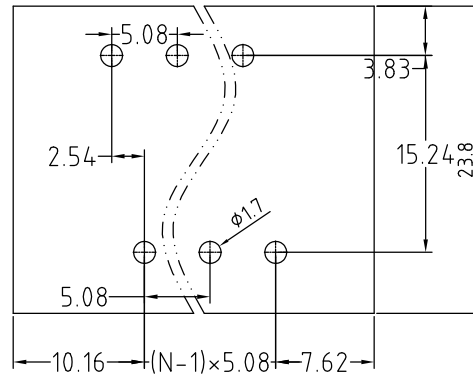


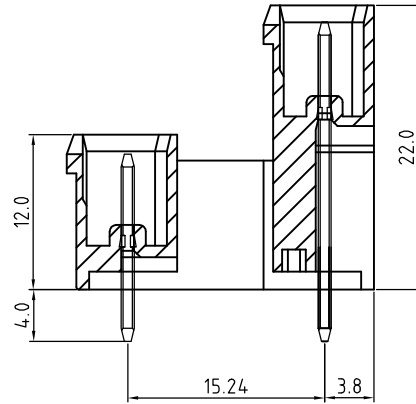
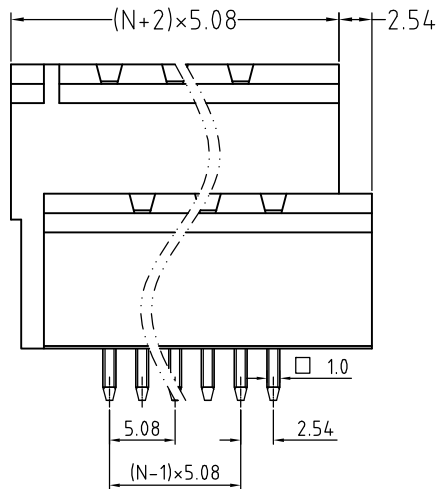
Transfer or duplication of this document as well as the utilisation or communication of its content are not permitted unless express consent is granted. Violations give rise to claims for damages. All rights reserved in case of patent, utility model or design patent registrations.



N=Number of contacts



PCB LAYOUT



Technical Data:

Electrical

Pitch: 5.08mm

Voltage rating: 300V

Current rating: 16 Amps

Withstanding Voltage: 2500VAC(1min)

Mechanical:

Operating temperature: -40°C to +105°C

Soldering temperature

Temperature= 250°C±10°C /5 seconds max

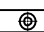
Safety approval: 

RoHS Compliance

Part No.:

OSTVFXX5250

No. of Poles	COLOR
02 2 Poles	0: Black
03 3 Poles	2: Red
...	3: Orange
24 24 Poles	4: Yellow
	5: Green (Standard)
Nonstandard colors Mins could apply	6: Blue
	8: Grey

5	Flange nut	Copper Alloy			2
4	short Pin	Copper Alloy		Tin plated	1xN
3	Long Pin	Copper Alloy		Tin plated	1xN
2	Cover	PA66-30%GF UL94V			1
1	Body	PA66-30%GF UL94V			1
ITEM	NAME OF PART	MATERIAL	NOTES		Q'TY
DWG.	DATE	UNITS:	MM	SHEET:	1 OF 1
CHK.	DATE	SCALE:	NONE 2.5:(:) REV.: A		X. ±0.50
APP.	DATE	TITLE:	OSTVF SERIES 5.08MM WITH FLANGE VERTICAL		X.XX ±0.30
		PART NO.	OSTVFXX5250		X° ±1°
		DWG NO.	OSTVFXX5250.DWG		

REV	△	SIGN	DESCRIPTION	CHK.	DATE



ON-SHORE TECHNOLOGY, INC.