

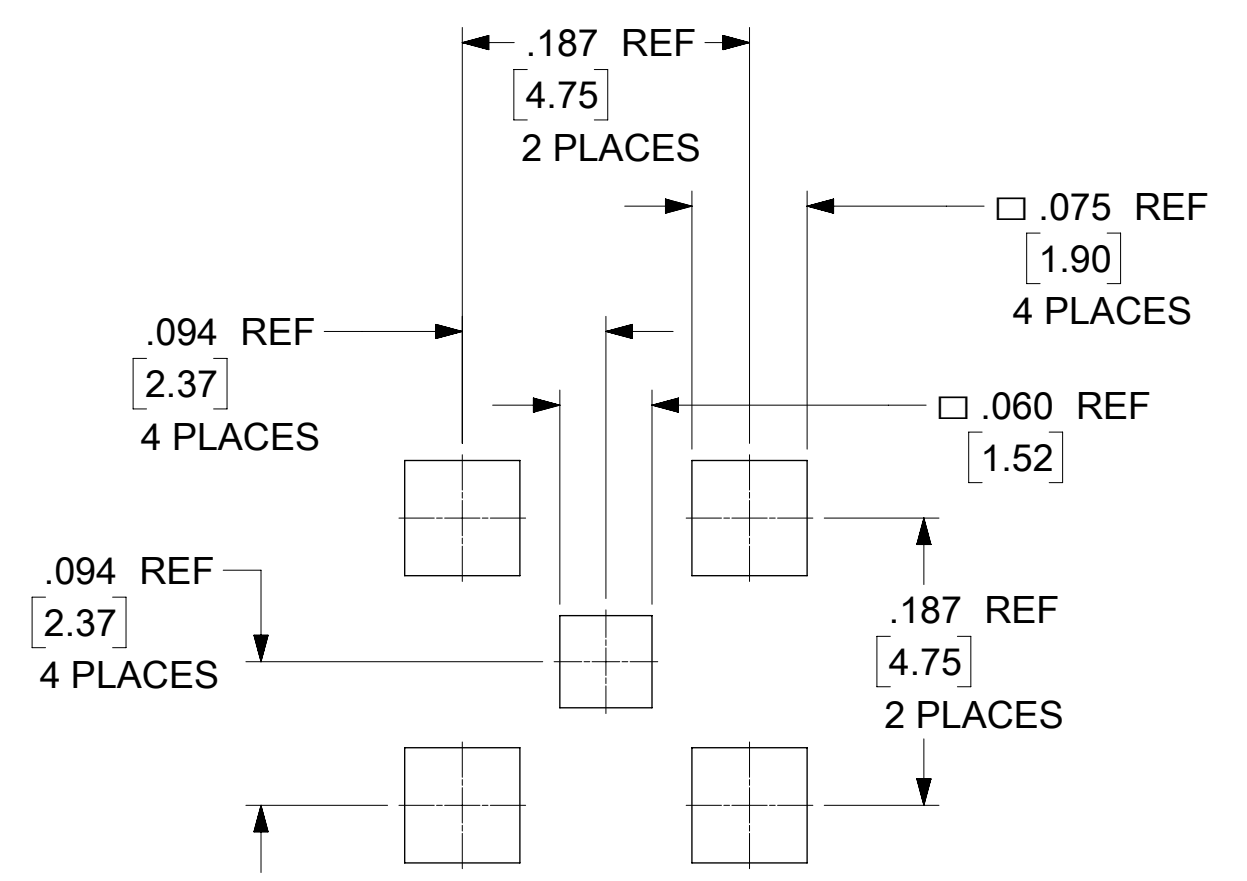
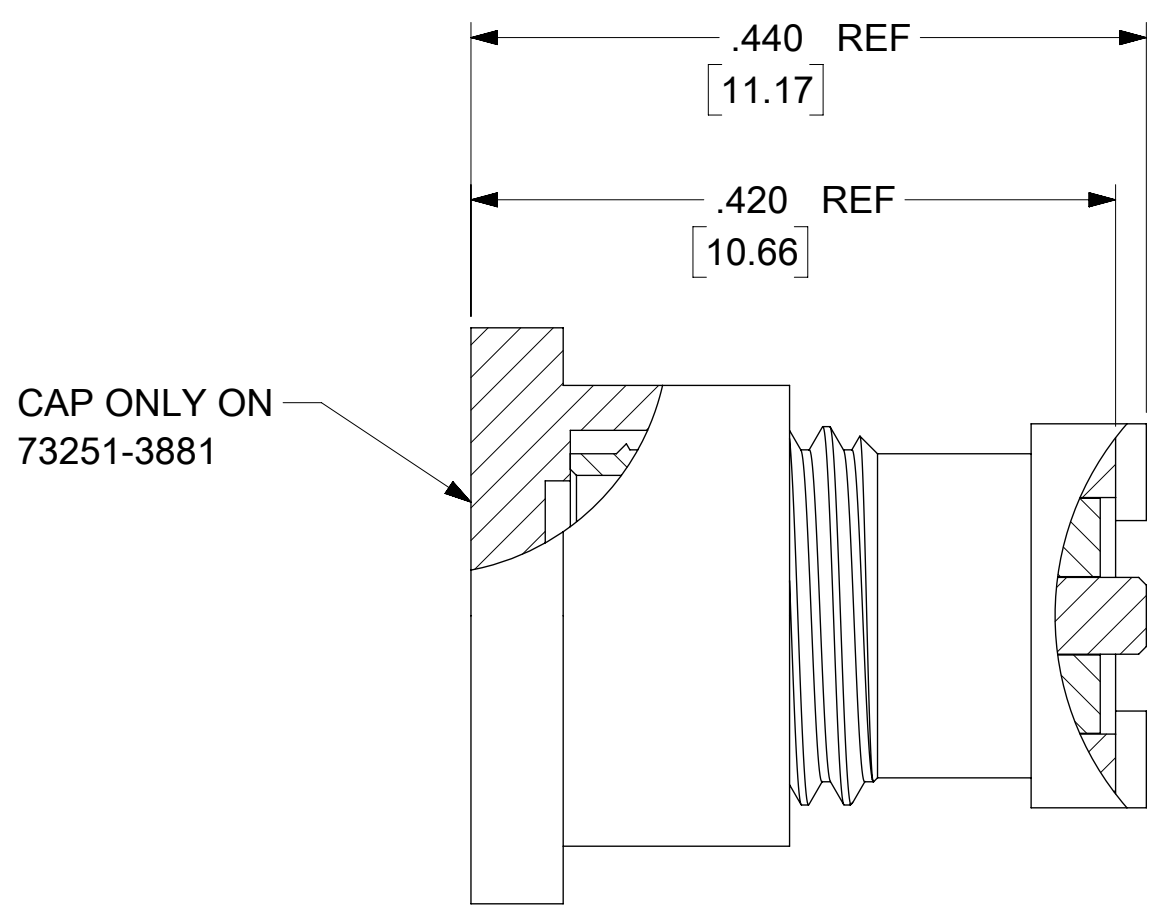
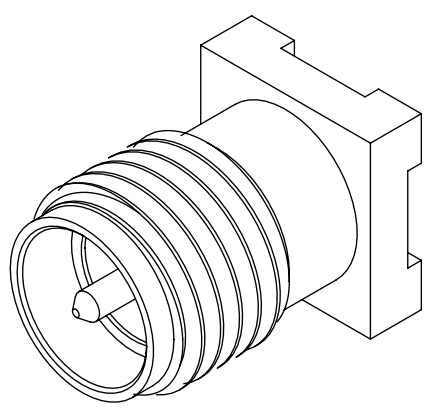
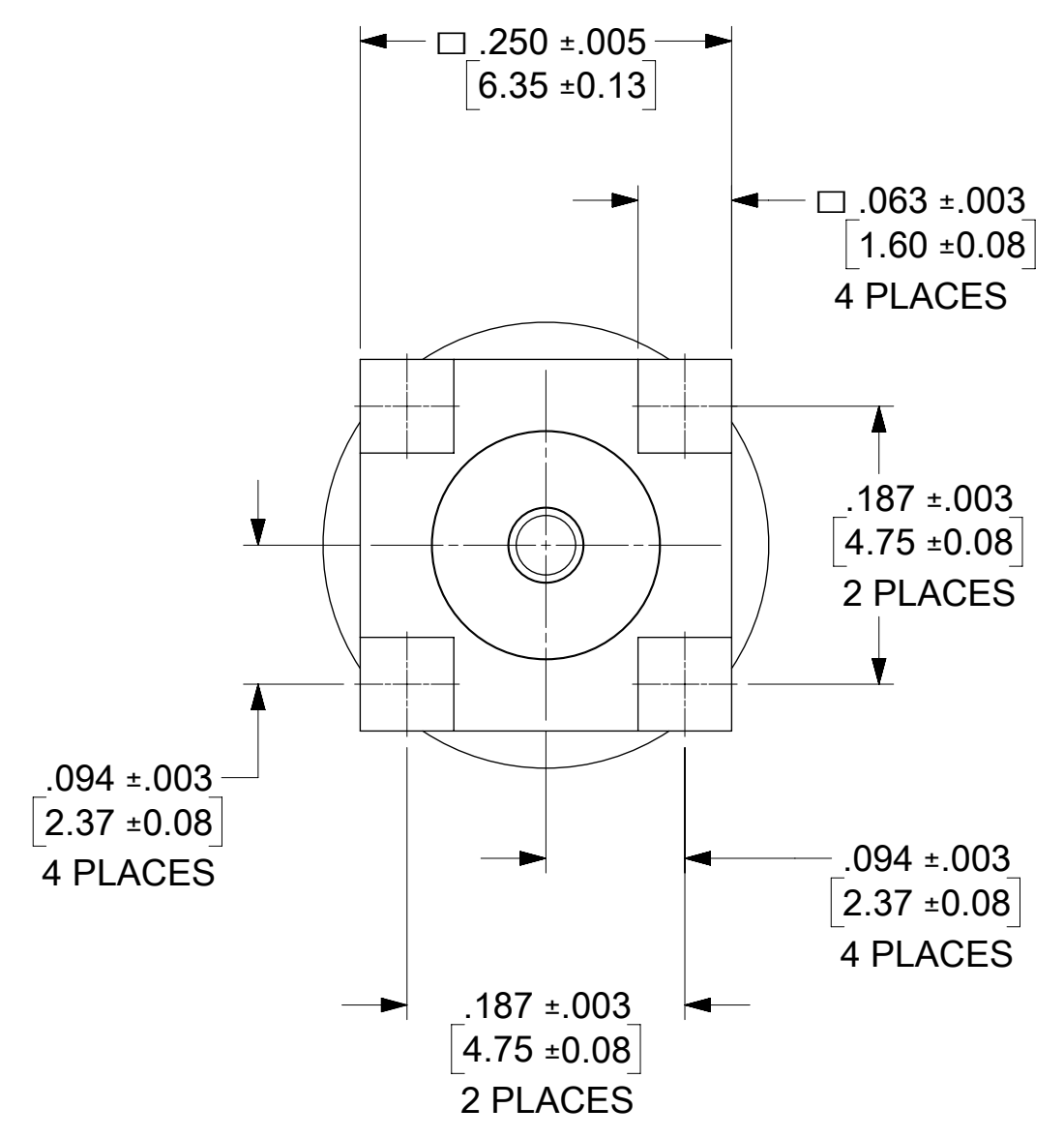
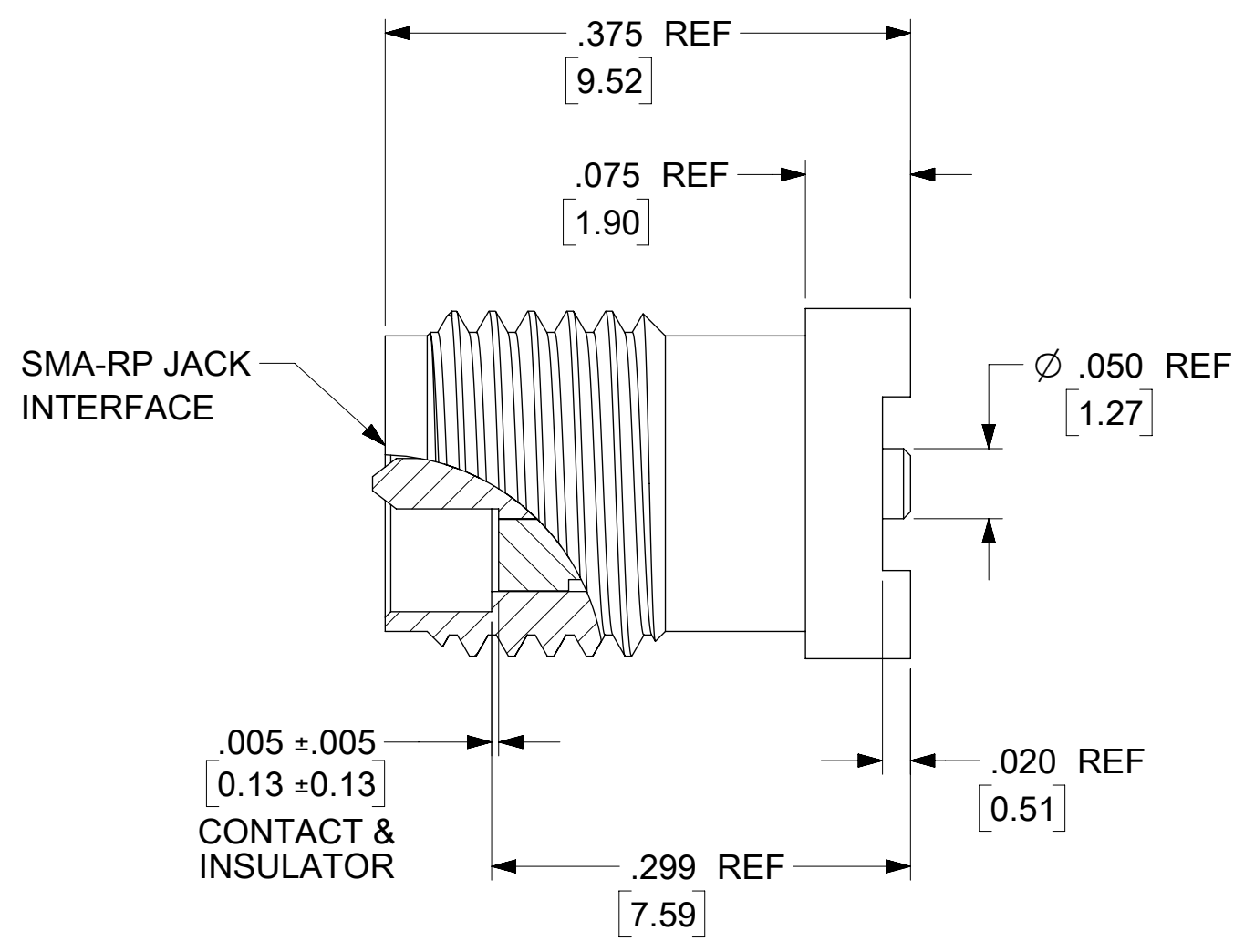
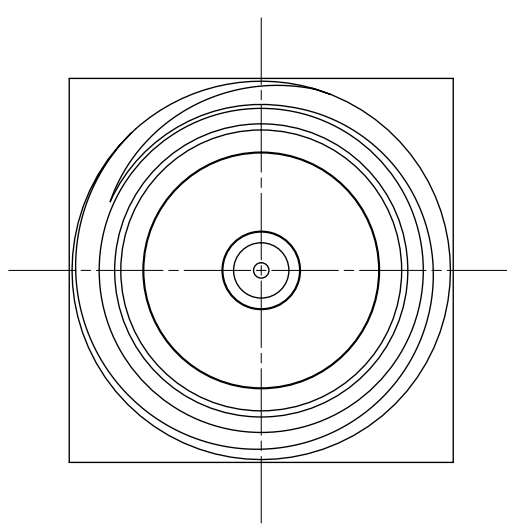
**MATERIALS & FINISHES:**

**BODY: BRASS**  
 PLATED GOLD (5μ-in MIN)  
 OVER NICKEL (50μ-in MIN)

**CONTACT: BRASS**  
 PLATED GOLD (10μ-in MIN)  
 OVER NICKEL (100μ-in MIN)

**INSULATOR: PTFE**

**CAP: PTFE**  
 ONLY ON 73251-3881



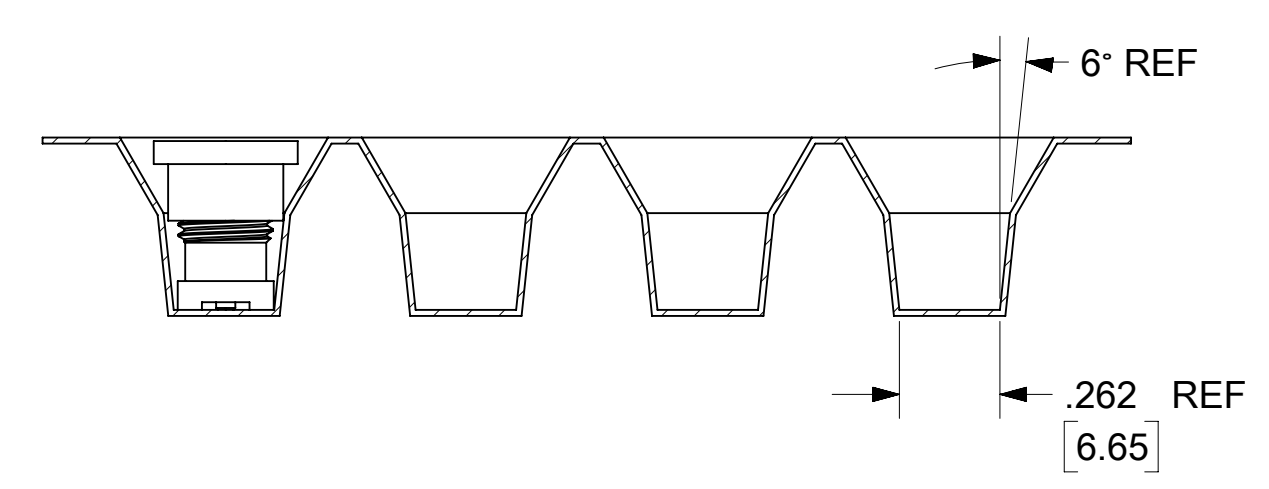
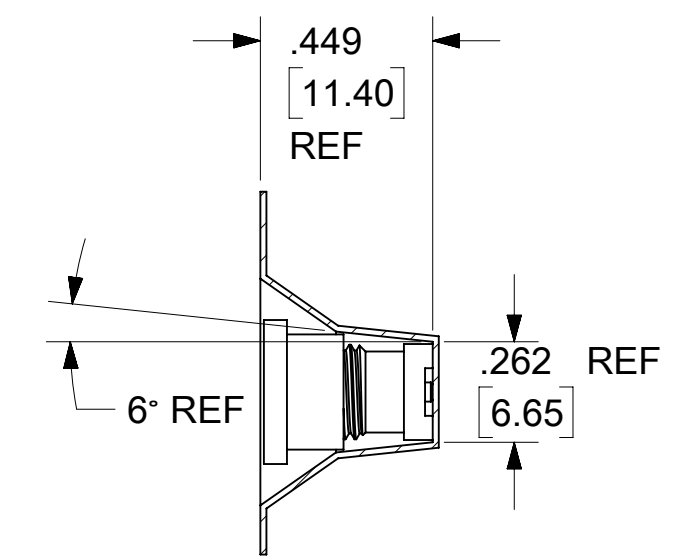
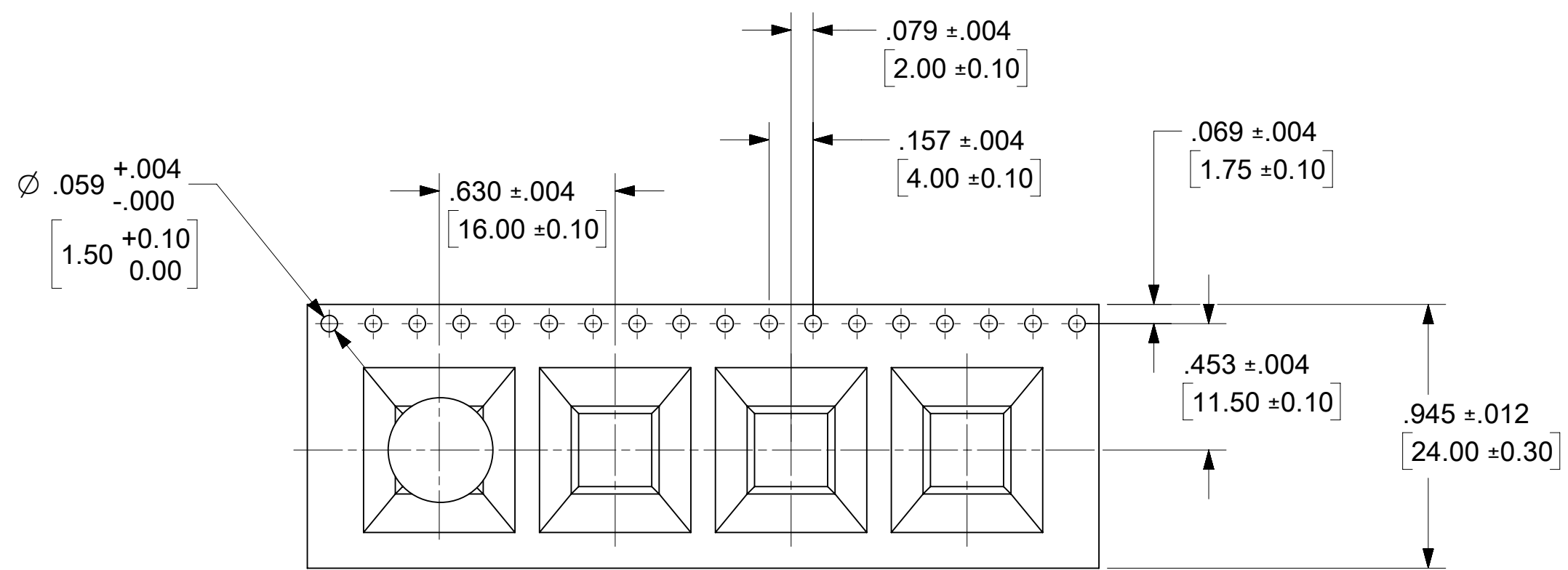
**RECOMMENDED PCB LAYOUT**

73251-3881	INCLUDED	T & R, W/CAP	350 PER REEL SEE SHEET 2/3
73251-3880	NOT INCLUDED	TRAY	PER P/N 89542-0040
PART NO.	CAP	PACKAGING	DESCRIPTION

PS-89675-346	PRODUCT SPECIFICATION
MIL-STD-348-B, FIG. 310.1	INTERFACE
SPECIFICATION	DESCRIPTION

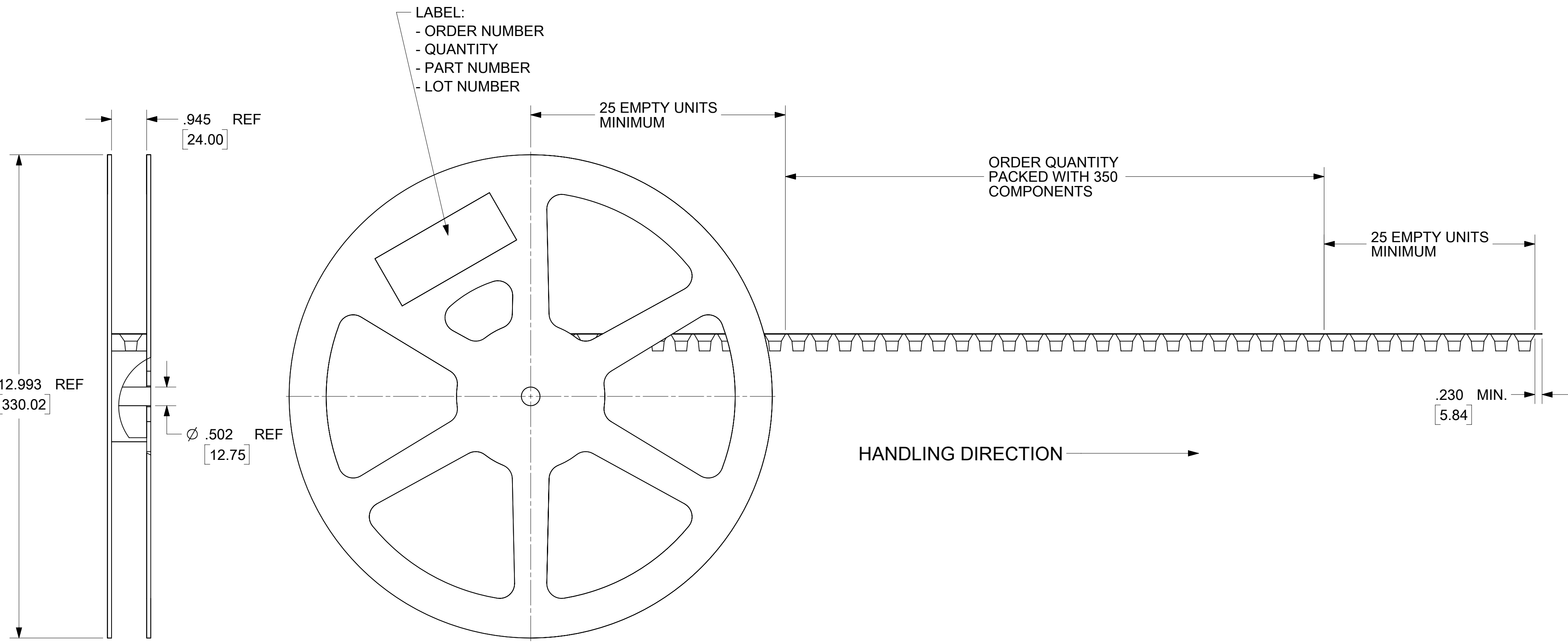
DOCUMENT STATUS	P1	RELEASE DATE	2021/10/13 01:21:52
-----------------	----	--------------	---------------------

FUNCTIONAL SYMBOLS	THIS DRAWING CONTAINS INFORMATION THAT IS PROPRIETARY TO MOLEX ELECTRONIC TECHNOLOGIES, LLC AND SHOULD NOT BE USED WITHOUT WRITTEN PERMISSION		CURRENT REV DESC: ADD TR PKG FOR 73251-3881 PER EWR14565-A							
	FA = 0	INCH NTS								
DIVISIONAL SYMBOLS	GENERAL TOLERANCES (UNLESS SPECIFIED)		EC NO: 679895		SMA-RP JACK VERTICAL SMT PCB MOUNT, SMA-J/PCB, EWR-11153					
	FE = 0	MM INCH	DRWN: CWEI02	2021/06/09						
DIVISIONAL SYMBOLS	FP = 0	4 PLACES ±	±	DRWN: YCHENG	2021/10/13	PRODUCT CUSTOMER DRAWING				
		3 PLACES ±	± 0.005	APPR: YCHENG	2021/10/13					
		2 PLACES ±	± 0.13	± 0.01	INITIAL REVISION:		DOCUMENT NUMBER	DOC TYPE	DOC PART	REVISION
		1 PLACE ±	± 0.25	±	DRWN: AROBERTSON	2009/07/21	SD-73251-388	PSD	001	A6
	0 PLACES ±	±	±	APPR: JWIENER	2009/07/21	SEE TABLE				
	ANGULAR TOL	± 2.0°		THIRD ANGLE PROJECTION	DRAWING	SERIES	MATERIAL NUMBER	CUSTOMER	SHEET NUMBER	
		DRAFT WHERE APPLICABLE MUST REMAIN WITHIN DIMENSIONS			C-SIZE	73251			1 OF 3	



- NOTES:
1. MATERIAL: PS BLACK-THICKNESS: 0.40±0.05 MM
  2. FOR PART NO. 73251-3881 ONLY

FUNCTIONAL SYMBOLS	THIS DRAWING CONTAINS INFORMATION THAT IS PROPRIETARY TO MOLEX ELECTRONIC TECHNOLOGIES, LLC AND SHOULD NOT BE USED WITHOUT WRITTEN PERMISSION			CURRENT REV DESC: ADD TR PKG FOR 73251-3881 PER EWR14565-A	
	DIMENSION UNITS	SCALE			
$F_A = 0$	INCH	NTS		GENERAL TOLERANCES (UNLESS SPECIFIED)	EC NO: 679895 DRWN: CWEI02 2021/06/09 CHK'D: YCHENG 2021/10/13 APPR: YCHENG 2021/10/13
$F_C = 0$					
$F_P = 0$					INITIAL REVISION:
DIVISIONAL SYMBOLS					
			4 PLACES ±	±	APPR: JWIENER 2009/07/21
			3 PLACES ±	± 0.005	DOCUMENT NUMBER
			2 PLACES ±	± 0.01	SD-73251-388
			1 PLACE ±	±	DOC TYPE
			0 PLACES ±	±	PSD
			ANGULAR TOL ±	2.0°	DOC PART
					001
					REVISION
					A6
			THIRD ANGLE PROJECTION	DRAWING	MATERIAL NUMBER
				C-SIZE	SEE TABLE
			SERIES	73251	CUSTOMER
					SHEET NUMBER
					2 OF 3



FOR PART NO. 73251-3881 ONLY

FUNCTIONAL SYMBOLS	THIS DRAWING CONTAINS INFORMATION THAT IS PROPRIETARY TO MOLEX ELECTRONIC TECHNOLOGIES, LLC AND SHOULD NOT BE USED WITHOUT WRITTEN PERMISSION				
	DIMENSION UNITS	SCALE		CURRENT REV DESC: ADD TR PKG FOR 73251-3881 PER EWR14565-A	
$\frac{F}{A} = 0$	INCH	NTS		<p><b>molex</b></p> <p>SMA-RP JACK          VERTICAL SMT PCB MOUNT, SMA-J/PCB, EWR-11153</p> <p>PRODUCT CUSTOMER DRAWING</p>	
$\frac{F}{C} = 0$	GENERAL TOLERANCES (UNLESS SPECIFIED)				
$\frac{F}{P} = 0$		MM	INCH		
DIVISIONAL SYMBOLS	4 PLACES	±	±		
	3 PLACES	±	± 0.005		
	2 PLACES	± 0.13	± 0.01	EC NO: 679895 DRWN: CWEI02 2021/06/09 CHK'D: YCHENG 2021/10/13 APPR: YCHENG 2021/10/13	
	1 PLACE	± 0.25	±	INITIAL REVISION:	
	0 PLACES	±	±	DRWN: AROBERTSON 2009/07/21	
	ANGULAR TOL	± 2.0°		APPR: JWIENER 2009/07/21	
	DRAFT WHERE APPLICABLE MUST REMAIN WITHIN DIMENSIONS	THIRD ANGLE PROJECTION		DRAWING C-SIZE	SERIES 73251
DOCUMENT STATUS	P1	RELEASE DATE	2021/10/13 01:21:52	DOCUMENT NUMBER	DOC TYPE
				SD-73251-388	PSD
				DOC PART	REVISION
				001	A6
				CUSTOMER	SHEET NUMBER
				SEE TABLE	3 OF 3