

4

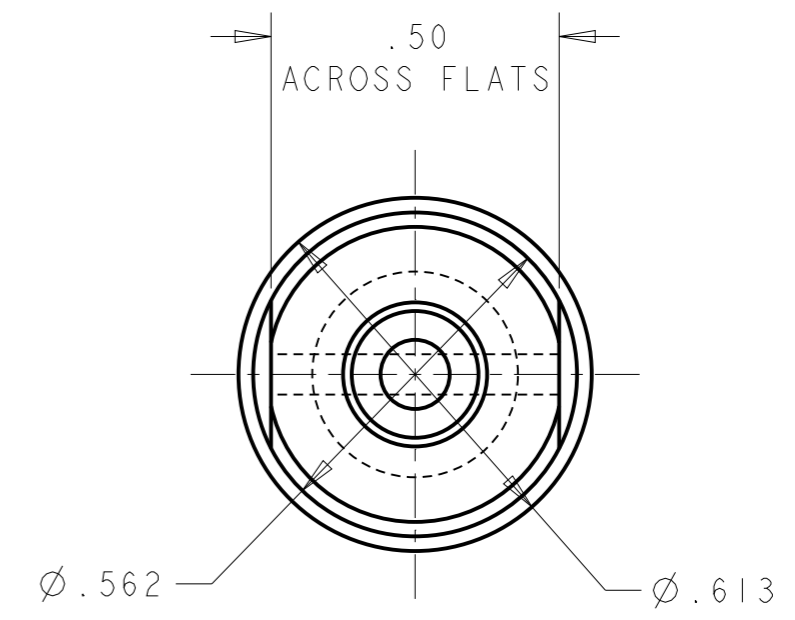
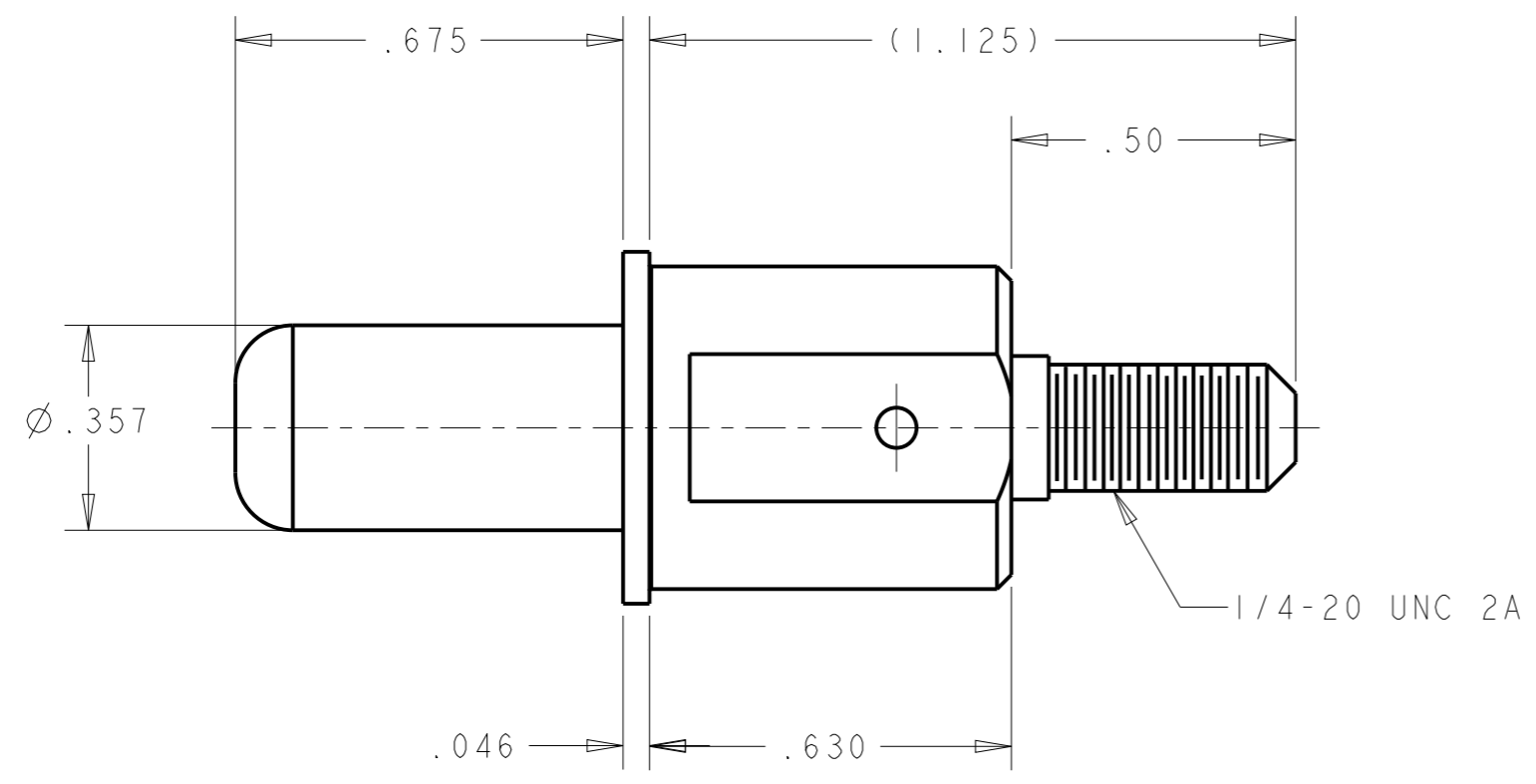
3

2

1

THIS DRAWING IS UNPUBLISHED. RELEASED FOR PUBLICATION 20
 © COPYRIGHT 20 BY TYCO ELECTRONICS CORPORATION. ALL RIGHTS RESERVED.

LOC	DIST	REVISIONS					
GP	00	P	LTR	DESCRIPTION	DATE	DWN	APVD
			B	REV PER ECO-07-025570	01NOV2007	RG	DO
			C	REVISED PER ECO-14-018208	03DEC2014	LAW	DO



1. PART NUMBER CHANGES AND OR DESIGN CHANGES AFFECTING ITEM INTERCHANGEABILITY REQUIRE PRIOR TYCO ELECTRONICS APPROVAL AND AUTHORIZATION BY REVISION TO THIS PRODUCT.

2 MATERIAL: COPPER ALLOY

3 FINISH: SILVER PLATE .000200 MIN THK. OVER NICKEL .000050 MIN THK.

AS SHOWN	1766268-1
DESCRIPTION	PART NO.

<small>THIS DRAWING IS A CONTROLLED DOCUMENT FOR TYCO ELECTRONICS CORPORATION. IT IS SUBJECT TO CHANGE AND THE CONTROLLING ENGINEERING ORGANIZATION SHOULD BE CONTACTED FOR THE LATEST REVISION.</small>		DWN 01NOV2007 R. GRZYBOWSKI		Tyco Electronics Harrisburg, PA 17105-3608	
DIMENSIONS: INCHES 		TOLERANCES UNLESS OTHERWISE SPECIFIED: 0 PLC ±. 1 PLC ±. 2 PLC ±.02 3 PLC ±.010 4 PLC ±. ANGLES ±.5		CHK 01NOV2007 D. ORRIS APVD 01NOV2007 S. FLICKINGER	
MATERIAL 2		FINISH 3		NAME CONTACT, PIN, SIZE No.0 1/4-20 EXT. THD, SINGLE CROWN DRAWERS	
PRODUCT SPEC -		APPLICATION SPEC -		SIZE A3 CAGE CODE 00779 DRAWING NO. C-1766268 RESTRICTED TO -	
WEIGHT -		CUSTOMER DRAWING		SCALE 3:1 SHEET 1 OF 1 REV C	