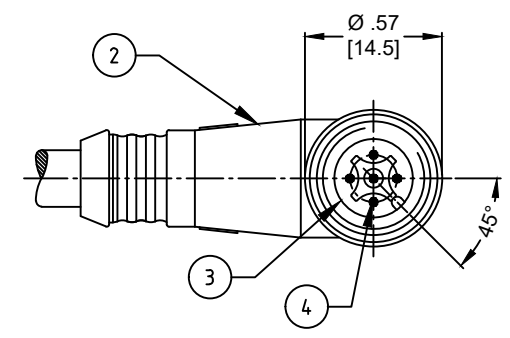
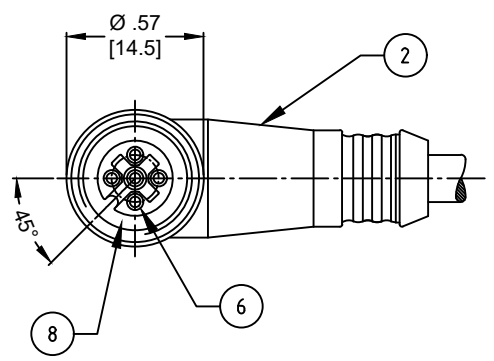
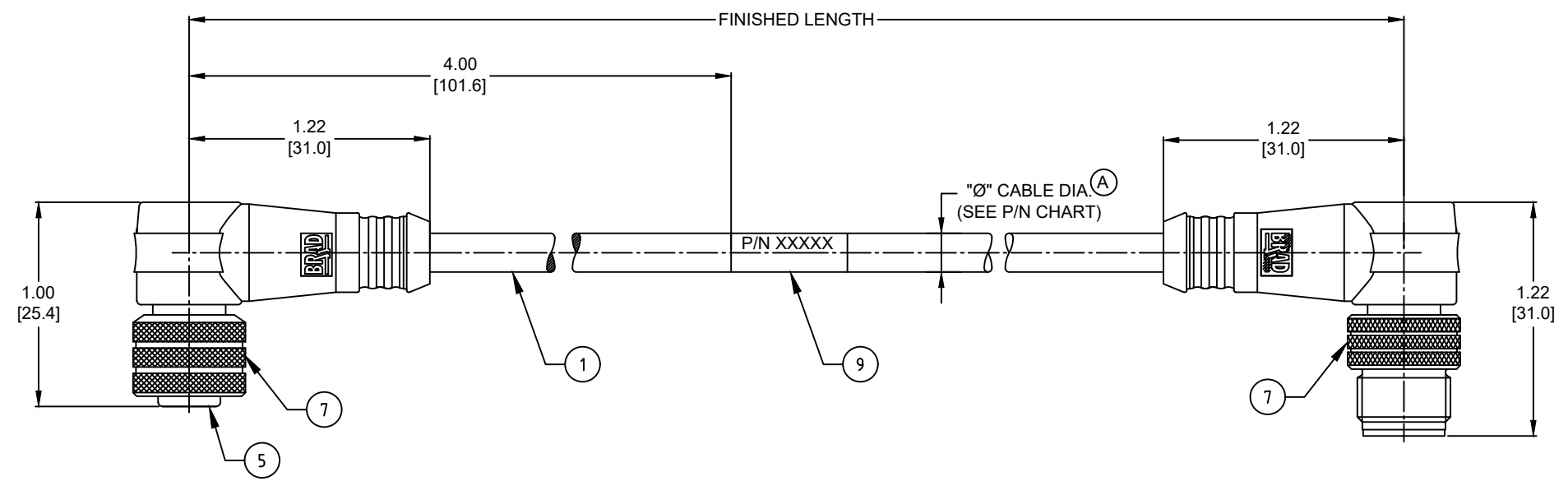
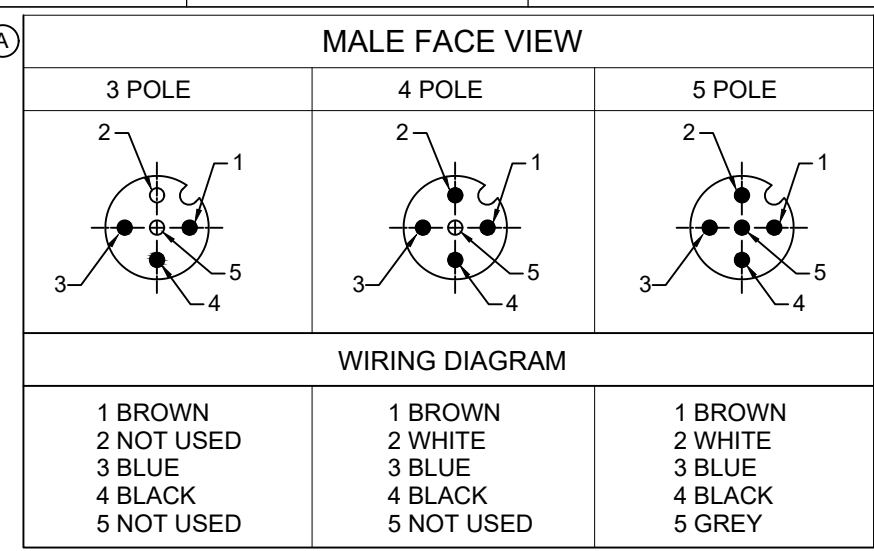


PART NO	ENGINEERING NO.	FINISHED LENGTH	POLES	CABLE DIA.
1200661199	883033A09M010	1M [3FT 3 IN]	3	.20/5.1
1200661336	884033A09M010	1M [3FT 3 IN]	4	.21/5.3
1200661634	885033A09M010	1M [3FT 3 IN]	5	.21/5.3



- NOTES:**
1. MATERIAL: AS NOTED
 2. FINISH: AS NOTED
 3. ELECTRICAL:
VOLTAGE: 250V
CURRENT: 4A
 4. TEMP RATING: -20°TO +105°C
 5. PROTECTION: IP67 (WHEN MATED)
 6. COUPLING THREAD: M12X1
 7. UL RECOGNIZED FILE: E152210
CSA CERTIFIED FILE: LR6837 (A)
 8. ALL DIMENSIONS ARE FOR REFERENCE
UNLESS TOLERANCED OR NOTED OTHERWISE

PART NO. MATRIX
885033A09M100

POLES (3, 4 & 5) FINISHED LENGTH
M005 = 0.5 METER
M010 = 1 METER
M100 = 10 METER

PRE-RELEASE
REFERENCE
USE ONLY

CABLE LENGTH TOLERANCES

<.3M [1FT]: +19mm-0 [+1.75in-0]
.3 - .9M [1 - 3FT]: +44.5mm-0 [+1.75in-0]
.9 - 1.8M [3 - 6FT]: +55.6mm-0 [+2.19in-0]
1.8 - 3.7M [6 - 12FT]: +88.9mm-0 [+3.50in-0]
3.7 - 7.3M [12 - 24FT]: +165.1mm-0 [+6.50in-0]
7.3-14.6M [24 - 48FT]: +317.5mm-0 [+12.50in-0]
14.6 - 30.5M [48-100FT]: +622.3mm-0 [+24.50in-0]
OVER 30M [100FT] +2% OF FINISHED LENGTH

9	LABEL	VINYL	BLACK/YELLOW
8	O-RING	VITON	RED
7	COUPLER	BRASS	NICKEL PLATED
6	CONTACT SOCKET	COPPER ALLOY	GOLD OVER NICKEL
5	INSERT (FEMALE)	TPU	BLACK
4	CONTACT PIN	COPPER ALLOY	GOLD OVER NICKEL
3	INSERT (MALE)	PUR	BLACK
2	OVERMOLD	PUR	YELLOW
1	CABLE 22/3-5 AWG	PVC JACKET	YELLOW
ITEM	DESCRIPTION	MATERIAL	FINISH

THIS DRAWING CONTAINS INFORMATION THAT IS PROPRIETARY TO MOLEX ELECTRONIC TECHNOLOGIES, LLC AND SHOULD NOT BE USED WITHOUT WRITTEN PERMISSION

FUNCTIONAL SYMBOLS FA=0 FB=0 FC=0	DIMENSION UNITS INCH/MM	SCALE NTS	CURRENT REV DESC: ITEM# 3 & 5 WERE NYLON. ADDED CABLE DIA & TOL CHART. MODIFIED INSERTS FACE VIEWS & MATERIAL CHART
DIVISIONAL SYMBOLS	GENERAL TOLERANCES (UNLESS SPECIFIED)		EC NO: 666551
	mm	INCH	DRWN: ABENJAMINLW 2021/03/01
	4 PLACES ±----	±----	CHK'D: RSTONE 2021/06/10
	3 PLACES ±----	±----	APPR: ----
	2 PLACES ±----	±----	INITIAL REVISION:
	1 PLACE ±----	±----	DRWN: LSTEMMLE 2010/02/03
	0 PLACES ±----	±----	APPR: FPACHER 2010/02/04
	ANGULAR TOL ± --- °		
DRAFT WHERE APPLICABLE MUST REMAIN WITHIN DIMENSIONS	THIRD ANGLE PROJECTION	DRAWING	SERIES
		A3-SIZE	120066
		MATERIAL NUMBER	CUSTOMER
		SEE CHART	GENERAL MARKET
		DOCUMENT NUMBER	DOC TYPE/DOC PART/REVISION
		SD-120066-028	PSD 001 A
		SHEET NUMBER	1 OF 1