



LAYOUT SHOWN AS EXAMPLE

Keying Shown as example

CHARACTERISTICS

- Standard : Based on MIL-DTL-38999 Series III
- Shell Material : Stainless Steel
- Shell Plating : Passivated
- Insulator : Thermoplastic
- Contacts : Copper Alloy
- Seals & Grommet : Silicon Elastomer
- Contact Plating : Gold over copper Alloy 0.8µm minimum
- Durability : 500 Mating cycles
- Delivered with Souriau contacts and Accessories
- Temperature Range : -65°C to +200°C
- Salt Spray : 500 hours
- Mass : 46.7 g ± 10%

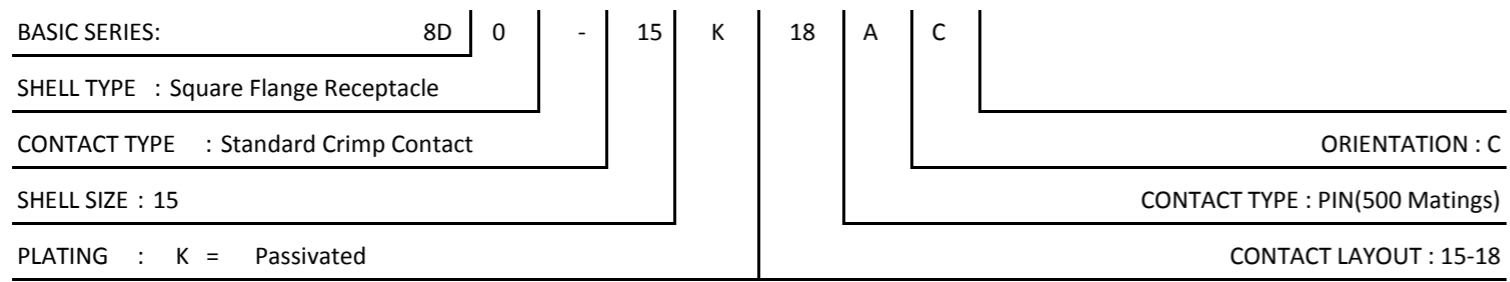
| Connector dimension | |
|---------------------|---------------|
| Dim | Nominal |
| P | 3.25±0.2 |
| PP | 4.39±0.2 |
| R1 | 24.61 |
| R2 | 23.01 |
| S | 31±0.3 |
| V | 20.83+0/-1.25 |
| W | 2.1/2.5 |
| Z | 31.5 Max |
| VV THREAD | M22x1-6g |

SOURIAU shall not be liable for any non-conformity or damage due to a use of the Products which does not comply with the Specifications issued by either of the Parties or by a third party (professional recommendation, technical notice.)

| Country | Jurisdiction & Control List |
|---------|-----------------------------|
| FR | Not Listed |

PN: 8D015K18AC

| | | | |
|----------------|---|--------------------------------|---|
| A | 12-10-2016 | First Release | |
| ISS | DATE | Latest modification - by | MOD N° |
| Designed By: | | Date: | CUSTOMER DRAWING |
| TITLE | Stainless Steel Receptacle 8D series | | |
| SCALE | NA | General linear Tolerances: ±-- | NPRDS / PROJECT 859 |
| SOURIAU | WWW.SOURIAU.COM | | This document is the property of SOURIAU it must not be reproduced or communicated without permission |
| FORMAT | A3 | | SOURIAU DRG N° 8D015K18AC-C |
| | | | SHEET 1/2 |



4
3
2
1

4
3
2
1

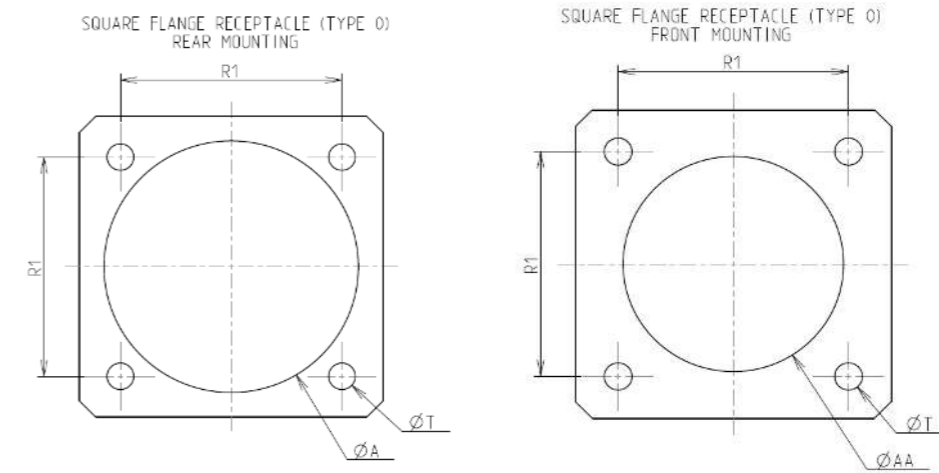
Contact Layout



| Contacts (Insert arrangement 15-18) | | | | | |
|--|-------------|-------------|---------------------|-------------|-------------|
| Contact position ID | Location | | Contact position ID | Location | |
| | X-axis (mm) | Y-axis (mm) | | X-axis (mm) | Y-axis (mm) |
| A | +065 (1.65) | +252 (6.40) | K | -195 (4.95) | +113 (2.87) |
| B | +195 (4.95) | +113 (2.87) | L | -065 (1.65) | +252 (6.40) |
| C | +260 (6.60) | +000 (0.00) | M | -065 (1.65) | +113 (2.87) |
| D | +195 (4.95) | -113 (2.87) | N | +065 (1.65) | +113 (2.87) |
| E | +130 (3.30) | -225 (5.72) | P | +130 (3.30) | +000 (0.00) |
| F | +000 (0.00) | -225 (5.72) | R | +065 (1.65) | -113 (2.87) |
| G | -130 (3.30) | -225 (5.72) | S | -065 (1.65) | -113 (2.87) |
| H | -195 (4.95) | -113 (2.87) | T | -130 (3.30) | +000 (0.00) |
| J | -260 (6.60) | +000 (0.00) | U | +000 (0.00) | +000 (0.00) |

| Shell size | Arrangement no. | Number of contacts | Size contacts | Service rating | Contact location | Supersedes |
|------------|-----------------|--------------------|---------------|----------------|------------------|------------|
| 15 | -18 | 18 | 20 | I | All | MS20052-18 |

Panel Cutout



| Dim | Nominal |
|-----|------------|
| ØA | 26.59 min |
| ØAA | 23.01 min |
| R1 | 24.61 |
| ØT | 3.25 ±0.13 |

SOURIAU shall not be liable for any non-conformity or damage due to a use of the Products which does not comply with the Specifications issued by either of the Parties or by a third party (professional recommendation, technical notice.)

| Country | Jurisdiction & Control List |
|---------|-----------------------------|
| FR | Not Listed |

PN: 8D015K18AC

| | | | |
|----------------|---|----------------------------|---|
| A | 12-10-2016 | First Release | |
| ISS | DATE | Latest modification - by | MOD N° |
| Designed By: | | Date: | CUSTOMER DRAWING |
| TITLE | Stainless Steel Receptacle 8D series | | |
| SCALE | | General linear Tolerances: | NPRDS / PROJECT |
| NA | | ±-- | 859 |
| SOURIAU | WWW.SOURIAU.COM | | This document is the property of SOURIAU it must not be reproduced or communicated without permission |
| FORMAT | SOURIAU DRG N° 8D015K18AC-C | | SHEET 2/2 |