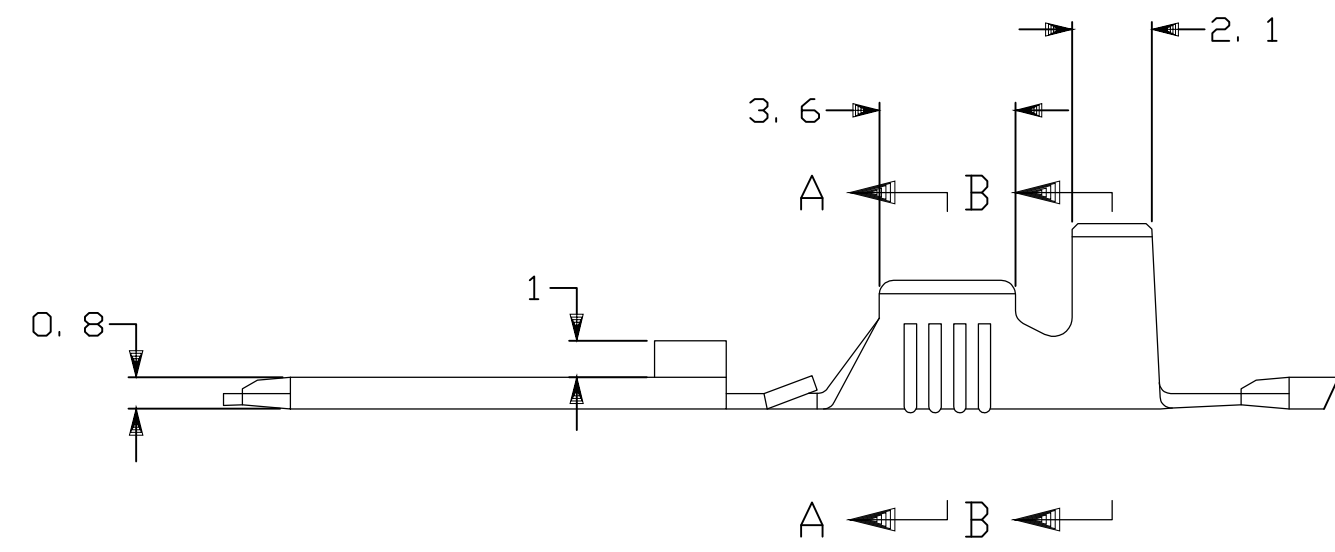
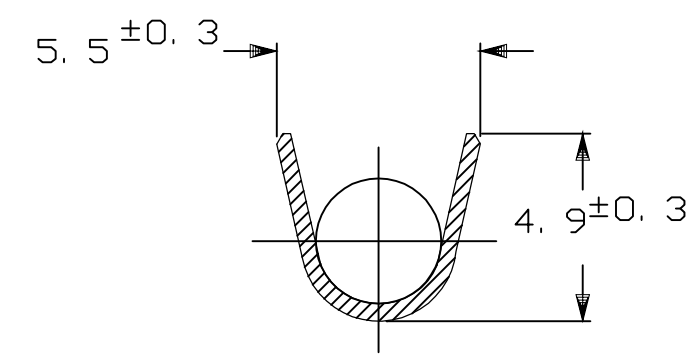
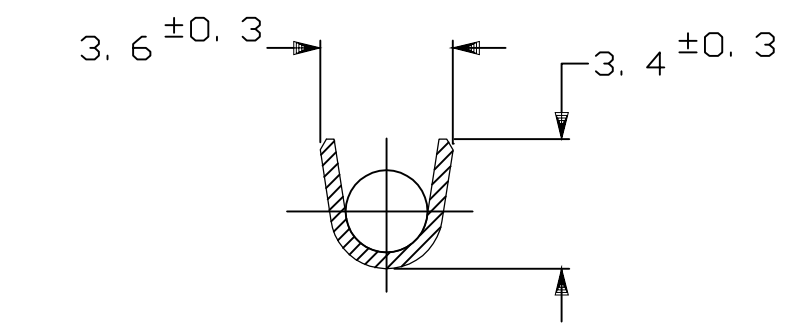
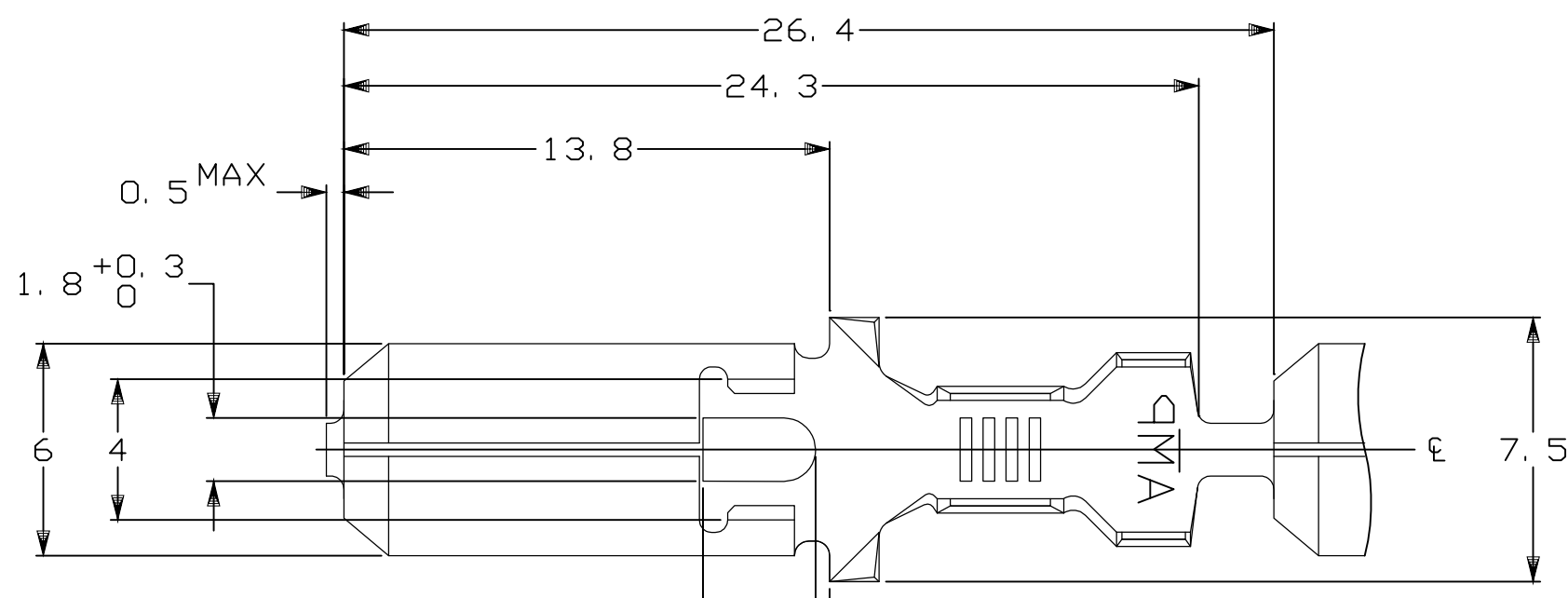


THIS DRAWING IS UNPUBLISHED. RELEASED FOR PUBLICATION  
 © COPYRIGHT - By - ALL RIGHTS RESERVED.

| LOC | DIST | REVISIONS |     |                           |           |     |      |
|-----|------|-----------|-----|---------------------------|-----------|-----|------|
|     |      | P         | LTR | DESCRIPTION               | DATE      | DWN | APVD |
| J   | -    |           | C4  | REVISED                   | 02DEC2013 | K.S | D.Z  |
|     |      |           | C5  | REVISED PER ECR-15-013317 | 21SEP2015 | L.P | T.D  |



- △ REVERSE REEL OF 170340-3
- △ 170340-3、逆巻リール
- △ SEPARATE PAPER TYPE

|   |        |                     |                    |             |
|---|--------|---------------------|--------------------|-------------|
| △ | —      | PRE-TIN BRASS t0.41 | 179462-3           | 2-170340-3  |
| △ | —      | PRE-TIN BRASS t0.41 | —                  | 1-170340-3  |
|   | —      | PRE-TIN BRASS t0.41 | 179462-3           | 170340-3    |
|   | —      | BRASS t0.41         | —                  | 170340-1    |
|   | FINISH | MATERIAL            | LOOSE PIECE NUMBER | PART NUMBER |

THIS DRAWING IS A CONTROLLED DOCUMENT.

|                            |  |
|----------------------------|--|
| DIMENSIONS:<br>単位: 耗<br>mm | TOLERANCES UNLESS OTHERWISE SPECIFIED:<br>一般公差 |
|                            | 0 PLC ± -                                      |
|                            | 1 PLC 10 ± - ±0.2                              |
|                            | 2 PLC 30 ± - ±0.25                             |
|                            | 3 PLC ANGLE: ±3°                               |
|                            | 4 PLC ± -                                      |
|                            | ANGLES ± -                                     |
| MATERIAL<br>材料             | FINISH<br>仕上                                   |
| SEE TABLE                  | SEE TABLE                                      |

|                  |             |         |  |                            |                        |               |   |
|------------------|-------------|---------|--|----------------------------|------------------------|---------------|---|
| DWN              | A.YAMAGUCHI | 19AUG98 | WIRE RANGE<br>総合電線断面積  | <0.5~2.27mm SQ><br>#20~#14 | INSULATION DIA<br>被覆外径 | 2.1~3.4 DIA   |   |
| CHK              | K.BETSUI    | 26AUG98 | TE Connectivity<br>250 SERIES TAB WITHOUT LATCH<br>250シリーズ ラッチ無しタブ |                            |                        |               |   |
| APVD             | K.BETSUI    | 26AUG98 |  |                            |                        |               |   |
| PRODUCT SPEC     | 108-5147    |         | SIZE   | A3                         | CAGE CODE              | 00779         |   |
| APPLICATION SPEC | 114-5052    |         | DRAWING NO   | C=170340                   |                        | RESTRICTED TO | — |
| 取付適用規格           |             |         | WEIGHT   | 0.76g                      | SCALE                  | 5:1           |   |
| CUSTOMER DRAWING |             |         | SHEET  | 1 OF 1                     | REV                    | C5            |   |