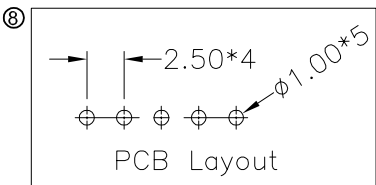
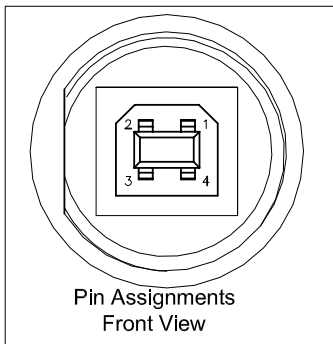
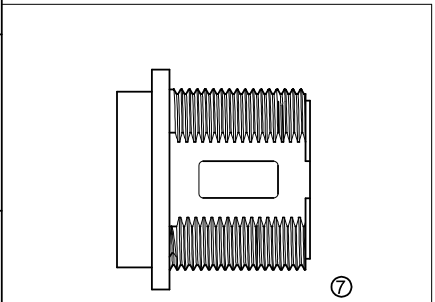
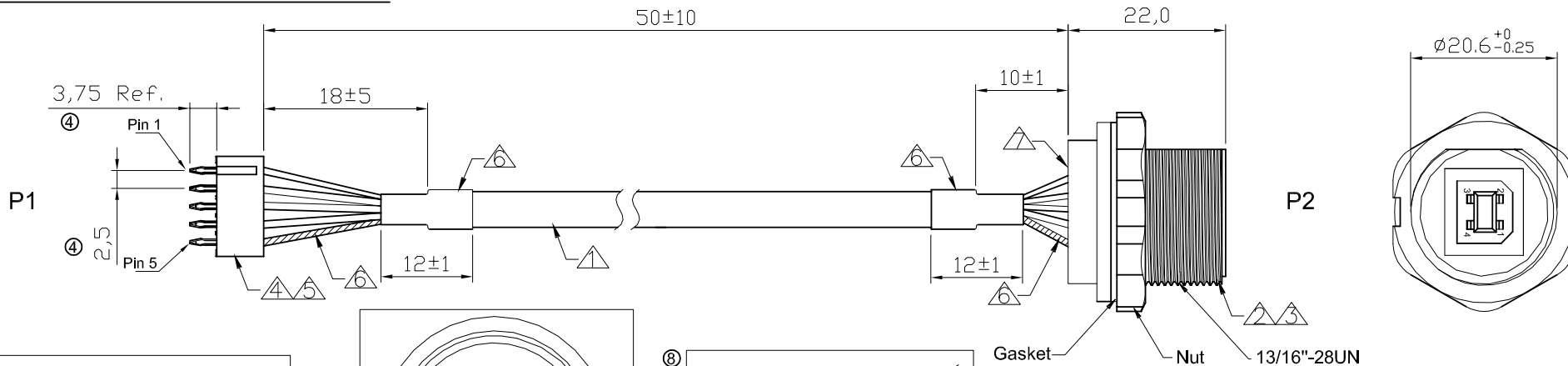


# USB 2.0 COMPLIANT



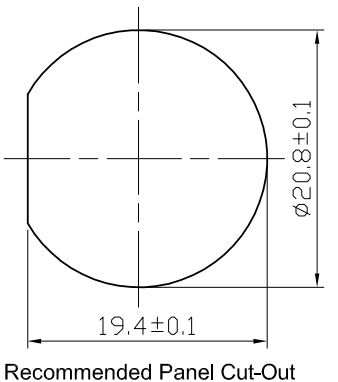
- ⑦ TESTING CONDITIONS:
1. VOLTAGE: 300V DC/0.01S.
  2. INSULATION RESISTANCE: 10 Mohms min.
  3. CONDUCTIVE RESISTANCE: 5 Ohms max.
  4. 100% OPEN AND SHORT ELECTRICAL TEST.

Waterproof rating: IP67

④	Black glue A/B (ethoxyline resin)	3	g
⑥	BLACK HEAT SHRINKABLE CASING	4	PCS
⑤	TERMINAL: PHOSPHOR BRONZE. TIN-PLATED JWT:B2512TOP-2	5	PCS
④	HOUSING: PH2.5MM 5PIN JWT:B2512H00-05P	1	PCS
③	ABS 94V-0. BLACK 13/16"-28UN SHELLED	1	SET
②	USB B/M CONNECTOR SOLDER	1	PCS
⑧	① USB 2.0 28AWG*1P+24AWG*2C+AL.MY+D+B UL2725 JACKET BLACK PVC OD=5.0±0.2mm (UV RESISTANT)	1	PCS
⑦	ITEM SPECIFICATION	Q'TY	UNIT

WIRE LIST

P1	PAIR	COLOR	P2
1	—	RED (24AWG)	1
2	—	WHITE (28AWG)	2
3	XX	GREEN (28AWG)	3
4	—	BLACK (24AWG)	4
5	—	DRAIN	SHELL



RoHS compliant  
Unit: mm

Scale	Free	⑧	18.07.2018	Xavier		Date	Name	Customer-No.
TOLERANCE	±0.5	⑦	03.04.2018	Tom	Drawn	20.08.2004	Hellwig	ASSMANN WSW-No. <b>A-USB-BPFS</b>
		⑥	27.08.2012	Ray	Approved	18.07.2018	Winnie	
		⑤	16.07.2012	Lucas				
		④	11.07.2012	Lucas				
		③	07.07.2009	Dean				
		Id.	Modification	Date	Name	Replace	Sheet 1/1	

Drawing-No.		ASS 1576A CA	rev08
Replace			