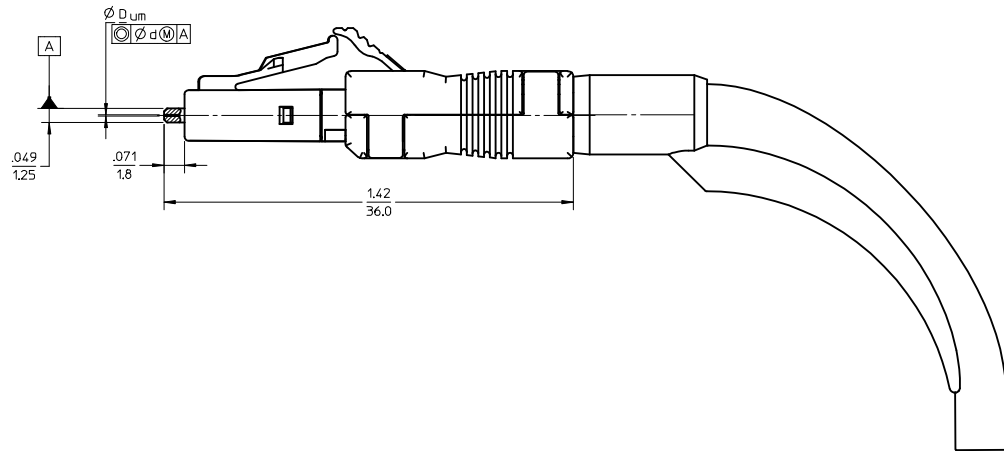
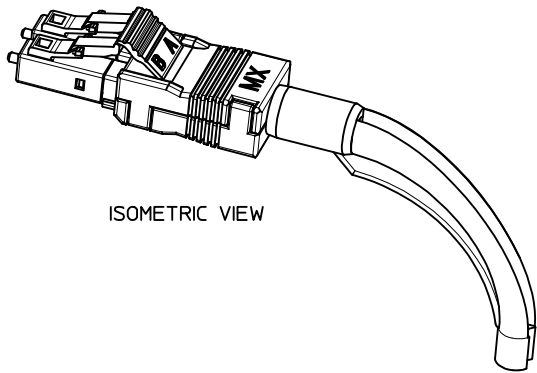
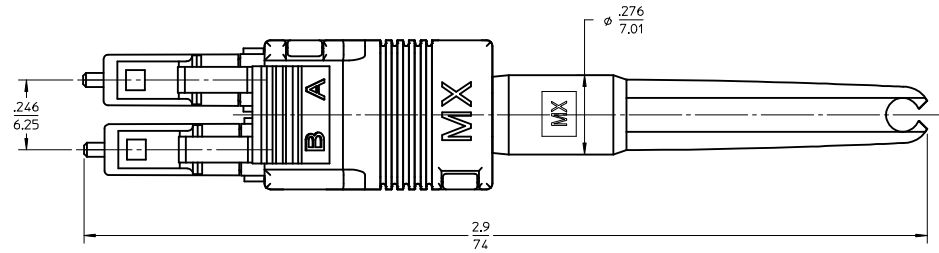
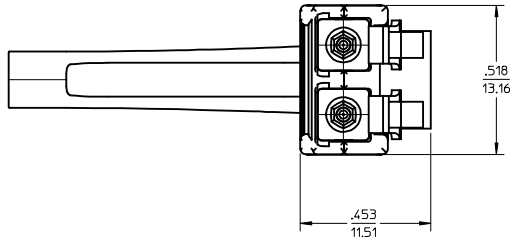


CONNECTOR P/N	CABLE TYPE	ϕD (μm)	ϕd (μm)	COLOR
106025-2370	SINGLE MODE	125.5 ^{+0.5} ₀	1.0	BLUE
106025-2380	MULTIMODE	127.0 ^{+3.0} ₀	3.0	BEIGE



NOTES:
 1. ALL DIMENSIONS ARE FOR REFERENCE ONLY.
 2. DUST CAPS ARE NOT SHOWN.

ENTER DESCRIPTION EC NO: MF2008-0070 DRWN:YBEDNYAK 2007/08/30 CHKD: 2007/08/30 APPR: IGUMIN 2007/09/05	QUALITY SYMBOLS $\nabla=0$ $\nabla=0$	GENERAL TOLERANCES (UNLESS SPECIFIED) <table border="1"> <thead> <tr> <th></th> <th>mm</th> <th>INCH</th> </tr> </thead> <tbody> <tr> <td>4 PLACES</td> <td>\pm---</td> <td>\pm---</td> </tr> <tr> <td>3 PLACES</td> <td>\pm---</td> <td>\pm---</td> </tr> <tr> <td>2 PLACES</td> <td>\pm---</td> <td>\pm---</td> </tr> <tr> <td>1 PLACE</td> <td>\pm---</td> <td>\pm---</td> </tr> </tbody> </table>		mm	INCH	4 PLACES	\pm ---	\pm ---	3 PLACES	\pm ---	\pm ---	2 PLACES	\pm ---	\pm ---	1 PLACE	\pm ---	\pm ---	DIMENSION STYLE IN/MM	SCALE 3:1	DESIGN UNITS INCH	THIRD ANGLE PROJECTION
		mm	INCH																		
	4 PLACES	\pm ---	\pm ---																		
	3 PLACES	\pm ---	\pm ---																		
2 PLACES	\pm ---	\pm ---																			
1 PLACE	\pm ---	\pm ---																			
DESCRIPTION A	DRAFT WHERE APPLICABLE MUST REMAIN WITHIN DIMENSIONS	DRAWN BY YBEDNYAK	DATE 2007/03/21	TITLE LCD DOUBLE CONNECTOR (DUAL LINK CABLE) 90 DEG. BOOT																	
		CHECKED BY IGUMIN	DATE 2007/03/21	MOLEX INCORPORATED																	
		APPROVED BY IGUMIN	DATE 2007/03/21	MATERIAL NO. SEE TABLE	DOCUMENT NO. SD-106025-2370	SHEET NO. 1 OF 1															

THIS DRAWING CONTAINS INFORMATION THAT IS PROPRIETARY TO MOLEX INCORPORATED AND SHOULD NOT BE USED WITHOUT WRITTEN PERMISSION