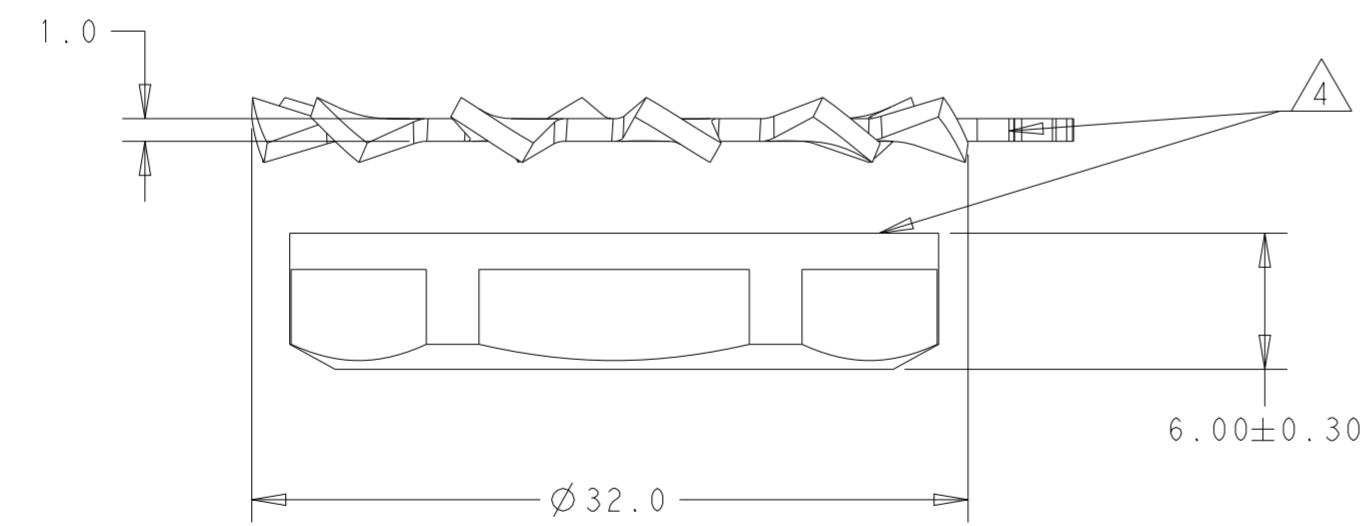
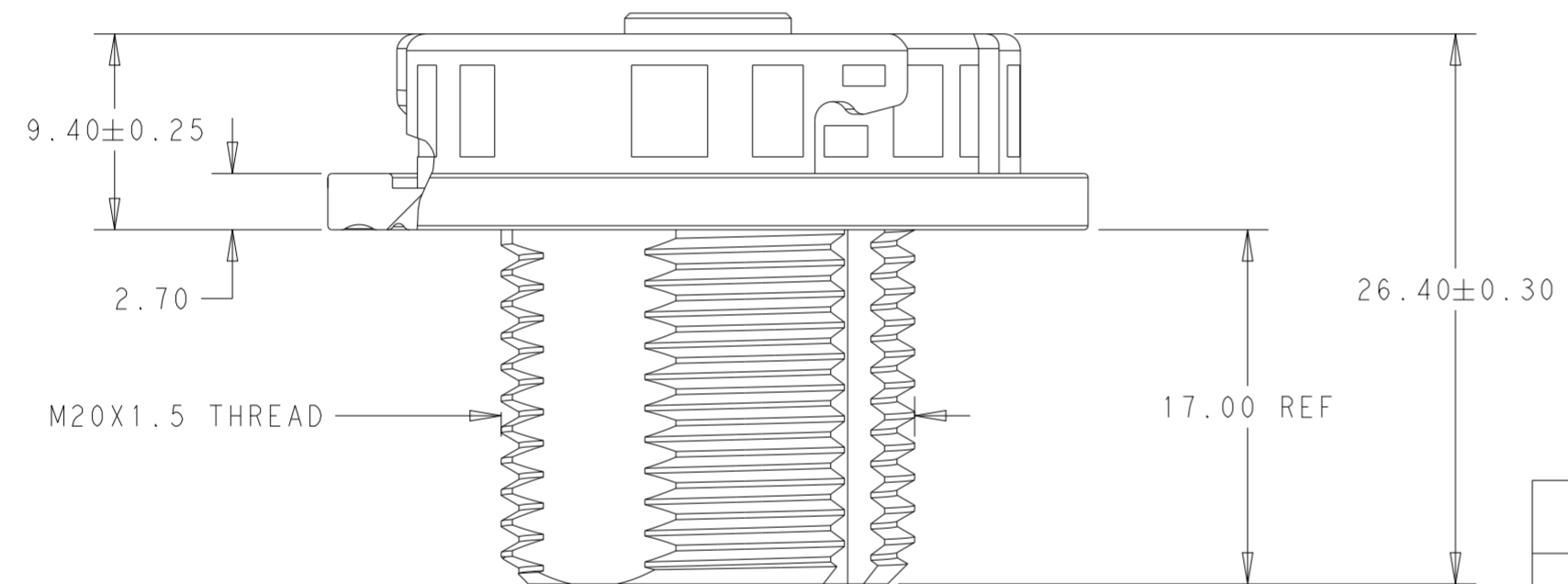


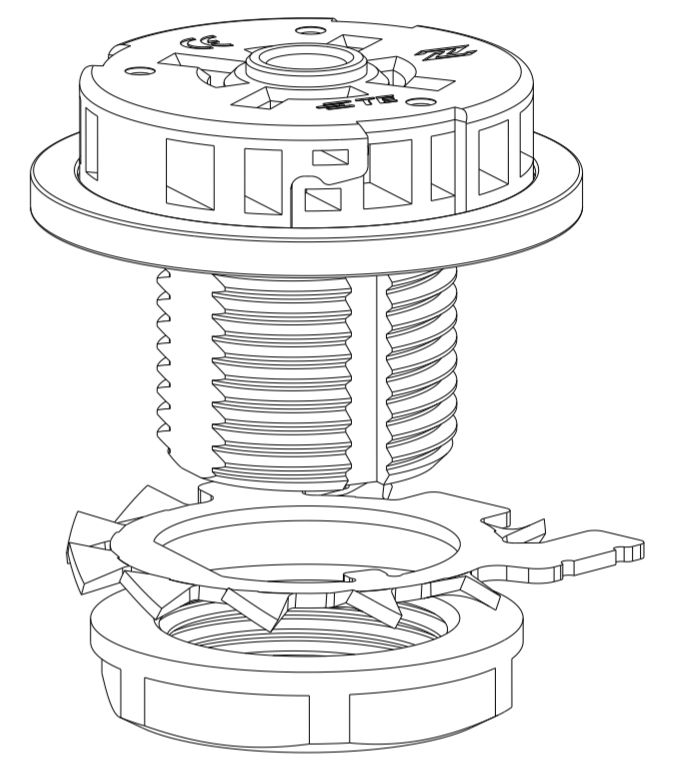
2363638-1
SHOWN



SEE SHEET 2 FOR
BOTTOM DETAIL

REVISIONS					
P	LTR	DESCRIPTION	DATE	DWN	APVD
A		ECR-21-004177	08APR2021	CD	CD
A1		ECR-21-105276	17JUN2021	CD	CD
A2		ECR-21-116069	04OCT2021	CD	CD

- 1. MATERIALS AND FINISH:
 - RECEPTACLE HOUSING: PBT, COLOR: BLACK
 - NUT: NYLON, COLOR: BLACK
 - CONTACTS: COPPER ALLOY, FINISH: Sn OVER Ni
 - SEAL: SILICON, COLOR: BLACK
 - STAR WASHER: STAINLESS STEEL
- 2. MUST COMPLY WITH DIRECTIVE 2002/95/EC (ROHS)
- 3. WIRE SIZE: 20-18AWG; MAX INSULATION OD: Ø2.25; MAX WIRE OD: Ø1.30
 STRIP LENGTH: 11.0±1.0
- 4. LOCK WASHER (REF P/N: 2363815-1 OR 2393258-1) AND NUT (REF P/N: 2374786-1)
 NOT ASSEMBLED, SHIPPED BULK PACKED.
- 5. ZHAGA BOOK 18 COMPLIANT
- 6. THIS PRODUCT HAS NOT COMPLETED VALIDATION TESTING
- 7. RECEPTACLE AND GASKET ONLY; NO NUT OR LOCK WASHER



2363638-1
SHOWN

ROUND	X-2343404-X	2343405-X	2341474-X	NONE	KEY POSITION A	4 2-2363638-2
ROUND	2213831-X	2213837-X	2213795-X	NONE	NO KEY	4 5 2-2363638-1
NONE	X-2343404-X	2343405-X	2341474-X	YES	KEY POSITION A	7 1-2363638-6
NONE	2213831-X	2213837-X	2213795-X	YES	NO KEY	7 5 1-2363638-5
WINGED	X-2343404-X	2343405-X	2341474-X	YES	KEY POSITION A	4 1-2363638-2
WINGED	2213831-X	2213837-X	2213795-X	YES	NO KEY	4 5 1-2363638-1
NONE	X-2343404-X	2343405-X	2341474-X	NONE	KEY POSITION A	7 2363638-6
NONE	2213831-X	2213837-X	2213795-X	NONE	NO KEY	7 5 2363638-5
WINGED	X-2343404-X	2343405-X	2341474-X	NONE	KEY POSITION A	4 2363638-2
WINGED	2213831-X	2213837-X	2213795-X	NONE	NO KEY	4 5 2363638-1
WASHER STYLE	80mm MODULE	40mm MODULE	SEALING CAP	COLOR DOTS	KEYING POSITION	PART NO

THIS DRAWING IS A CONTROLLED DOCUMENT.

DWN	C DAILY	18NOV2019
CHK	C DAILY	18NOV2019
APVD	-	-
PRODUCT SPEC	108-160194	
APPLICATION SPEC	114-160106	
WEIGHT	-	
CUSTOMER DRAWING		

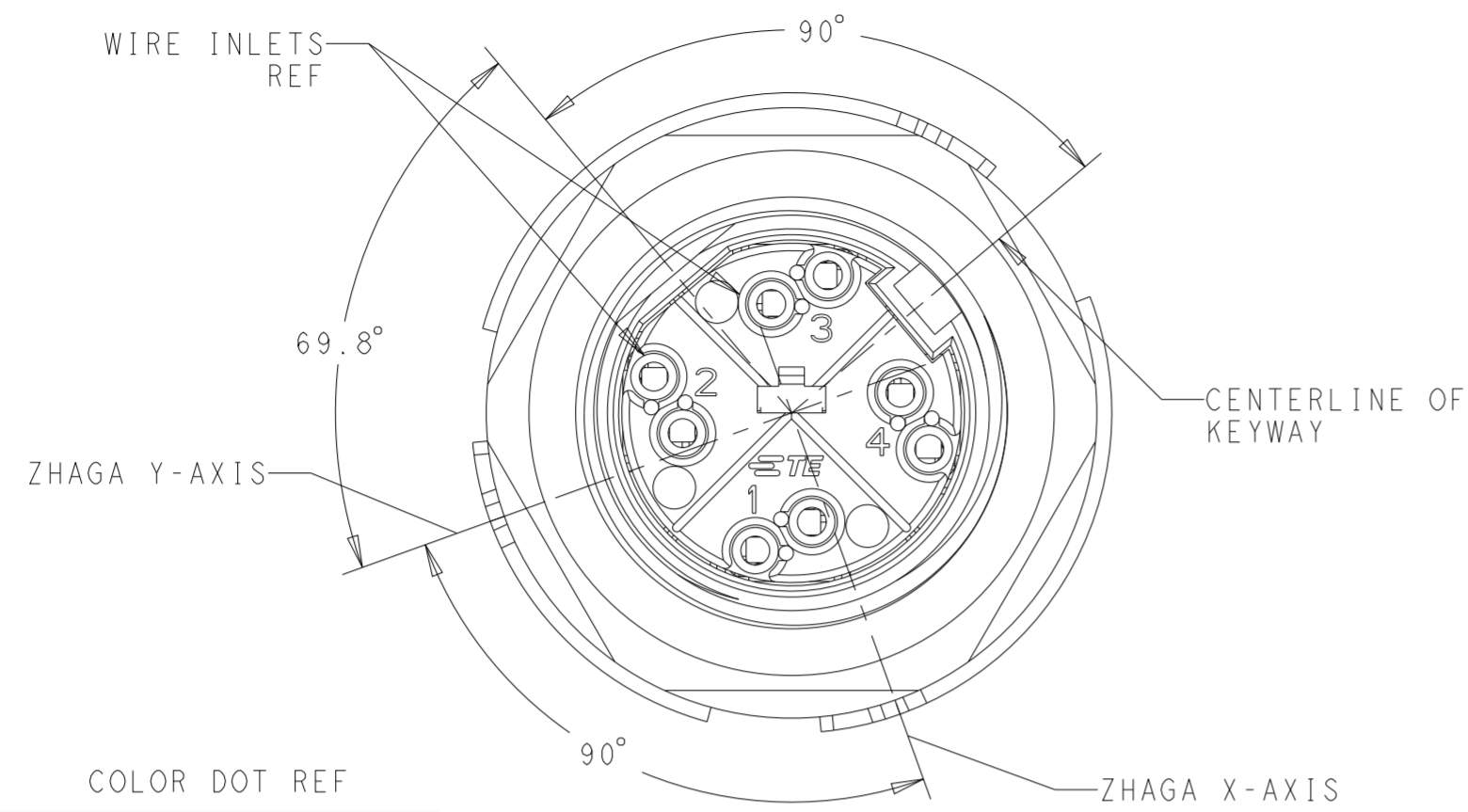
TE Connectivity

RECEPTACLE ASSEMBLY,
LUMAWISE ENDURANCE S2

SIZE	CAGE CODE	DRAWING NO	RESTRICTED TO
A2	00779	C-2363638	-

SCALE 3:1 SHEET 1 OF 2 REV A2

REVISIONS					
P	LTR	DESCRIPTION	DATE	DWN	APVD
-	-	SEE SHEET 1	-	-	-

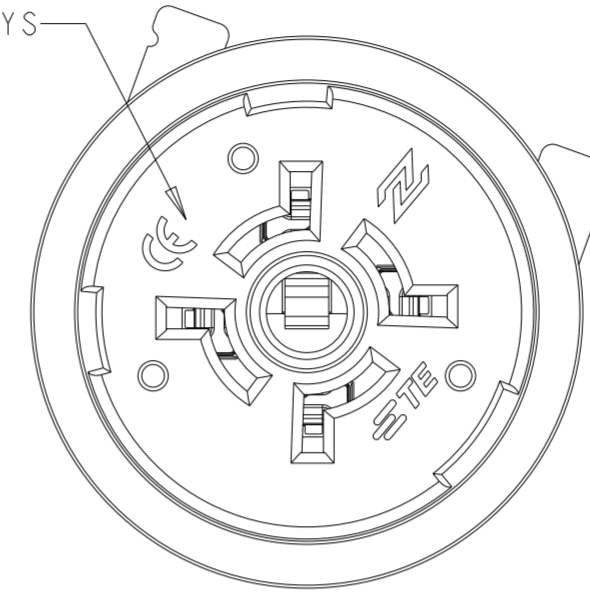


COLOR DOT REF

POSITION 1	RED
POSITION 2	BLACK
POSITION 3	PURPLE
POSITION 4	NONE

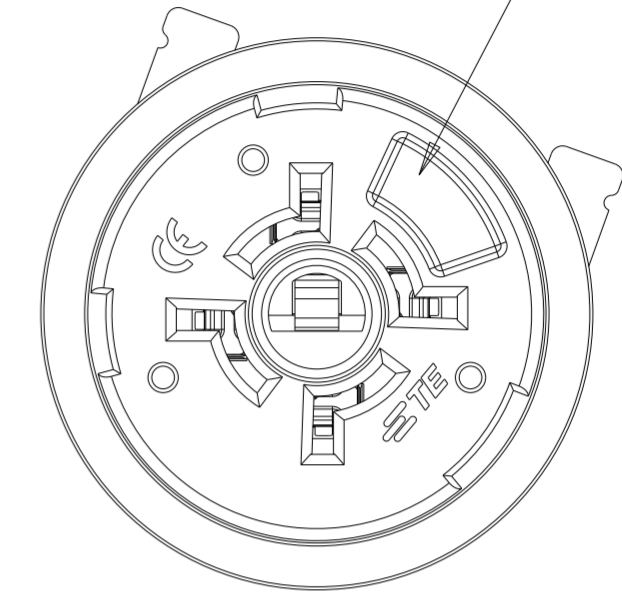
BOTTOM VIEW
(GASKET, NUT AND WASHER NOT SHOWN FOR CLARITY)

NOTE: NO KEYS

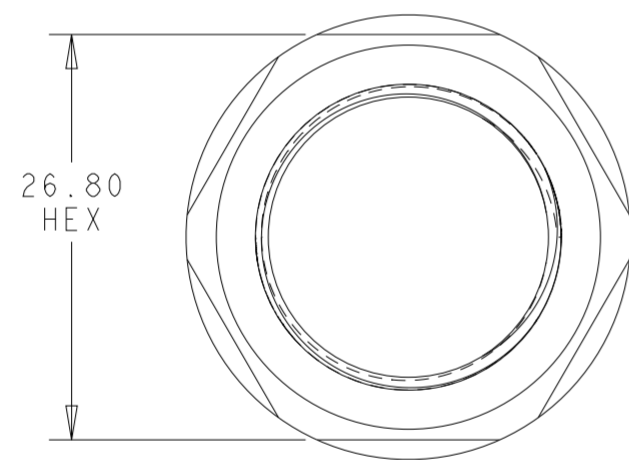


2363638-1 AND 1-2363638-1
NO KEY POSITION
SCALE 2:1

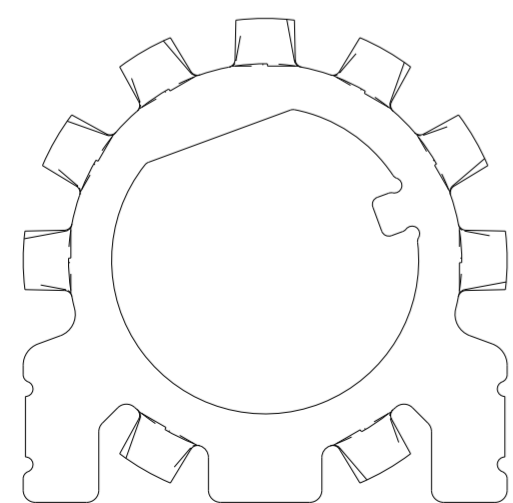
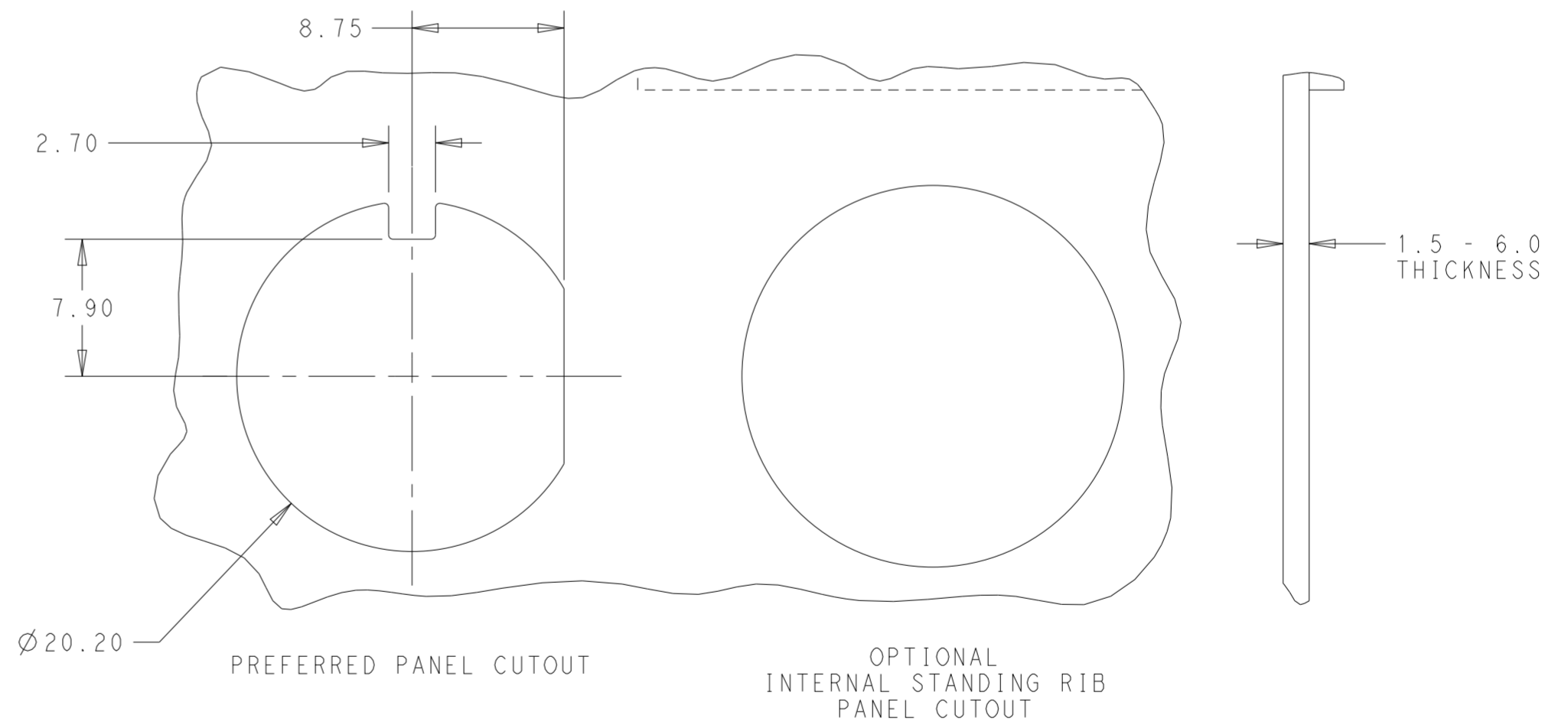
NOTE: KEY



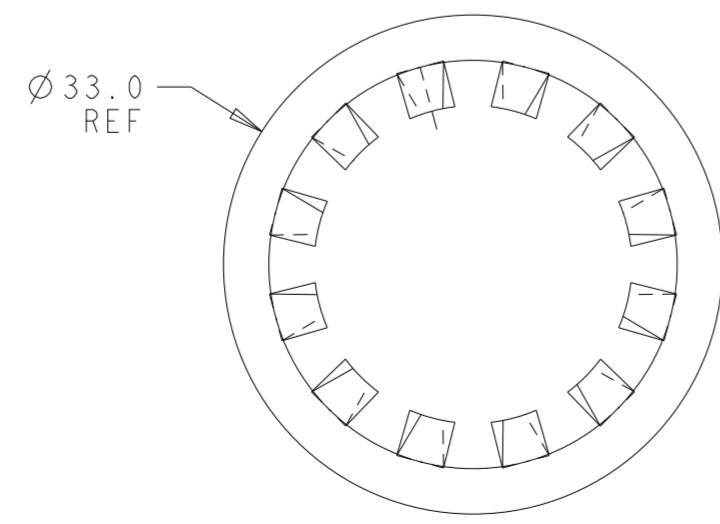
2363638-2, 1-2363638-2
KEY POSITION A
SCALE 2:1



LOCKING NUT DETAIL
SCALE 2:1



WINGED WASHER (REF)
2363815-1
SCALE 2:1



ROUND WASHER (REF)
2393258-1
SCALE 2:1

THIS DRAWING IS A CONTROLLED DOCUMENT.		DWN C. DAILY 18NOV2019	TE Connectivity	
DIMENSIONS: mm		CHK C. DAILY 18NOV2019		
TOLERANCES UNLESS OTHERWISE SPECIFIED:		APVD -	NAME RECEPTACLE ASSEMBLY, LUMAWISE ENDURANCE S2	
0 PLC ±		PRODUCT SPEC 108-160194	-	
1 PLC ±0.2		APPLICATION SPEC 114-160106	SIZE A2	
2 PLC ±0.13		WEIGHT -	CAGE CODE A200779	DRAWING NO C-2363638
3 PLC ±		CUSTOMER DRAWING	SCALE 3:1	SHEET 2 OF 2
4 PLC ±				REV A2
ANGLES ±1°				
FINISH				