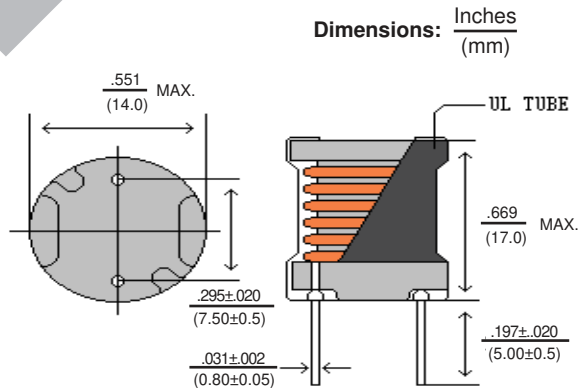




## Radial Power Choke

RB1315



Allied Part Number	Inductance (µH) @ 1KHz	Tolerance (%)	Q Min.	Q Test Freq (MHz)	SRF Min. (MHz)	DCR Max. (Ω)	Isat (A) Max.	Irms (A) Max.
RB1315-100K-RC	10	10	90	2.520	19	.023	12	5.1
RB1315-120K-RC	12	10	90	2.520	12	.028	9.5	4.5
RB1315-220K-RC	22	10	80	2.520	7.6	.035	8.2	4.2
RB1315-330K-RC	33	10	70	2.520	6.9	.043	6.8	3.7
RB1315-470K-RC	47	10	50	2.520	5.6	.052	5.7	3.4
RB1315-680K-RC	68	10	40	2.520	4.4	.068	4.8	3.0
RB1315-101K-RC	100	10	50	0.796	3.3	.097	3.9	2.5
RB1315-151K-RC	150	10	50	0.796	2.6	0.14	3.2	2.1
RB1315-221K-RC	220	10	40	0.796	2.2	0.20	2.7	1.7
RB1315-331K-RC	330	10	30	0.796	1.8	0.30	2.1	1.4
RB1315-471K-RC	470	10	30	0.796	1.5	0.43	1.8	1.1
RB1315-681K-RC	680	10	30	0.796	1.2	0.61	1.5	.99
RB1315-102K-RC	1000	10	30	0.252	1.00	1.00	1.2	.78
RB1315-152K-RC	1500	10	40	0.252	.83	1.30	1.0	.68
RB1315-222K-RC	2200	10	40	0.252	.70	2.00	.83	.55
RB1315-332K-RC	3300	10	40	0.252	.60	3.10	.69	.44
RB1315-472K-RC	4700	10	40	0.252	.43	4.40	.58	.37
RB1315-682K-RC	6800	10	30	0.252	.38	6.50	.46	.30
RB1315-103K-RC	10000	10	70	.0796	.30	10.0	.40	.24

All specifications subject to change without notice.

### Features

- High Current
- LOW DCR
- Extensive Inductance Range
- Extended Temperature Range

### Electrical

**Inductance Range:** 10µh ~ 10,000µh

**Tolerance:** 10% over entire range.

**Test Frequency:** as noted

**Operating Temperature:** -55°C to +125°C.

**Isat:** Based on Inductance change by no more than 10% of initial value.

**Irms:** Based on a temperature rise of 25°C.

**Temperature:** Under no conditions should the temperature of the part exceed 125°C

### Test Equipment

**Inductance:** HP4363B

**DCR:** HP4263B + Current Source DCR Meter

**Current:** 11021 Current Source & DCR Meter

### Physical

**Packaging:** Bulk

**Marking:** EIA Inductance Code