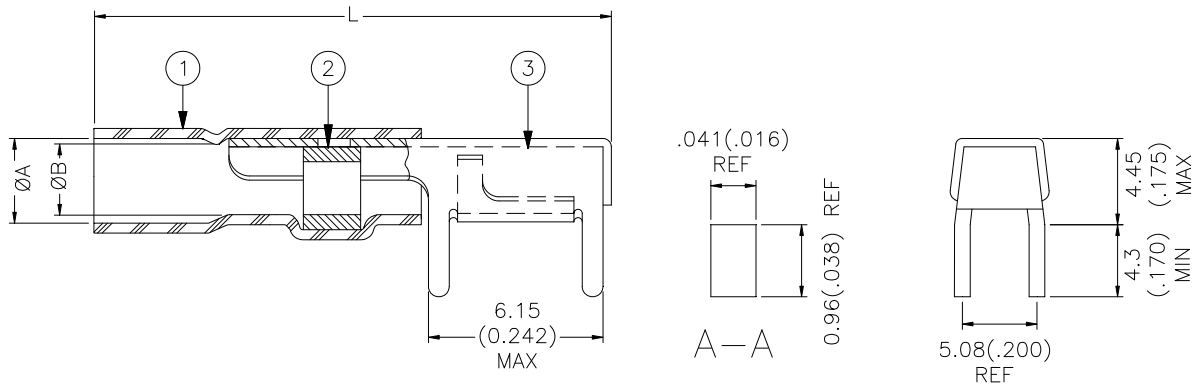


## CUSTOMER DRAWING



Product Name	Product Dimensions			Cable Dimensions	
	L max	øA min	øB min	øD	øE <sup>1</sup>
D-607-10	24.0 (0.945)	4.0 (0.155)	2.8 (0.110)	1.8 to 4.0 (0.070 to 0.155)	1.9 to 2.8 (0.075 to 0.110)

1) Shield may be folded back over jacket to increase diameter.

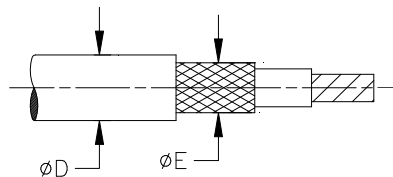
### MATERIALS

- INSULATION SLEEVE: Heat-shrinkable, transparent blue, radiation cross-linked polyvinylidene fluoride.
- SOLDER PREFORM WITH FLUX:  
 SOLDER: TYPE Sn63 per ANSI-J-STD-006.  
 FLUX: TYPE ROL0 per ANSI-J-STD-004.
- TERMINATOR BODY BASE METAL: Copper alloy.  
 Plating: Tin lead solder per SAE Specification AMS-P-81728.

### APPLICATION

- These parts are designed to provide an environment protected shield termination on cables, rated for 125°C minimum, meeting the dimensional criteria listed, having tin, or silver-plated copper shields.
- Temperature range: -55°C to +150°C. Install using TE Connectivity approved convection or infrared tools in accordance with TE Connectivity assembly procedure ES-61139.

For best results, prepare the cable as shown:



<b>TE</b> TE Connectivity		<b>Raychem</b> Devices		TITLE : <b>PCB TERMINATOR</b>			
UNLESS OTHERWISE SPECIFIED DIMENSIONS ARE IN MILLIMETERS. INCHES DIMENSIONS ARE BETWEEN BRACKETS.				DOCUMENT NO.: <b>D-607-10</b>			
TOLERANCES: 0.00 N/A 0.0 N/A 0 N/A	ANGLES: N/A  ROUGHNESS IN MICRON	TE Connectivity reserves the right to amend this drawing at any time. Users should evaluate the suitability of the product for their application.		DOCUMENT REVISION: <b>J</b>		REVISION ISSUE DATE: <b>12-MAR-2020</b>	
DRAWN BY: M. FORONDA	DATE: 24-AUG-1999	CAGE CODE: 06090	ECO NUMBER: ECO-20-003669	SCALE: None	SIZE: A	SHEET: 1 of 1	