



## NON-METALLIC CABLE SPLICE & TAP CONNECTORS

### TAP KIT 2 WIRE CONNECTION

#### KEY FEATURES

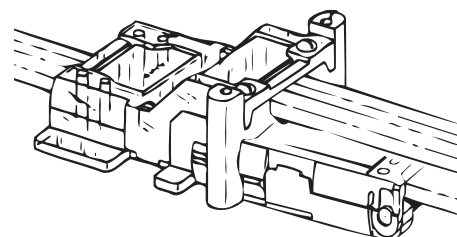
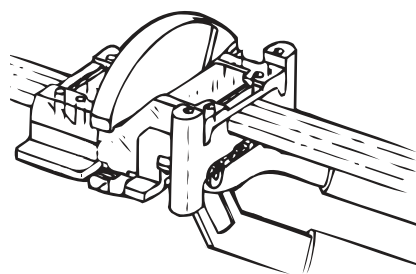
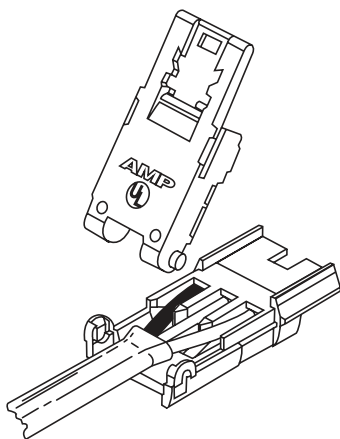
- Eliminates junction boxes and wire nuts
- Fast and simple to install
- Insulation displacement contacts eliminate stripping individual conductors
- Tap into existing circuits without cutting wire
- No special tools required
- Polarized for proper mating
- Clear cover allows visual inspection of termination

Raychem tap kits provide a fast and reliable method for splicing or tapping 2 wire w/ ground and splicing 3 wire w/ground non-metallic cables up to 300 volts. They are designed and approved for use in rework within existing structures. Splice and Tap Kits also eliminate wire nuts for installation and replace the conventional method for adding a splice or tap for non-metallic cable without the need for exposed and unsightly junction boxes. NEC approved Article 334-40b.

Non-metallic (NM) splice and tap technology provides a fast and reliable way to connect 12 and 14 AWG (3.31 or 2.08 mm<sup>2</sup>) circuits using non-metallic cable.

**Customers can count on consistent, high quality products, driven by TE's proven innovation and backed by our extraordinary customer support.**

## Non-Metallic Cable Splice & Tap Connectors



### PRODUCT SELECTION

Part Number	Wire Range	Description	Std. Pack
CPGI-1116377-2	12-14 AWG	Splice Kit for 2 -conductor	5
CPGI-1116377-2-Bulk	12-14 AWG	Splice Kit for 2 -conductor	100
CPGI-208169-2	12-14 AWG	Splice Kit for 3-conductor	5
CPGI-208169-2-Bulk	12-14 AWG	Splice Kit for 3-conductor	100
CPGI-1116415-2	12-14 AWG	Tap & Splice Kit for 2 -conductor	5
CPGI-1116415-2-Bulk	12-14 AWG	Tap & Splice Kit for 2 -conductor	100



[te.com/energy](http://te.com/energy)

© 2019 TE Connectivity. All Rights Reserved. EPP-3384-DDS-6/19-TAP-CONNECTOR-TE

Raychem, TE Connectivity and TE connectivity (logo) are trademarks. Other logos, product and/or company names might be trademarks of their respective owners. While TE has made every reasonable effort to ensure the accuracy of the information in this brochure, TE does not guarantee that it is error-free, nor does TE make any other representation, warranty or guarantee that the information is accurate, correct, reliable or current. TE reserves the right to make any adjustments to the information contained herein at any time without notice. TE expressly disclaims all implied warranties regarding the information contained herein, including, but not limited to, any implied warranties of merchantability or fitness for a particular purpose. The dimensions in this catalog are for reference purposes only and are subject to change without notice. Specifications are subject to change without notice. Consult TE for the latest dimensions and design specifications.

#### FOR MORE INFORMATION: TE Technical Support Centers

USA:	+ 1 800 327 6996
Canada:	+ 1 (905) 475-6222
Mexico:	+ 52 (0) 55-1106-0800
Latin/S. America:	+ 54 (0) 11-4733-2200
France:	+ 33 380 583 200
UK:	+ 44 0870 870 7500
Germany:	+ 49 896 089 903
Spain:	+ 34 916 630 400
Italy:	+ 39 333 250 0915
Benelux:	+ 32 16 508 695
Russia:	+ 7 495-790 790 2-200
China:	+ 86 (0) 400-820-6015