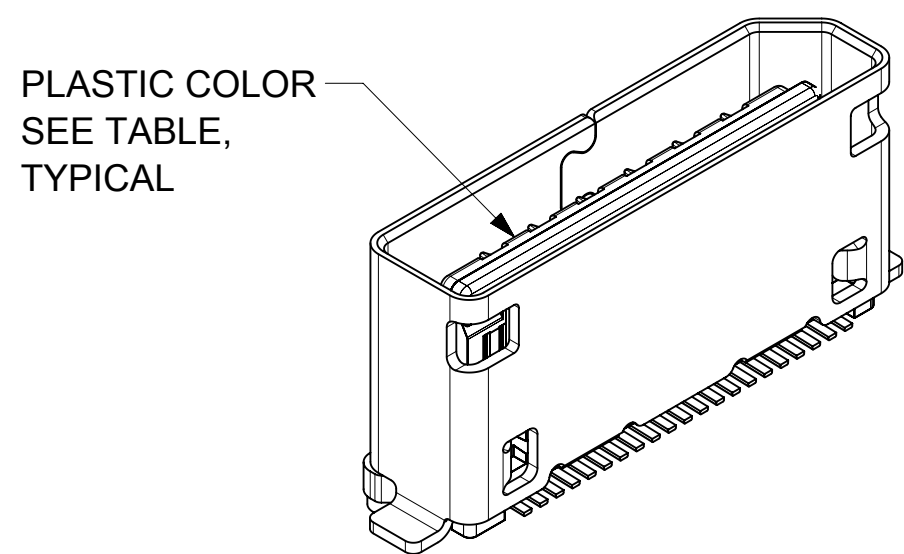
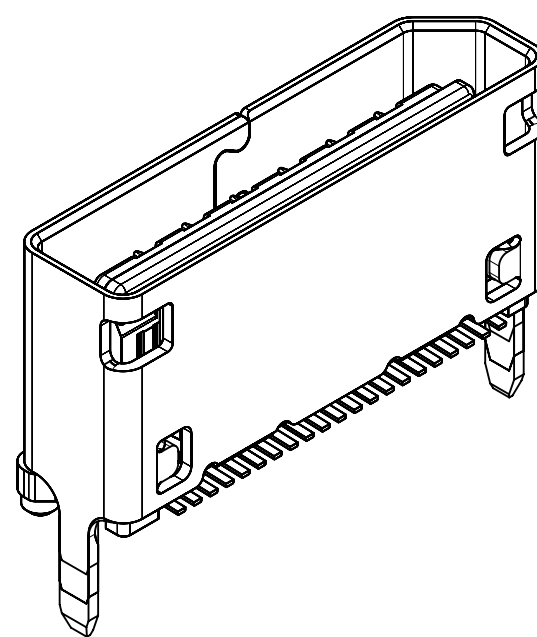


STATUS	MATERIAL NUMBER	SHELL ATTACH OPTION	PLASTIC COLOR	DIM "T" OPTION 1
TOOLED	171983-0142	SMT	BLACK	-
NOT TOOLED	171983-0342	SMT	NATURAL	-
TOOLED	171983-2042	TH	BLACK	3.00
TOOLED	171983-2342	TH	NATURAL	3.00
TOOLED	171983-2442	TH	BLACK	2.36
TOOLED	171983-2542	TH	NATURAL	2.36
TOOLED	171983-2642	TH	BLACK	1.57
TOOLED	171983-2742	TH	NATURAL	1.57
TOOLED	171983-3042	XD	BLACK	3.00
TOOLED	171983-3142	XD	NATURAL	3.00
TOOLED	171983-3242	XD	BLACK	2.36
TOOLED	171983-3342	XD	NATURAL	2.36
TOOLED	171983-3442	XD	BLACK	1.57
TOOLED	171983-3542	XD	NATURAL	1.57

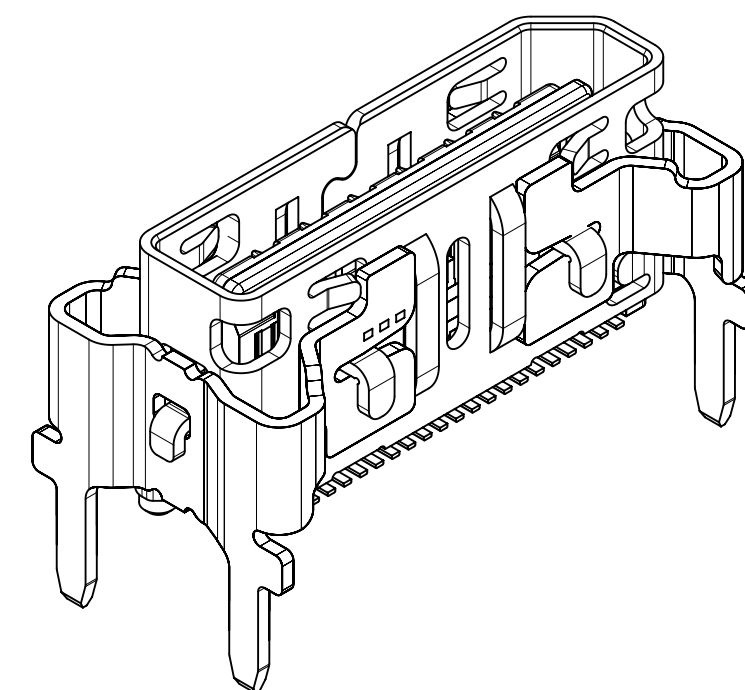
42 CIRCUIT SMT SHELL



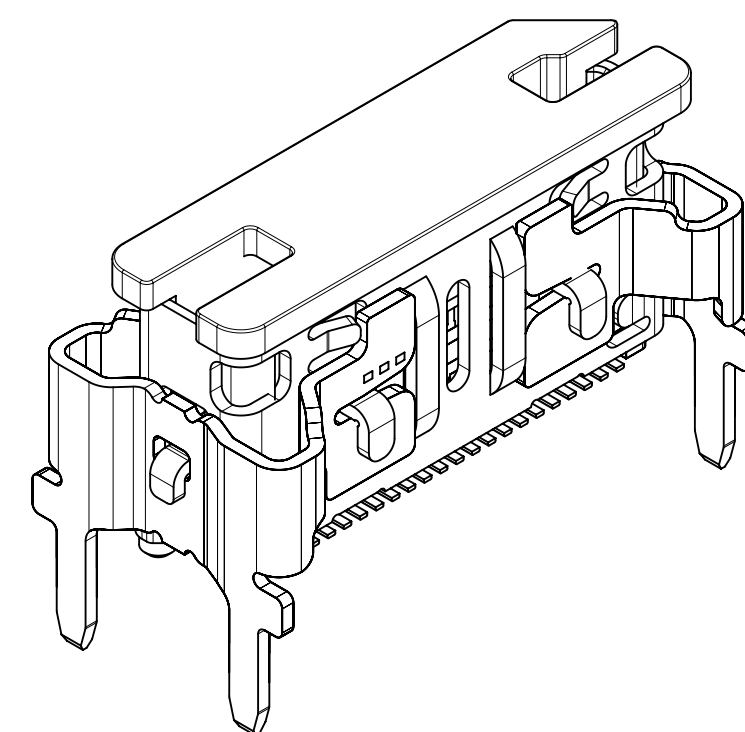
42 CIRCUIT THRU HOLE SHELL



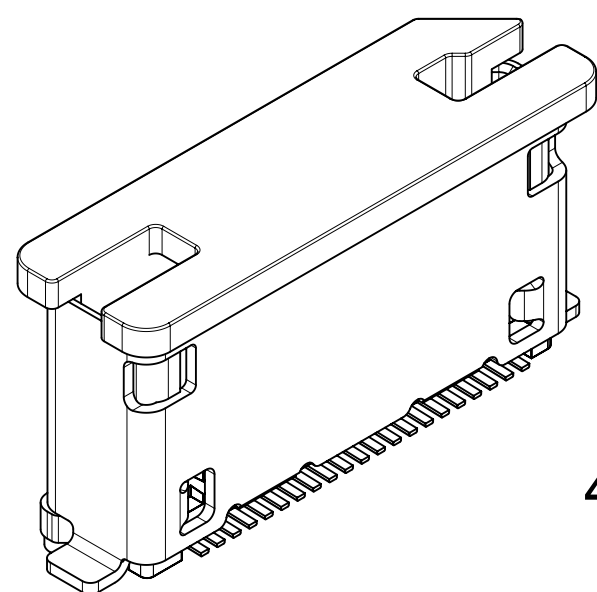
42 CIRCUIT XD SHELL



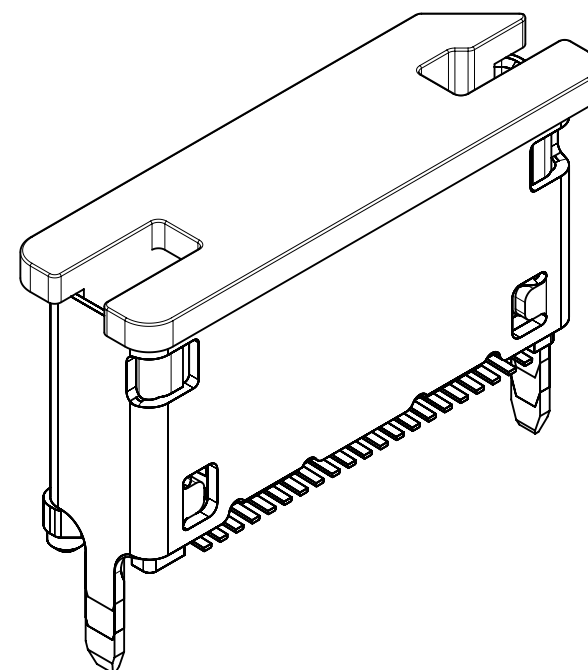
42 CIRCUIT XD SHELL W/ CAP



42 CIRCUIT SMT SHELL W/ CAP



42 CIRCUIT THRU HOLE SHELL W/ CAP



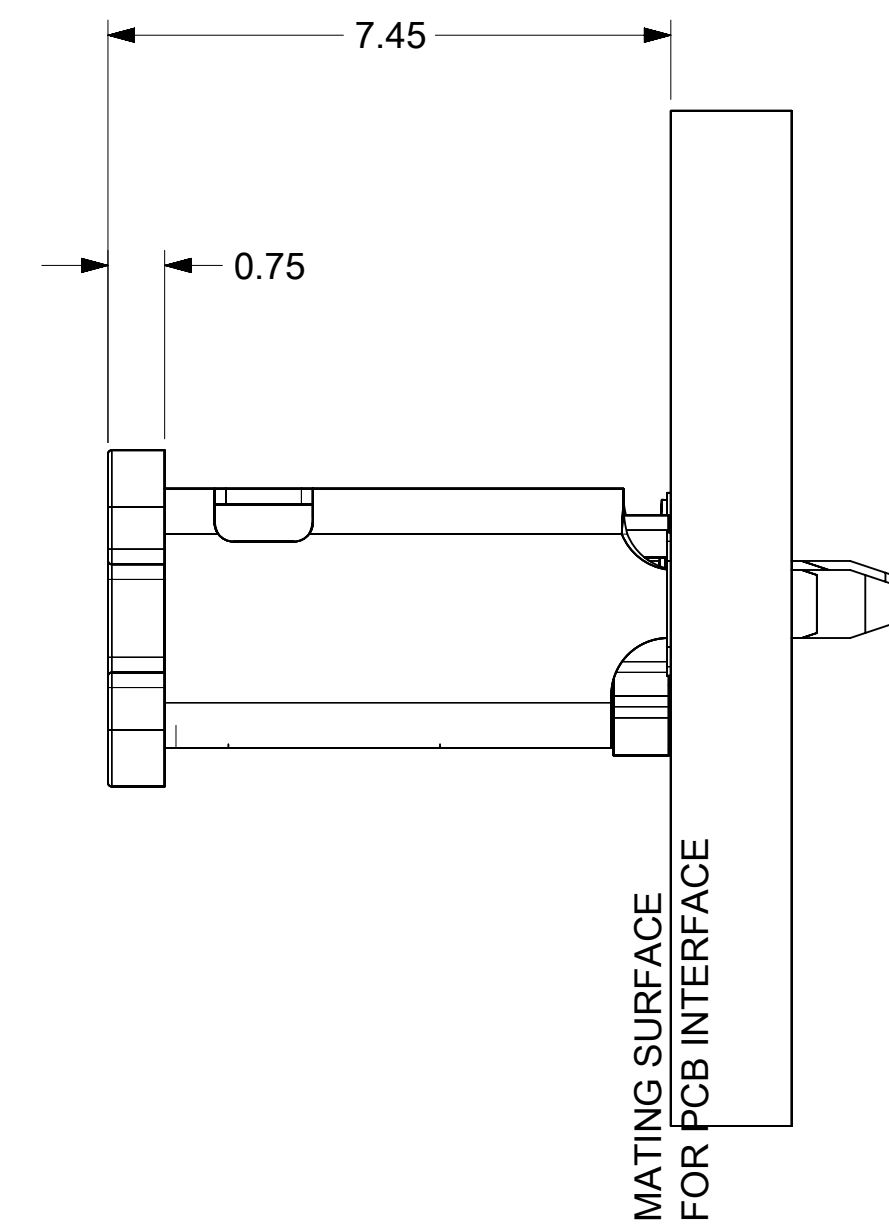
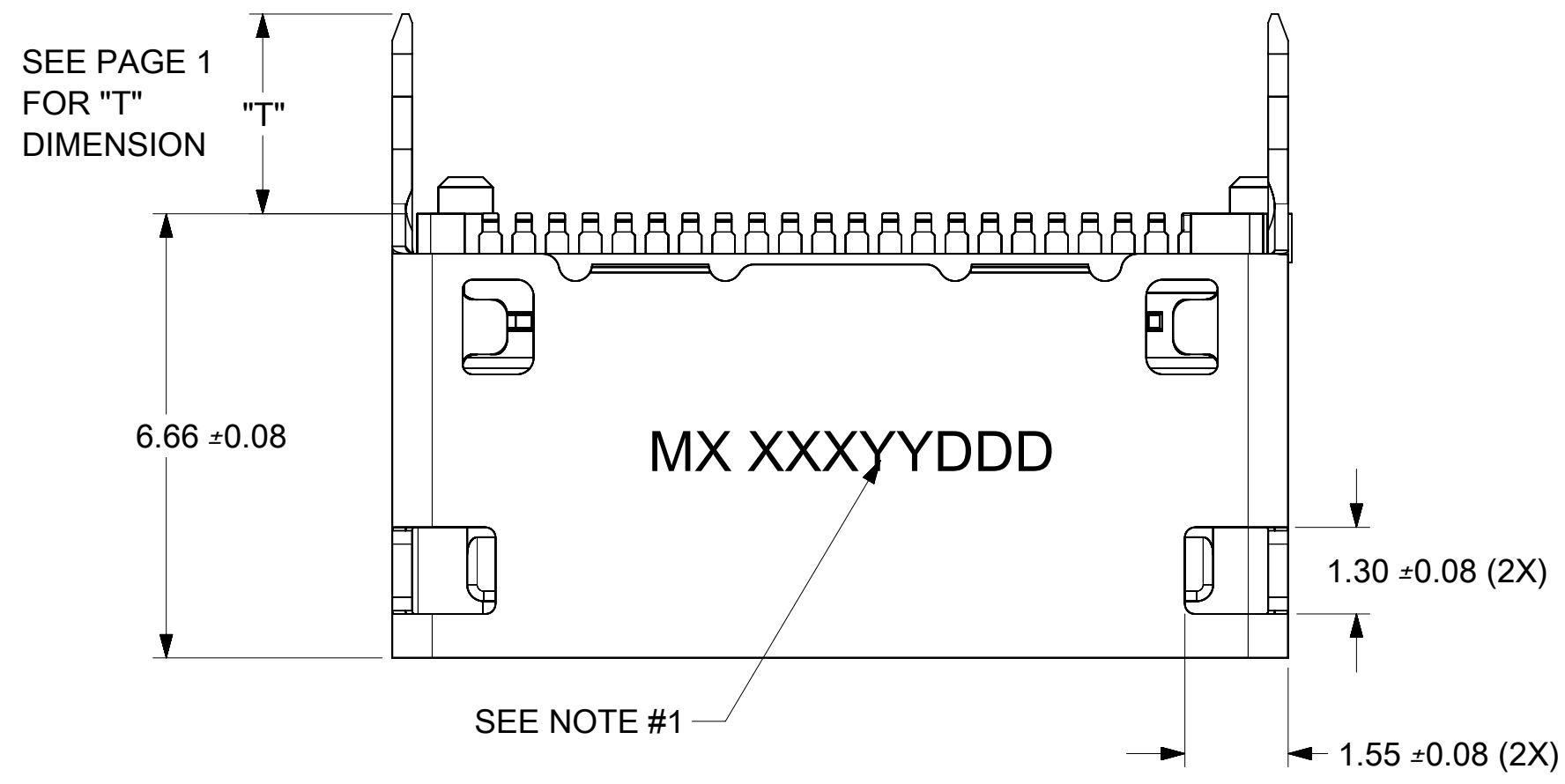
NOTES:

- MATERIALS:**
HOUSING - GLASS FILLED THERMOPLASTIC, 94V-0
CONTACTS - HIGH PERFORMANCE COPPER ALLOY
SHIELD - STAINLESS STEEL
DUST CAP-GLASSFILLED THERMOPLASTIC 94V-0
COLOR:BLACK
- FINISH:**
CONTACTS - 0.76µm MIN. GOLD MATING SIDE
K1 0.005µm GOLD FLASH ON SOLDER TAILS
1.27µm MIN. NICKEL UNDERPLATE OVERALL

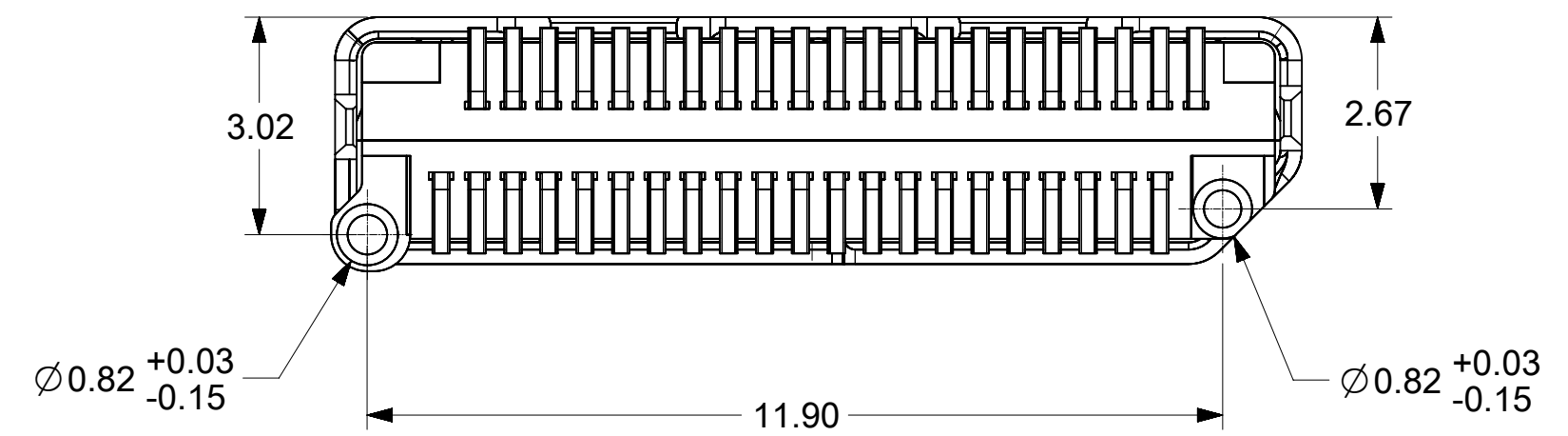
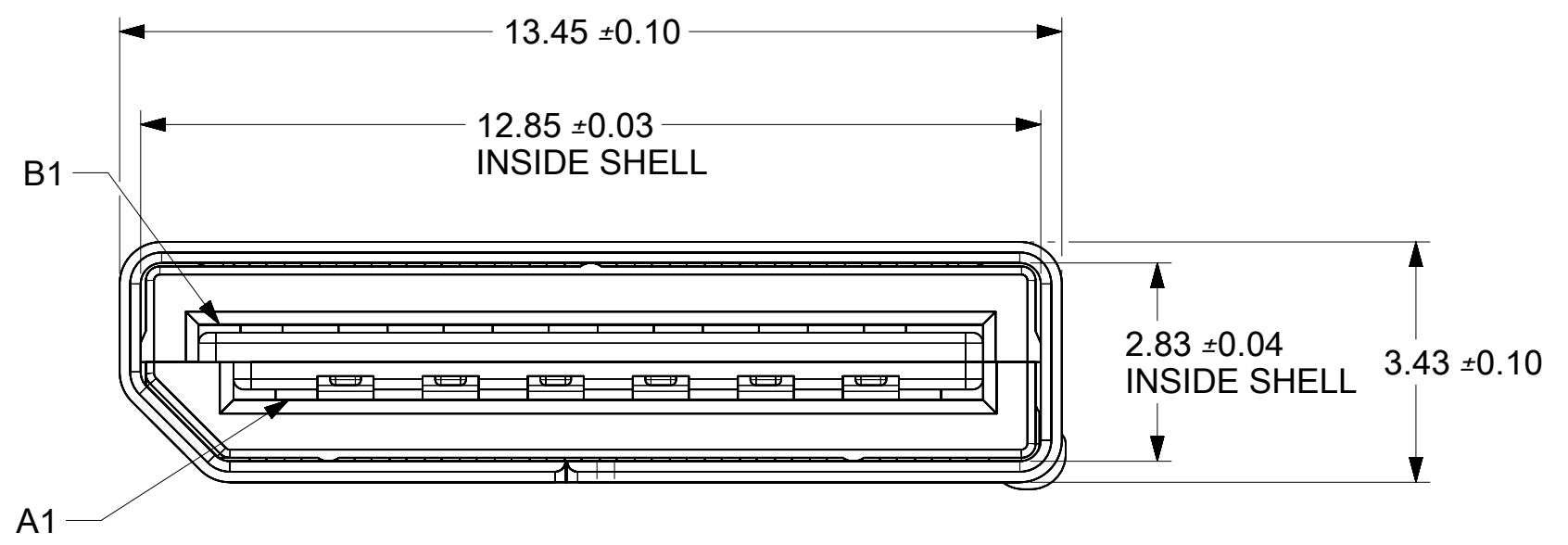
SMT/TH SHIELD - MATTE TIN OVER 1.27µm MIN. NICKEL
XD SHIELD-MATT TIN ON SOLDER LEGS ONLY
- PRODUCT SPECIFICATION:** PS-171982-0001
- PACKAGING SPECIFICATION:** PK-173307-0001
- MATES WITH:** MOLEX CABLE SERIES 100436
COMPLIES WITH PCI EXPRESS OCULINK REV.1.0 SPECIFICATION
- APPLICATION SPECIFICATION:** AS-173162-0001
- COSMETIC SPECIFICATION:** PS-173162-0001,CLASS C

THIS DRAWING CONTAINS INFORMATION THAT IS PROPRIETARY TO MOLEX ELECTRONIC TECHNOLOGIES, LLC AND SHOULD NOT BE USED WITHOUT WRITTEN PERMISSION										
MIGRATED TO NX	2018/09/14	GENERAL TOLERANCES (UNLESS SPECIFIED)		DIMENSION UNITS		SCALE				
	2019/01/16			MM		6:1				
	2019/01/16	MM	INCH	DRWN BY		DATE				
		4 PLACES	±	±	MJANTELEZIO		2015/10/22			
		3 PLACES	±	±	CHK'D BY		DATE			
	2 PLACES	±	0.13	APPR BY		DATE				
	1 PLACES	±	0.25	MBANAKIS		2015/11/09				
	0 PLACES	±	±	ANGULAR TOL = 0.5		DRAWING SIZE		THIRD ANGLE PROJECTION		
	DRAFT WHERE APPLICABLE MUST REMAIN WITHIN DIMENSIONS			C						
EC NO: 610015	SERIES		MATERIAL NUMBER		CUSTOMER					
DRWN: CHEN103	171983		SEE CHART		GENERAL MARKET					
CHKD: JKACHLIC	DOCUMENT NUMBER		DOC TYPE		DOC PART		SHEET NUMBER			
REV / APPR: JKACHLIC	SD-171983-1000		PSD		001		1 OF 7			

42 CIRCUIT TH ASSEMBLY



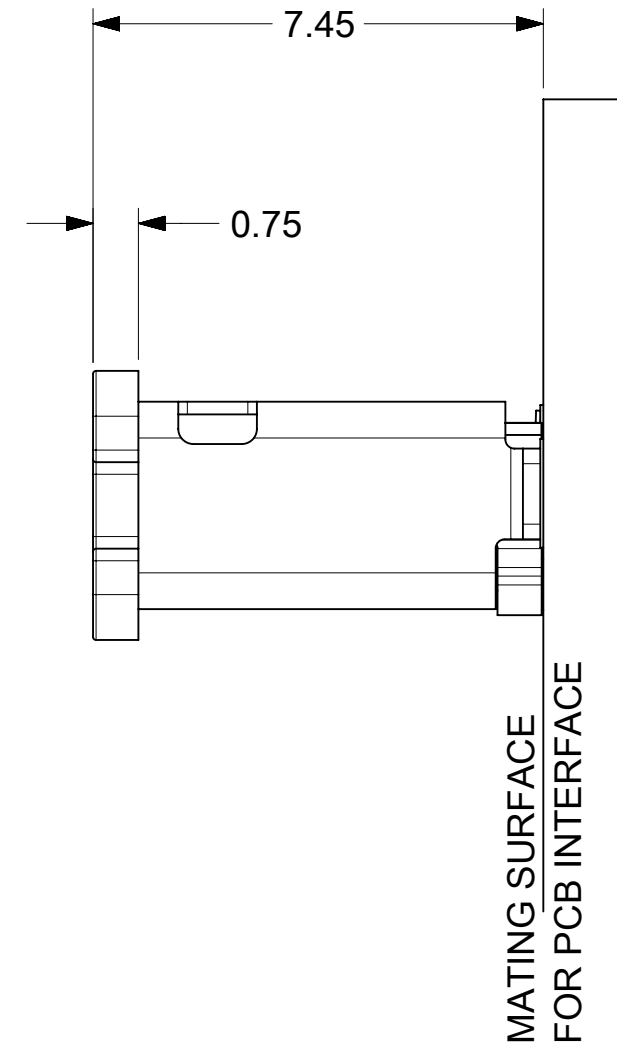
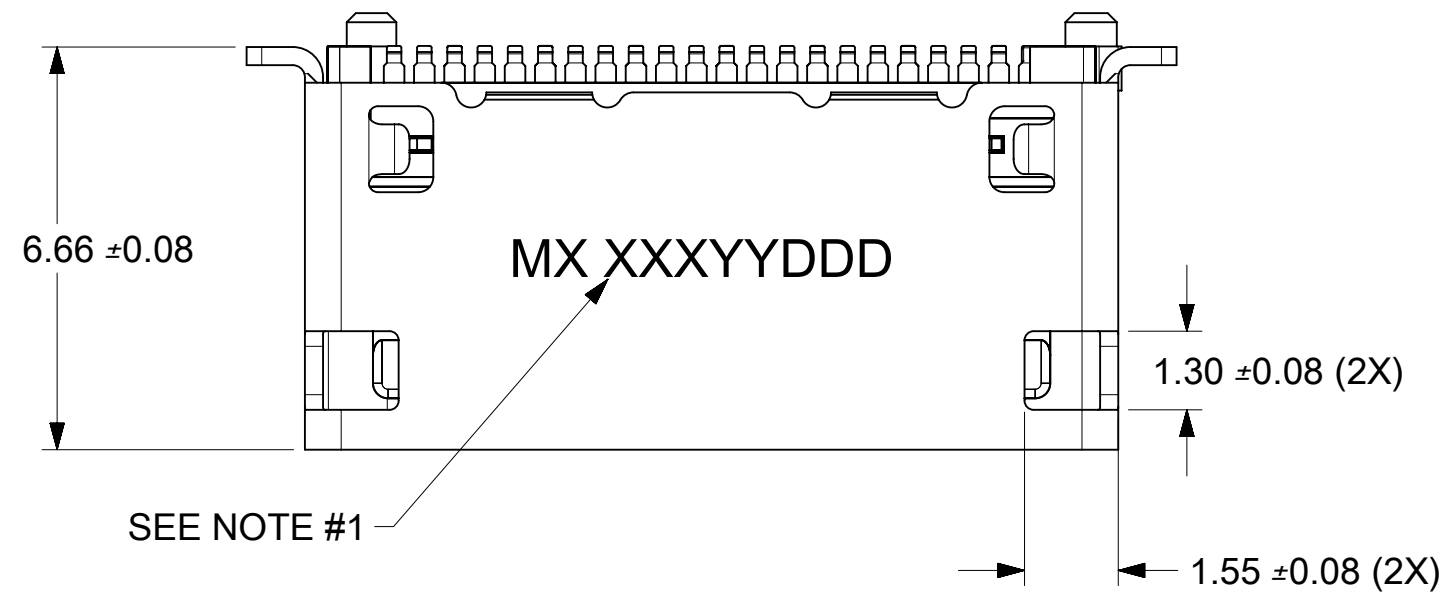
WITH CAP



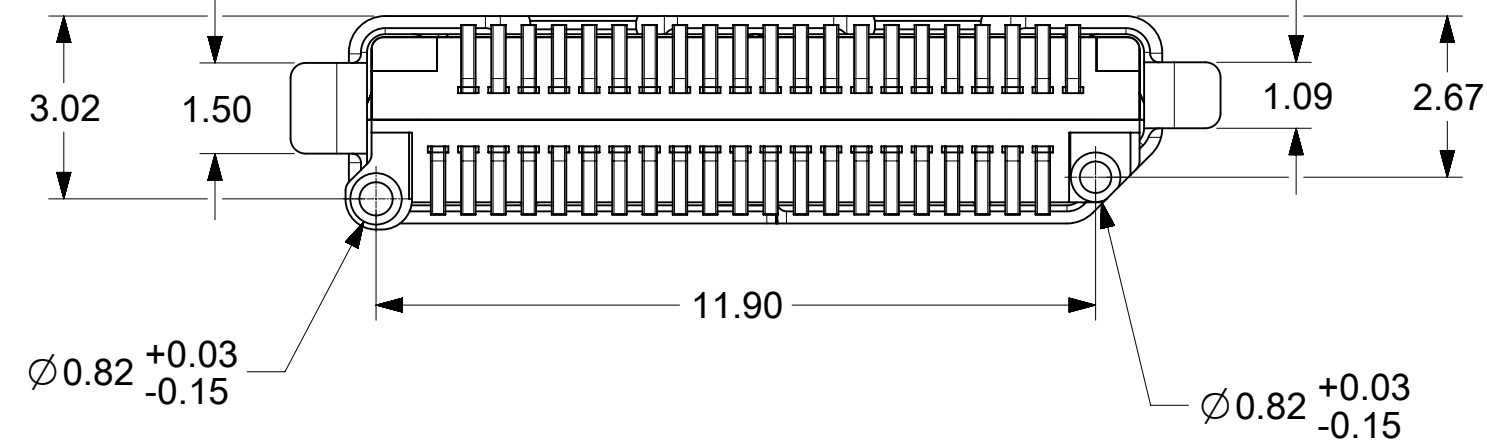
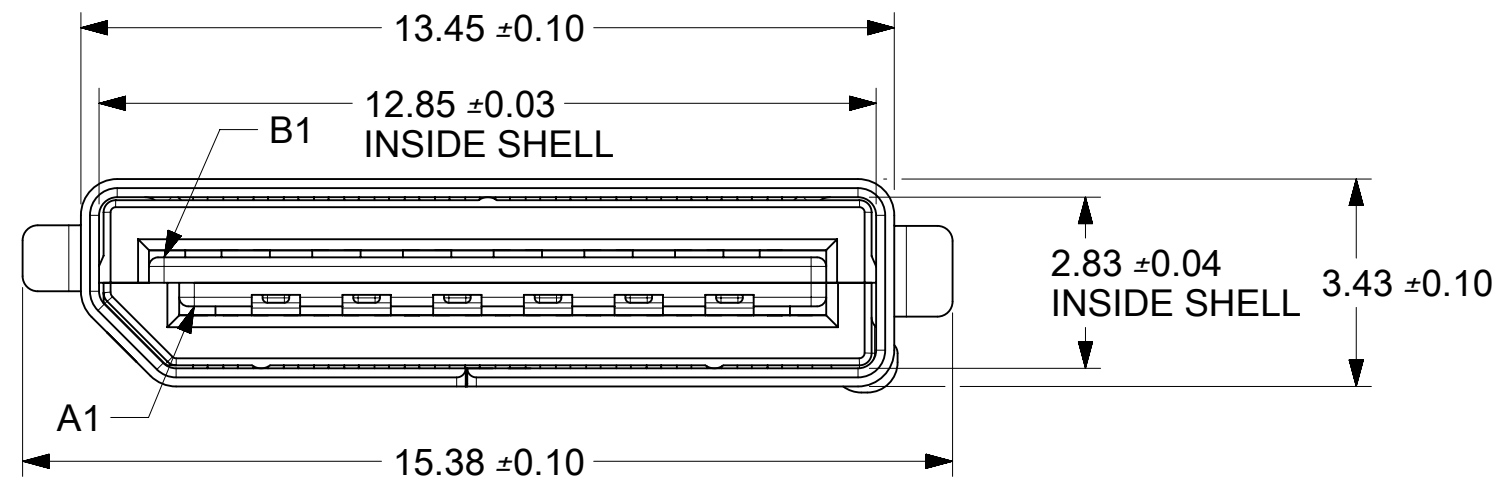
- NOTES:
1. PLANT CODE, MANUFACTURED DATE CODE (JULIAN CALENDAR) AND PART NUMBER
 2. SOLDER TAIL COPLANARITY 0.10 MAX

THIS DRAWING CONTAINS INFORMATION THAT IS PROPRIETARY TO MOLEX ELECTRONIC TECHNOLOGIES, LLC AND SHOULD NOT BE USED WITHOUT WRITTEN PERMISSION										
MIGRATED TO NX EC NO: 610015 DRWN: CHEN103 CHKD: JKACHLIC REV / APPR: JKACHLIC	GENERAL TOLERANCES (UNLESS SPECIFIED)		DIMENSION UNITS		SCALE		molex			
			MM		10:1					
	4 PLACES	±	MM	INCH	DRWN BY	DATE	NANO PITCH I/O VERTICAL 4X			
	3 PLACES	±			MJANTELEZIO	2015/10/22				
	2 PLACES	± 0.13			CHK'D BY	DATE				
1 PLACES	± 0.25			APPR BY	DATE					
0 PLACES	±			MBANAKIS	2015/11/09					
		ANGULAR TOL = 0.5		DRAWING SIZE	THIRD ANGLE PROJECTION	PRODUCT CUSTOMER DRAWING				
		DRAFT WHERE APPLICABLE MUST REMAIN WITHIN DIMENSIONS		C		SERIES	MATERIAL NUMBER	CUSTOMER		
K1						171983	SEE CHART	GENERAL MARKET		
						DOCUMENT NUMBER		DOC TYPE	DOC PART	SHEET NUMBER
						SD-171983-1000		PSD	001	2 OF 7

42 CIRCUIT SMT ASSEMBLY



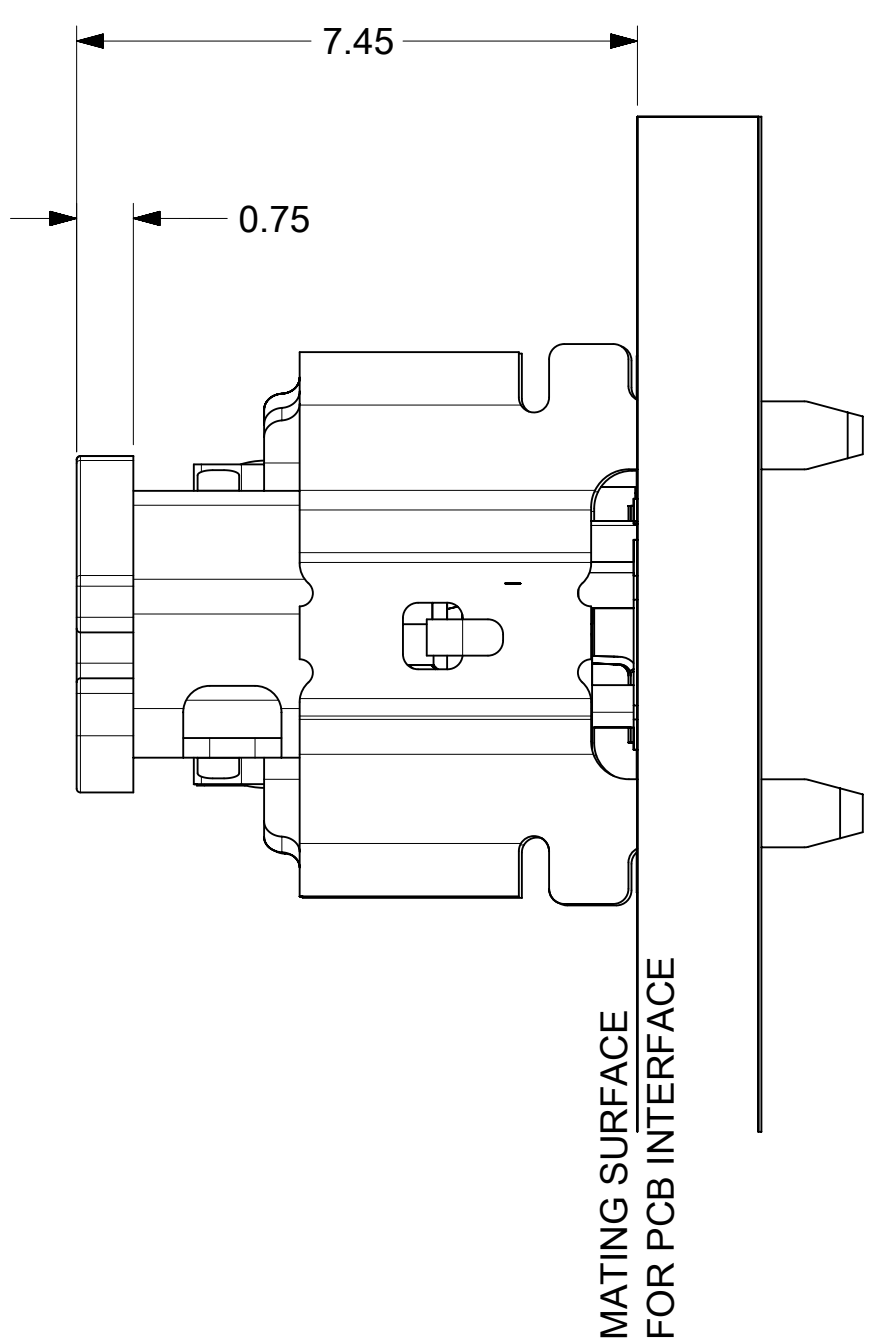
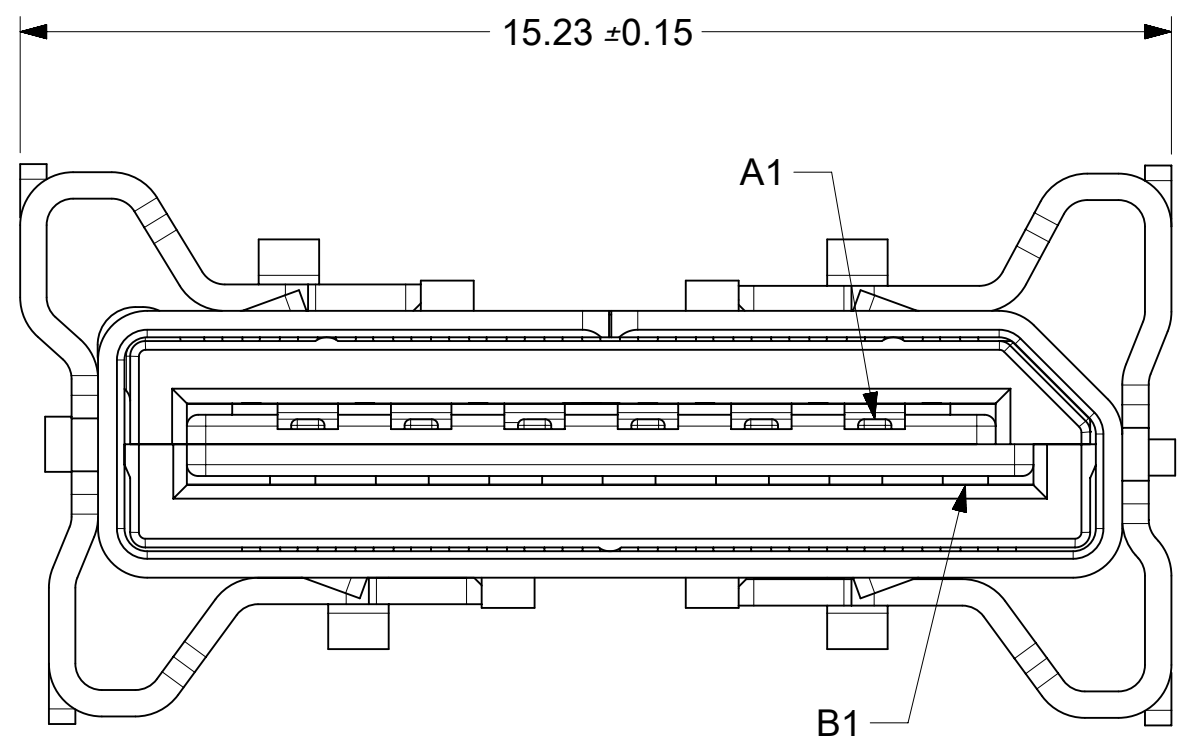
WITH CAP



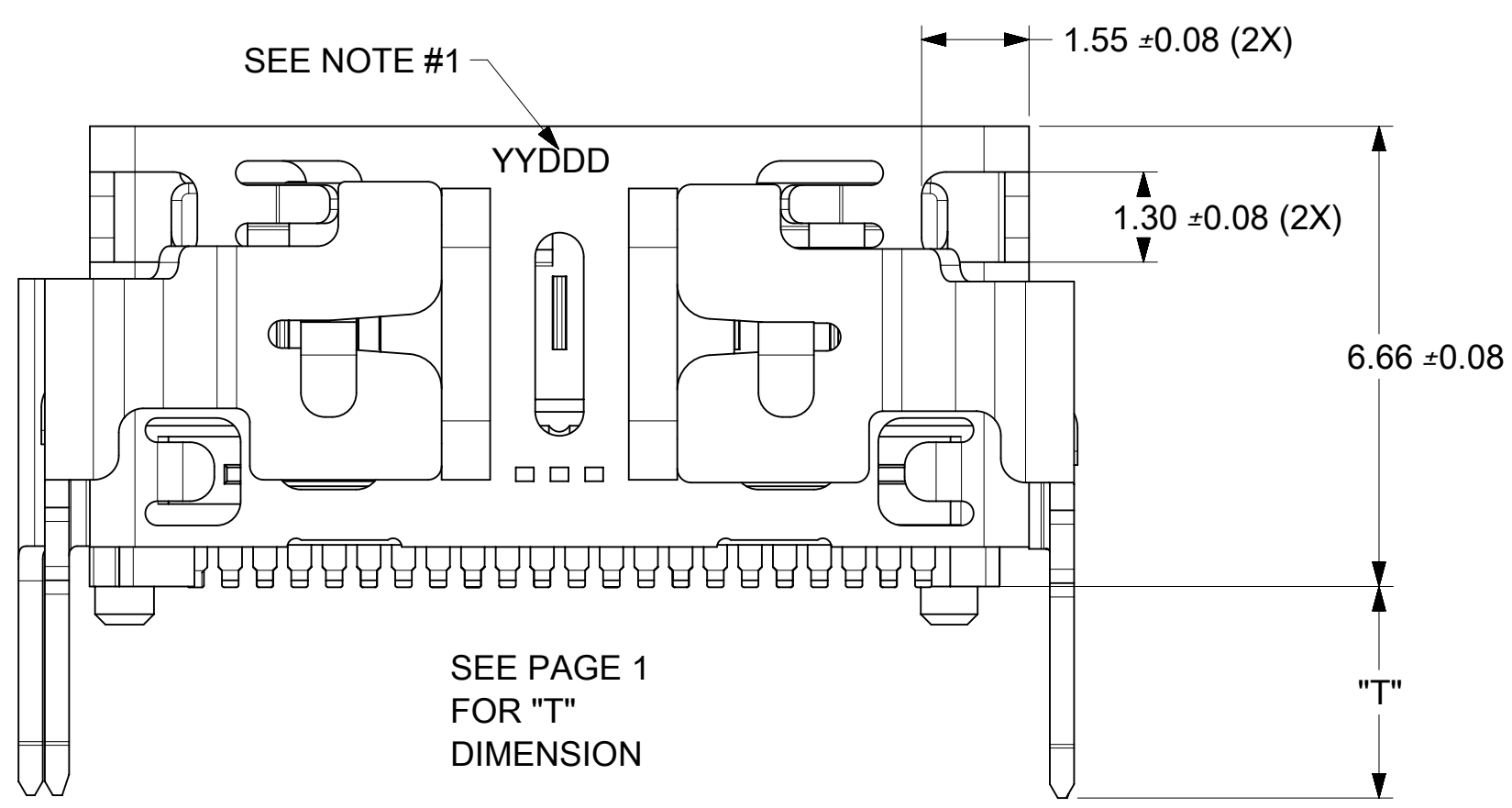
- NOTES:**
1. PLANT CODE, MANUFACTURED DATE CODE (JULIAN CALENDAR) AND PART NUMBER
 2. SOLDER TAIL COPLANARITY 0.10 MAX

THIS DRAWING CONTAINS INFORMATION THAT IS PROPRIETARY TO MOLEX ELECTRONIC TECHNOLOGIES, LLC AND SHOULD NOT BE USED WITHOUT WRITTEN PERMISSION										
MIGRATED TO NX EC NO: 610015 DRWN: CCHEN103 CHKD: JKACHLIC REV / APPR: JKACHLIC	2018/09/14	2019/01/16	2019/01/16	GENERAL TOLERANCES (UNLESS SPECIFIED)		DIMENSION UNITS	SCALE	molex		
				MM	INCH	MM	8:1			
	4 PLACES	±	±			DRWN BY	DATE	NANO PITCH I/O VERTICAL 4X		
	3 PLACES	±	±			MJANTELEZIO	2015/10/22			
	2 PLACES	±	0.13	±			CHK'D BY			
1 PLACES	±	0.25	±			APPR BY	DATE			
0 PLACES	±	±			MBANAKIS	2015/11/09	PRODUCT CUSTOMER DRAWING			
ANGULAR TOL = 0.5				DRAFT WHERE APPLICABLE MUST REMAIN WITHIN DIMENSIONS		DRAWING SIZE	THIRD ANGLE PROJECTION	SERIES	MATERIAL NUMBER	CUSTOMER
C		C		171983	SEE CHART	GENERAL MARKET				
DOCUMENT NUMBER								DOC TYPE	DOC PART	SHEET NUMBER
SD-171983-1000								PSD	001	3 OF 7

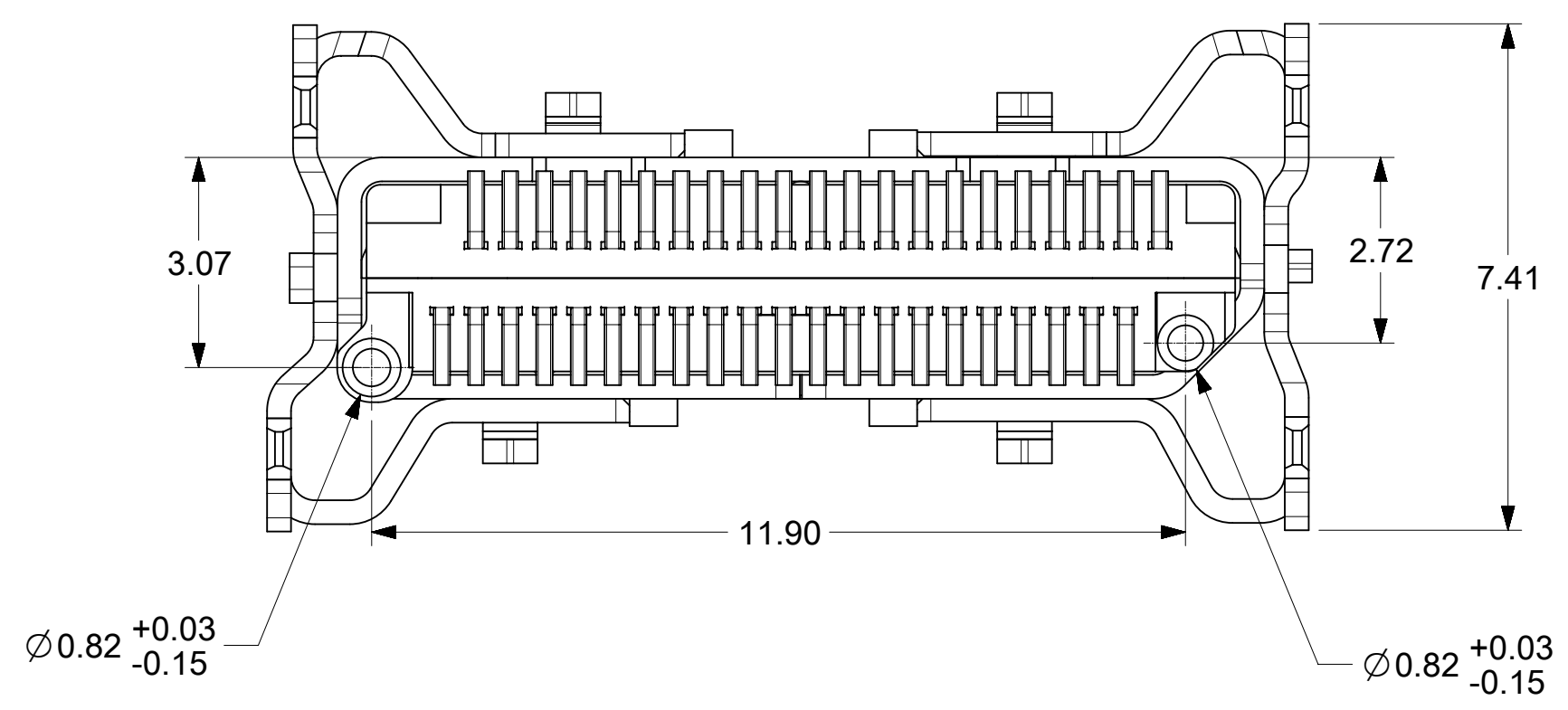
42 CIRCUIT XD ASSEMBLY



WITH CAP



- NOTES:
 1. MANUFACTURED DATE CODE (JULIAN CALENDAR)
 2. SOLDER TAIL COPLANARITY 0.10 MAX



THIS DRAWING CONTAINS INFORMATION THAT IS PROPRIETARY TO MOLEX ELECTRONIC TECHNOLOGIES, LLC AND SHOULD NOT BE USED WITHOUT WRITTEN PERMISSION												
MIGRATED TO NX EC NO: 610015 DRWN: CCHEN103 CHKD: JKACHLIC REV / APPR: JKACHLIC	2018/09/14		2019/01/16		2019/01/16		GENERAL TOLERANCES (UNLESS SPECIFIED)		DIMENSION UNITS		SCALE	
							MM INCH		MM		10:1	
	4 PLACES ±		±		±				DRWN BY		DATE	
	3 PLACES ±		±		±				MJANTELEZIO		2015/10/22	
	2 PLACES ±		0.13 ±		±				CHK'D BY		DATE	
1 PLACES ±		0.25 ±		±				APPR BY		DATE		
0 PLACES ±		±		±				MBANAKIS		2015/11/09		
		ANGULAR TOL ±		0.5				DRAWING SIZE		THIRD ANGLE PROJECTION		
		DRAFT WHERE APPLICABLE		MUST REMAIN		WITHIN DIMENSIONS		C				
K1			REV / APPR: JKACHLIC									
RELEASE STATUS			P1			RELEASE DATE			2019/01/16 08:27:42			
12			11			10			1			

molex

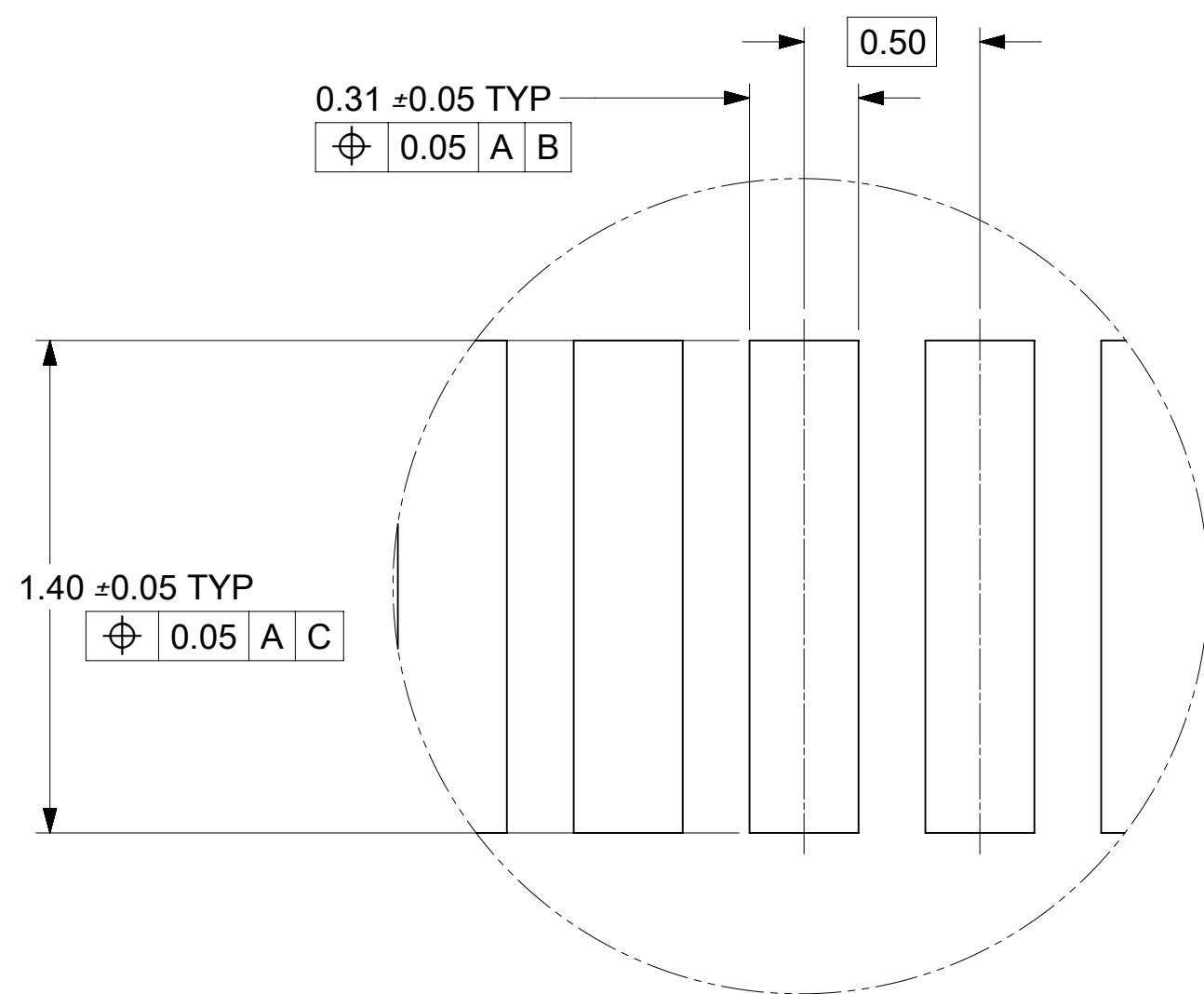
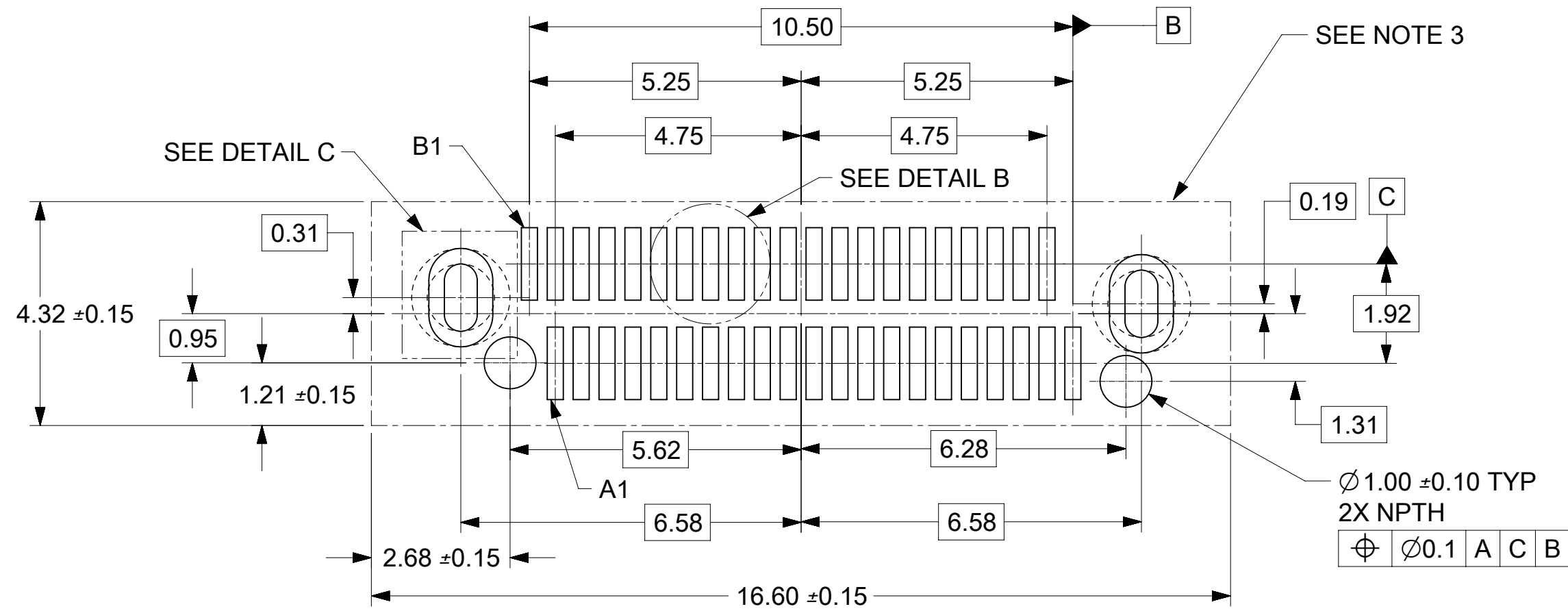
NANO PITCH I/O
VERTICAL 4X

PRODUCT CUSTOMER DRAWING

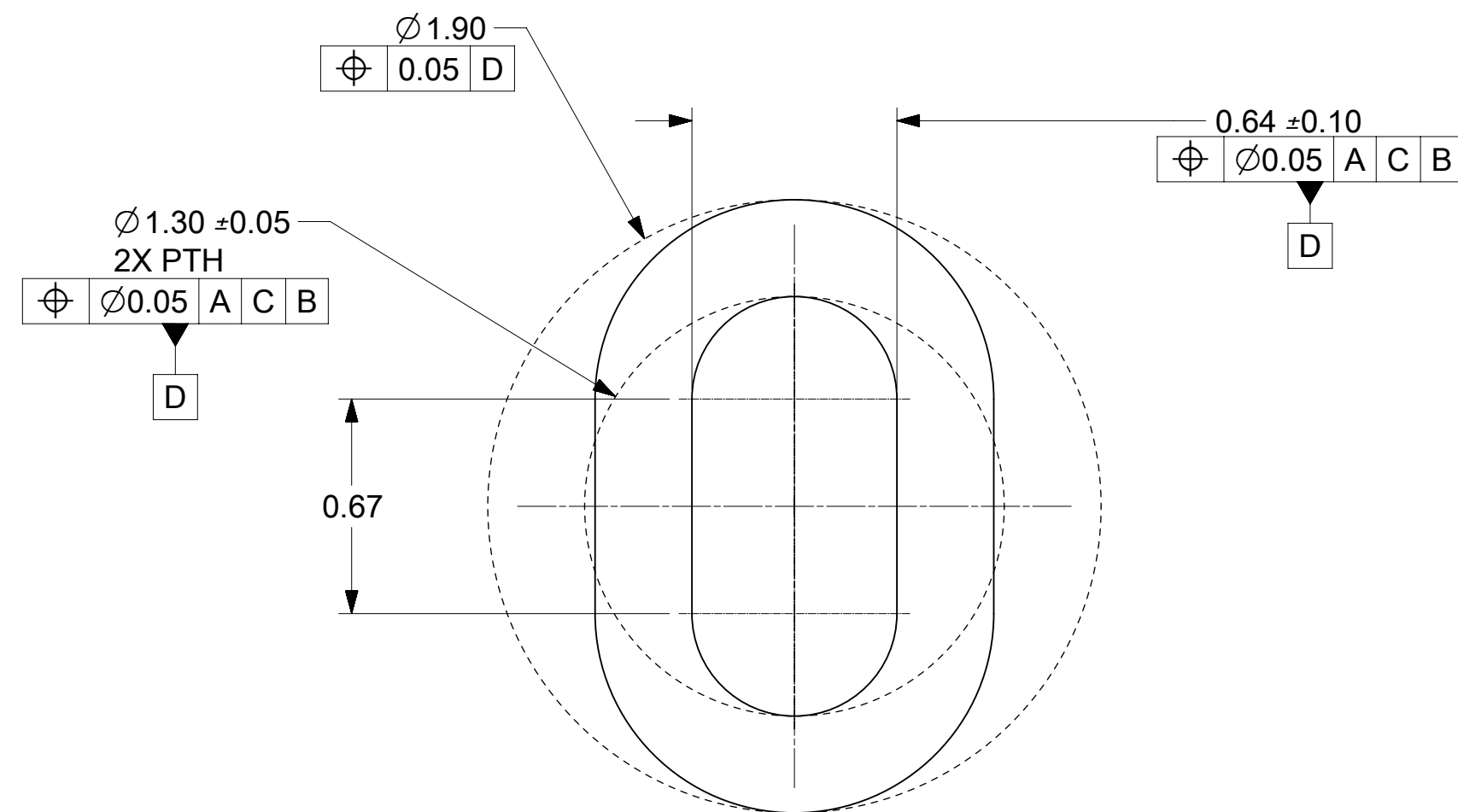
SERIES	MATERIAL NUMBER	CUSTOMER
171983	SEE CHART	GENERAL MARKET

DOCUMENT NUMBER	DOC TYPE	DOC PART	SHEET NUMBER
SD-171983-1000	PSD	001	4 OF 7

42 CIRCUIT TAIL RECOMMENDED FOOTPRINT



DETAIL B
SCALE 50:1



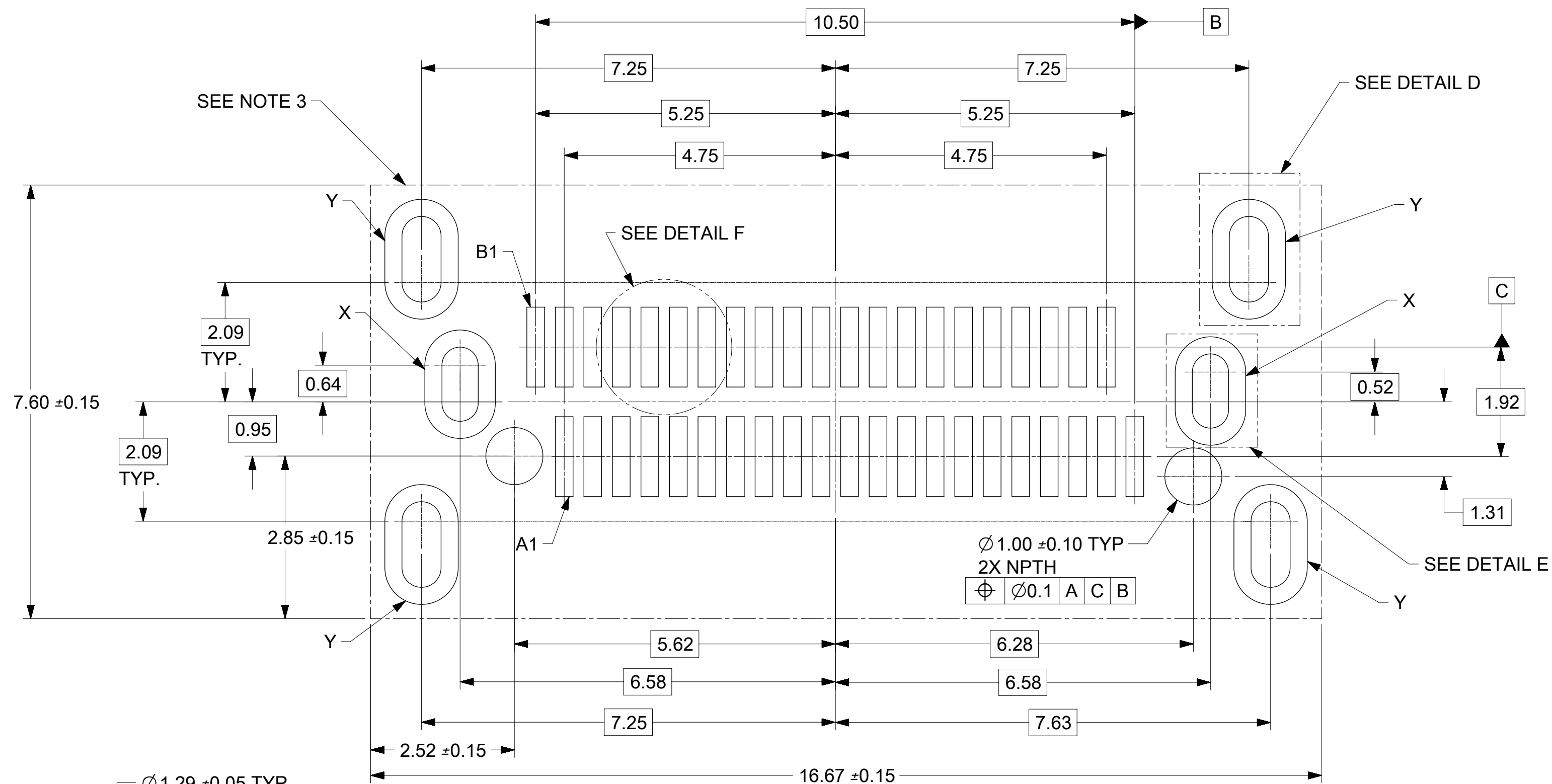
DETAIL C
SCALE 50:1

NOTES:

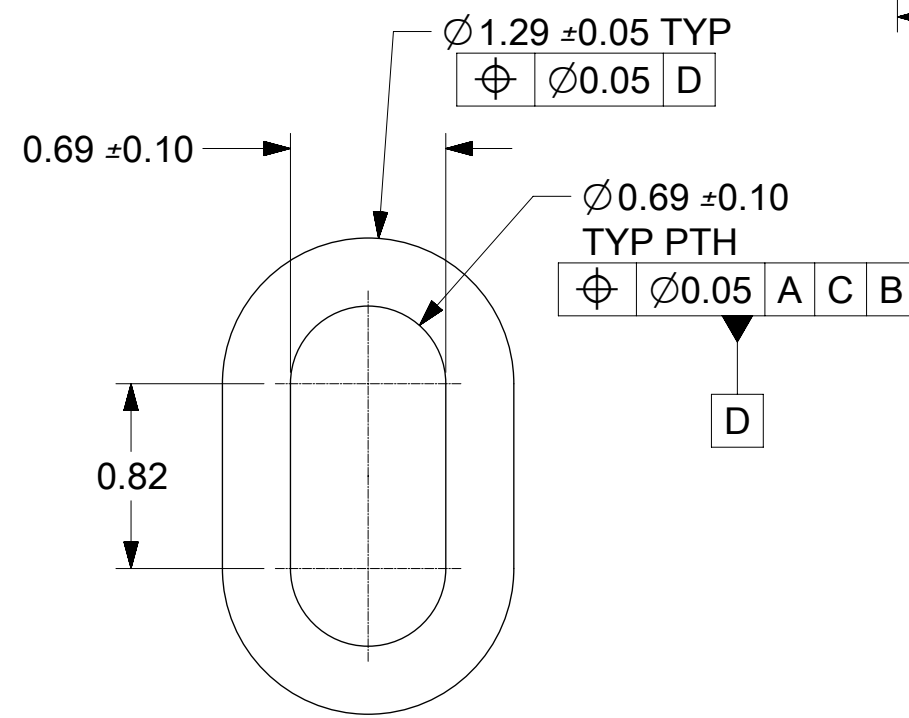
1. MINIMUM RECOMMENDED SPACING BETWEEN ADJACENT CONNECTORS IS 19.05mm
2. MINIMUM RECOMMENDED PCB THICKNESS: 1.57mm
3. CONNECTOR KEEP OUT AREA
4. DATUM -A- ESTABLISHED FROM TOP SURFACE OF PCB

THIS DRAWING CONTAINS INFORMATION THAT IS PROPRIETARY TO MOLEX ELECTRONIC TECHNOLOGIES, LLC AND SHOULD NOT BE USED WITHOUT WRITTEN PERMISSION									
MIGRATED TO NX	2018/09/14	GENERAL TOLERANCES (UNLESS SPECIFIED)		DIMENSION UNITS		SCALE			
	2019/01/16	MM	INCH	MM		10:1			
	2019/01/16	4 PLACES	±	±	DRWN BY	DATE			
		3 PLACES	±	±	MJANTELEZIO	2015/10/22			
		2 PLACES	±	0.13	±	CHK'D BY	DATE		
	1 PLACES	±	0.25	±	APPR BY	DATE			
	0 PLACES	±	±	±	MBANAKIS	2015/11/09			
	ANGULAR TOL = 0.5			DRAWING SIZE	THIRD ANGLE PROJECTION				
	DRAFT WHERE APPLICABLE MUST REMAIN WITHIN DIMENSIONS			C					
EC NO: 610015	DRWN: CCHEN103	CHKD: JKACHLIC	REV / APPR: JKACHLIC	SERIES		MATERIAL NUMBER		CUSTOMER	
K1				171983	SEE CHART		GENERAL MARKET		
RELEASE STATUS				DOCUMENT NUMBER		DOC TYPE		SHEET NUMBER	
P1	2019/01/16	08:27:42	SD-171983-1000		PSD	001	5 OF 7		

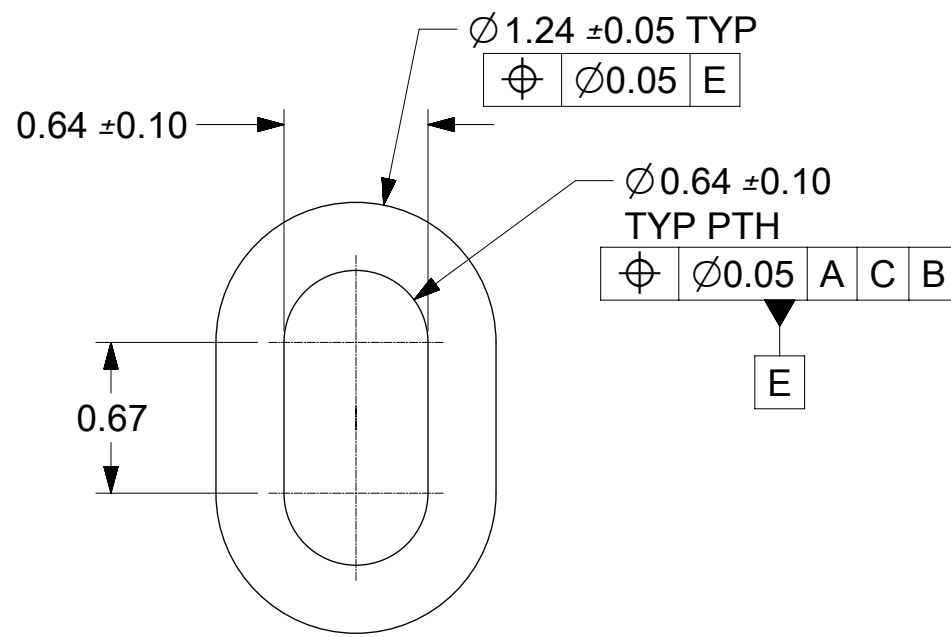
42 CIRCUIT COMMON TAIL/XD RECOMMENDED FOOTPRINT



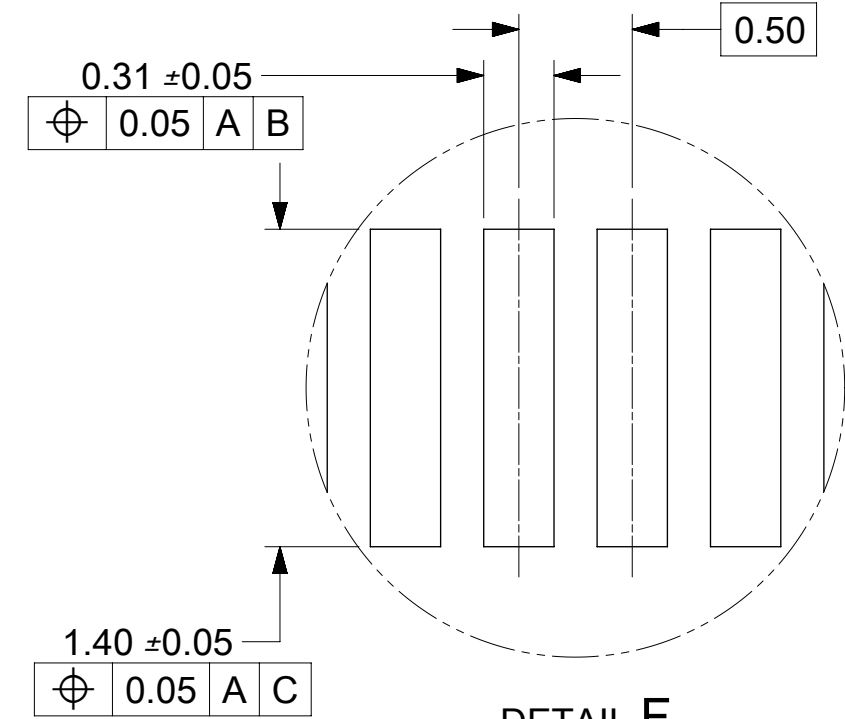
Ø1.00 ±0.10 TYP
2X NPTH
⊕ Ø0.1 A C B



DETAIL D
SCALE 30:1



DETAIL E
SCALE 30:1

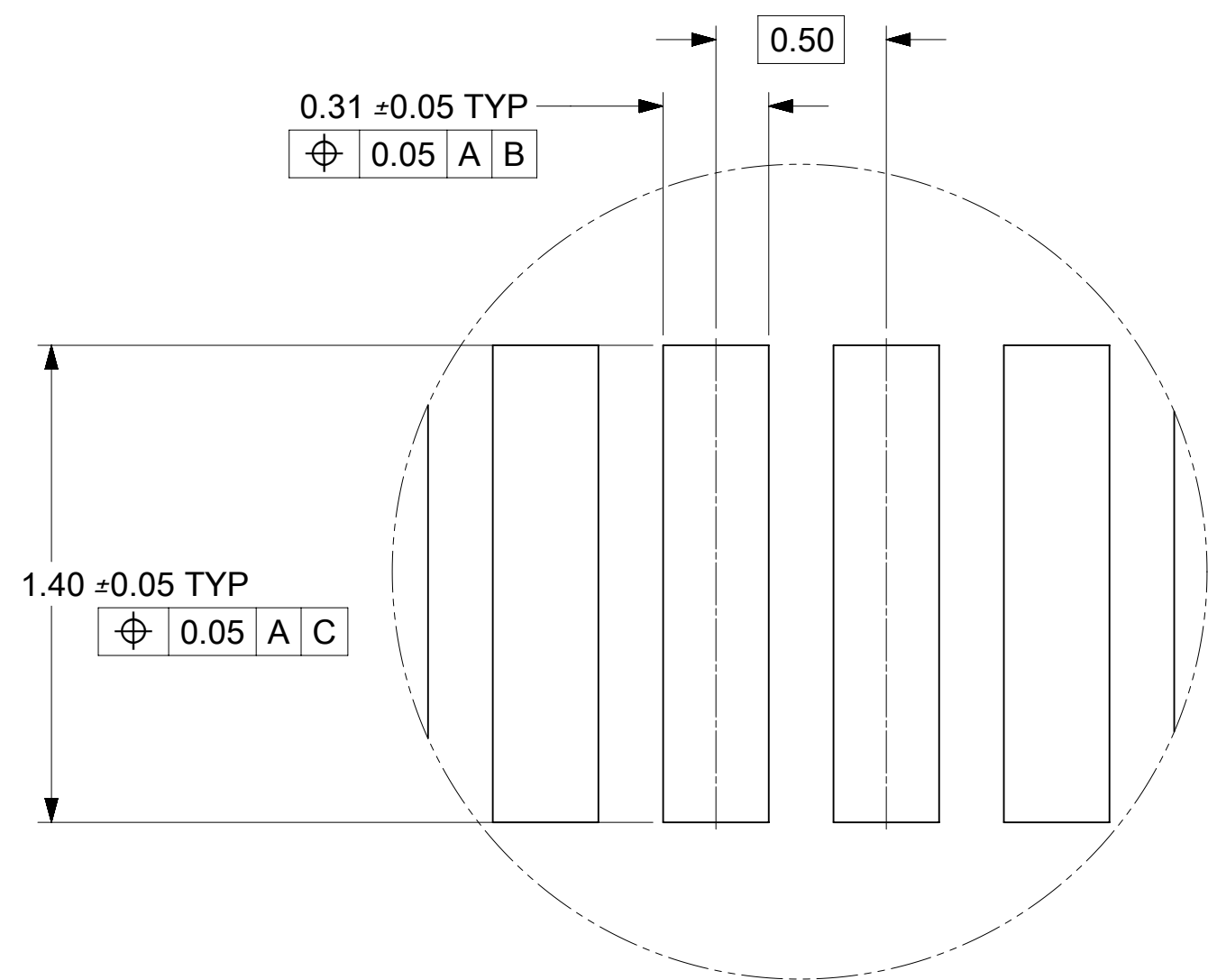
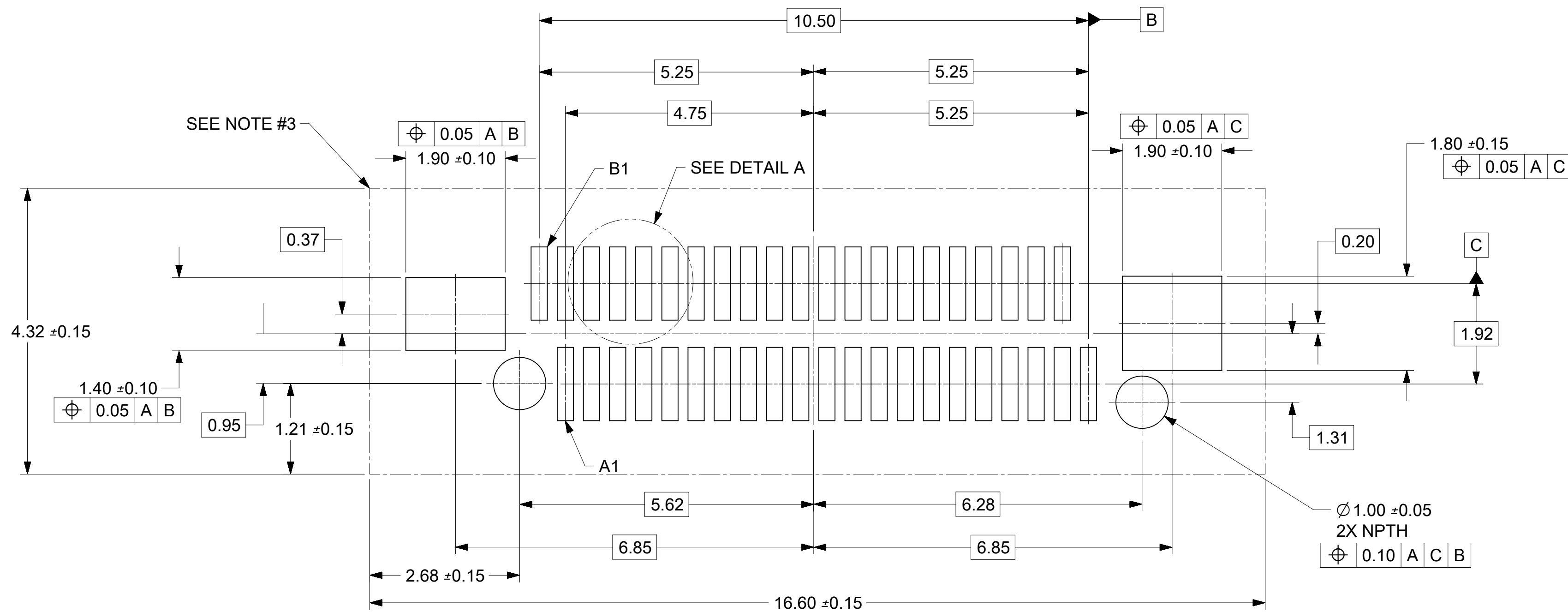


DETAIL F
SCALE 30:1

- NOTES:
1. MINIMUM RECOMMENDED SPACING BETWEEN ADJACENT CONNECTOR IS 19.05mm
 2. MINIMUM RECOMMENDED PCB THICKNESS: 1.57mm
 3. CONNECTOR KEEP OUT AREA
 4. DATUM -A- ESTABLISHED FROM TOP SURFACE OF PCB
 5. COMMON FOOTPRINT SHOWN FOR XD ONLY PATTERN USE ONLY PTH DENOTED "Y" FOR TH ONLY PATTERN USE ONLY PTH DENOTED "X"

THIS DRAWING CONTAINS INFORMATION THAT IS PROPRIETARY TO MOLEX ELECTRONIC TECHNOLOGIES, LLC AND SHOULD NOT BE USED WITHOUT WRITTEN PERMISSION							
MIGRATED TO NX EC NO: 610015 DRWN: CHEN103 CHKD: JKACHLIC REV / APPR: JKACHLIC	GENERAL TOLERANCES (UNLESS SPECIFIED)		DIMENSION UNITS	SCALE	<p>NANO PITCH I/O VERTICAL 4X</p> <p>PRODUCT CUSTOMER DRAWING</p>		
			MM	15:1			
	4 PLACES	±	±	DRWN BY		DATE	
	3 PLACES	±	±	MJANTELEZIO		2015/10/22	
	2 PLACES	±	0.13	CHK'D BY		DATE	
1 PLACES	±	0.25	APPR BY	DATE			
0 PLACES	±	±	MBANAKIS	2015/11/09			
ANGULAR TOL = 0.5		DRAWING SIZE	THIRD ANGLE PROJECTION		SERIES	MATERIAL NUMBER	CUSTOMER
DRAFT WHERE APPLICABLE MUST REMAIN WITHIN DIMENSIONS		C			171983	SEE CHART	GENERAL MARKET
				DOCUMENT NUMBER	DOC TYPE	DOC PART	SHEET NUMBER
				SD-171983-1000	PSD	001	6 OF 7

42 CIRCUIT SMT RECOMMENDED FOOTPRINT



DETAIL A
SCALE 50:1

NOTES:

1. MINIMUM RECOMMENDED SPACING BETWEEN ADJACENT CONNECTORS IS 19.05mm
2. MINIMUM RECOMMENDED PCB THICKNESS: 1.57mm
3. CONNECTOR KEEP OUT AREA
4. DATUM -A- ESTABLISHED FROM TOP SURFACE OF PCB

THIS DRAWING CONTAINS INFORMATION THAT IS PROPRIETARY TO MOLEX ELECTRONIC TECHNOLOGIES, LLC AND SHOULD NOT BE USED WITHOUT WRITTEN PERMISSION													
MIGRATED TO NX EC NO: 610015 DRWN: CHEN103 CHKD: JKACHLIC REV / APPR: JKACHLIC	2018/09/14		2019/01/16		2019/01/16		GENERAL TOLERANCES (UNLESS SPECIFIED)		DIMENSION UNITS		SCALE		
							MM INCH		MM		15:1		
	4 PLACES		±		±				DRWN BY		DATE		
	3 PLACES		±		±				MJANTELEZIO		2015/10/22		
	2 PLACES		±		0.13		±		CHK'D BY		DATE		
1 PLACES		±		0.25		±		APPR BY		DATE			
0 PLACES		±				±		MBANAKIS		2015/11/09			
						ANGULAR TOL = 0.5		DRAWING SIZE		THIRD ANGLE PROJECTION			
						DRAFT WHERE APPLICABLE MUST REMAIN WITHIN DIMENSIONS		C					
RELEASE STATUS			P1	RELEASE DATE		2019/01/16	08:27:42						
								NANO PITCH I/O VERTICAL 4X					
								PRODUCT CUSTOMER DRAWING					
								SERIES	MATERIAL NUMBER		CUSTOMER		
								171983	SEE CHART		GENERAL MARKET		
									DOCUMENT NUMBER		DOC TYPE	DOC PART	SHEET NUMBER
									SD-171983-1000		PSD	001	7 OF 7