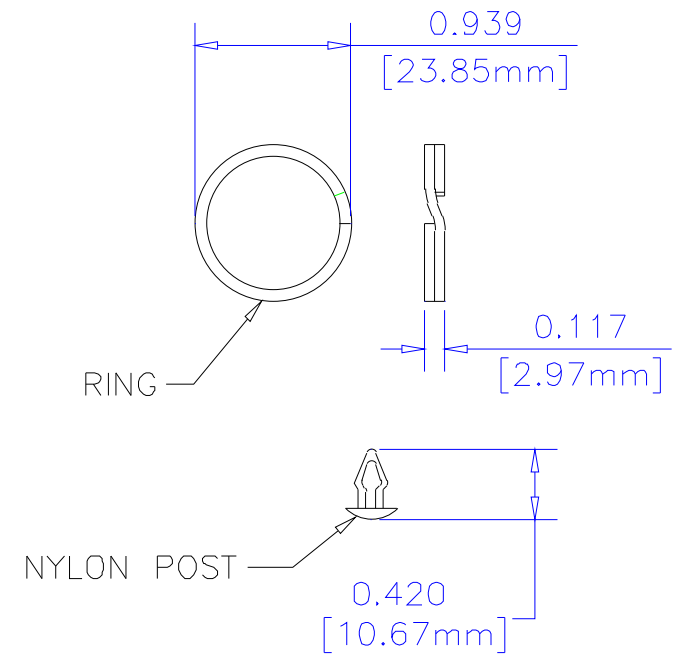
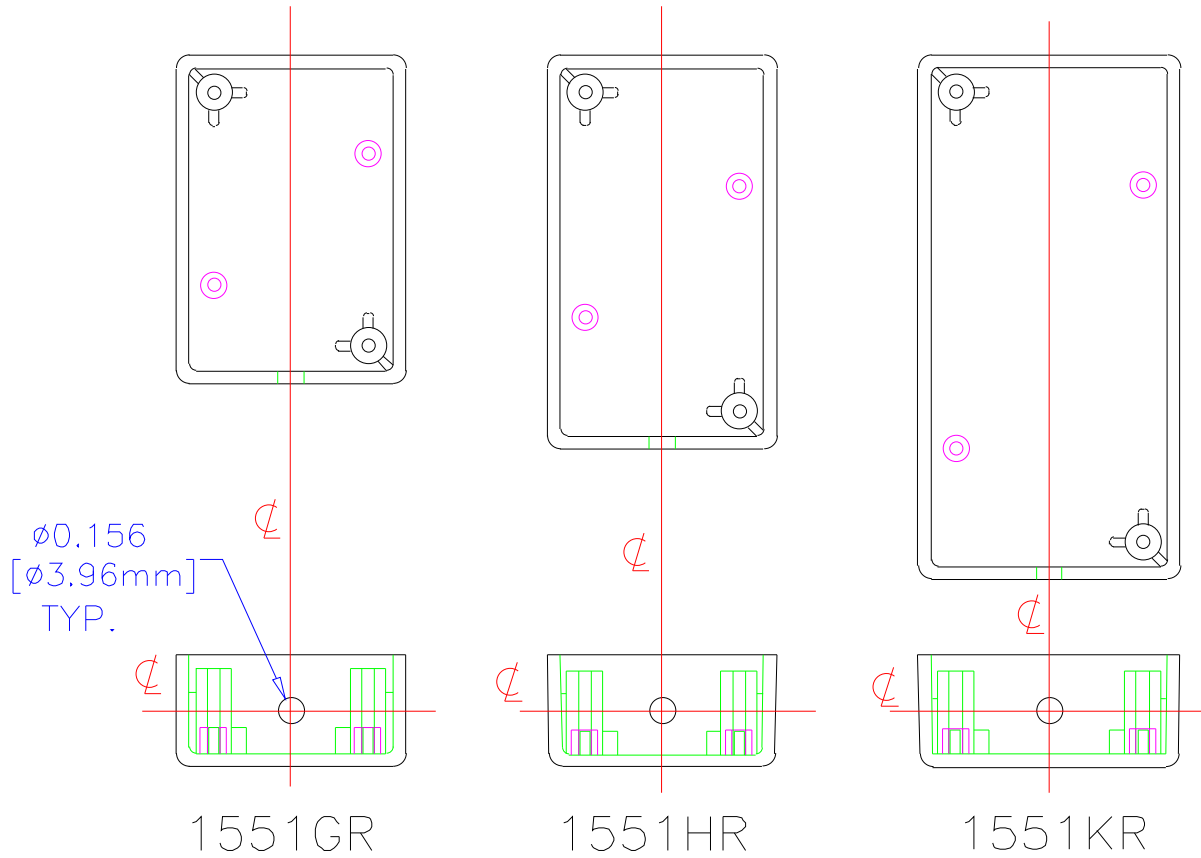


## NOTES

MATERIAL    BLACK NYLON POST, 3/4" PLATED STEEL RING  
 PARTS        ONE RING, ONE POST



FOR ENCLOSURE DETAIL SEE  
 THE ENCLOSURE DRAWINGS  
 1551G, 1551H, & 1551Y

UNLESS OTHERWISE SPECIFIED  
 DIMENSIONS ARE IN INCHES  
 X            +/- .1  
 XX        +/- .06  
 XXX      +/- .015  
 CUTS     +/- .005  
 ANGLES   +/- 5 DEG.

NOTICE  
 HAMMOND OWNS PROPRIETARY RIGHTS TO  
 THE MATERIAL ON THIS DRAWING. IT IS  
 INTENDED TO BE USED AS A REFERENCE FOR  
 ENGINEERING INFORMATION ONLY. THIS  
 INFORMATION MAY NOT BE USED TO  
 MANUFACTURE PRODUCT WITHOUT WRITTEN  
 PERMISSION FROM HAMMOND MANUFACTURING.



**HAMMOND  
 MANUFACTURING**

WEB: [WWW.HAMMONDMFG.COM](http://WWW.HAMMONDMFG.COM)

TITLE		HAMMOND 1551 SERIES PLASTIC ENCLOSURE	
DRAWN BY	MJM	DATE	01/30/01
SCALE		PAGE	1 OF 1
PART NUMBER		1427RK	