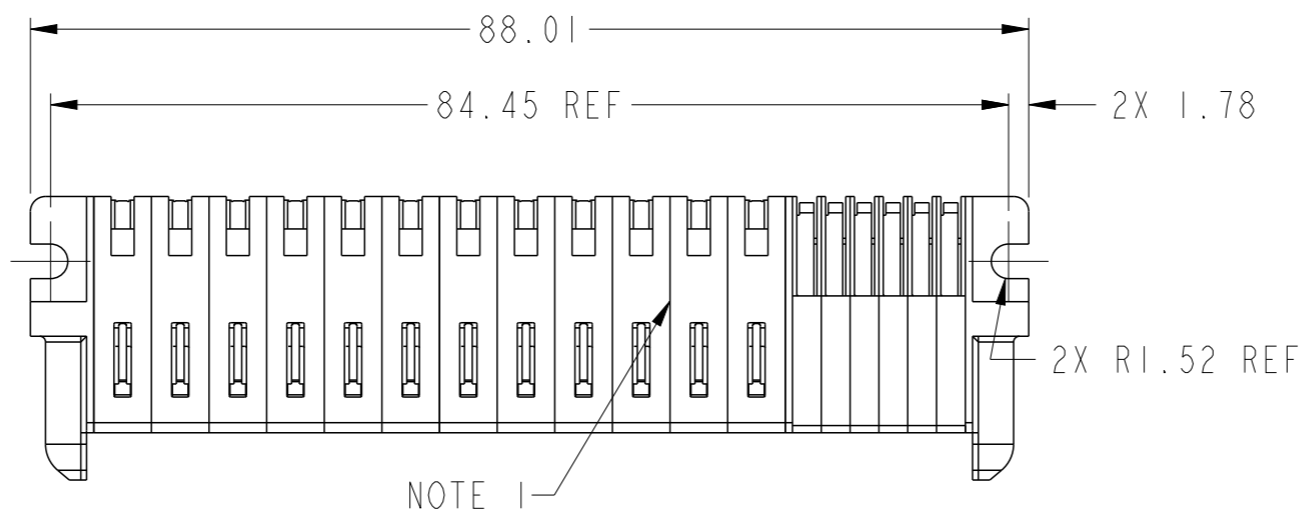
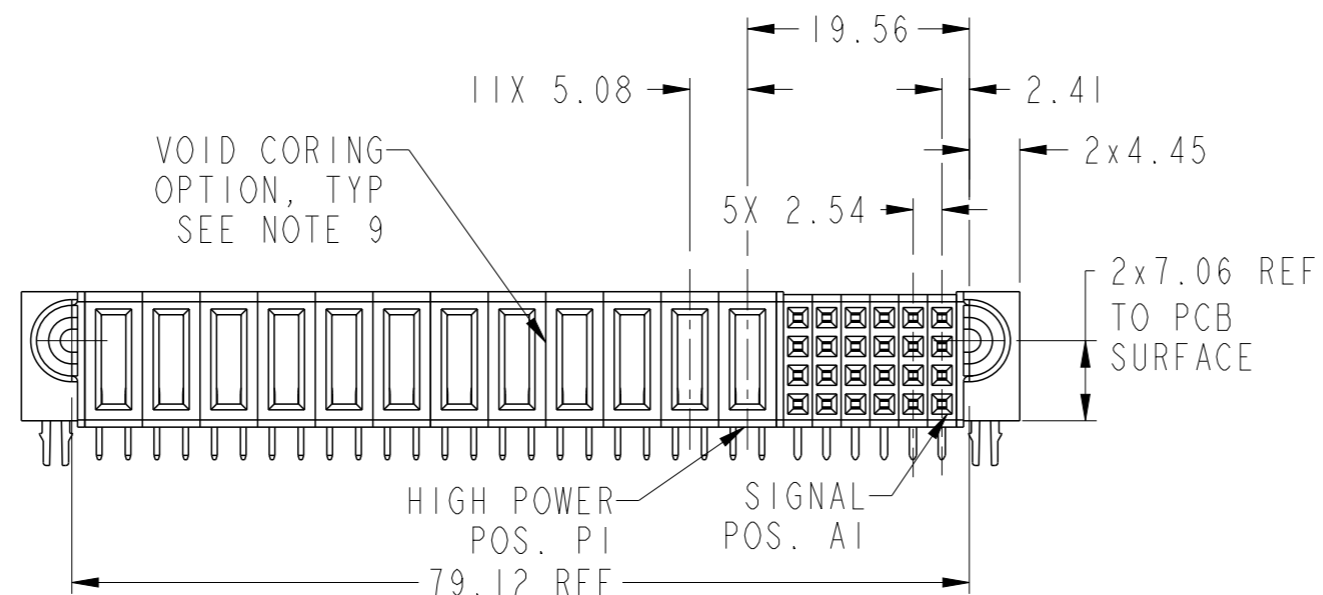


PRODUCT NUMBER SEE SHEET 2



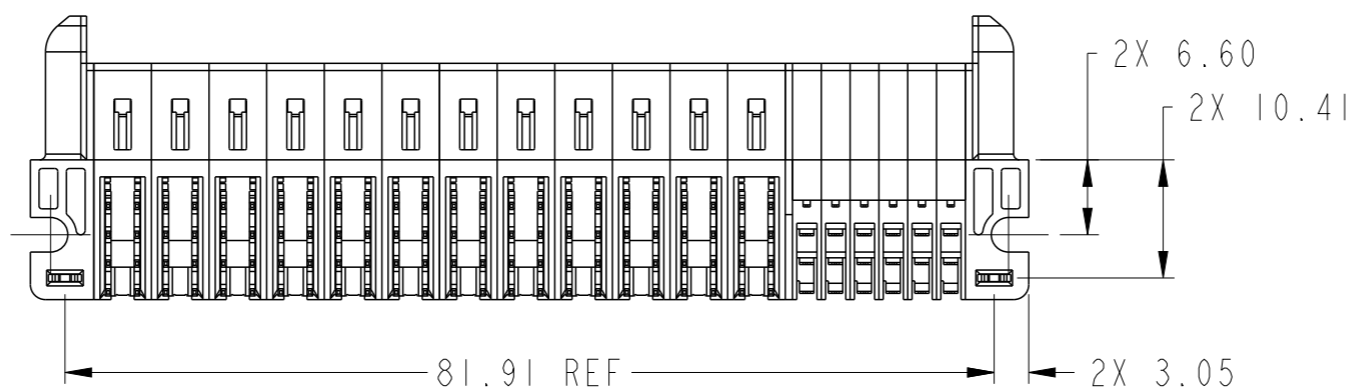
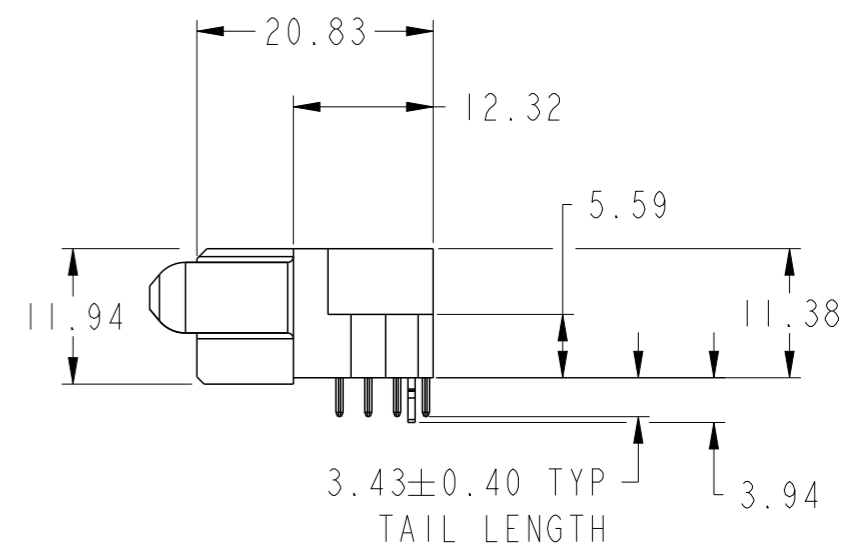
NOTE 1



VOID CORING  
OPTION, TYP  
SEE NOTE 9

HIGH POWER  
POS. P1

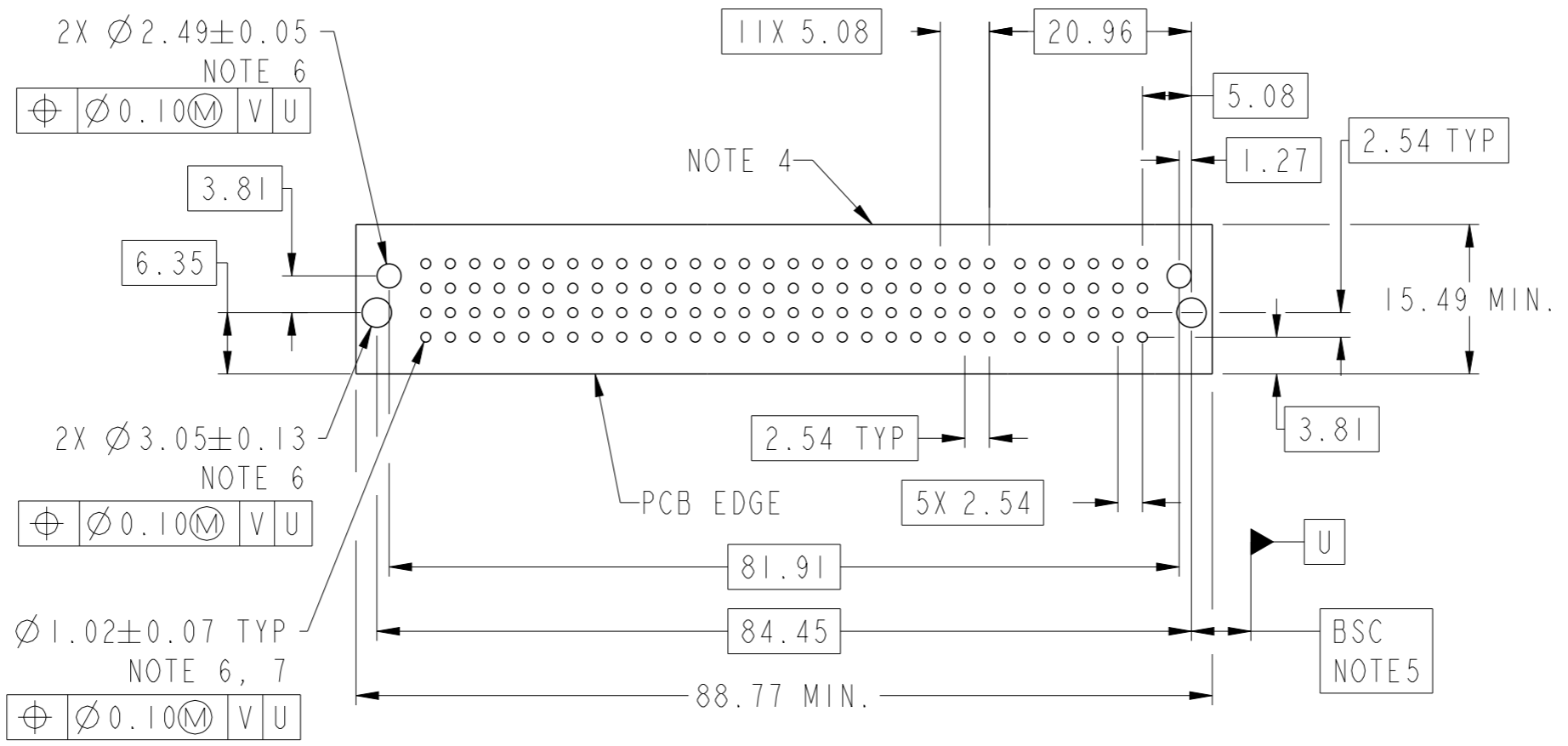
SIGNAL  
POS. A1



spec ref	*	dr	Xie Bob	2013/10/24	projection	MM	size	A3	scale	3:2
tolerance std	ASME Y14.5	eng	Xie Bob	2013/11/12			ecn no	-	rel level	Released
TOLERANCES UNLESS OTHERWISE SPECIFIED		chr	Li-He	2013/11/12						
surface	<input checked="" type="checkbox"/> linear <input type="checkbox"/> angular	appr	Pei-Ming Zheng	2013/11/12			24S+12HDP RA STB RECEPTACLE	dwg no 10106134-C006001	rev A	
ASME Y14.5	linear: 0.X ±0.5, 0.XX ±0.25, 0.XXX ±0.10 angular: 0° ±2°	www.fci.com		cat. no.	Product - Customer Drw		sheet 1 of 3			

PRODUCT NO. 10106134-C006001LF	ROWS DCBA	HIGH POWER													SIGNAL						
		E1	P12	P11	P10	P9	P8	P7	P6	P5	P4	P3	P2	P1	6	5	4	3	2	1	E2

CODE	DESCRIPTION
E	STD SIGNAL CONTACT, ROW A
F	STD SIGNAL CONTACT, ROW B
G	STD SIGNAL CONTACT, ROW C
H	STD SIGNAL CONTACT, ROW D
H3	STD HIGH POWER CONTACT(3.43)
HA	METAL HOLD DOWN



dr	Xie Bob	2013/10/24	projection	MM	size	A3	scale	3:2
eng	Xie Bob	2013/11/12			ecn no		-	
chr	Li-He	2013/11/12			rel level		Released	
appr	Pei-Ming Zheng	2013/11/12	product family		PwrBlade+			

	title	24S+12HDP	dwg no	10106134-C006001	rev	A
		cat. no.	Product - Customer Drw	sheet 2 of 3		

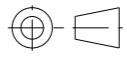
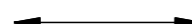

Copyright FCI.

NOTES:

- 1) "FCI", PART NUMBER AND DATE CODE TO BE MARKED ON THIS SURFACE.  
THE MARK CAN BE OMITTED IF THERE IS NOT ENOUGH SPACE ON THIS SURFACE.
- 2) MATERIALS:  
-HOUSING - GLASS FILLED WITH HIGH TEMP THERMOPLASTIC, UL94V-0.  
-SIGNAL CONTACT - COPPER ALLOY.  
-POWER CONTACT - HIGH CONDUCTIVITY COPPER ALLOY.
- 3) PLATING SPECIFICATION REFER TO FCI 10116351
- 4) DENOTES CONNECTOR KEEP OUT ZONE.
- 5) DATUM AND BASIC DIMENIONS WERE ESTABLISHED BY CUSTOMER.
- 6) ALL HOLE DIAMETERS ARE FINISHED HOLE SIZES.
- 7)  $1.15 \pm 0.025$ MM DRILLED HOLE PLATED WITH 0.00762MM MIN Sn  
OVER 0.0254-0.0762MM Cu PLATING TO ACHIEVE A  $1.02 \pm 0.07$ MM HOLE.
- 8) PRODUCT SPECIFICATION REFER TO FCI GS-12-658.  
APPLICATION SPECIFICATION REFER TO FCI GS-20-141.  
PRODUCT PACKAGED IN TRAYS, REFER TO FCI GS-14-1502.
- 9) THE VOID CORING IN BETWEEN POWER MODULES, SIGNAL  
MODULES AND END MODULES ARE OPTIONAL AND THE SHAPE  
MAY BE DIFFERENT FOR OPTIMIZE THE MOLDING PROCESS. THE  
VOID CORING WILL NOT EFFECT TO PRODUCT FUNCTION.



Copyright FCI.

dr	Xie Bob	2013/10/24	projection 	MM 	size	A3	scale	3:2
eng	Xie Bob	2013/11/12			ecn no	-		
chr	Li-He	2013/11/12			rel level	Released		
appr	Pei-Ming Zheng	2013/11/12	product family	PwrBlade+				
		title 24S+12HDP RA STB RECEPTACLE		dwg no 10106134-C006001	rev A			
www.fci.com		cat. no.	Product - Customer Drw		sheet 3 of 3			