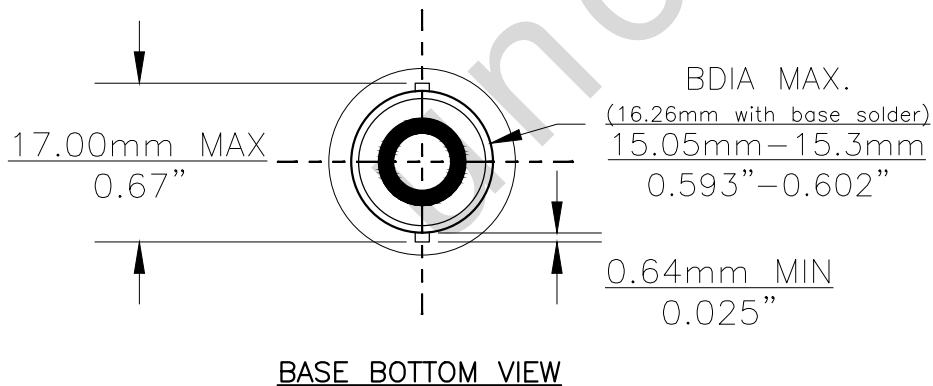
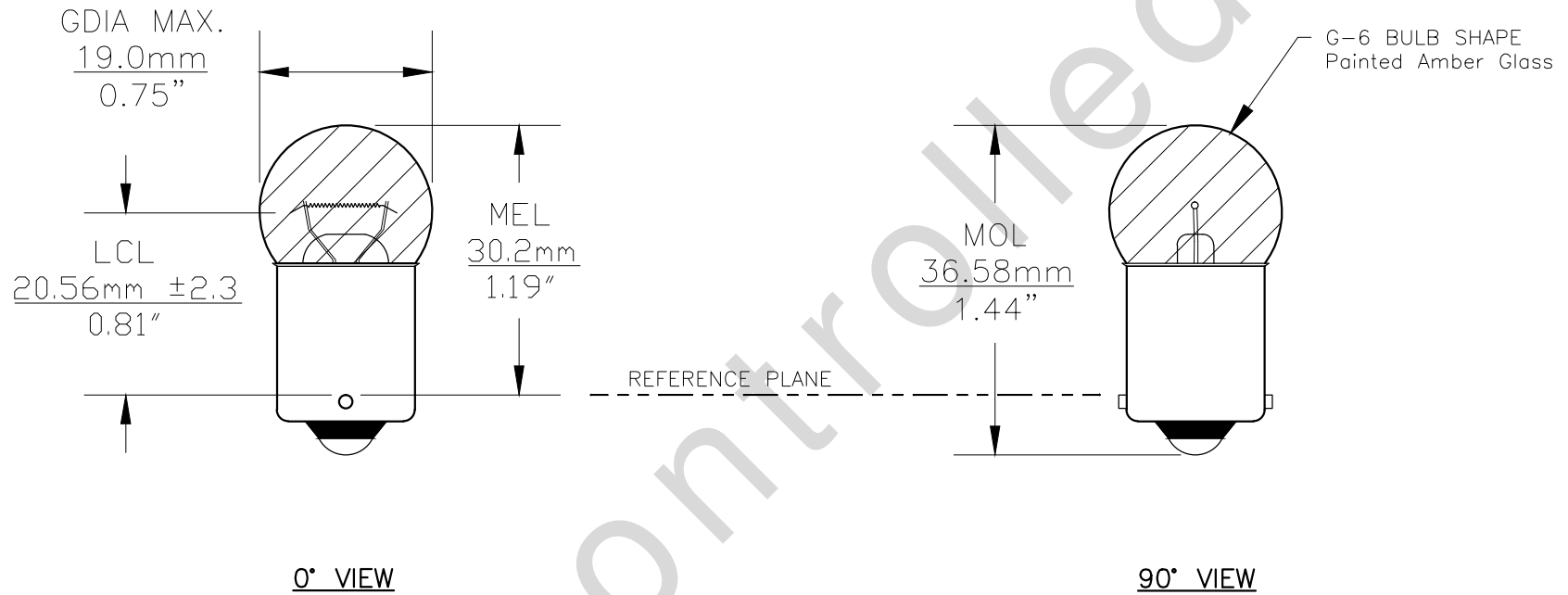




PART NO.	BASE TYPE	DESIGN VOLTS	DESIGN AMPS	MSCD	FILAMENT TYPE	AVERAGE LIFE HOURS	REVISIONS			
							REV #	DESCRIPTION	DATE	APPROVED
67A	S.C. BAYONET (BA15s)	13.5V	0.59 ±8%	3 ±15%	C-6	5000	1	ISSUED	05/16/2018	R.M.



Note: Made according to SAE specifications

UNLESS OTHERWISE SPECIFIED: DIMENSIONS ARE IN INCHES TOLERANCES		CEC INDUSTRIES LTD	
DECIMALS .XX ± .05	ANGULAR .XXX ± .010	599 BOND STREET	LINCOLNSHIRE, IL 60069
FRACTIONAL ±1/64		TITLE LIGHT BULB NO. 67A	
DRAWN ROSE MEDINA	DATE 05/16/2018	SIZE A	FSCM NO. 67A
CHECKED		DWG NO. 67A	REV 1
DESIGN	SCALE	PLOT SCALE	SHEET 1 OF 1
MATERIAL	FILE 67A.pdf	DRAWING NOT TO SCALE	