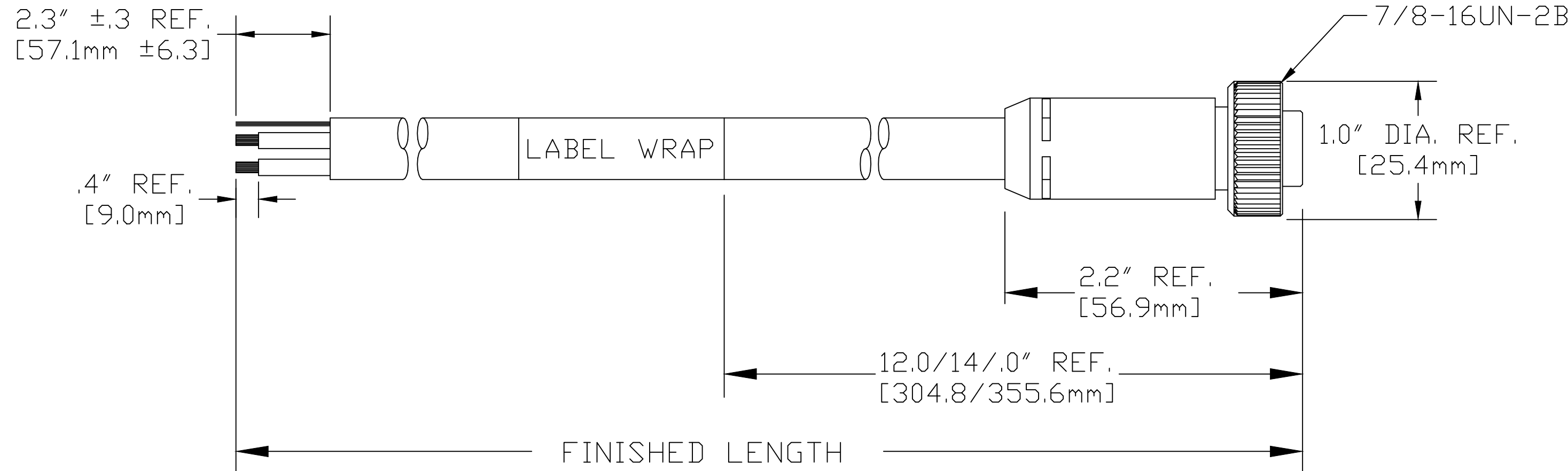


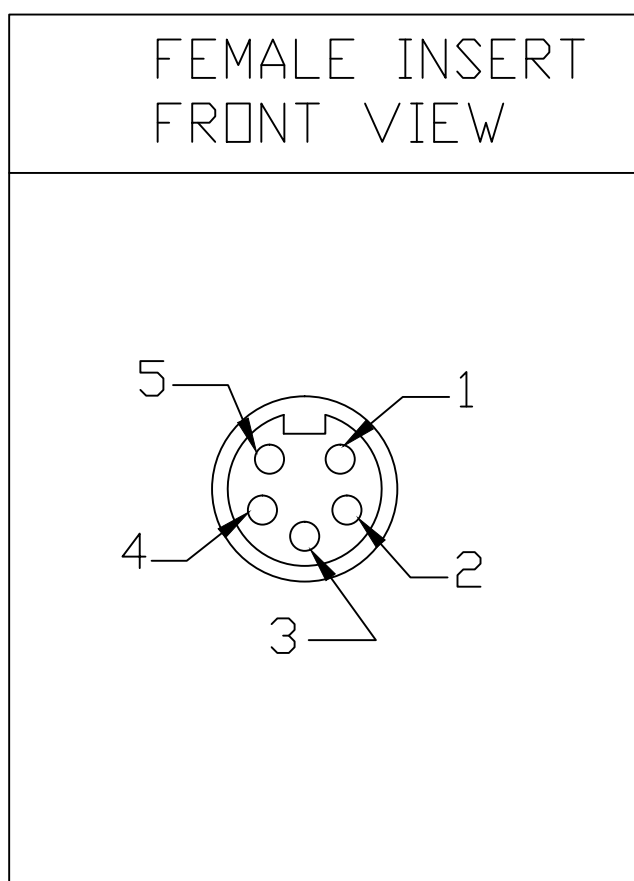
13	12	11	10	9	8	7	6	5	4	3	2	1
<b>MATERIAL NUMBER</b>	<b>OLD PART NUMBER</b>	<b>FINISHED LENGTH</b>										
1300240260	DNE10A-M010	3.28' +3.50" -0 [1.0M +88.9mm -0]										



### DNE10A-M010

Cable type  
DEVICENET  
TRAY-RATED

cable length  
M010----1 Meter  
M100----10 Meter



CONTACT:	GOLD/NICKEL OVER COPPER ALLOY
INSERT:	PVC, GRAY
COUPLING NUT:	ZINC DIE CAST, BLACK E-COATED
MOLDED BODY:	PVC, GRAY
VOLTAGE RATING:	600 VAC/VDC
AMPERAGE RATING:	8 AMPS
PROTECTION:	IP67
OPERATING TEMPERATURE:	-20°C TO 75°C
CERTIFICATIONS:	UL RECOGNIZED FILE NO. E152210 CSA CERTIFIED FILE NO. LR6837

1	DRAIN
2	RED
3	BLACK
4	WHITE
5	BLUE

WIRING DIAGRAM

INITIAL RELEASE EC NO: IPG2014-0457 DRWN: GGUSTAFS 2013/09/03 CH'KD: BARDEN APPR: BWOODMAN 2013/10/07 REV A	QUALITY SYMBOL ▽=0 ▽C=0	GENERAL TOLERANCES (UNLESS SPECIFIED)	DIMENSION STYLE IN/MM	SCALE NTS	DESIGN UNITS INCH	THIRD ANGLE PROJECTION															
		<table border="1"> <tr> <td></td> <td>mm</td> <td>INCH</td> </tr> <tr> <td>4 PLACES</td> <td>±---</td> <td>±---</td> </tr> <tr> <td>3 PLACES</td> <td>±---</td> <td>±.005</td> </tr> <tr> <td>2 PLACES</td> <td>±0.13</td> <td>±.010</td> </tr> <tr> <td>1 PLACE</td> <td>±0.25</td> <td>±.020</td> </tr> </table>		mm	INCH	4 PLACES	±---	±---	3 PLACES	±---	±.005	2 PLACES	±0.13	±.010	1 PLACE	±0.25	±.020	DRAWN BY DATE EBRACKEN 2013/06/18	TITLE <b>MINI-CHANGE DEVICENET 5 POLE ST FEMALE TRUNK CABLE 2TPR PVC</b>		
		mm	INCH																		
	4 PLACES	±---	±---																		
3 PLACES	±---	±.005																			
2 PLACES	±0.13	±.010																			
1 PLACE	±0.25	±.020																			
	ANGULAR ±.5°	CHECKED BY DATE BARDEN 2013/09/12	APPROVED BY DATE BWOODMAN 2013/10/07	MOLEX INCORPORATED																	
	DRAFT WHERE APPLICABLE MUST REMAIN WITHIN DIMENSIONS	MATERIAL NO. <b>SEE CHART</b>	DOCUMENT NO. <b>SD-130024-025</b>	SHEET NO. <b>1 OF 1</b>																	

THIS DRAWING CONTAINS INFORMATION THAT IS PROPRIETARY TO MOLEX INCORPORATED AND SHOULD NOT BE USED WITHOUT WRITTEN PERMISSION