

MOLEX P/N	LENGTH [M]	TOL [mm]	AWG
1003451056	0.5	±30	30
1003451106	1.0	±50	30
1003451156	1.5	±50	30
1003451206	2.0	±50	30
1003451256	2.5	±50	30
1003451306	3.0	±50	30
1003453156	1.5	±50	26
1003453306	3.0	±50	26
1003453506	5.0	±80	26

\*1.0m CABLES AND BELOW MAY NOT MEET ALL ELECTRICAL PARAMETER OF THE IEEE802.3bj AND IEEE802.3by

- NOTES:
- MATERIALS:  
 RAW CABLE- LOW SMOKE ZERO HALOGEN  
 BACKSHELLS - ZINC DIECAST WITH BRIGHT NICKEL PLATING  
 RIVETS - STAINLESS STEEL
  - IMPEDANCE - 100 OHMS DIFFERENTIAL
  - RoHS COMPLIANT, NO EXEMPTIONS
  - EEPROM SPEC IS COMPLIANT TO SFF 8636 REV 2.7 AT zQSFP+ END AND SFF 8472 REV 12.2 AT zSFP+ END
  - EEPROM MAP AVAILABLE UPON REQUEST

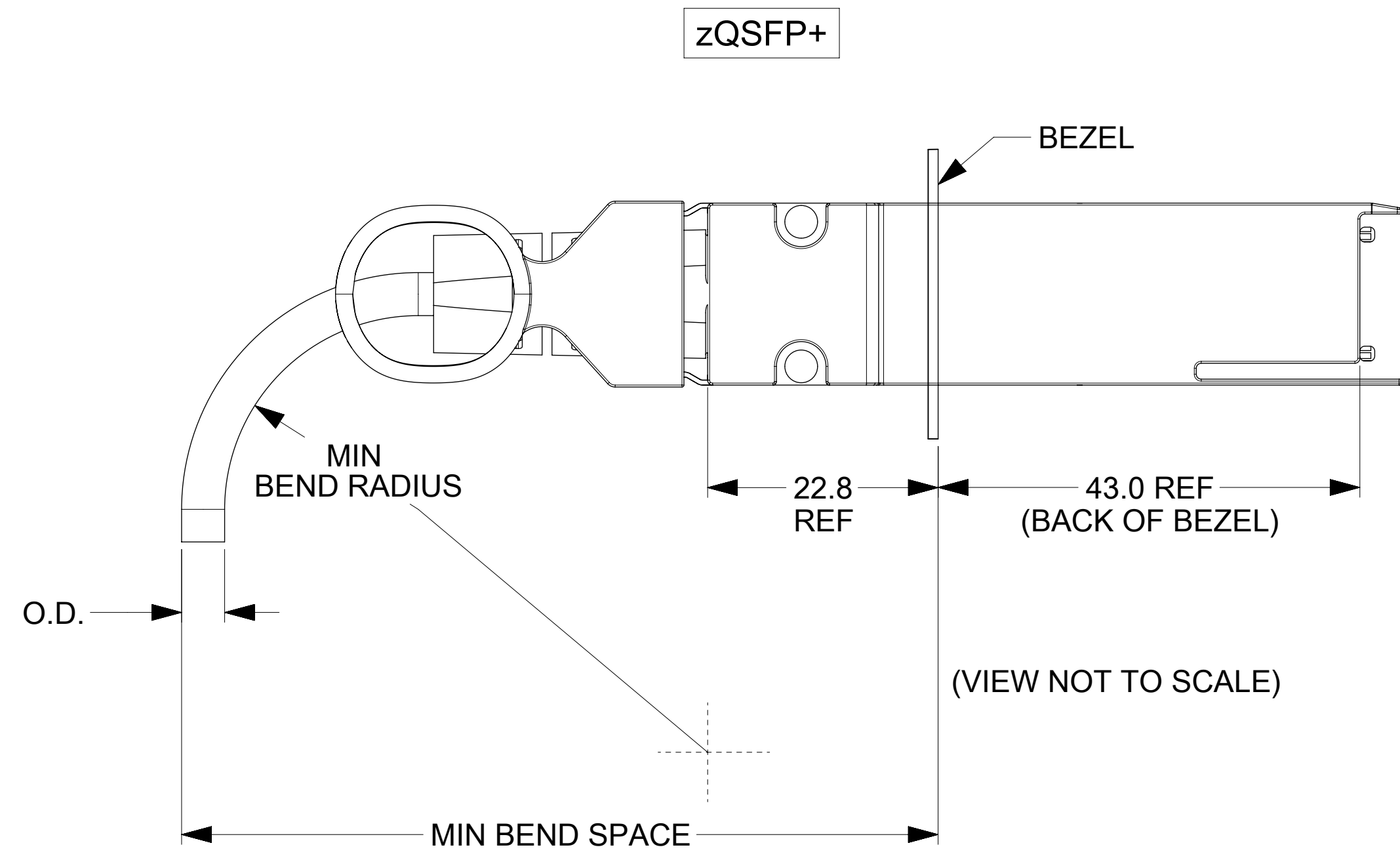
SYMBOLS	THIS DRAWING CONTAINS INFORMATION THAT IS PROPRIETARY TO MOLEX ELECTRONIC TECHNOLOGIES, LLC AND SHOULD NOT BE USED WITHOUT WRITTEN PERMISSION		CURRENT REV DESC: UPDATED LEG LABEL	
	DIMENSION UNITS	SCALE		
▽ = 0	mm			<b>molex</b> ZQSFP+ TO 4ZSFP+ 25G CBL ASSY
▽ = 0	GENERAL TOLERANCES (UNLESS SPECIFIED)			
▽ = 0	ANGULAR TOL ± 1.0°			PRODUCT CUSTOMER DRAWING
▽ = 0	4 PLACES ±			DOCUMENT NUMBER
▽ = 0	3 PLACES ±			DOC TYPE
▽ = 0	2 PLACES ± 0.13			DOC PART
▽ = 0	1 PLACE ± 0.25			REVISION
▽ = 0	0 PLACES ±			1003451056
⊠ = 0	DRAFT WHERE APPLICABLE MUST REMAIN WITHIN DIMENSIONS	THIRD ANGLE PROJECTION	DRAWING	SERIES
■ = 0		⊕	D-SIZE	100345
▽ = 0				SEE PN TABLE
		MATERIAL NUMBER	CUSTOMER	SHEET NUMBER
			GENERAL MARKET	1 OF 3

WIRING DIAGRAM				
zQSFP+		zSFP+		PLUG
PAD	SIGNAL	SIGNAL	PAD	
38	GND	----	GND	1
37	TX1-	--->	RD-	
36	TX1+	--->	RD+	
19	GND	----	GND	
17	RX1+	<---	TD+	2
18	RX1-	<---	TD-	
01	GND	----	GND	
02	TX2-	--->	RD-	
03	TX2+	--->	RD+	3
20	GND	----	GND	
22	RX2+	<---	TD+	
21	RX2-	<---	TD-	
35	GND	----	GND	4
34	TX3-	--->	RD-	
33	TX3+	--->	RD+	
16	GND	----	GND	
14	RX3+	<---	TD+	
15	RX3-	<---	TD-	
04	GND	----	GND	
05	TX4-	--->	RD-	
06	TX4+	--->	RD+	
23	GND	----	GND	
25	RX4+	<---	TD+	
24	RX4-	<---	TD-	

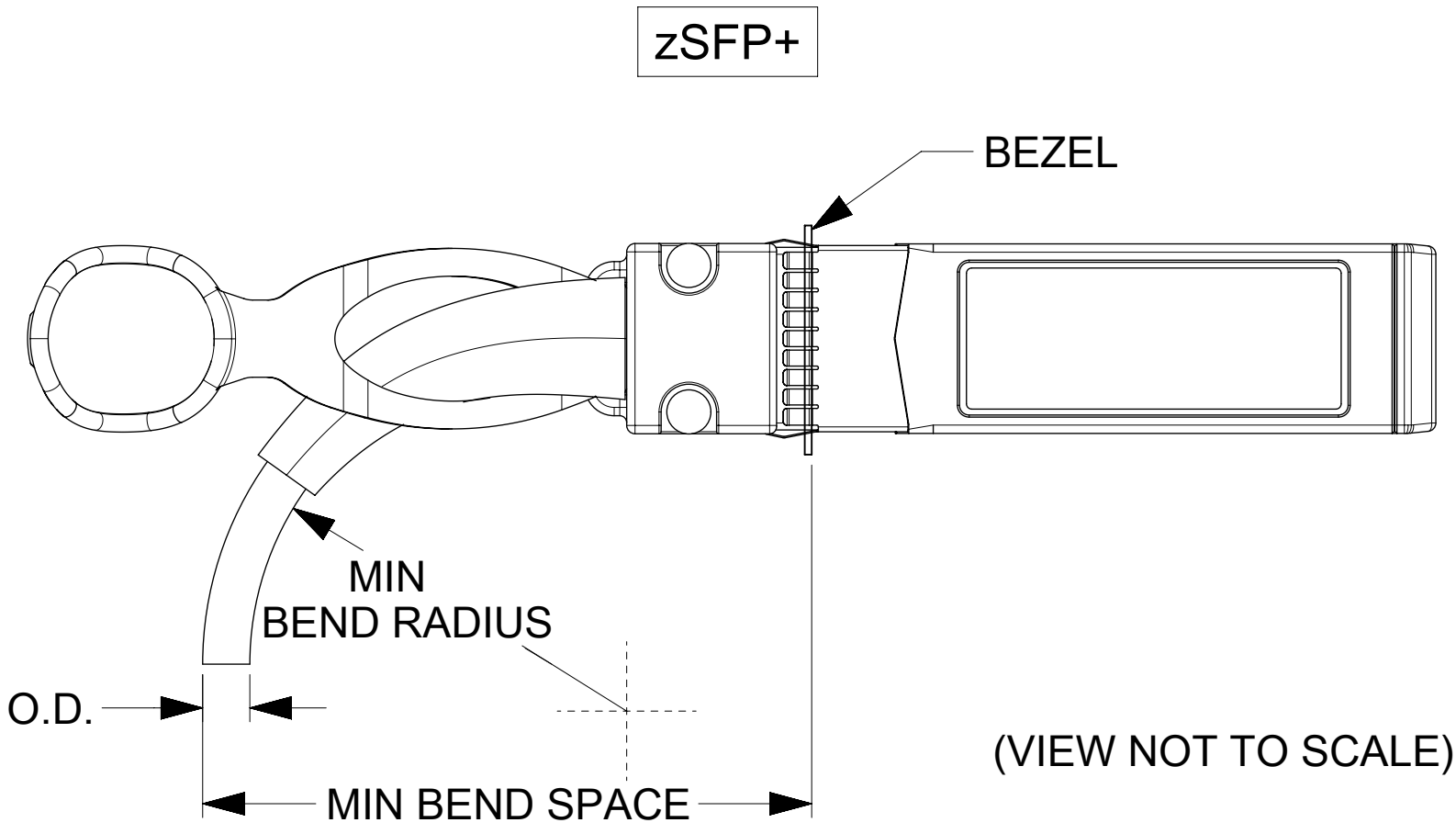
LOW SPEED SIGNALS zQSFP+	
PAD	SIGNAL
08	ModSelL
09	ResetL
10	VccRx
11	SCL
12	SDA
27	ModPrsL
28	IntL
29	VccTx
30	Vcc1
31	LPMODE

LOW SPEED SIGNALS zSFP+	
PAD	SIGNAL
02	Tx_Fault
03	Tx_Disable
04	SDA
05	SCL
06	Mod_ABS
07	RS0
08	Rx_LOS
09	RS1
15	VccR
16	VccT

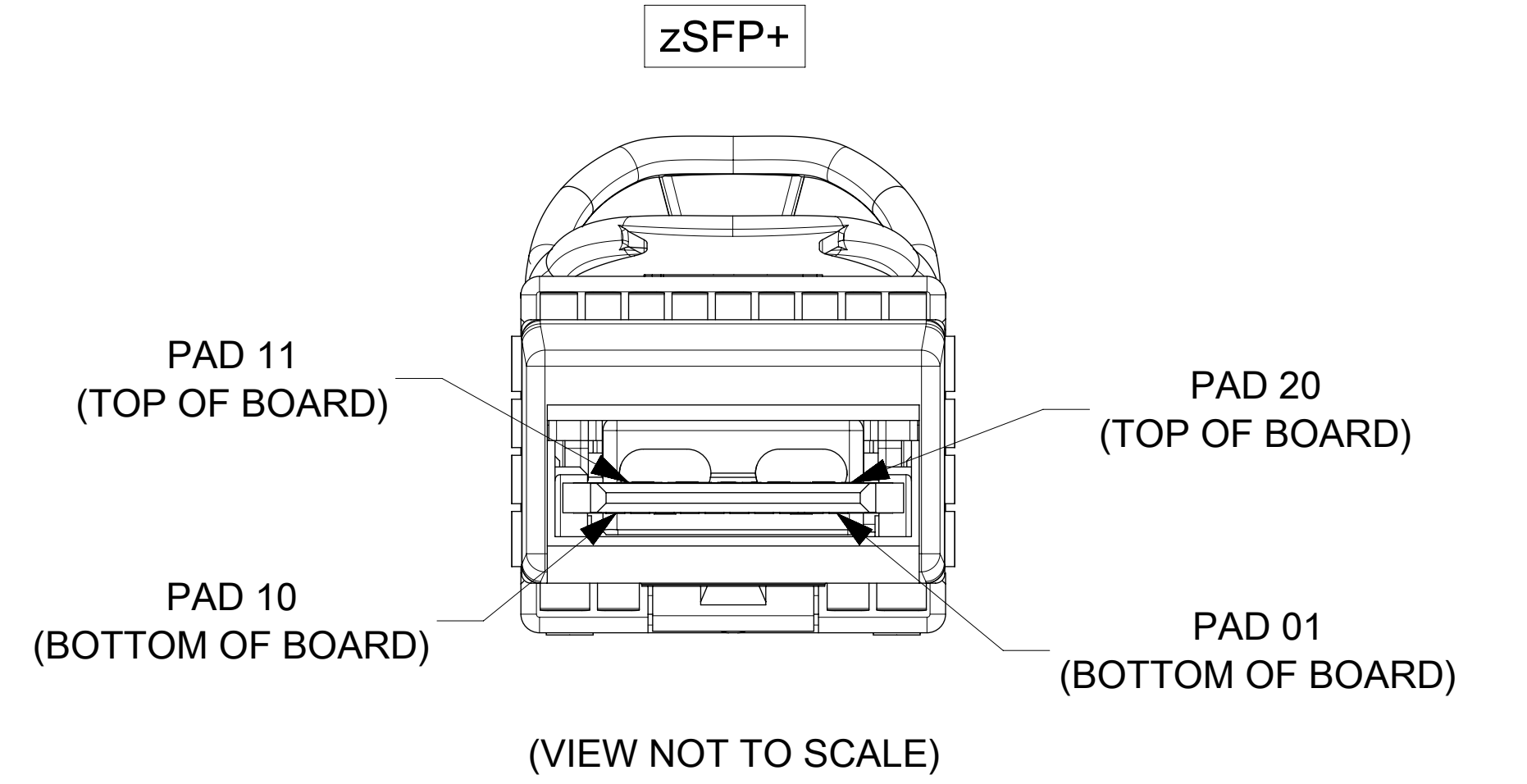
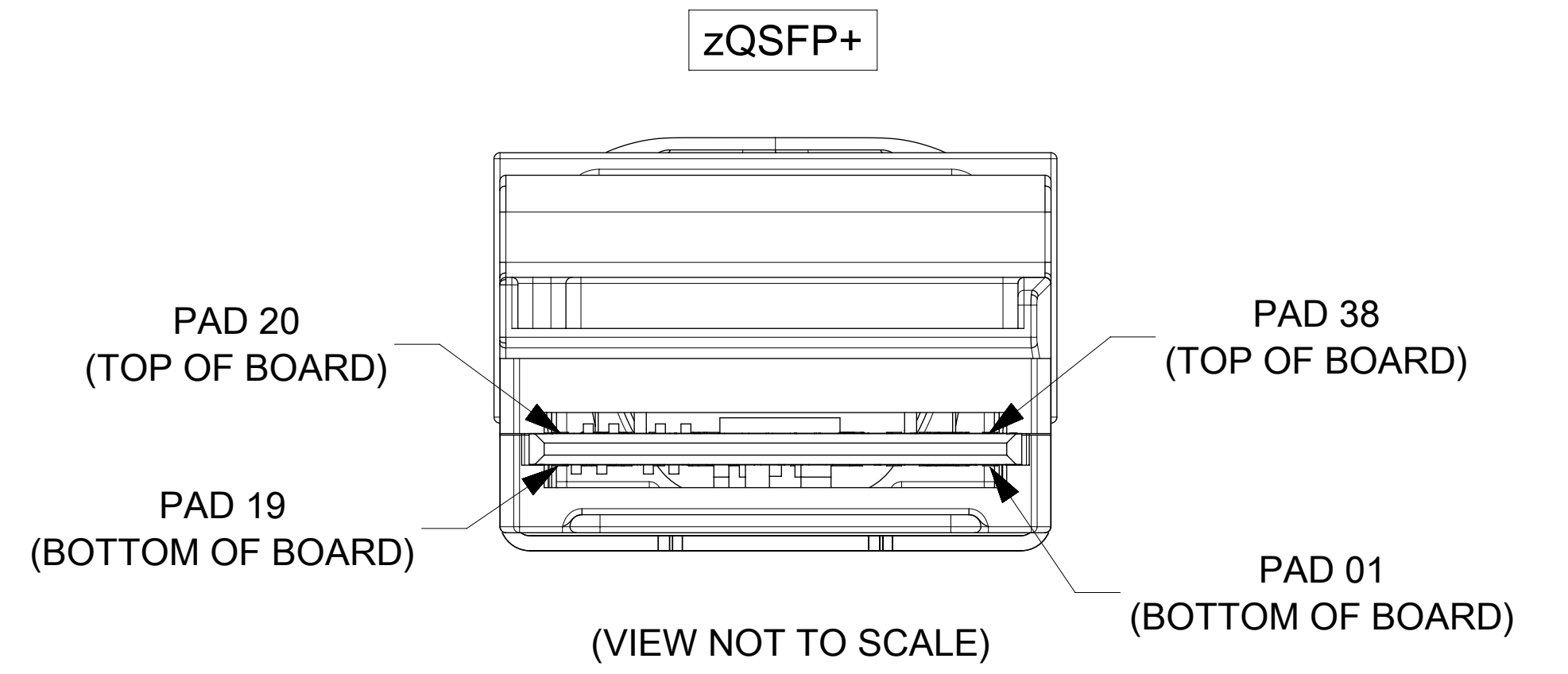
### CABLE BEND RADIUS



CABLE AWG	OD OF CBL BUNDLE	MIN BEND RADIUS (mm)	MIN BEND SPACE (mm)
30	4.60	TBD (UNDER REVIEW)	TBD (UNDER REVIEW)
26	5.80	TBD (UNDER REVIEW)	TBD (UNDER REVIEW)



CABLE AWG	OD	MIN BEND RADIUS (mm)	MIN BEND SPACE (mm)
30	4.60	23	40
26	5.80	29	48

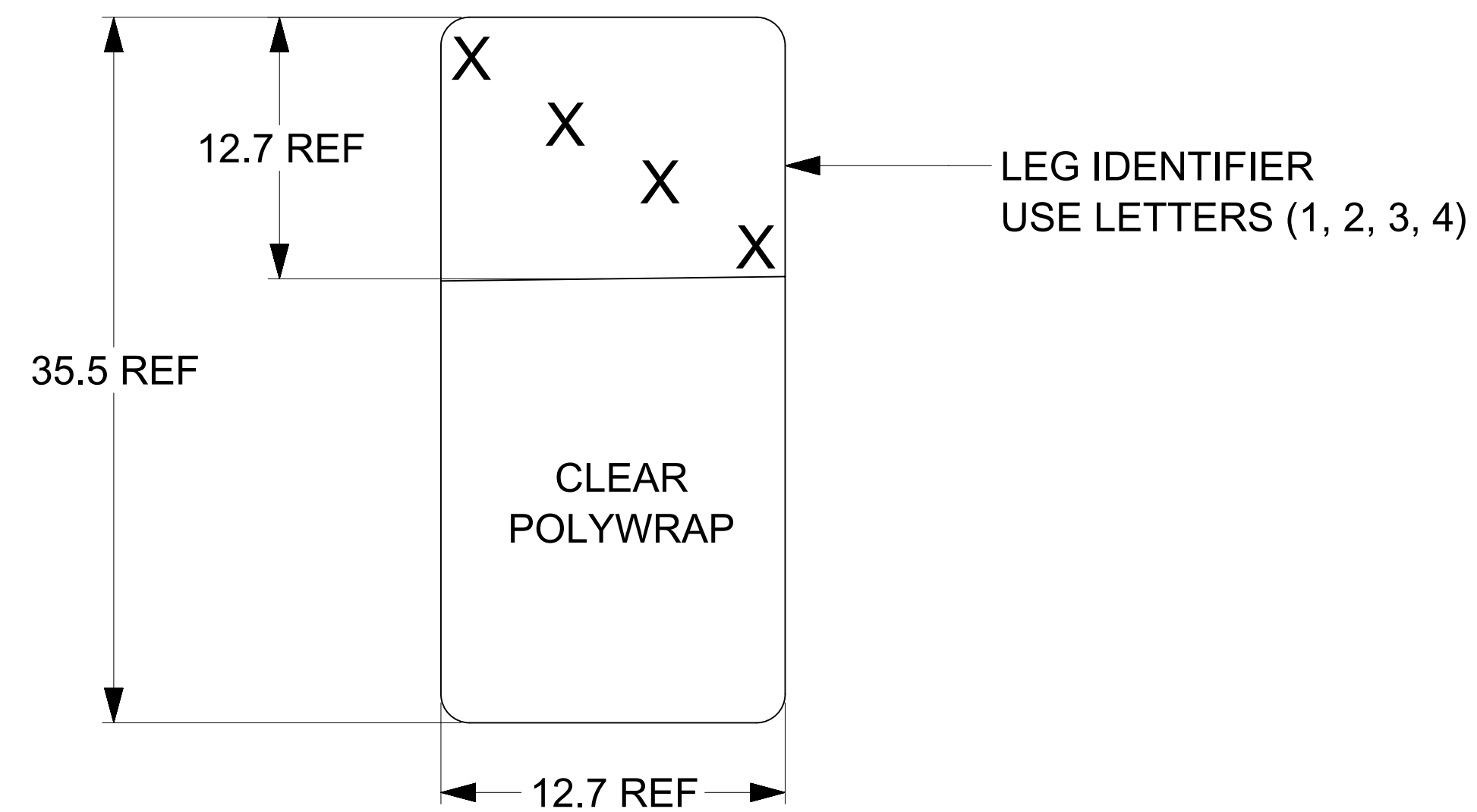


LEGEND:  
 ---- = DRAIN LINES  
 ---> = TRANSMIT TO RECEIVE ON HIGH SPEED CIRCUITS

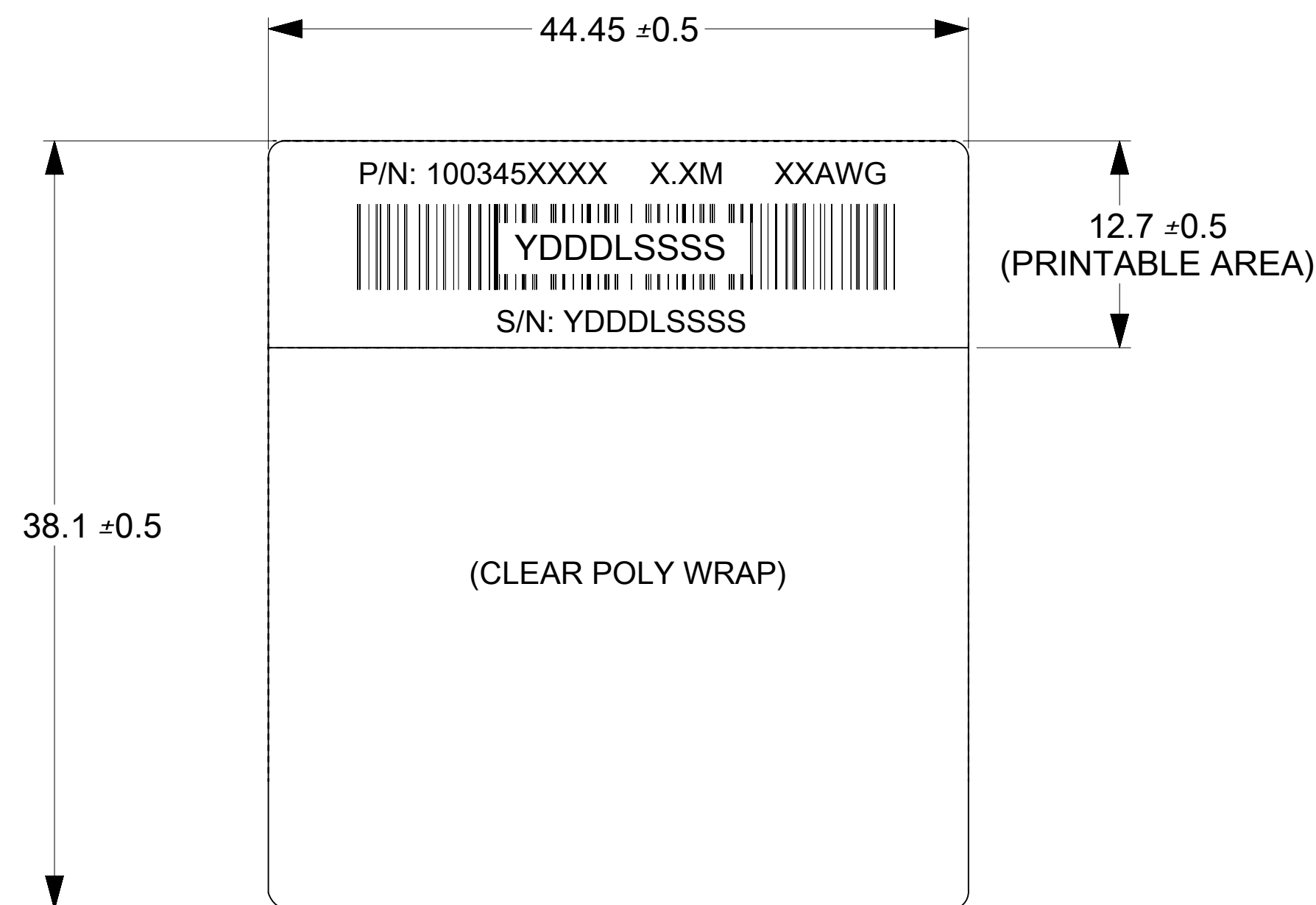
NOTES:  
 1. DC BLOCKING CAPS ON RECIEVE SIDE ONLY  
 2. CABLE COILED AND PACKAGED IN BEST FIT ESD BAG AND SEALED WITH ESD LABEL FOR SHIPPING.

SYMBOLS	THIS DRAWING CONTAINS INFORMATION THAT IS PROPRIETARY TO MOLEX ELECTRONIC TECHNOLOGIES, LLC AND SHOULD NOT BE USED WITHOUT WRITTEN PERMISSION		CURRENT REV DESC: UPDATED LEG LABEL		
	mm	SCALE			
▽ = 0	GENERAL TOLERANCES (UNLESS SPECIFIED)		EC NO: 607196		ZQSFP+ TO 4ZSFP+ 25G CBL ASSY
▽ = 0	ANGULAR TOL ± 1.0°		DRWN: GSARVADE 2018/11/02		
▽ = 0	4 PLACES ±		CHK'D: GSARVADE 2018/11/08		PRODUCT CUSTOMER DRAWING
▽ = 0	3 PLACES ±		APPR: KNAGANNA 2018/11/08		
▽ = 0	2 PLACES ± 0.13		INITIAL REVISION:		DOCUMENT NUMBER
▽ = 0	1 PLACE ± 0.25		DRWN: MTAMBRALLI 2017/05/05		
▽ = 0	0 PLACES ±		APPR: ARAYBURN 2017/06/23		1003451056
□ = 0	DRAFT WHERE APPLICABLE MUST REMAIN WITHIN DIMENSIONS		THIRD ANGLE PROJECTION	DRAWING	SERIES
▽ = 0				D-SIZE	100345
			MATERIAL NUMBER	CUSTOMER	SHEET NUMBER
			SEE PN TABLE	GENERAL MARKET	2 OF 3

**LEG ID LABEL**



**LABEL DETAILS**



P/N: 100345XXXX - MOLEX PART NUMBER (SEE P/N TABLE)

X.XM - CABLE LENGTH IN METERS (EXAMPLES - 0.5M, 1.0M)

S/N: YDDLSSSS - SERIAL NUMBER

Y - YEAR, THE LAST DIGIT OF YEAR

DDD - DAY OF THE YEAR

L - LOCATION

1 - USA

2 - MEXICO

3 - CHINA

4 - PHILIPPINES

SSSS - SERIAL NUMBER (0001-9999)

SYMBOLS		THIS DRAWING CONTAINS INFORMATION THAT IS PROPRIETARY TO MOLEX ELECTRONIC TECHNOLOGIES, LLC AND SHOULD NOT BE USED WITHOUT WRITTEN PERMISSION		CURRENT REV DESC: UPDATED LEG LABEL		<b>molex</b>	
DIMENSION UNITS	SCALE			DOC TYPE	DOC PART	REVISION	
= 0	mm			PSD	000	F	
= 0	GENERAL TOLERANCES (UNLESS SPECIFIED)			ZQSFP+ TO 4ZSFP+ 25G CBL ASSY			
= 0	ANGULAR TOL ± 1.0°			PRODUCT CUSTOMER DRAWING			
= 0	4 PLACES ±			DOCUMENT NUMBER		1003451056	
= 0	3 PLACES ±			DOC TYPE		PSD	
= 0	2 PLACES ± 0.13			DOC PART		000	
= 0	1 PLACE ± 0.25			REVISION		F	
= 0	0 PLACES ±			INITIAL REVISION:			
= 0	DRAFT WHERE APPLICABLE MUST REMAIN WITHIN DIMENSIONS			DRWN: MTAMBRALLI 2017/05/05			
= 0	THIRD ANGLE PROJECTION			APPR: ARAYBURN 2017/06/23			
= 0	DRAWING			SERIES		100345	
				MATERIAL NUMBER		SEE PN TABLE	
				CUSTOMER		GENERAL MARKET	
				SHEET NUMBER		3 OF 3	